



US00D788033S

(12) **United States Design Patent** (10) **Patent No.:** **US D788,033 S**
Tiainen (45) **Date of Patent:** **** May 30, 2017**

(54) **CHARGER**

(71) Applicant: **BRIGHTCHARGER EUROPE OY LTD**, Kinkomaa (FI)

(72) Inventor: **Harri Tiainen**, Kinkomaa (FI)

(73) Assignee: **BRIGHTCHARGER EUROPE OY LTD**, Kinkomaa (FI)

(**) Term: **15 Years**

(21) Appl. No.: **35/500,634**

(22) Filed: **Aug. 24, 2015**

(80) **Hague Agreement Data**

Int. Filing Date: **Aug. 24, 2015**

Int. Reg. No.: **DM/087859**

Int. Reg. Date: **Aug. 24, 2015**

Int. Reg. Pub. Date: **Feb. 26, 2016**

(51) **LOC (10) Cl.** **13-02**

(52) **U.S. Cl.**
USPC **D13/107**

(58) **Field of Classification Search**

USPC D13/107, 108, 137.1, 138.1; 244/3.16;
220/4.25; 428/911

CPC F41G 3/2616; A47K 5/12; F41H 5/0414

See application file for complete search history.

(56) **References Cited**

U.S. PATENT DOCUMENTS

4,309,746 A * 1/1982 Rushworth F41G 3/2616
244/3.16

4,921,131 A * 5/1990 Binderbauer A47K 5/12
220/4.25

6,112,635 A * 9/2000 Cohen F41H 5/0414
428/911

D481,355 S * 10/2003 Lee D13/108

D587,191 S * 2/2009 Kim D13/108

- D614,130 S * 4/2010 Nylen D13/108
- D617,276 S * 6/2010 Fahrendorff D13/138.1
- D621,349 S * 8/2010 Nylen D13/108
- D625,266 S * 10/2010 Bau D13/108
- D634,270 S * 3/2011 Brickstad D13/108
- D656,895 S * 4/2012 Fitch D13/108
- D667,785 S * 9/2012 Ueda D13/107
- D704,635 S * 5/2014 Fourquet D13/108
- D718,242 S * 11/2014 Aspinall D13/144
- D741,257 S * 10/2015 Sumida D13/108
- D743,333 S * 11/2015 Nomi D13/108
- D747,681 S * 1/2016 Lee D13/108
- D760,648 S * 7/2016 Lee D13/108
- D763,194 S * 8/2016 Liu D13/144
- D763,794 S * 8/2016 Akana D13/137.1
- D773,392 S * 12/2016 Paschke D13/108

* cited by examiner

Primary Examiner — Rhea Shields

(74) *Attorney, Agent, or Firm* — Banner & Witcoff, Ltd.

(57) **CLAIM**

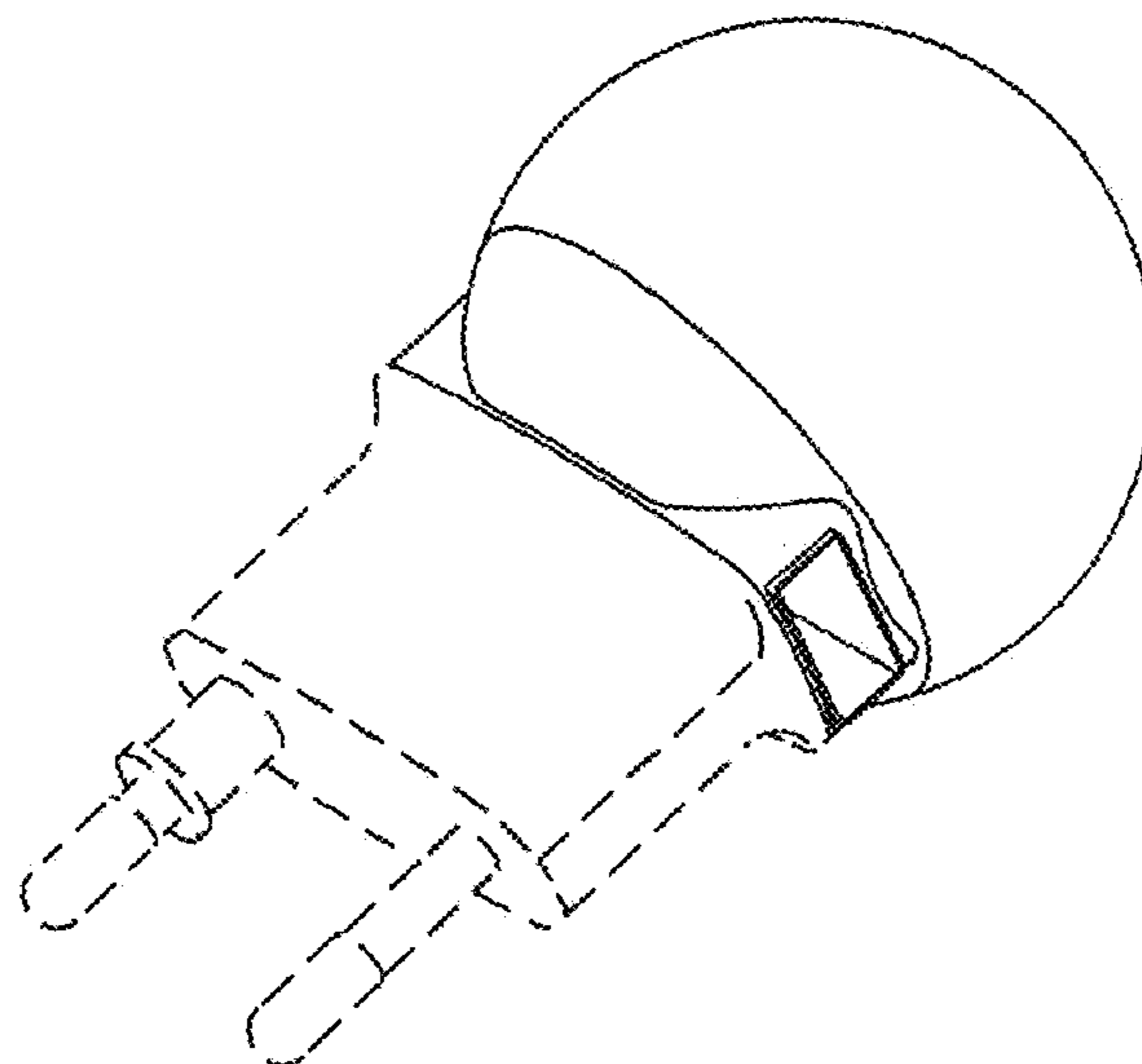
The ornamental design for a charger, as shown and described.

DESCRIPTION

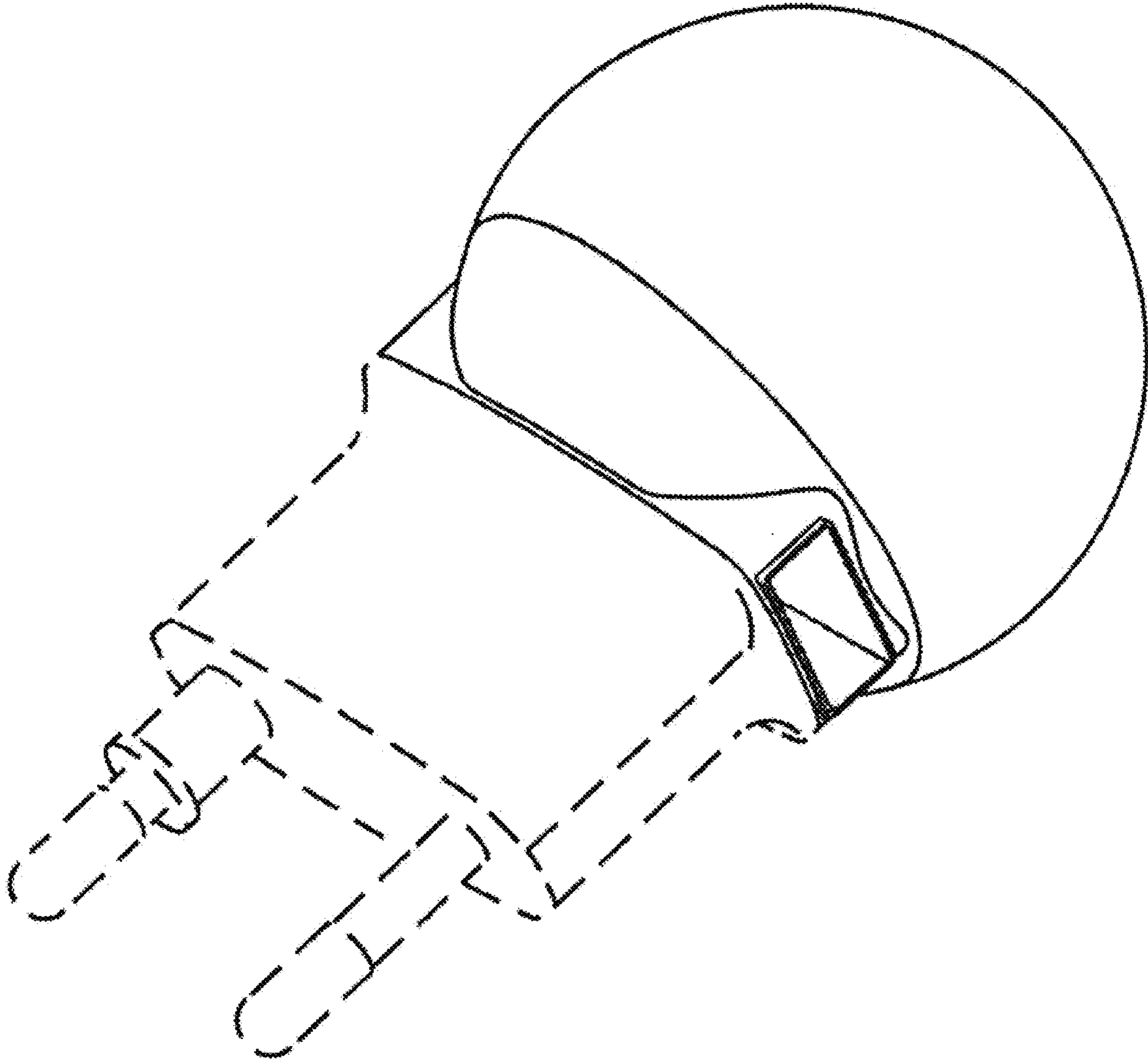
- 1. Charger
- 1.1 : Perspective front view
- 1.2 : Perspective rear view
- 1.3 : Front view
- 1.4 : Rear view
- 1.5 : Top plan view
- 1.6 : Right side view
- 1.7 : Left side view

In the drawings, the broken lines are for the purpose of illustrating environment only and form no part of the claimed design.

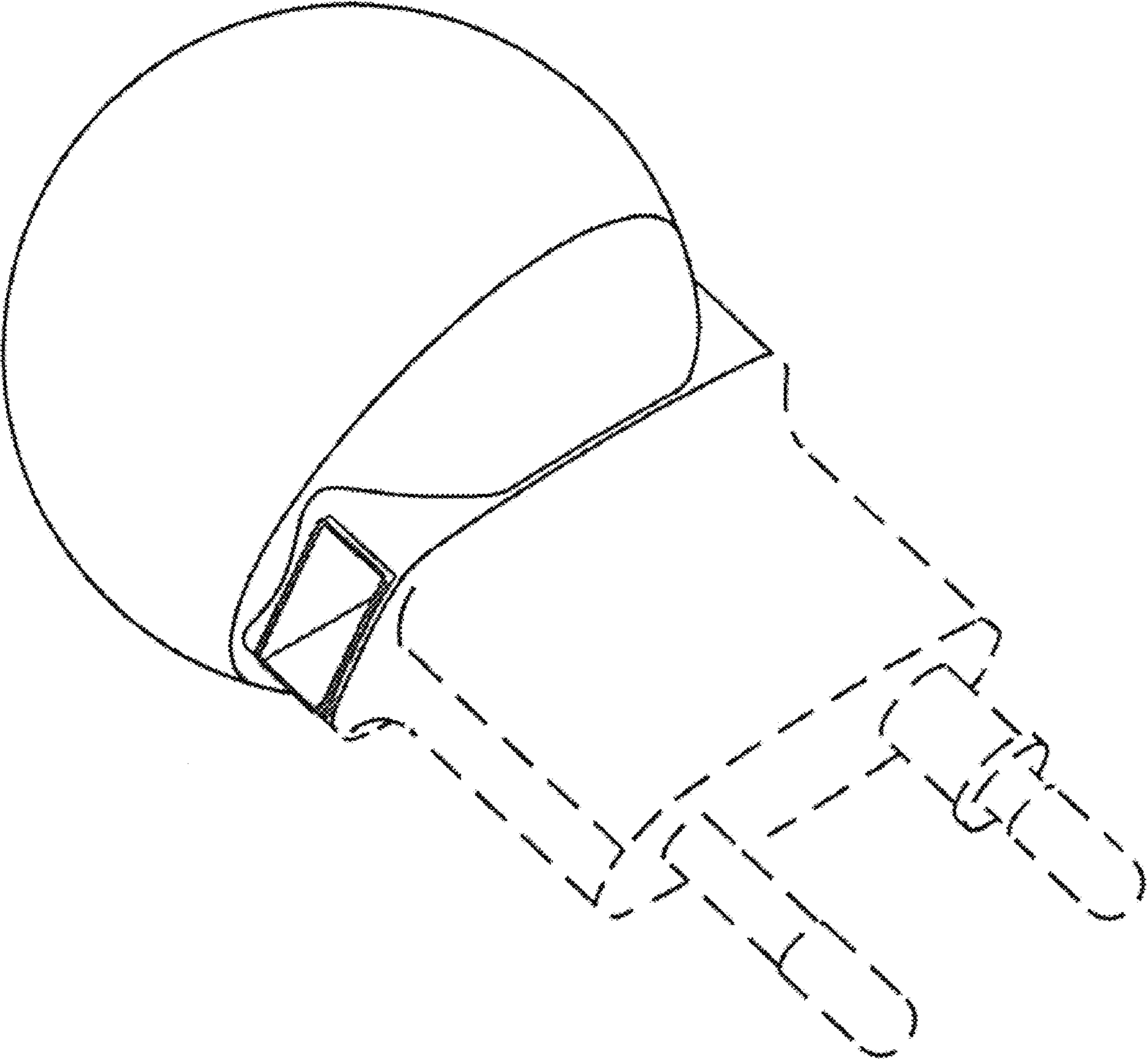
1 Claim, 7 Drawing Sheets



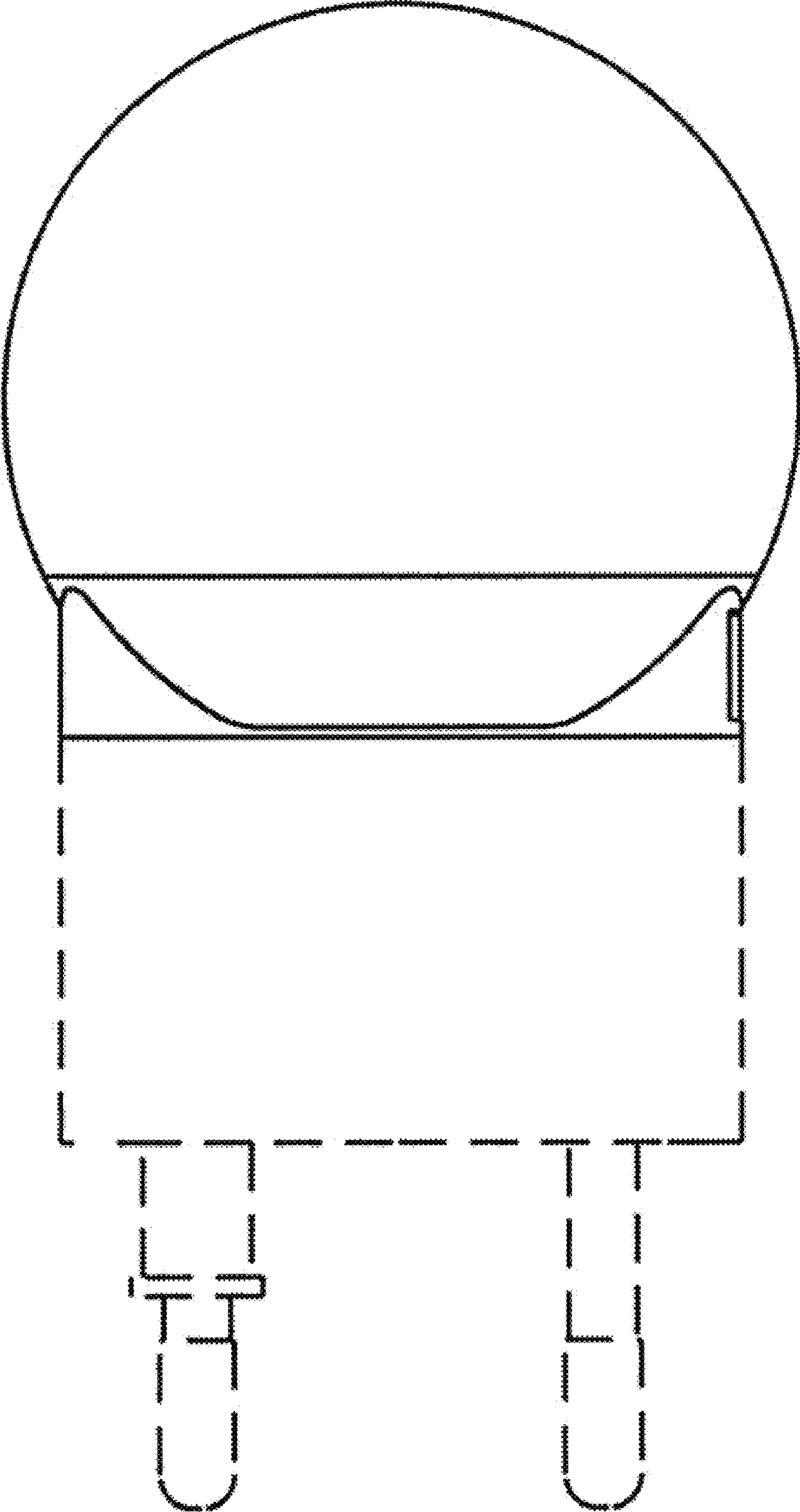
1.1



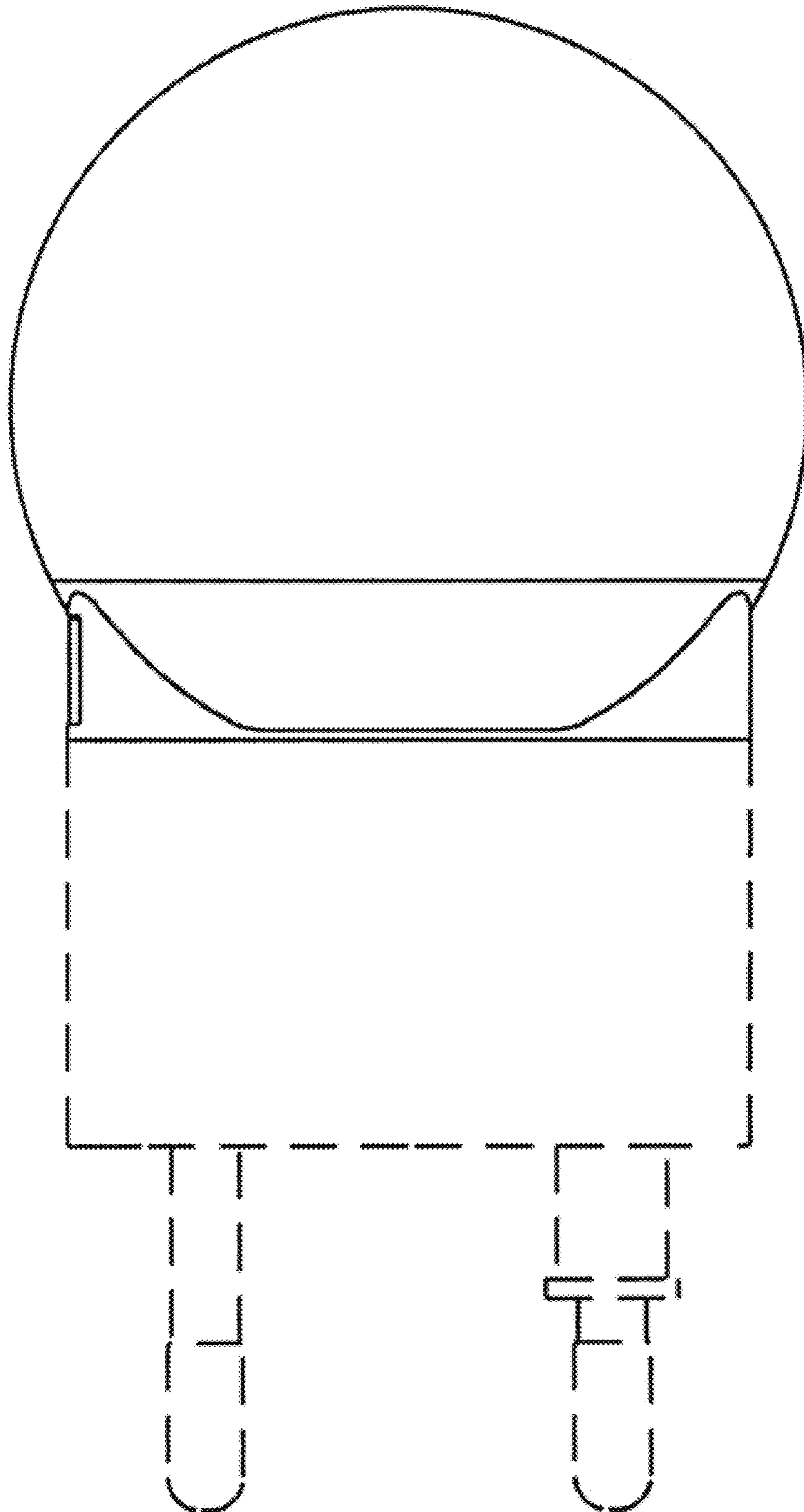
1.2



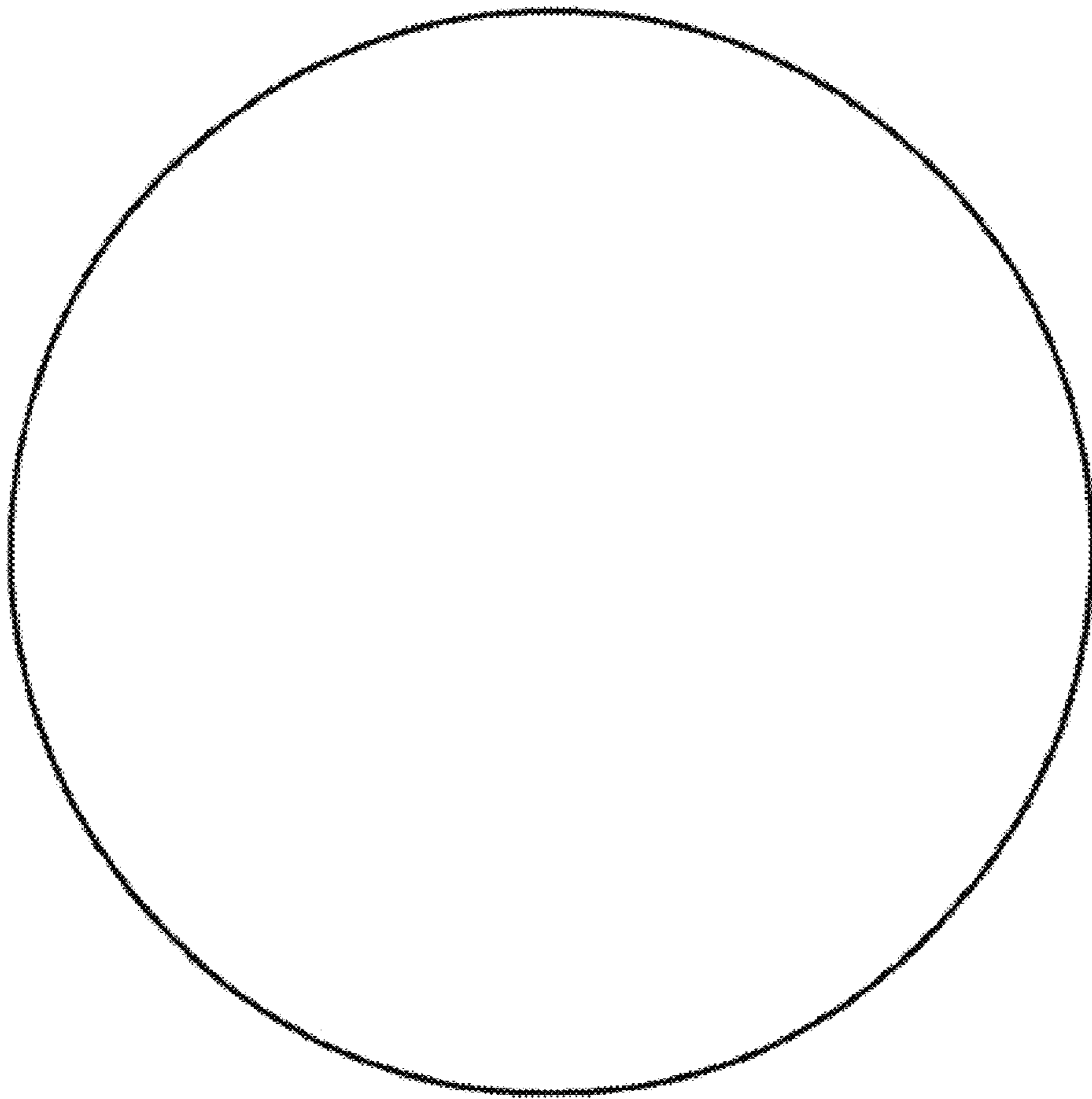
1.3



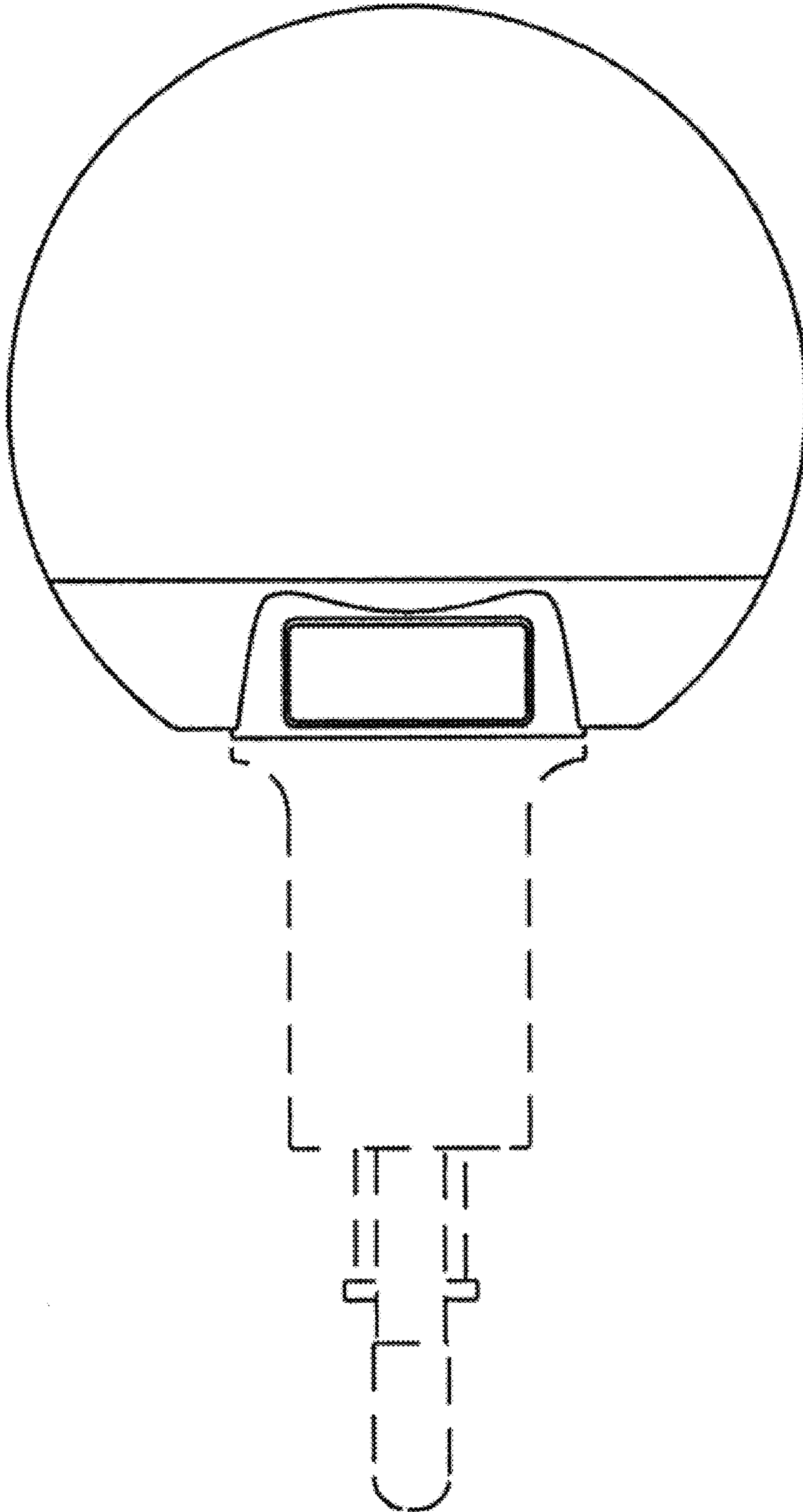
1.4



1.5



1.6



1.7

