



US00D788030S

(12) **United States Design Patent**
Park et al.

(10) **Patent No.:** **US D788,030 S**

(45) **Date of Patent:** **** May 30, 2017**

(54) **BATTERY FOR PORTABLE TERMINAL**

(71) Applicant: **LG Chem, Ltd.**, Seoul (KR)

(72) Inventors: **Byung-O Park**, Daejeon (KR); **In-Gu An**, Daejeon (KR); **Hyung-Ku Yun**, Daejeon (KR); **Dong-Myung Kim**, Daejeon (KR)

(73) Assignee: **LG Chem, Ltd.** (KR)

(**) Term: **15 Years**

(21) Appl. No.: **29/539,204**

(22) Filed: **Sep. 11, 2015**

(30) **Foreign Application Priority Data**

Jan. 13, 2015 (KR) 30-2015-0001697

(51) **LOC (10) Cl.** **13-02**

(52) **U.S. Cl.**
USPC **D13/103**

(58) **Field of Classification Search**

USPC D13/102-110, 118-119, 184, 199, 120,
D13/154, 146, 147, 133; D14/356, 432
(Continued)

(56) **References Cited**

U.S. PATENT DOCUMENTS

D709,822 S * 7/2014 Kwon D13/103
D715,732 S * 10/2014 Kwon D13/103
D716,722 S * 11/2014 Kwon D13/103
D724,014 S * 3/2015 Kwon D13/103
D724,016 S * 3/2015 Kwon D13/103
D724,019 S * 3/2015 Kwon D13/103
(Continued)

FOREIGN PATENT DOCUMENTS

JP D1094027 12/2000
JP D1094028 12/2000
JP HD1900333000 10/2007

OTHER PUBLICATIONS

Web.archive.org: Customcells High energy battery. Published Jun. 29, 2014. Retrieved from the internet at <<https://web.archive.org/>

web/20140629150005/http://en.customcells.de/>, Jan. 11, 2017. 1 page.*

Primary Examiner — Rosemary K Tarcza

Assistant Examiner — Christy Nemeth

(74) *Attorney, Agent, or Firm* — Lerner, David, Littenberg, Krumholz & Mentlik, LLP

(57) **CLAIM**

The ornamental design for a battery for portable terminal, as shown and described.

DESCRIPTION

FIG. 1 is a front perspective view of a battery for portable terminal according to a first embodiment of our design;

FIG. 2 is a front view thereof;

FIG. 3 is a rear view thereof;

FIG. 4 is a left side view thereof;

FIG. 5 is a right side view thereof;

FIG. 6 is a top view thereof;

FIG. 7 is a bottom view thereof;

FIG. 8 is a front perspective view of a battery for portable terminal according to a second embodiment of our design;

FIG. 9 is a front view thereof;

FIG. 10 is a rear view thereof;

FIG. 11 is a left side view thereof;

FIG. 12 is a right side view thereof;

FIG. 13 is a top view thereof;

FIG. 14 is a bottom view thereof;

FIG. 15 is a front perspective view of a battery for portable terminal according to a third embodiment of our design;

FIG. 16 is a front view thereof;

FIG. 17 is a rear view thereof;

FIG. 18 is a left side view thereof;

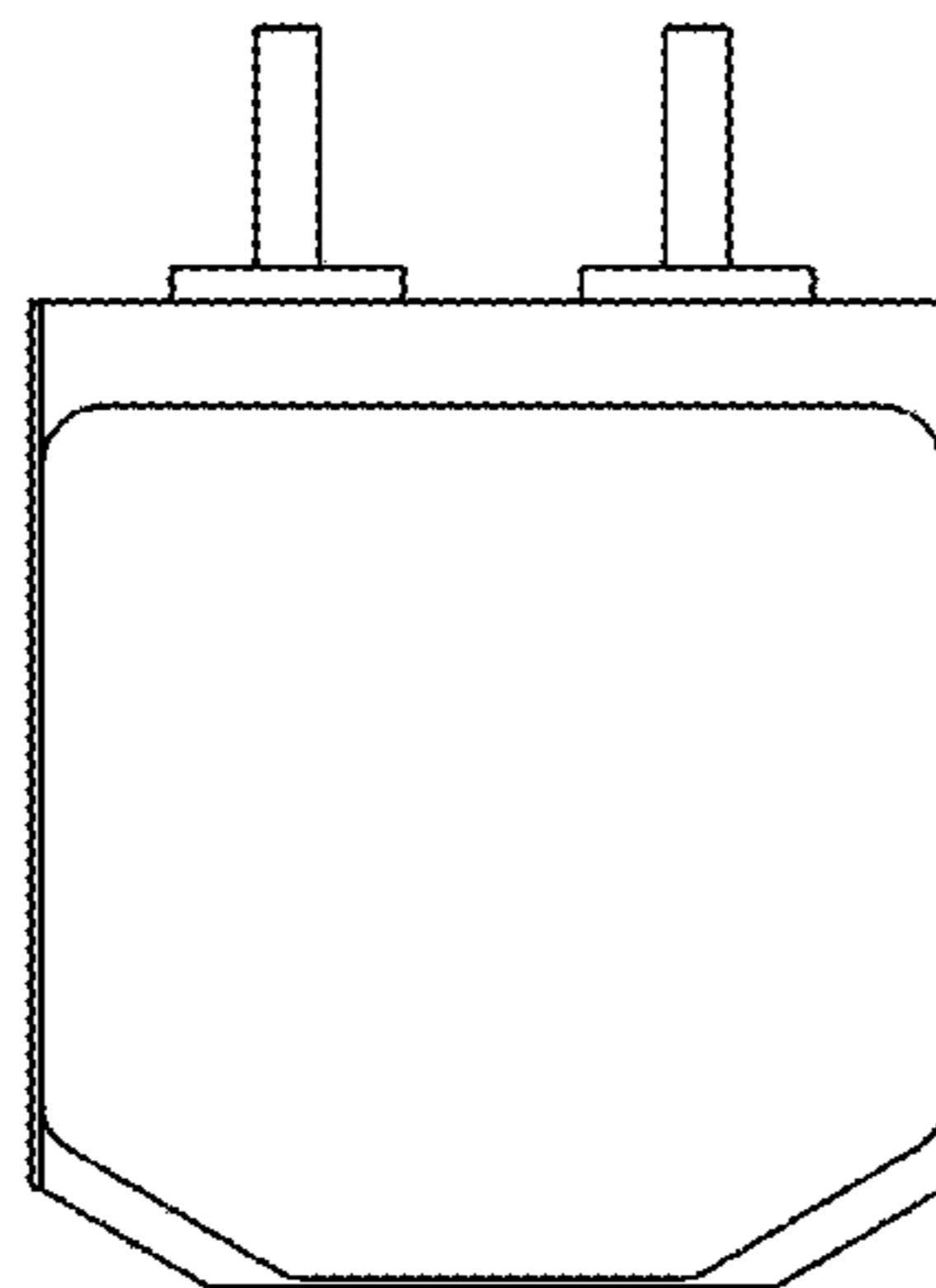
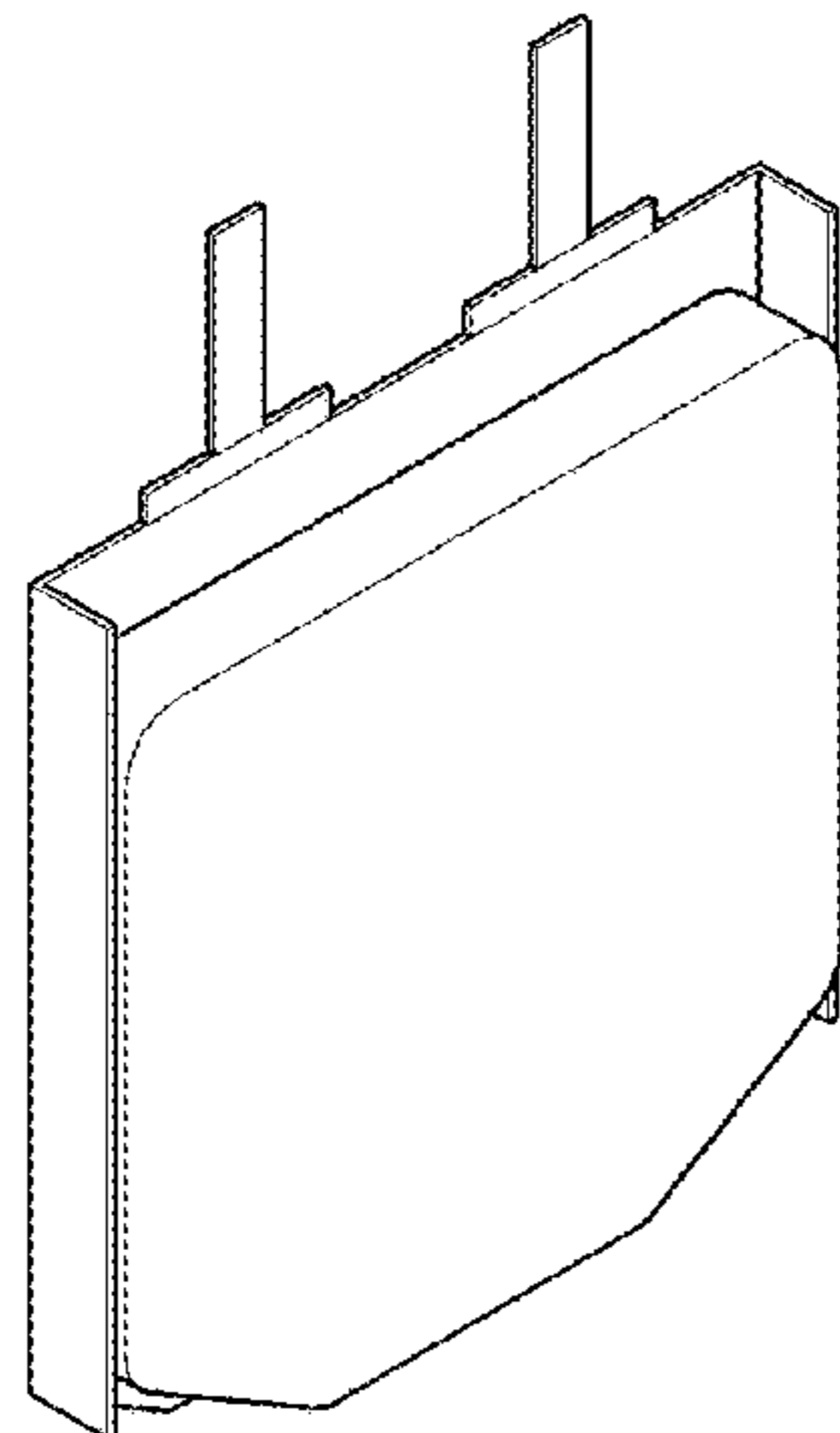
FIG. 19 is a right side view thereof;

FIG. 20 is a top view thereof; and,

FIG. 21 is a bottom view thereof.

The broken lines in the drawings illustrate unclaimed elements of the battery for portable terminal, and form no part of the claimed design. The dash-dot lines illustrate the boundaries of the claim, and form no part of the claimed design.

1 Claim, 9 Drawing Sheets



(58) **Field of Classification Search**

CPC Y02E 60/12; Y02E 60/122; Y02E 60/124;
 Y02E 60/15; H01M 2/02; H01M 2/20;
 H01M 2/022; H01M 2/0202; H01M
 2/0207; H01M 2/0212; H01M 2/1061;
 H01M 2/1022; H01M 2/1055; H01M
 2/1066; H01M 2/105; H01M 2/204;
 H01M 2/202; H01M 2/206; H01M
 10/4257; H01M 10/0436; H01M 10/48;
 H01M 10/44; H01M 10/46; H01M
 10/465; H01M 10/482; H01M 2200/30;
 H01M 2250/30; H01M 2250/40; H02J
 7/00; H02J 7/0003; H02J 7/0011; H02J
 7/0013; H02J 7/0054; H02J 7/0055; H02J
 7/0057; H02J 2007/0062

See application file for complete search history.

(56) **References Cited**

U.S. PATENT DOCUMENTS

D724,020 S * 3/2015 Kwon D13/103
 D724,529 S * 3/2015 Kwon D13/103
 D724,530 S * 3/2015 Kwon D13/103

D724,532 S * 3/2015 Kwon D13/103
 D724,533 S * 3/2015 Kwon D13/103
 9,450,217 B2 * 9/2016 Han H01M 2/0212
 D768,074 S * 10/2016 Park D13/103
 D768,075 S * 10/2016 Park D13/103
 D768,076 S * 10/2016 Park D13/103
 2005/0208344 A1 * 9/2005 Tan G06F 1/263
 429/7
 2007/0128513 A1 * 6/2007 Hatta H01M 2/021
 429/176
 2007/0207379 A1 * 9/2007 Hatta H01M 2/0207
 429/176
 2008/0254348 A1 * 10/2008 Hatta H01M 2/021
 429/94
 2011/0064974 A1 * 3/2011 Heo H01M 2/0469
 429/7
 2013/0059183 A1 * 3/2013 Ahn H01M 2/0217
 429/94
 2013/0196194 A1 * 8/2013 Park H01M 2/0207
 429/72
 2015/0303426 A1 * 10/2015 Kim B29C 65/08
 429/163
 2016/0336553 A1 * 11/2016 Takada H01M 2/30
 2016/0336614 A1 * 11/2016 Hatta B60K 6/46

* cited by examiner

FIG. 1

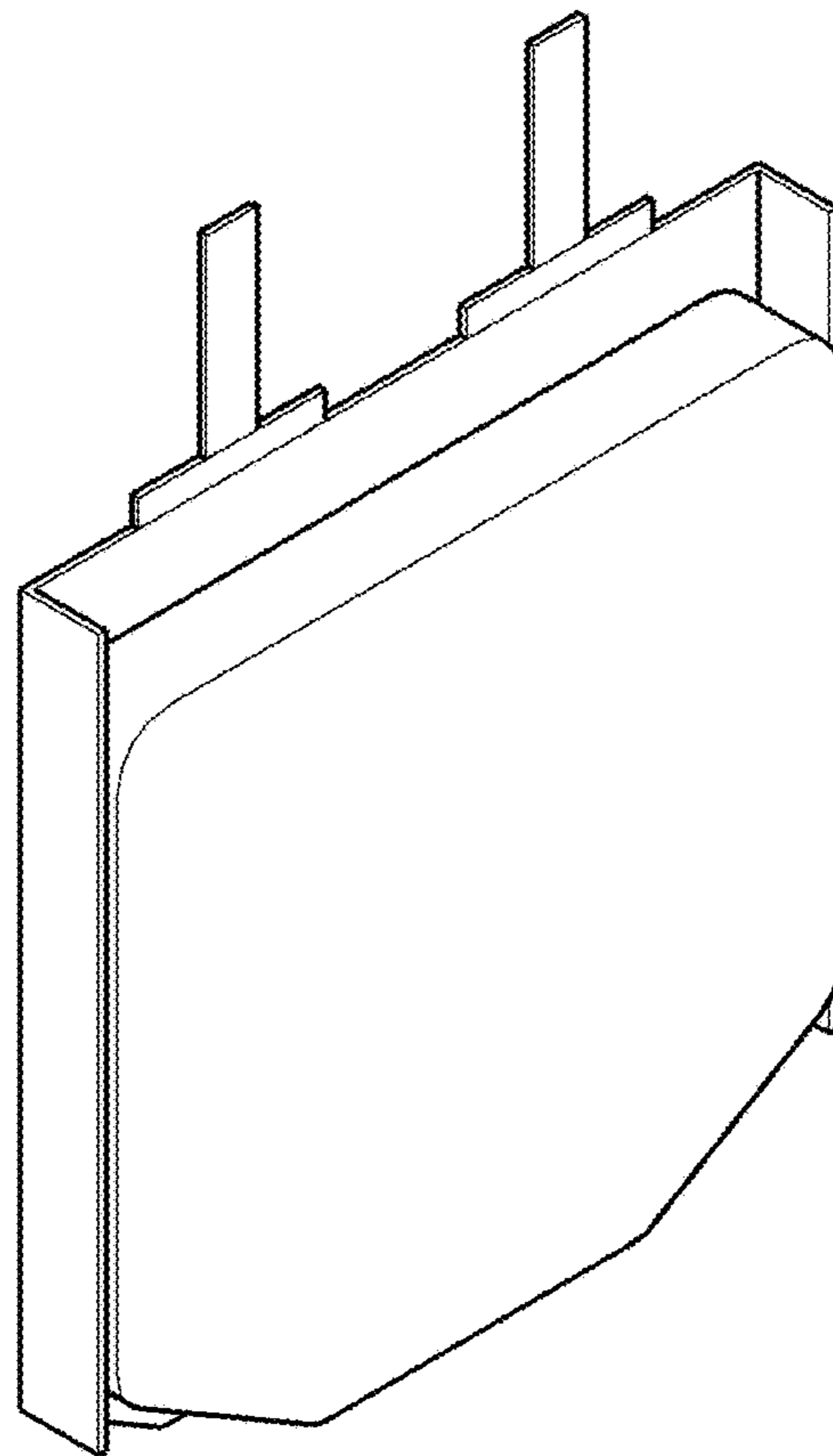


FIG. 2

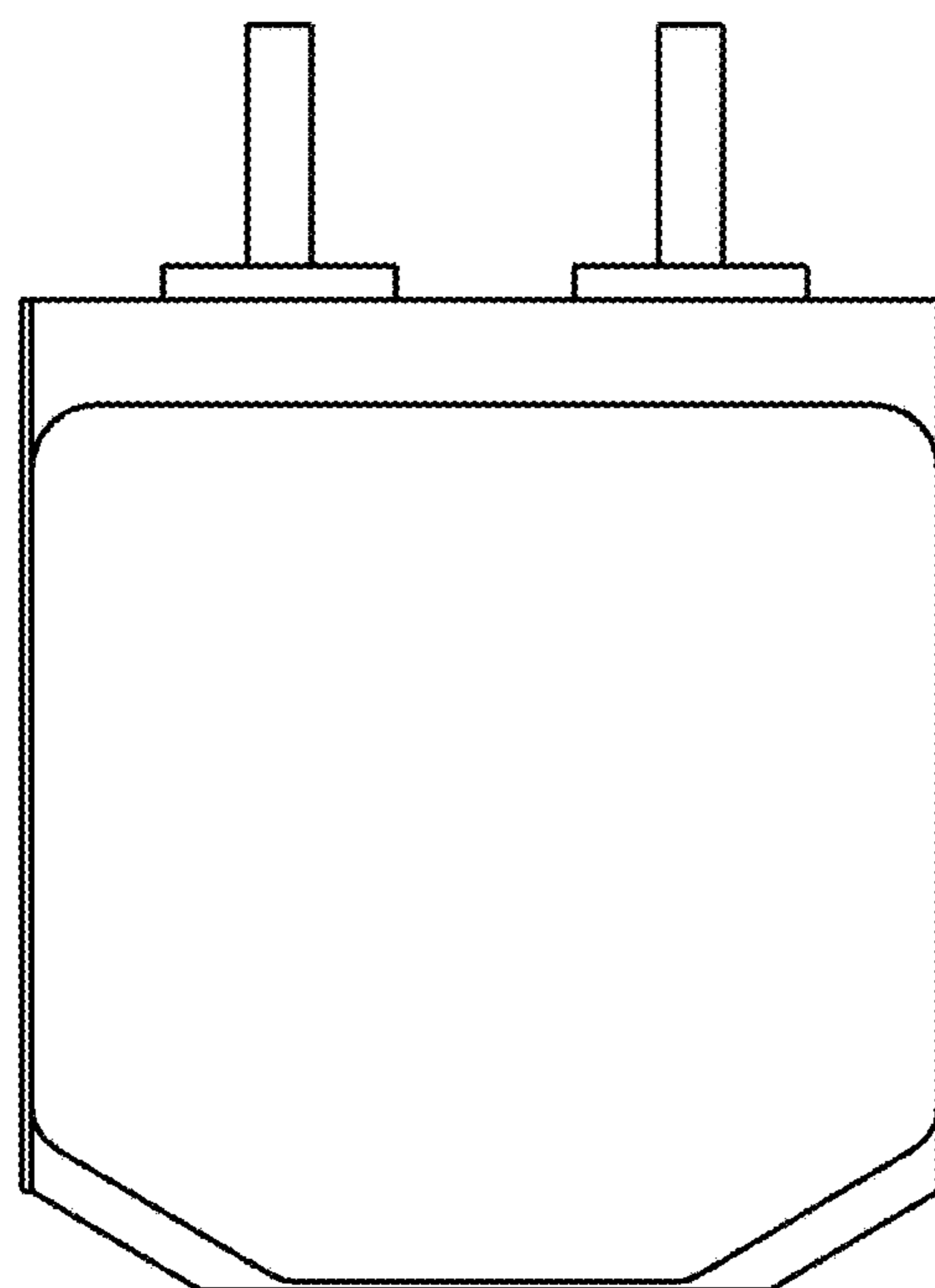


FIG. 3

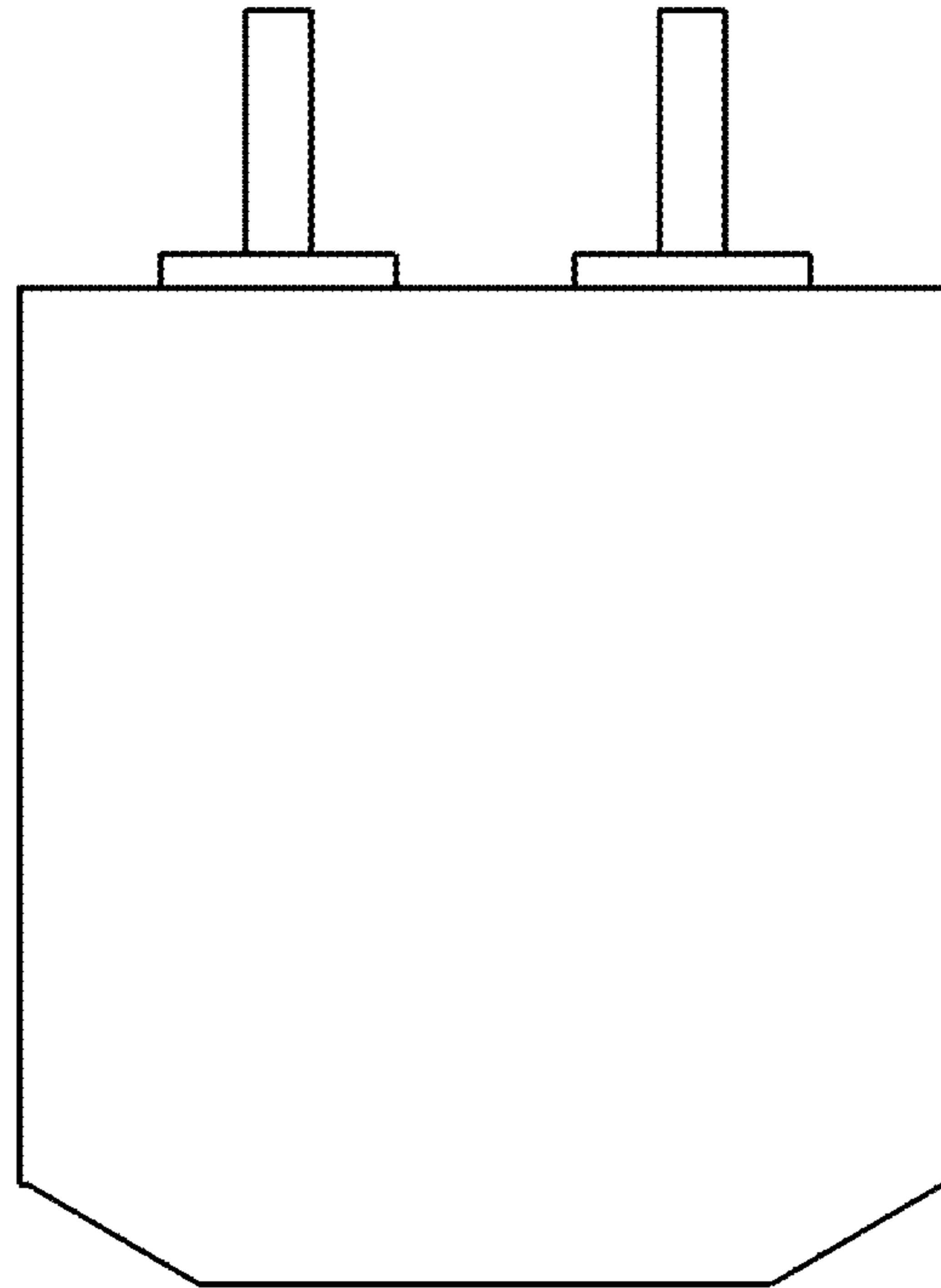


FIG. 4

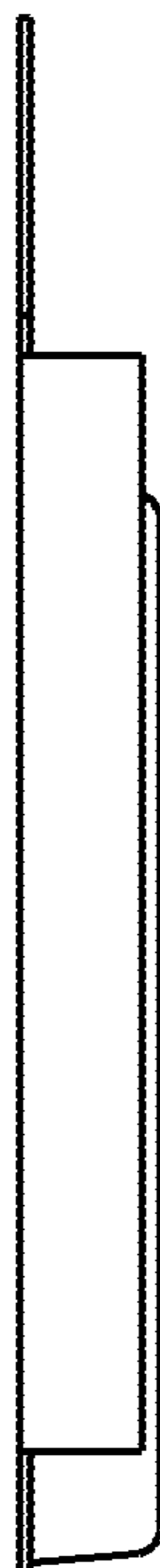


FIG. 5

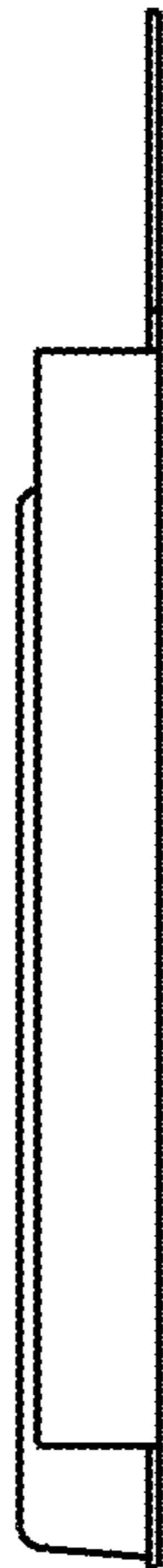


FIG. 6



FIG. 7



FIG. 8

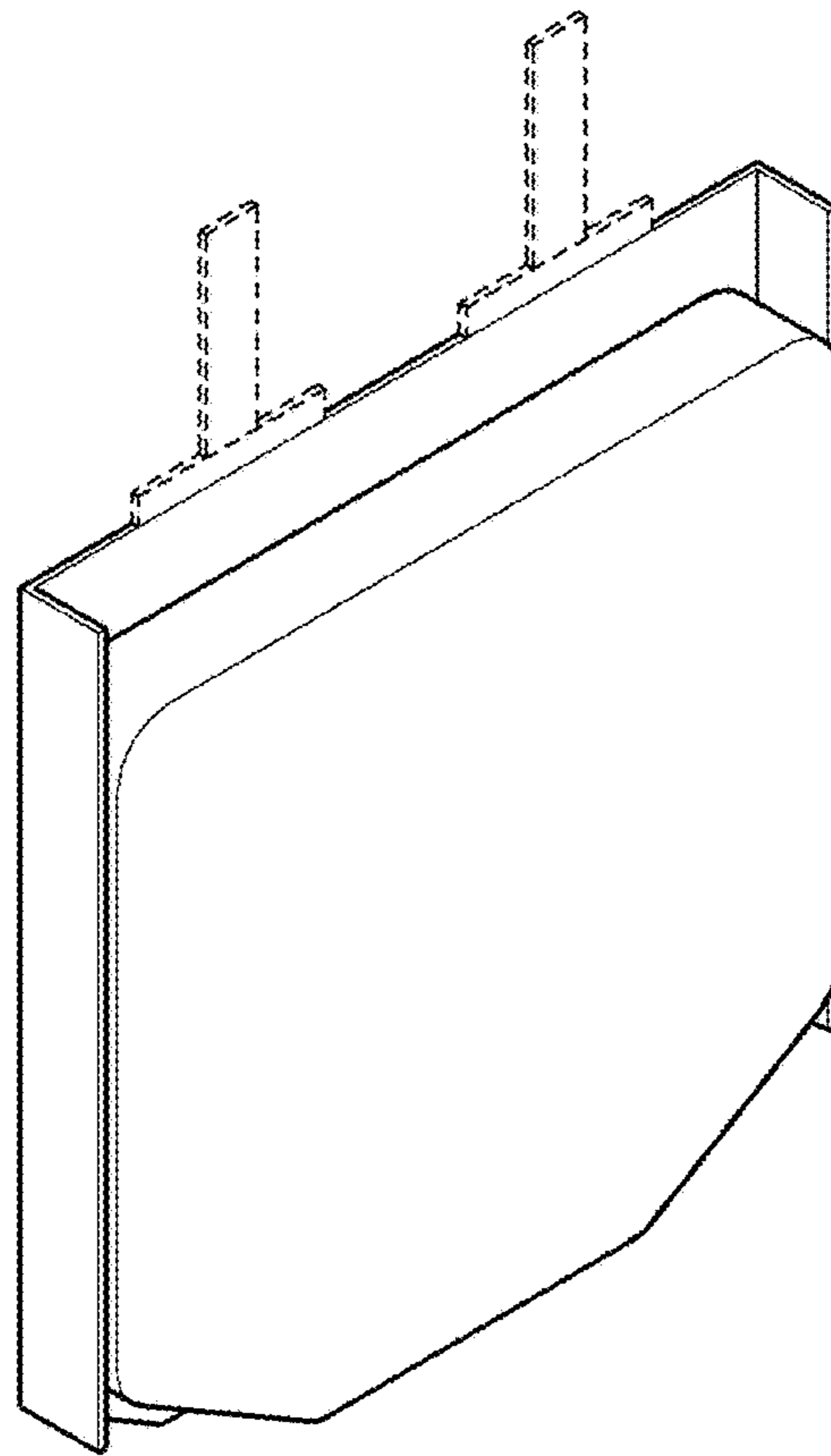


FIG. 9

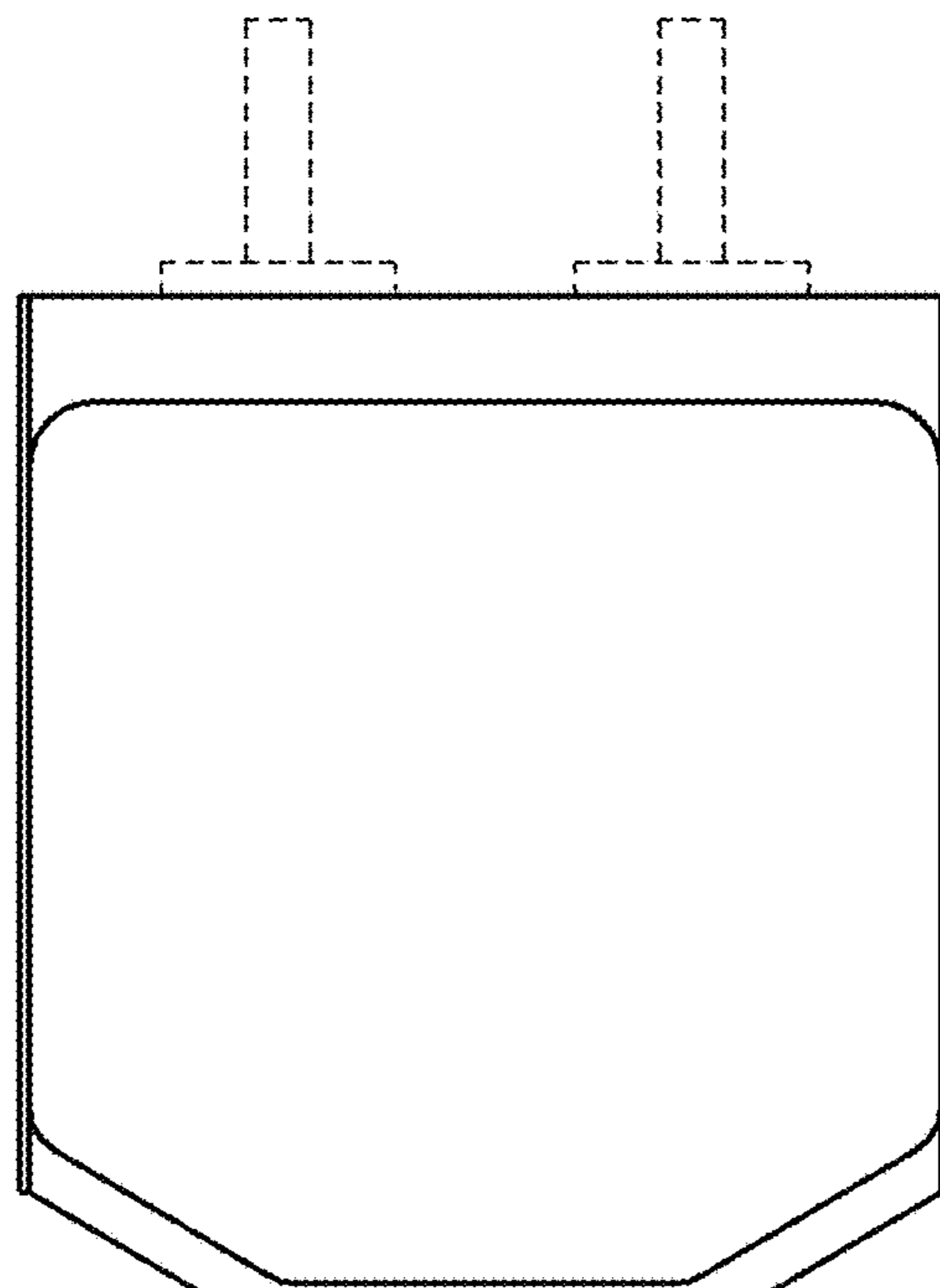


FIG. 10

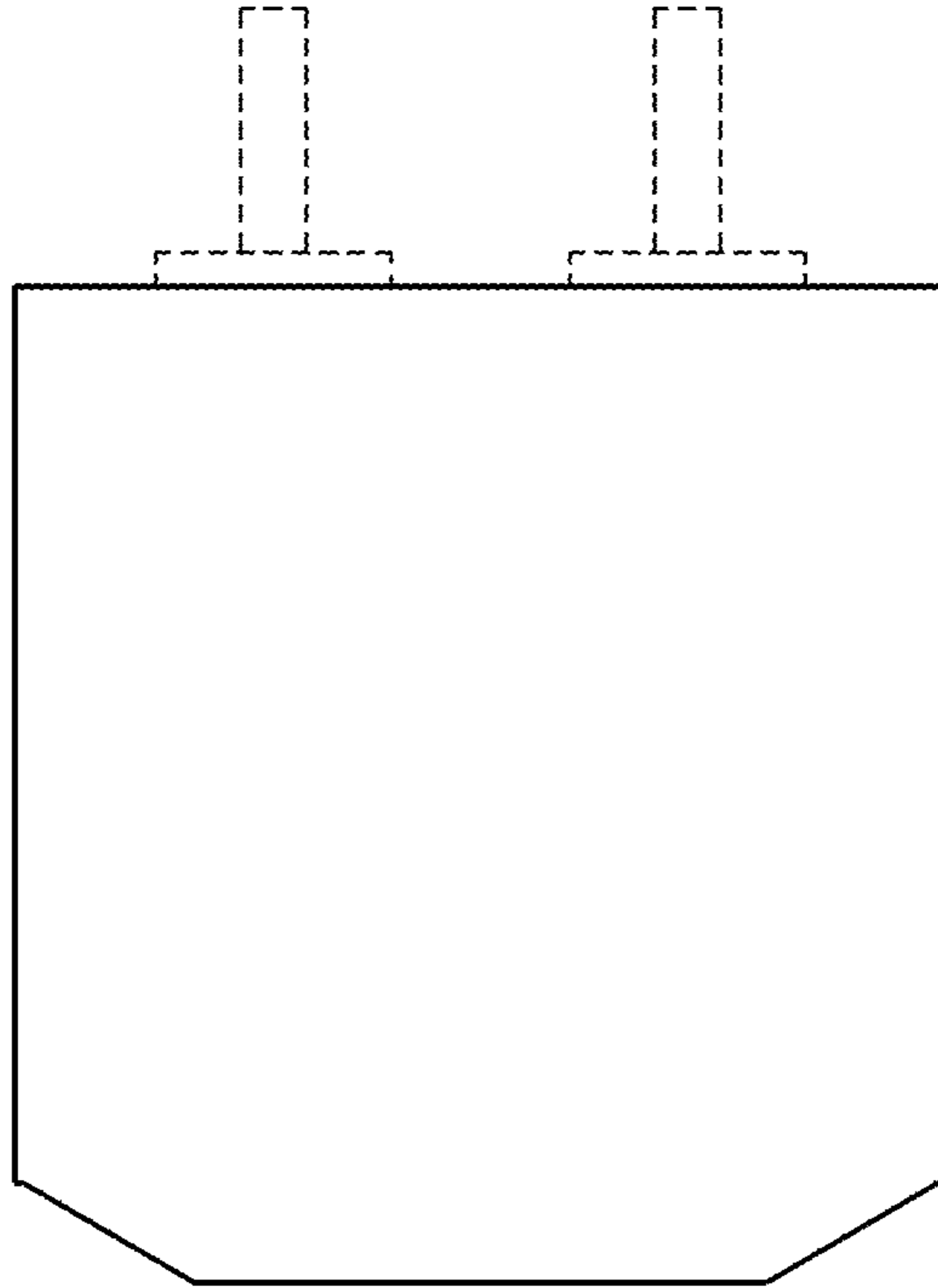


FIG. 11



FIG. 12



FIG. 13



FIG. 14



FIG. 15

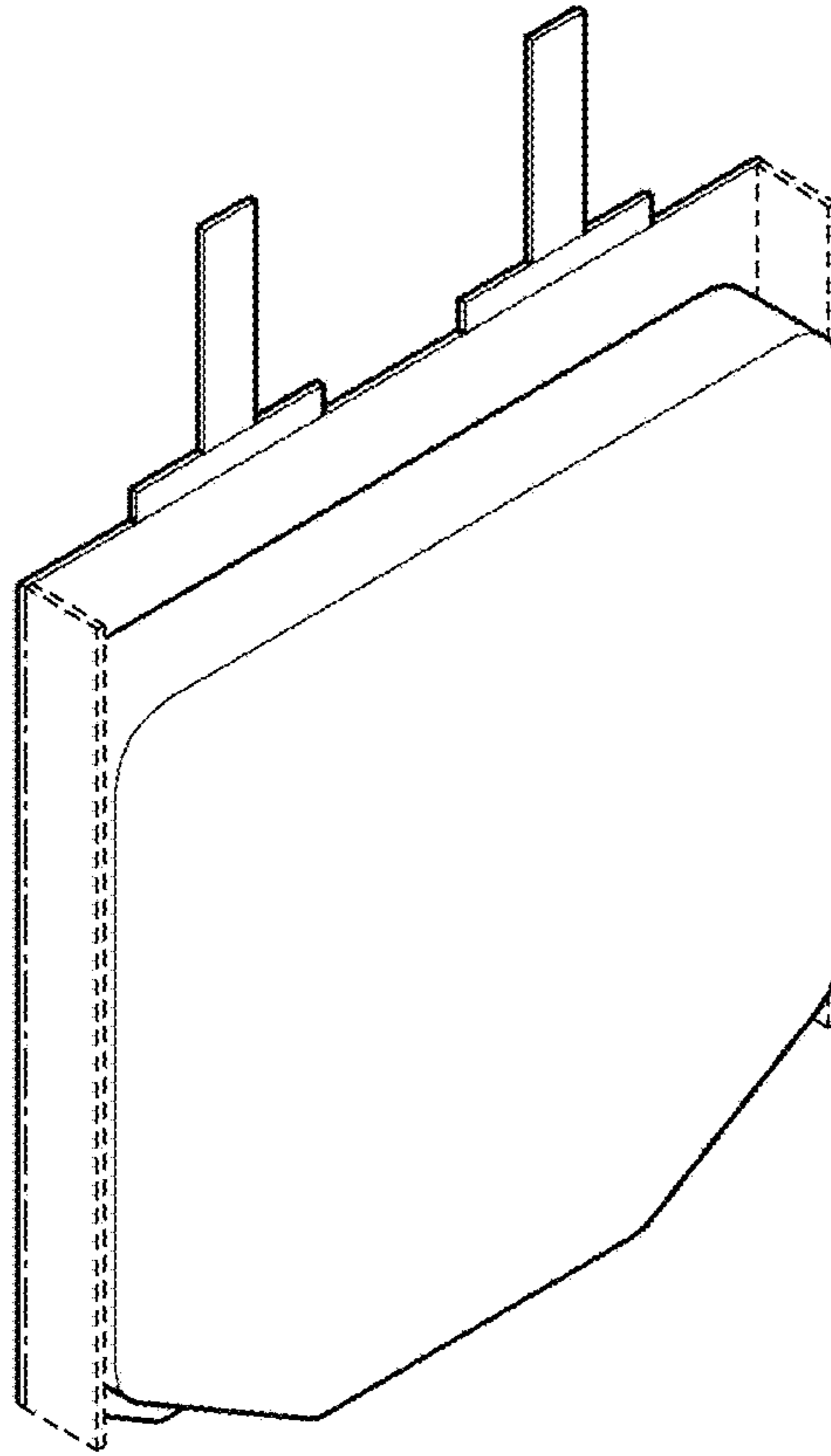


FIG. 16

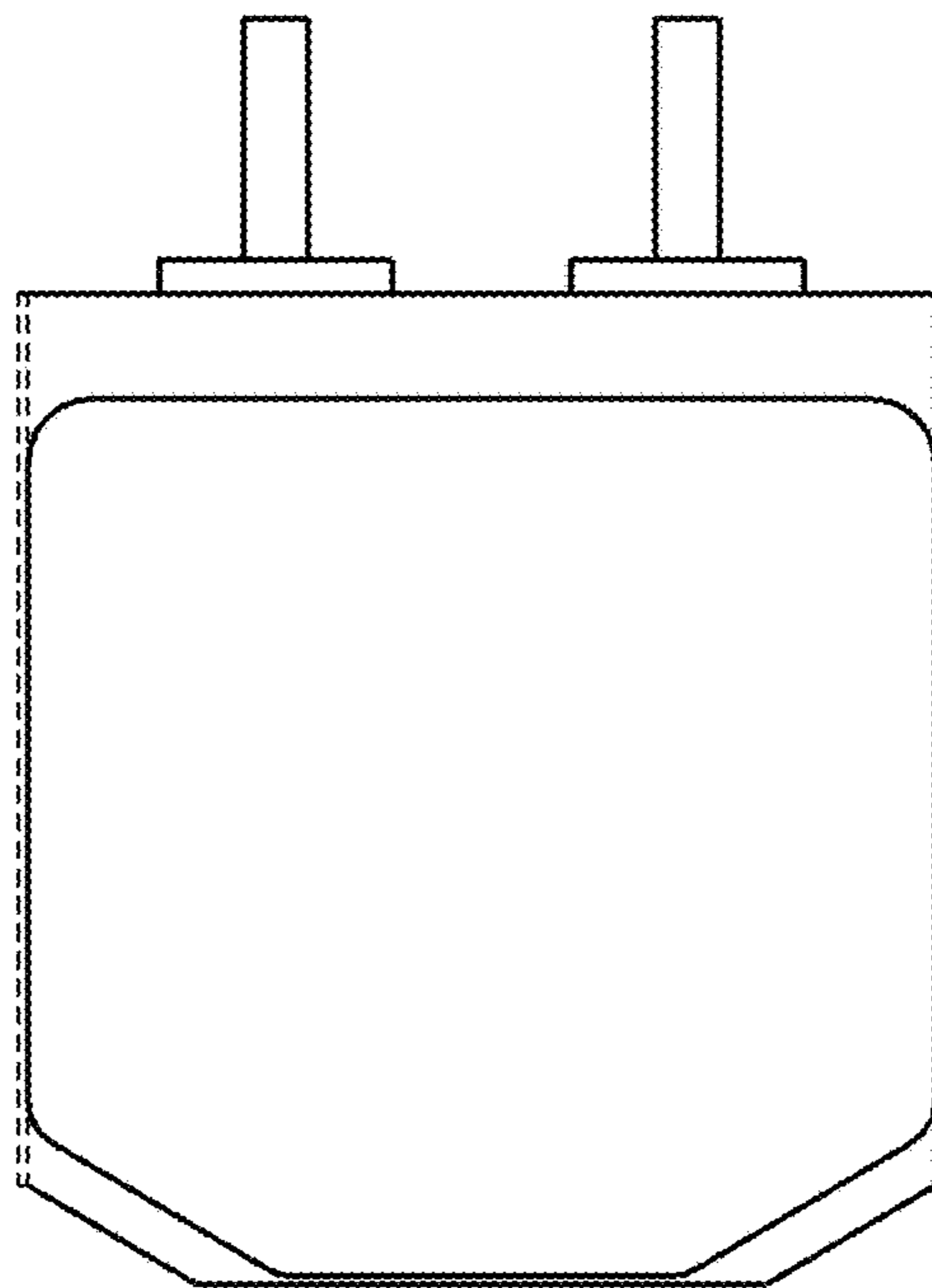


FIG. 17

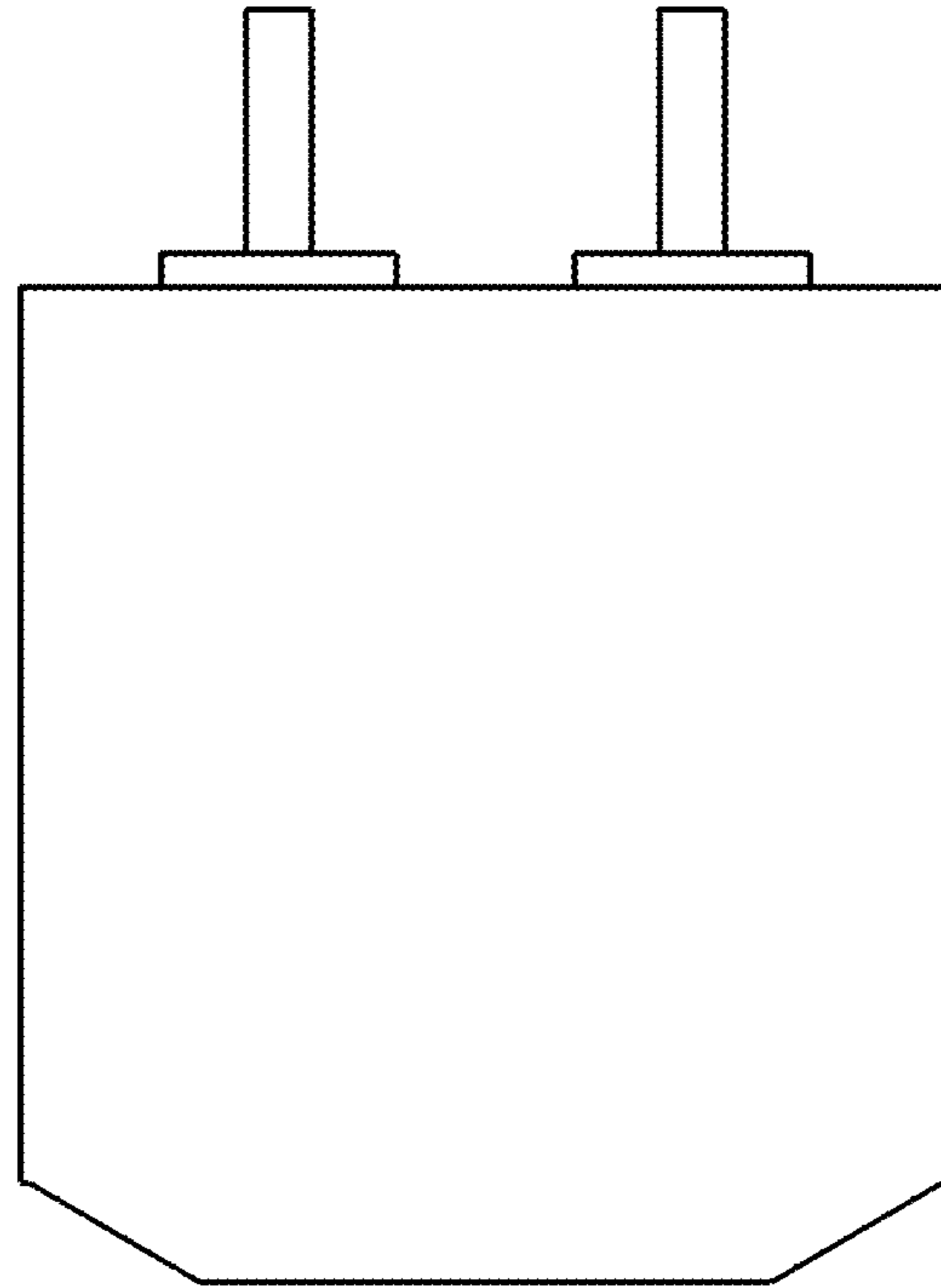


FIG. 18

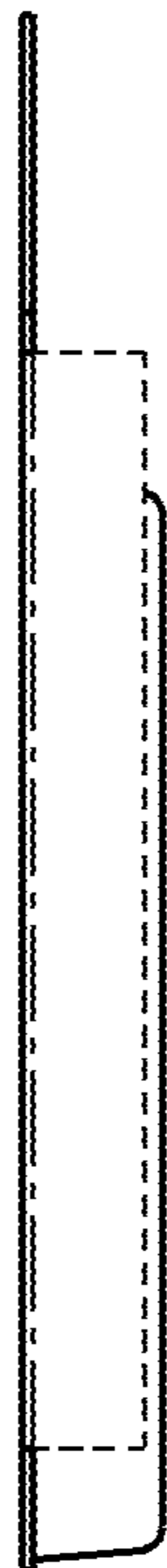


FIG. 19

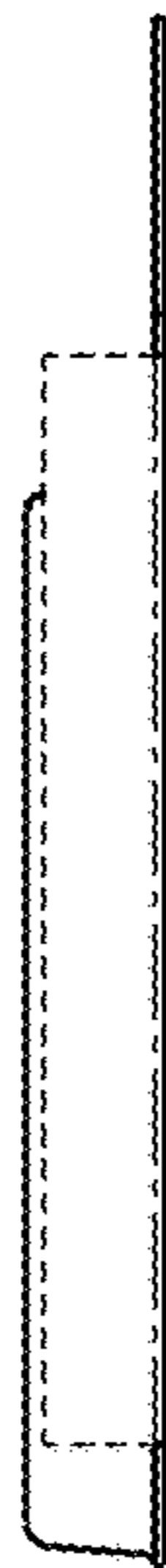


FIG. 20



FIG. 21

