



US00D788029S

(12) **United States Design Patent** (10) **Patent No.:** **US D788,029 S**  
**Derkacs et al.** (45) **Date of Patent:** **\*\* May 30, 2017**

(54) **SOLAR CELL**

(56) **References Cited**

(71) Applicant: **SolAero Technologies Corp.**,  
Albuquerque, NM (US)  
(72) Inventors: **Daniel Derkacs**, Albuquerque, NM  
(US); **Daniel Aiken**, Cedar Crest, NM  
(US)  
(73) Assignee: **SolAero Technologies Corp.**,  
Albuquerque, NM (US)  
(\*\*) Term: **15 Years**  
(21) Appl. No.: **29/579,467**  
(22) Filed: **Sep. 30, 2016**

U.S. PATENT DOCUMENTS

D275,876 S *	10/1984	Everett	.....	D13/102
D442,139 S *	5/2001	Sasaoka	.....	D13/102
D558,139 S *	12/2007	Sharma	.....	D13/102
D590,768 S *	4/2009	Feng	.....	D13/102
8,222,523 B2 *	7/2012	Antaya	.....	H01R 4/022 136/244
D667,370 S *	9/2012	Arletti	.....	D13/102
8,373,613 B2 *	2/2013	Lin	.....	H01L 31/02243 136/244
8,829,328 B2 *	9/2014	Silverstein	.....	H01L 31/042 136/244

\* cited by examiner

*Primary Examiner* — Derrick Holland

(57) **CLAIM**

The ornamental design for a solar cell, as shown and described.

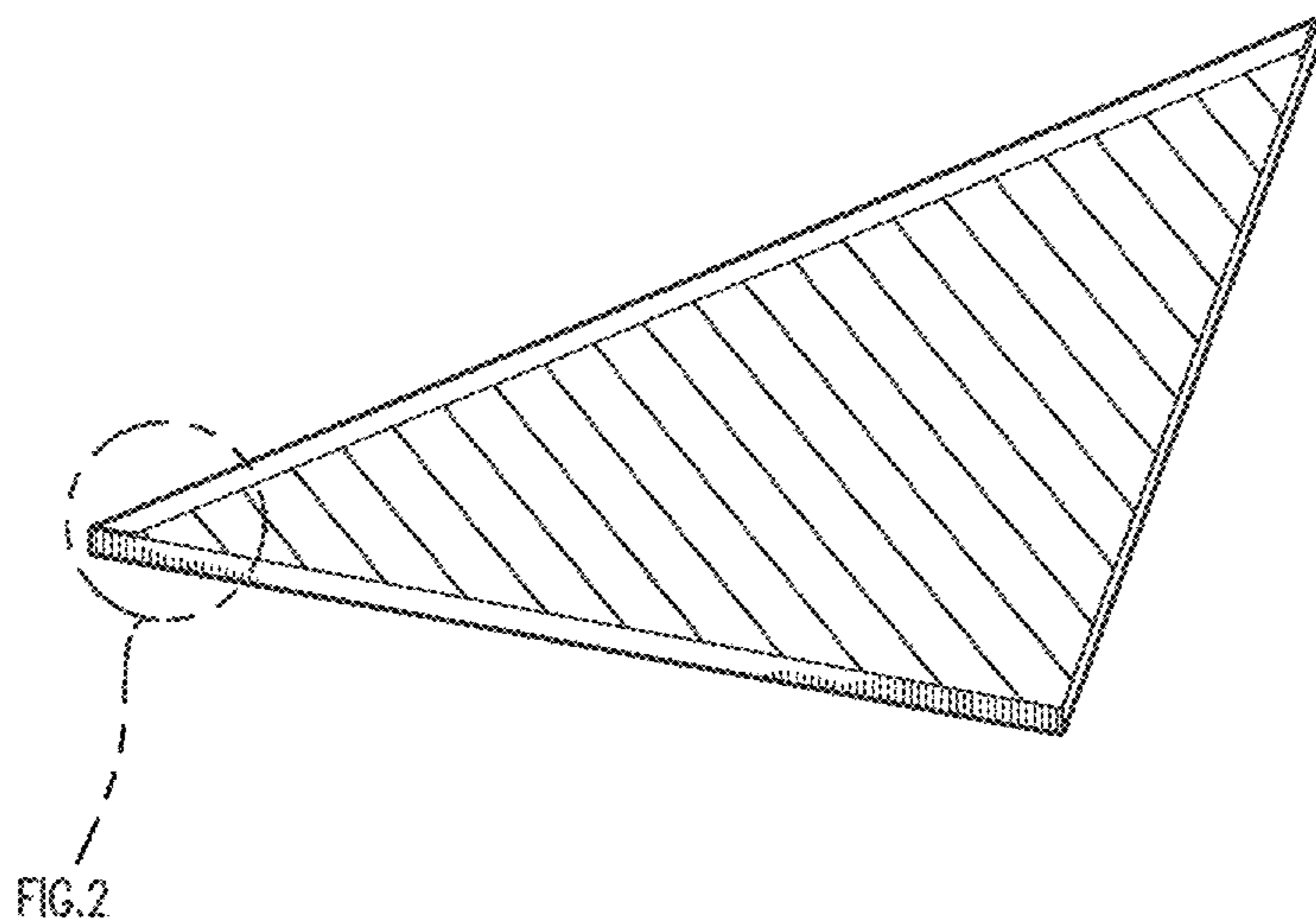
**DESCRIPTION**

FIG. 1 is a top perspective view of a solar cell showing our new design;  
FIG. 2 is an enlarged fragmental view taken from the designated area in FIG. 1;  
FIG. 3 is a top plan view of the solar cell of FIG. 1;  
FIG. 4 is a rear side elevation view of the solar cell of FIG. 1;  
FIG. 5 is a front side elevation view of the solar cell of FIG. 1;  
FIG. 6 is a left side elevation view of the solar cell of FIG. 1;  
FIG. 7 is a right side elevation view of the solar cell of FIG. 1; and,  
FIG. 8 is a bottom plan view of the solar cell of FIG. 1.  
The broken line boundaries shown in FIGS. 1 and 2 represent unclaimed subject matter and form no part of the claimed design.

**Related U.S. Application Data**

(62) Division of application No. 29/497,799, filed on Jul. 29, 2014, now Pat. No. Des. 769,808.  
(51) **LOC (10) Cl.** ..... **13-02**  
(52) **U.S. Cl.**  
USPC ..... **D13/102**  
(58) **Field of Classification Search**  
USPC ..... D13/102, 101, 184, 199; 52/173.3; 126/569-578, 580, 609-612, 634, 640, 126/643, 652, 658, 680, 682, 683, 685, 126/689, 699; 136/206, 244-251, 256, 136/291, 292  
CPC ..... H01L 31/18; H01L 31/042; H01L 31/048; H01L 31/052; H01L 31/058; H01L 31/0522; H01L 31/0525; H01L 31/061; H01L 31/068; Y02E 10/50; Y10T 29/49208; Y10T 29/49213; F24J 2/04; F24J 2/12; F24J 2/24; F24J 2/38; F24J 2/46; F24J 2/54  
See application file for complete search history.

**1 Claim, 3 Drawing Sheets**



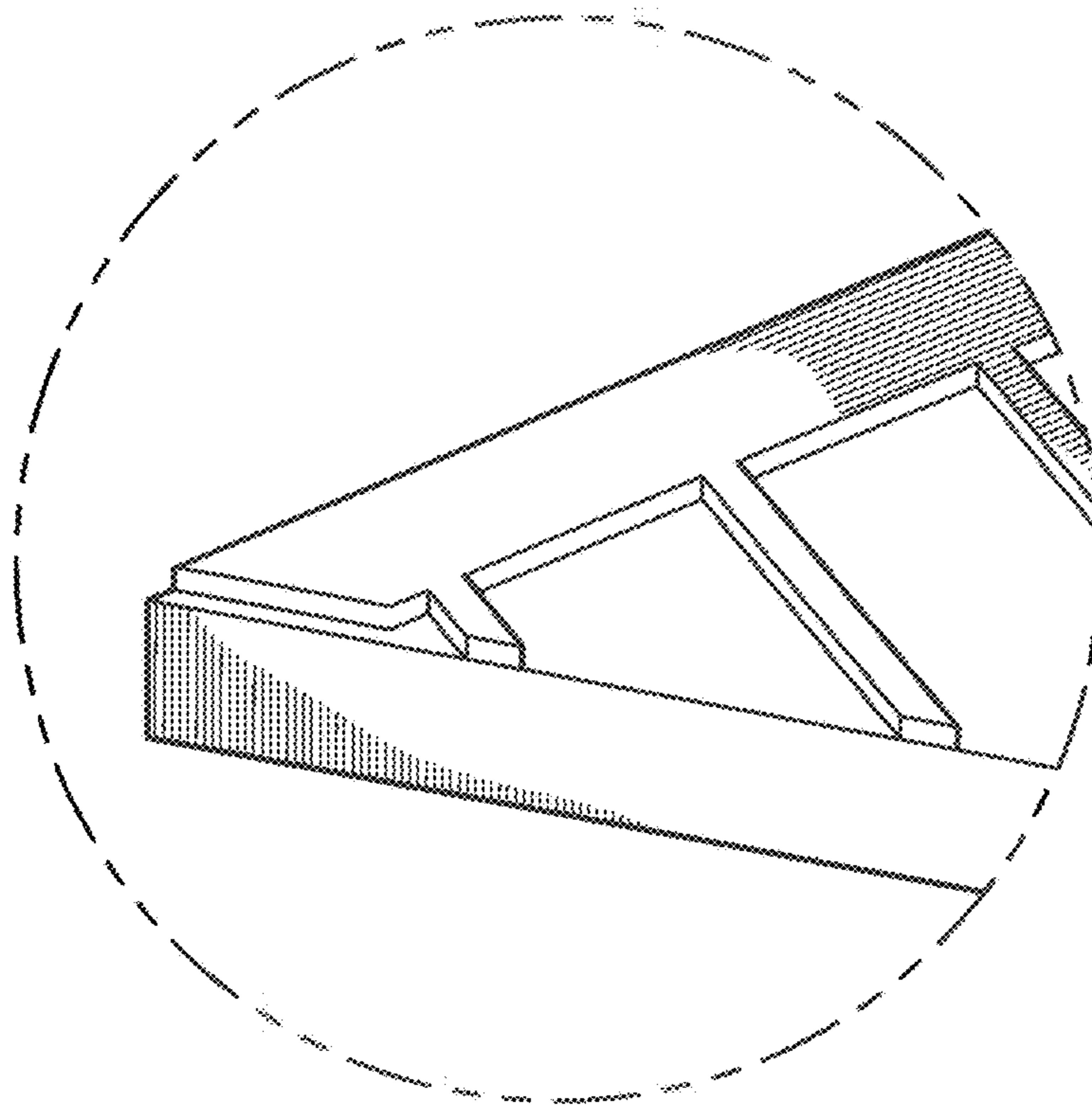
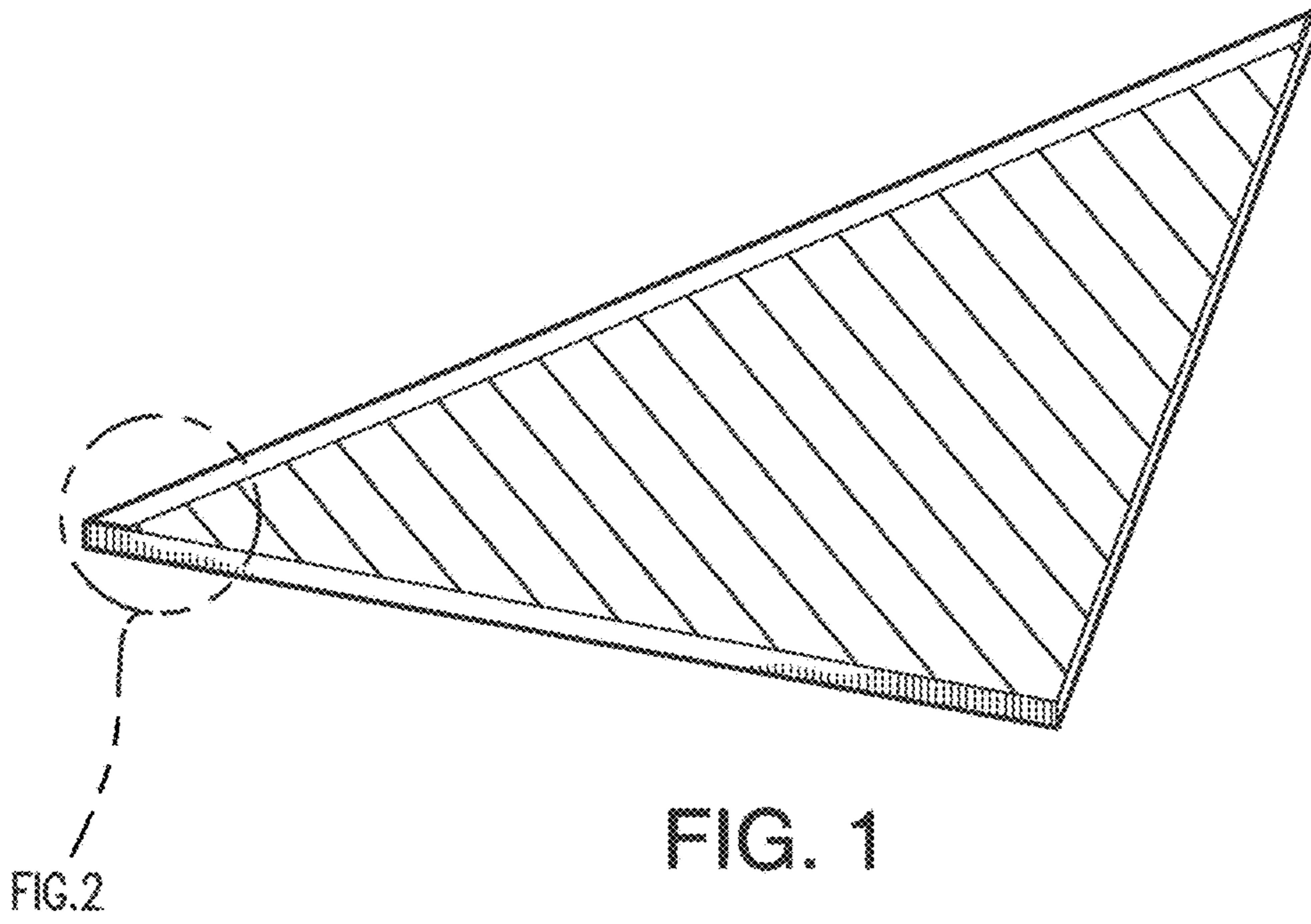


FIG. 2

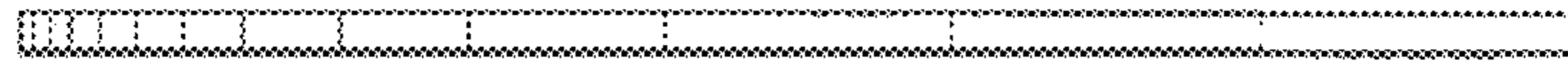


FIG. 4



FIG. 6

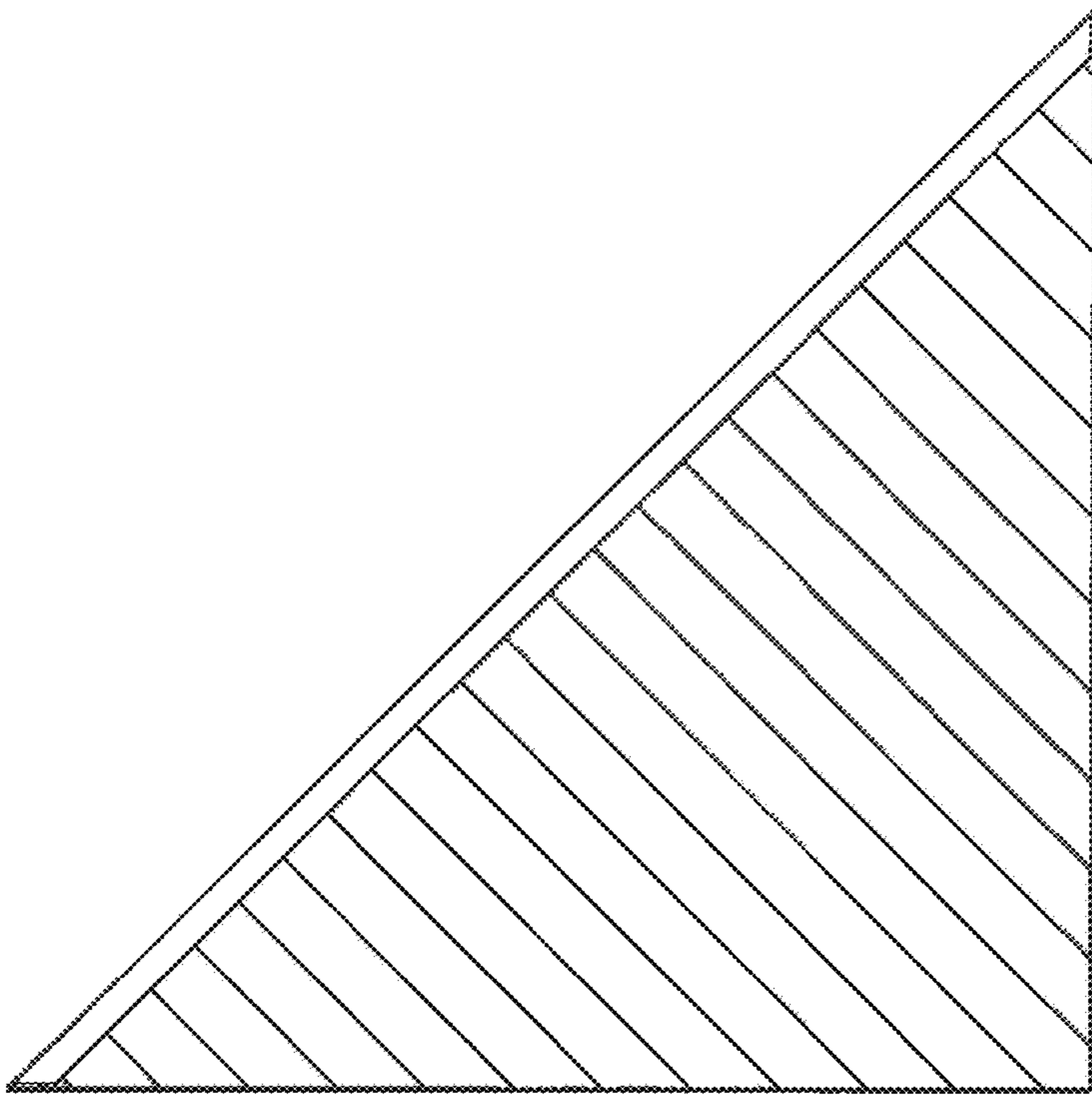


FIG. 3



FIG. 7

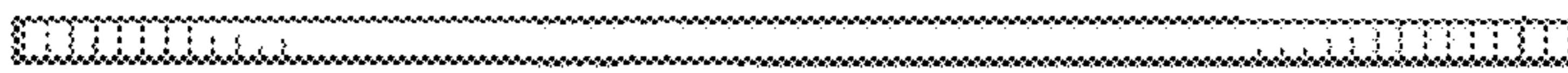


FIG. 5

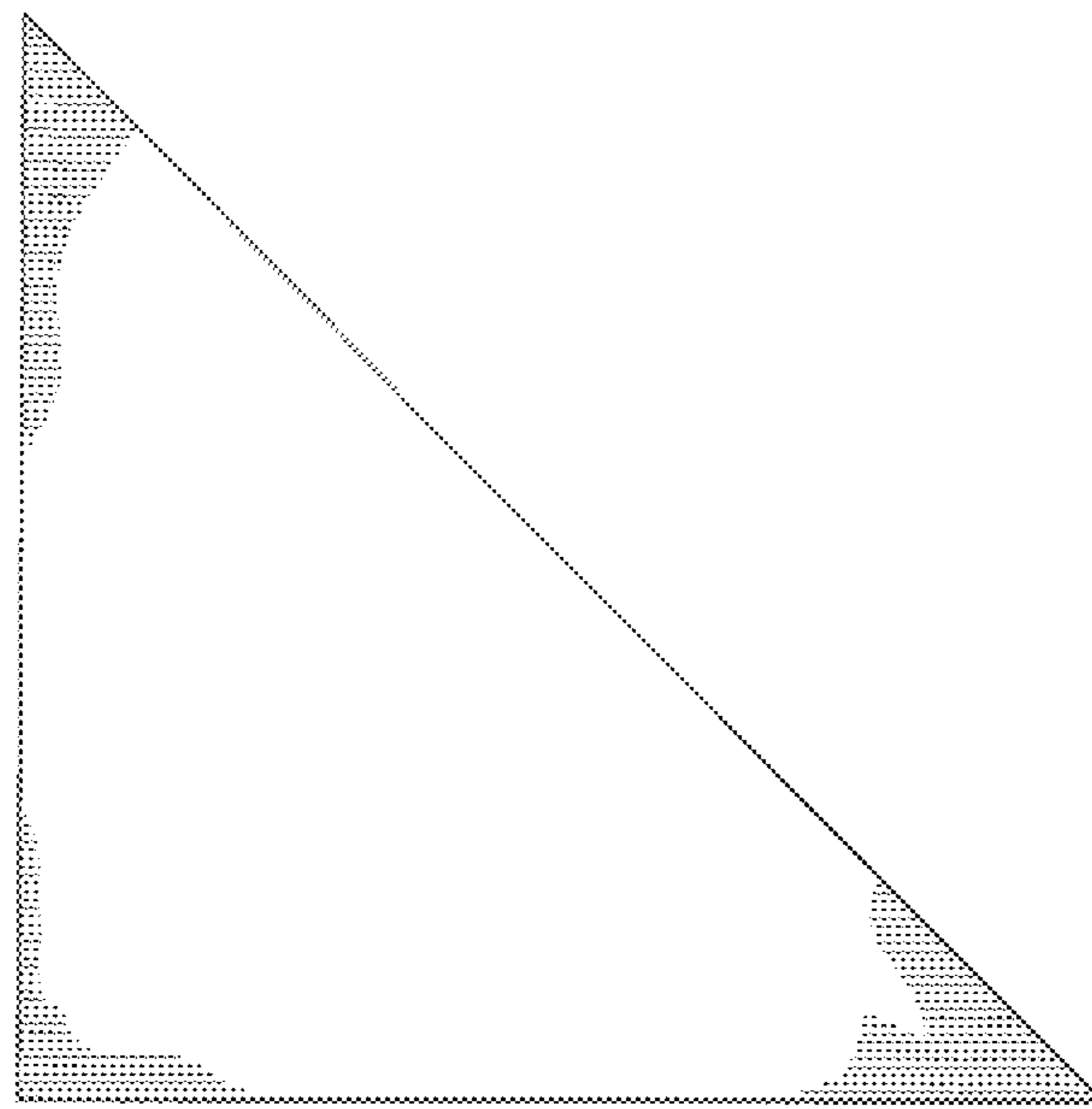


FIG. 8