



US00D788024S

(12) **United States Design Patent**  
**Chen**

(10) **Patent No.:** **US D788,024 S**

(45) **Date of Patent:** **\*\* May 30, 2017**

(54) **TIRE**

(71) Applicant: **CHENG SHIN RUBBER (XIAMEN) IND., LTD.**, Xiamen, Fujian (CN)

(72) Inventor: **Shiu-Hsiung Chen**, Fujian (CN)

(73) Assignee: **CHENG SHIN RUBBER (XIAMEN) IND., LTD.**, Xiamen (CN)

(\*\*) Term: **15 Years**

(21) Appl. No.: **29/558,521**

(22) Filed: **Mar. 18, 2016**

(30) **Foreign Application Priority Data**

Dec. 24, 2015 (CN) ..... 2015 3 0555842

(51) **LOC (10) Cl.** ..... **12-15**

(52) **U.S. Cl.**  
USPC ..... **D12/597**; D12/584

(58) **Field of Classification Search**  
USPC ..... D12/568-604, 900  
CPC ..... B60C 1/0016; B60C 11/0306; B60C 11/0302; B60C 3/06; B60C 9/17  
See application file for complete search history.

(56) **References Cited**

**U.S. PATENT DOCUMENTS**

D482,323 S \* 11/2003 Corbin ..... D12/584  
D492,933 S \* 7/2004 Lissan ..... D12/602

D547,717 S \* 7/2007 Yamane ..... D12/585  
D613,678 S \* 4/2010 Nakamura ..... D12/585  
D731,405 S \* 6/2015 Fujita ..... D12/584  
D741,252 S \* 10/2015 Wakishima ..... D12/584  
D753,051 S \* 4/2016 Kato ..... D12/584  
D764,391 S \* 8/2016 Shen ..... D12/584

\* cited by examiner

*Primary Examiner* — Robert M Spear

*Assistant Examiner* — John Voytek

(57) **CLAIM**

The ornamental design for a tire, as shown and described.

**DESCRIPTION**

FIG. 1 is a front elevational view of a tire showing my new design;

FIG. 2 is a left side view thereof;

FIG. 3 is a first perspective view thereof;

FIG. 4 is a second perspective view thereof;

FIG. 5 is an enlarged view of portion 5 of FIG. 1;

FIG. 6 is an enlarged view of portion 6 of FIG. 2;

FIG. 7 is an enlarged view of portion 7 of FIG. 3;

FIG. 8 is an enlarged view of portion 8 of FIG. 3;

FIG. 9 is an enlarged view of portion 9 of FIG. 3;

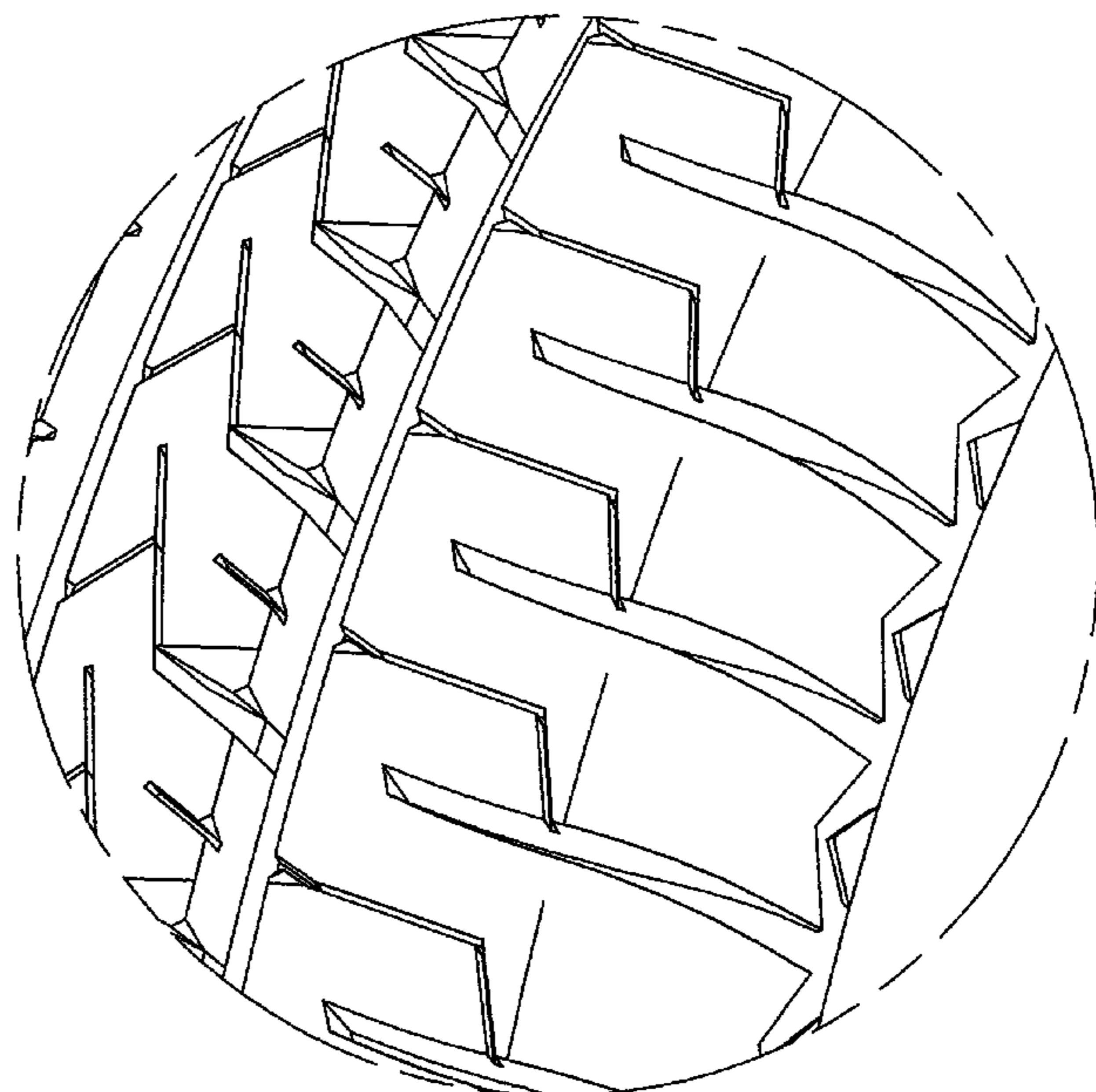
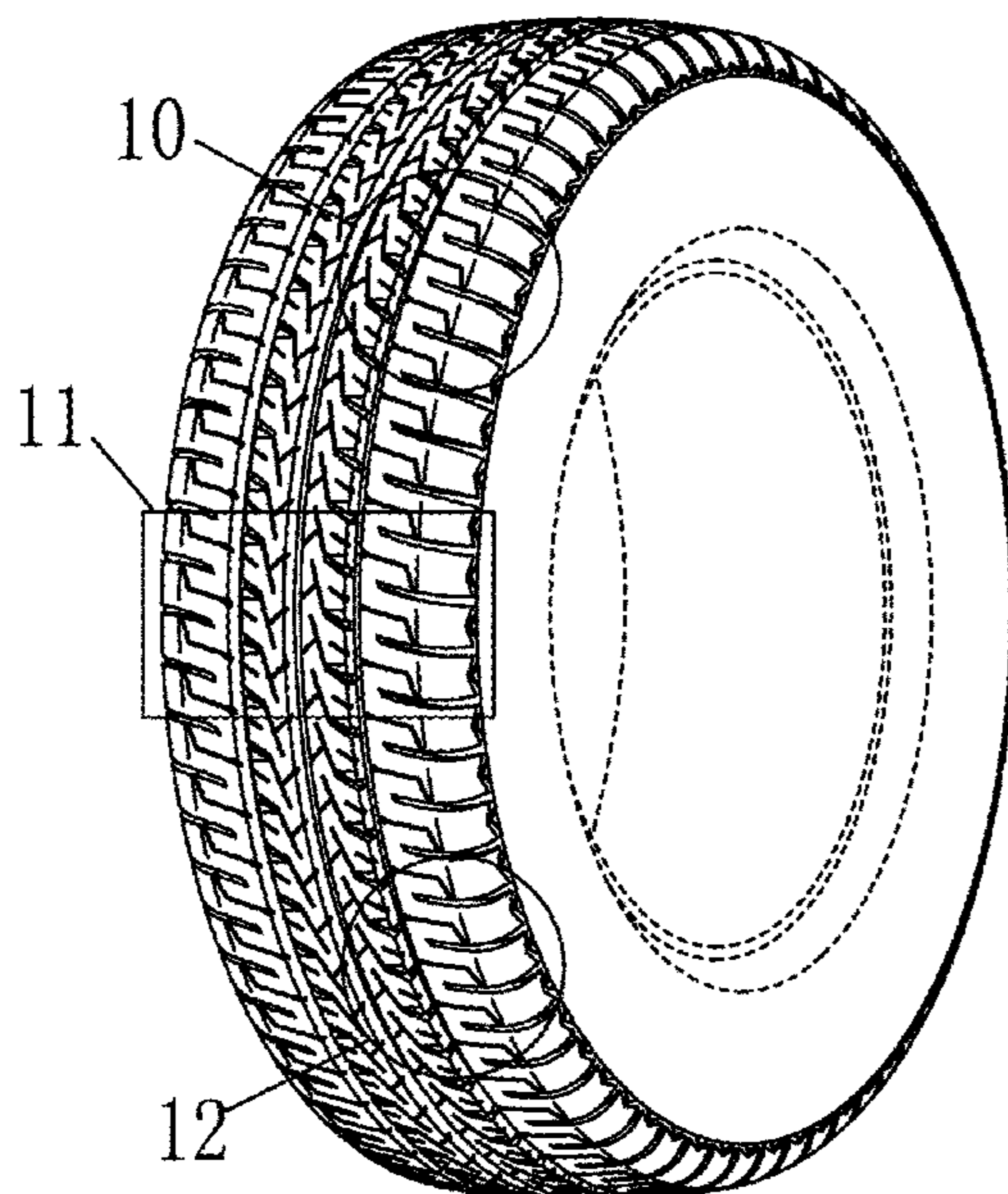
FIG. 10 is an enlarged view of portion 10 of FIG. 4;

FIG. 11 is an enlarged view of portion 11 of FIG. 4; and,

FIG. 12 is an enlarged view of portion 12 of FIG. 4.

In the drawings, the broken lines depict environmental subject matter only and form no part of the claimed design.

**1 Claim, 12 Drawing Sheets**



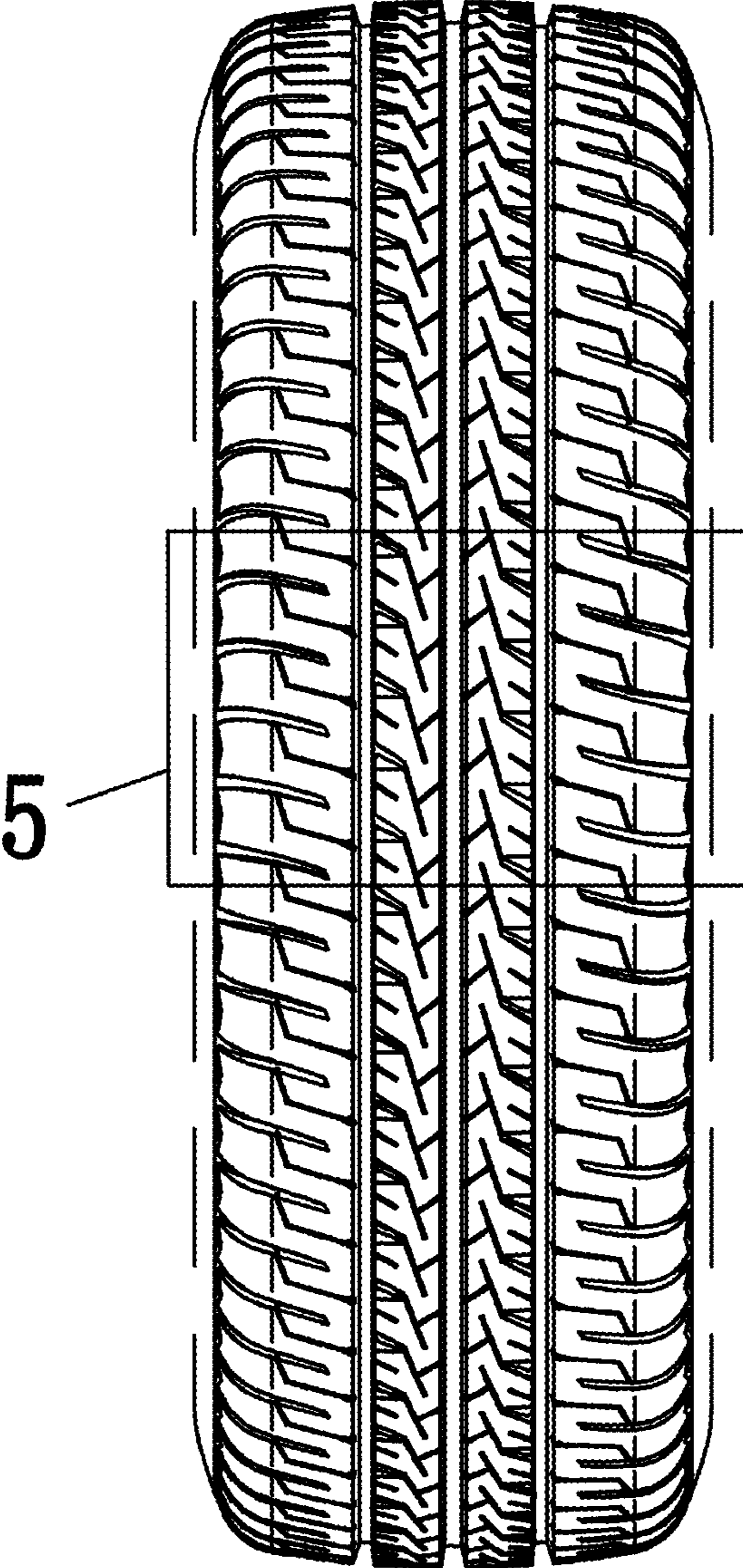


Fig.1

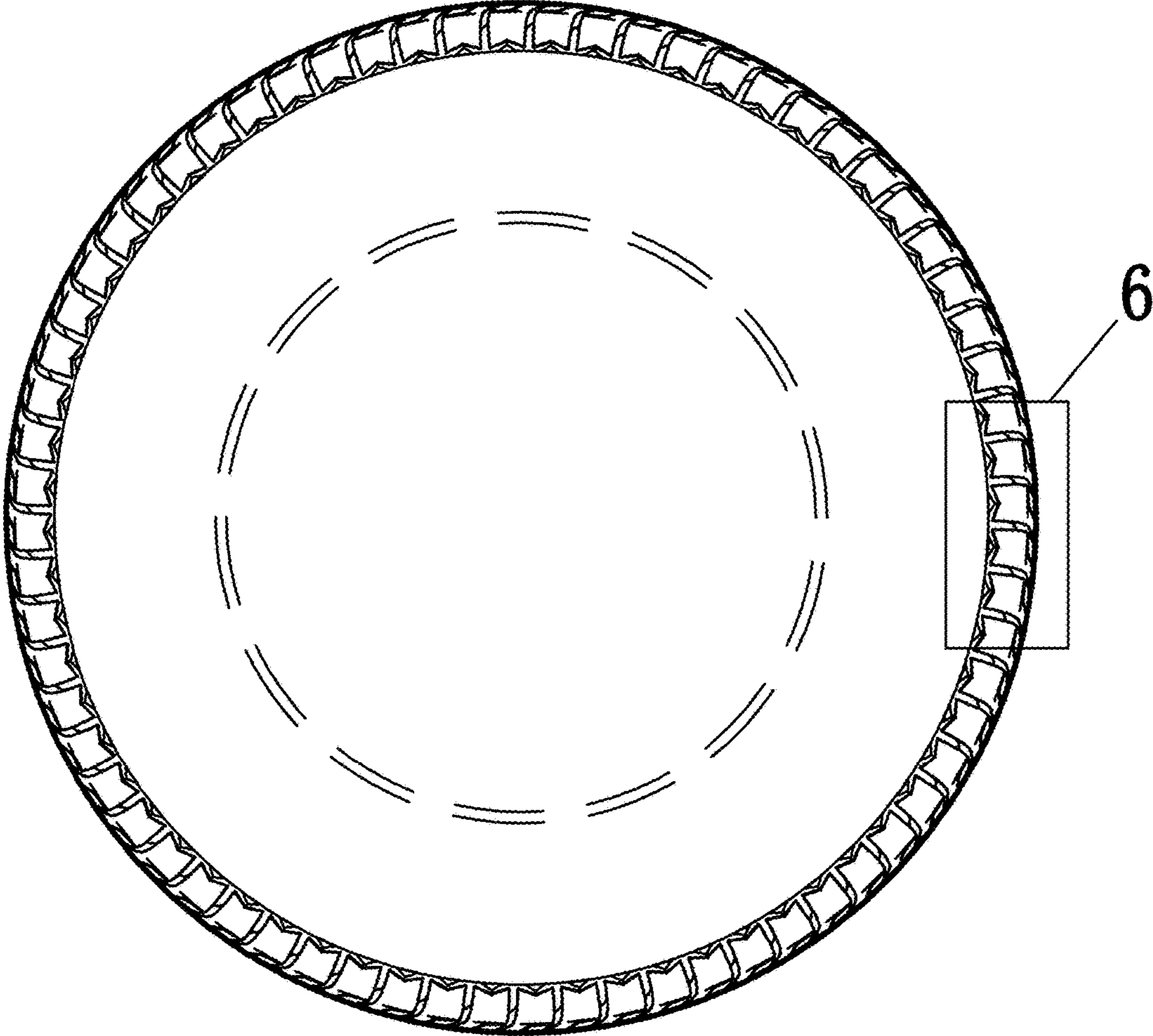


Fig.2

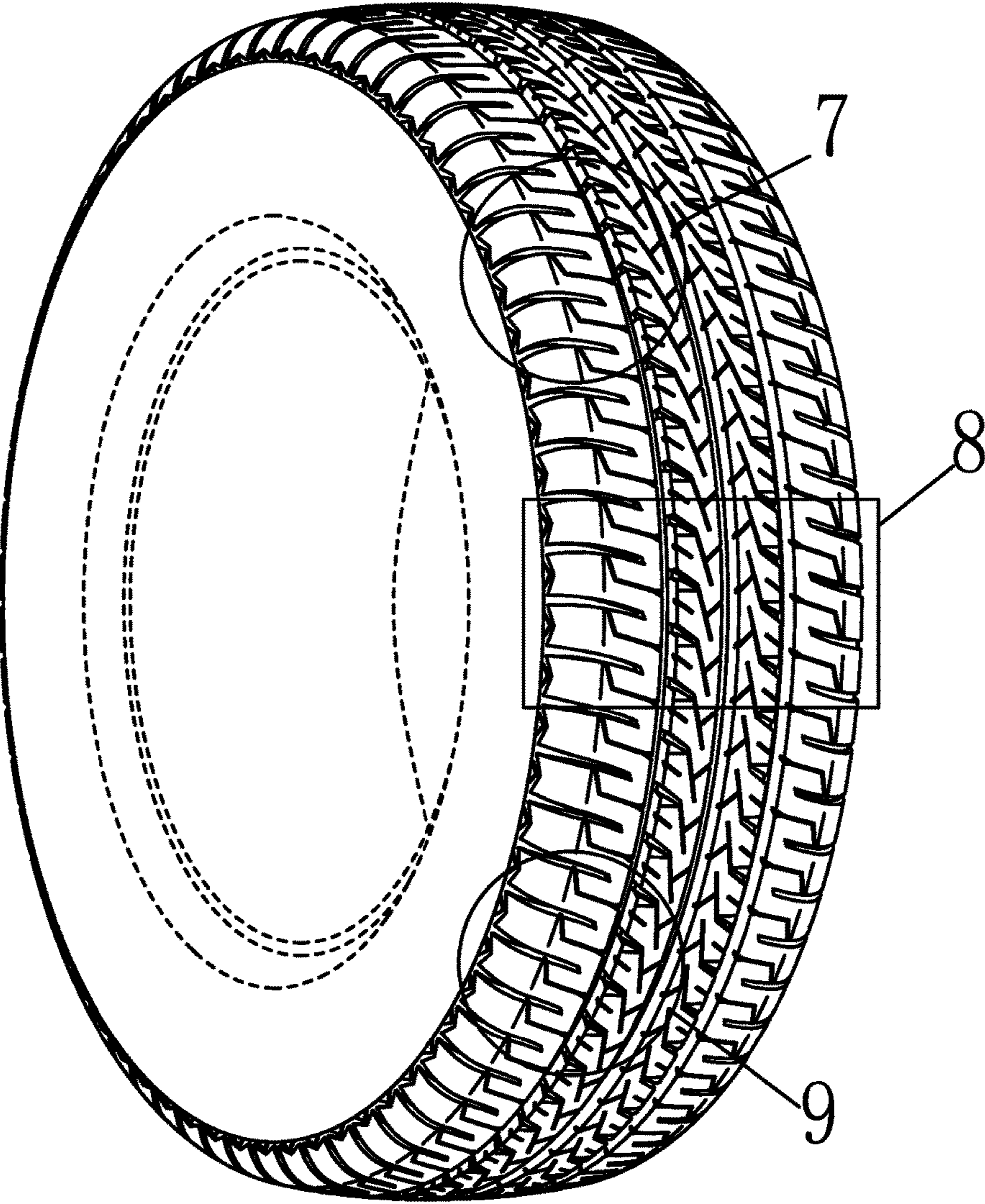


Fig.3

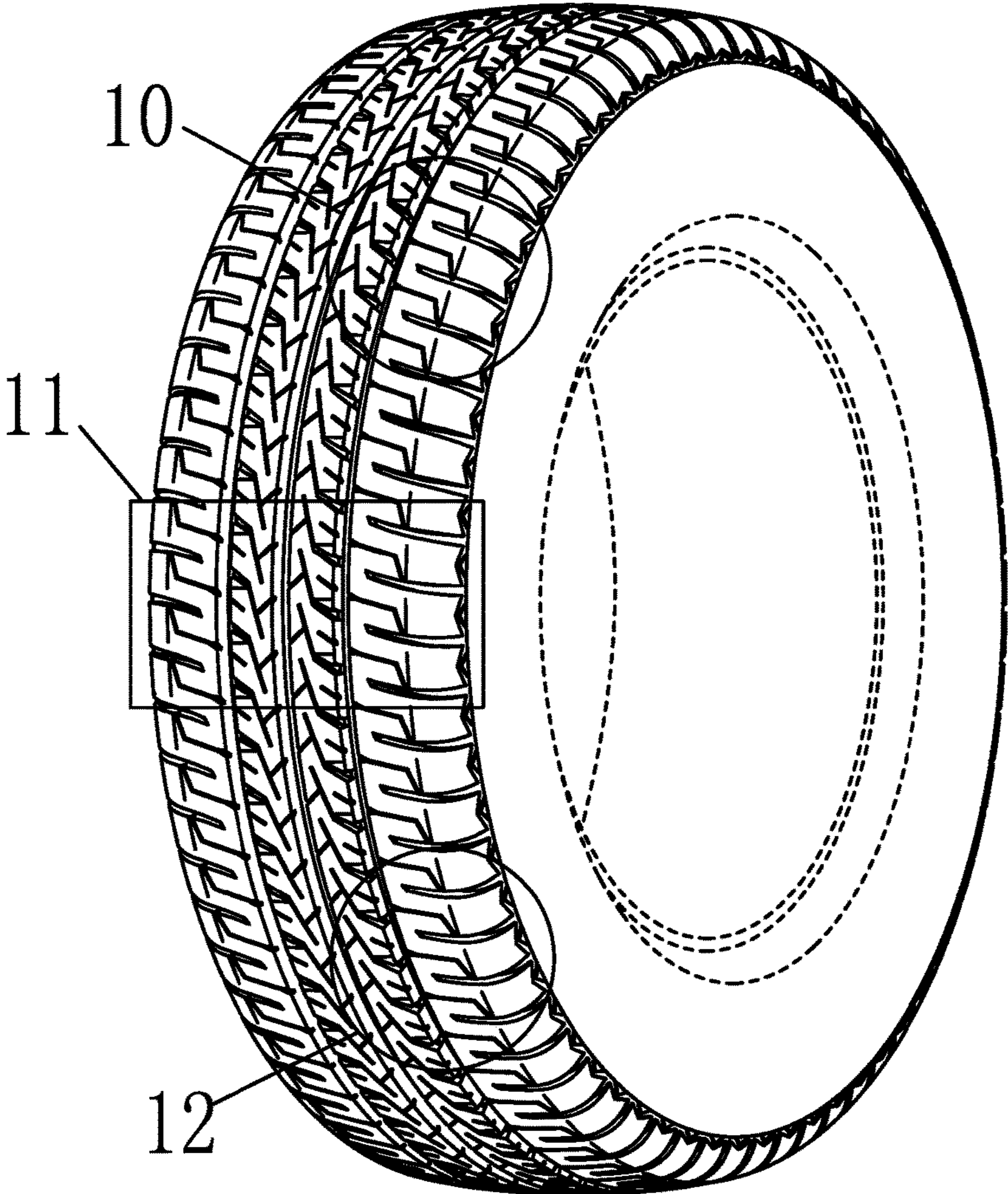


Fig.4

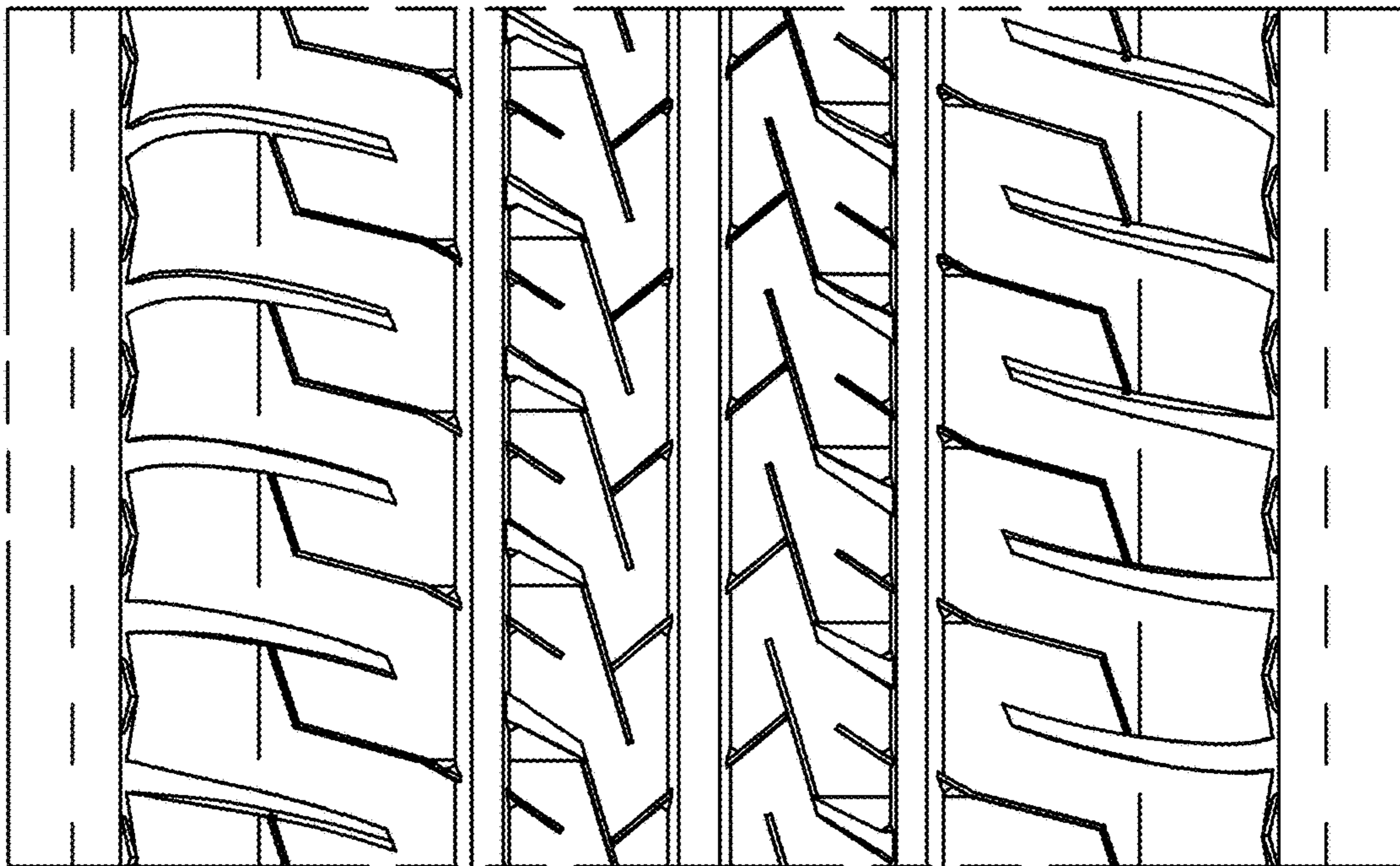


Fig.5

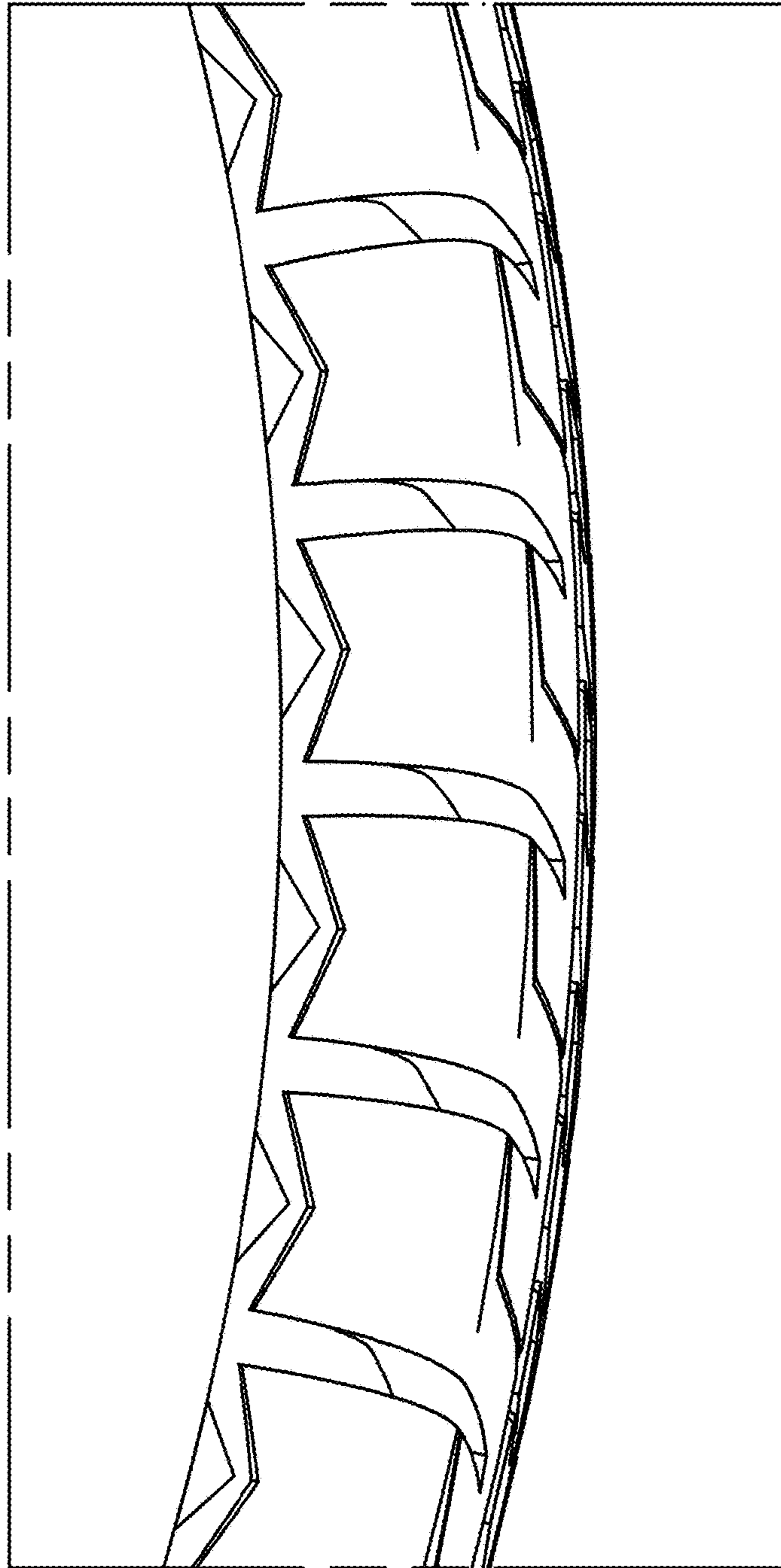


Fig.6

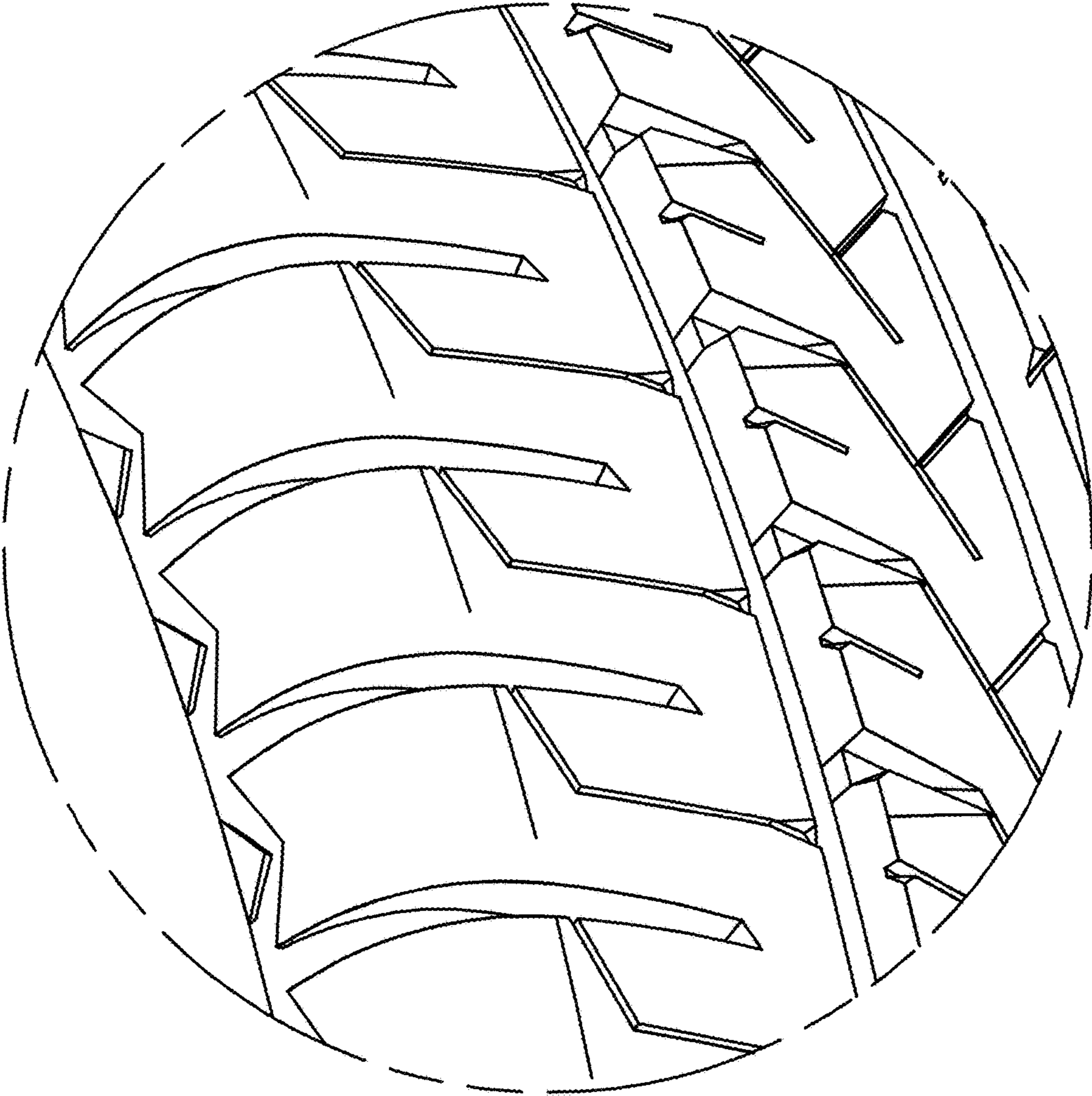


Fig.7



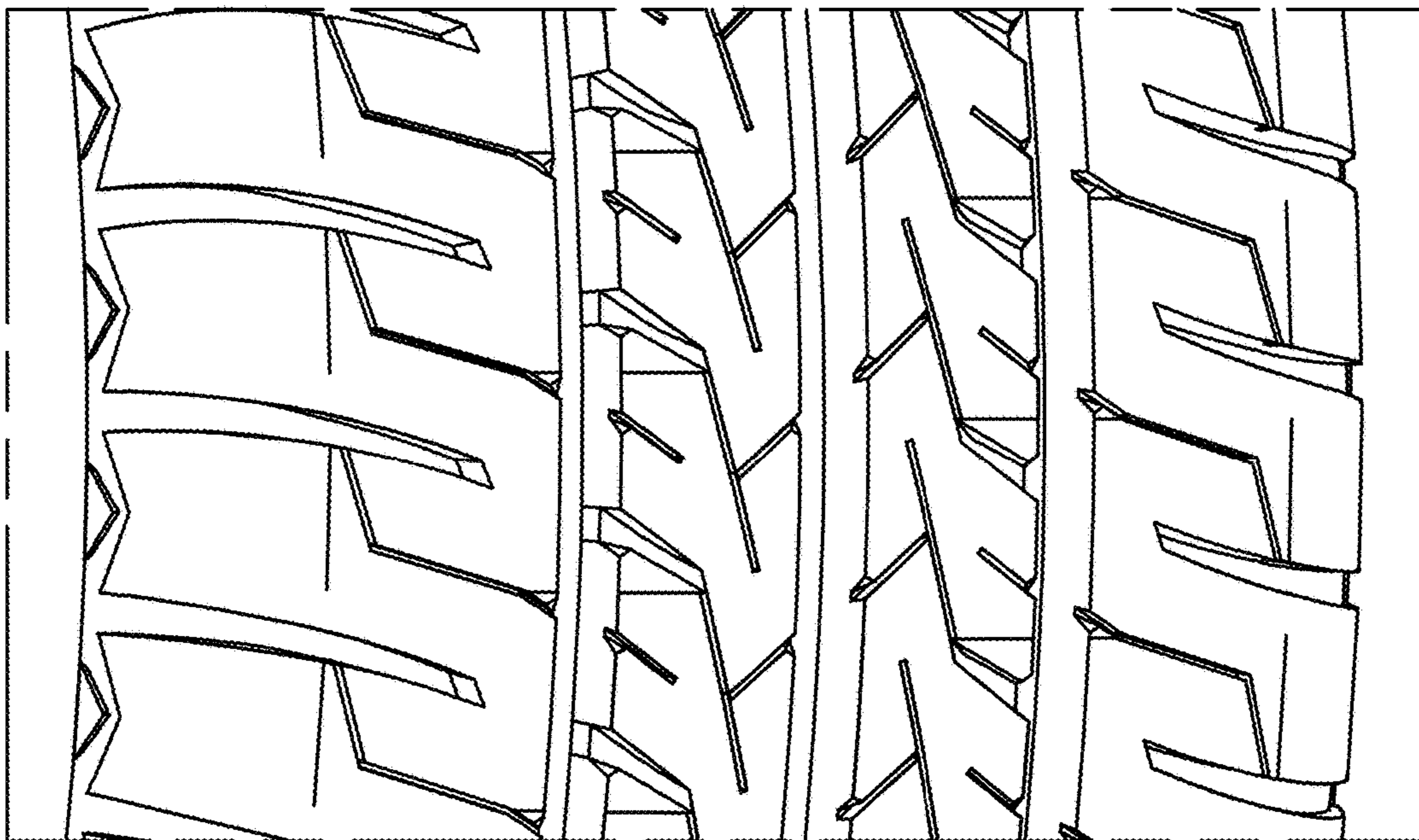


Fig.8

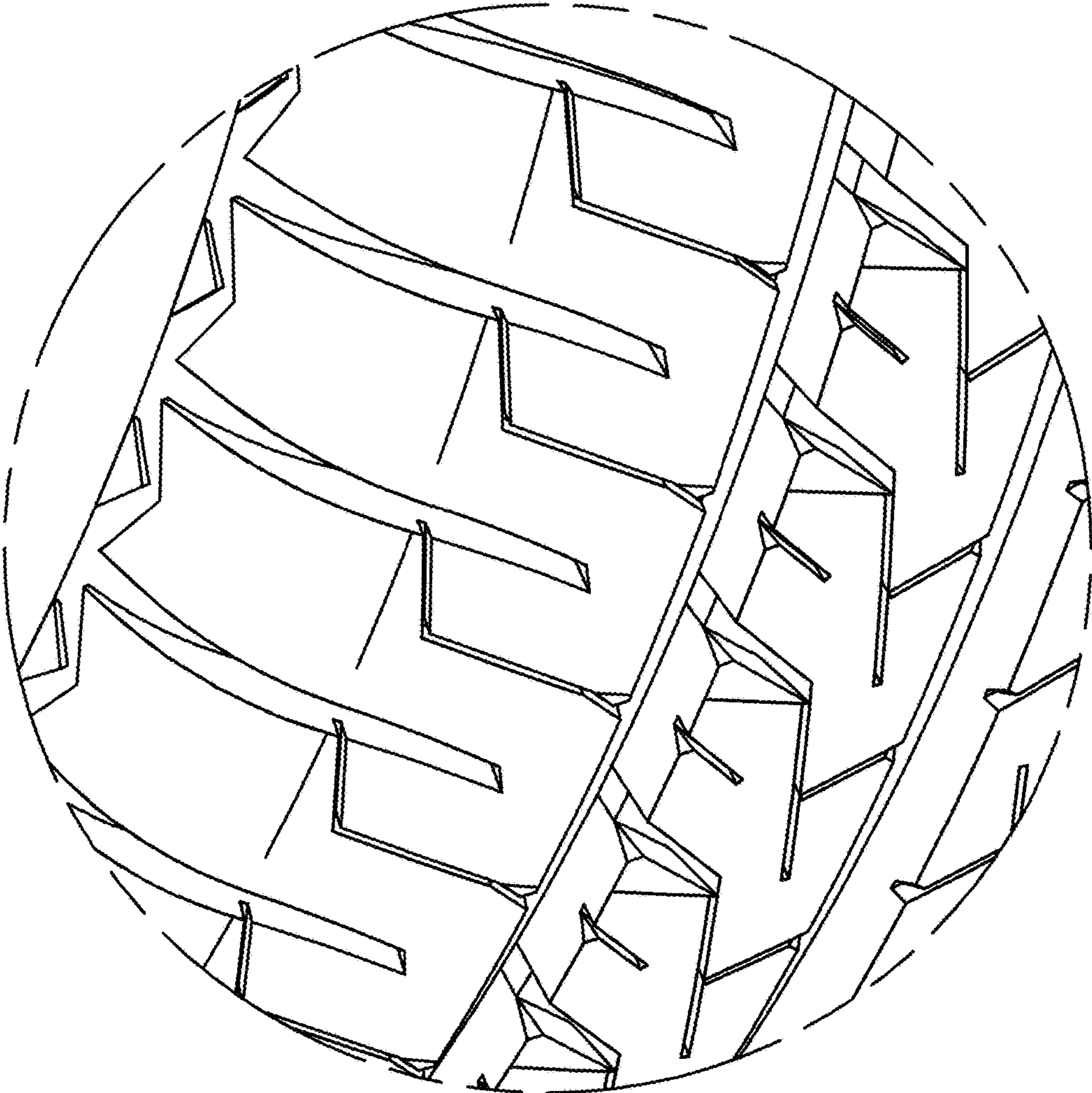


Fig.9

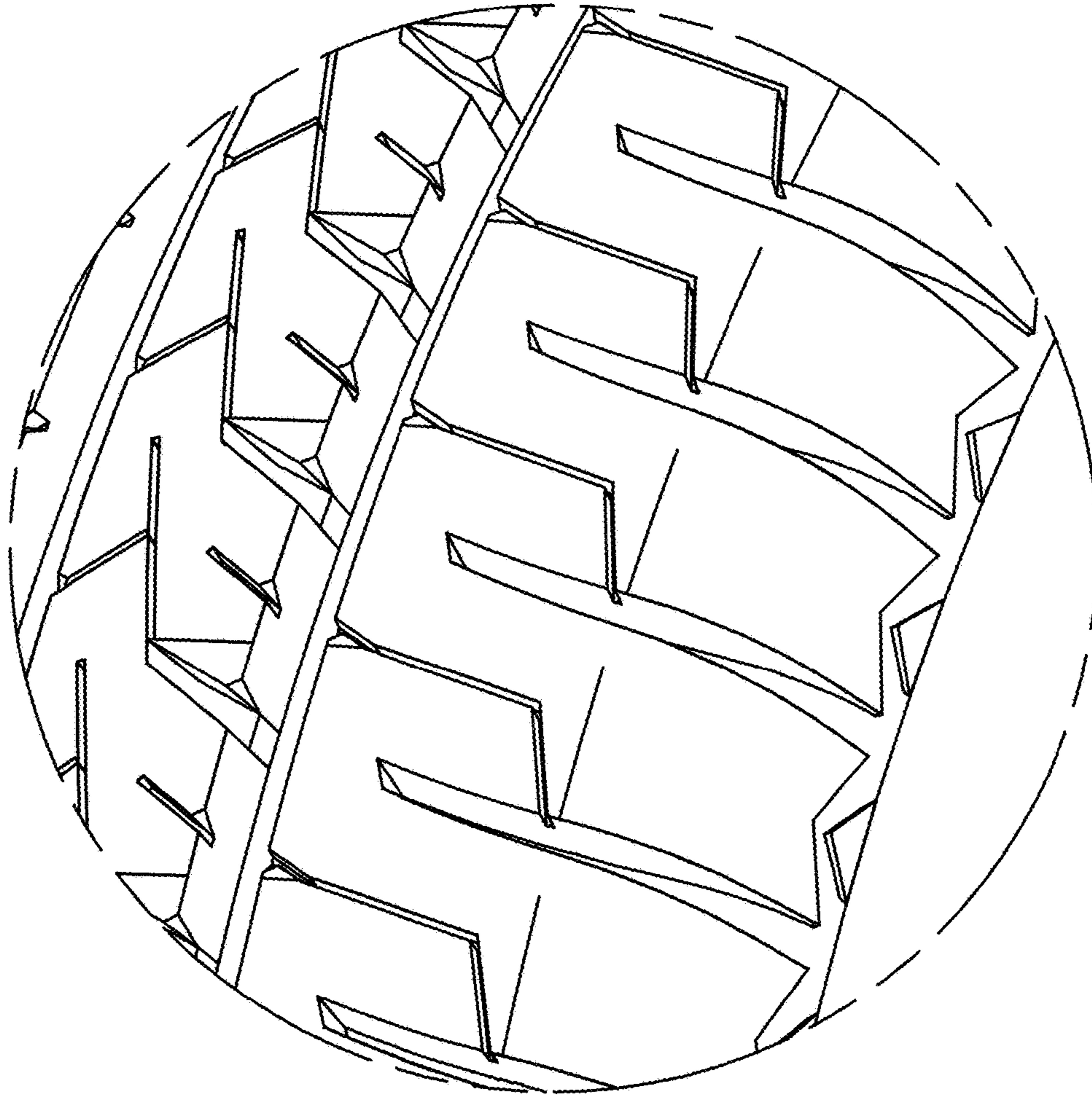


Fig.10

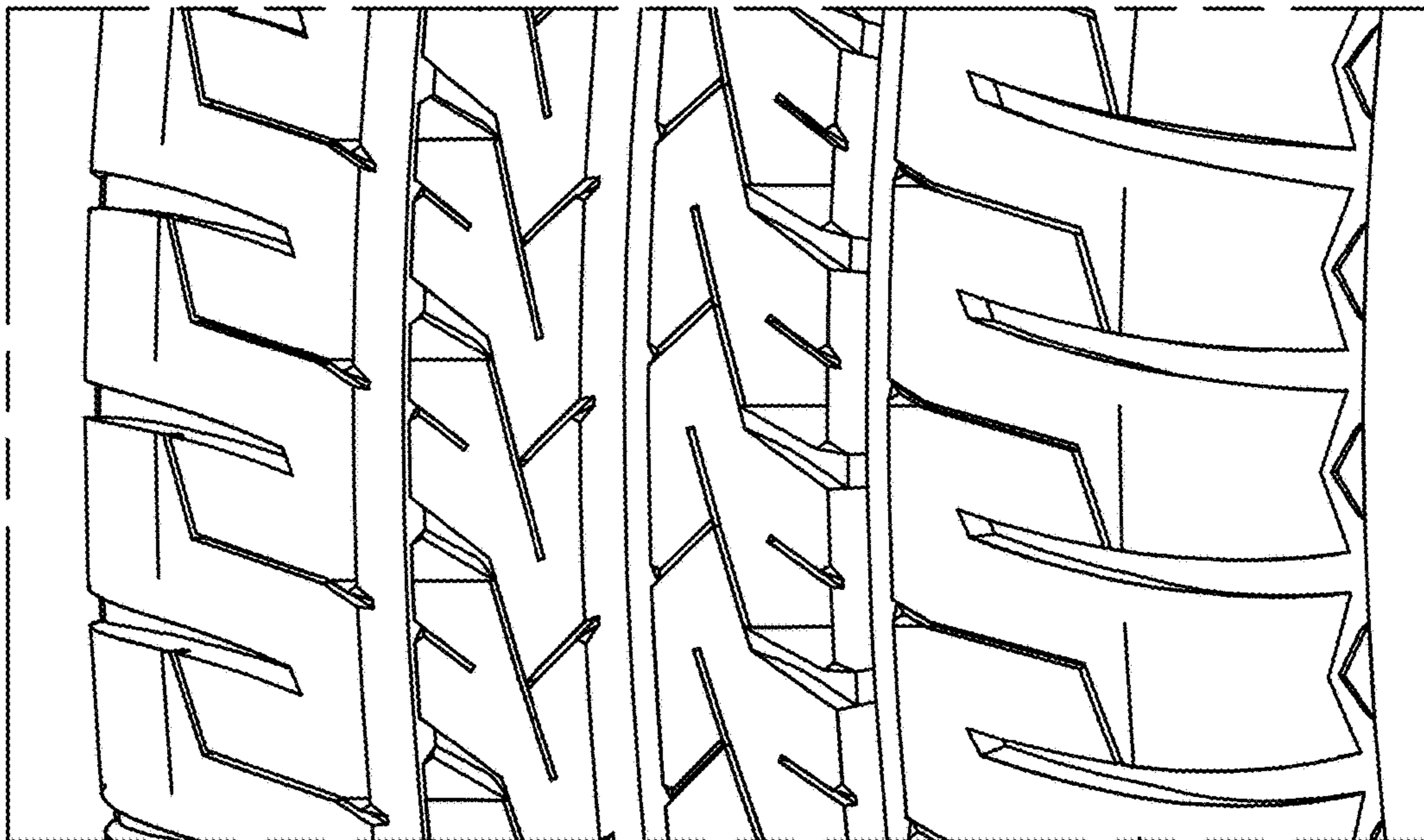


Fig.11

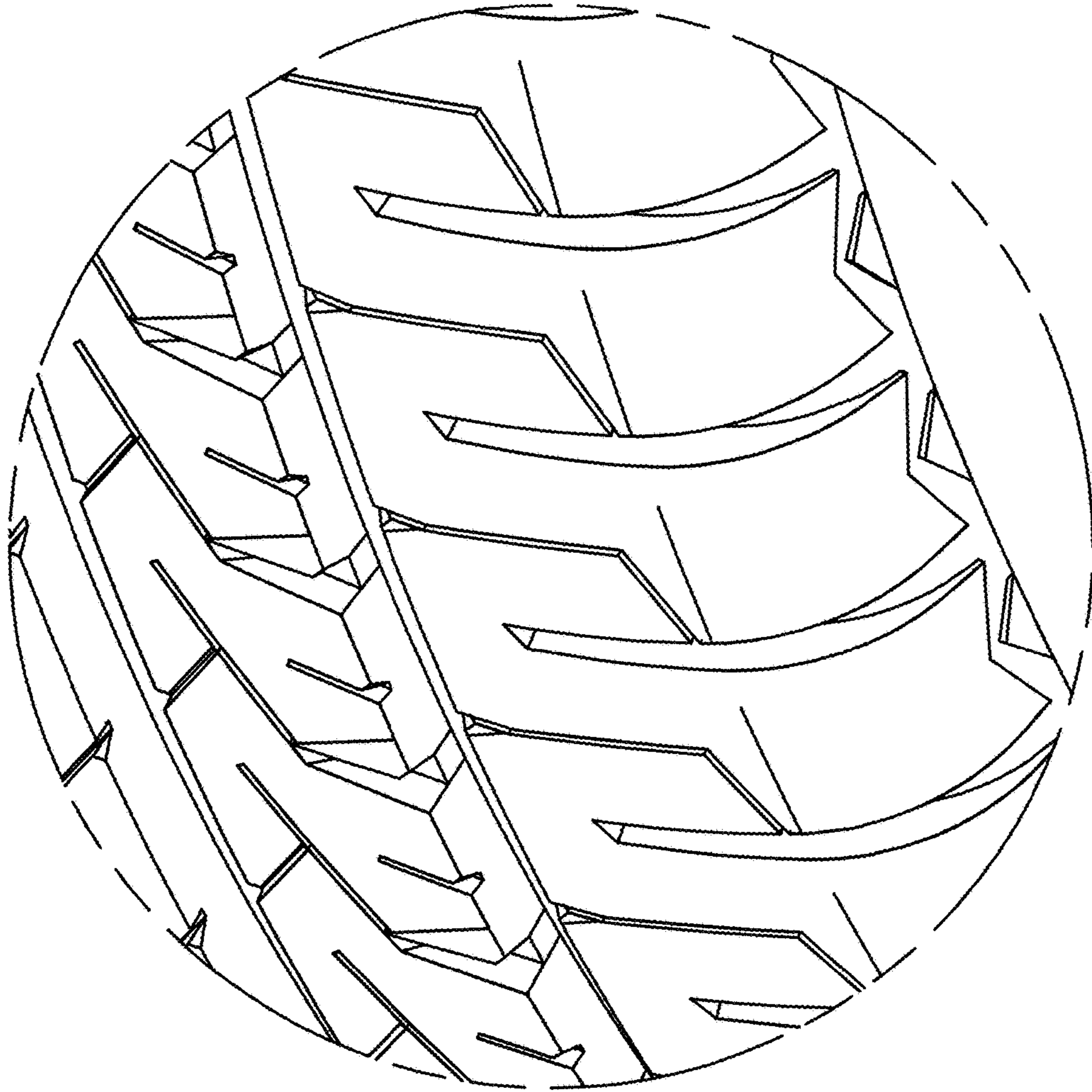


Fig.12