



US00D788022S

(12) **United States Design Patent** (10) **Patent No.:** **US D788,022 S**
Sareen (45) **Date of Patent:** **** May 30, 2017**

(54) **TIRE TREAD**
(71) Applicant: **Omni United (S) PTE Ltd.**, Singapore (SG)
(72) Inventor: **Gajendra Singh Sareen**, Singapore (SG)
(73) Assignee: **OMNI UNITED (S) PTE LTD.**, Singapore (SG)

D559,769 S * 1/2008 Heinen D12/551
D574,318 S * 8/2008 Ashton D12/553
D583,305 S * 12/2008 Ashton D12/553
D589,435 S * 3/2009 Ashton D12/563
D595,219 S * 6/2009 Yamakawa D12/553
D595,639 S * 7/2009 de Briey-Terlinden D12/553
D612,798 S * 3/2010 Miyazaki D12/553
D640,184 S * 6/2011 de Briey-Terlinden D12/553
D683,301 S * 5/2013 Kang D12/552

* cited by examiner

(**) Term: **14 Years**

Primary Examiner — Robert M Spear

Assistant Examiner — John Voytek

(21) Appl. No.: **29/522,694**

(74) *Attorney, Agent, or Firm* — Steptoe & Johnson LLP

(22) Filed: **Apr. 1, 2015**

(57) **CLAIM**

(51) **LOC (10) Cl.** **12-15**

I claim the ornamental design for a tire tread, as shown and described.

(52) **U.S. Cl.**
USPC **D12/551**

(58) **Field of Classification Search**
USPC D12/533–567
CPC B60C 1/0016; B60C 11/0306; B60C 11/0302; B60C 3/06; B60C 9/17
See application file for complete search history.

DESCRIPTION

FIG. 1 is a perspective view of a tire tread as shown in a section defined by lines A-A and B-B; and, FIG. 2 is an enlarged view of the tire tread shown as the section defined by lines A-A and B-B in FIG. 1. In FIGS. 1-2, the dash/dot/dash/dot broken lines depict claim boundaries and form no part of the claim; the evenly spaced broken lines illustrate portions of the article that form no part of the claimed design.

(56) **References Cited**

U.S. PATENT DOCUMENTS

D446,170 S * 8/2001 Williams D12/550
D504,866 S * 5/2005 Collette D12/553
D535,247 S * 1/2007 Shondel D12/553
D535,248 S * 1/2007 Ashton D12/553

1 Claim, 2 Drawing Sheets

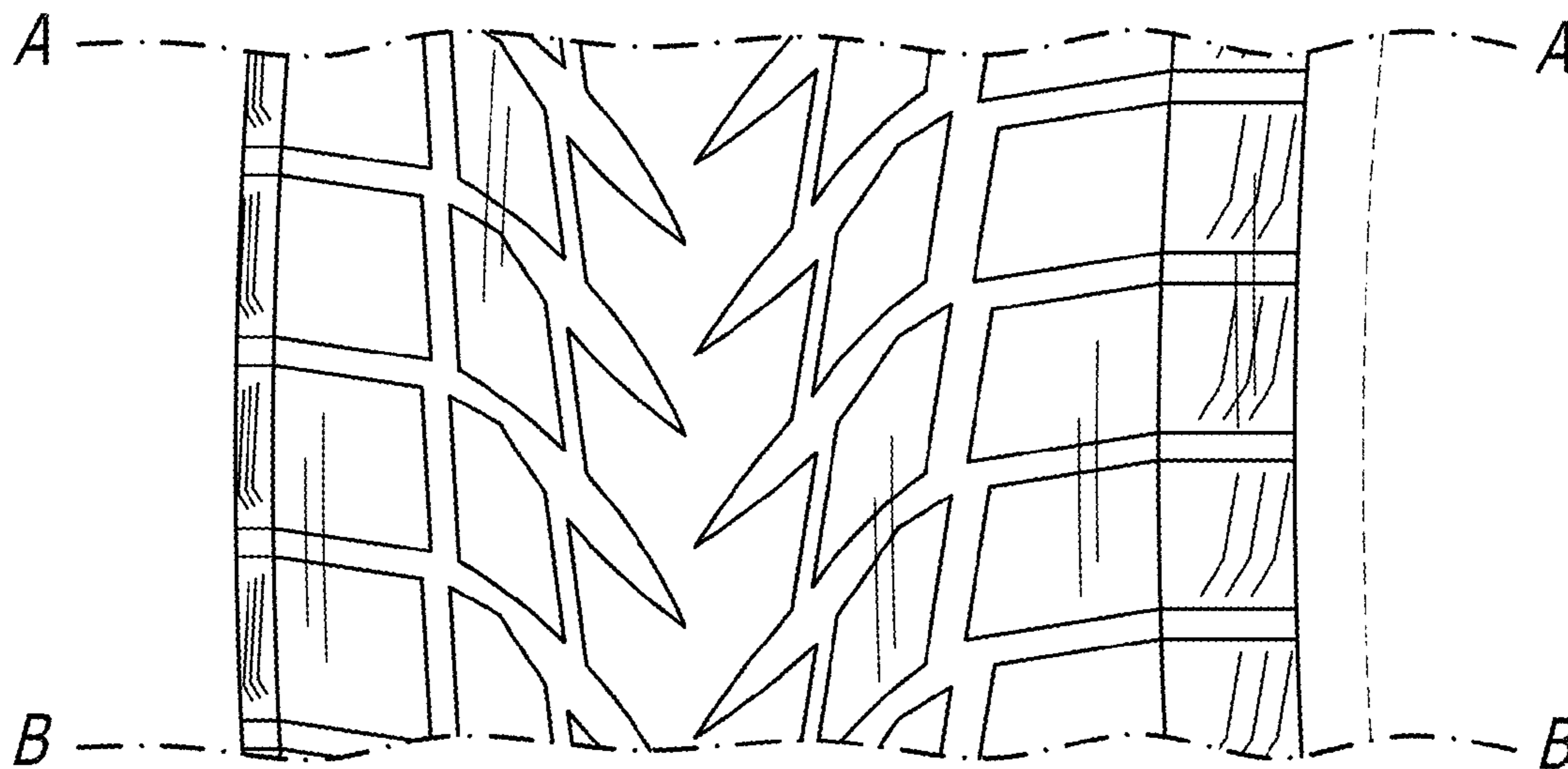


FIG. 1

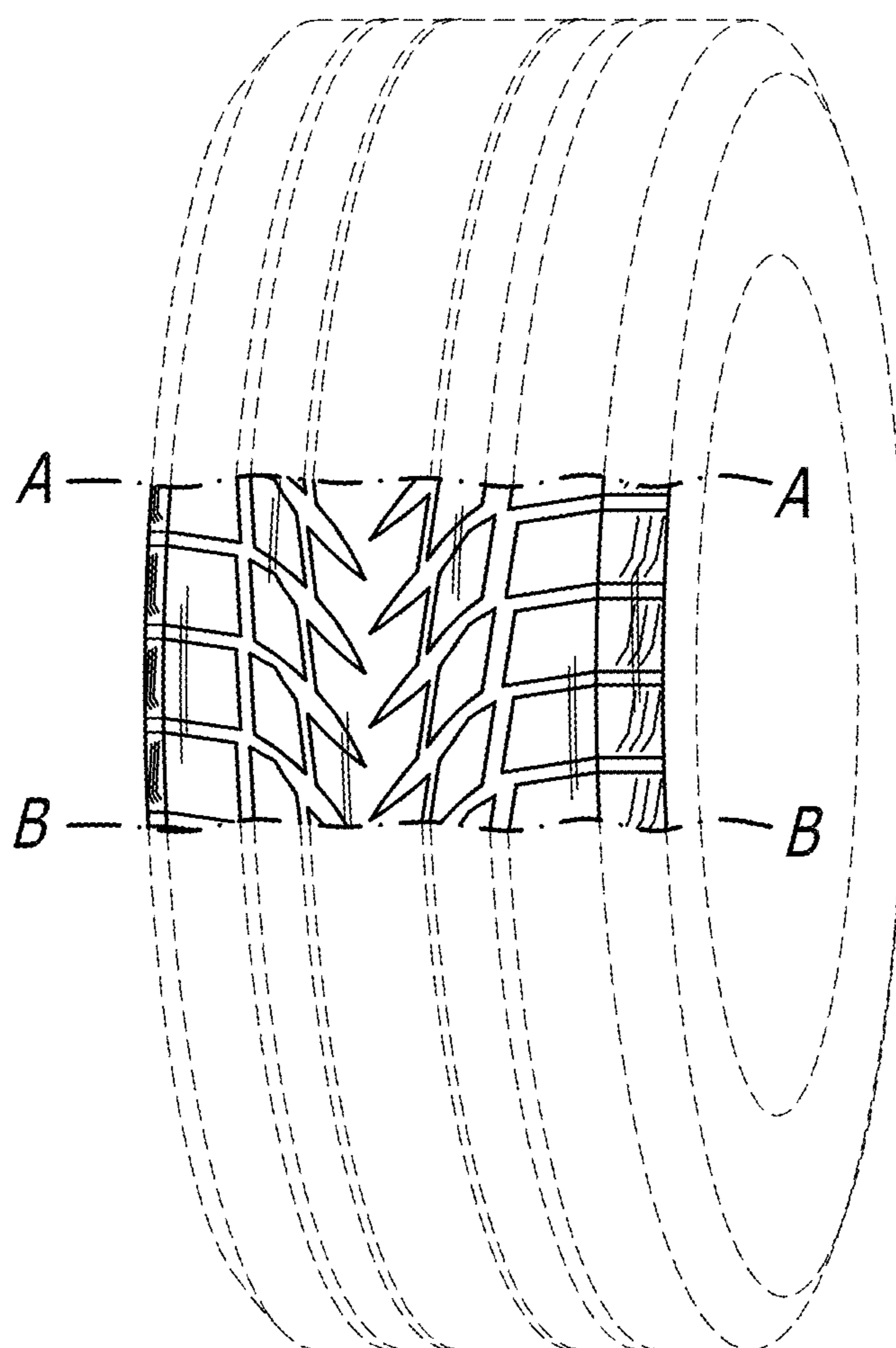


FIG. 2

