



US00D788020S

(12) **United States Design Patent**
Yaguchi

(10) **Patent No.:** **US D788,020 S**

(45) **Date of Patent:** **** May 30, 2017**

(54) **CONSOLE FOR AN AUTOMOBILE**

6,616,206 B2 * 9/2003 Luginbill B60N 2/4646
224/539

(71) Applicant: **HONDA MOTOR CO., LTD.**, Tokyo
(JP)

D522,957 S * 6/2006 Miyashita D12/415

D568,232 S * 5/2008 Motozaki D12/421

D724,521 S * 3/2015 Ashley D12/419

D725,583 S * 3/2015 Seki D12/419

(72) Inventor: **Fumihiko Yaguchi**, Wako (JP)

9,199,579 B2 * 12/2015 Gillis B60R 7/04

D766,811 S * 9/2016 Shouno D12/419

(73) Assignee: **HONDA MOTOR CO., LTD.**, Tokyo
(JP)

D766,812 S * 9/2016 Kabata D12/423

D770,361 S * 11/2016 Chan D12/419

D770,968 S * 11/2016 Willis D12/415

(**) Term: **15 Years**

* cited by examiner

(21) Appl. No.: **29/555,857**

Primary Examiner — Katrina A Betton

(22) Filed: **Feb. 25, 2016**

(74) *Attorney, Agent, or Firm* — Westerman, Hattori,
Daniels & Adrian, LLP

(30) **Foreign Application Priority Data**

Aug. 28, 2015 (JP) 2015-018997

(51) **LOC (10) Cl.** **12-16**

(52) **U.S. Cl.**

USPC **D12/415**

(58) **Field of Classification Search**

USPC D12/415-420, 400, 191, 106, 195, 345,
D12/96, 99

CPC B60R 7/04; B60R 7/08

See application file for complete search history.

(56) **References Cited**

U.S. PATENT DOCUMENTS

D359,266 S * 6/1995 Karp D12/419

D448,720 S * 10/2001 Nash D12/192

(57) **CLAIM**

The ornamental design for a console for an automobile, as shown and described.

DESCRIPTION

FIG. 1 is a front side perspective view of a console for an automobile;

FIG. 2 is a rear side perspective view thereof;

FIG. 3 is a front view thereof;

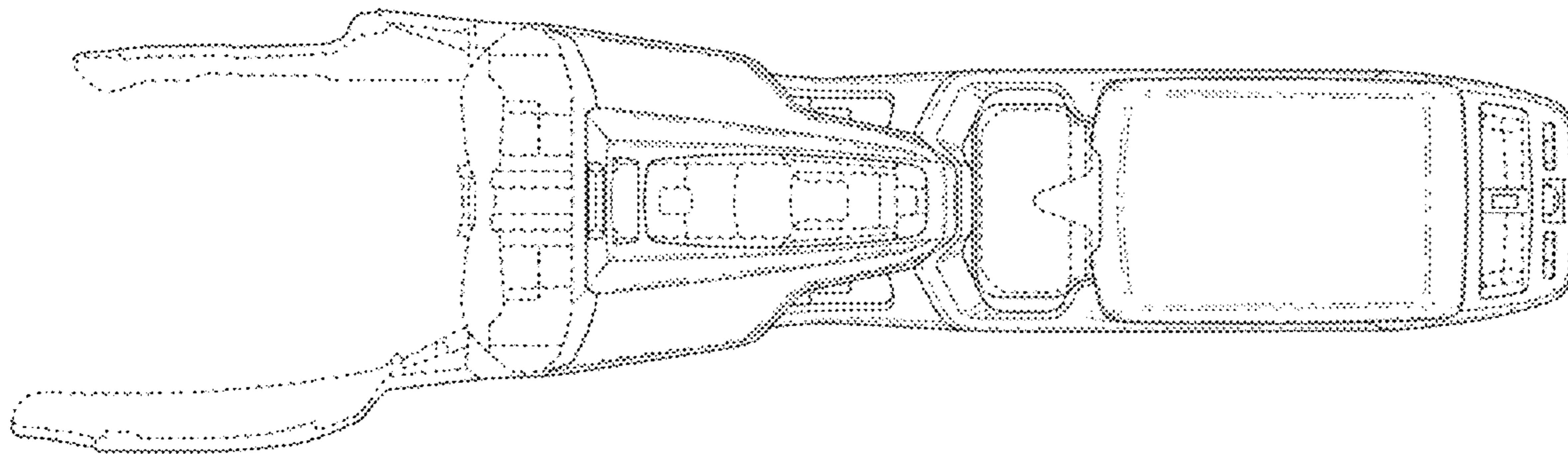
FIG. 4 is a plan view thereof;

FIG. 5 is a right side view thereof; and,

FIG. 6 is a rear view thereof.

The broken lines form no part of the claimed design.

1 Claim, 6 Drawing Sheets



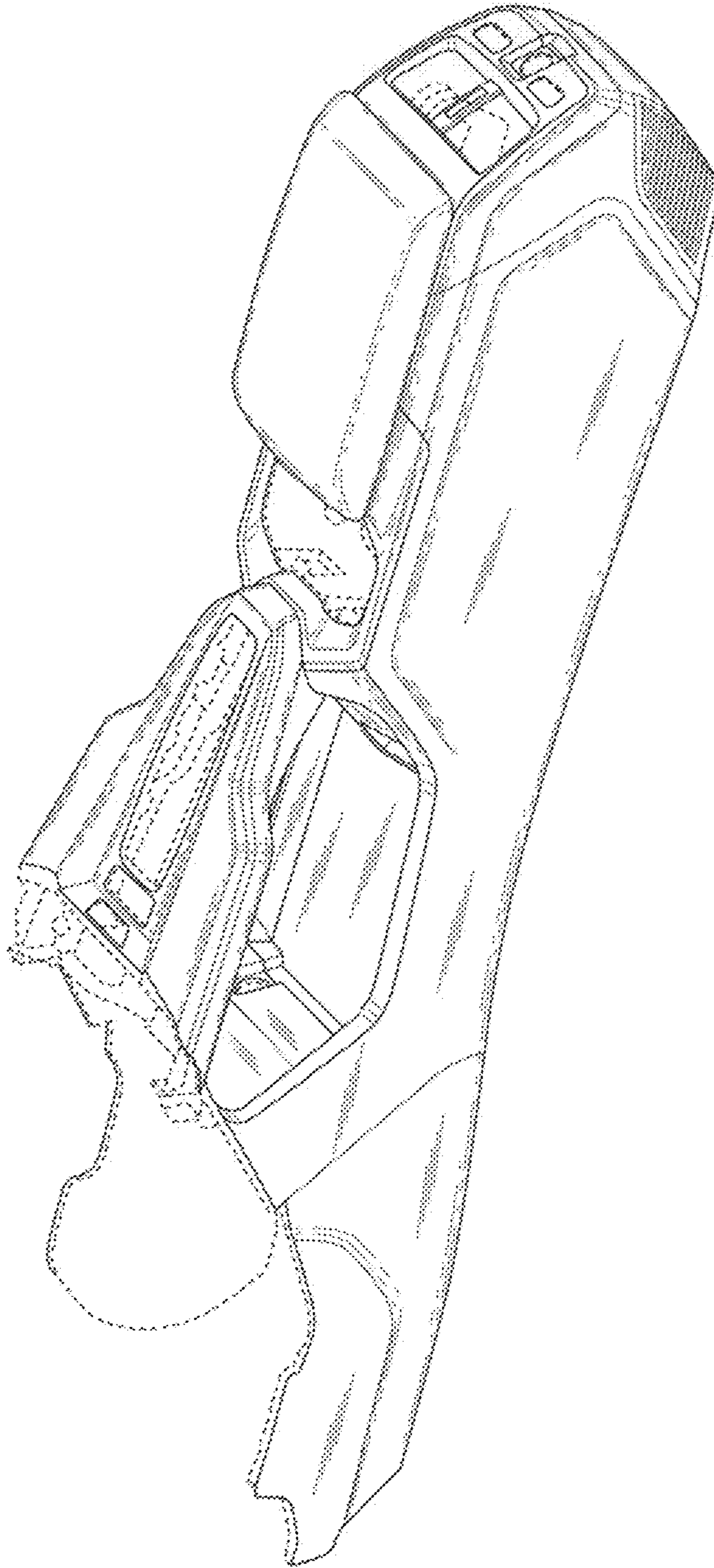


FIG.1

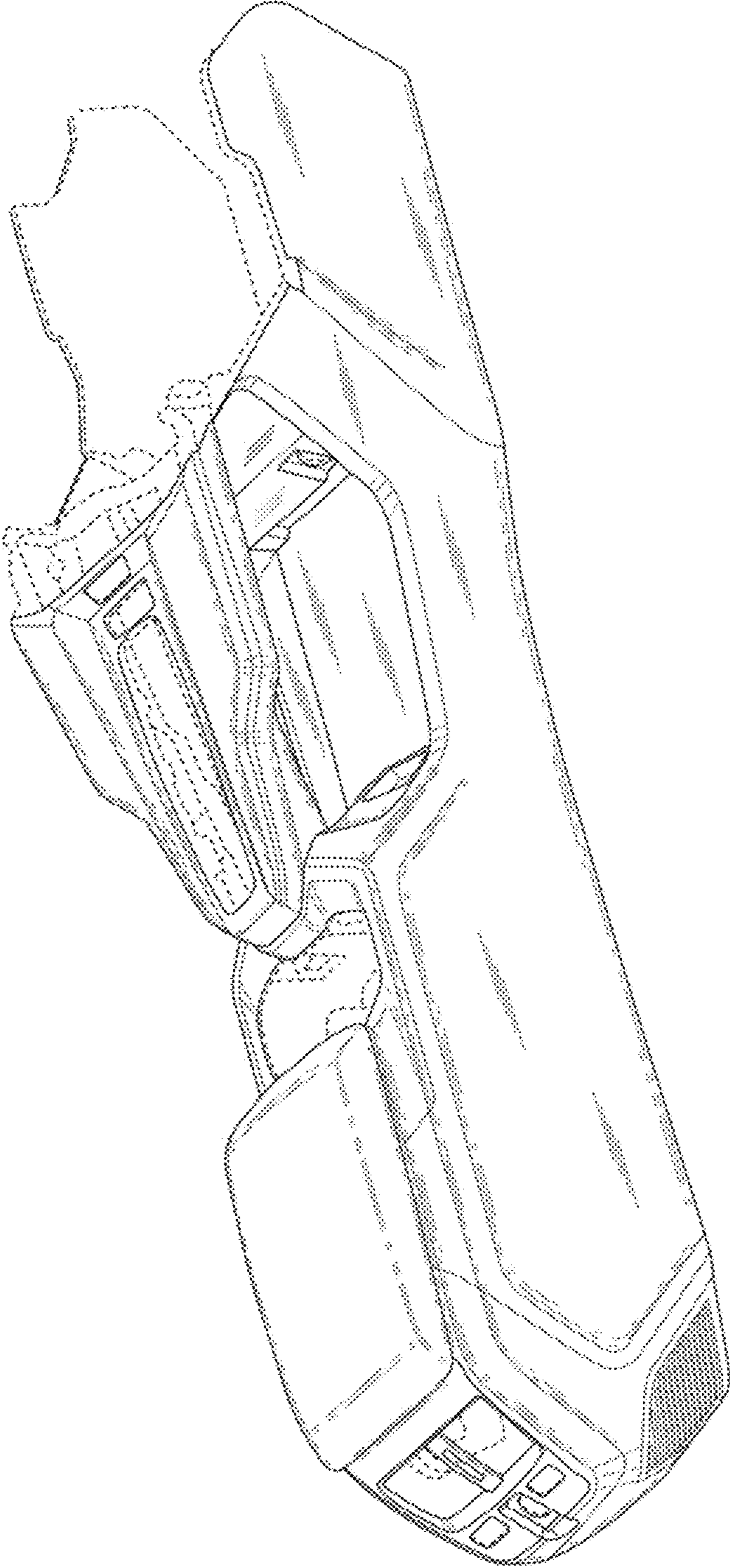


FIG.2

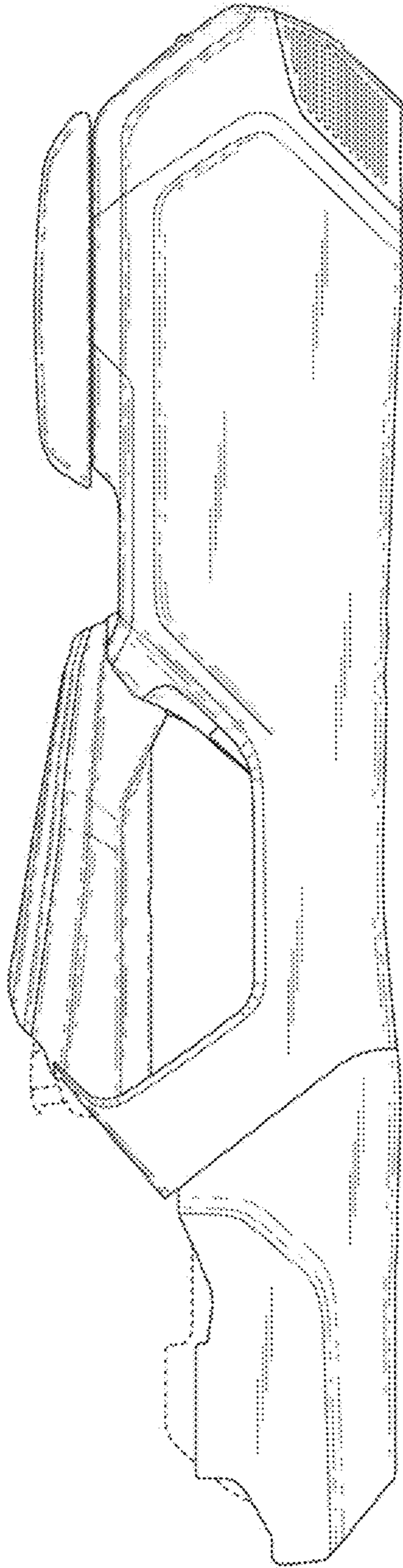


FIG.3

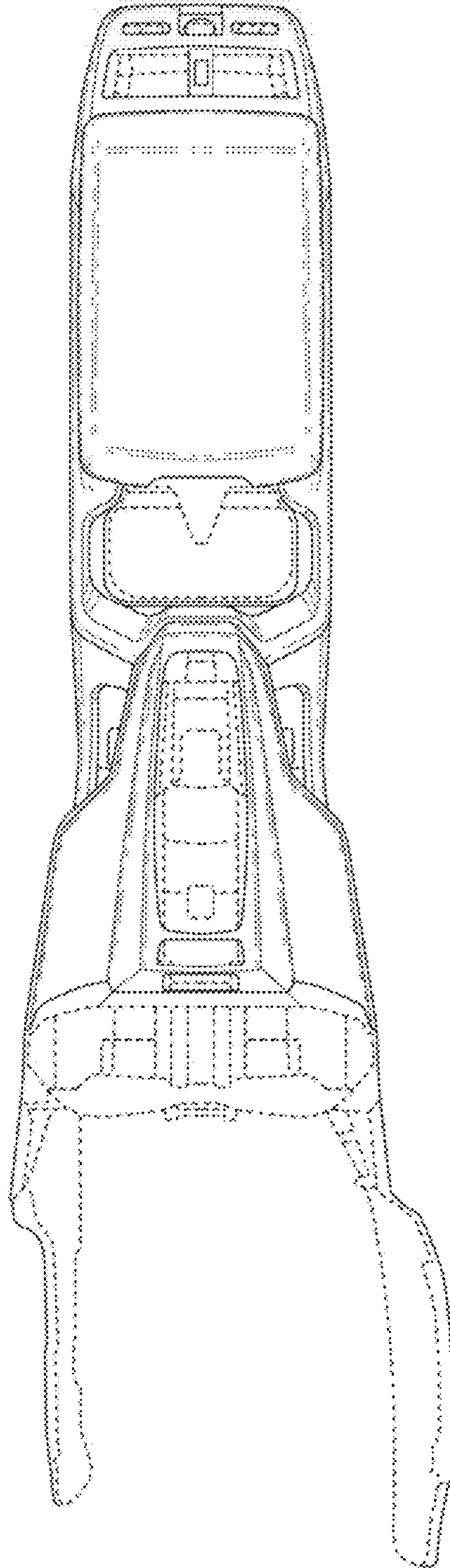


FIG.4

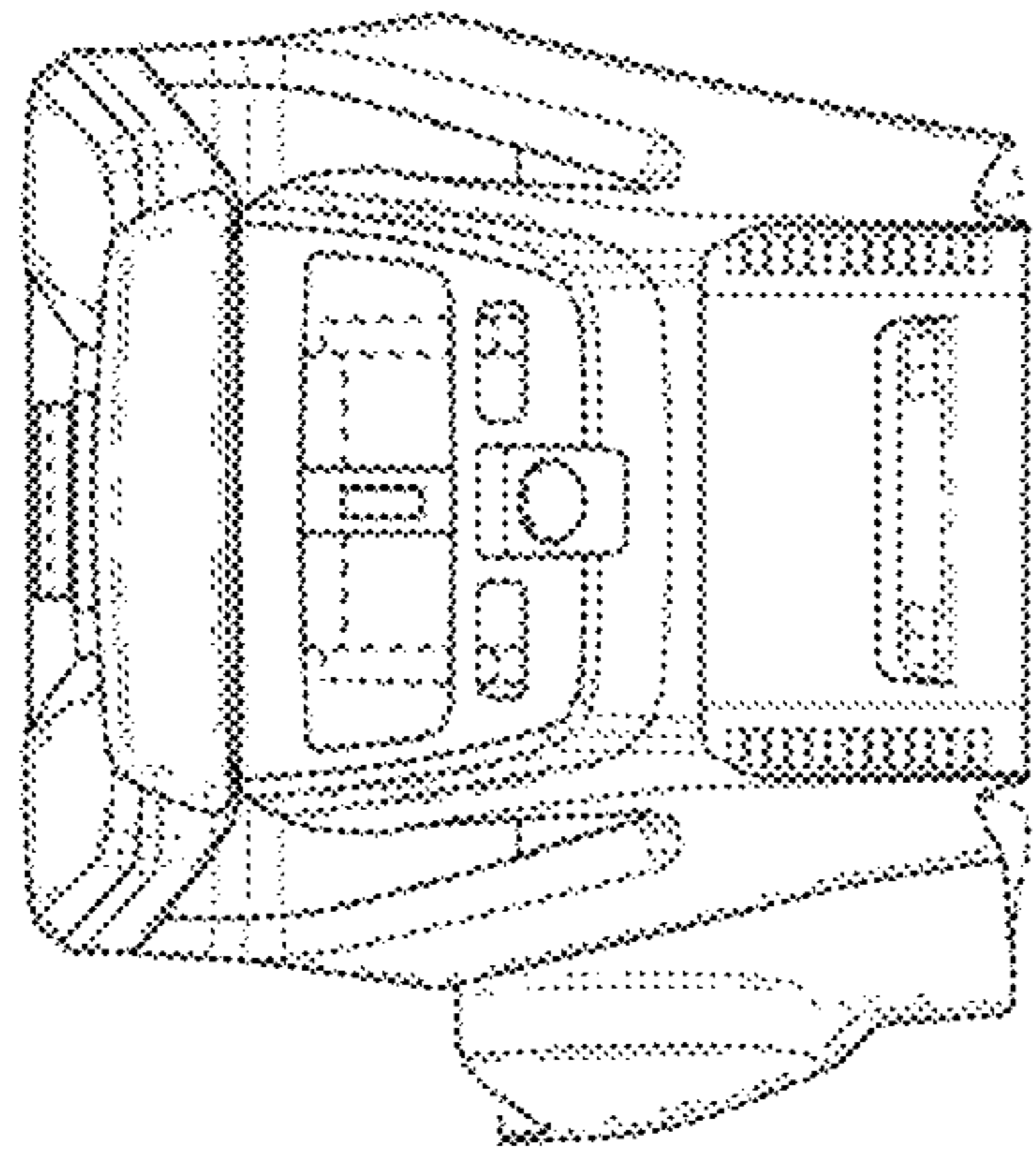


FIG.5

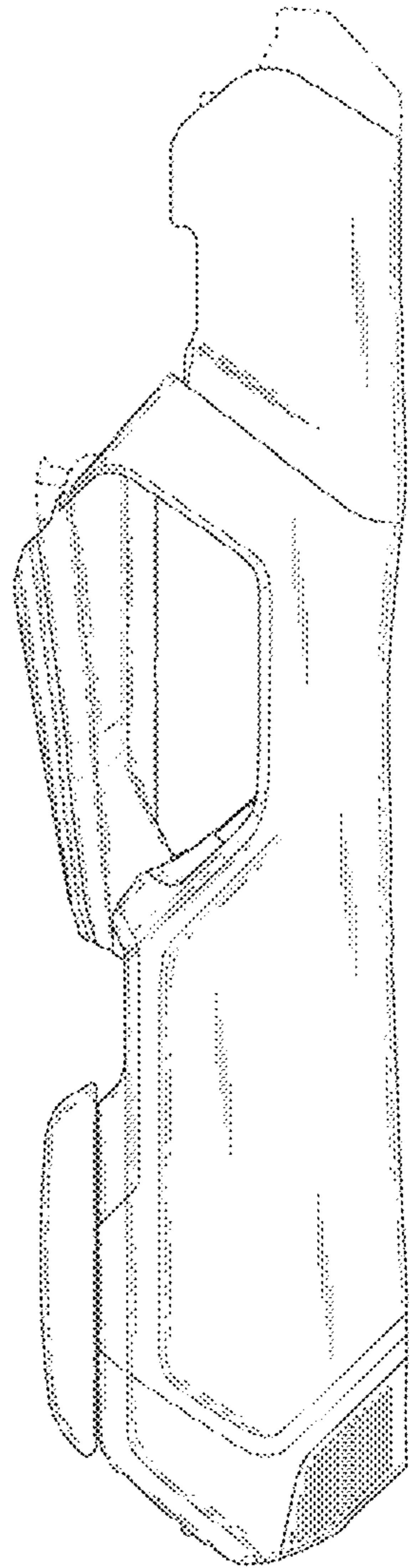


FIG.6