



US00D788019S

(12) **United States Design Patent** (10) **Patent No.:** **US D788,019 S**
Kuschmeader et al. (45) **Date of Patent:** **** May 30, 2017**

(54) **BICYCLE CARRIER**
(71) Applicants: **Luke E. Kuschmeader**, Battlefield, MO (US); **Josh H. Schwartz**, Springfield, MO (US)
(72) Inventors: **Luke E. Kuschmeader**, Battlefield, MO (US); **Josh H. Schwartz**, Springfield, MO (US)

D669,016 S * 10/2012 Pozzi D12/408
D672,704 S * 12/2012 Grago D12/408
D703,605 S * 4/2014 Sautter D12/408
D706,209 S * 6/2014 Flaherty D12/407
D707,617 S 6/2014 Flaherty et al.
D717,718 S * 11/2014 Williams D12/408
D727,831 S * 4/2015 Eriksson D12/407
D731,400 S * 6/2015 Condon D12/408
2009/0120984 A1 * 5/2009 Sautter B60R 9/10
224/497
2013/0062385 A1 * 3/2013 Pedrini B60R 9/06
224/501

(**) Term: **15 Years**

(21) Appl. No.: **29/539,324**

(22) Filed: **Sep. 13, 2015**

(51) **LOC (10) Cl.** **12-16**

(52) **U.S. Cl.**
USPC **D12/408**

(58) **Field of Classification Search**
USPC D12/111, 406, 407, 408, 412, 414;
224/42.11, 314, 331, 329, 400, 412, 419,
224/442.12, 451, 461, 488, 489, 495, 497,
224/499, 500, 502, 504, 511-537, 924;
280/202, 304.05; 296/37.1
CPC .. B60R 9/06; B60R 9/10; B60R 9/045; B60R
9/048; B60R 11/00
See application file for complete search history.

(56) **References Cited**

U.S. PATENT DOCUMENTS

6,019,266 A * 2/2000 Johnson B60R 9/06
224/508
D430,533 S * 9/2000 Peschmann D12/408
7,815,083 B2 * 10/2010 Clausen B60R 9/06
224/497
D630,572 S * 1/2011 Weaver D12/408
D637,137 S 5/2011 Weaver et al.
8,025,196 B2 9/2011 Flaherty et al.

OTHER PUBLICATIONS

2011 Product Guides, Sherpa, Küat Innovations, 4520 W Kearney St, Suite 100, Springfield, MO 65803, (417) 889-5820.
The Sherpa, Bicycling Online, Aug. 2011, Gear & Bike Review, bicycling.com.

* cited by examiner

Primary Examiner — Darlington Ly
(74) *Attorney, Agent, or Firm* — Richard L. Marsh

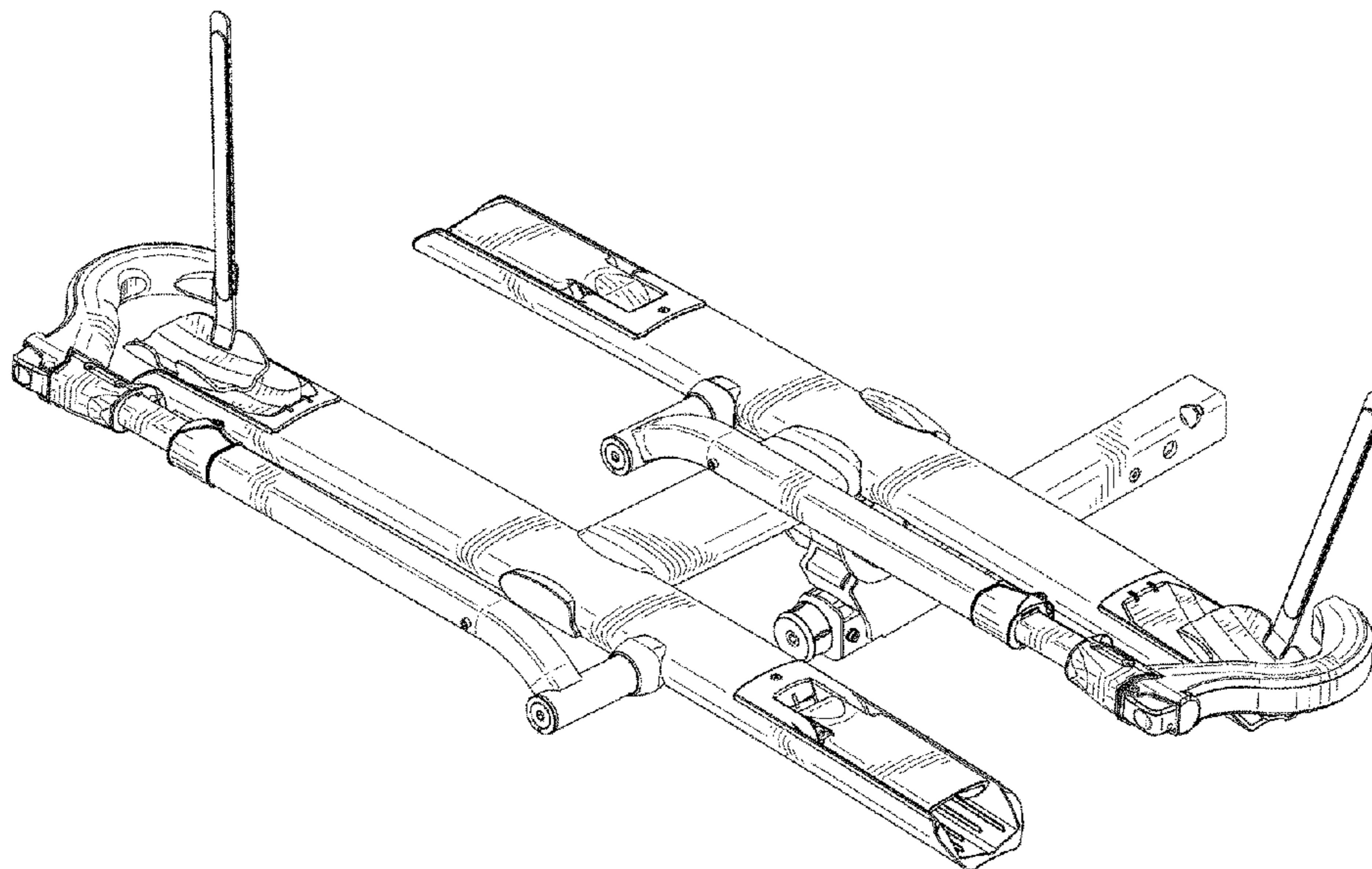
(57) **CLAIM**

The ornamental design for a bicycle carrier, as shown and described.

DESCRIPTION

FIG. 1 is a top, front, and right-side perspective view of a bicycle carrier showing my new design;
FIG. 2 is a front elevation view of the bicycle carrier;
FIG. 3 is a rear elevation view thereof;
FIG. 4 is a left side elevation view thereof;
FIG. 5 is a right side elevation view thereof;
FIG. 6 is a top plan view thereof; and,
FIG. 7 is a bottom plan view thereof.

1 Claim, 7 Drawing Sheets



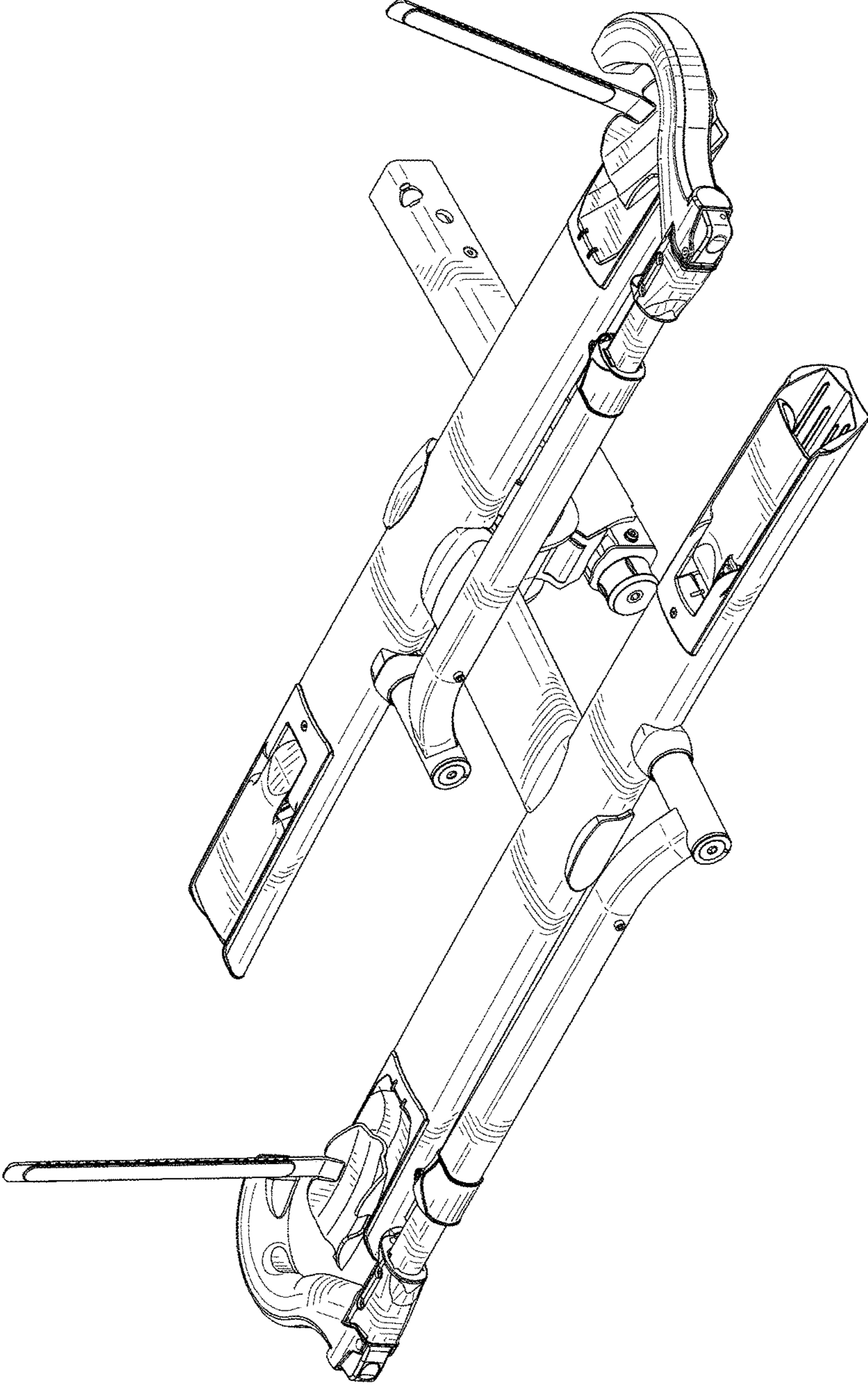


FIGURE 1

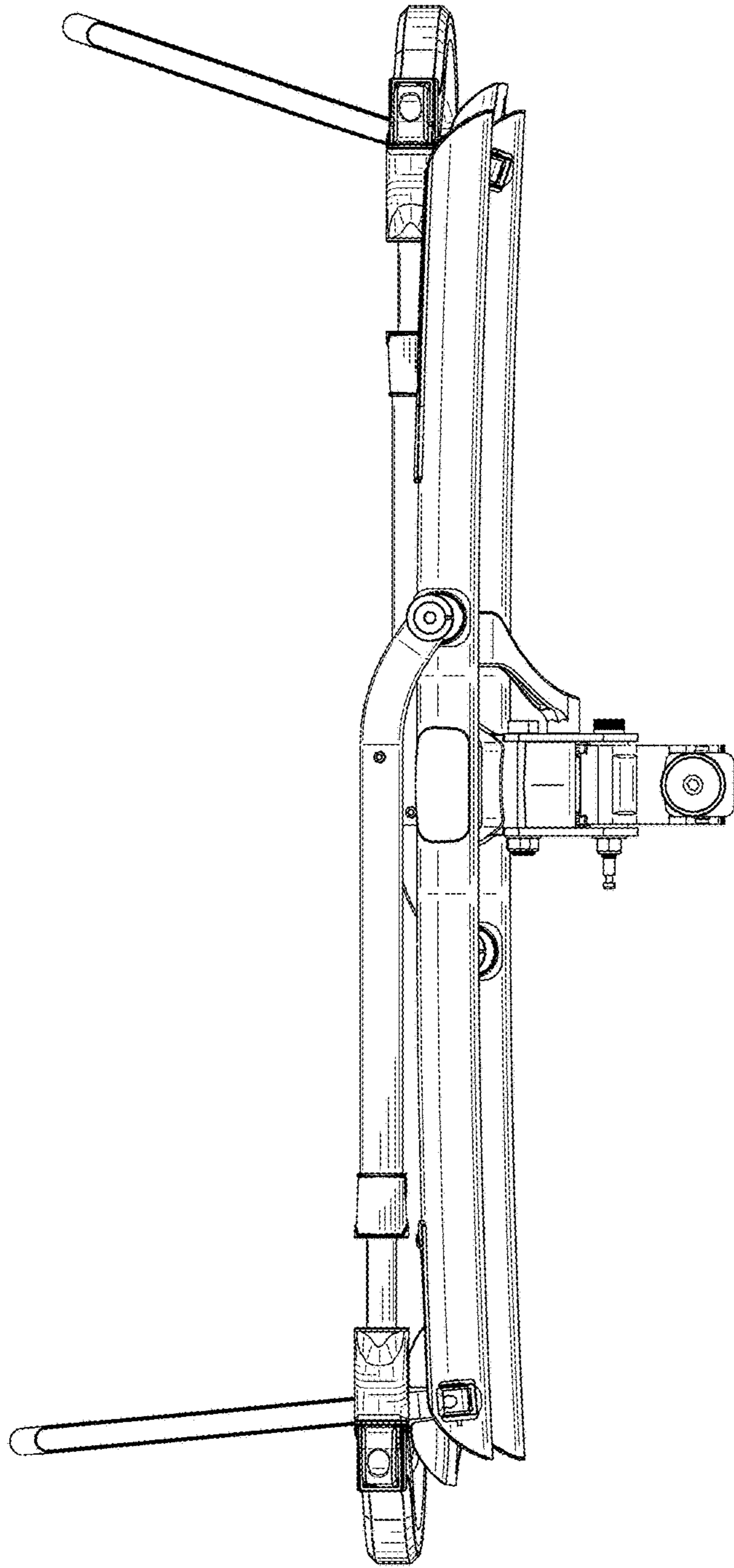


FIGURE 2

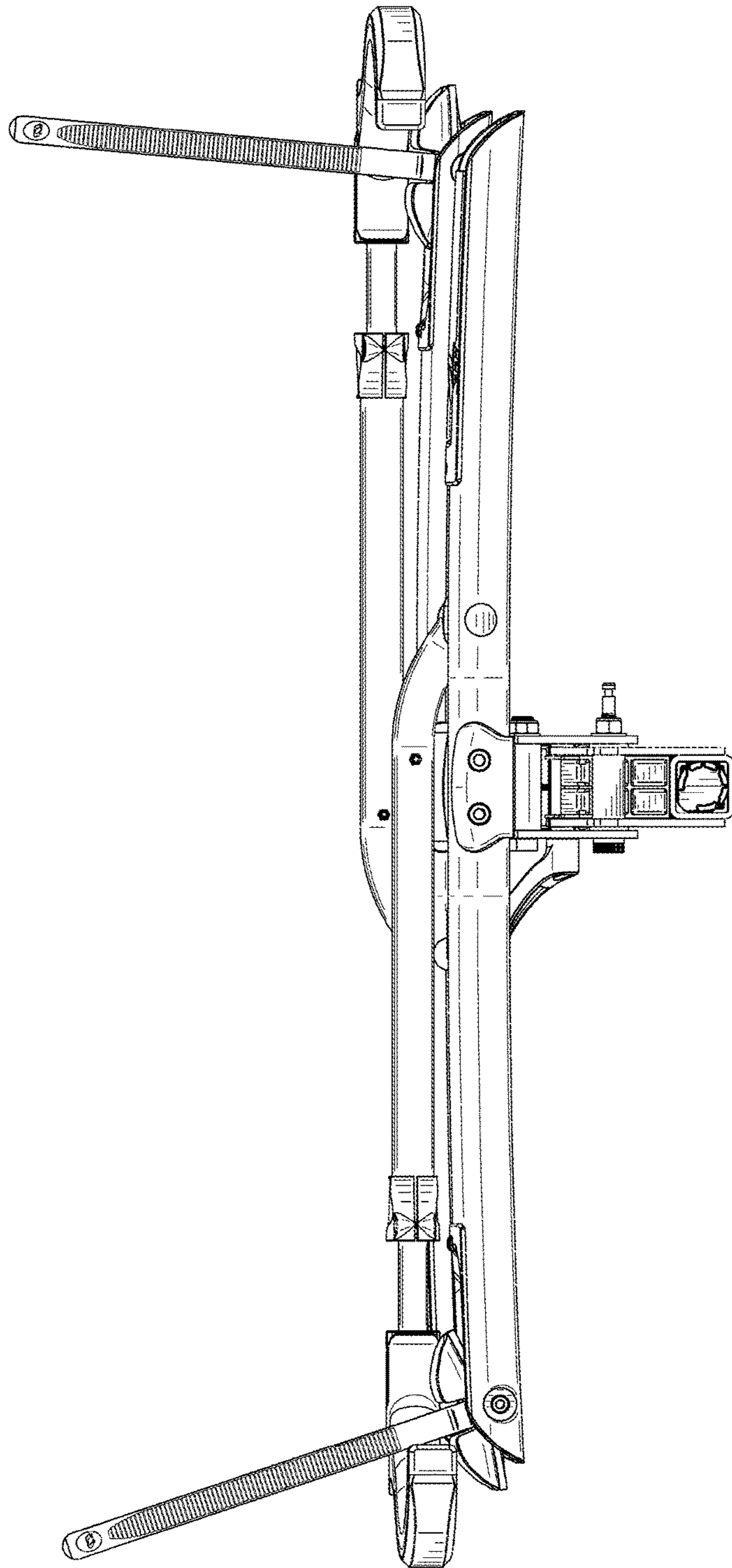


FIGURE 3

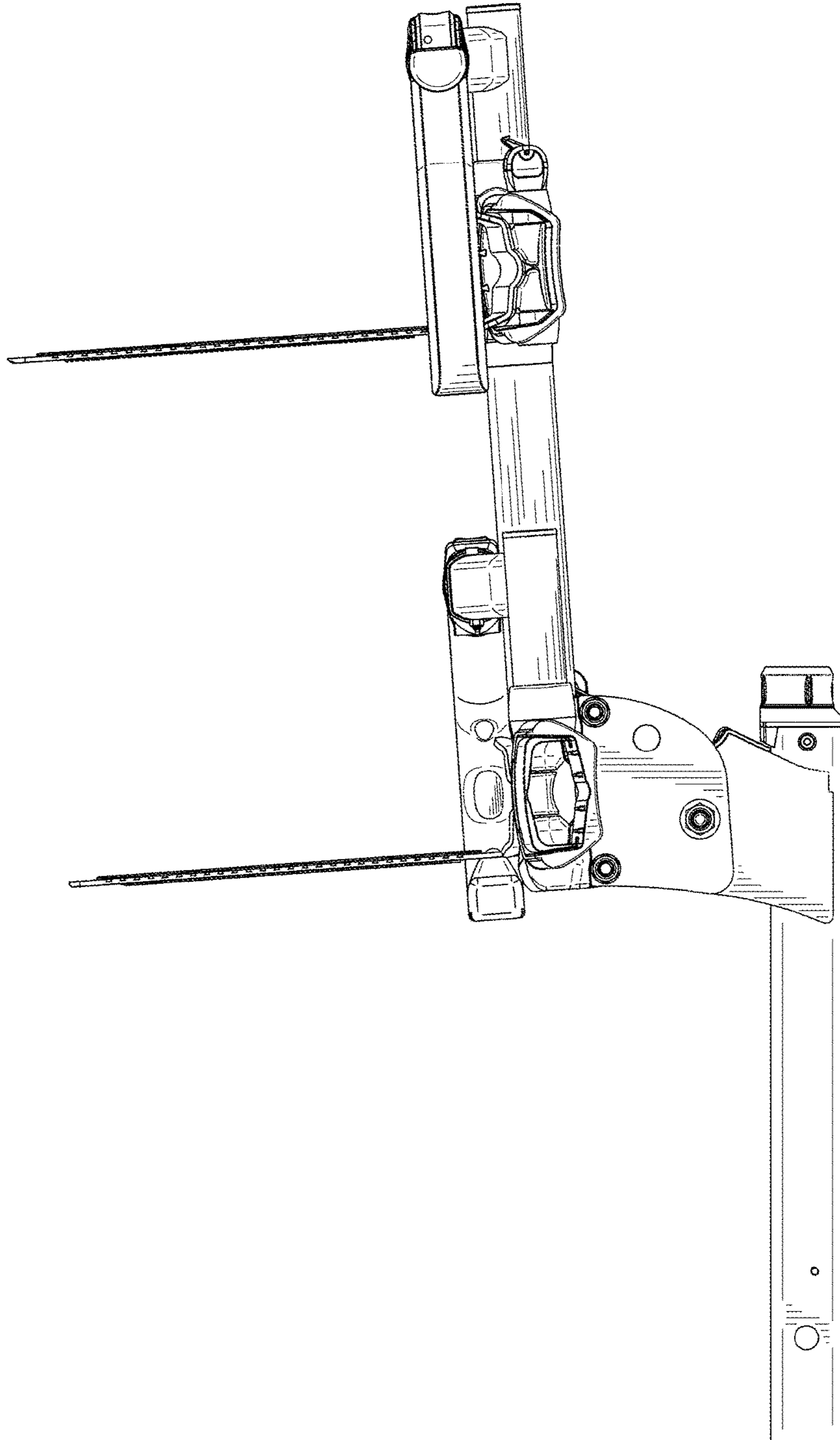


FIGURE 4

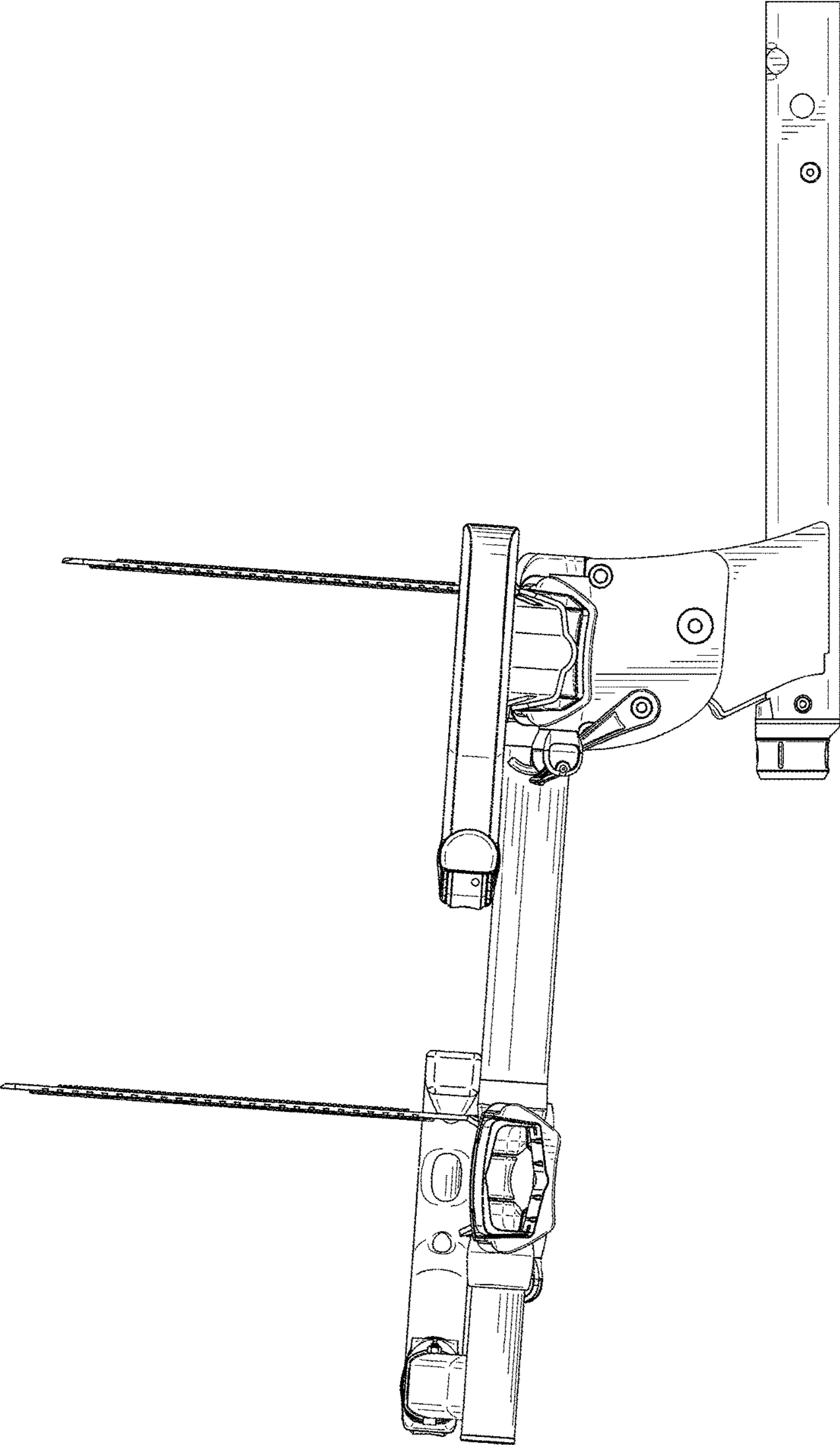


FIGURE 5

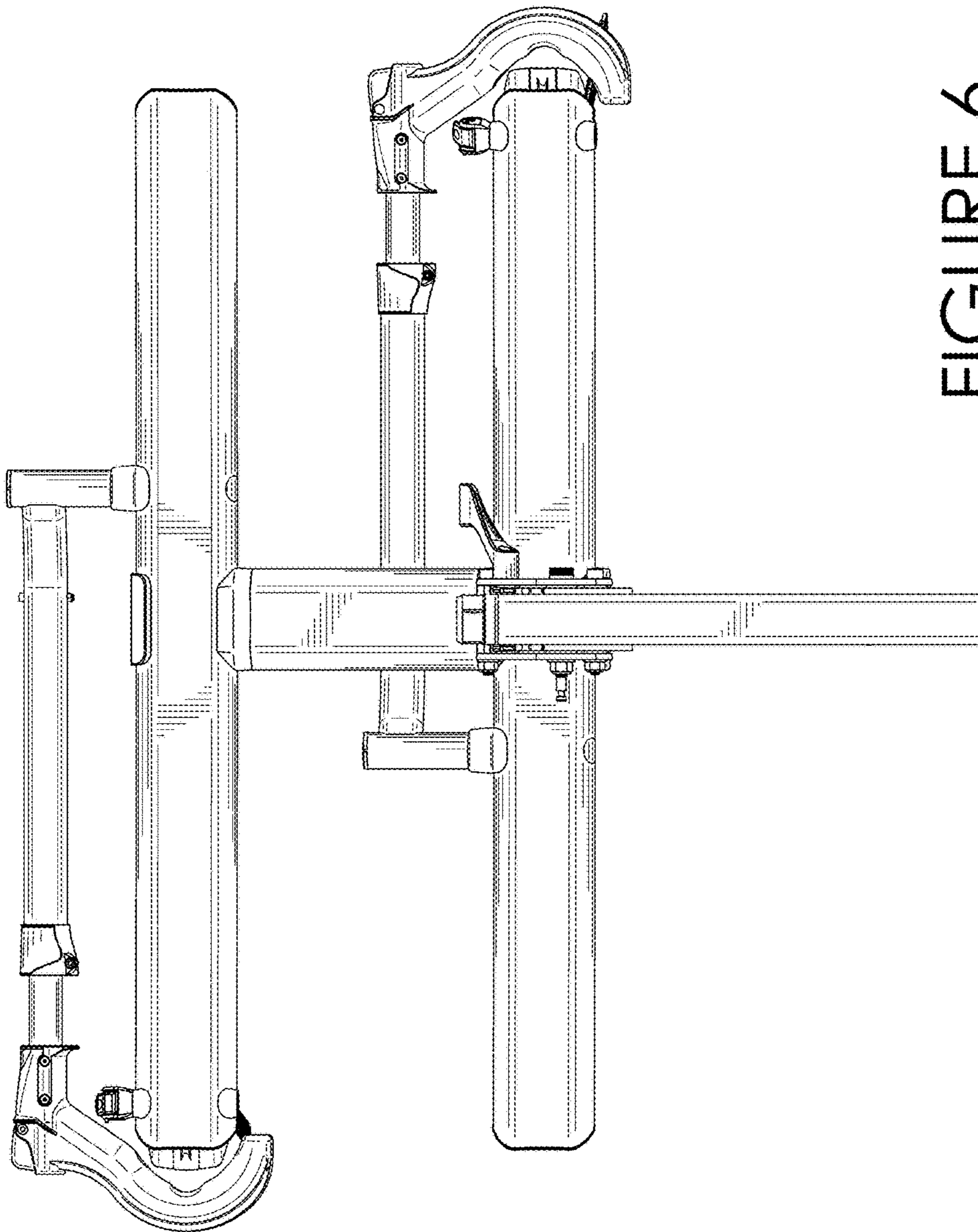


FIGURE 6

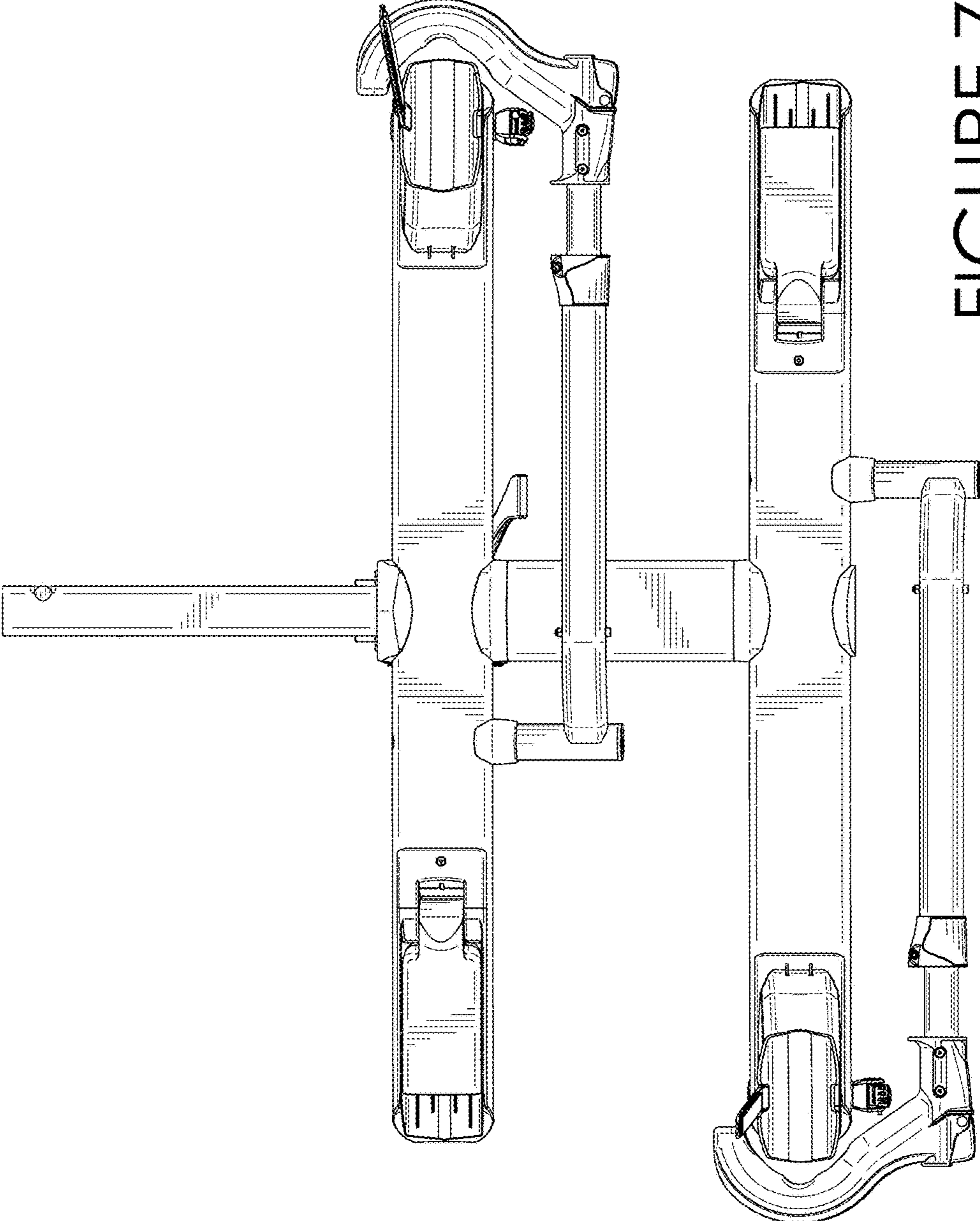


FIGURE 7