



US00D788016S

(12) **United States Design Patent** (10) **Patent No.:** **US D788,016 S**
Blincow (45) **Date of Patent:** **** May 30, 2017**

(54) **SATELLITE**
(71) Applicant: **John Jeffrey Blincow**, Alta Loma, CA (US)
(72) Inventor: **John Jeffrey Blincow**, Alta Loma, CA (US)
(**) Term: **14 Years**

4,872,625 A * 10/1989 Filley B64G 1/12
244/159.4
4,878,637 A * 11/1989 Mullen B64G 1/12
244/159.4
5,305,970 A * 4/1994 Porter B64G 1/1078
244/135 R
5,429,851 A * 7/1995 Sallee B64G 1/12
244/158.1
5,580,013 A * 12/1996 Velke B64G 1/12
244/159.5

(21) Appl. No.: **29/513,405**
(22) Filed: **Dec. 30, 2014**
(51) **LOC (10) Cl.** **12-07**
(52) **U.S. Cl.**
USPC **D12/320**
(58) **Field of Classification Search**
USPC D25/1, 4, 12, 15, 16-18, 21, 31-34, 56,
D25/10, 22, 61, 19, 30; D21/837; 52/86,
52/73-78, 79.1, 79.5; D12/320;
244/172.4, 159.4, 158.4
CPC E04B 7/08; E04B 1/3205; E04B 1/3416;
E04B 1/3408; E04H 15/36; E04H
1/1205-1/14; E04H 1/02; E04H 3/08;
E04H 3/04; E04H 3/02; E04H 1/005;
E04H 1/12; E04H 15/008; B64G 1/646;
B64G 1/12; B64G 1/1078; B64G 1/1092
See application file for complete search history.

(Continued)

Primary Examiner — Susan Bennett Hattan
Assistant Examiner — Brett Miller

(57) **CLAIM**

The ornamental design for a satellite, as shown and described.

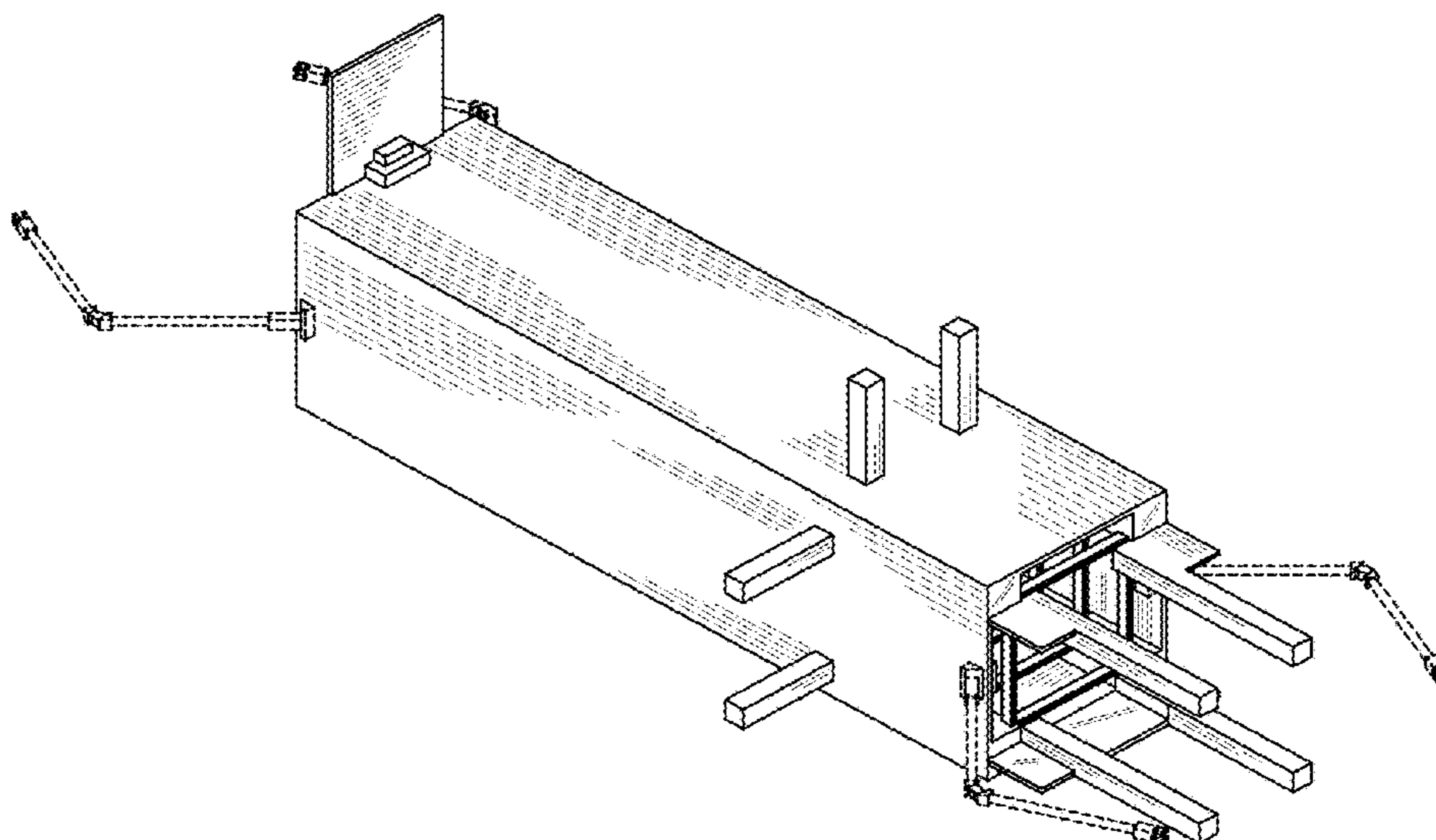
DESCRIPTION

FIG. 1 is a front elevational view of a satellite showing my new invention;
FIG. 2 is a rear elevational view thereof;
FIG. 3 is a left side elevational view thereof;
FIG. 4 is a right side elevational view thereof;
FIG. 5 is a top plan view thereof;
FIG. 6 is a bottom plan view thereof;
FIG. 7 is a perspective view of a satellite;
FIG. 8 is a right view thereof, showing the plane upon which a cross-sectional view is taken and shown in FIG. 9 and FIG. 10;
FIG. 9 is a perspective sectional view taken from section line A-A in FIG. 8 thereof; revealing the internal conveyor and support beam assembly; and,
FIG. 10 is a rear sectional view taken from section line A-A in FIG. 8 thereof.

The even length broken lines depict environment and form no part of the claim.
The dot-dot-dash broken lines depict section lines and form no part of the claim.

(56) **References Cited**
U.S. PATENT DOCUMENTS
3,262,593 A * 7/1966 Hainer B25J 5/04
105/147
3,737,117 A * 6/1973 Belew B64G 1/646
244/137.2
3,820,741 A * 6/1974 Ratcliff B64G 1/646
244/172.4
4,772,175 A * 9/1988 Grimaldi B64G 9/00
182/103
4,792,108 A * 12/1988 Bull B64G 1/12
244/159.4

1 Claim, 10 Drawing Sheets



(56)

References Cited

U.S. PATENT DOCUMENTS

6,045,094	A *	4/2000	Rivera	B64G 1/12 244/159.4
7,503,526	B1 *	3/2009	Taylor	B64G 1/646 244/158.2
7,513,459	B2 *	4/2009	Cepollina	B64G 1/007 244/158.6
7,559,508	B1 *	7/2009	Taylor	B64G 1/646 244/159.4
D631,559	S *	1/2011	Gibson	D25/33
8,226,046	B2 *	7/2012	Poulos	B64G 1/646 244/158.1
8,448,902	B2 *	5/2013	Gelon	B64G 1/1007 244/158.1
2005/0103940	A1 *	5/2005	Bischof	B64G 4/00 244/172.4
2014/0319282	A1 *	10/2014	Bigelow	B64G 1/12 244/159.4
2015/0008290	A1 *	1/2015	Bigelow	B64G 1/646 244/172.4
2015/0053823	A1 *	2/2015	Bigelow	B64G 1/646 244/172.4
2015/0266595	A1 *	9/2015	Ghofranian	B64G 1/646 244/172.4
2016/0185472	A1 *	6/2016	Blincow	B64G 5/00 29/650
2016/0207641	A1 *	7/2016	Myers	B64G 1/1078

* cited by examiner

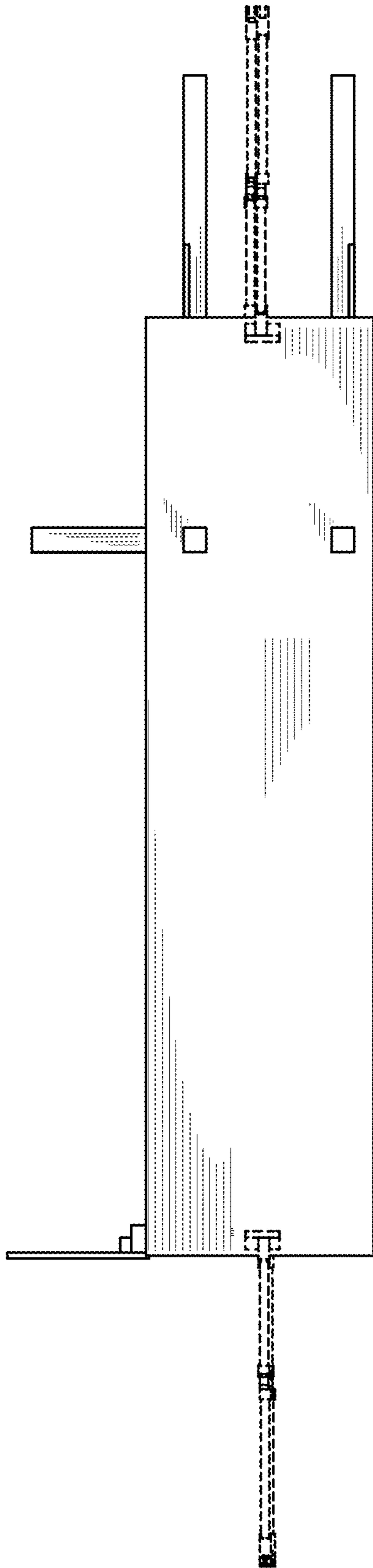


FIG. 1

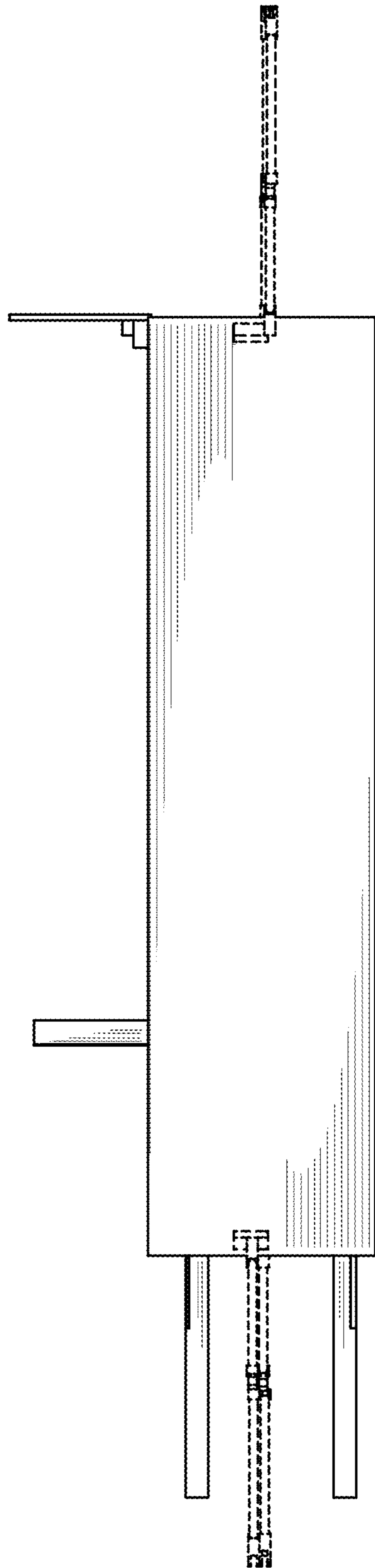


FIG. 2

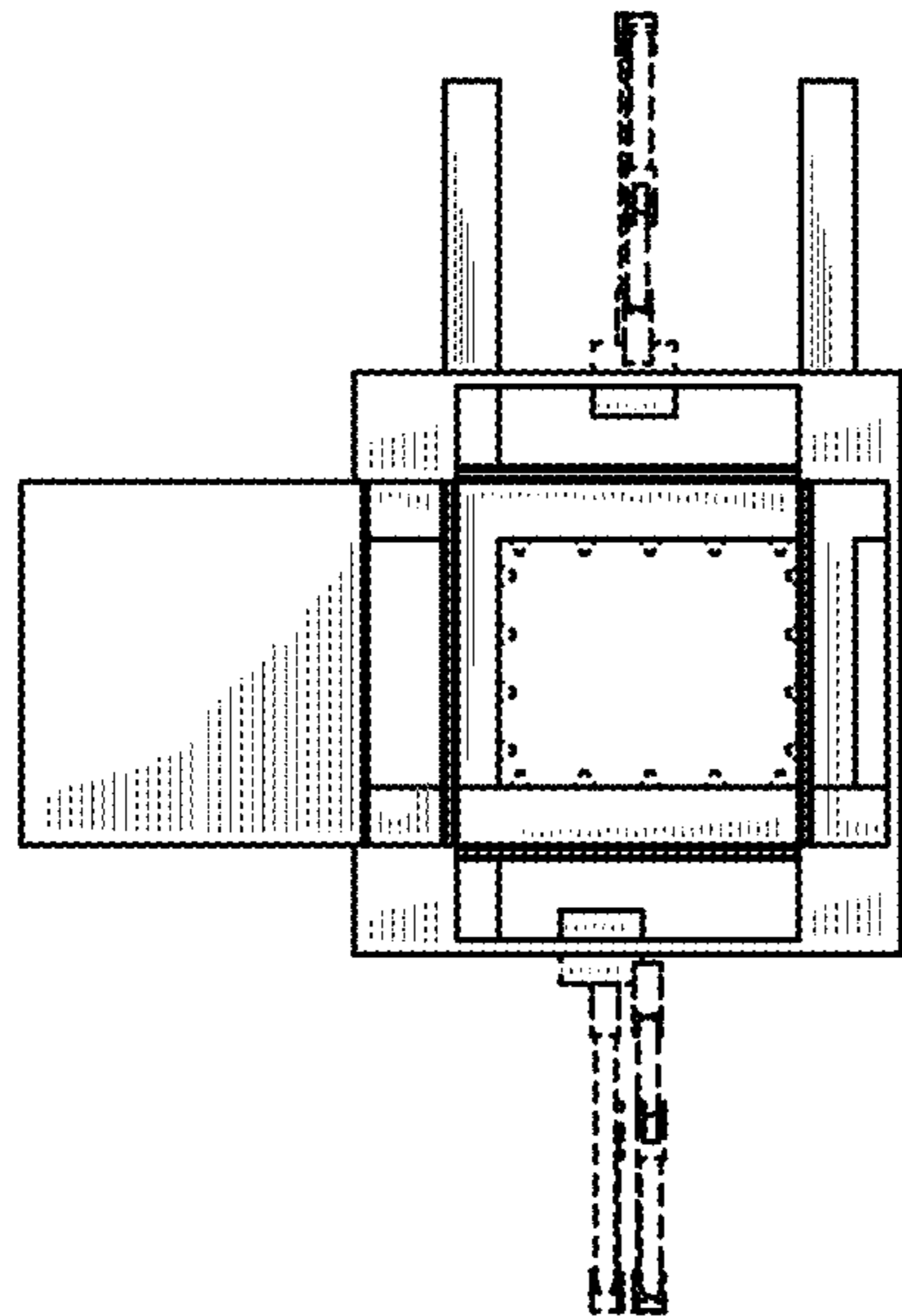


FIG. 3

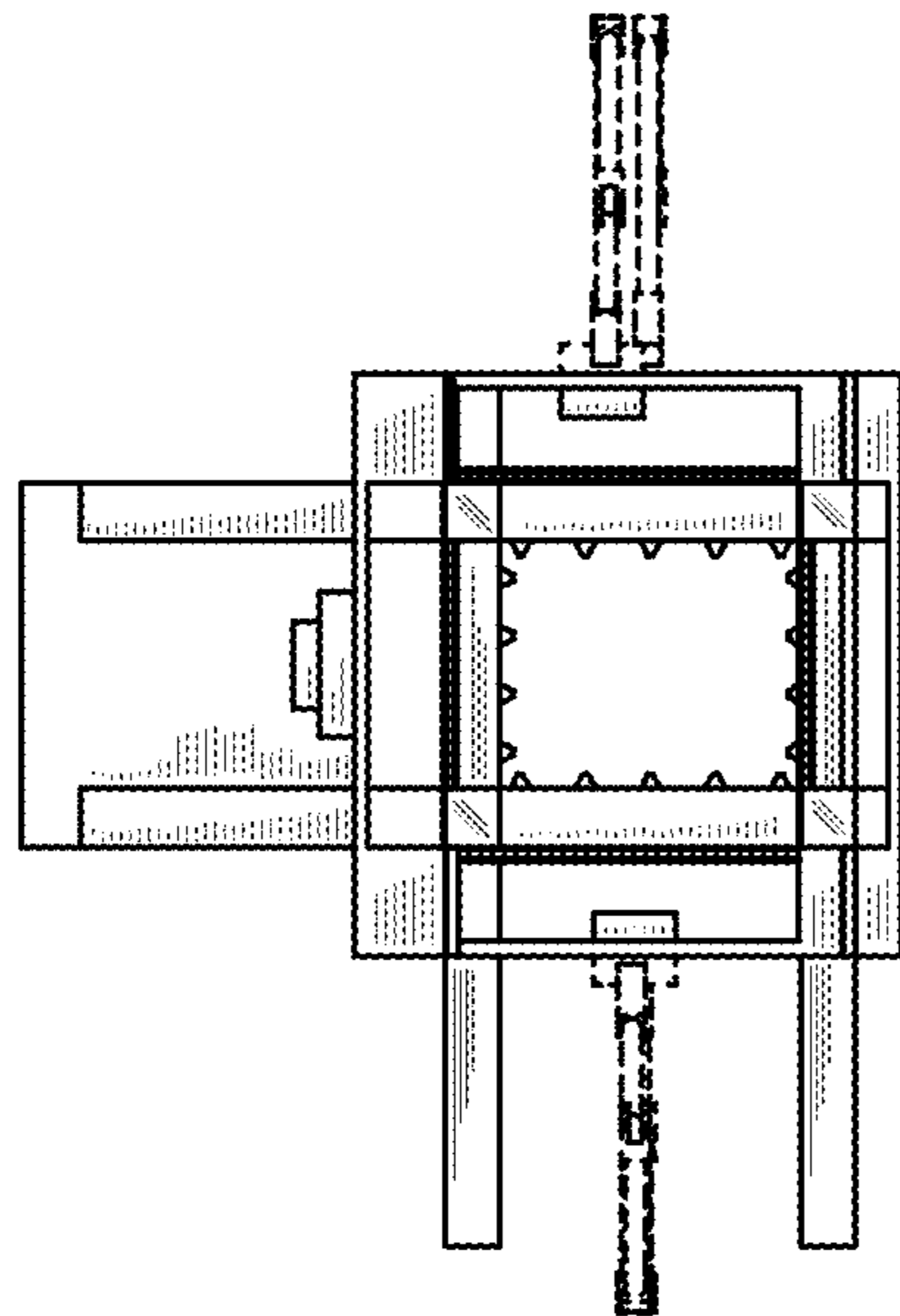


FIG. 4

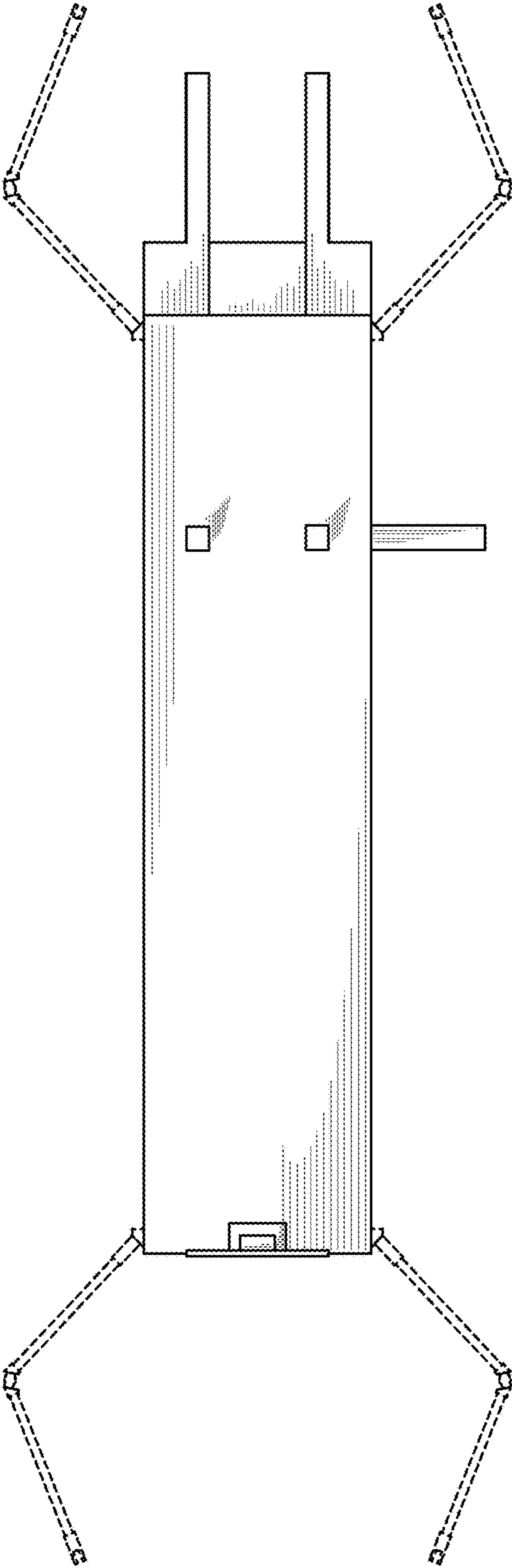


FIG. 5

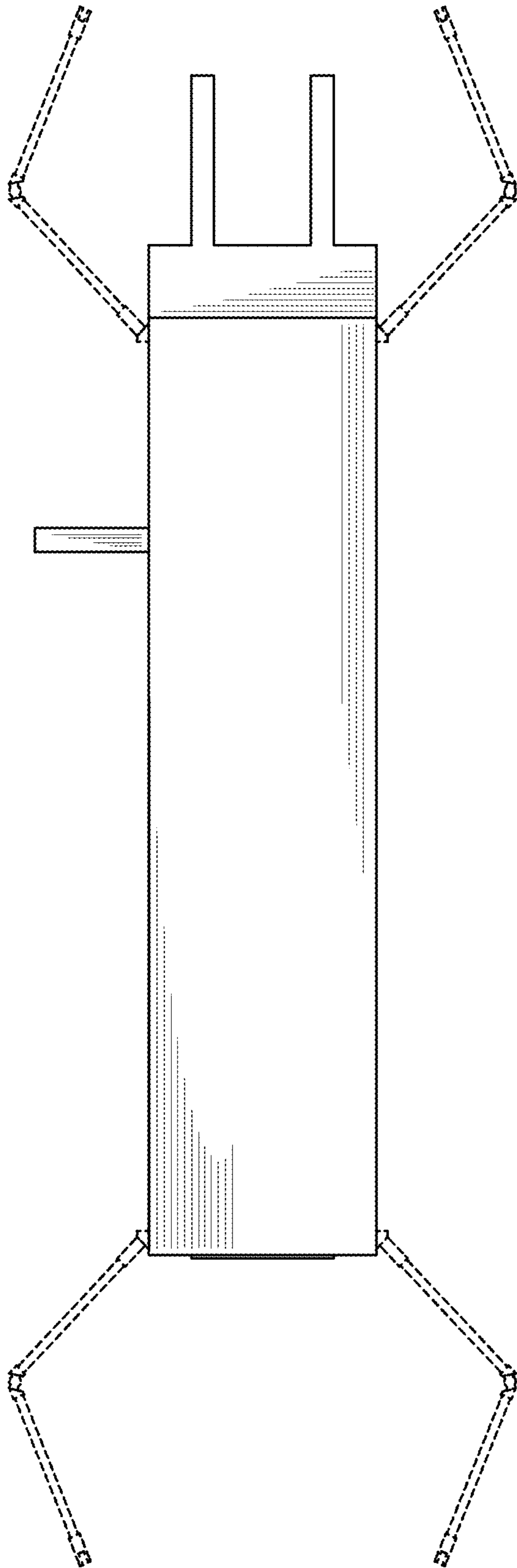


FIG. 6

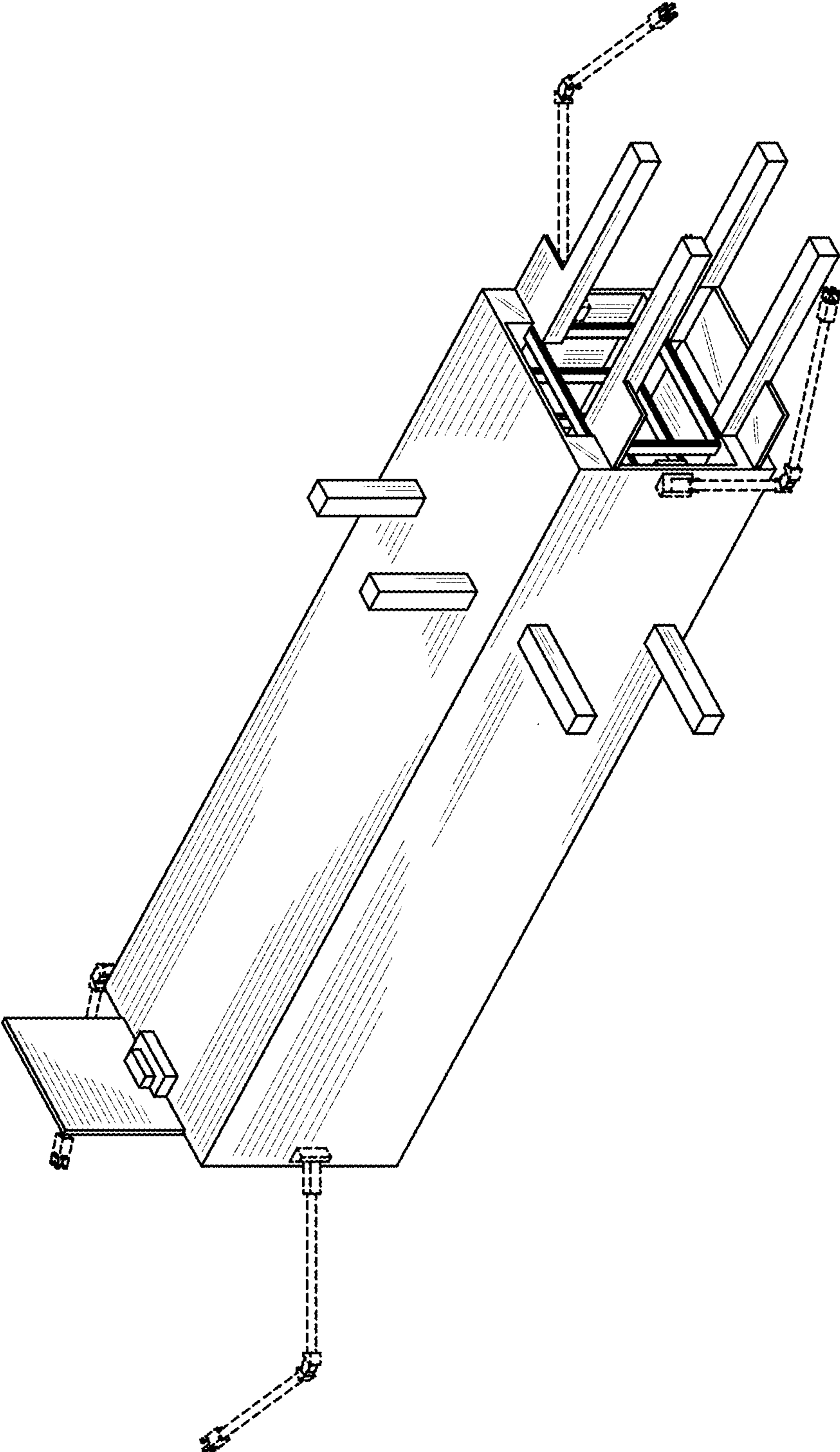


FIG. 7

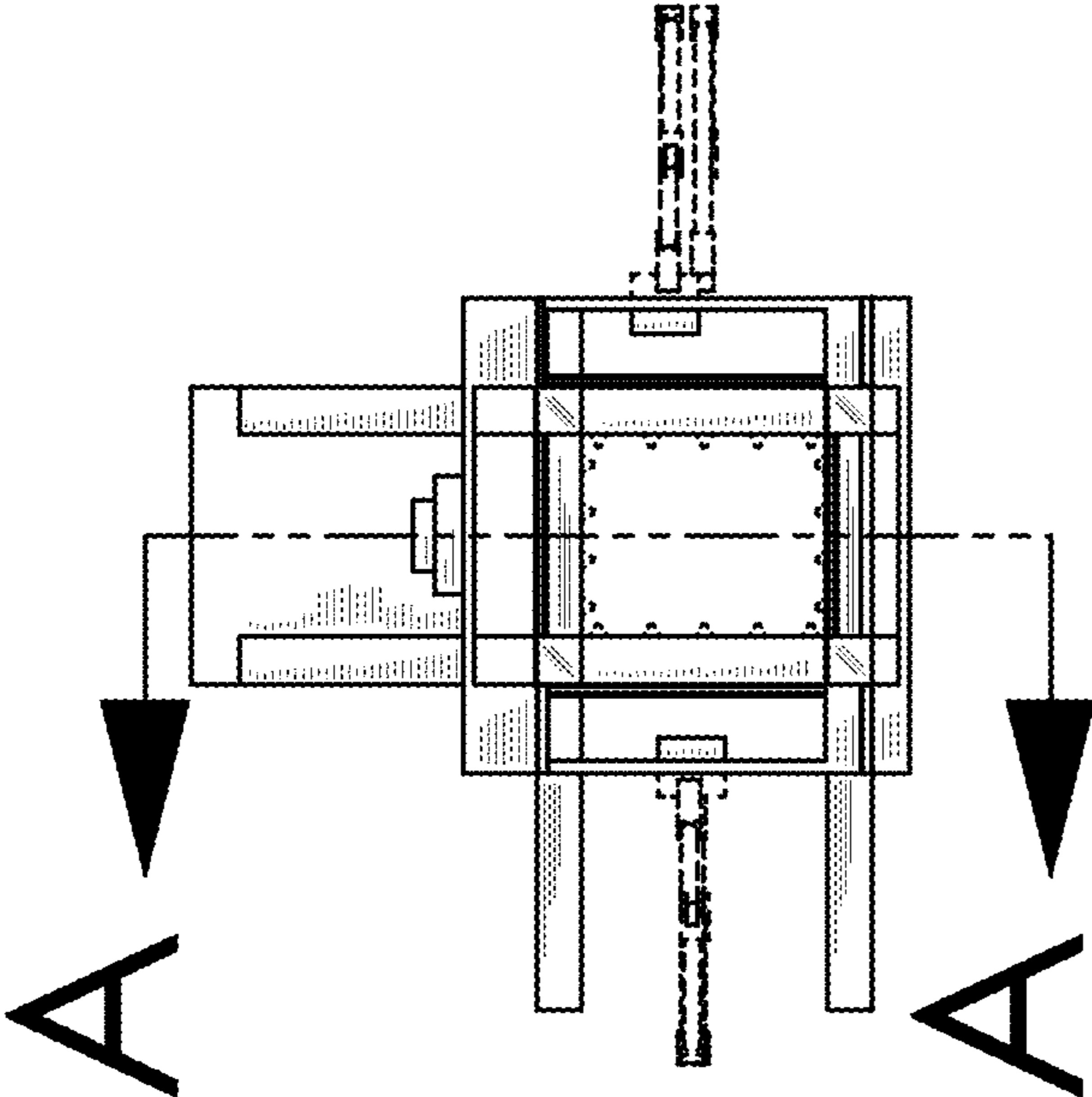


FIG. 8

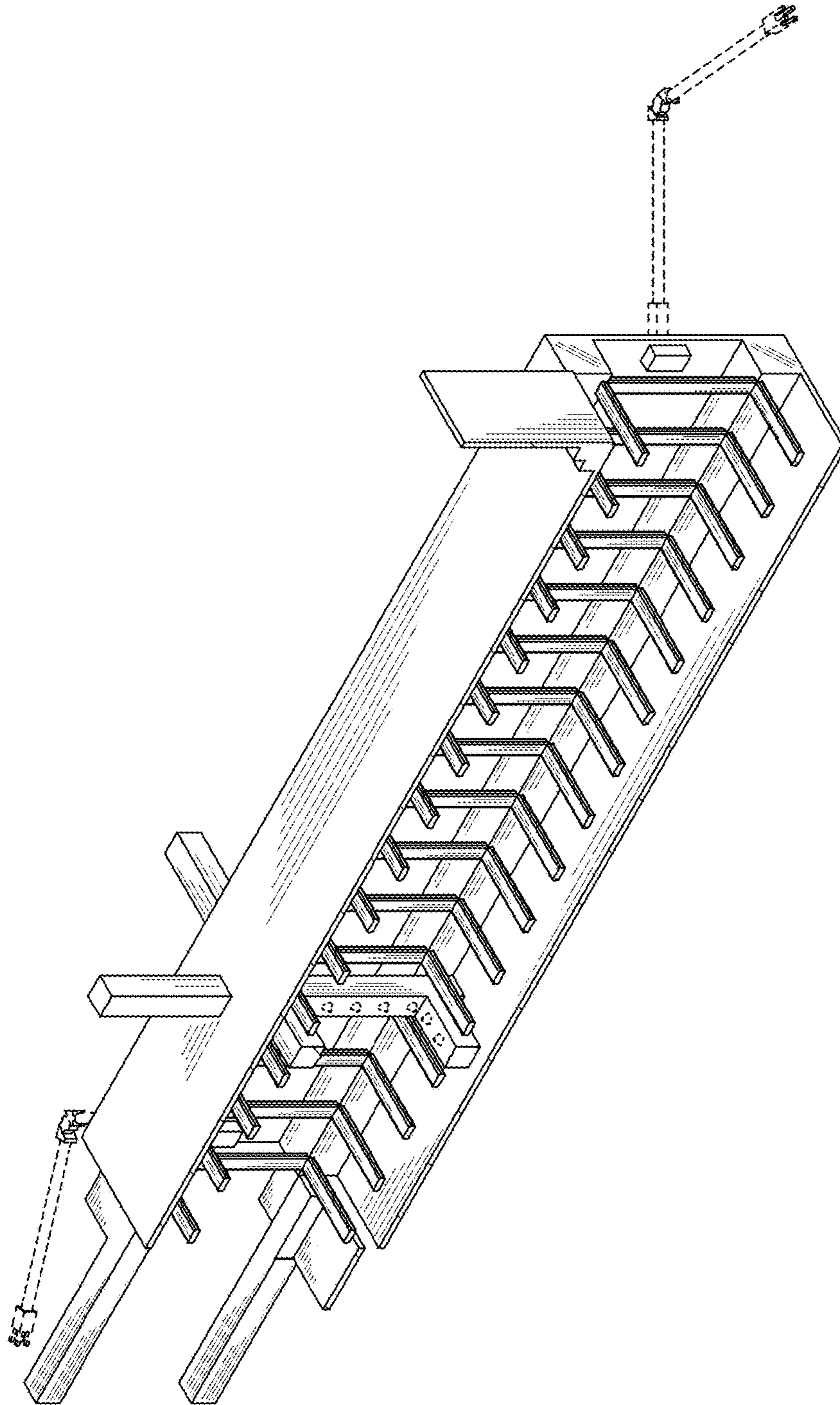


FIG. 9

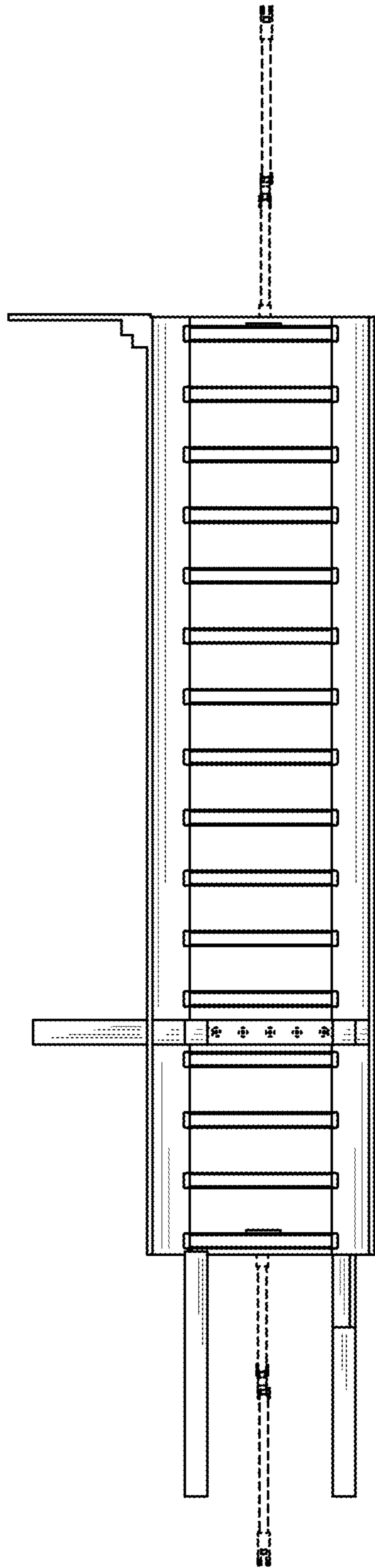


FIG. 10