



US00D788014S

(12) **United States Design Patent** (10) **Patent No.:** **US D788,014 S**  
**Cover** (45) **Date of Patent:** **\*\* May 30, 2017**

(54) **POWER CHARGER CAP**  
(71) Applicant: **Advanced Accessory Concepts LLC**,  
Corona, CA (US)  
(72) Inventor: **Scott Cover**, Fullerton, CA (US)  
(73) Assignee: **ADVANCED ACCESSORY**  
**CONCEPTS LLC**, Corona, CA (US)

D532,359 S \* 11/2006 Simpson ..... D12/218  
D537,977 S \* 3/2007 Chen ..... D23/205  
D563,229 S \* 3/2008 Dowel ..... D9/524  
7,490,864 B2 \* 2/2009 Cheng ..... F16L 37/0847  
137/614.05  
D737,192 S \* 8/2015 Yaffe ..... D12/218  
D739,805 S \* 9/2015 Isono ..... D12/218  
D751,023 S \* 3/2016 Hennen ..... D12/218  
9,423,077 B2 \* 8/2016 Adelman ..... F17C 13/084

(Continued)

(\*\*) Term: **15 Years**

(21) Appl. No.: **29/552,574**

(22) Filed: **Jan. 22, 2016**

(51) **LOC (10) Cl.** ..... **12-11**

(52) **U.S. Cl.**  
USPC ..... **D12/218**

(58) **Field of Classification Search**  
USPC ..... D12/110, 197, 218, 223; D9/435–454,  
D9/516, 523, 524, 525, 526, 528, 531,  
D9/534; D15/1, 3, 5, 17, 28; D23/205,  
D23/211, 211.1, 225; D27/148  
CPC ..... B60K 15/03; B60K 15/07; B62J 35/00;  
B62K 11/00; B62K 11/04  
See application file for complete search history.

(56) **References Cited**

**U.S. PATENT DOCUMENTS**

3,084,872 A \* 4/1963 Corning ..... B05B 11/3001  
222/529  
D213,235 S \* 1/1969 Jacoby ..... D10/106.1  
D262,956 S \* 2/1982 McNab ..... D12/218  
4,336,899 A \* 6/1982 Price, II ..... A45F 3/14  
224/609  
D281,832 S \* 12/1985 Trull ..... D3/316  
4,928,859 A \* 5/1990 Krahn ..... F16L 37/0841  
141/348  
D365,011 S \* 12/1995 Myers ..... D8/331  
D451,029 S \* 11/2001 Hoffmann ..... D9/524  
D512,300 S \* 12/2005 Perkins ..... D8/331  
D530,854 S \* 10/2006 Xu ..... D27/148

**OTHER PUBLICATIONS**

“ZEX Bottle Heaters—Which One Should You Choose.” Dragzine.,  
May 14, 2010 [online], [retrieved on Jan. 28, 2017]. Retrieved from  
the Internet <URL: <http://www.dragzine.com/tech-stories/power-adders/zex-bottle-heaters-which-one-should-you-choose/>>.\*

(Continued)

*Primary Examiner* — Darlington Ly  
(74) *Attorney, Agent, or Firm* — Klein, O’Neill & Singh,  
LLP

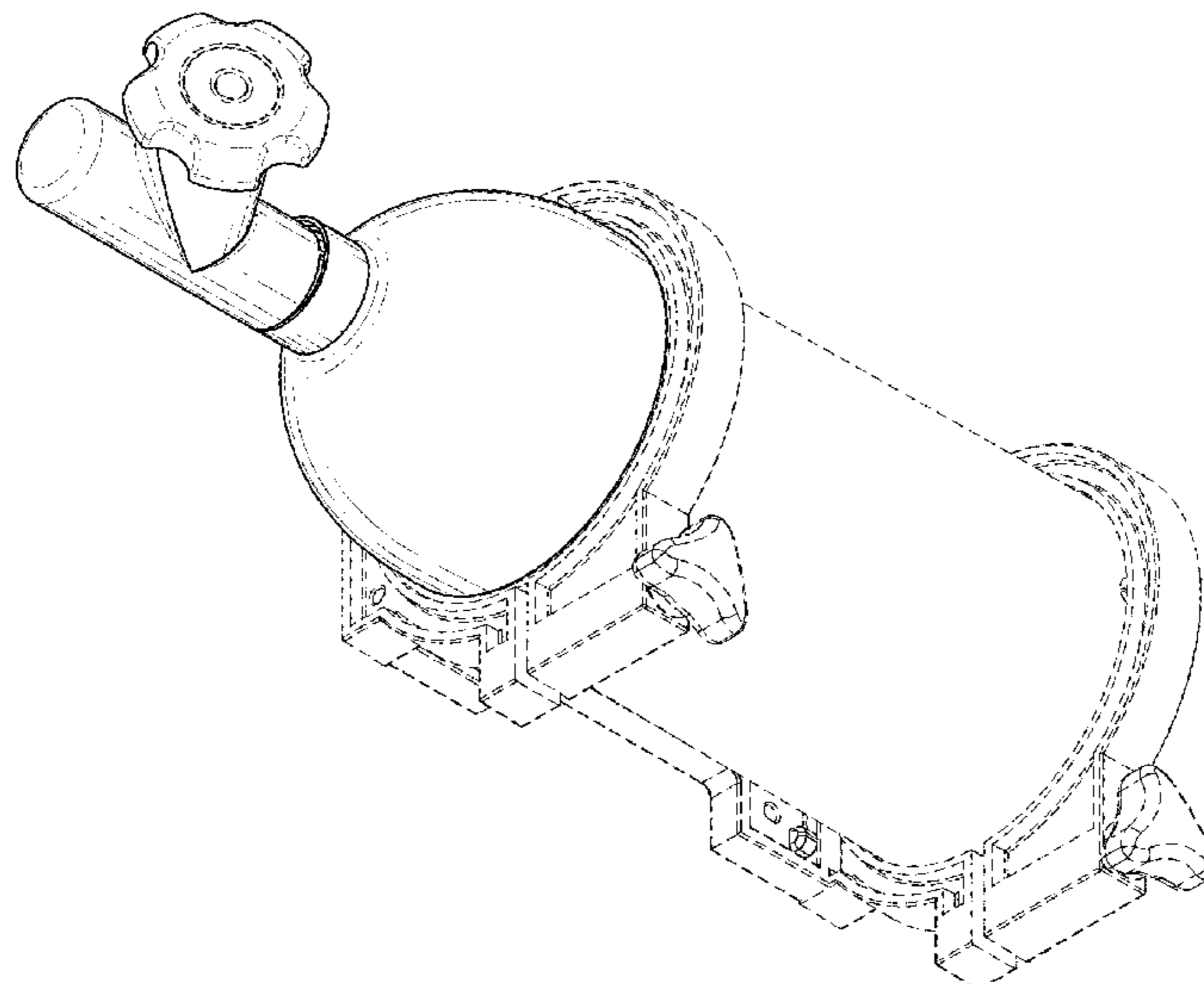
(57) **CLAIM**

The ornamental design for a power charger cap, as shown  
and described.

**DESCRIPTION**

FIG. 1 is a perspective view of a power charger cap, in  
accordance my new design;  
FIG. 2 is a right side elevation view thereof;  
FIG. 3 is a left side elevation view thereof;  
FIG. 4 is a front elevation view thereof;  
FIG. 5 is a rear elevation view thereof;  
FIG. 6 is a top plan view thereof; and,  
FIG. 7 is a bottom plan view thereof.  
The broken lines in the drawings illustrate portions of the  
power charger cap and environmental structure that do not  
form part of the claimed design.

**1 Claim, 4 Drawing Sheets**



(56)

**References Cited**

U.S. PATENT DOCUMENTS

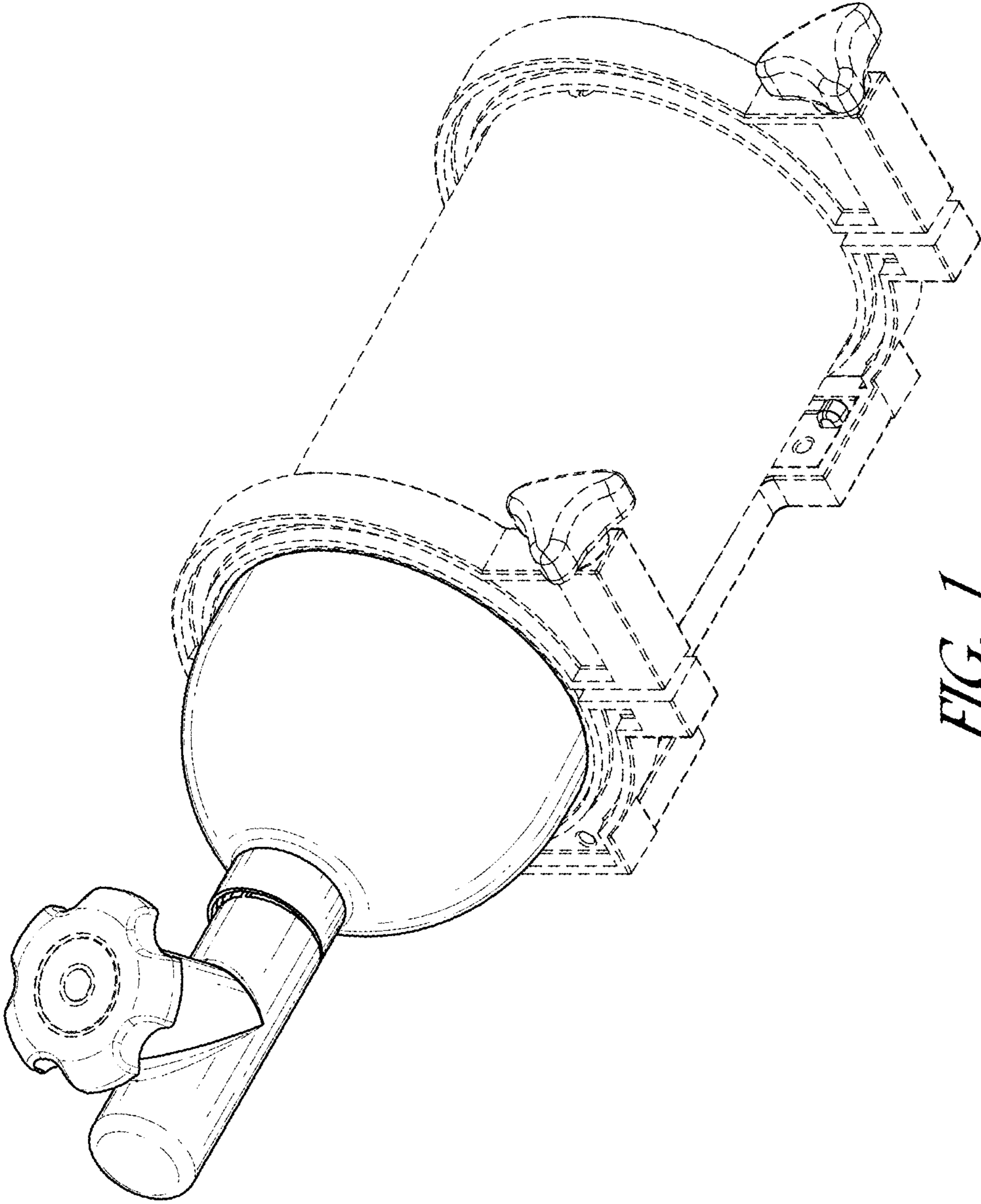
2004/0084485 A1\* 5/2004 Carlton ..... B67D 7/005  
222/527  
2009/0014454 A1\* 1/2009 Nelson ..... B65D 23/106  
220/758

OTHER PUBLICATIONS

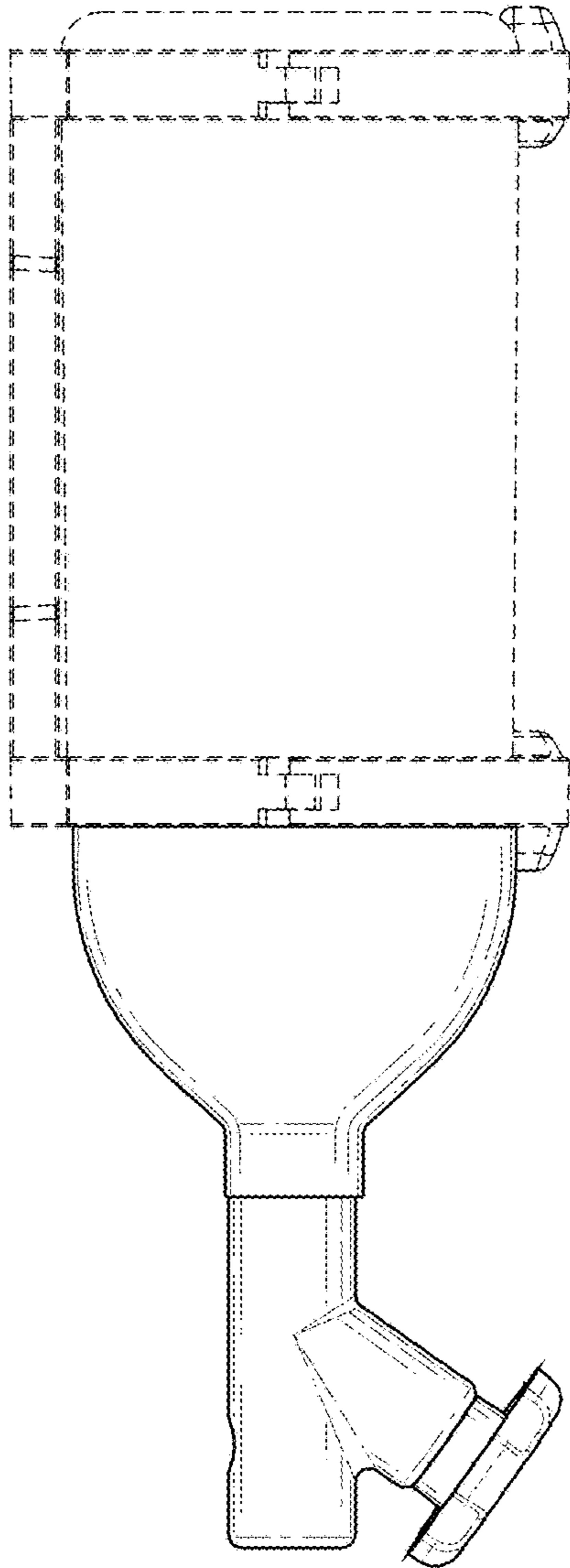
“Fake Nitrous Bottle NOS Review.” YouTube., Aug. 15, 2014  
[online], [retrieved on Jan. 28, 2017]. Retrieved from the Internet  
<URL: <https://www.youtube.com/watch?v=r6yVy4dPv4E>>.\*

“Nitrous bottle mounting Pictures . . . ???” LS1TECH., Feb. 2, 2010  
[online], [retrieved on Jan. 28, 2017]. Retrieved from the Internet  
<URL: <http://ls1tech.com/forums/It1-It4-modifications/1234553-nitrous-bottle-mounting-pictures.html#post12835799>>.\*

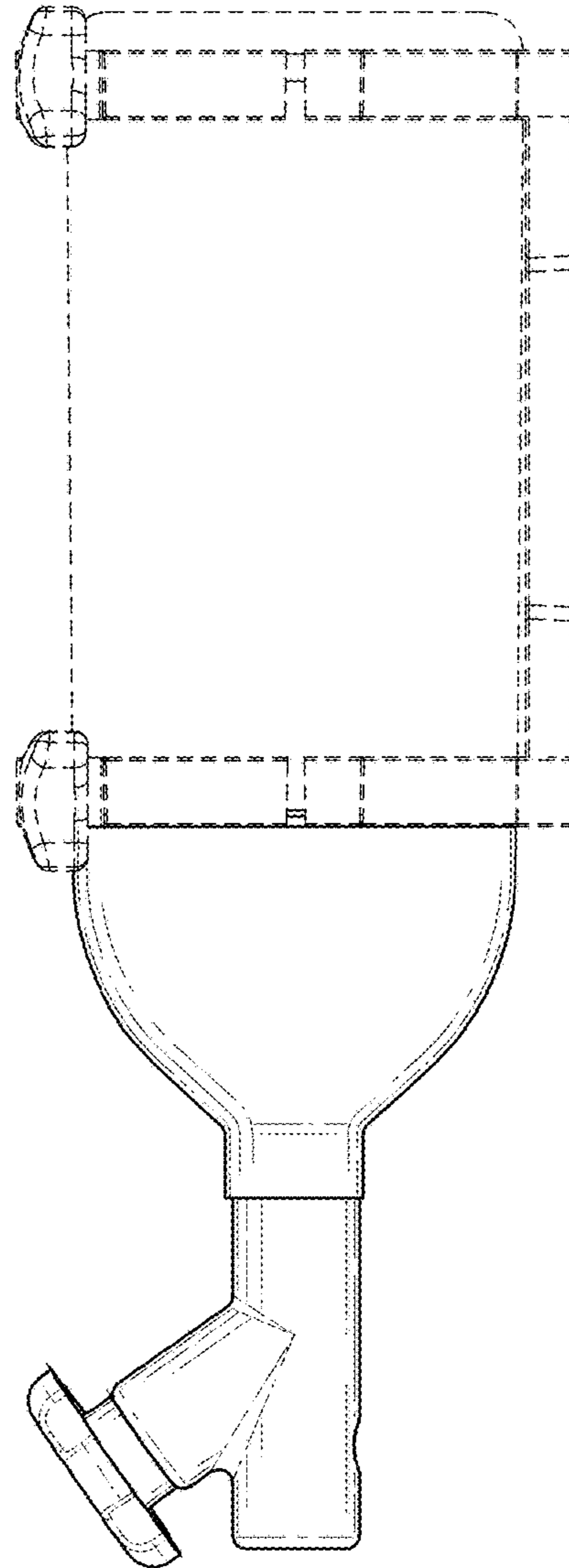
\* cited by examiner



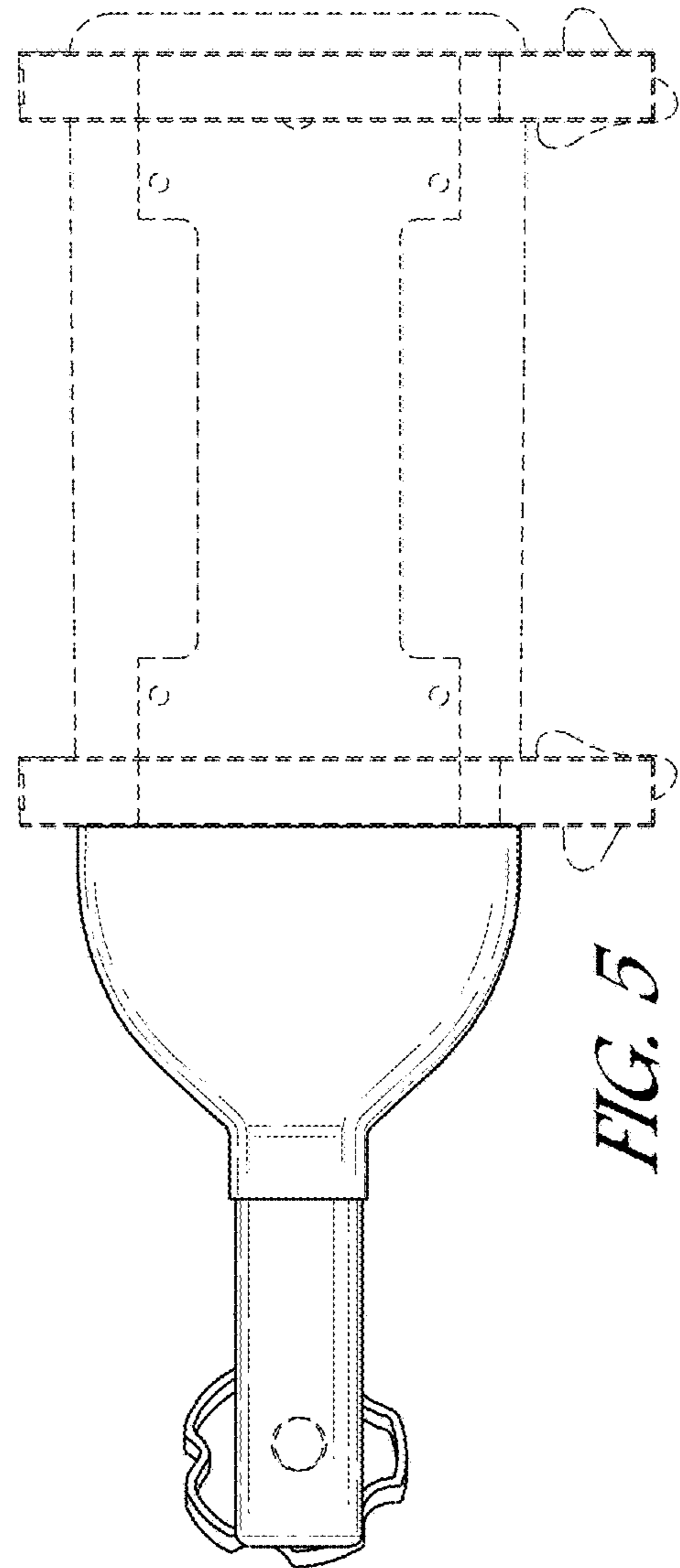
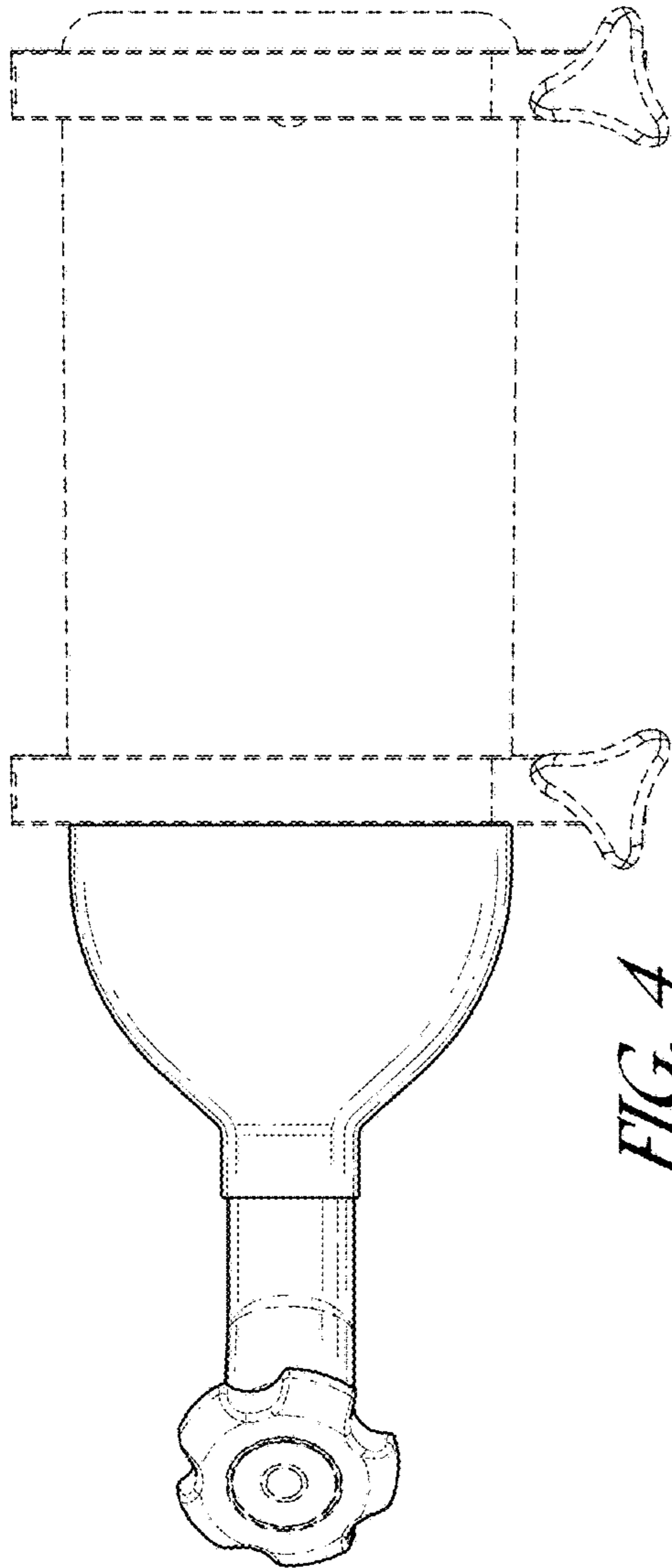
*FIG. 1*

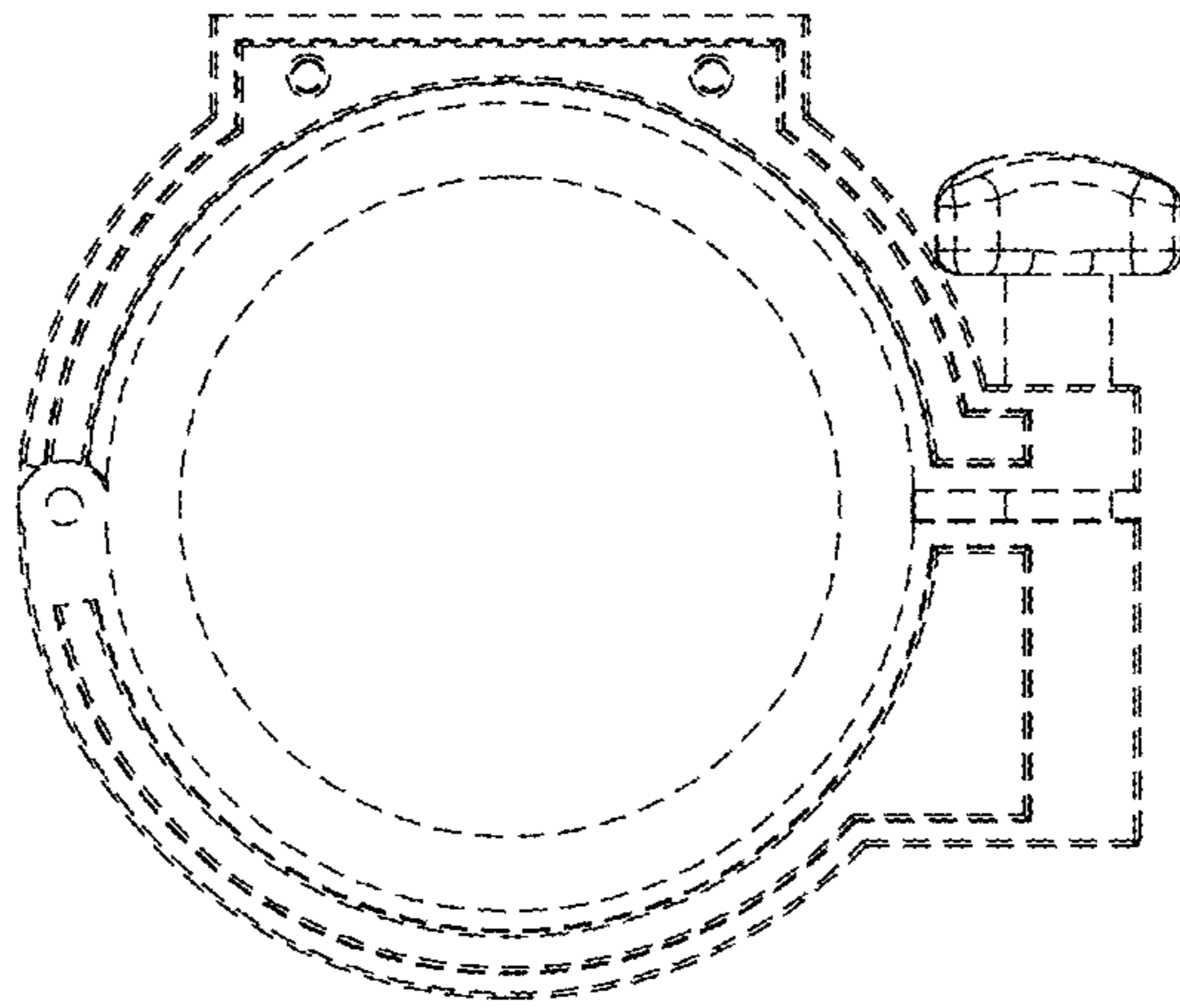


*FIG. 2*

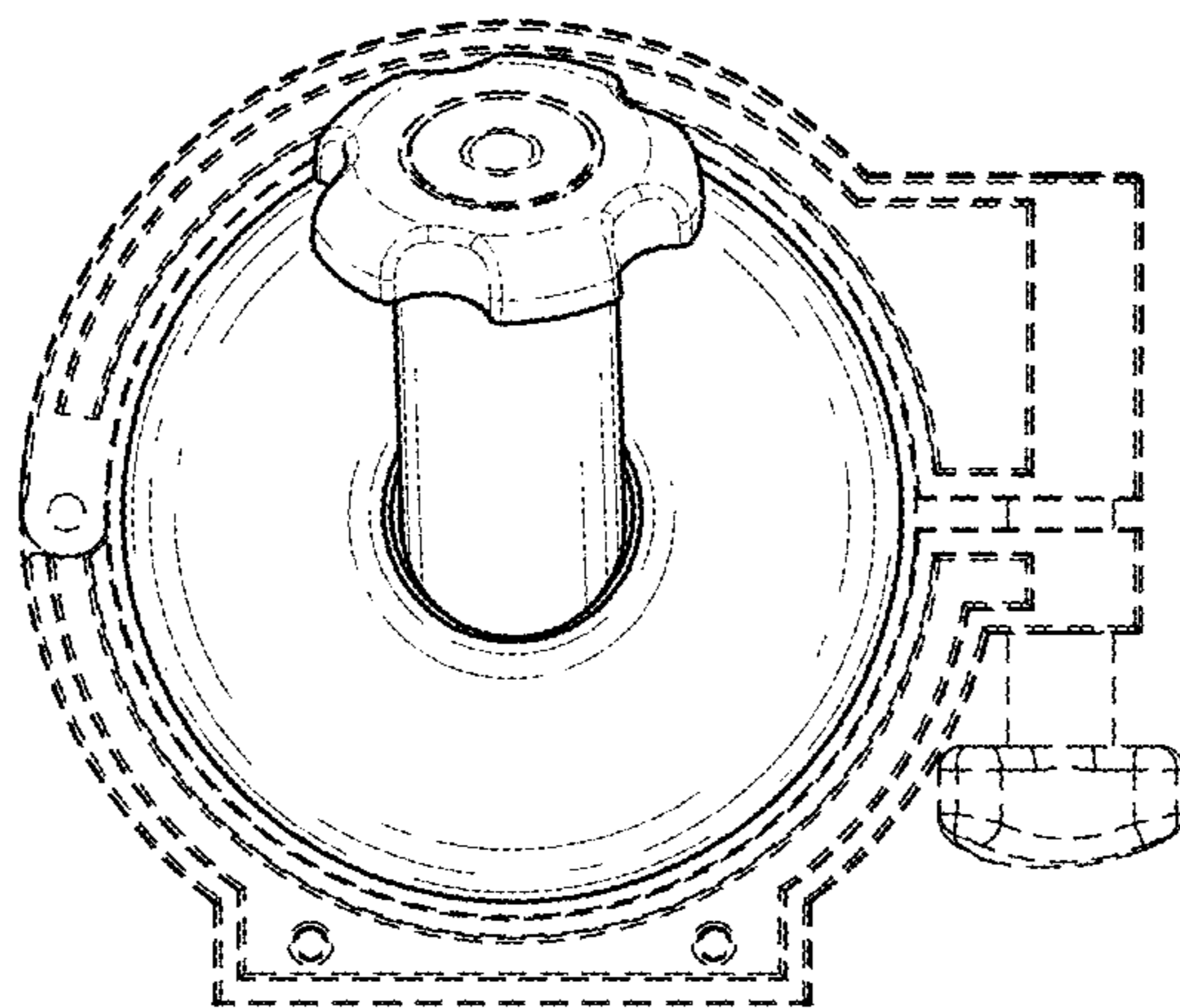


*FIG. 3*





*FIG. 7*



*FIG. 6*