



US00D788013S

(12) **United States Design Patent**
Cover

(10) **Patent No.:** **US D788,013 S**

(45) **Date of Patent:** **** May 30, 2017**

- (54) **POWER CHARGER BODY**
- (71) Applicant: **Advanced Accessory Concepts LLC**,
Corona, CA (US)
- (72) Inventor: **Scott Cover**, Fullerton, CA (US)
- (73) Assignee: **ADVANCED ACCESSORY**
CONCEPTS LLC, Corona, CA (US)

- D532,359 S * 11/2006 Simpson D12/218
- D537,977 S * 3/2007 Chen D23/205
- D563,229 S * 3/2008 Dowel D9/524
- 7,490,864 B2 * 2/2009 Cheng F16L 37/0847
137/614.05
- D737,192 S * 8/2015 Yaffe D12/218
- D739,805 S * 9/2015 Isono D12/218
- D751,023 S * 3/2016 Hennen D12/218
- 9,423,077 B2 * 8/2016 Adelman F17C 13/084

(Continued)

(**) Term: **15 Years**

(21) Appl. No.: **29/552,573**

(22) Filed: **Jan. 22, 2016**

(51) **LOC (10) Cl.** **12-11**

(52) **U.S. Cl.**
USPC **D12/218**

(58) **Field of Classification Search**
USPC D12/110, 197, 218, 223; D9/435–454,
D9/516, 523, 524, 525, 526, 528, 531,
D9/534; D15/1, 3, 5, 17, 28; D23/205,
D23/211, 211.1, 225; D27/148
CPC B60K 15/03; B60K 15/07; B62J 35/00;
B62K 11/00; B62K 11/04
See application file for complete search history.

(56) **References Cited**

U.S. PATENT DOCUMENTS

- 3,084,872 A * 4/1963 Corning B05B 11/3001
222/529
- D213,235 S * 1/1969 Jacoby D10/106.1
- D262,956 S * 2/1982 McNab D12/218
- 4,336,899 A * 6/1982 Price, II A45F 3/14
224/609
- D281,832 S * 12/1985 Trull D3/316
- 4,928,859 A * 5/1990 Krahn F16L 37/0841
141/348
- D365,011 S * 12/1995 Myers D8/331
- D451,029 S * 11/2001 Hoffmann D9/524
- D512,300 S * 12/2005 Perkins D8/331
- D530,854 S * 10/2006 Xu D27/148

OTHER PUBLICATIONS

“ZEX Bottle Heaters—Which One Should You Choose.” *Dragzine.*,
May 14, 2010 [online], [retrieved on Jan. 28, 2017]. Retrieved from
the Internet <URL: <http://www.dragzine.com/tech-stories/power-adders/zex-bottle-heaters-which-one-should-you-choose/>>.*

(Continued)

Primary Examiner — Darlington Ly
(74) *Attorney, Agent, or Firm* — Klein, O’Neill & Singh,
LLP

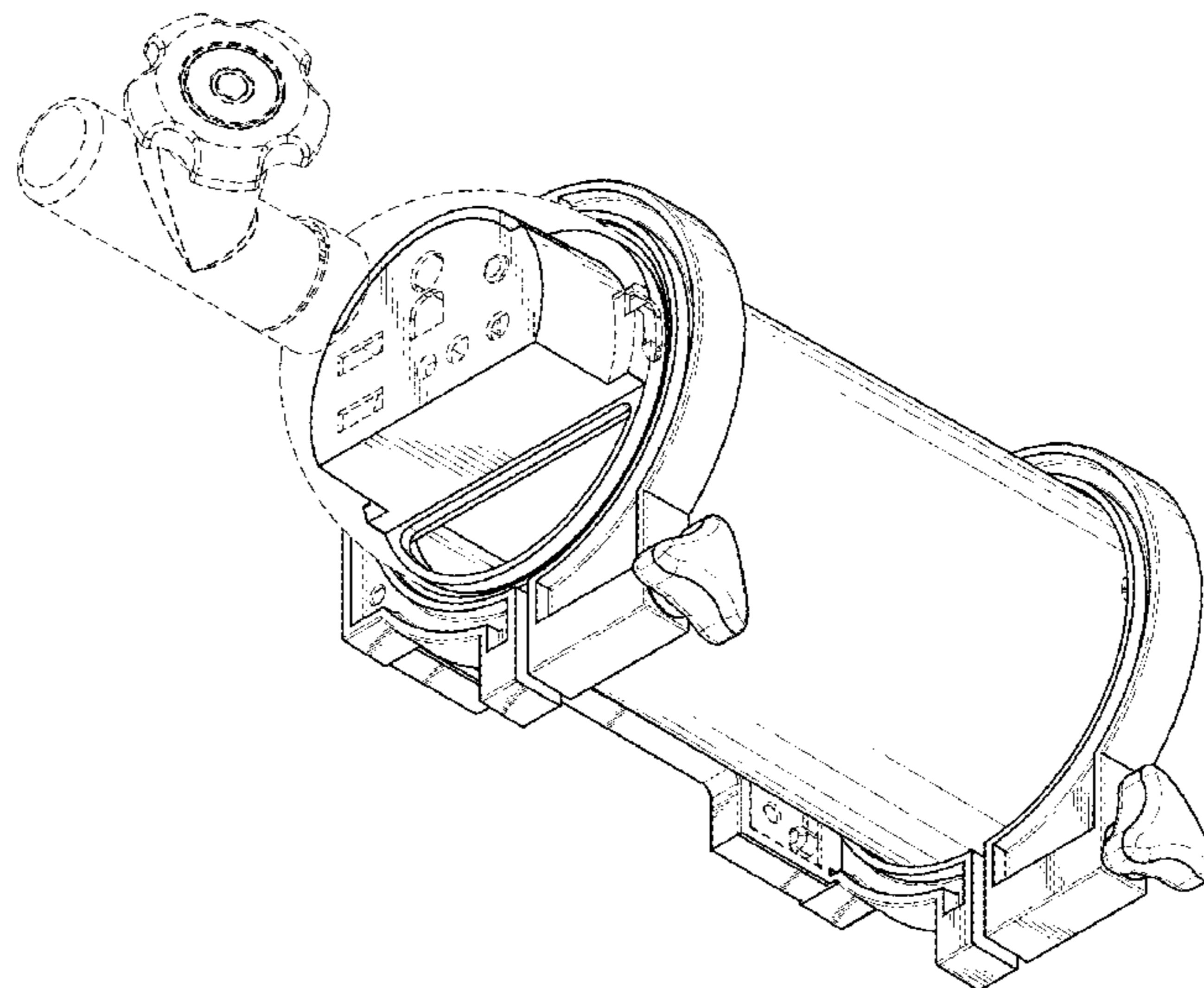
(57) **CLAIM**

The ornamental design for a power charger body, as shown
and described.

DESCRIPTION

FIG. 1 is a perspective view of a power charger body, in
accordance my new design;
FIG. 2 is a right side elevation view thereof;
FIG. 3 is a left side elevation view thereof;
FIG. 4 is a front elevation view thereof;
FIG. 5 is a rear elevation view thereof;
FIG. 6 is a top plan view thereof; and,
FIG. 7 is a bottom plan view thereof.
The broken lines in the drawings illustrate portions of the
power charger body and its environmental cap that do not
form part of the claimed design.

1 Claim, 4 Drawing Sheets



(56)

References Cited

U.S. PATENT DOCUMENTS

2004/0084485 A1* 5/2004 Carlton B67D 7/005
222/527
2009/0014454 A1* 1/2009 Nelson B65D 23/106
220/758

OTHER PUBLICATIONS

“Fake Nitrous Bottle NOS Review.” YouTube., Aug. 15, 2014
[online], [retrieved on Jan. 28, 2017]. Retrieved from the Internet
<URL: <https://www.youtube.com/watch?v=r6yVy4dPv4E>>.*

“Nitrous bottle mounting Pictures . . . ???” LS1TECH., Feb. 2, 2010
[online], [retrieved on Jan. 28, 2017]. Retrieved from the Internet
<URL: <http://ls1tech.com/forums/It1-It4-modifications/1234553-nitrous-bottle-mounting-pictures.html#post12835799>>.*

* cited by examiner

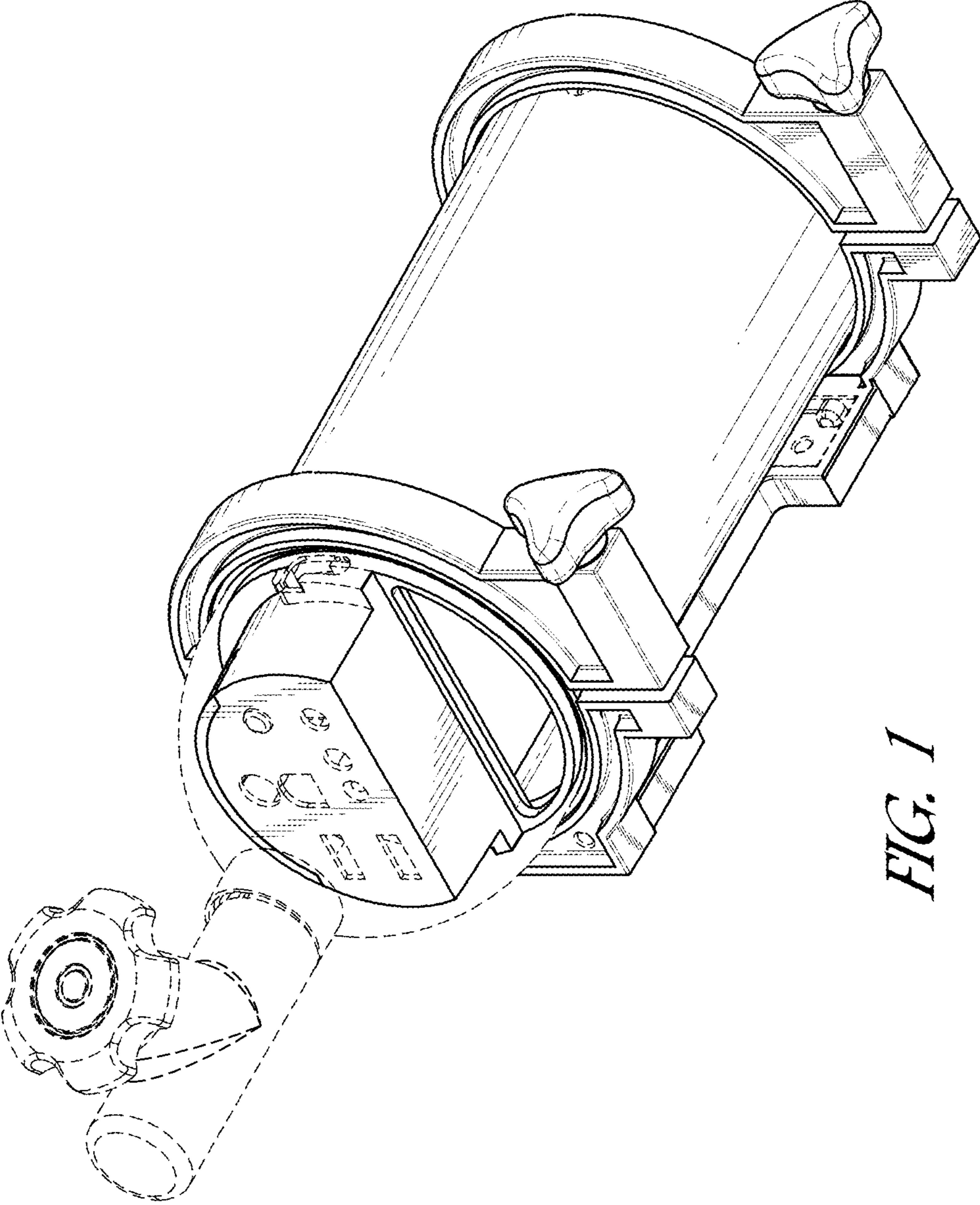


FIG. 1

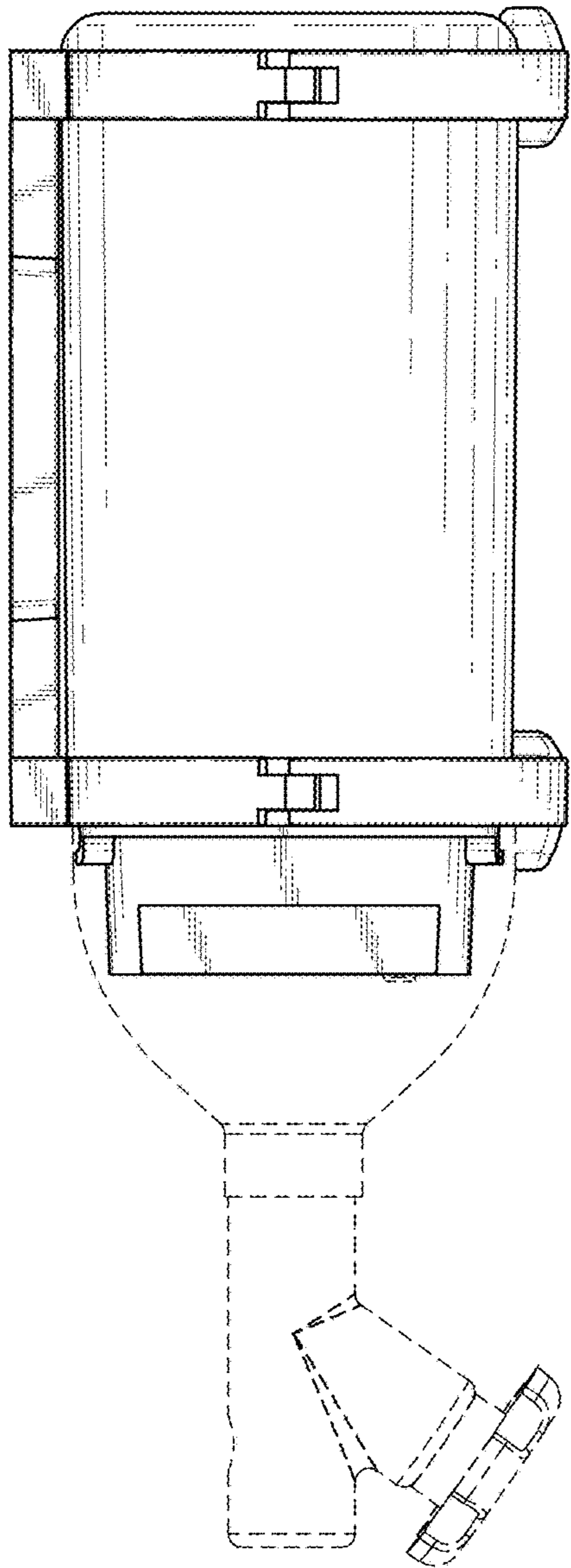


FIG. 2

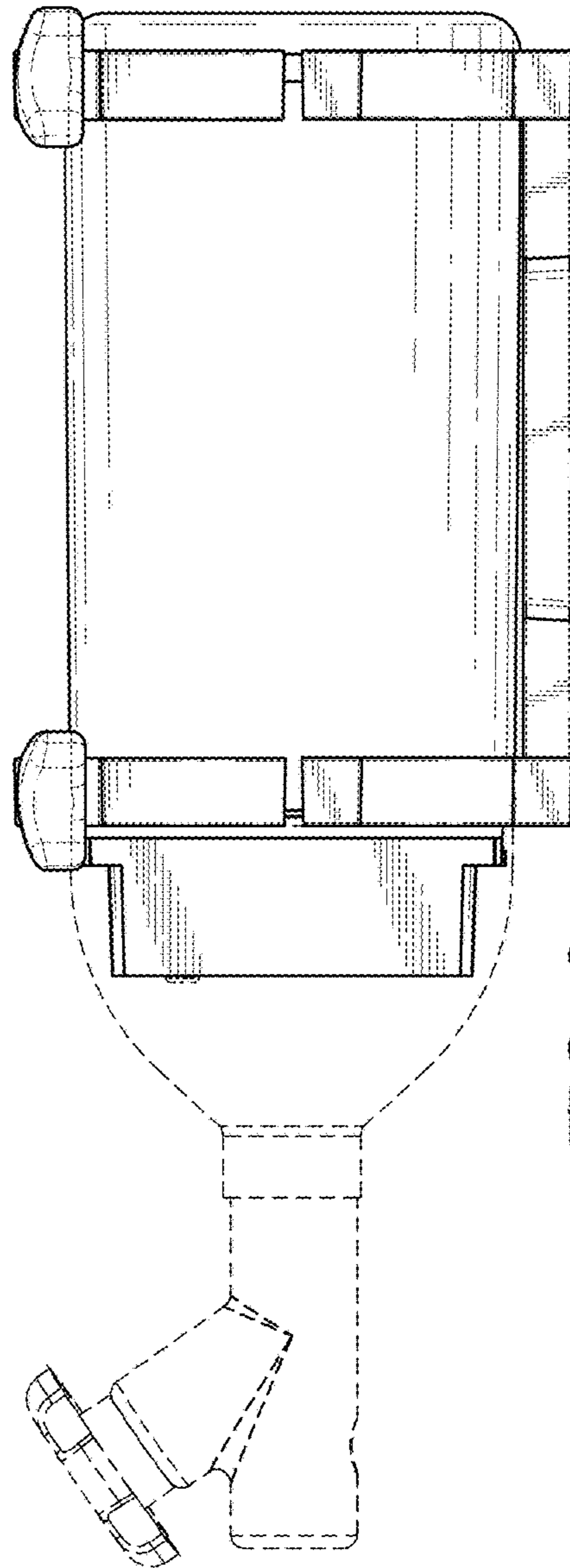


FIG. 3

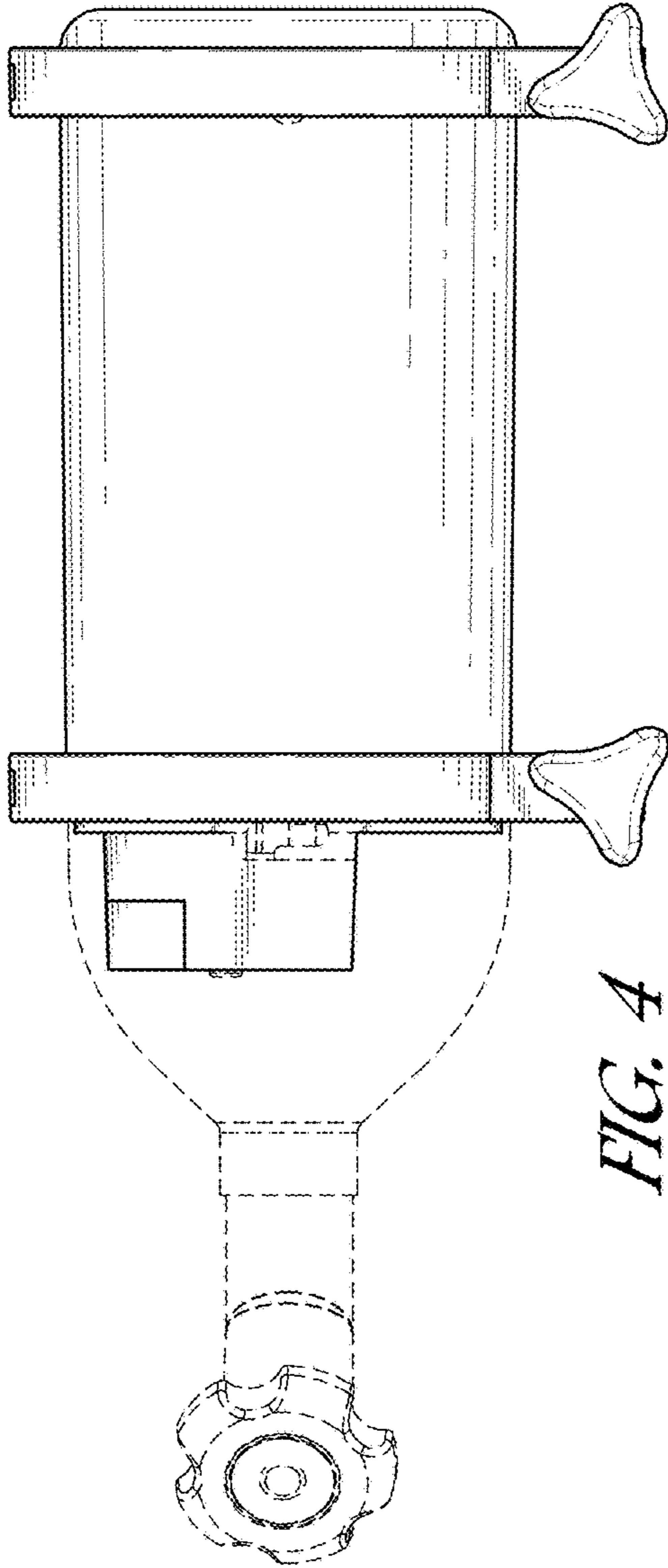


FIG. 4

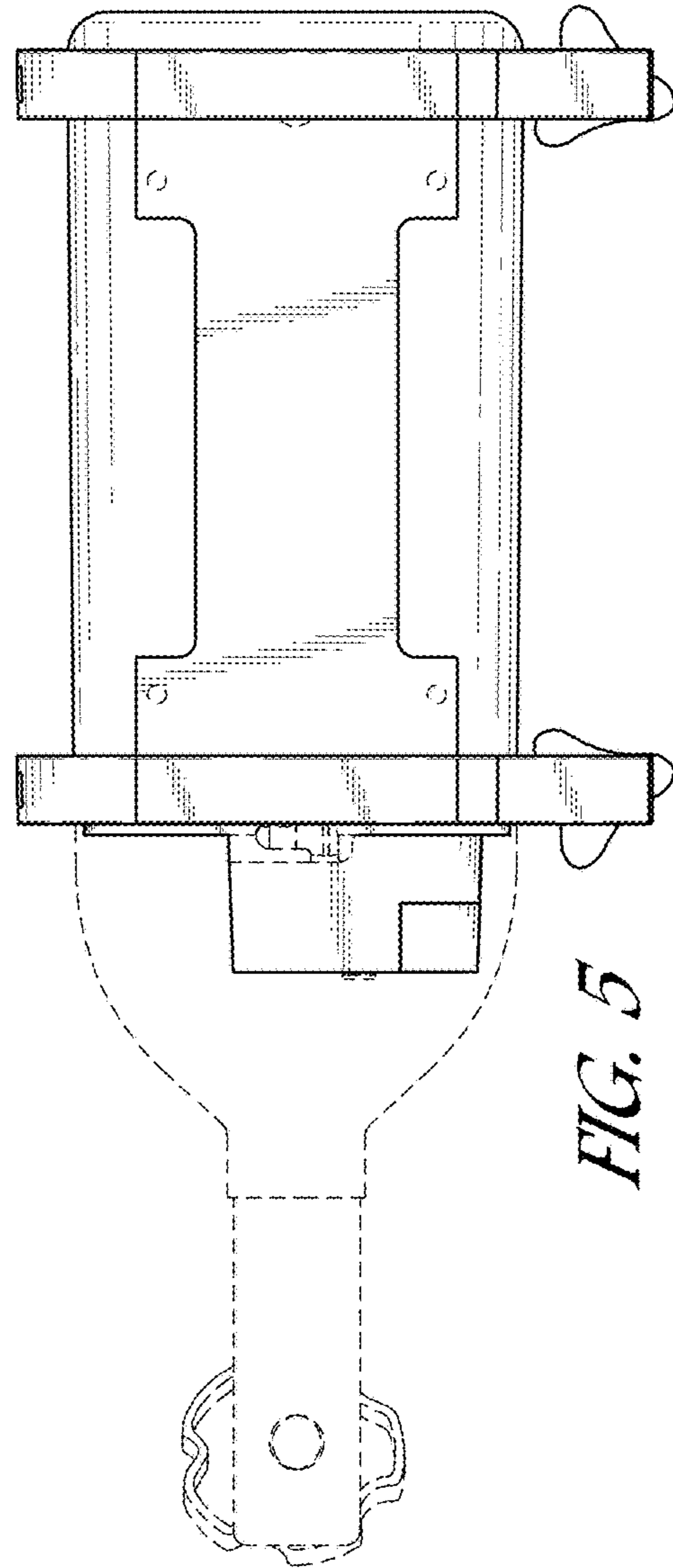


FIG. 5

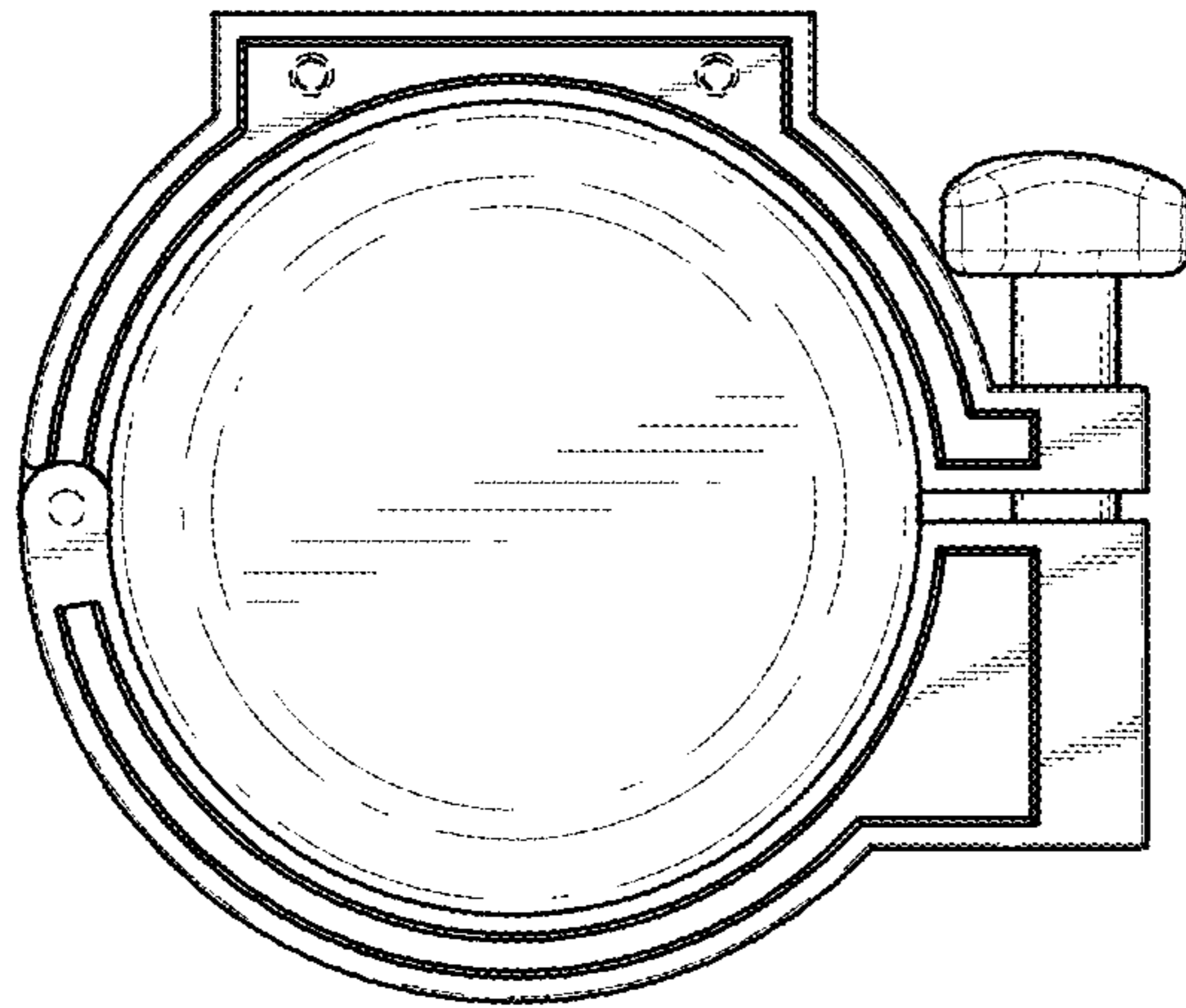


FIG. 7

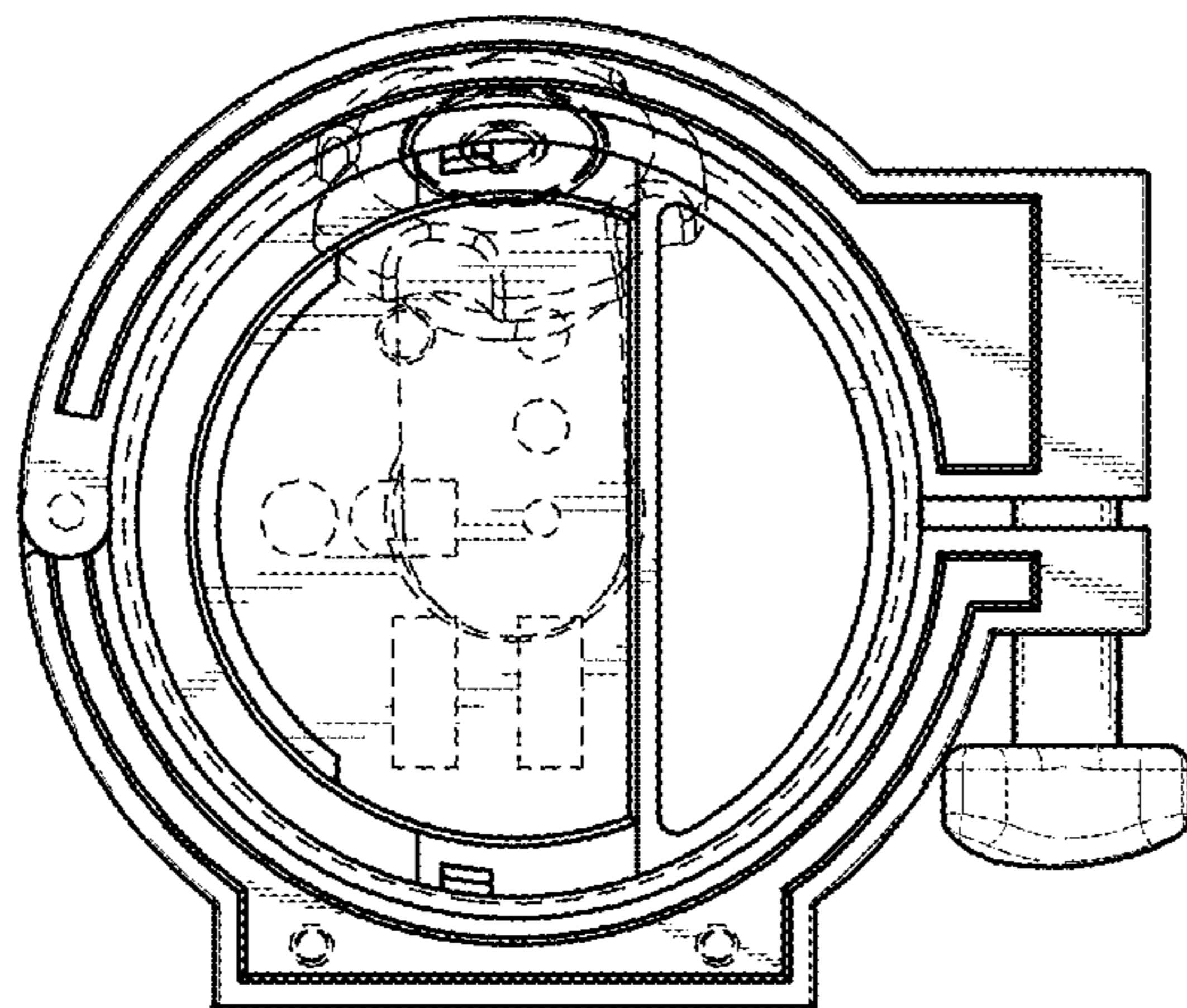


FIG. 6