



US00D788012S

(12) **United States Design Patent** (10) **Patent No.:** **US D788,012 S**
Hughes (45) **Date of Patent:** **** May 30, 2017**

(54) **WHEEL RIM EXTENSION**

(71) Applicant: **Richard D Hughes**, Aurora, CO (US)

(72) Inventor: **Richard D Hughes**, Aurora, CO (US)

(**) Term: **15 Years**

(21) Appl. No.: **29/543,877**

(22) Filed: **Oct. 29, 2015**

(51) **LOC (10) Cl.** **12-16**

(52) **U.S. Cl.**
USPC **D12/212**

(58) **Field of Classification Search**

USPC D12/204, 205, 206, 207, 208, 209, 210,
D12/211, 212, 213

CPC B60B 7/00; B60B 7/01; B60B 7/02; B60B
7/04; B60B 7/06; B60B 3/02; B60B 3/04;
B60B 3/06; B60B 3/10; B60B 1/00;
B60B 1/08; B60B 1/10; B60B 1/12

See application file for complete search history.

(56) **References Cited**

U.S. PATENT DOCUMENTS

D57,264 S *	3/1921	Putnam	D12/212
D140,200 S *	1/1945	Aske, Jr.	D12/212
D140,201 S *	1/1945	Aske, Jr.	D12/212
D140,202 S *	1/1945	Aske, Jr.	301/37.105
D141,286 S *	5/1945	Lyon	D12/212
D149,575 S *	5/1948	Lyon	D12/212
D162,198 S *	2/1951	Lyon	D12/212
D164,039 S *	7/1951	Lyon	D12/212
D177,452 S *	4/1956	Wood	D12/212
D185,010 S *	4/1959	Lyon	D12/212
D187,263 S *	2/1960	Aske, Jr.	301/37.23
D189,663 S *	1/1961	Lauve	301/37.23
D251,263 S *	3/1979	Willis	D12/212
D259,346 S *	5/1981	DeHaven	D12/212

(Continued)

OTHER PUBLICATIONS

<https://www.amazon.com/Polished-Stainless-Steel-Beauty-Rings/dp/B00JS9WRZU/>—Available as early as Apr. 18, 2014.*

(Continued)

Primary Examiner — Manpreet Matharu

Assistant Examiner — Mojtaba Tehrani

(74) *Attorney, Agent, or Firm* — Patent Law Office of Rick Martin, P.C.

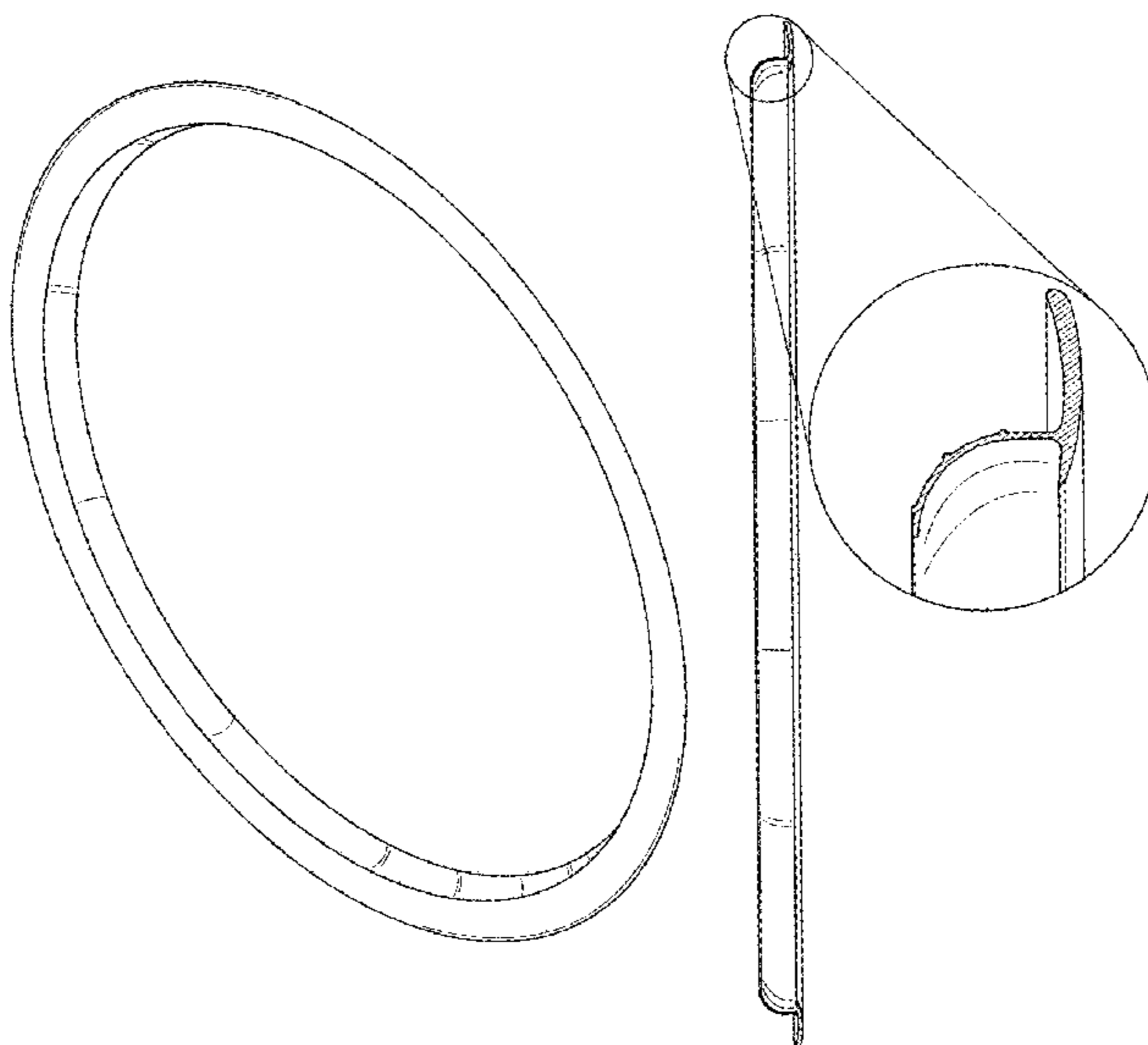
(57) **CLAIM**

The ornamental design for a wheel rim extension, as shown and described.

DESCRIPTION

FIG. 1 is a top perspective view of the first embodiment of a wheel rim extension showing my new design;
 FIG. 2 is a top plan view thereof;
 FIG. 3 is a bottom plan view thereof;
 FIG. 4 is a left side elevation view thereof;
 FIG. 5 is a cross sectional view thereof;
 FIG. 6 is a bottom perspective view thereof;
 FIG. 7 is a top perspective view of the second embodiment of a wheel rim extension;
 FIG. 8 is a top plan view thereof;
 FIG. 9 is a bottom plan view thereof;
 FIG. 10 is a left side elevation view thereof;
 FIG. 11 is a cross sectional view thereof;
 FIG. 12 is a bottom perspective view thereof;
 FIG. 13 is a top perspective view of the third embodiment of a wheel rim extension;
 FIG. 14 is a top plan view thereof;
 FIG. 15 is a bottom plan view thereof;
 FIG. 16 is a left side elevation view thereof;
 FIG. 17 is a cross sectional view thereof; and,
 FIG. 18 is a bottom perspective view thereof.
 The evenly broken line in the figure drawings represents unclaimed environment only and forms no part of the claimed design.

1 Claim, 15 Drawing Sheets



(56)

References Cited

U.S. PATENT DOCUMENTS

5,511,857 A * 4/1996 Ichikawa B60B 7/01
301/37.105
D439,557 S 3/2001 Phillips et al.
6,402,255 B1 * 6/2002 Chen B60B 1/003
301/95.101
D605,206 S * 12/2009 Yabe D15/28
D620,031 S * 7/2010 Yabe D15/28
D747,257 S * 1/2016 Bowden D12/213

OTHER PUBLICATIONS

<http://www.jegs.com/i/Wheel+Vintiques/939/3006-15/10002/-1?CAWELAID=1710735517&CAGPSPN=pla&CAAGID=15769068431&CATCI=pla-190774229111&gclid=CP6Q5Lb5uNECFYtMDQodWJYJjA>—Retrieved Jan. 11, 2017.*
<http://www.autoamenity.com/KartList/TR-15D.htm>—Retrieved Jan. 11, 2017.*

* cited by examiner

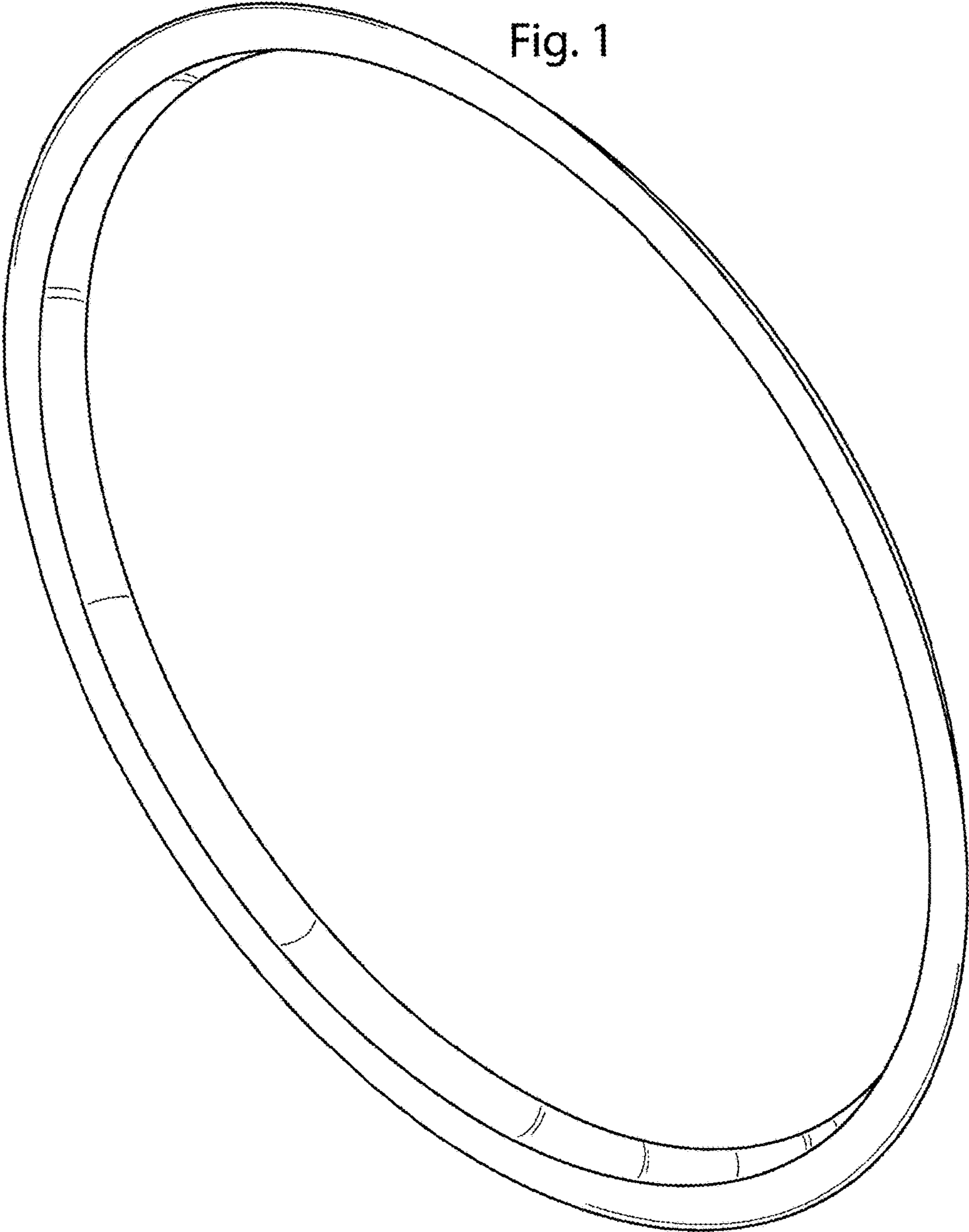


Fig. 1

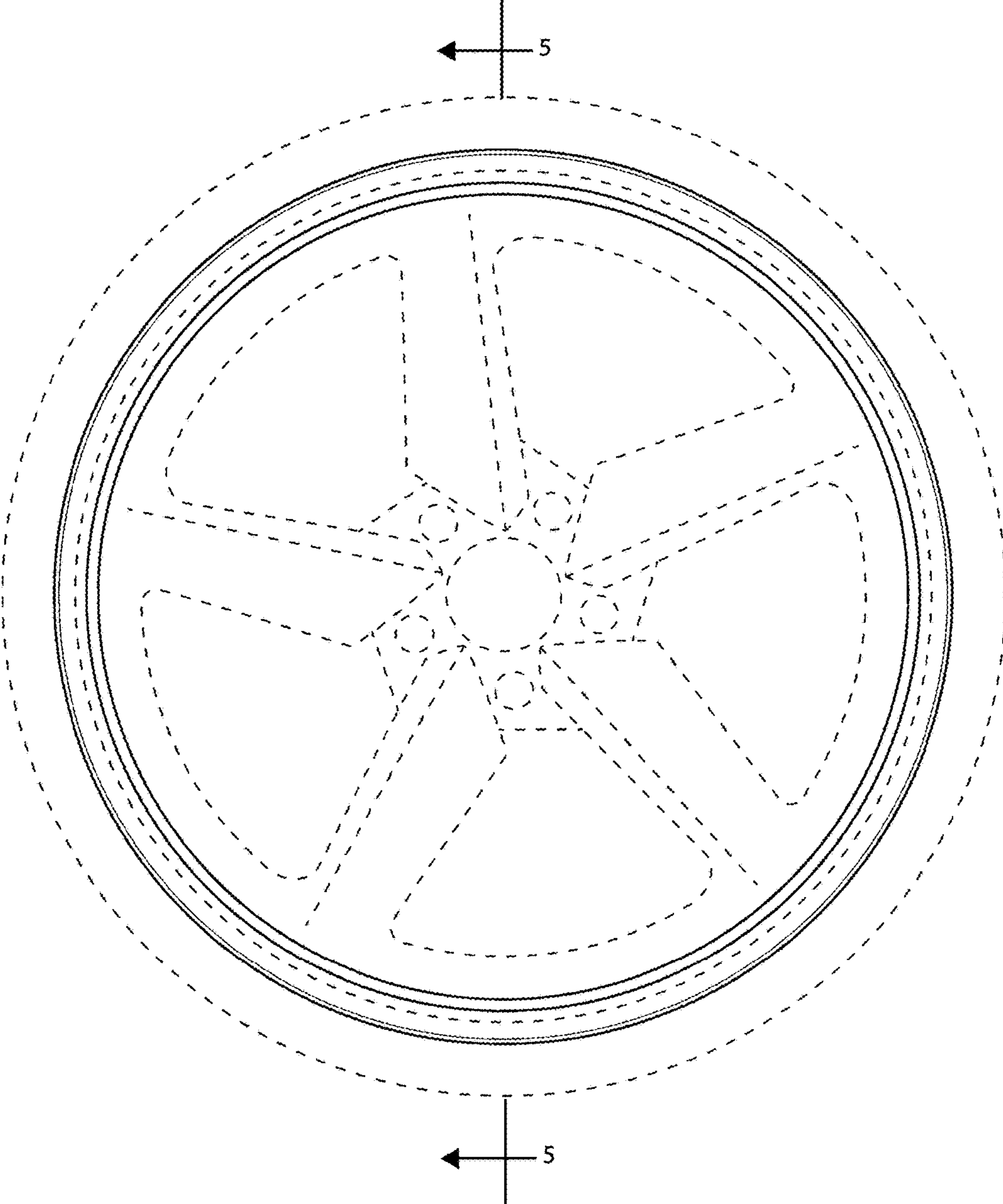


Fig. 2

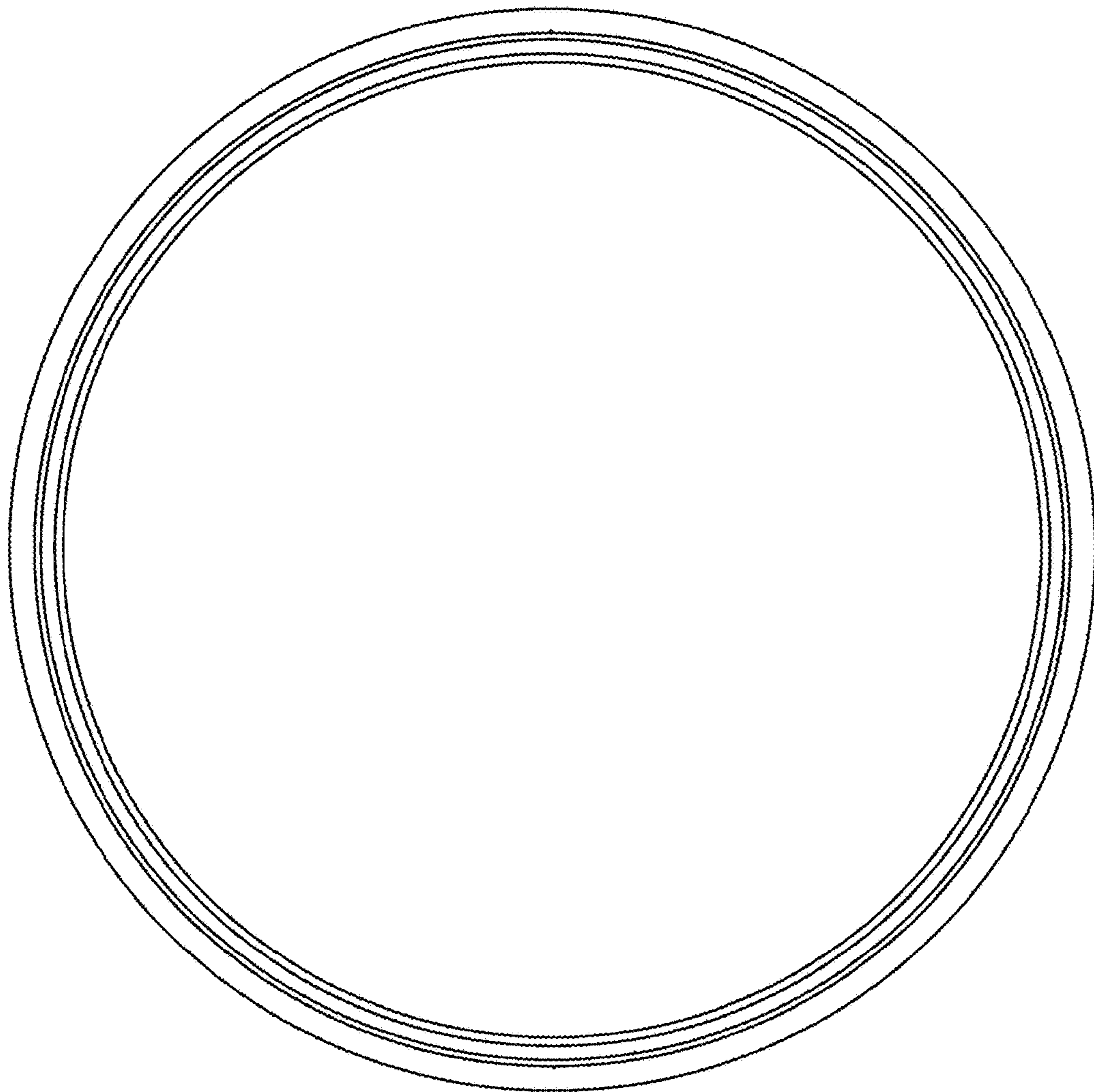


Fig. 3

Fig. 4

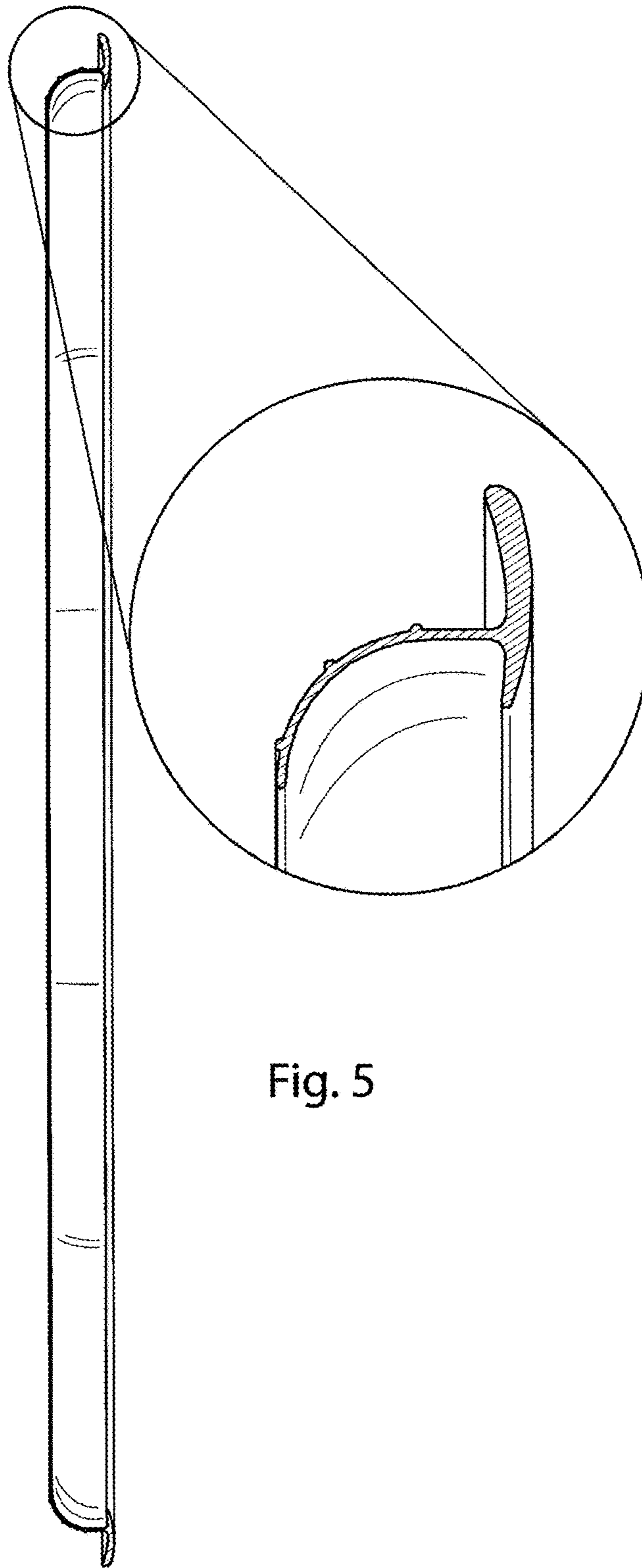
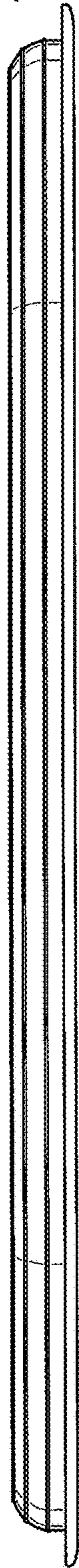


Fig. 5

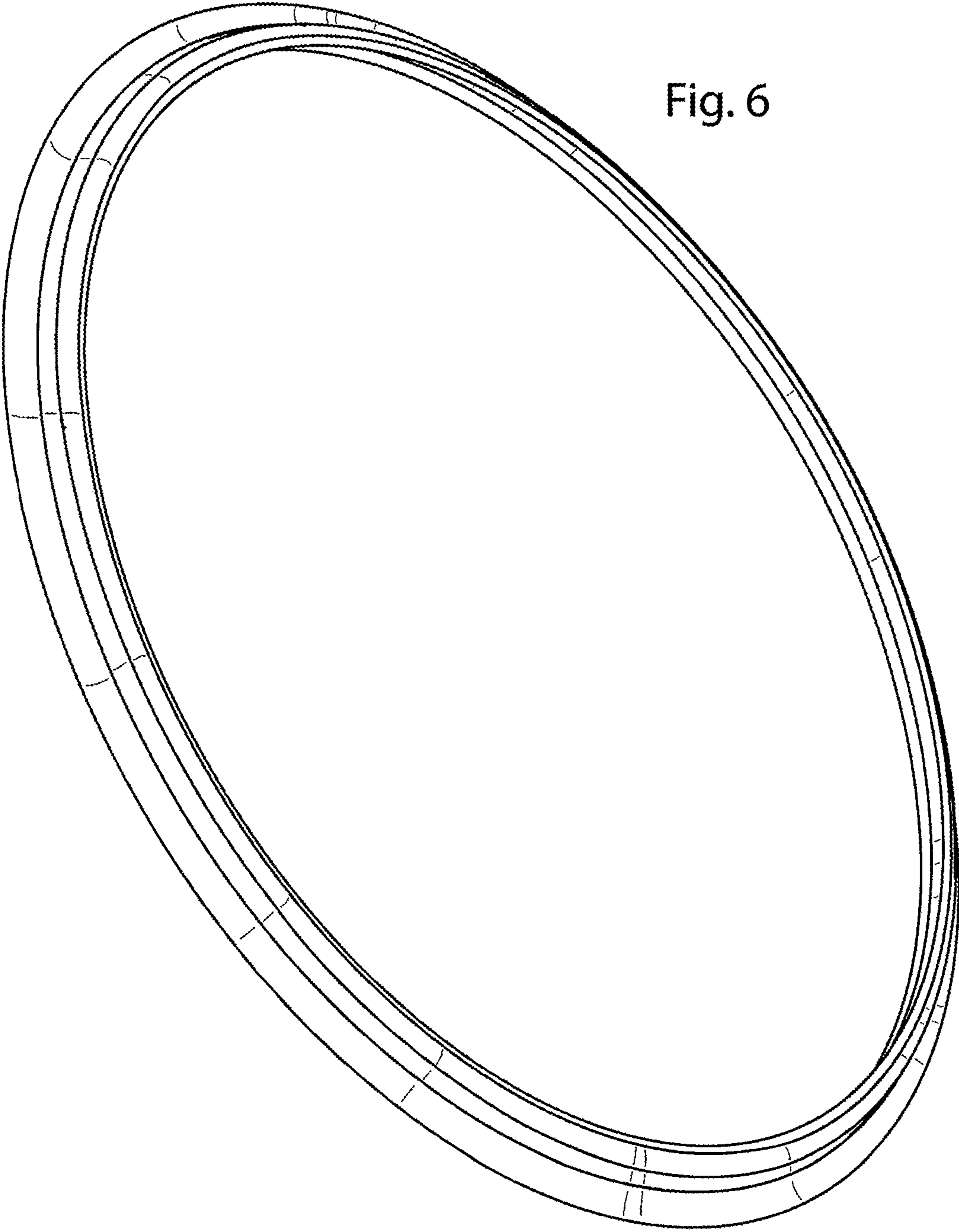


Fig. 6

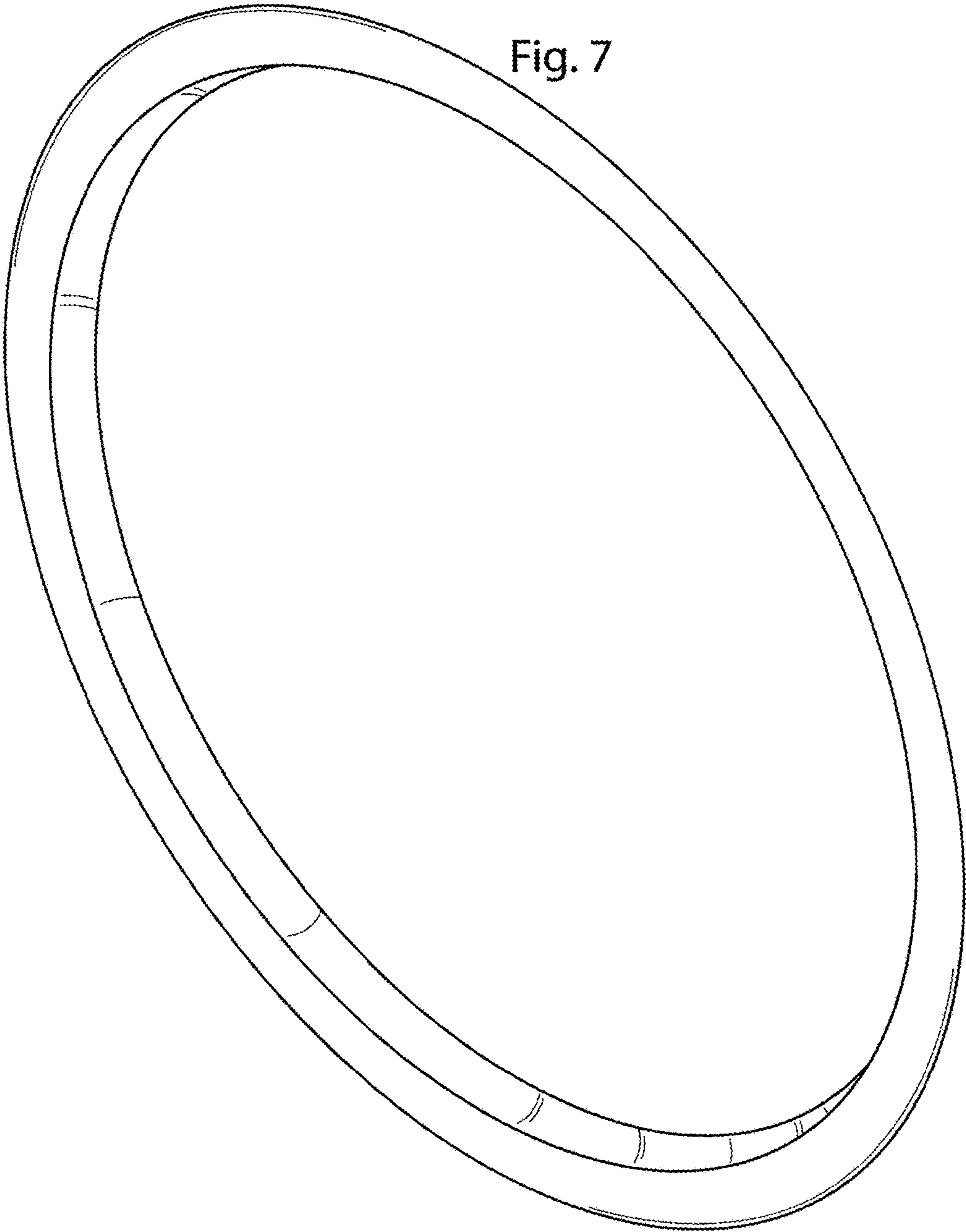


Fig. 7

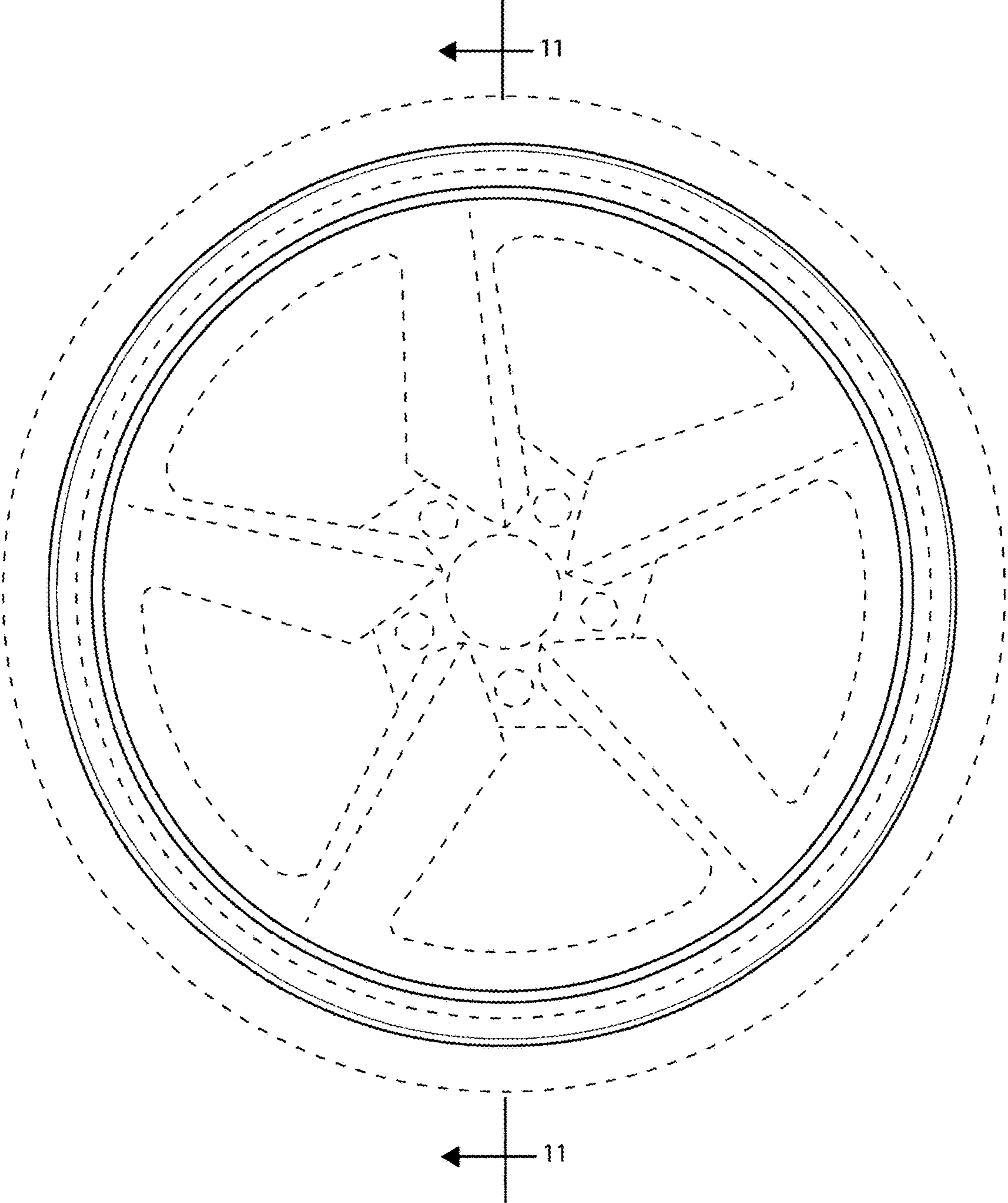


Fig. 8

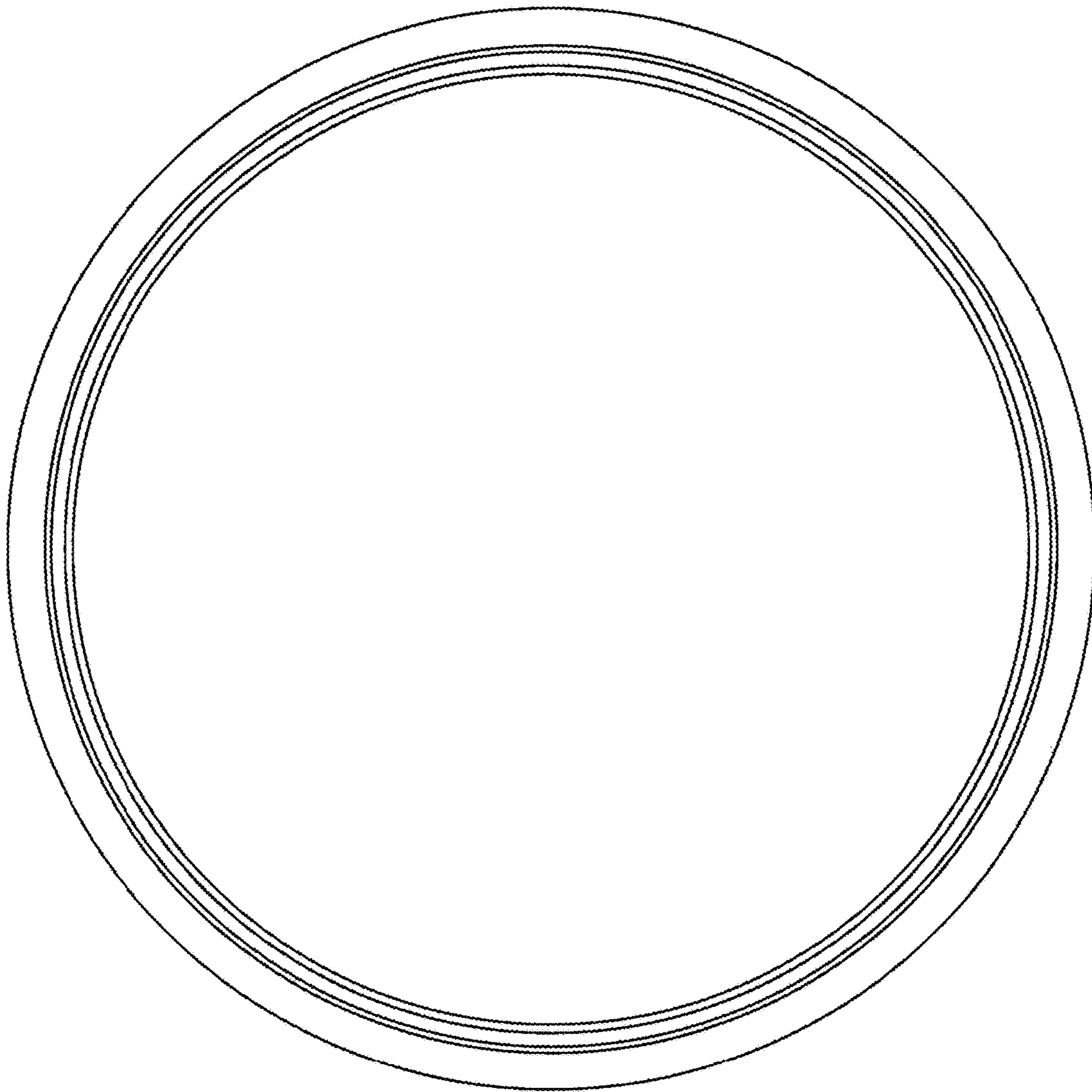


Fig. 9

Fig. 10

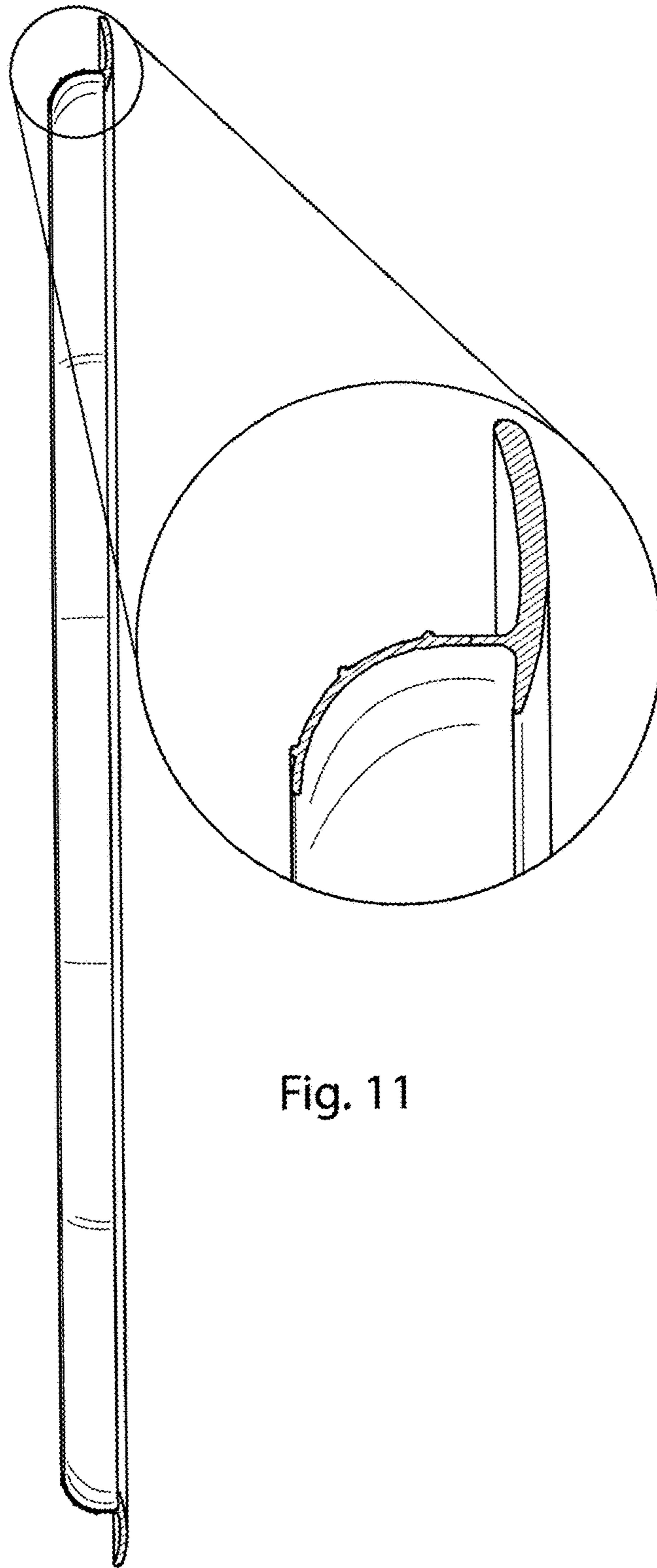
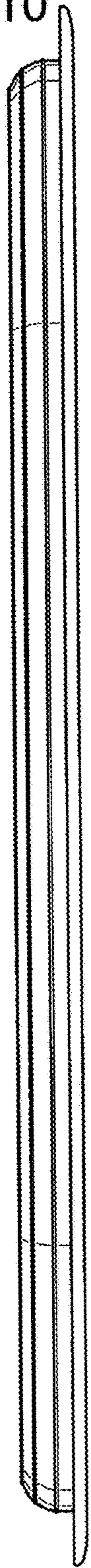


Fig. 11

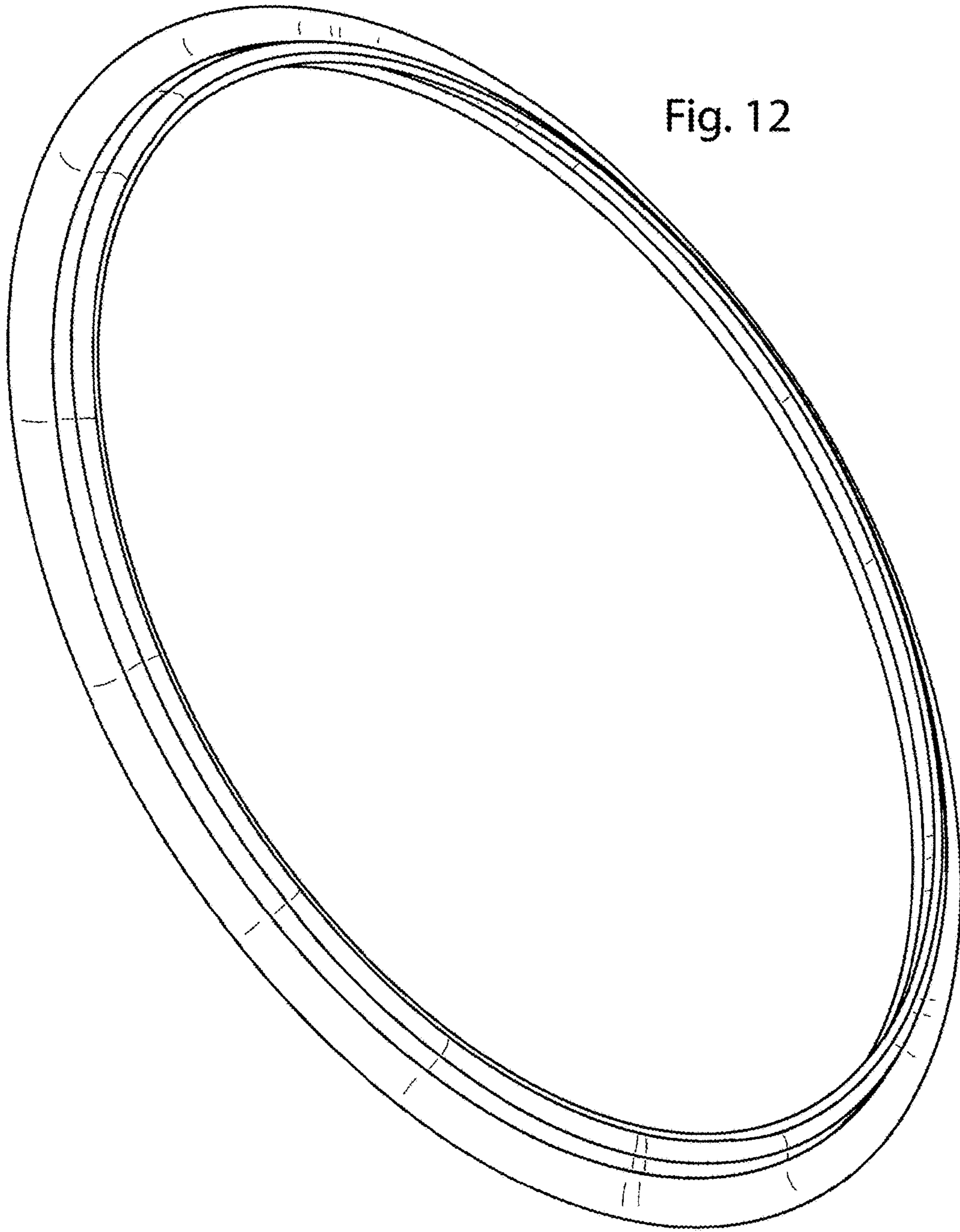
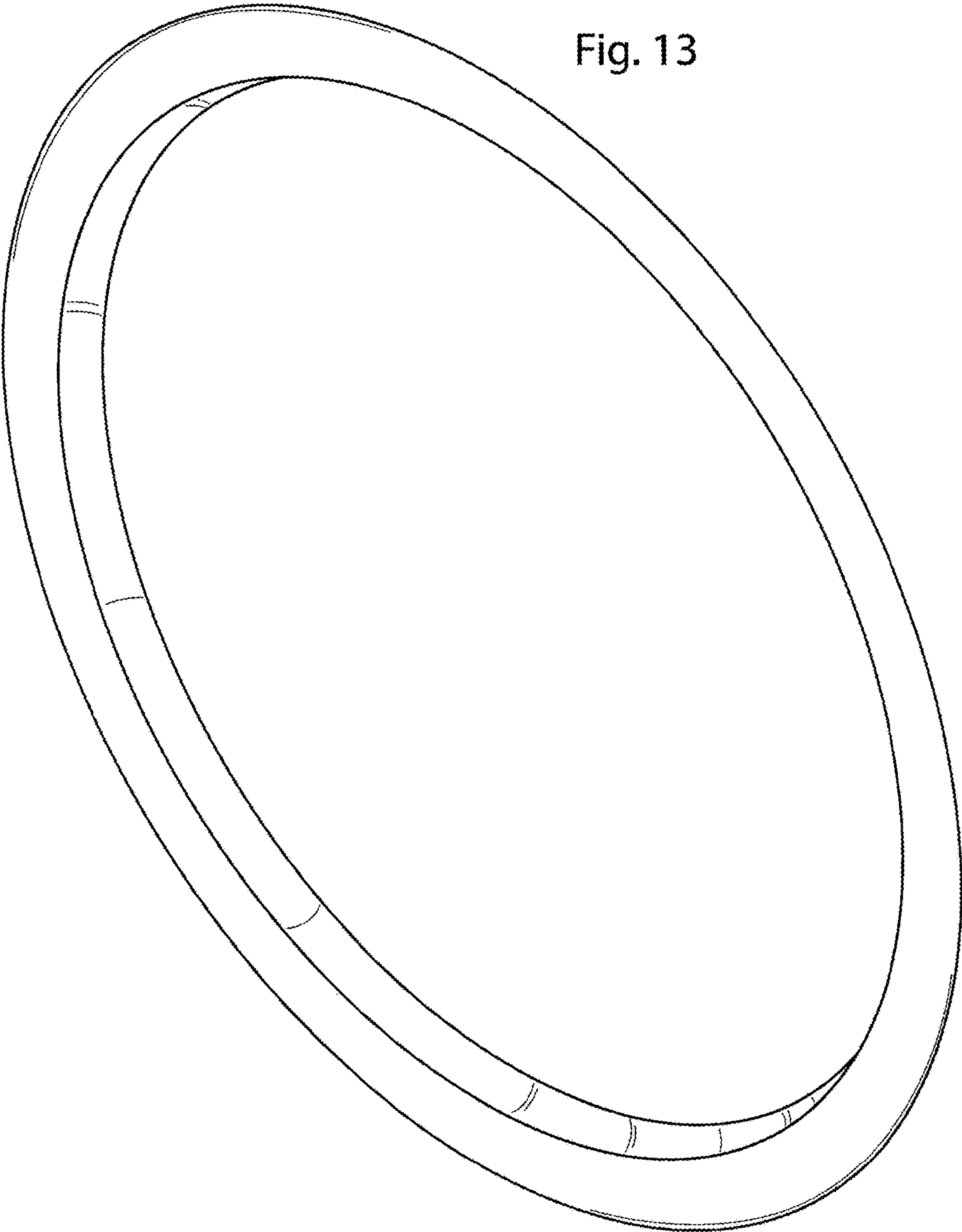


Fig. 12

Fig. 13



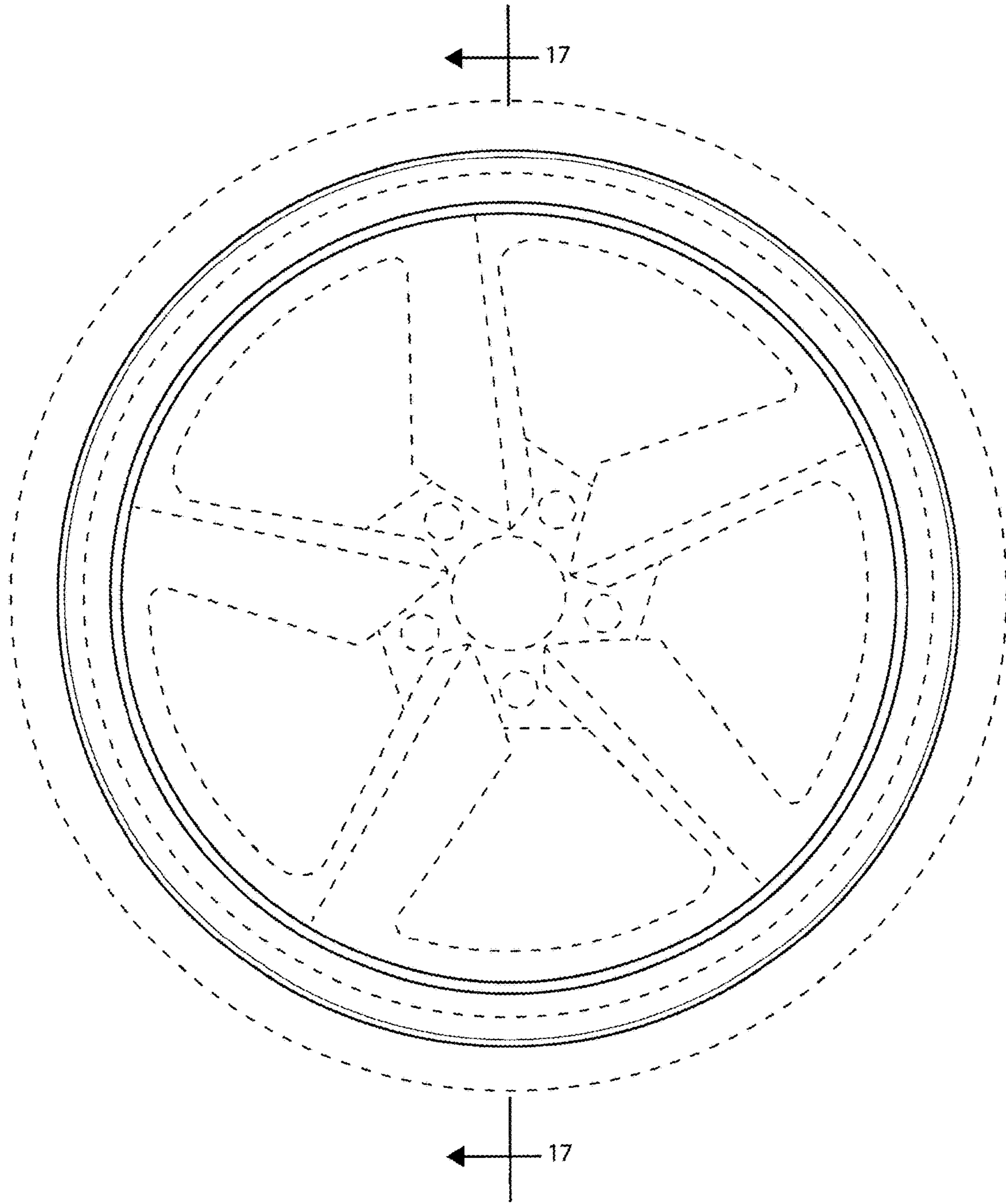


Fig. 14

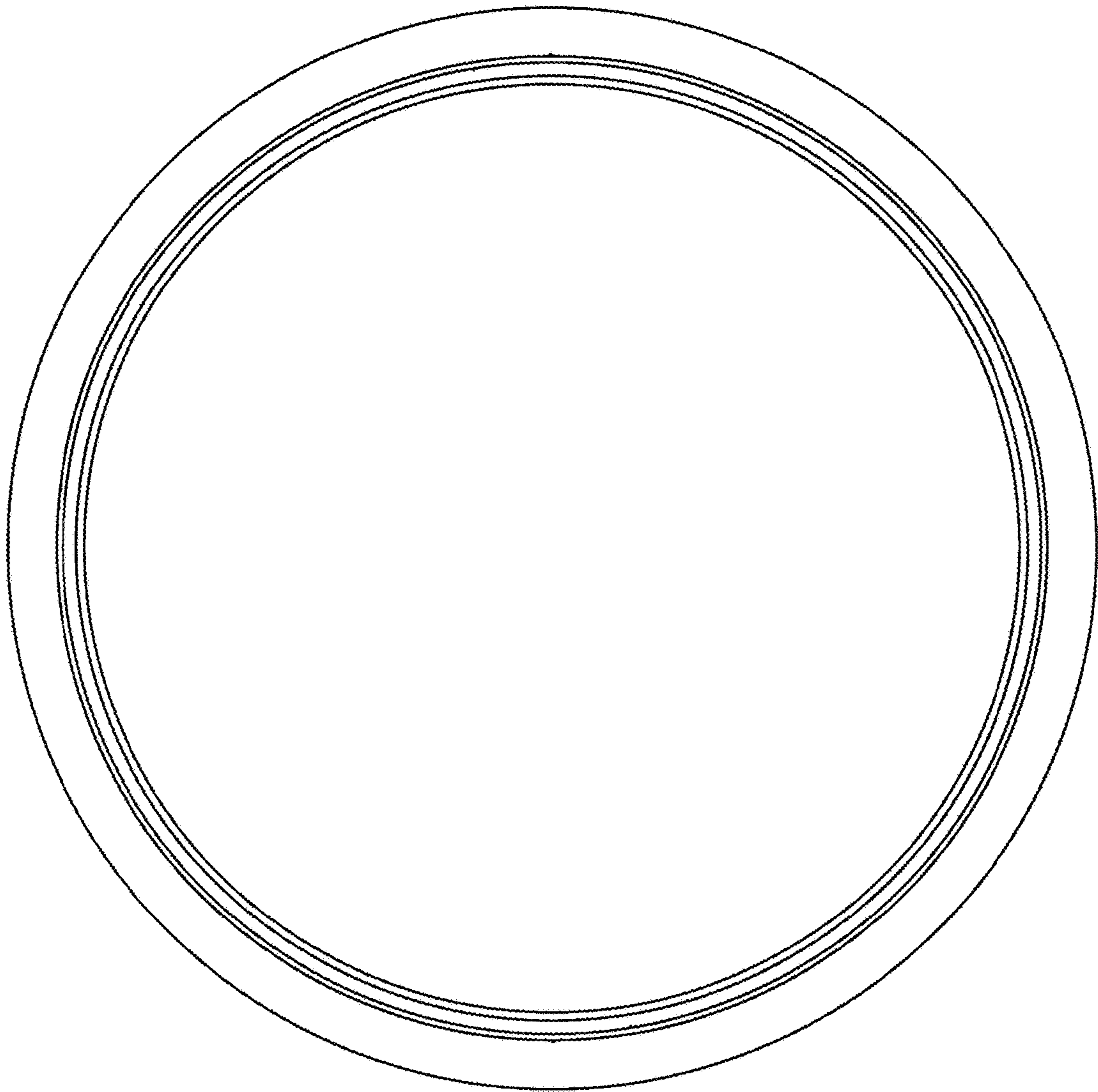


Fig. 15

Fig. 16

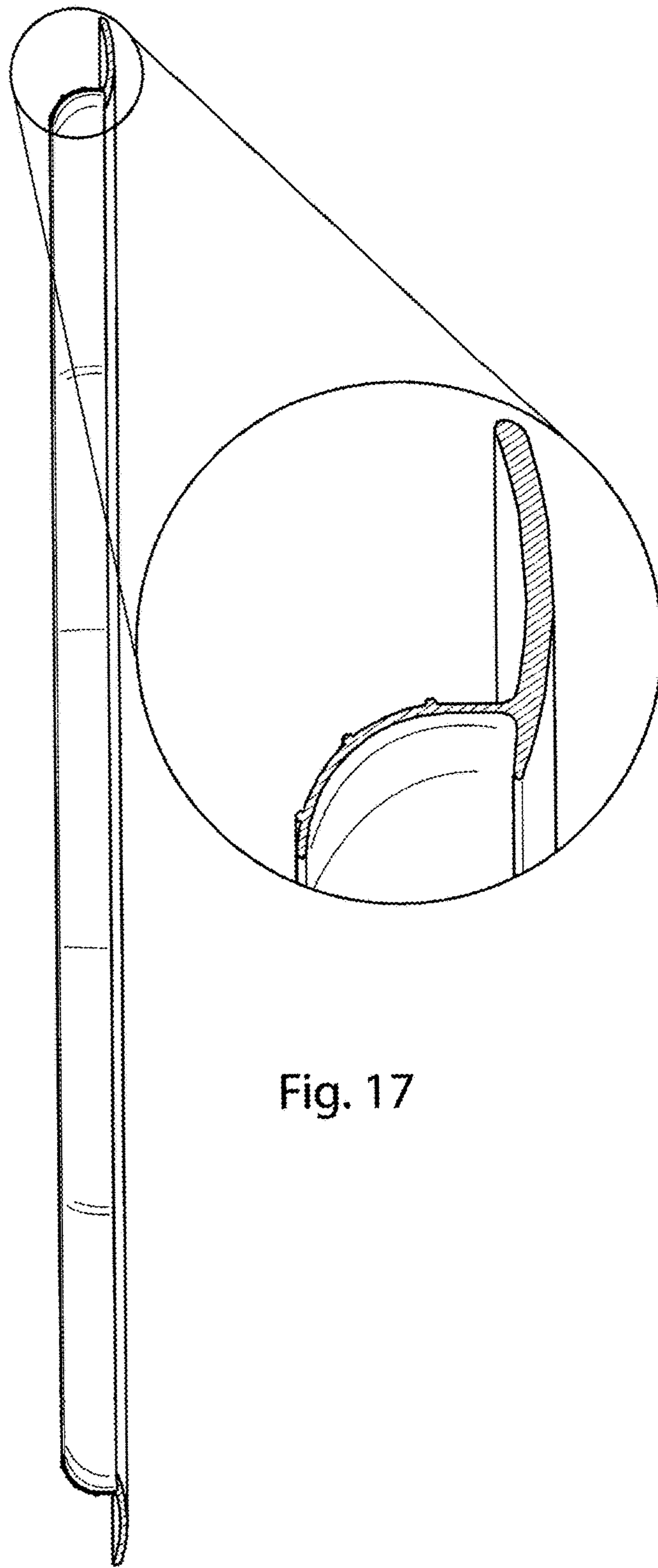
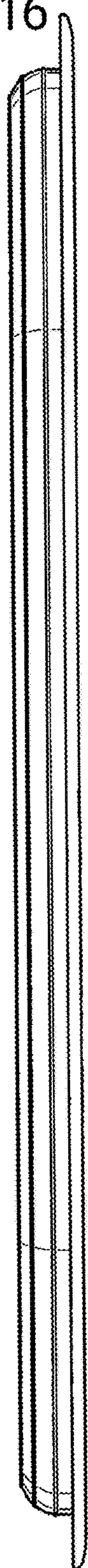


Fig. 17

