



US00D788010S

(12) **United States Design Patent**
Koenigs

(10) **Patent No.:** **US D788,010 S**

(45) **Date of Patent:** **** May 30, 2017**

(54) **VEHICLE WHEEL**

(71) Applicant: **Bayerische Motoren Werke Aktiengesellschaft, Munich (DE)**

(72) Inventor: **Daniel Koenigs, Munich (DE)**

(73) Assignee: **Bayerische Motoren Werke Aktiengesellschaft, Munich (DE)**

(**) Term: **15 Years**

(21) Appl. No.: **29/565,558**

(22) Filed: **May 23, 2016**

(30) **Foreign Application Priority Data**

Nov. 24, 2015 (DE) 40 2015 101 251

(51) **LOC (10) Cl.** **12-16**

(52) **U.S. Cl.**
USPC **D12/211**

(58) **Field of Classification Search**

USPC D12/204–213

CPC B60B 7/00; B60B 7/02; B60B 7/04; B60B

7/01; B60B 7/06; B60B 3/02; B60B 3/04;

B60B 3/06; B60B 3/10; B60B 1/00;

B60B 1/08; B60B 1/10; B60B 1/12

See application file for complete search history.

(56) **References Cited**

U.S. PATENT DOCUMENTS

D258,504 S * 3/1981 Schinella D12/211

D258,732 S * 3/1981 Schinella D12/211

D275,193 S * 8/1984 Schinella D12/211

D327,049 S 6/1992 Boyer

D459,688 S * 7/2002 Wiesinger D12/211

D497,861 S * 11/2004 Brintouch D12/209

D577,650 S * 9/2008 Chung D12/211

D630,146 S * 1/2011 Finnie D12/211

D667,771 S 9/2012 Clottu

FOREIGN PATENT DOCUMENTS

DE M8905980.8 4/1990

EM 001772922-0001 8/2012

EM 002016113-0002 9/2013

* cited by examiner

Primary Examiner — Stacia Cadmus

(74) *Attorney, Agent, or Firm* — Crowell & Moring LLP

(57) **CLAIM**

The ornamental design for a vehicle wheel, as shown and described.

DESCRIPTION

FIG. 1 is a perspective view of a vehicle wheel according to the design;

FIG. 2 is an additional perspective view thereof;

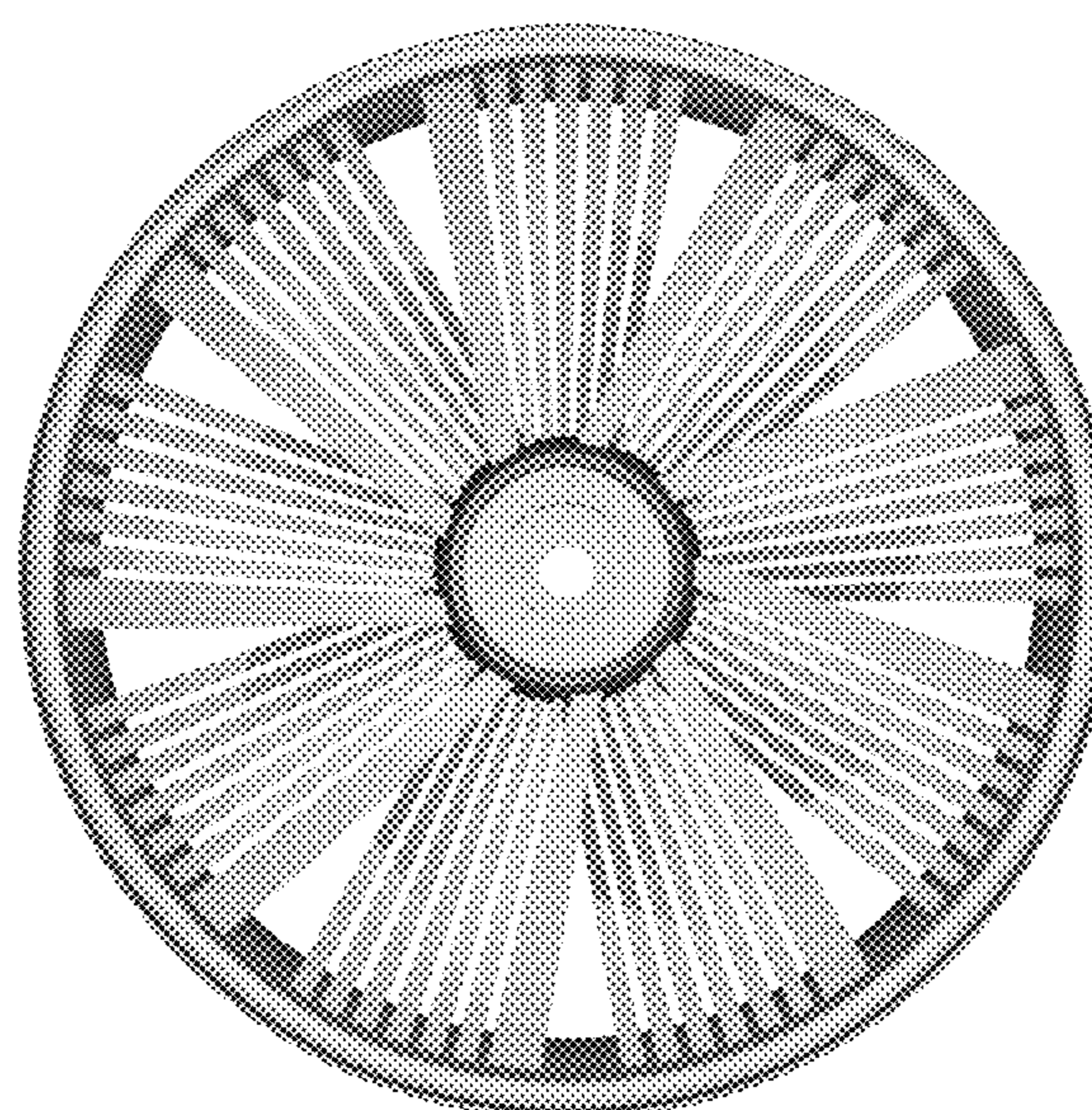
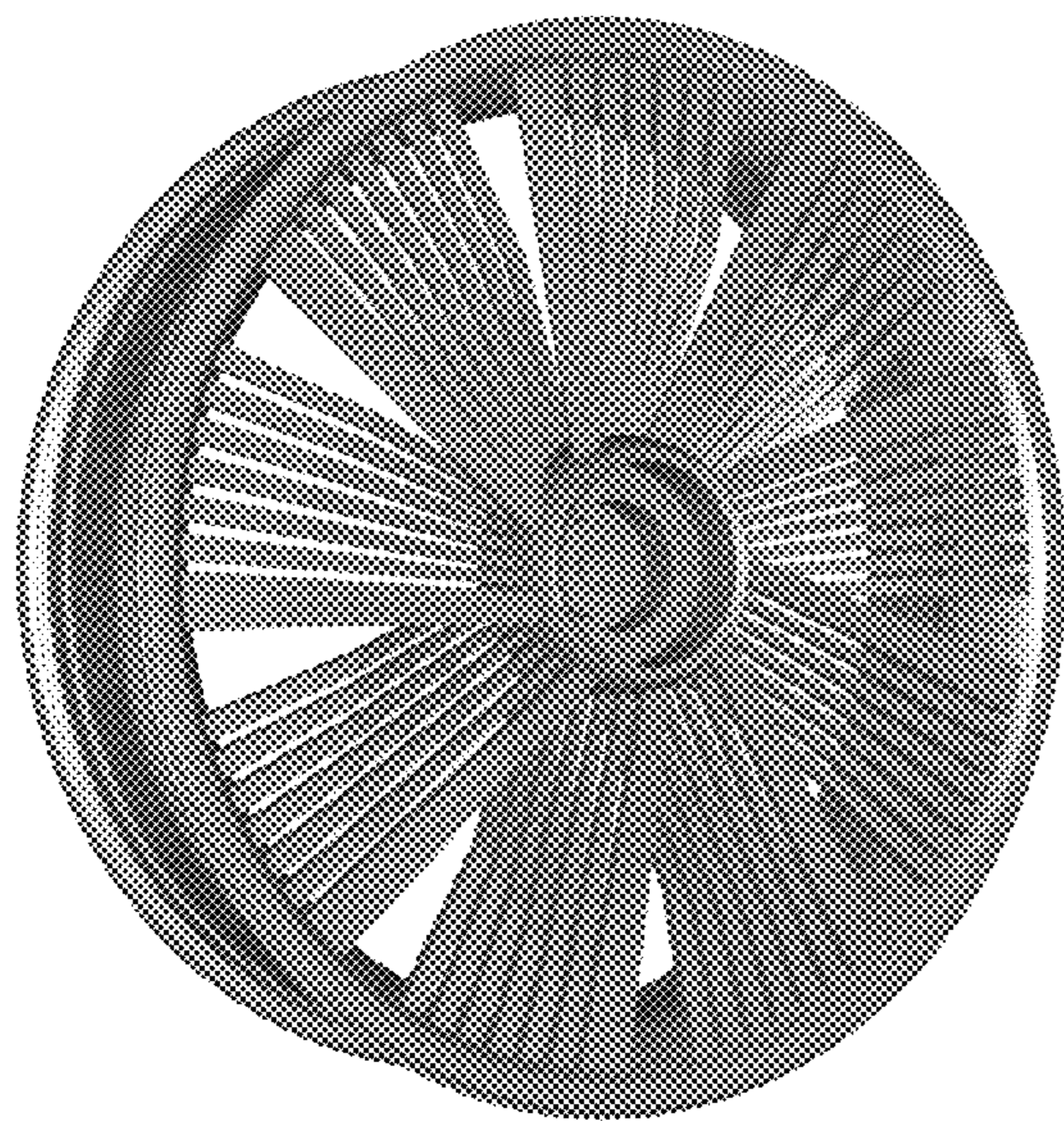
FIG. 3 is an additional perspective view thereof;

FIG. 4 is a front view thereof;

FIG. 5 is a rear view thereof in a lighter gray scale, representing environmental features that form no part of the claimed design; and,

FIG. 6 is a side view thereof.

1 Claim, 6 Drawing Sheets



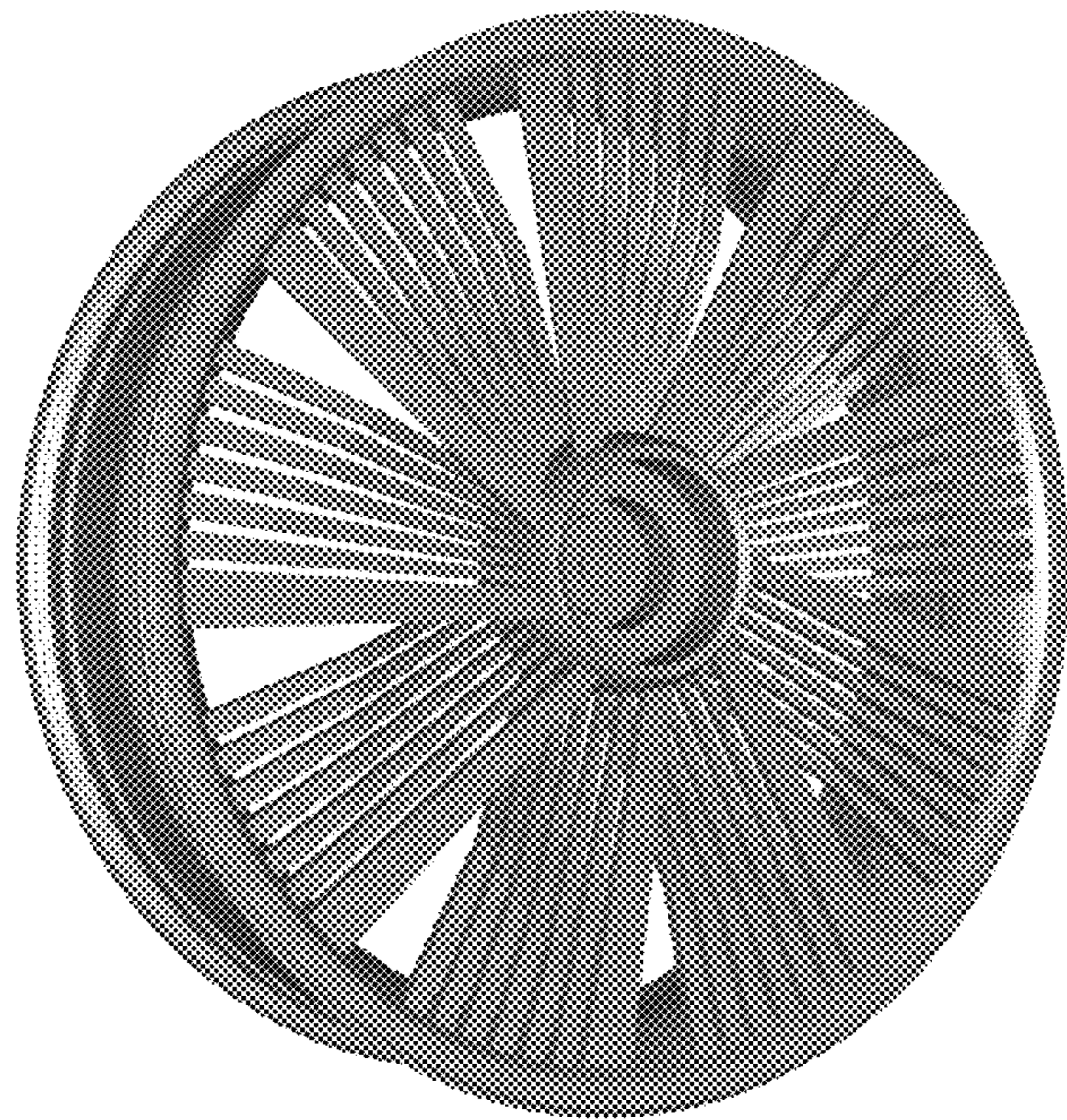


Fig. 1

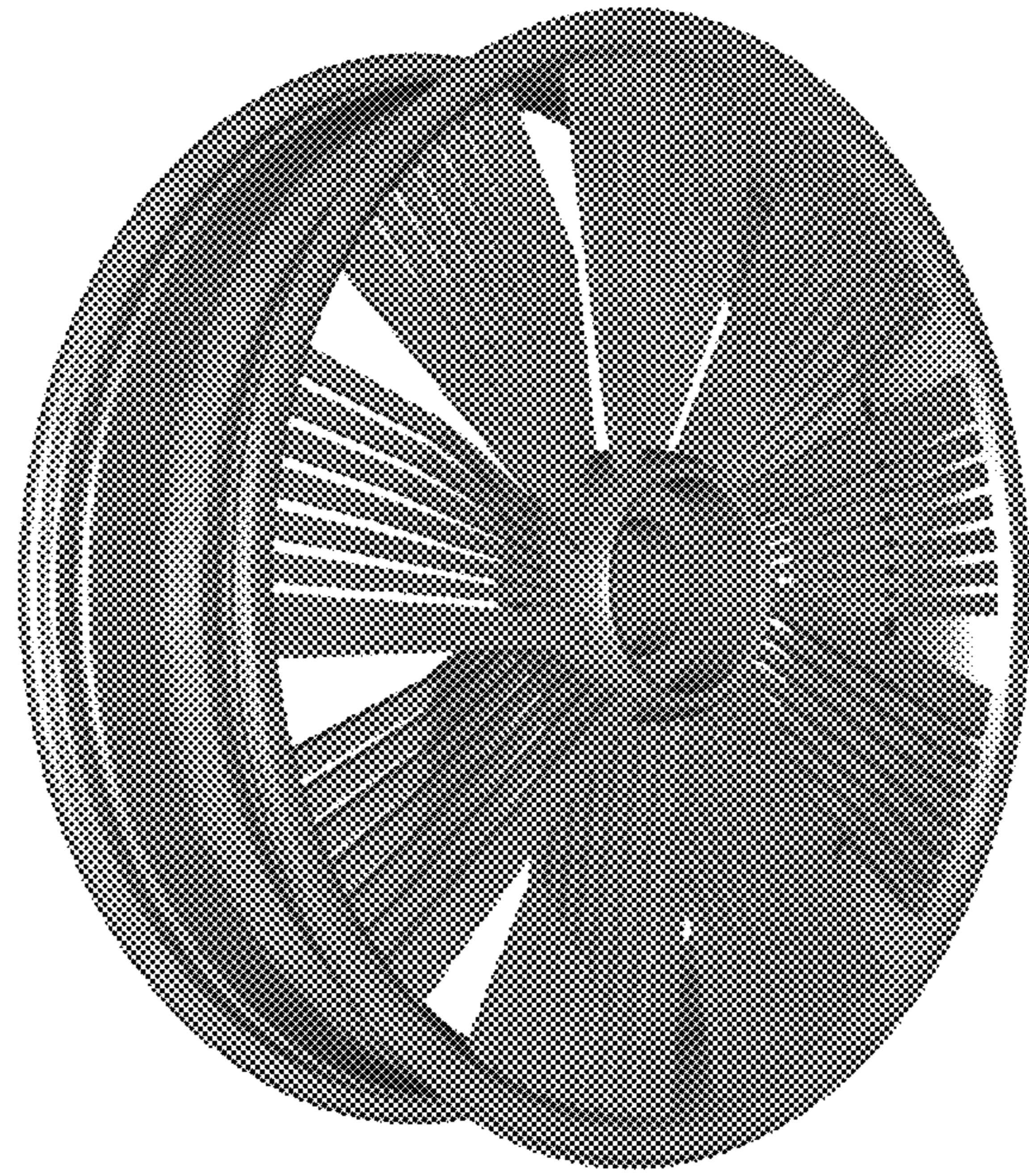


Fig. 2

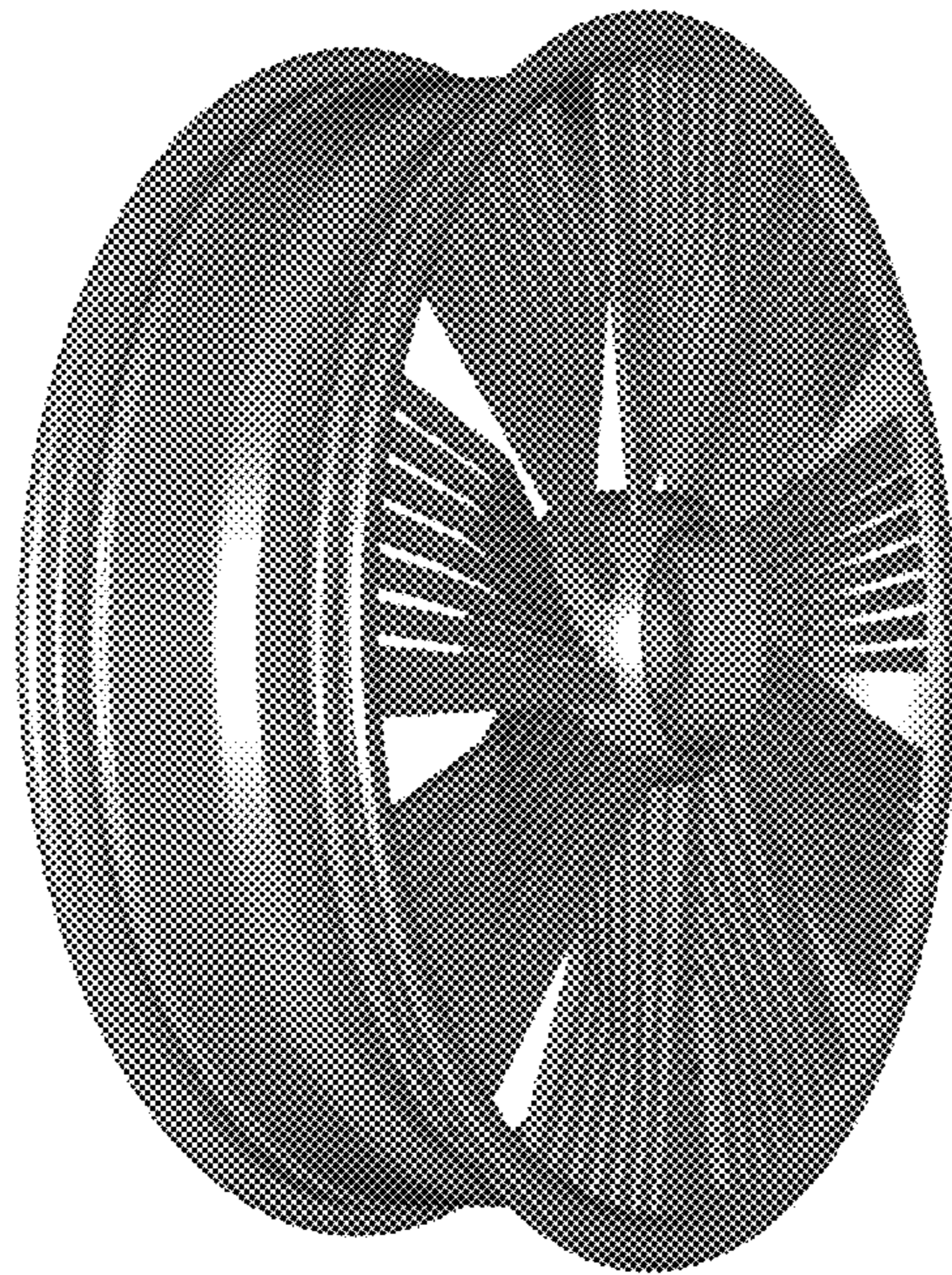


Fig. 3

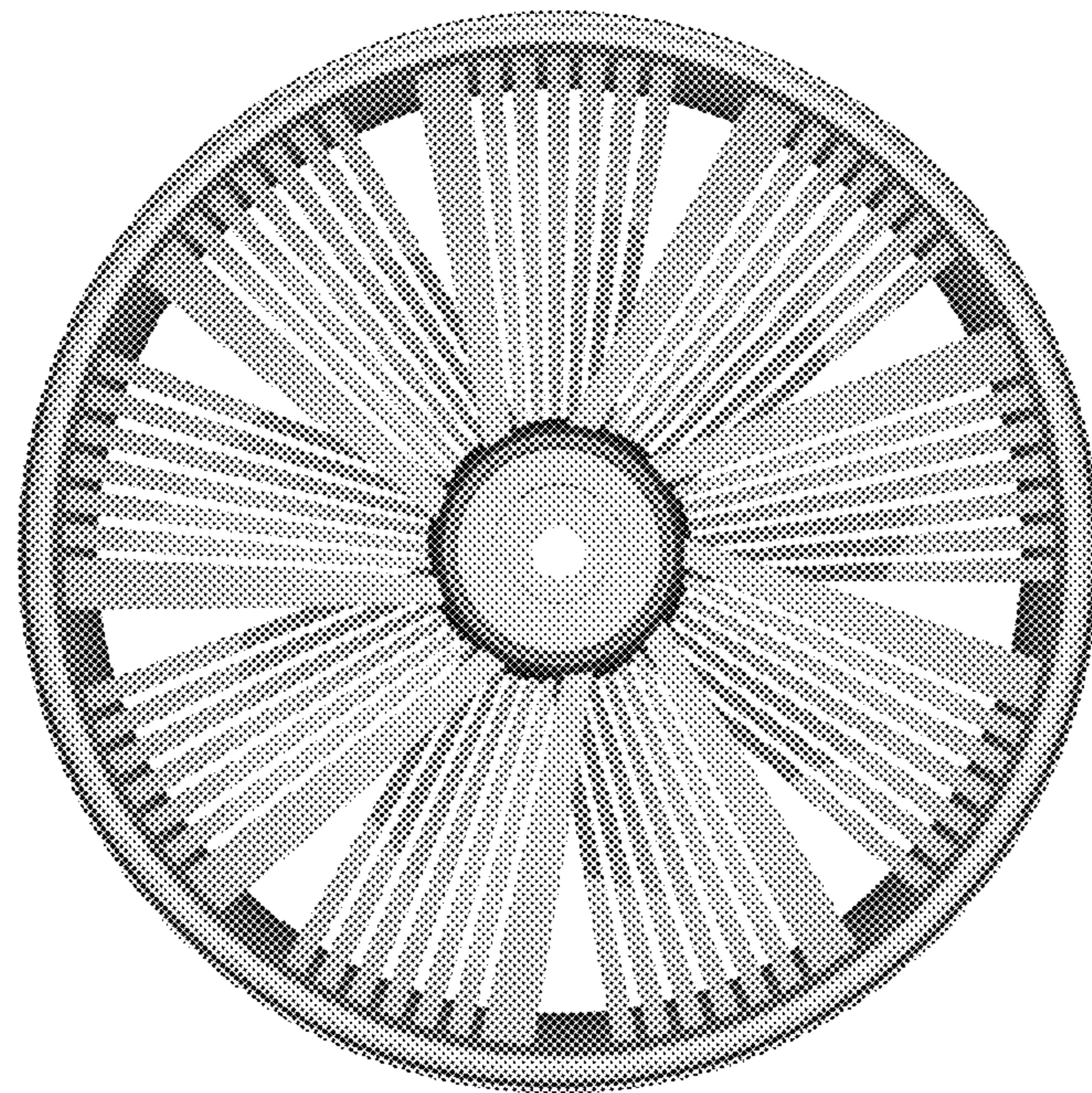


Fig. 4

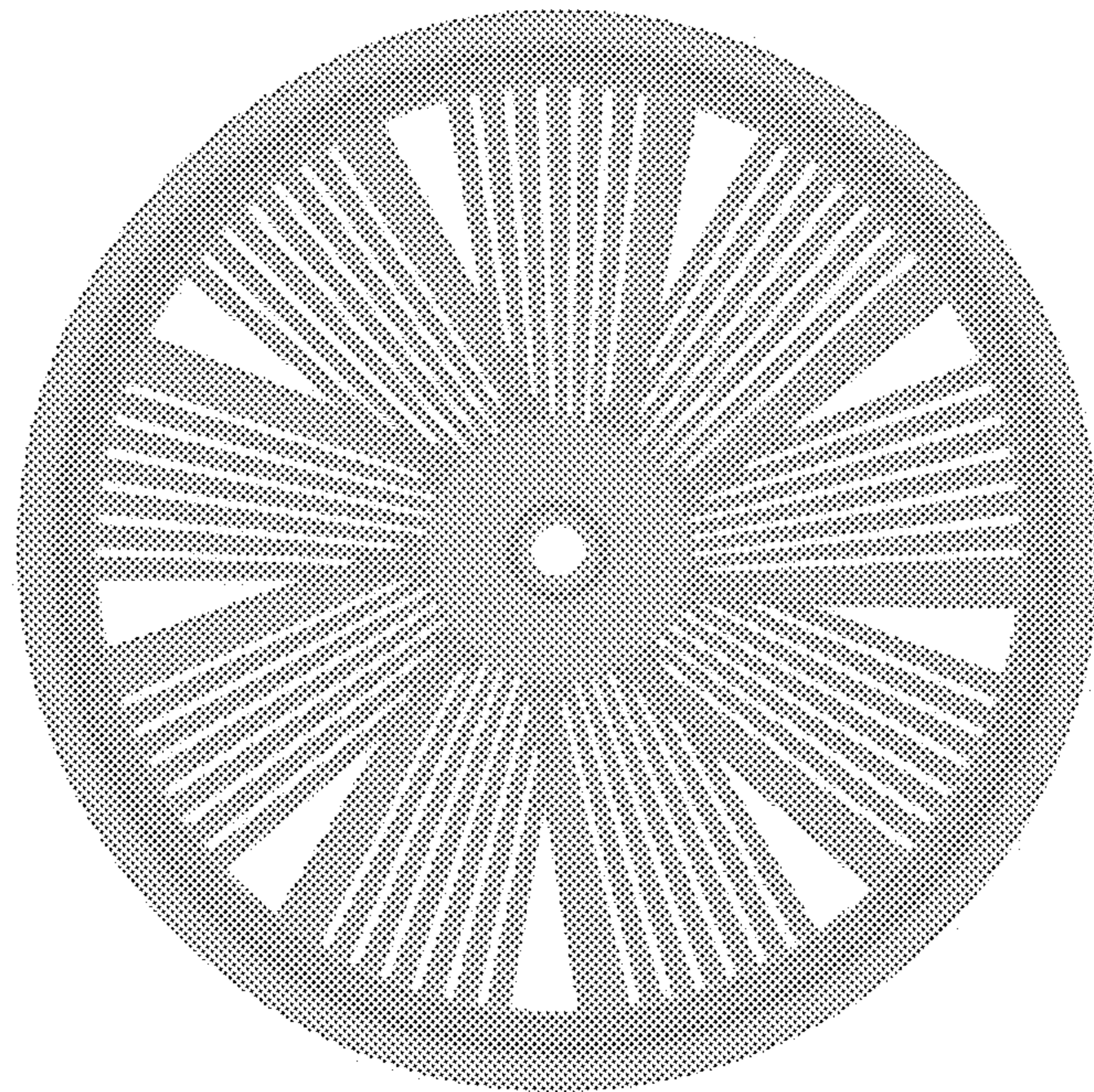


Fig. 5

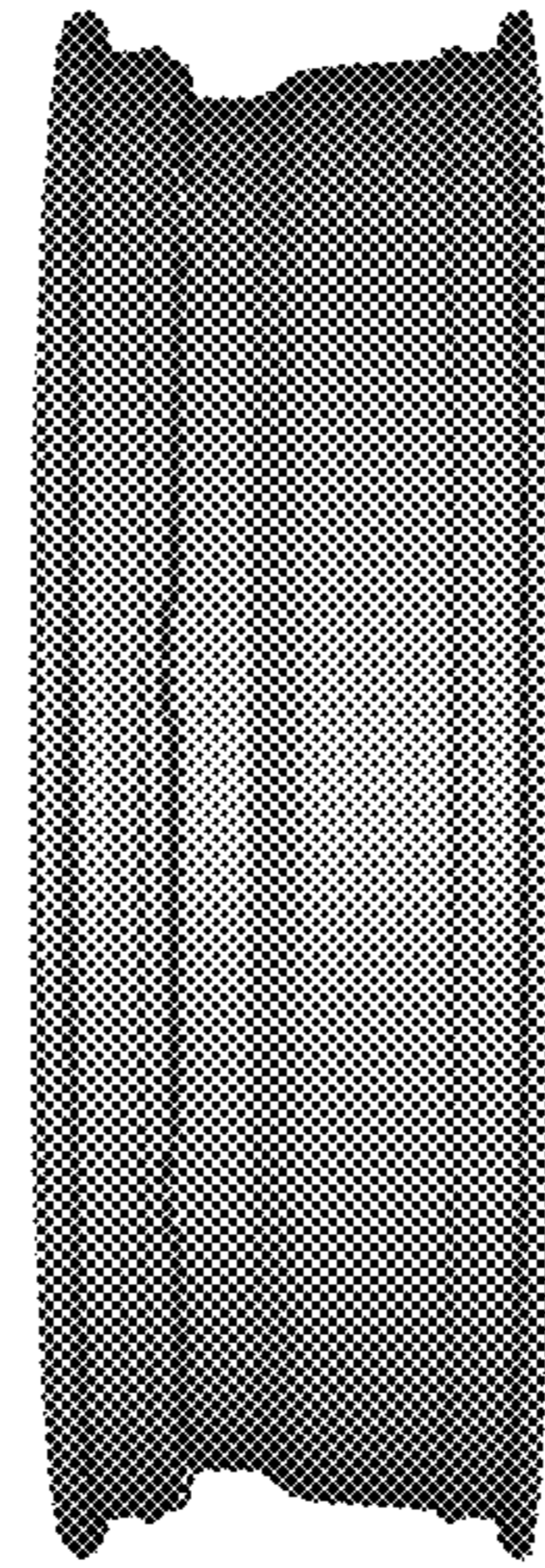


Fig. 6