



US00D788006S

(12) **United States Design Patent**
Platto et al.

(10) **Patent No.:** **US D788,006 S**

(45) **Date of Patent:** **** *May 30, 2017**

(54) **VEHICLE WHEEL**

(71) Applicant: **Ford Motor Company**, Dearborn, MI (US)

(72) Inventors: **Gordon Platto**, Troy, MI (US); **Sean Tant**, Livonia, MI (US); **Dong Park**, Beverly Hills, MI (US)

(73) Assignee: **Ford Motor Company**, Dearborn, MI (US)

(*) Notice: This patent is subject to a terminal disclaimer.

(**) Term: **15 Years**

(21) Appl. No.: **29/537,788**

(22) Filed: **Aug. 28, 2015**

(51) **LOC (10) Cl.** **12-16**

(52) **U.S. Cl.**
USPC **D12/211**

(58) **Field of Classification Search**
USPC D12/204–213
CPC B60B 7/00; B60B 7/02; B60B 7/04; B60B 7/01; B60B 7/06; B60B 3/02; B60B 3/04; B60B 3/06; B60B 3/10; B60B 1/00; B60B 1/08; B60B 1/10; B60B 1/12
See application file for complete search history.

(56) **References Cited**

U.S. PATENT DOCUMENTS

D238,421 S * 1/1976 Wittine D12/211
D440,534 S * 4/2001 Ivanova D12/211

D454,531 S * 3/2002 Amatino D12/211
D480,677 S * 10/2003 Atwell D12/211
D502,438 S * 3/2005 Weld D12/211
D504,099 S * 4/2005 Boyer D12/211
D506,718 S * 6/2005 Szavits D12/209
D514,496 S * 2/2006 Neeper D12/211
D534,113 S * 12/2006 Metros D12/211
D535,239 S * 1/2007 Hovind D12/209
D539,723 S * 4/2007 Musser D12/211
D612,789 S * 3/2010 Tant D12/211
D629,347 S * 12/2010 Kim D12/211
D639,221 S * 6/2011 Johnson D12/209
D668,199 S * 10/2012 Tant D12/211
D686,963 S * 7/2013 Hale, Jr. D12/211
D706,193 S * 6/2014 Lee D12/209
D742,296 S * 11/2015 Garbas D12/211
D763,769 S * 8/2016 Johnson D12/211

* cited by examiner

Primary Examiner — Stacia Cadmus

(74) *Attorney, Agent, or Firm* — LeClairRyan

(57) **CLAIM**

The ornamental design for a vehicle wheel, as shown and described.

DESCRIPTION

FIG. 1 is a top perspective view of a vehicle wheel; and, FIG. 2 is a front elevational view thereof.

1 Claim, 2 Drawing Sheets

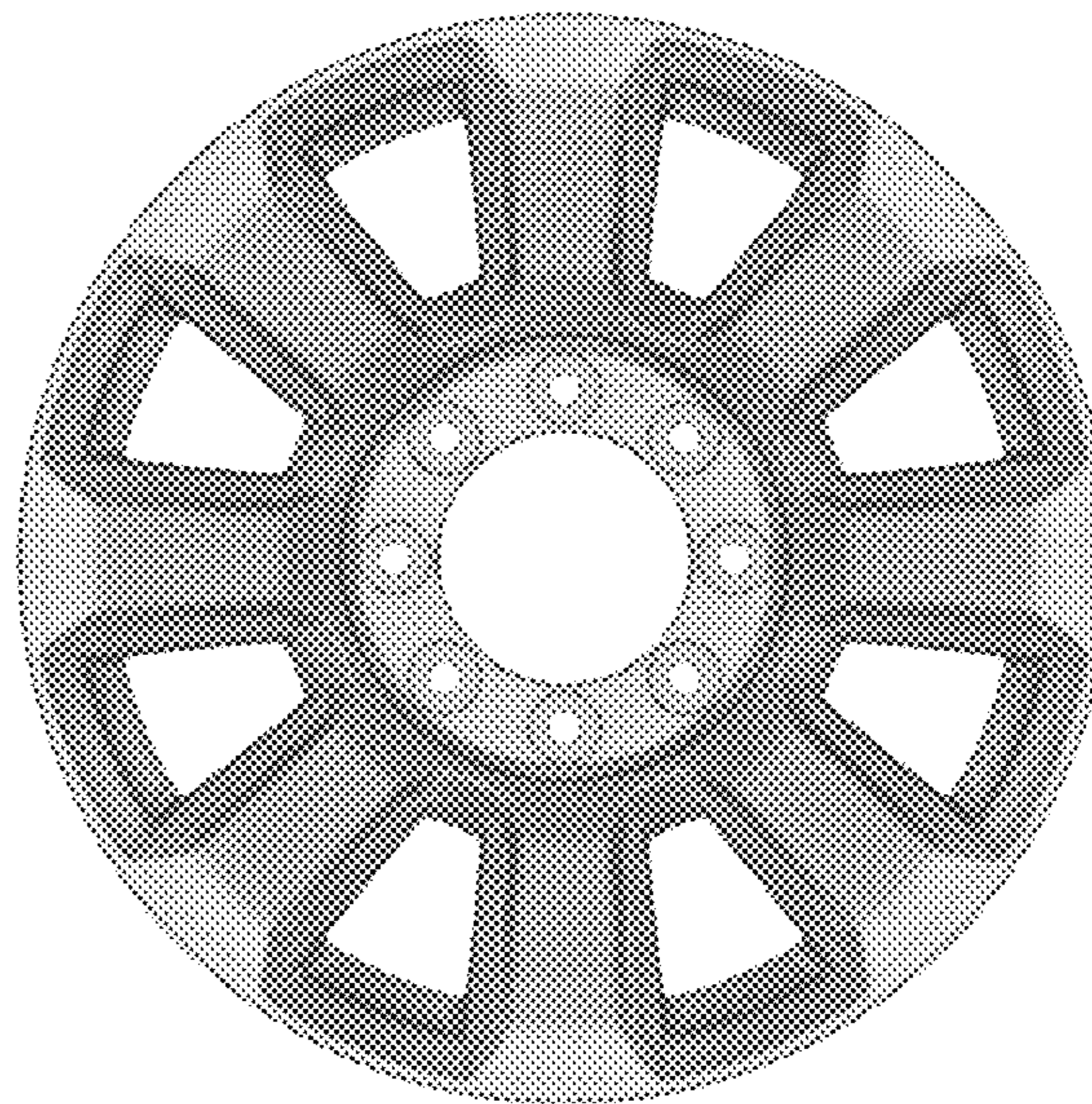
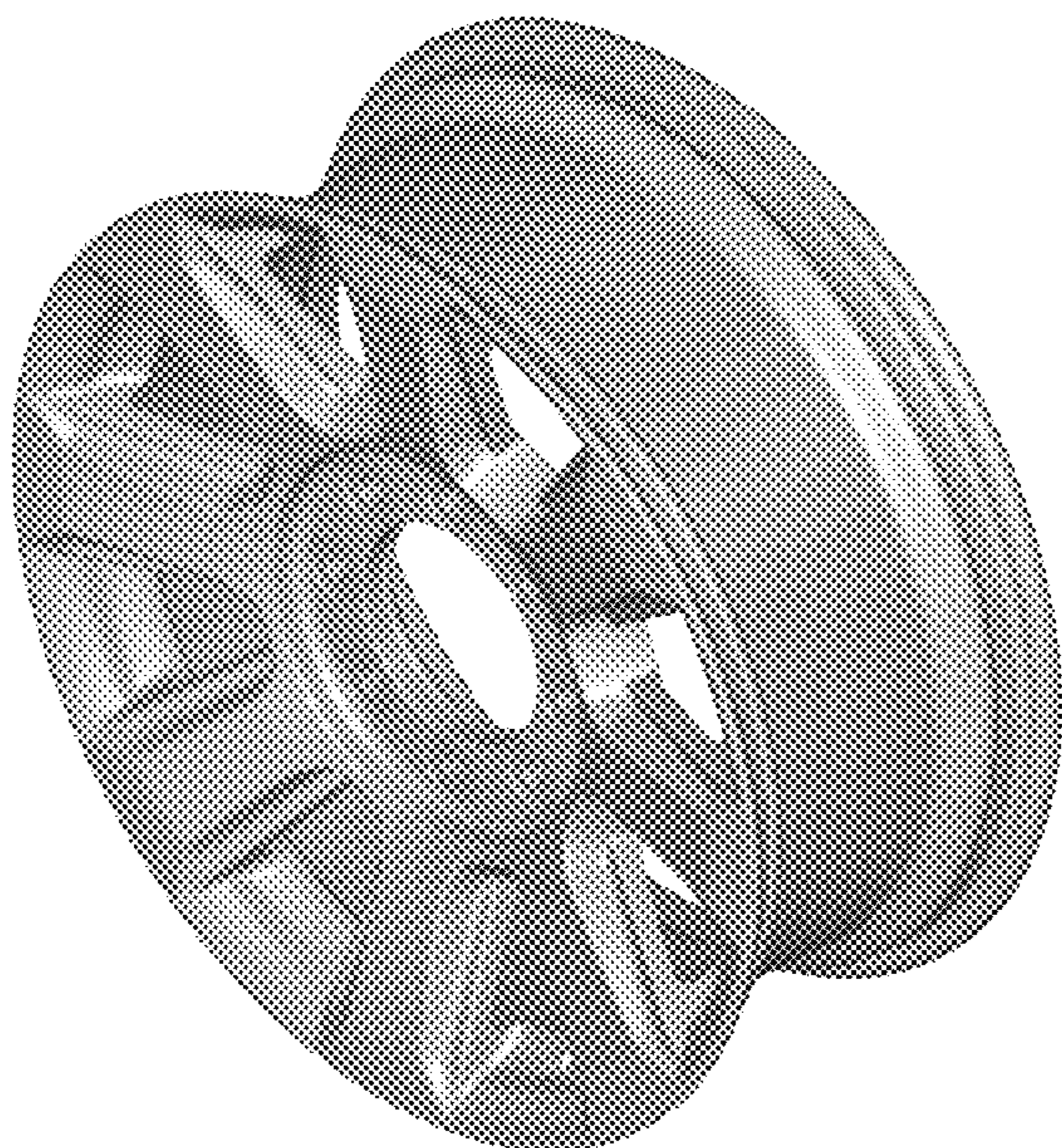




Figure 1

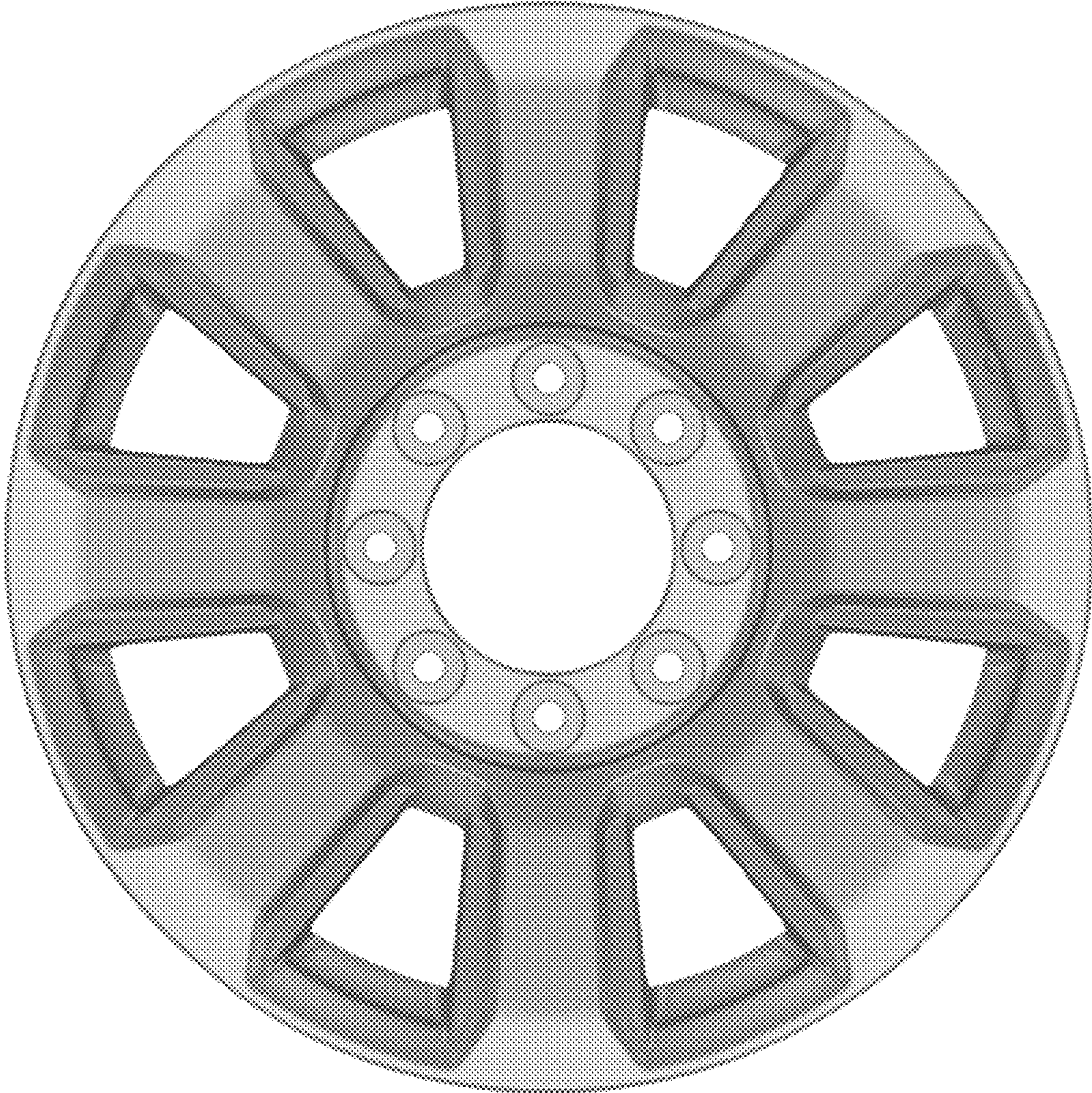


Figure 2