



US00D788003S

(12) **United States Design Patent**  
**Conforzi et al.**

(10) **Patent No.:** **US D788,003 S**

(45) **Date of Patent:** **\*\* May 30, 2017**

(54) **VEHICLE WHEEL**

(71) Applicant: **Ford Global Technologies, LLC**,  
Dearborn, MI (US)

(72) Inventors: **Mark Conforzi**, Bloomfield Hills, MI  
(US); **Stavros Melabiotis**, Livonia, MI  
(US)

(73) Assignee: **Ford Global Technologies, LLC**,  
Dearborn, MI (US)

(\*\*) Term: **15 Years**

(21) Appl. No.: **29/549,502**

(22) Filed: **Dec. 22, 2015**

(51) **LOC (10) Cl.** ..... **12-16**

(52) **U.S. Cl.**  
USPC ..... **D12/209**

(58) **Field of Classification Search**  
USPC ..... D12/204–213

CPC .... B60B 7/00; B60B 7/02; B60B 7/04; B60B  
7/01; B60B 7/06; B60B 3/02; B60B 3/04;  
B60B 3/06; B60B 3/10; B60B 1/00;  
B60B 1/08; B60B 1/10; B60B 1/12

See application file for complete search history.

(56) **References Cited**

U.S. PATENT DOCUMENTS

D375,716 S *	11/1996	Dehner	.....	D12/209
D430,842 S *	9/2000	Chinellato	.....	D12/209
D455,991 S *	4/2002	Kaucher	.....	D12/196
D481,345 S *	10/2003	O'Connell	.....	D12/211
D569,322 S *	5/2008	Scheu	.....	D12/211
D590,322 S *	4/2009	Rak	.....	D12/211
D594,800 S *	6/2009	Blasi	.....	D12/209
D655,657 S *	3/2012	Juergens	.....	D12/209
D660,765 S	5/2012	Gotschke et al.		
D660,766 S	5/2012	Gotschke et al.		

D660,767 S *	5/2012	von Holzhausen	.....	D12/209
D660,772 S	5/2012	Gotschke et al.		
D666,958 S *	9/2012	Suzuki	.....	D12/211
D668,197 S	10/2012	Gotschke et al.		
D686,132 S *	7/2013	Truebsbach	.....	D12/209
D688,181 S	8/2013	Gotschke et al.		
D688,182 S	8/2013	Gotschke et al.		
D688,183 S	8/2013	Gotschke et al.		
D691,081 S *	10/2013	Watkin	.....	D12/211
D695,186 S *	12/2013	Pollmann	.....	D12/209
D695,668 S *	12/2013	Juergens	.....	D12/209
D706,194 S *	6/2014	Hanaoka	.....	D12/209
D710,286 S *	8/2014	Yamaguchi	.....	D12/209
D729,138 S *	5/2015	Davidson	.....	D12/209
D746,212 S *	12/2015	Valencia Pollex	.....	D12/211
D756,878 S *	5/2016	Valencia Pollex	.....	D12/209
D759,566 S *	6/2016	Valencia Pollex	.....	D12/211
D763,158 S *	8/2016	Hara	.....	D12/209

FOREIGN PATENT DOCUMENTS

DE 40201200637.6 2/2015

OTHER PUBLICATIONS

Josh Sadlier, 2017 Ford Fusion Teased in New Photos, <http://www.autotrader.com/car-news/2017-ford-fusion-teased-in-new-photos-238624> Apr. 2015.

(Continued)

*Primary Examiner* — Stacia Cadmus

(74) *Attorney, Agent, or Firm* — LeClairRyan

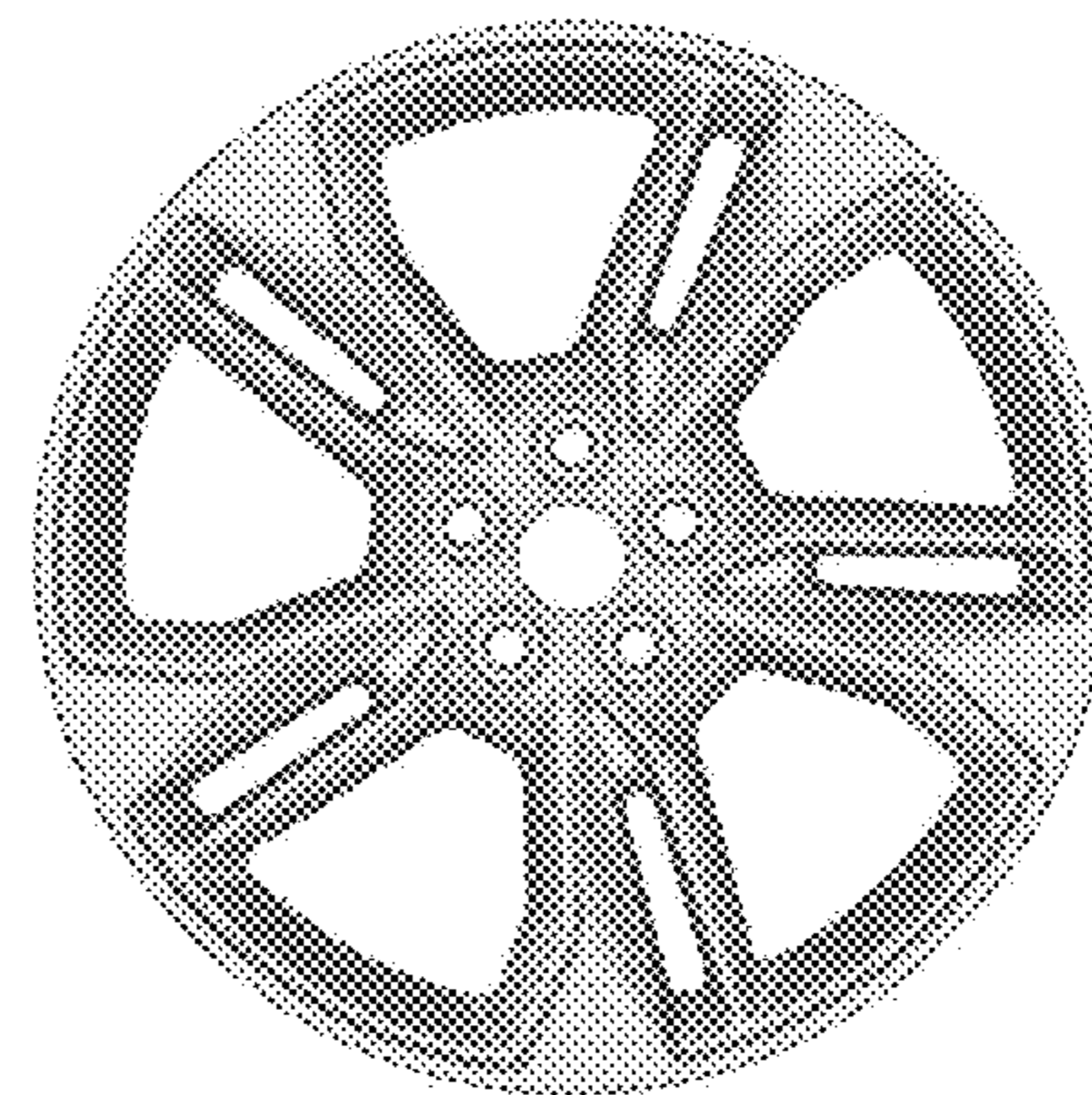
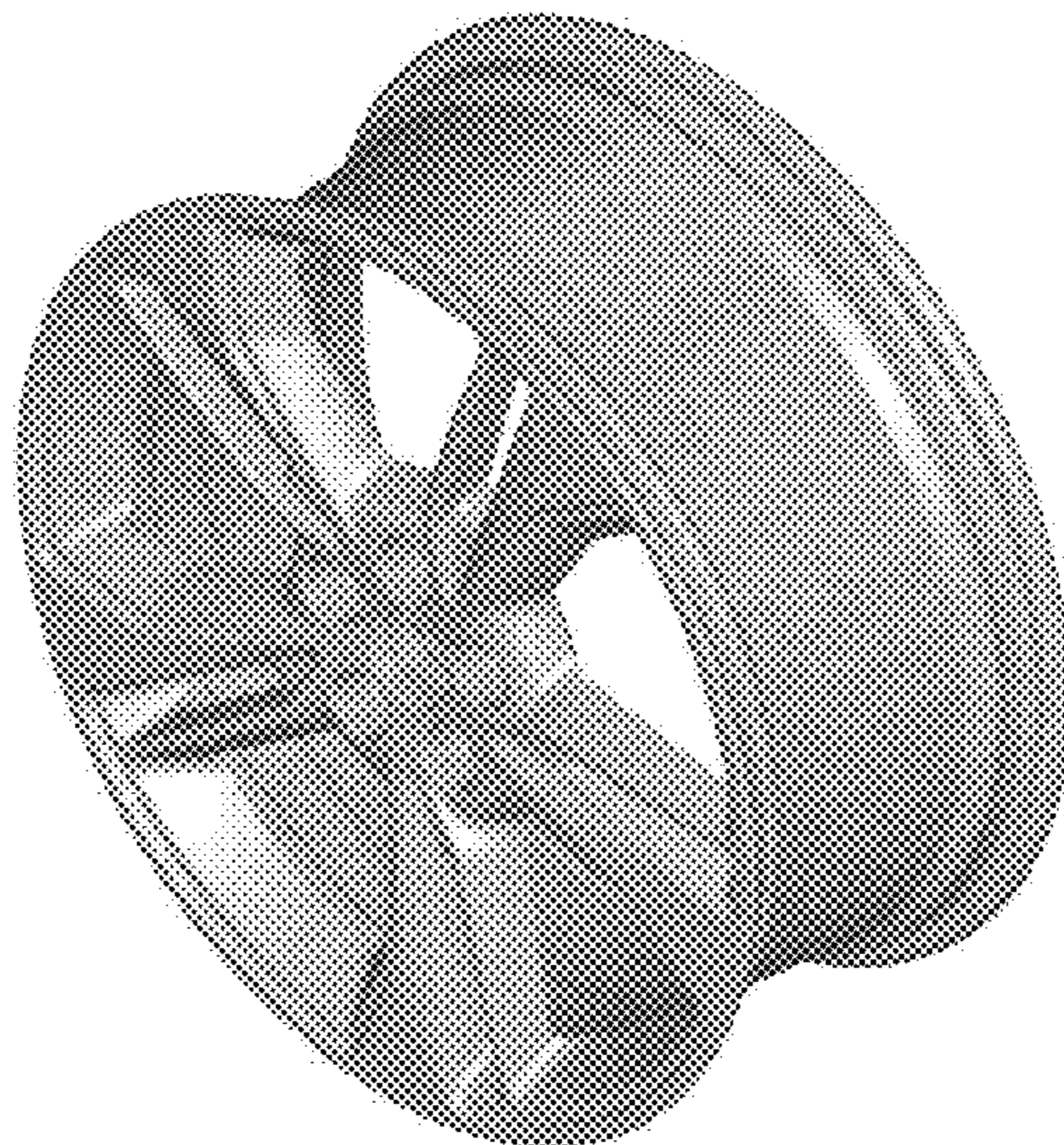
(57) **CLAIM**

The ornamental design for a vehicle wheel, as shown and described.

**DESCRIPTION**

FIG. 1 is a top perspective view of a vehicle wheel; and, FIG. 2 is a front elevational view thereof.

**1 Claim, 2 Drawing Sheets**



(56)

**References Cited**

OTHER PUBLICATIONS

Ciprian Florea, 2017 Ford Fusion St, <http://www.topspeed.com/cars/ford/2017-ford-fusion-st-ar171128.html> Sep. 6, 2015.

Michael Gauthier, 2017 Ford Fusion Facelift Spied in Michigan, <http://www.motor1.com/spy/59710/2017-ford-fusion-facelift-spied-in-michigan> Nov. 19, 2015.

\* cited by examiner

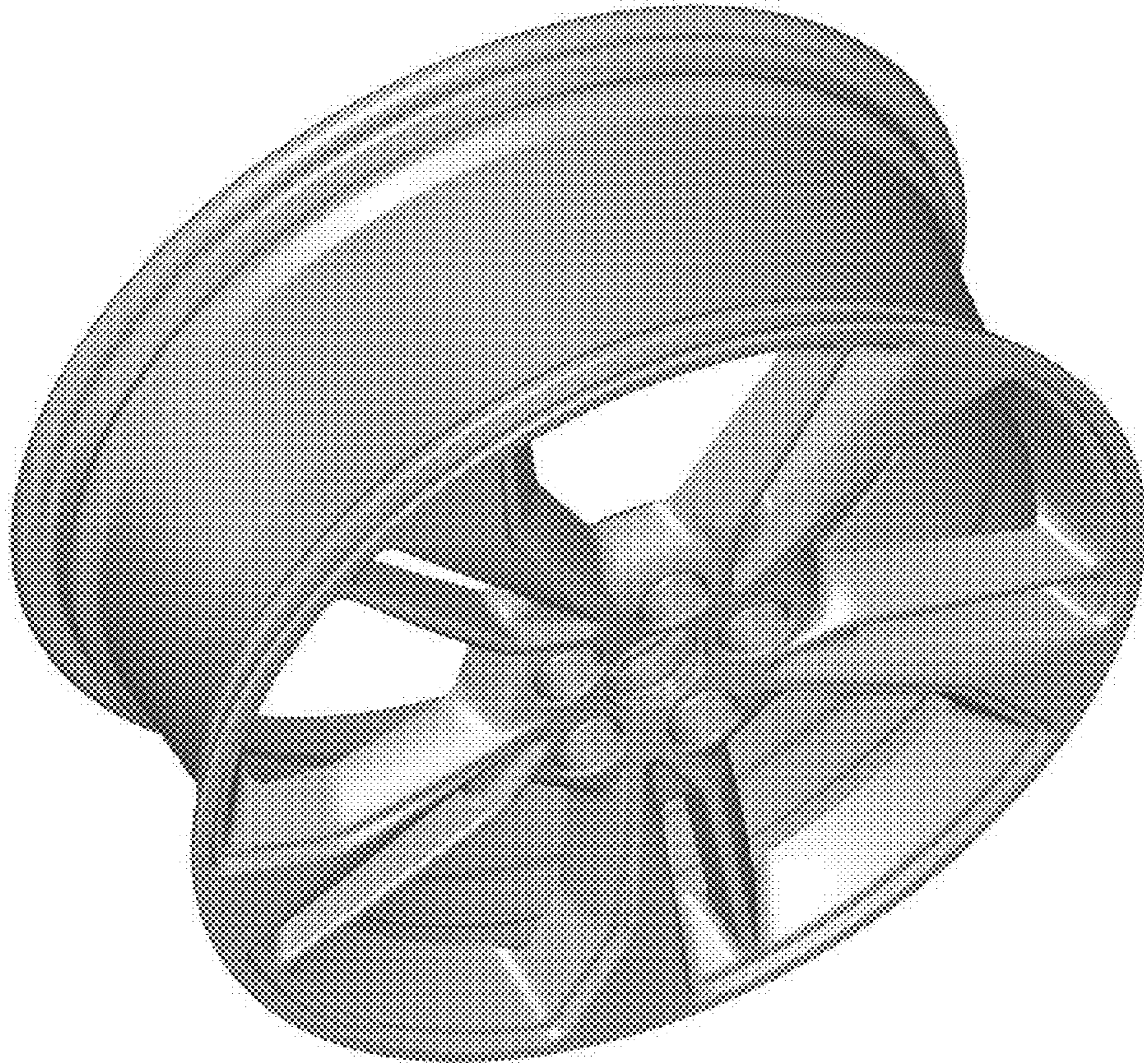


Figure 1

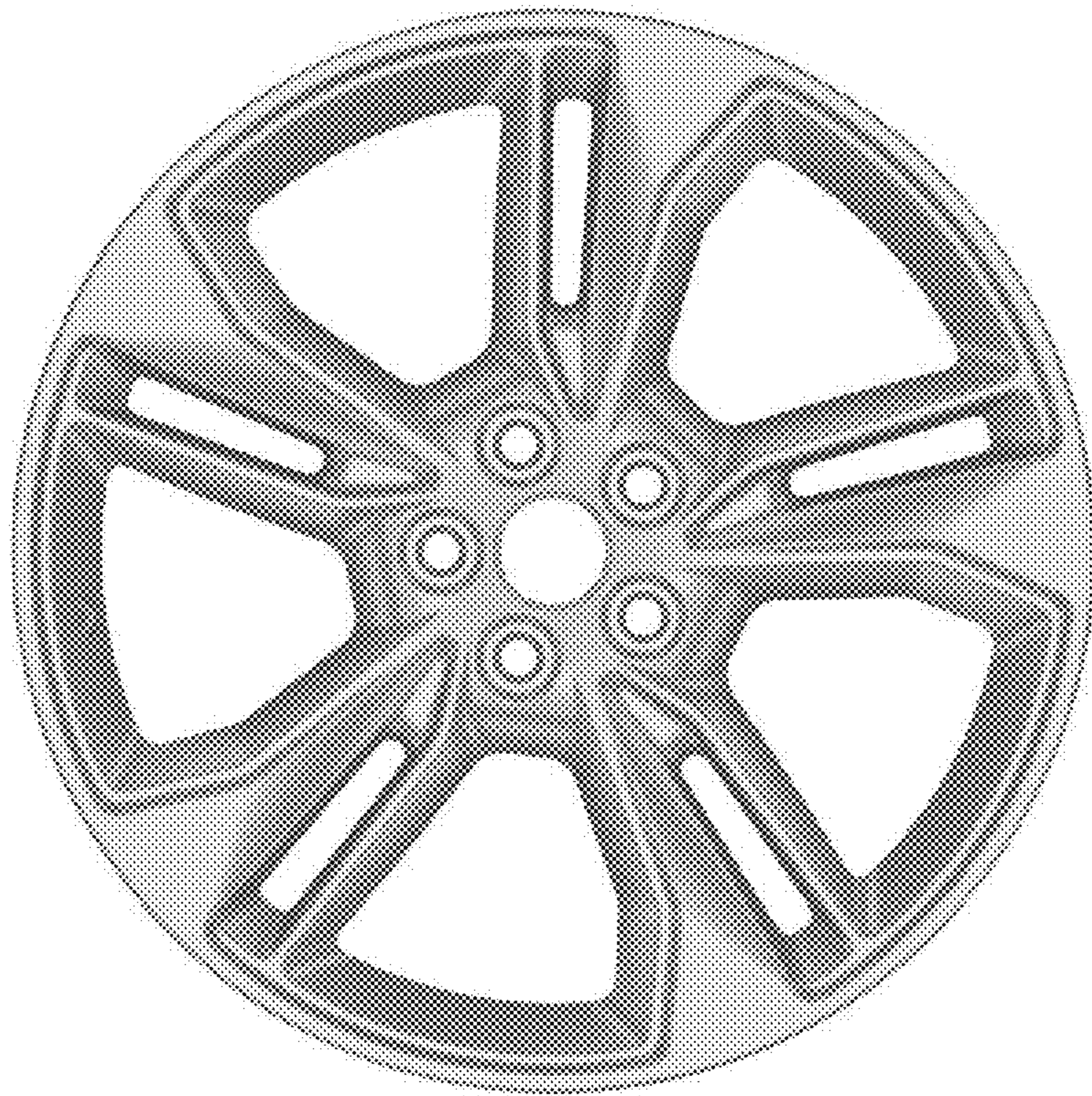


Figure 2