



US00D788001S

(12) **United States Design Patent** (10) **Patent No.:** **US D788,001 S**
Lee (45) **Date of Patent:** **** May 30, 2017**

(54) **VEHICLE DECKLID**
(71) Applicant: **GM GLOBAL TECHNOLOGY OPERATIONS LLC**, Detroit, MI (US)
(72) Inventor: **Hwasup Lee**, Rochester Hills, MI (US)
(73) Assignee: **GM Global Technology Operations LLC**, Detroit, MI (US)
(**) Term: **15 Years**

D592,577 S * 5/2009 Lamm D12/196
D596,546 S * 7/2009 Habib D12/196
D597,447 S 8/2009 Folden
D600,595 S 9/2009 Nakamura et al.
D601,925 S 10/2009 O'Donnell
D603,755 S 11/2009 Peters
D604,203 S 11/2009 O'Donnell
D605,082 S 12/2009 Munson
D605,083 S 12/2009 Manoogian, II et al.
D605,977 S 12/2009 Zipfel et al.
D605,978 S 12/2009 Wolff et al.
D608,249 S 1/2010 Peters
D608,690 S 1/2010 Folden et al.

(Continued)

(21) Appl. No.: **29/546,599**

(22) Filed: **Nov. 24, 2015**

(51) **LOC (10) Cl.** **12-16**

(52) **U.S. Cl.**
USPC **D12/196**

(58) **Field of Classification Search**
USPC D12/86, 90, 91, 92, 93, 400, 163, 164,
D12/167, 181, 184, 202, 196
CPC B62D 25/02; B62D 25/16; B62D 25/18;
B62D 25/161
See application file for complete search history.

(56) **References Cited**

U.S. PATENT DOCUMENTS

D428,376 S * 7/2000 Sacco D12/196
D440,532 S * 4/2001 Sacco D12/196
D452,468 S * 12/2001 Sacco D12/196
D459,283 S * 6/2002 Sinkwitz D12/196
D467,850 S * 12/2002 Warming D12/196
D476,936 S * 7/2003 Boyer D12/196
D495,983 S * 9/2004 Pfeiffer D12/196
D513,601 S * 1/2006 Nagashima D12/196
D514,042 S * 1/2006 Pfeiffer D12/196
D514,491 S * 2/2006 Nagashima D12/196
D527,322 S * 8/2006 Brown D12/196
D528,490 S * 9/2006 Schumaker D12/196
D570,742 S 6/2008 Takagi et al.
D571,701 S * 6/2008 Sato D12/196
D581,336 S * 11/2008 Gabath D12/196
D592,105 S 5/2009 Dean et al.

OTHER PUBLICATIONS

Camaro Decklid, Camaro6 Forum, Posted on Oct. 8, 2015 [online], [retrieved on Sep. 14, 2016], Retrieved from the internet, <URL: <http://www.camaro6.com/forums/showthread.php?t=421239&page=3> >.*

Primary Examiner — Sheryl Lane
Assistant Examiner — Suzette Murphy
(74) *Attorney, Agent, or Firm* — Reising Ethington P.C.

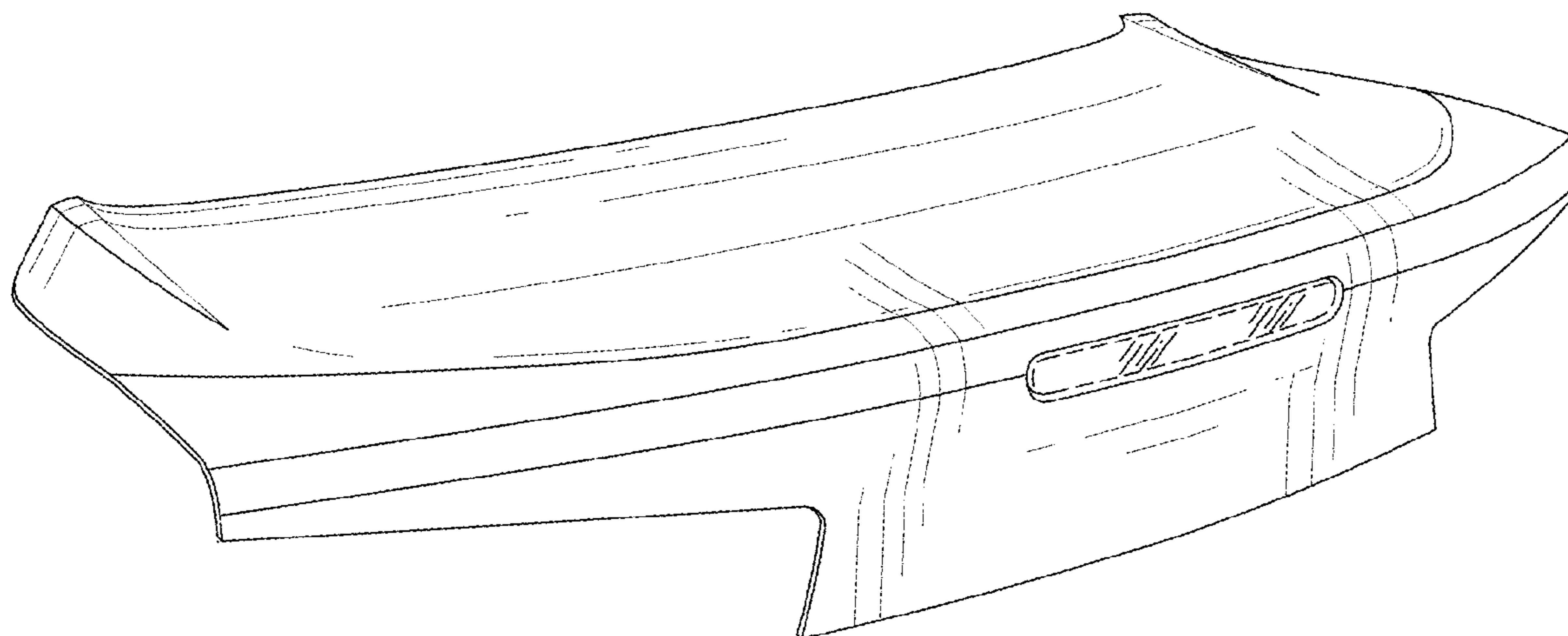
(57) **CLAIM**

The ornamental design for a vehicle decklid, as shown and described.

DESCRIPTION

FIG. 1 is a perspective view of the vehicle decklid; FIG. 2 is a front view thereof; FIG. 3 is a left side elevation view thereof (where the right side elevation view is omitted since the right side elevation view is identical to the left side elevation view); and, FIG. 4 is a top plan view thereof. The broken lines form no part of the claimed design. All surfaces surrounding the broken lines, both inside and out, form part of the claimed design.

1 Claim, 2 Drawing Sheets



(56)

References Cited

U.S. PATENT DOCUMENTS

D608,691 S 1/2010 Zak, Jr. et al.
 D609,608 S 2/2010 Boniface et al.
 D611,387 S 3/2010 Thompson et al.
 D611,879 S 3/2010 Kim et al.
 D612,297 S 3/2010 Peters et al.
 D613,645 S 4/2010 Song et al.
 D615,458 S 5/2010 Thompson et al.
 D616,798 S * 6/2010 Lamm D12/196
 D618,595 S 6/2010 Ware et al.
 D620,860 S * 8/2010 Froehlich D12/196
 D623,090 S 9/2010 Cox et al.
 D627,262 S 11/2010 Ikeda et al.
 D635,488 S 4/2011 Phipps
 D637,113 S * 5/2011 Yukawa D12/92
 D644,147 S 8/2011 Suh et al.
 D644,567 S 9/2011 Kozub
 D657,718 S 4/2012 Zipfel et al.
 D659,052 S 5/2012 Ware et al.
 D659,053 S 5/2012 Ware et al.
 D663,666 S * 7/2012 Matsumoto D12/196
 D668,182 S 10/2012 Barba Franco et al.
 D668,183 S 10/2012 Smart
 D676,793 S * 2/2013 Yamada D12/196
 D678,820 S 3/2013 Song et al.
 D678,821 S 3/2013 Ikeda et al.
 D679,643 S * 4/2013 Karras D12/196
 D680,909 S 4/2013 Munson et al.
 D680,910 S 4/2013 David
 D682,757 S * 5/2013 Song D12/196
 D683,677 S * 6/2013 Varga D12/181
 D684,514 S * 6/2013 McCabe D12/196
 D684,899 S 6/2013 Baker
 D686,127 S * 7/2013 Munson D12/196
 D686,536 S 7/2013 McCabe et al.
 D692,798 S 11/2013 Thurber
 D692,799 S 11/2013 Smith et al.
 D696,157 S 12/2013 Loeb
 D699,629 S 2/2014 Ikeda et al.
 D700,871 S 3/2014 O'Donnell et al.
 D703,103 S 4/2014 Lee
 D703,122 S * 4/2014 Futschik D12/196
 D704,103 S 5/2014 Mack et al.
 D705,132 S 5/2014 Ware et al.
 D705,699 S 5/2014 Ware et al.
 D706,181 S * 6/2014 Sakae D12/164
 D713,298 S 9/2014 Dyson
 D713,764 S 9/2014 Ferlazzo et al.
 D715,712 S * 10/2014 Thompson D12/196
 D716,696 S 11/2014 Thole et al.

D716,706 S 11/2014 Thole et al.
 D716,709 S 11/2014 Thole et al.
 D717,696 S 11/2014 Thole et al.
 D718,189 S 11/2014 Krieg et al.
 D718,683 S 12/2014 Thole et al.
 8,915,532 B2 * 12/2014 Iwano B62D 25/105
 296/146.5
 D722,282 S 2/2015 Loeb
 D722,533 S 2/2015 Thole et al.
 D722,534 S 2/2015 Munson et al.
 D722,929 S * 2/2015 Hatter D12/181
 D724,510 S 3/2015 McMahan et al.
 D725,001 S 3/2015 McMahan et al.
 D726,591 S 4/2015 Jacob
 D730,776 S 6/2015 Smart
 D730,783 S 6/2015 Henriques et al.
 D731,942 S * 6/2015 Hammoud D12/196
 D732,427 S 6/2015 Loeb
 D732,429 S 6/2015 Loeb
 D732,430 S 6/2015 Loeb
 D732,431 S 6/2015 Loeb
 D732,432 S 6/2015 Aengenheyster
 D732,433 S 6/2015 Aengenheyster
 D732,435 S 6/2015 Mackay
 D733,002 S 6/2015 Loeb
 D733,629 S * 7/2015 Rupar D12/196
 D735,611 S 8/2015 Aengenheyster
 D735,627 S 8/2015 Smith
 D736,451 S 8/2015 Smith
 D739,306 S 9/2015 McMahan et al.
 D739,317 S 9/2015 McMahan et al.
 D741,223 S 10/2015 Kim et al.
 D743,309 S 11/2015 Thole et al.
 D743,313 S 11/2015 Smith et al.
 D743,314 S 11/2015 Thole et al.
 D743,857 S 11/2015 McMahan et al.
 D743,864 S * 11/2015 Loeb D12/196
 D744,158 S 11/2015 Willett et al.
 D746,206 S * 12/2015 Duff D12/196
 D752,489 S * 3/2016 Yamamoto D12/181
 D753,567 S * 4/2016 Boniface D12/196
 D758,271 S * 6/2016 McMahan D12/196
 D762,149 S * 7/2016 Kim D12/173
 D763,743 S * 8/2016 Hatton D12/164
 D764,994 S * 8/2016 Jo D12/196
 D764,996 S * 8/2016 Lee D12/196
 2014/0298640 A1 * 10/2014 Morris B21J 15/02
 29/525.06
 2015/0076863 A1 * 3/2015 Baviskar B60R 19/18
 296/187.09

* cited by examiner

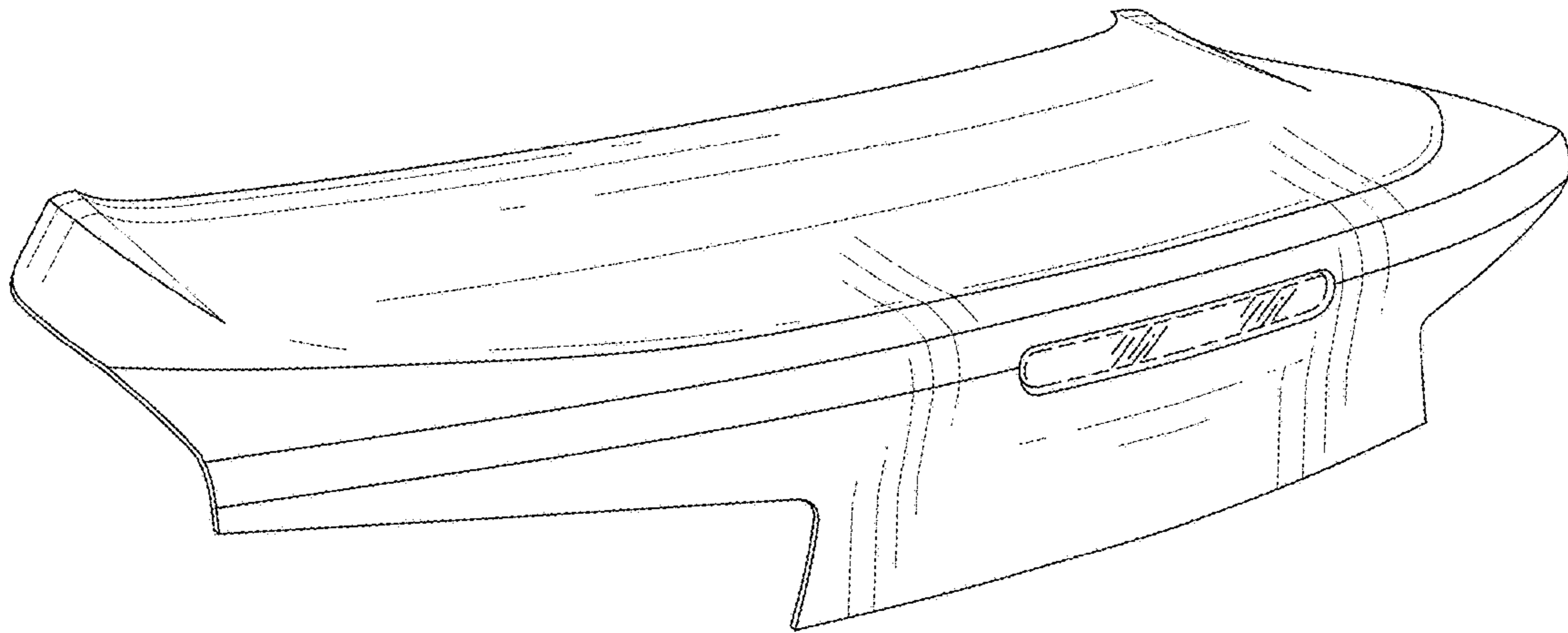


Fig. 1

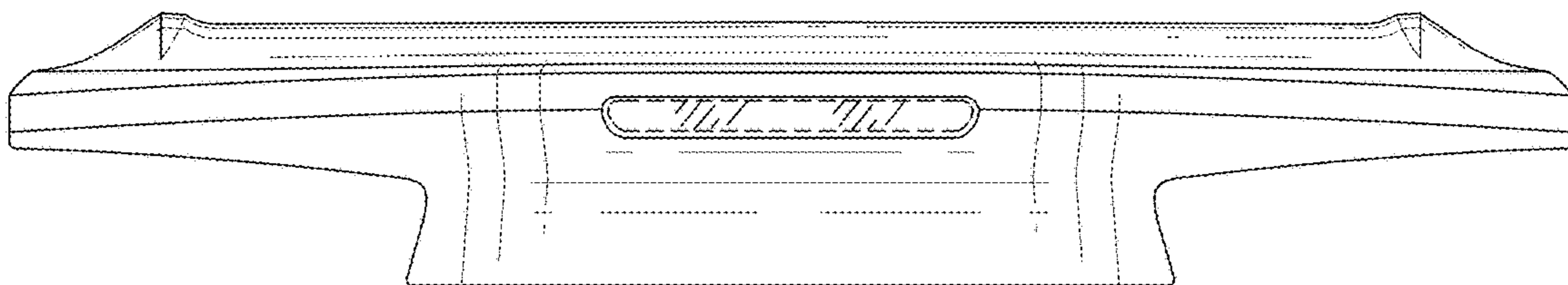


Fig. 2

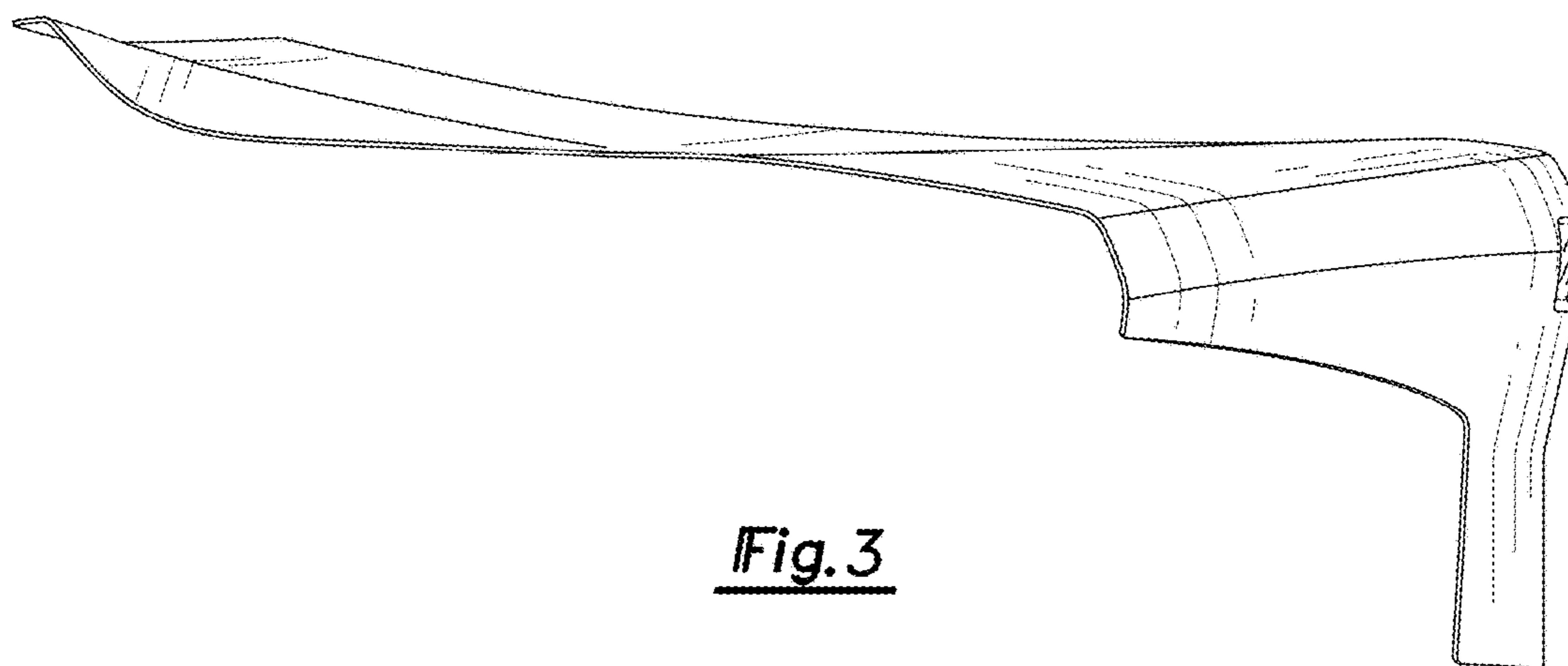


Fig. 3

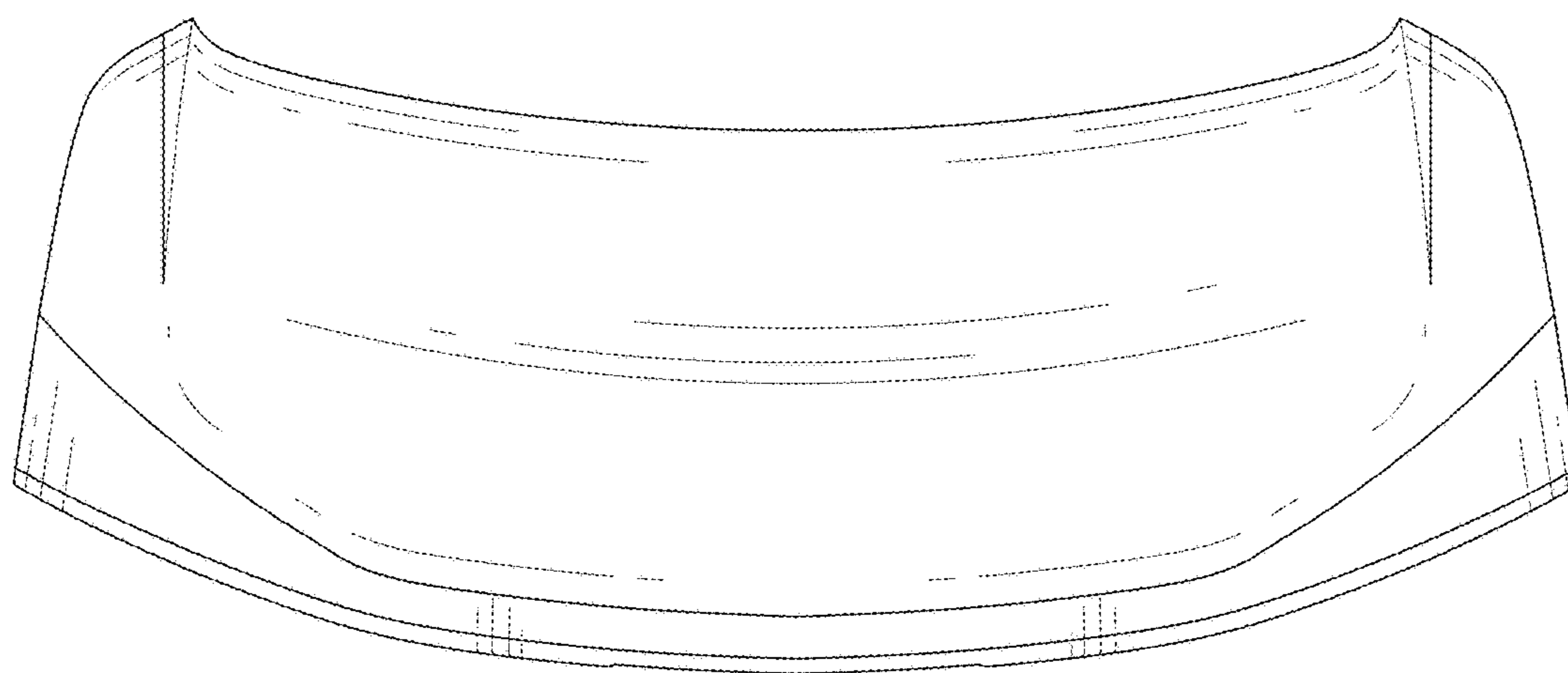


Fig. 4