



US00D787997S

(12) **United States Design Patent** (10) **Patent No.:** **US D787,997 S**  
**Baiz et al.** (45) **Date of Patent:** **\*\* May 30, 2017**

(54) **INSTRUMENT GAUGE CASE**  
 (71) Applicants: **Enrique J. Baiz**, Miramar, FL (US);  
**Oswaldo Izquierdo**, Homestead, FL (US)  
 (72) Inventors: **Enrique J. Baiz**, Miramar, FL (US);  
**Oswaldo Izquierdo**, Homestead, FL (US)

D775,034 S \* 12/2016 Cook ..... D10/102  
 D777,631 S \* 1/2017 Webb ..... D12/192  
 2016/0377208 A1 \* 12/2016 Holmes, IV ..... F16L 23/22  
 285/355  
 2017/0037904 A1 \* 2/2017 Makke ..... F16C 19/463  
 2017/0045166 A1 \* 2/2017 Doolittle ..... B67D 9/00  
 2017/0051855 A1 \* 2/2017 Munetomo ..... F16L 23/036  
 2017/0058499 A1 \* 3/2017 Walton ..... E03C 1/266  
 2017/0063063 A1 \* 3/2017 Callahan ..... H02G 3/185

\* cited by examiner

(\*\*) Term: **15 Years**  
 (21) Appl. No.: **29/567,031**

*Primary Examiner* — Katrina A Betton  
 (74) *Attorney, Agent, or Firm* — QuickPatents, LLC;  
 Kevin Prince

(22) Filed: **Jun. 3, 2016**  
 (51) **LOC (10) Cl.** ..... **12-16**  
 (52) **U.S. Cl.**  
 USPC ..... **D12/192**  
 (58) **Field of Classification Search**  
 USPC ..... D12/192, 415, 110, 114; D15/17, 28;  
 D10/46, 98, 102–103, 122–127  
 CPC ..... G08G 1/096883; G01C 21/16; G01C  
 21/3688; G01C 21/30; G01B 3/34; G01B  
 3/36  
 See application file for complete search history.

(57) **CLAIM**

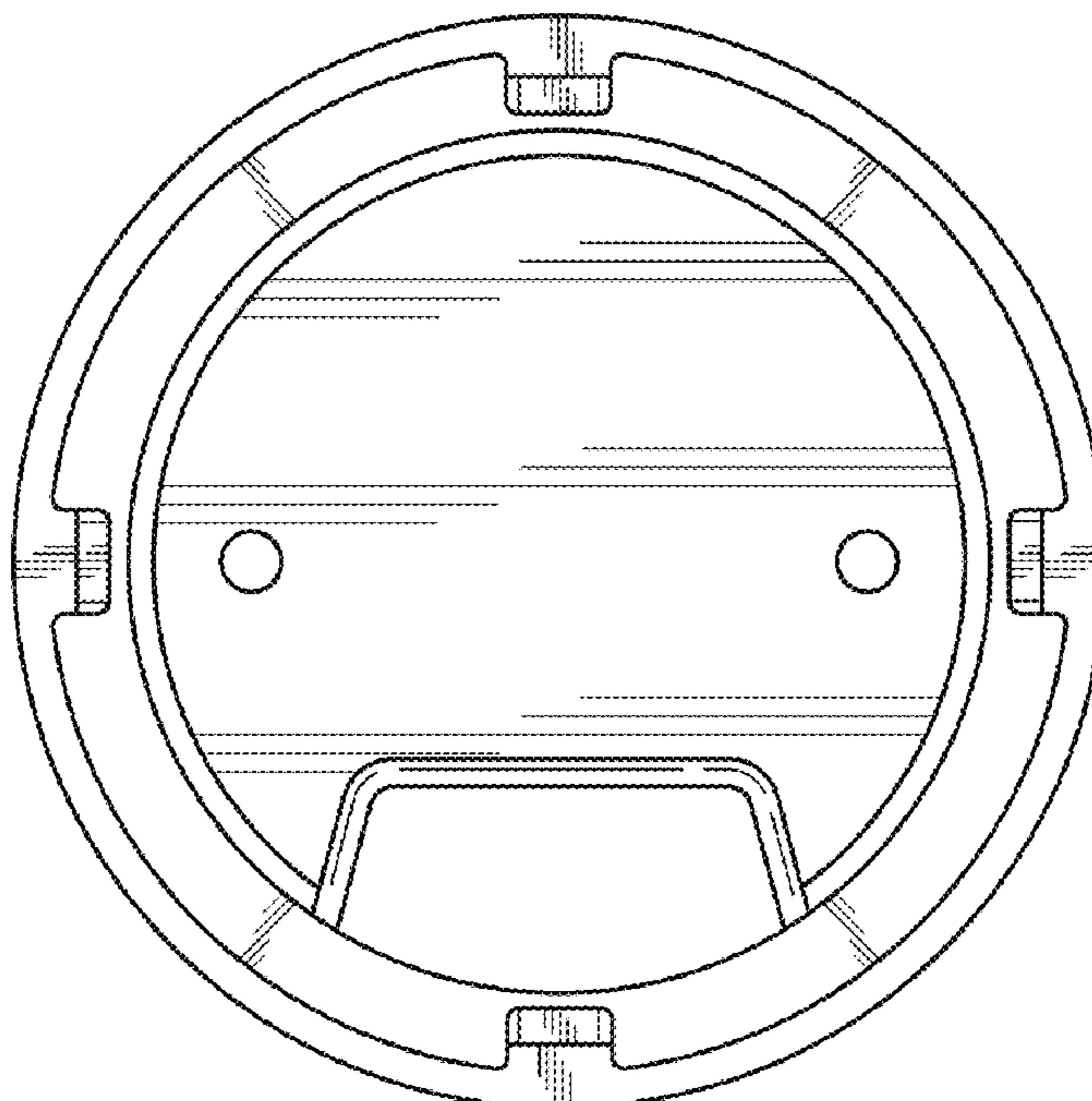
We claim the ornamental design for an instrument gauge case, as shown and described.

**DESCRIPTION**

FIG. 1 is a front perspective view of an instrument gauge case, showing our new design;  
 FIG. 2 is a front perspective view thereof;  
 FIG. 3 is a rear perspective view thereof;  
 FIG. 4 is a top elevational view thereof;  
 FIG. 5 is a bottom elevational view thereof;  
 FIG. 6 is a right-side elevational view thereof;  
 FIG. 7 is a left-side elevational view thereof;  
 FIG. 8 is a front plan view thereof; and,  
 FIG. 9 is a rear plan view thereof.  
 In the drawings, the broken lines depict portions of the article that form no part of the claimed design.

(56) **References Cited**  
 U.S. PATENT DOCUMENTS  
 3,480,301 A \* 11/1969 Kroening ..... F16L 23/18  
 277/609  
 D514,007 S \* 1/2006 Buchanan ..... D10/85  
 7,918,031 B2 \* 4/2011 Wu ..... G01B 3/48  
 33/199 R  
 D666,933 S \* 9/2012 Hoffman ..... D10/102  
 D706,661 S \* 6/2014 Boyer ..... D10/102

**1 Claim, 5 Drawing Sheets**



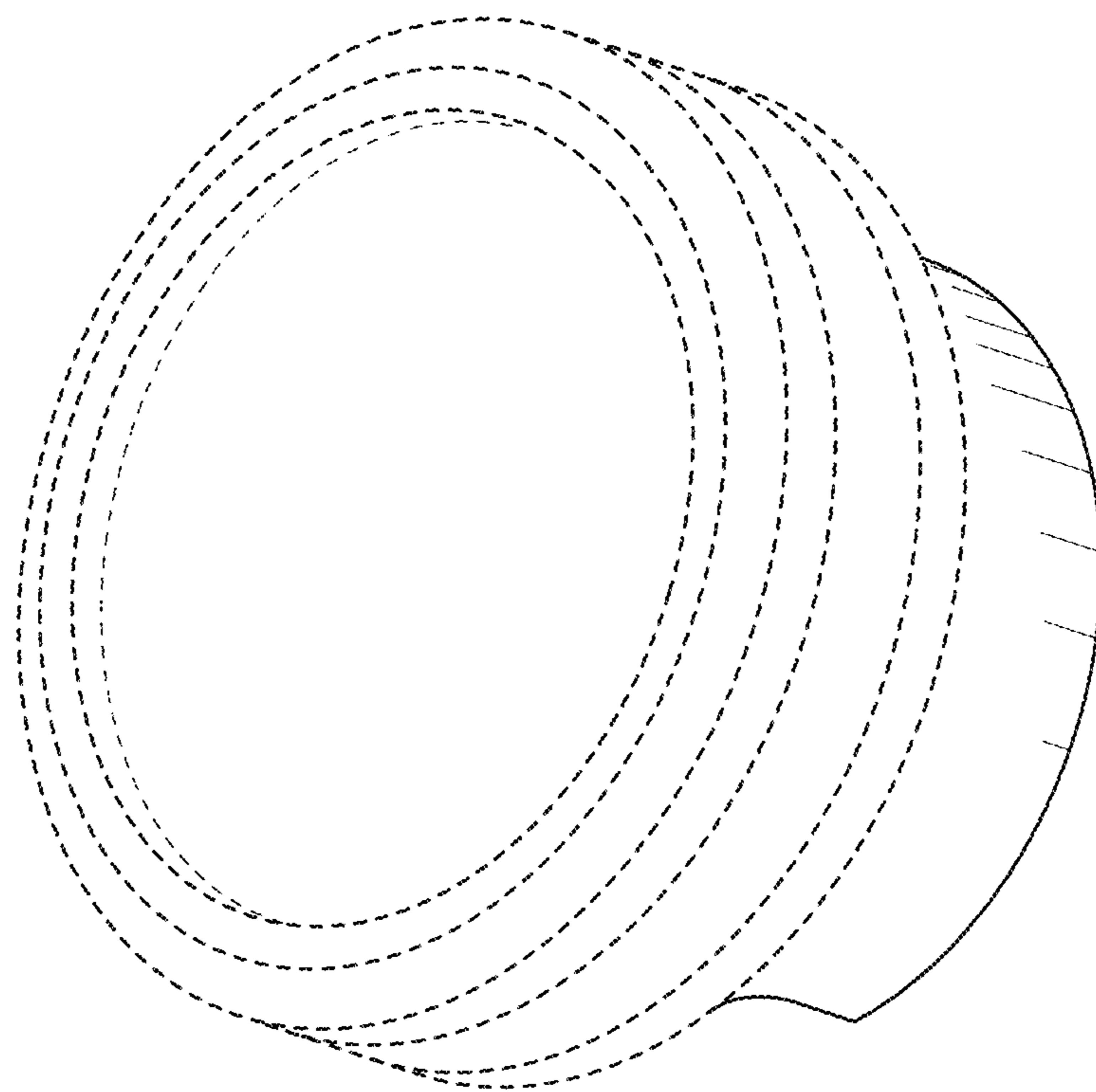


FIG. 1

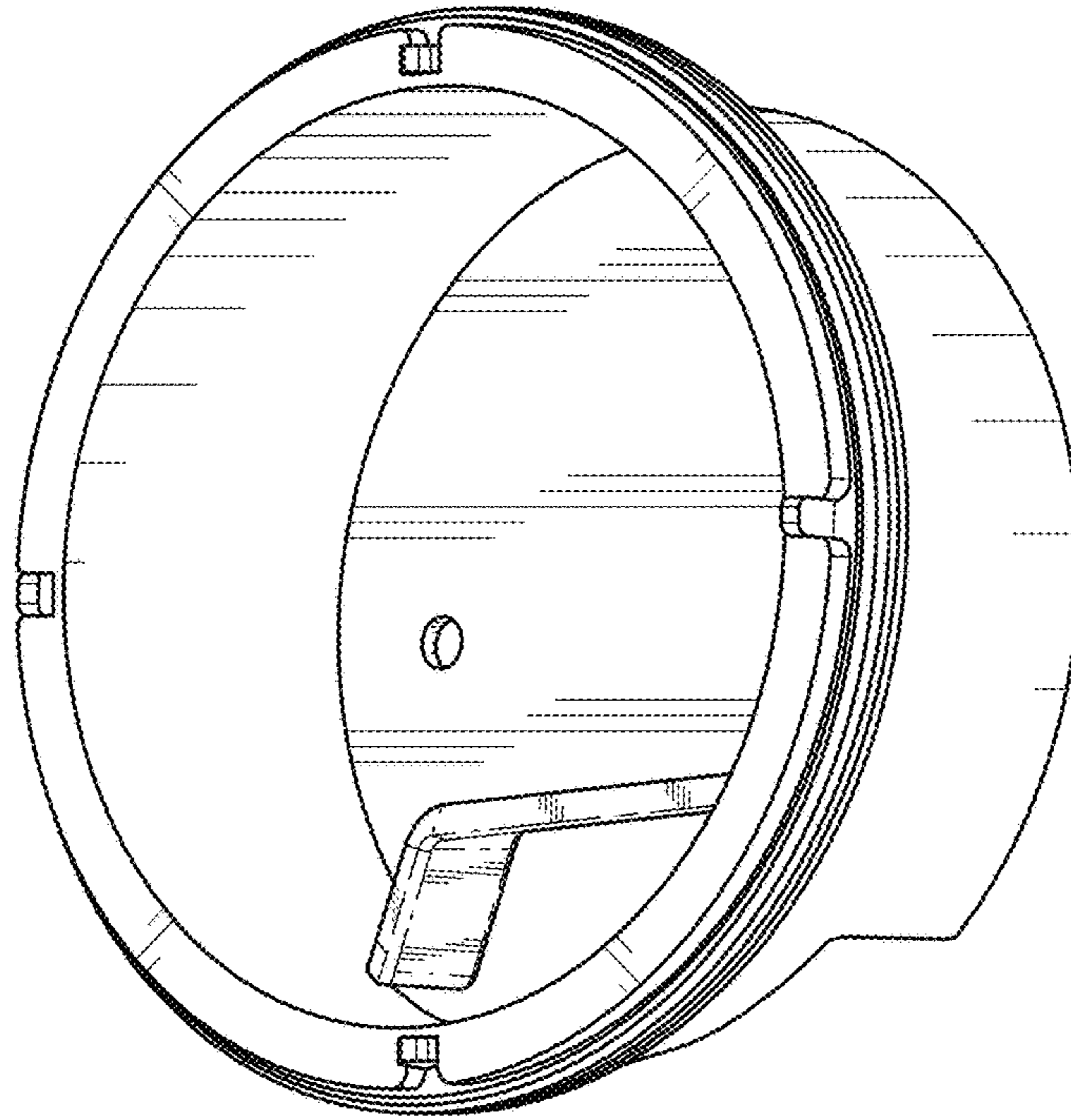


FIG. 2

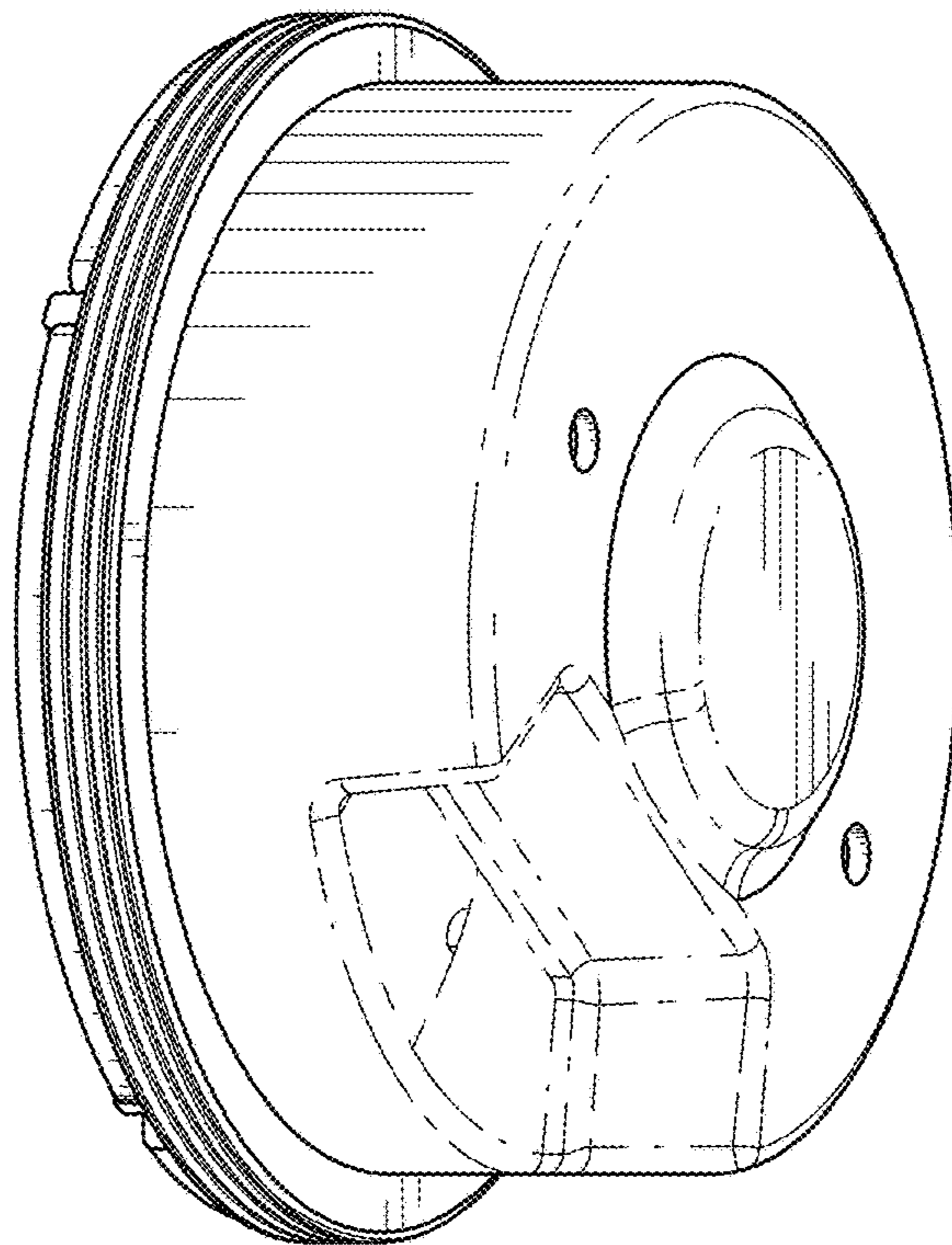


FIG. 3

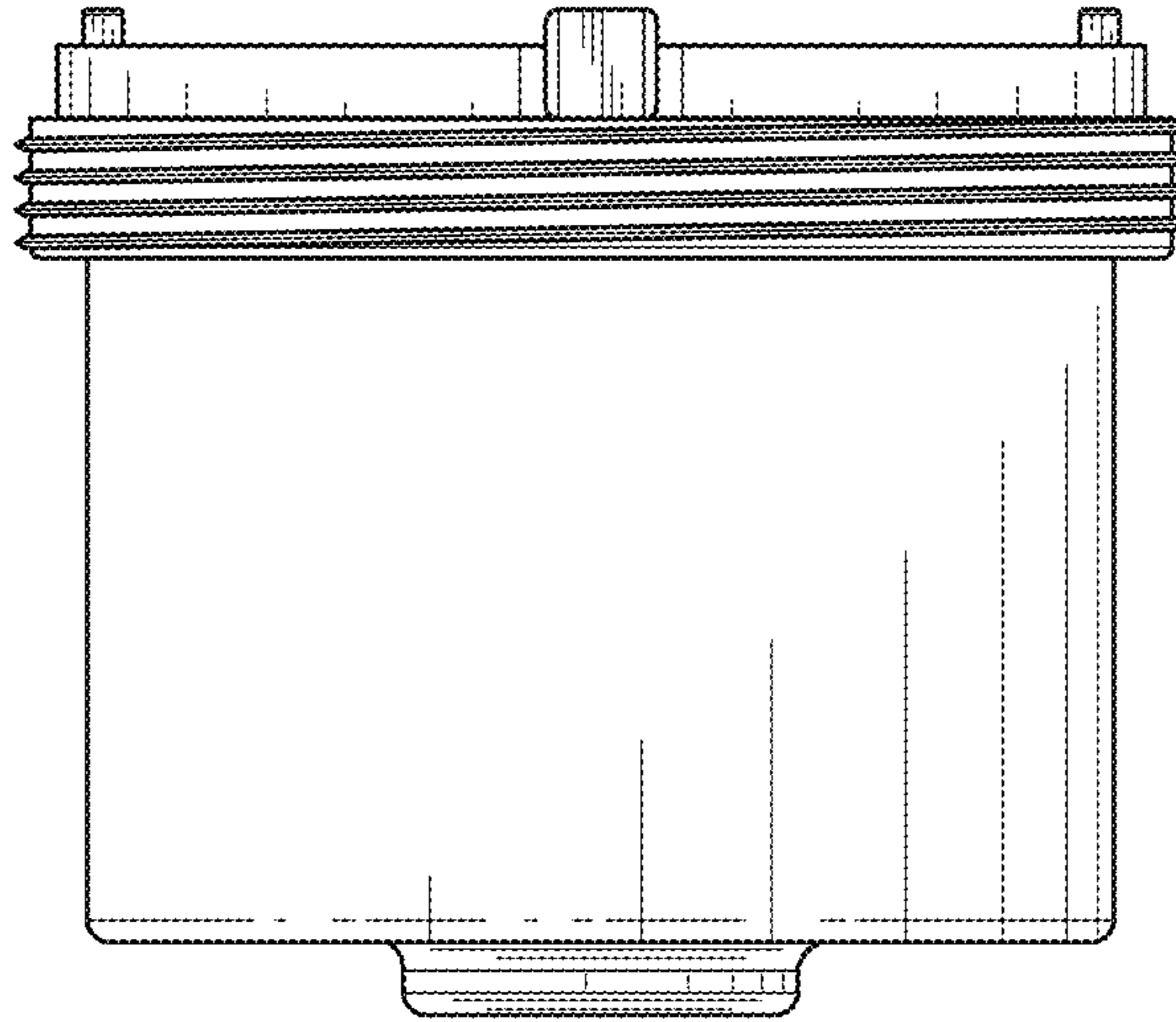


FIG. 4

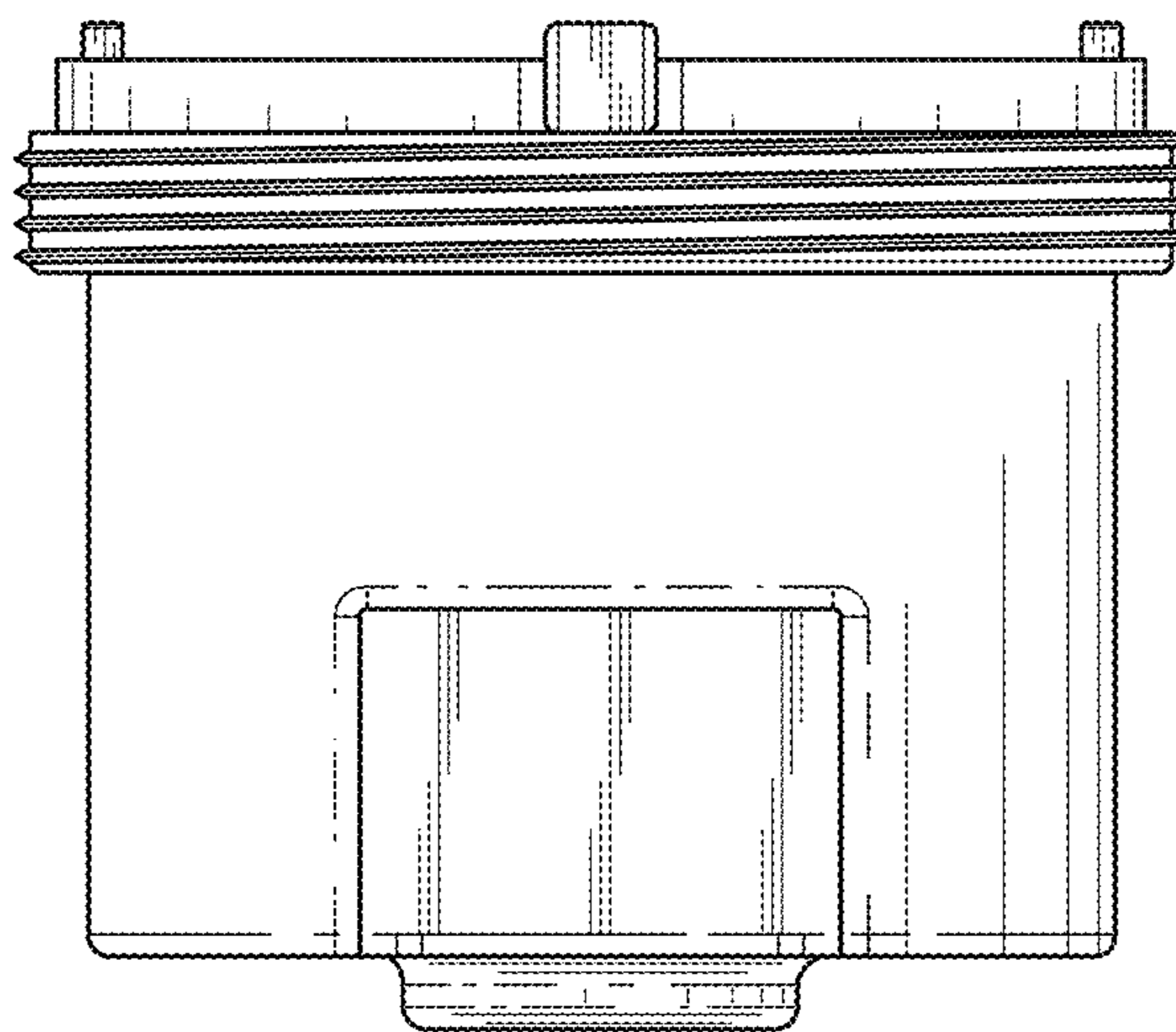


FIG. 5

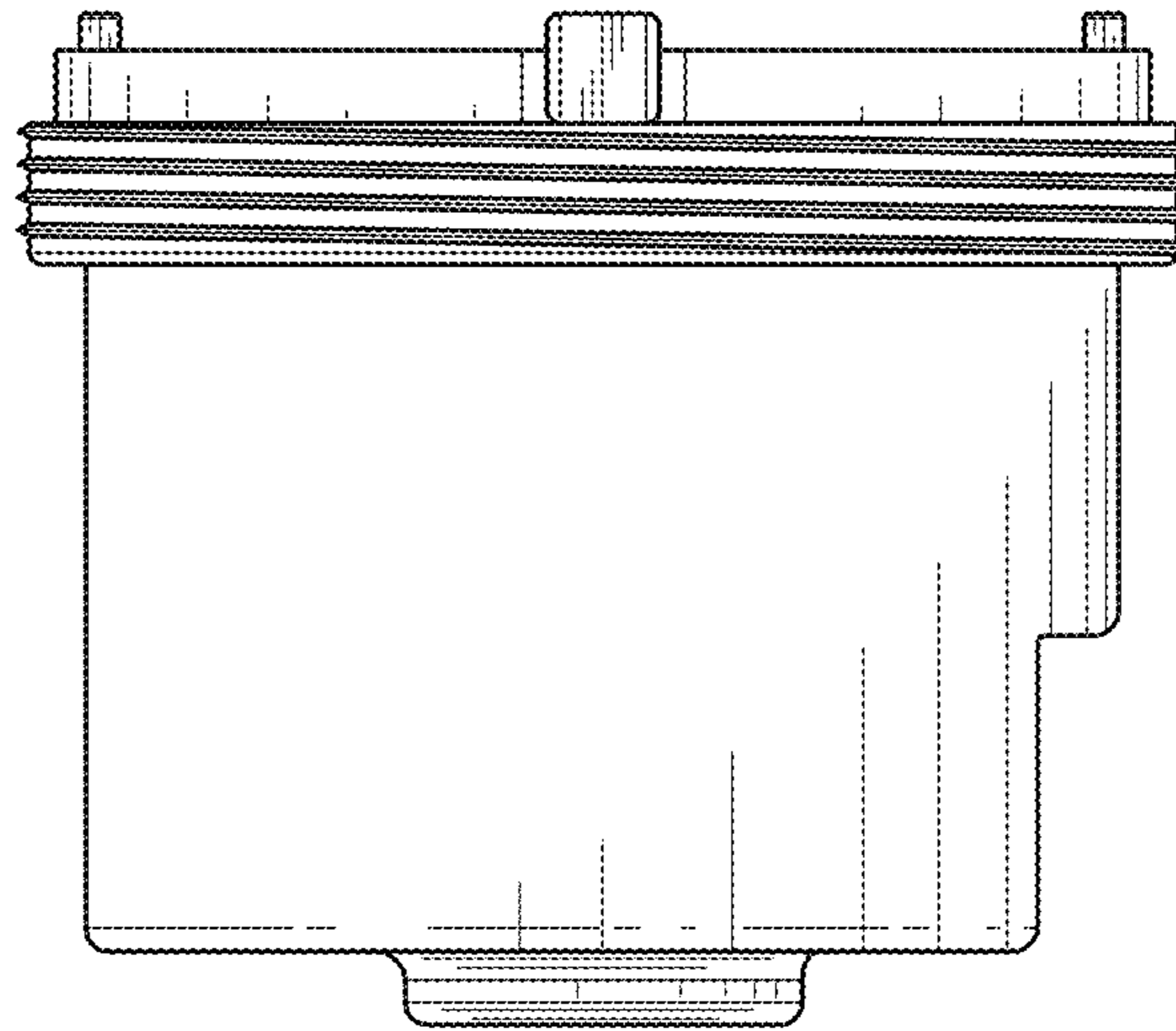


FIG. 6

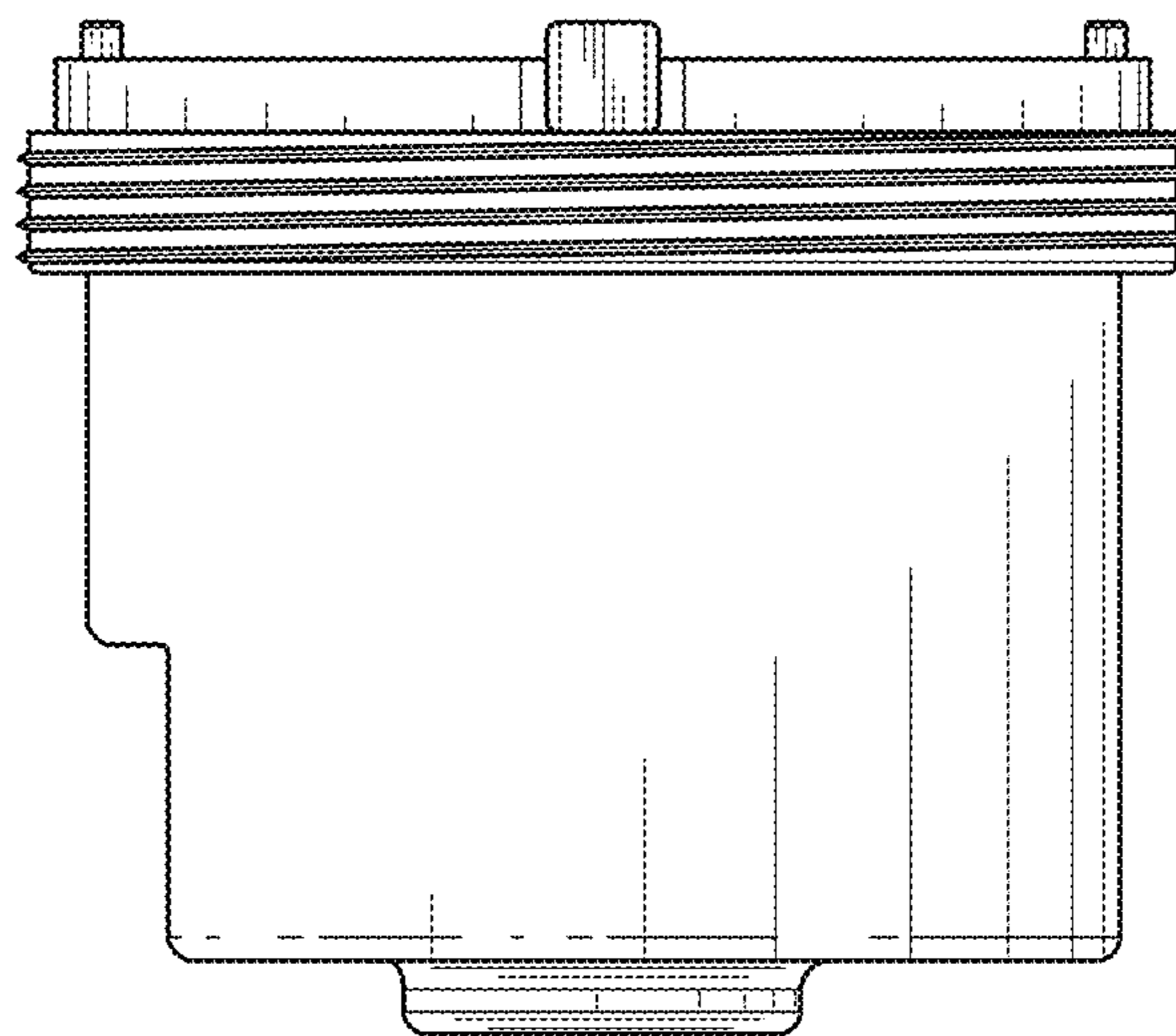


FIG. 7

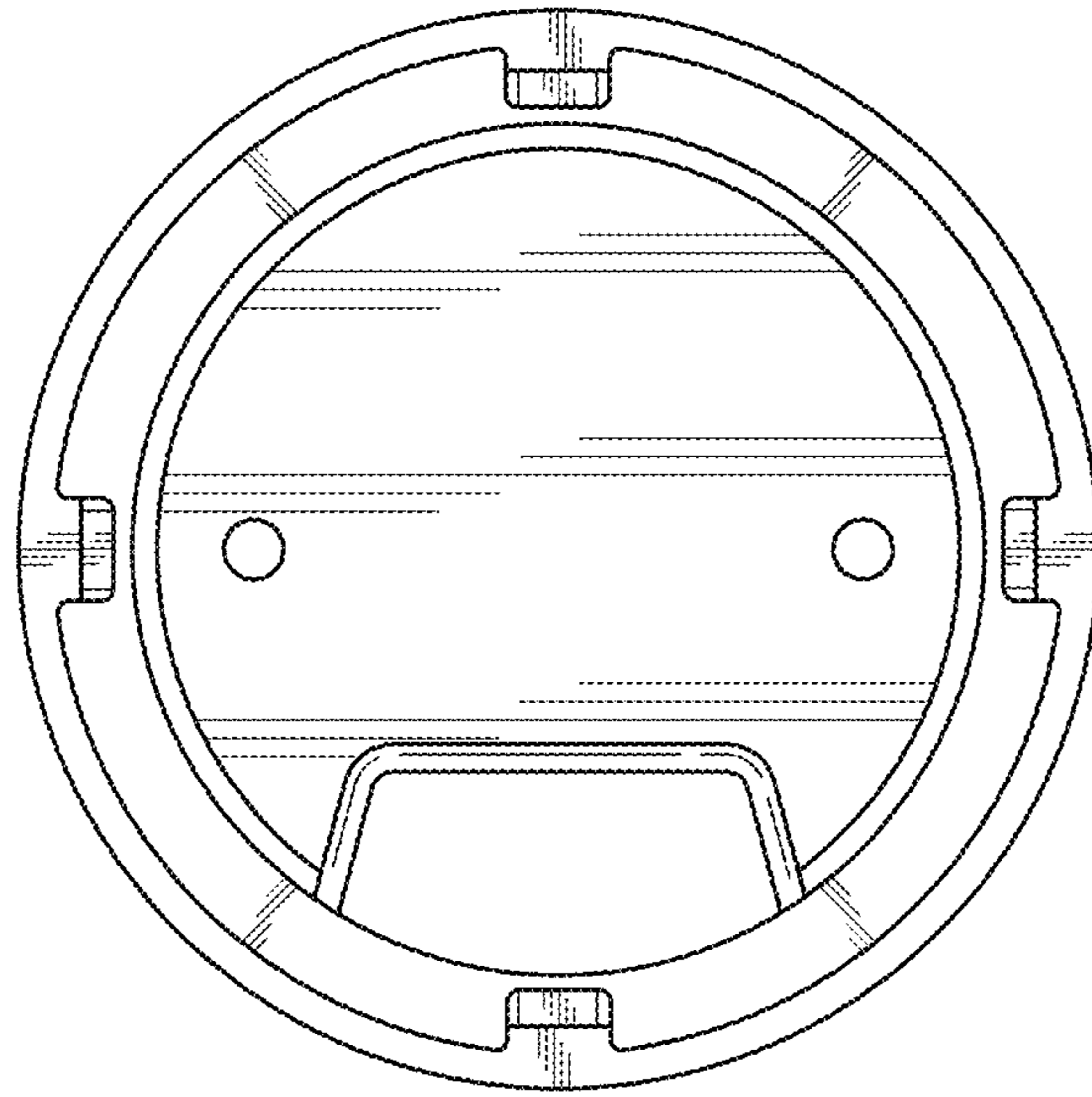


FIG. 8

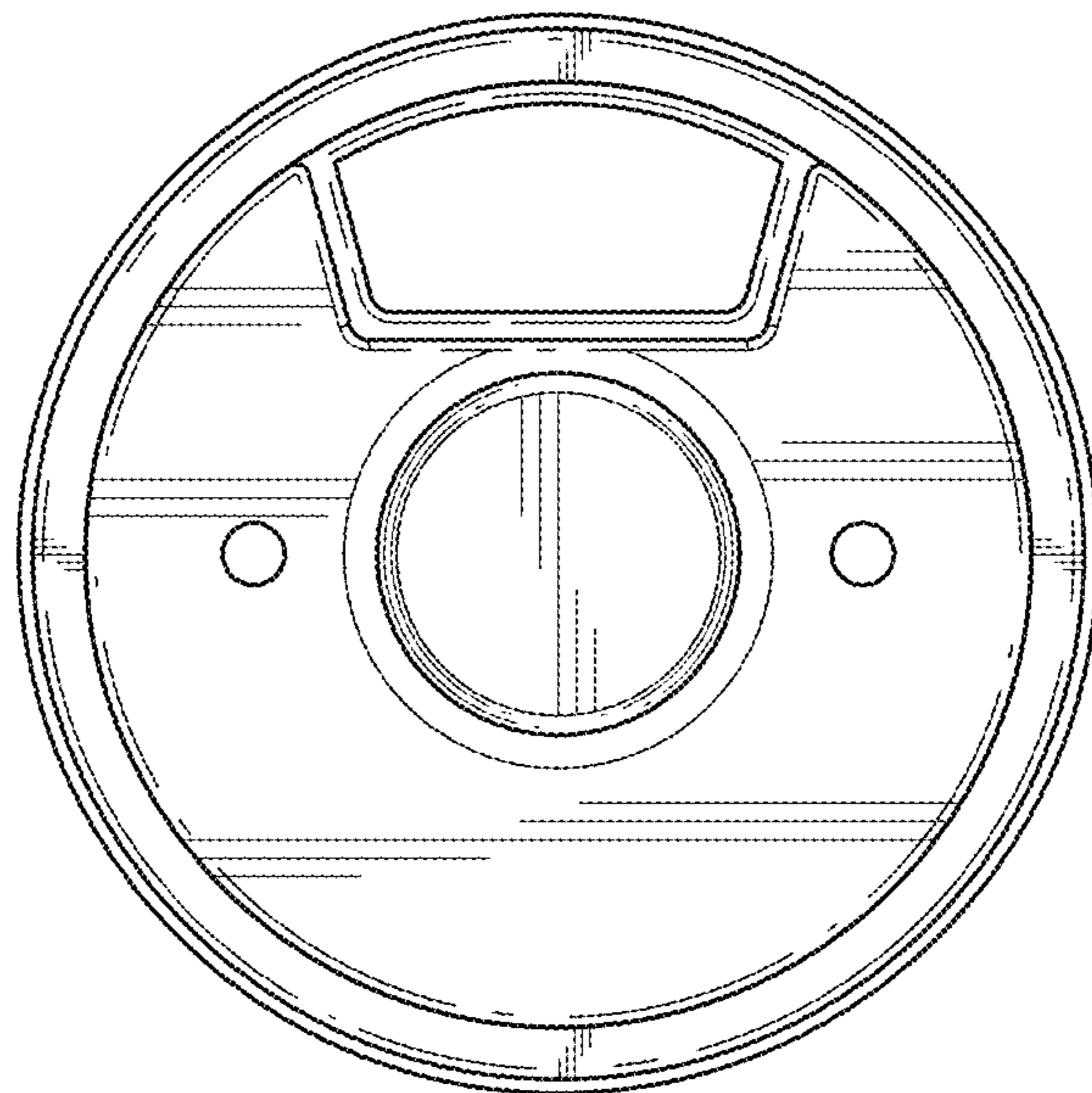


FIG. 9