



US00D787996S

(12) **United States Design Patent** (10) **Patent No.:** **US D787,996 S**
Rode et al. (45) **Date of Patent:** **** May 30, 2017**

(54) **CLUTCH COVER**

F16D 65/095; F16D 65/097; F16D 65/18;
F16D 65/38; F16D 65/847; B32B 3/06
See application file for complete search history.

(71) Applicant: **Eaton Corporation**, Cleveland, OH
(US)

(56) **References Cited**

(72) Inventors: **Derek N. Rode**, Fort Wayne, IN (US);
Benjamin A. Karrer, Galesburg, MI
(US); **Alexander W. Jessee**, Fort
Wayne, IN (US)

U.S. PATENT DOCUMENTS

1,647,294 A 11/1927 Hunyady
1,921,028 A * 8/1933 Glaseock B60T 11/00
188/205 R

2,418,719 A 8/1947 Mann
(Continued)

(73) Assignee: **Eaton Corporation**, Cleveland, OH
(US)

OTHER PUBLICATIONS

Clutch Cover for Polaris P-85, image post date 2014, site visited
Dec. 25, 2016, (online), <<http://happyfacepp.com/polaris-pro-clutch-cover/>>.*

(Continued)

(**) Term: **15 Years**

Primary Examiner — Kevin Rudzinski

Assistant Examiner — Sean D Lough

(21) Appl. No.: **29/562,980**

(74) *Attorney, Agent, or Firm* — Mei & Mark LLP

(22) Filed: **Apr. 29, 2016**

(51) **LOC (10) Cl.** **12-16**

(57) **CLAIM**

(52) **U.S. Cl.**

The ornamental design for a clutch cover, as shown and
described.

USPC **D12/180**

(58) **Field of Classification Search**

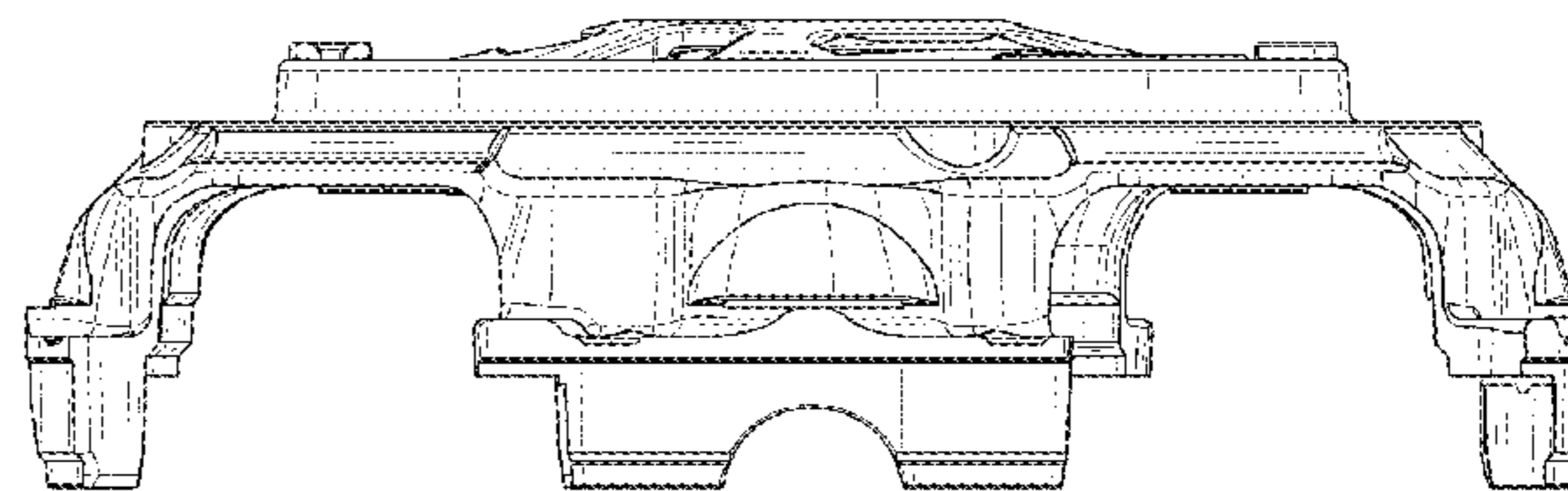
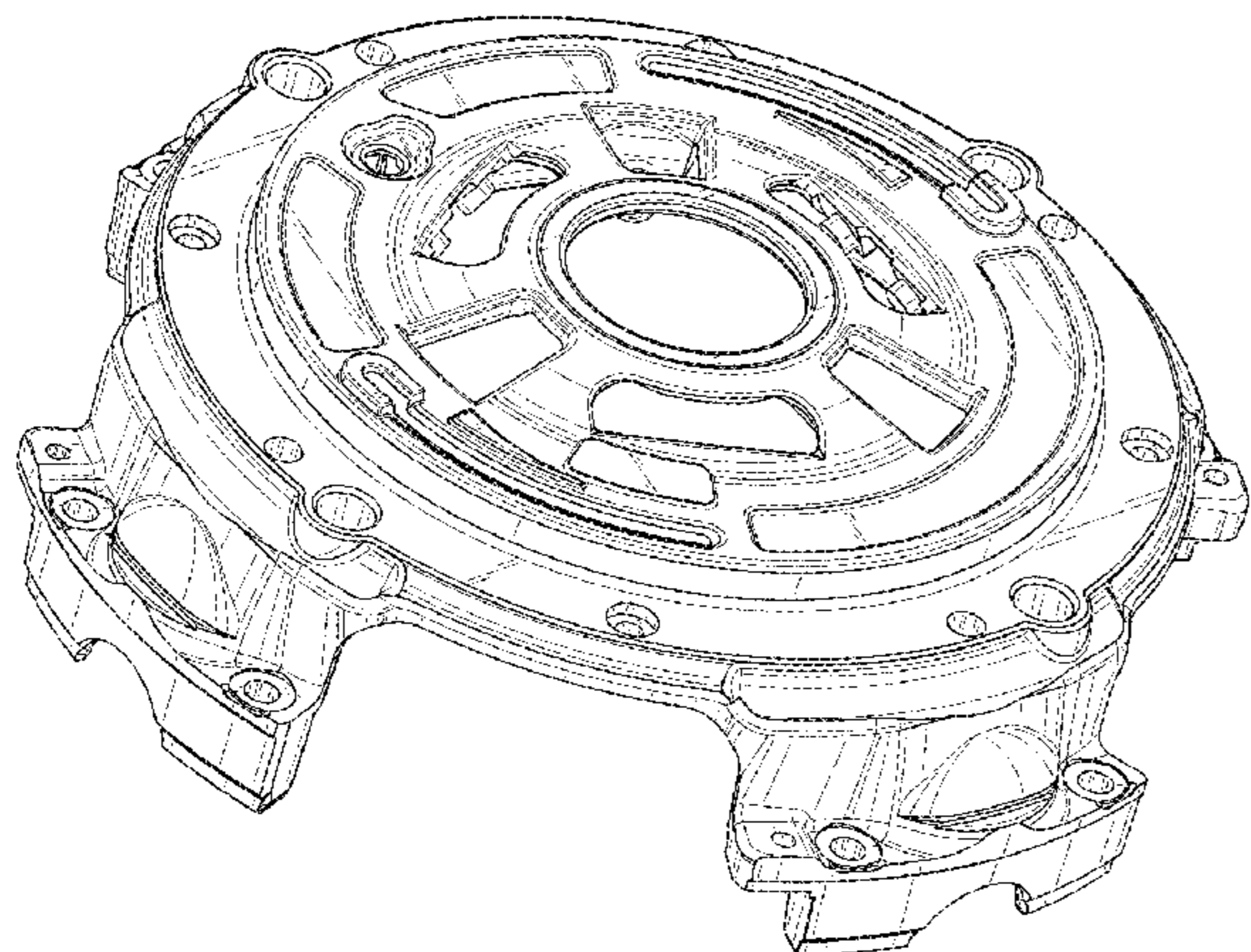
DESCRIPTION

USPC D12/14, 106, 114, 118, 122, 161, 162,
D12/179, 180, 207, 217, 400

CPC ... B60T 1/06; B60T 7/00; B60T 8/265; B60T
11/00; B60T 11/103; B60T 13/00; B60T
13/66; B60T 17/223; B60T 83/255; B60T
2201/00; B60T 2201/03; B60T 2260/00;
B60T 2270/00; B60T 2270/82; B60T
2270/83; B60T 2270/84; B62K 23/06;
B62L 1/02; B62L 3/02; B62D 13/025;
B62D 21/18; B62D 53/045; B62D 63/04;
B62D 65/02; B62D 65/18; F16D 55/00;
F16D 55/226; F16D 65/00; F16D 65/092;

FIG. 1 is a perspective view of a clutch cover.
FIG. 2 is a back side view of the clutch cover.
FIG. 3 is a front side view of the clutch cover.
FIG. 4 is a right side view of the clutch cover.
FIG. 5 is a left side view of the clutch cover.
FIG. 6 is a top view of the clutch cover.
FIG. 7 is a bottom view of the clutch cover.
FIG. 8 is a perspective view of an alternative clutch cover.
FIG. 9 is a back side view of the alternative clutch cover.
FIG. 10 is a front side view of the alternative clutch cover.
FIG. 11 is a right side view of the alternative clutch cover.
FIG. 12 is a left side view of the alternative clutch cover.
FIG. 13 is a top view of the alternative clutch cover; and,
FIG. 14 is a bottom view of the alternative clutch cover.

(Continued)



The broken lines shown in FIGS. 8-13 are for the purpose of illustrating portions of the clutch cover that form no part of the claimed design.

1 Claim, 10 Drawing Sheets

(56)

References Cited

U.S. PATENT DOCUMENTS

2,541,031 A * 2/1951 Butler F16D 55/32
188/18 A
2,820,928 A * 1/1958 Le Tourneau F16D 55/00
188/163
3,261,431 A 7/1966 Kershner et al.
3,298,468 A * 1/1967 Buyze B60T 1/065
188/73.39
3,366,202 A 1/1968 James
3,393,776 A 7/1968 Ludwig
3,721,322 A 3/1973 Thompson
3,752,286 A * 8/1973 Sink F16D 13/48
188/196 F
4,030,575 A * 6/1977 Moring B60T 1/062
188/151 A
4,054,193 A * 10/1977 Streeter F16D 35/023
192/58.683
4,445,600 A * 5/1984 Schmidt F16D 13/755
188/79.62
D292,200 S * 10/1987 Carmichael D12/207
4,953,517 A * 9/1990 McGovern F02B 33/38
123/559.1
5,009,629 A * 4/1991 Tagawa B62M 25/04
280/238
D333,647 S * 3/1993 Carmichael D12/207
5,238,093 A * 8/1993 Campbell F16D 13/48
188/1.11 R
5,240,457 A * 8/1993 Leichliter F16H 45/02
192/208
D352,020 S 11/1994 Powers
5,429,216 A 7/1995 Kahr
5,487,452 A 1/1996 Moinard et al.
5,531,308 A 7/1996 Gochenour
5,632,362 A * 5/1997 Leitner B62L 1/00
188/18 A
D380,804 S * 7/1997 Gulla D12/207
5,772,286 A 6/1998 Jordan
D398,691 S * 9/1998 Bromley D12/207
5,908,100 A * 6/1999 Szadkowski F16D 13/385
192/214.1
5,911,425 A * 6/1999 Hofmann B60G 7/008
188/18 A
5,957,002 A * 9/1999 Ueng B62K 23/06
74/142
6,062,349 A * 5/2000 Boisseau F16D 55/22655
188/370
6,206,158 B1 * 3/2001 Muller F16D 13/58
116/208
6,244,414 B1 * 6/2001 Killian F16D 13/64
192/107 M
D445,072 S * 7/2001 McCoy D12/162
6,360,864 B1 * 3/2002 Thomas F16D 13/64
192/107 R
6,491,139 B1 * 12/2002 Budica F16D 55/22
188/264 D
6,698,564 B2 * 3/2004 Kummer F16D 43/10
192/105 C
6,797,094 B2 9/2004 Pacchiana et al.
D504,377 S * 4/2005 Caudill D12/207
7,159,698 B2 1/2007 Banks et al.
7,361,116 B2 * 4/2008 Kyle F16H 48/08
475/232

7,395,903 B2 * 7/2008 Takahashi F16D 65/18
188/335
D607,796 S 1/2010 Schmitz et al.
7,731,048 B2 * 6/2010 Teixeira
Alvares B65D 21/0219
215/255
D624,472 S 9/2010 Schmitz et al.
D632,944 S * 2/2011 Kang D8/312
D647,015 S 10/2011 Henning
D649,920 S * 12/2011 Jessie, Jr. D12/209
D656,960 S * 4/2012 Kandell D15/5
8,269,130 B2 * 9/2012 Mangan H01H 33/66261
218/120
D675,649 S * 2/2013 Sands D12/114
8,474,588 B2 * 7/2013 Franke F16D 13/44
192/110 B
D721,315 S * 1/2015 Delavy D12/207
9,062,725 B2 * 6/2015 Morris F16D 55/226
D736,129 S * 8/2015 Fretz D12/207
D739,795 S * 9/2015 Juskowich D12/133
D740,719 S * 10/2015 Schanz D12/114
9,206,866 B2 * 12/2015 Giese F16D 65/092
D749,401 S * 2/2016 Duvekot D8/367
D755,622 S * 5/2016 Rodenhouse D8/399
9,328,784 B2 * 5/2016 Badino F16D 65/0062
9,400,044 B2 * 7/2016 Wadhva F16H 48/08
D762,521 S * 8/2016 Gotlund D12/47
D767,658 S * 9/2016 Creager D15/148
9,455,104 B1 * 9/2016 Leusenkamp ... H01H 33/66261
D772,218 S * 11/2016 Alesi D14/253
2004/0118645 A1 * 6/2004 Killian F16D 69/04
188/218 XL
2005/0183909 A1 8/2005 Rau
2007/0093300 A1 * 4/2007 Kayamoto F16F 1/44
464/85
2009/0045025 A1 * 2/2009 Bassett F16F 15/12313
192/70.17
2009/0098963 A1 * 4/2009 Watarai B62K 23/06
474/80
2010/0071499 A1 * 3/2010 Weiss B62K 23/06
74/502.2
2013/0056314 A1 * 3/2013 Diaz De Cerio Garcia De
Mendoza F03D 7/0248
188/71.1
2013/0105252 A1 * 5/2013 Pahle F16D 65/0031
188/71.1
2013/0133998 A1 5/2013 Maronati et al.
2013/0146409 A1 * 6/2013 Boyle F16D 55/227
188/361
2013/0213761 A1 * 8/2013 Franke F16F 15/1206
192/30 V
2013/0327602 A1 12/2013 Barber et al.

OTHER PUBLICATIONS

Fordson Dexta Major Super Major Clutch Cover 11, image post date 1952 to 1958, site visited Dec. 25, 2016, (online), <<http://www.silverfoxtractorspares.com/fordson-dexta-major-super-major-clutch-cover-11-17702-p.asp>>.*
Hino Dutro 300 Clutch Cover, image post date Sep. 7, 2008, site visited Dec. 25, 2016, (online), <<http://www.lelong.com.my/hino-dutro-300-xzu413-xzu423-clutch-cover-31210-e0010-genuine-senhuiauto-167361401-2017-09-Sale-P.htm>>.*
Lokenath Patterns & Castings Private Limited Clutch Cover, image post date Aug. 17, 2011, site visited Dec. 25, 2016, (online), <<http://web.archive.org/web/20110817052432/http://dir.indiamart.com/impcat/clutch-cover.html>>.*
Eaton-Clutch-Cover-Supporting-Disc-Heavy-Duty, image post date Feb. 11, 2016, site visited Dec. 25, 2016, (online), <<https://www.tineye.com/search/46cbfe864c431d5e83da59b4bcba0a0b62757b9f/>>.*

* cited by examiner

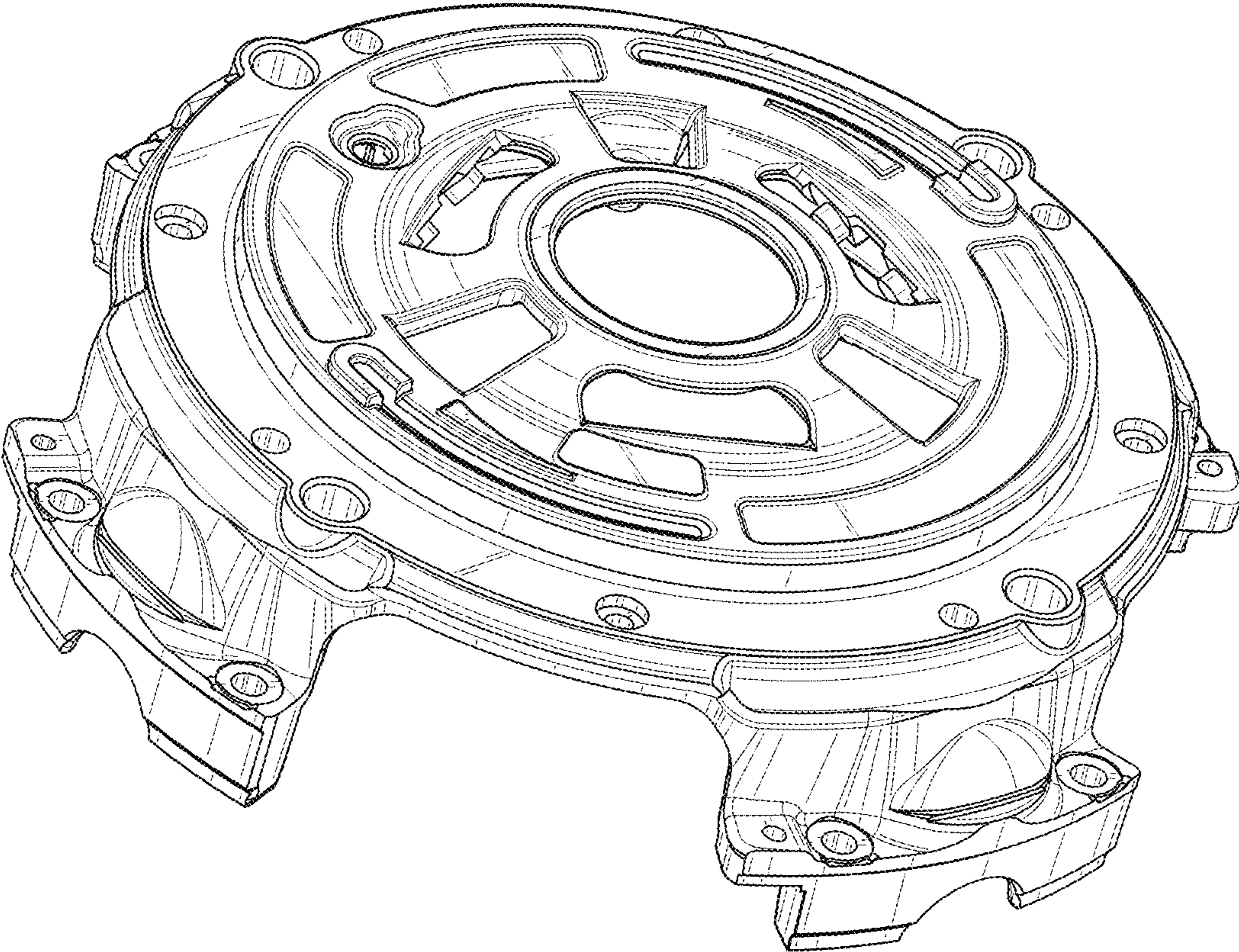


FIG. 1

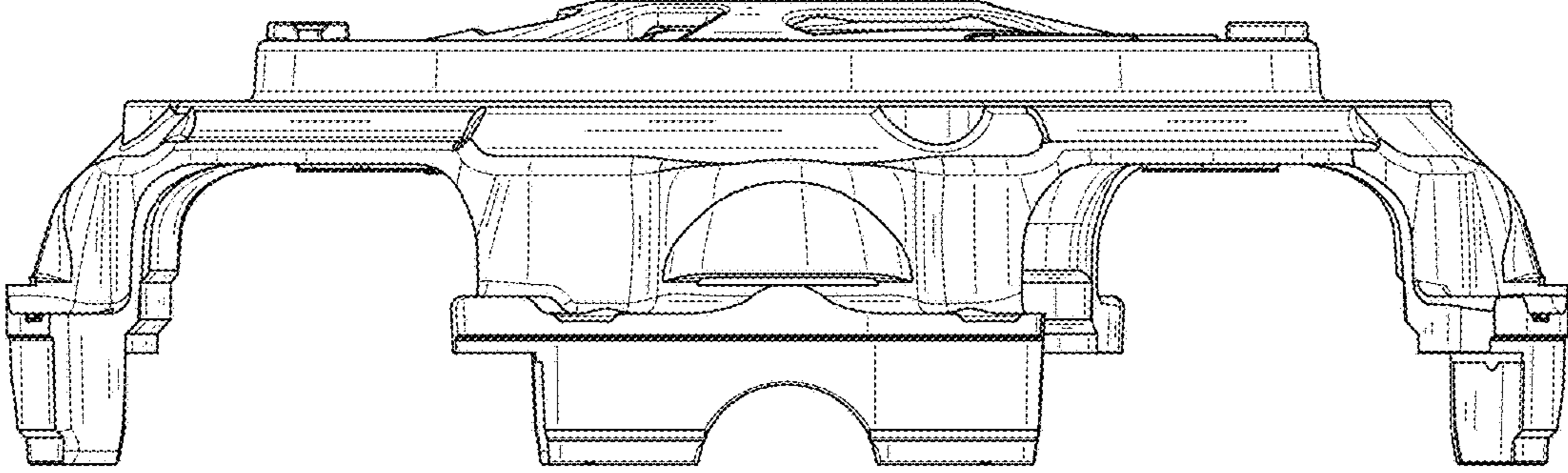


FIG. 2

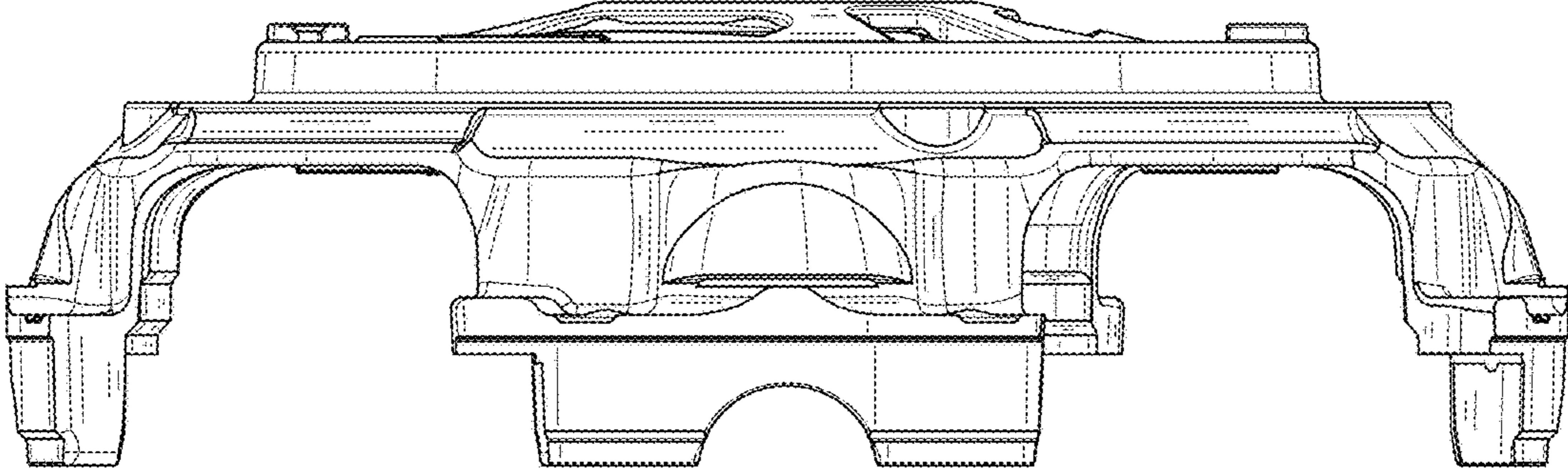


FIG. 3

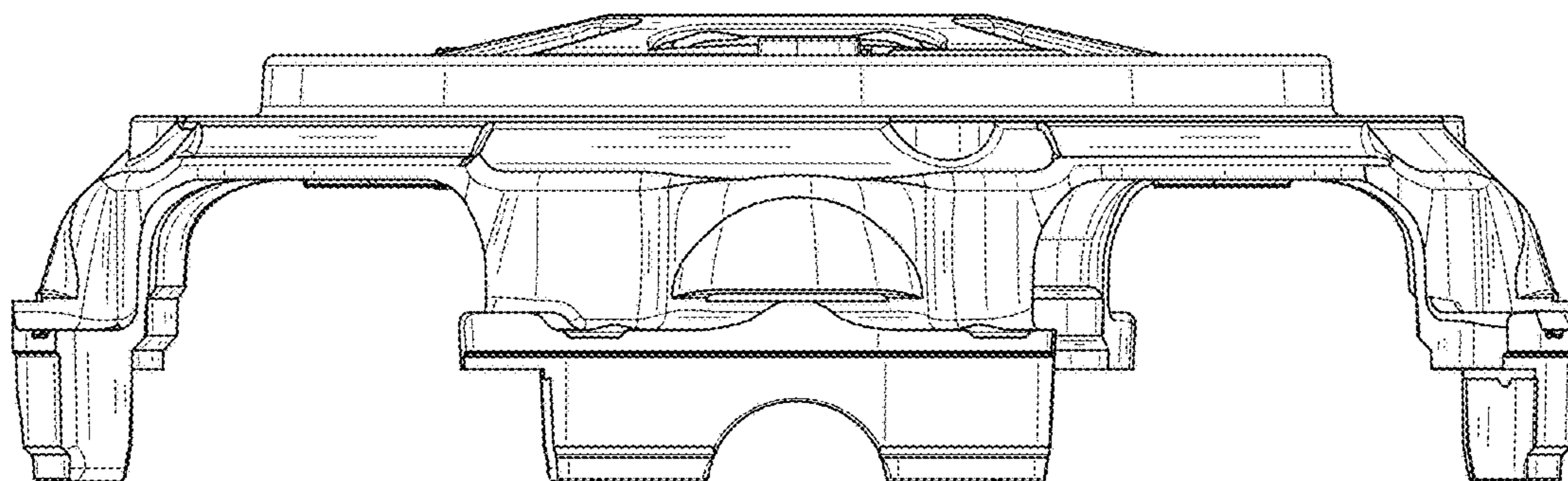


FIG. 4

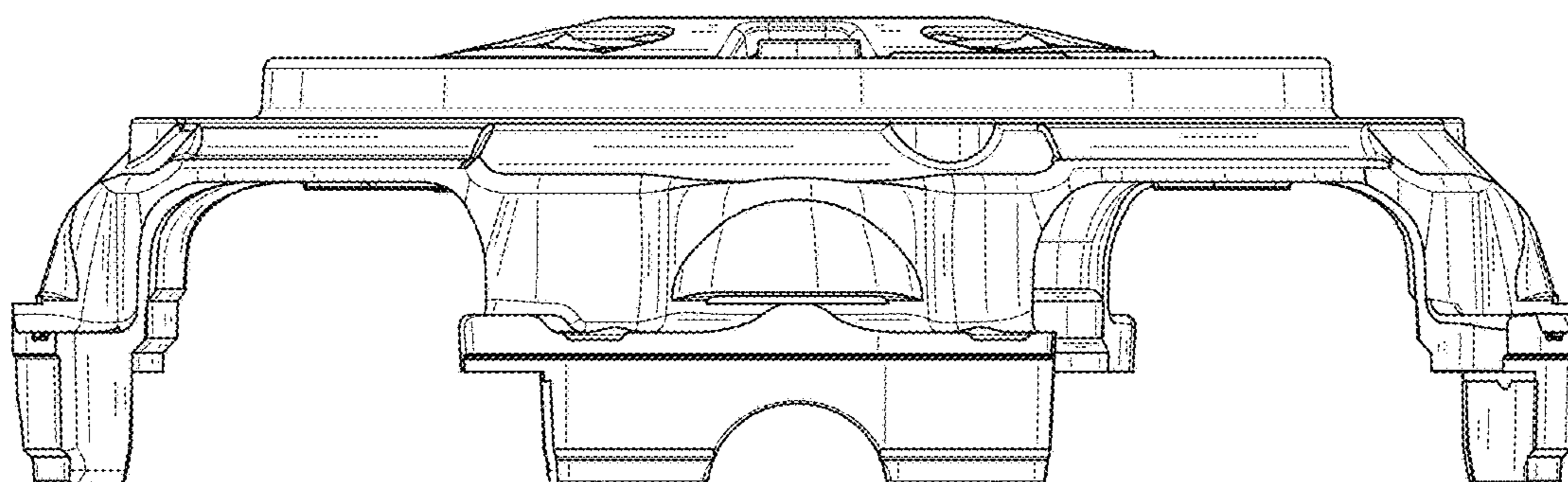


FIG. 5

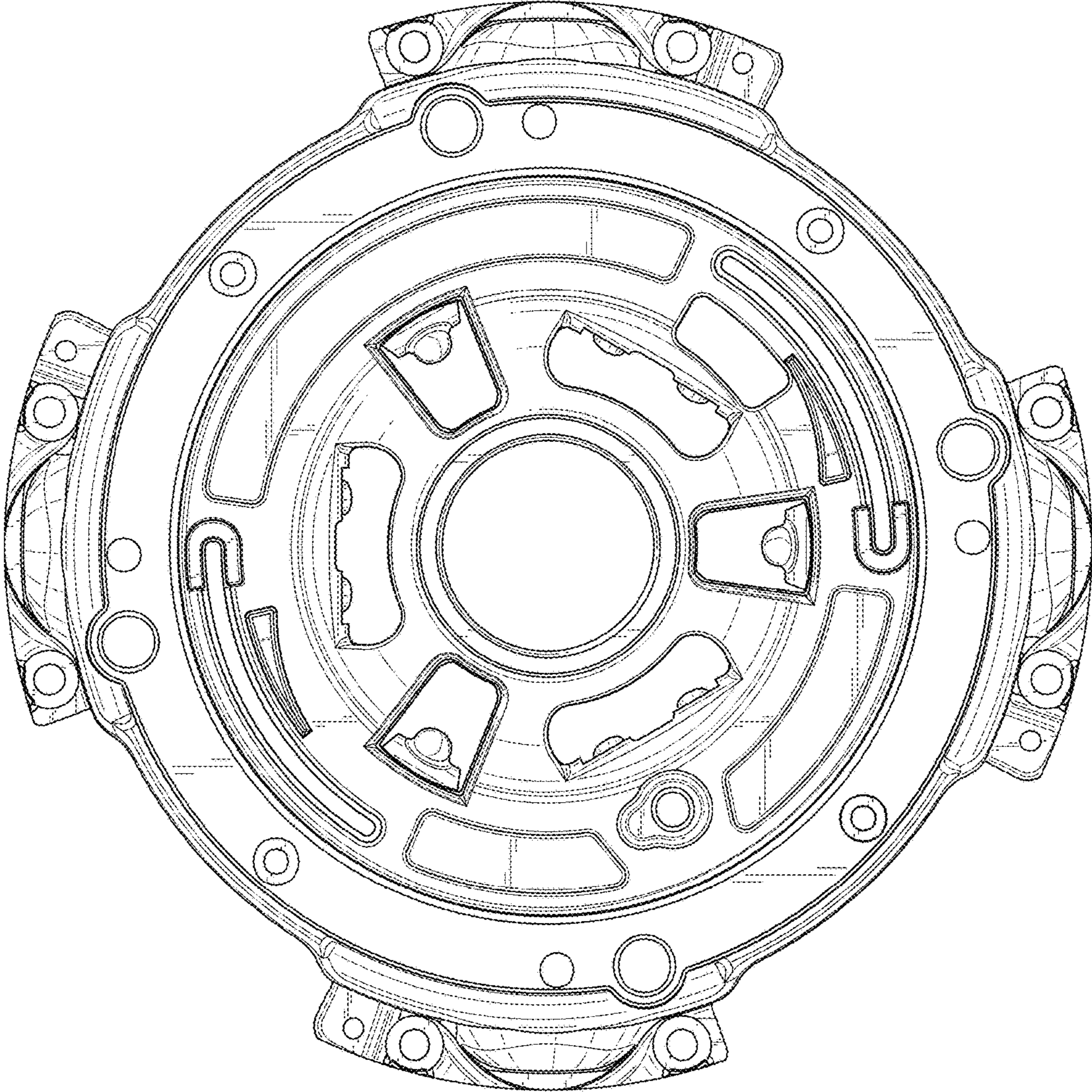


FIG. 6

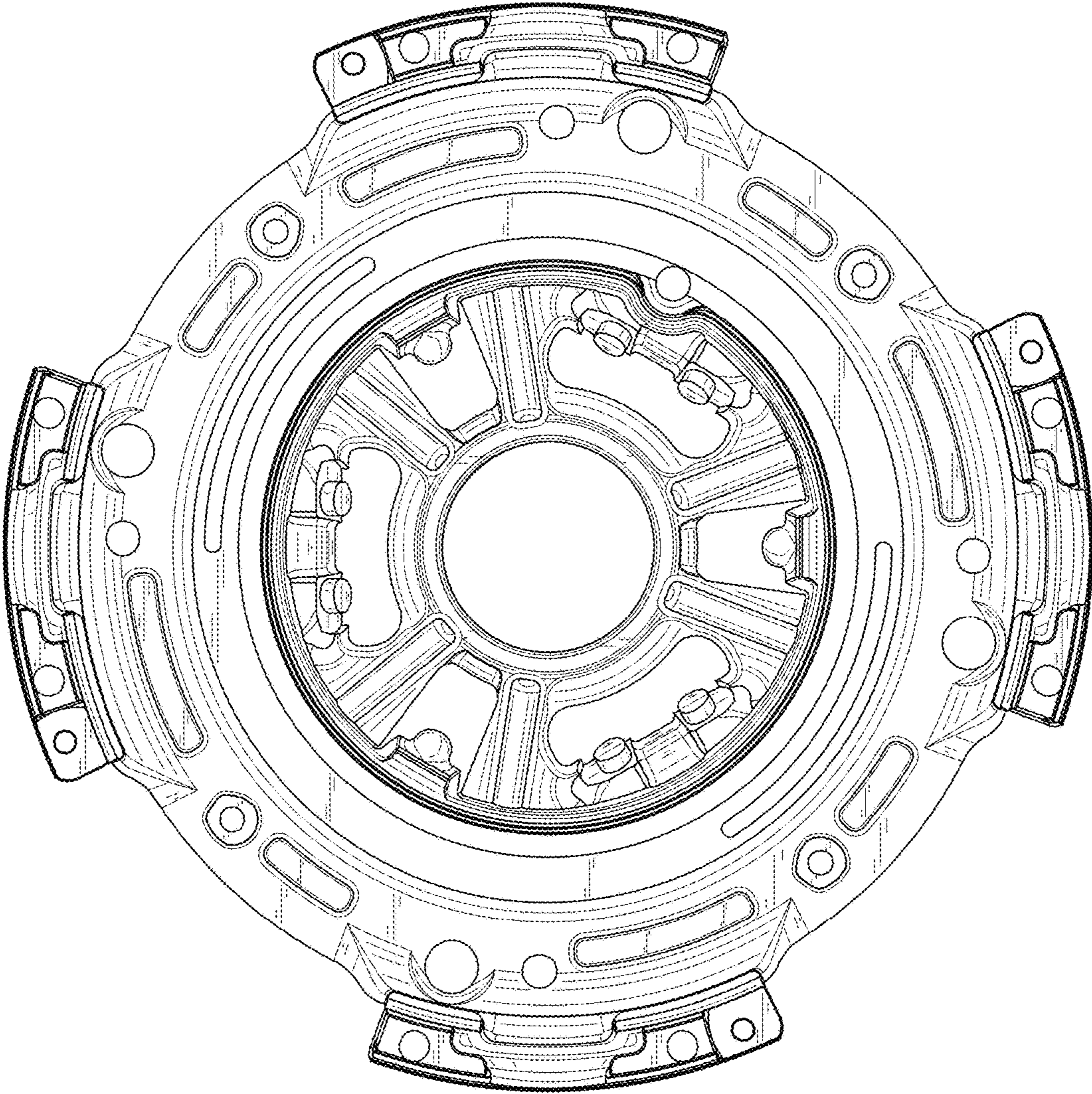


FIG. 7

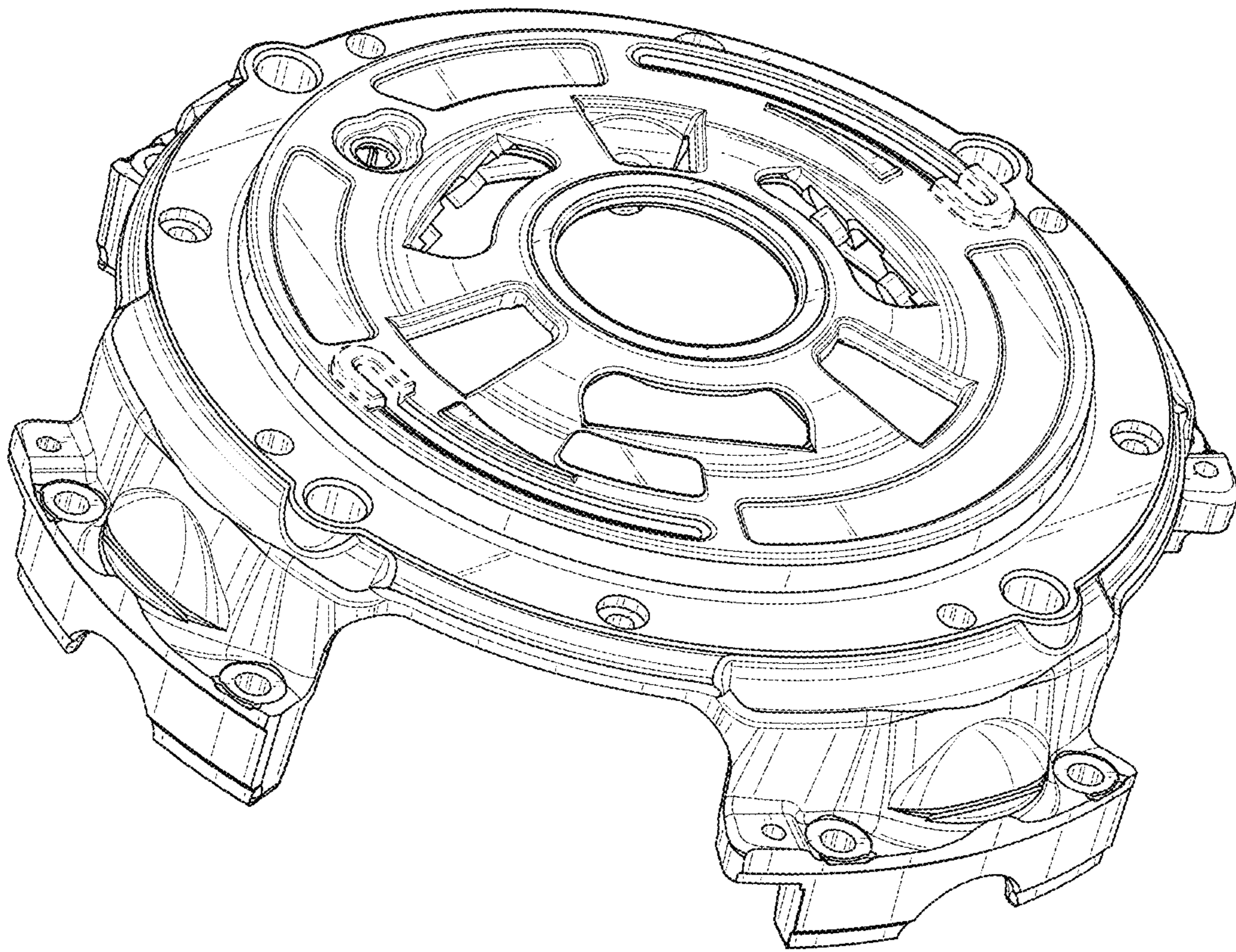


FIG. 8

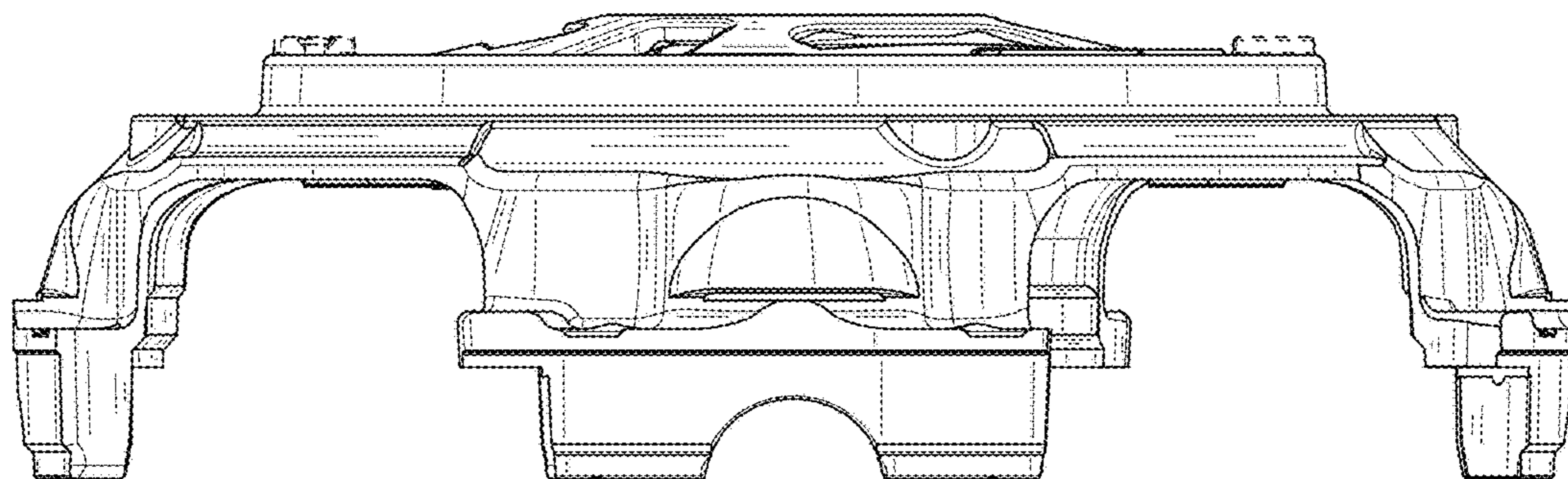


FIG. 9

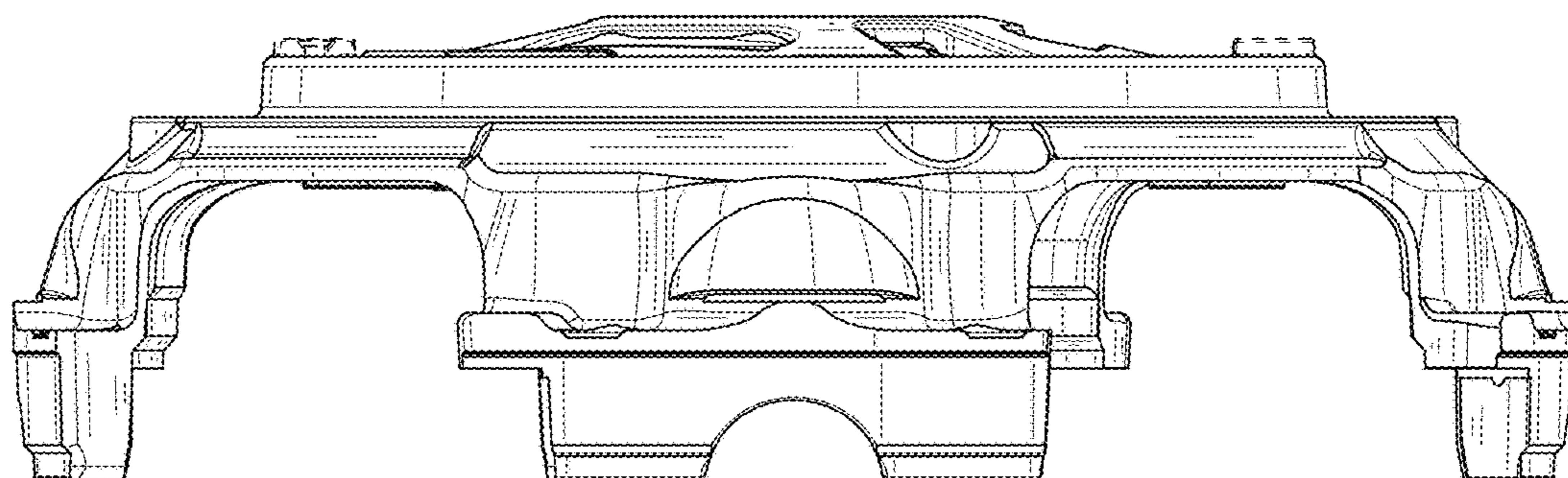


FIG. 10

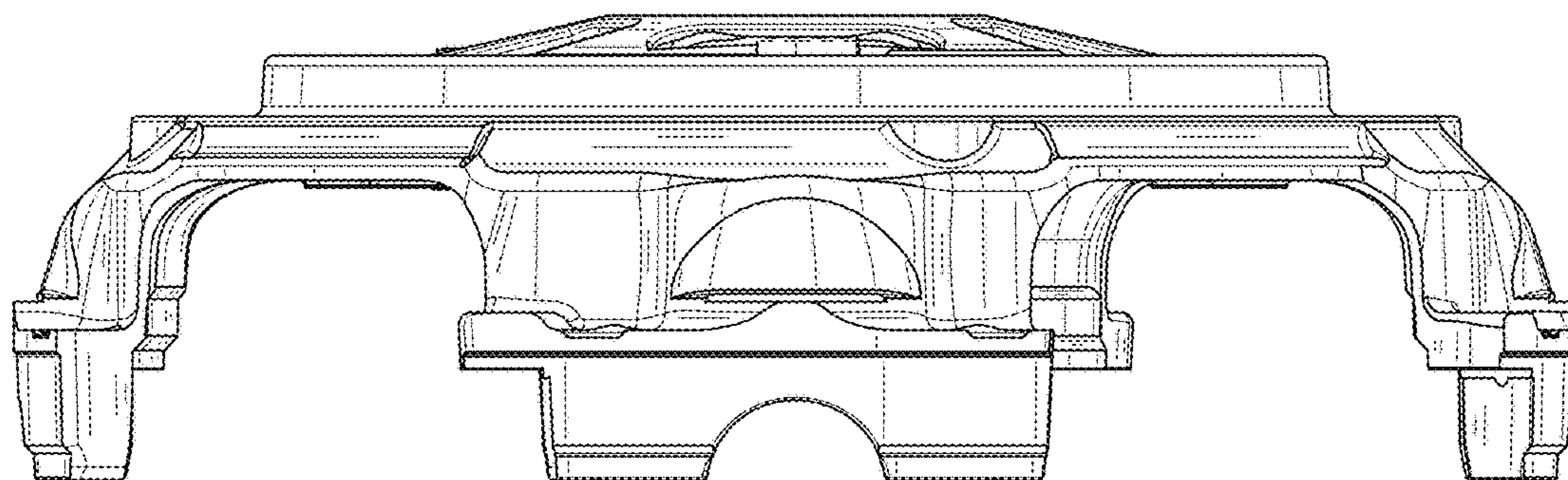


FIG. 11

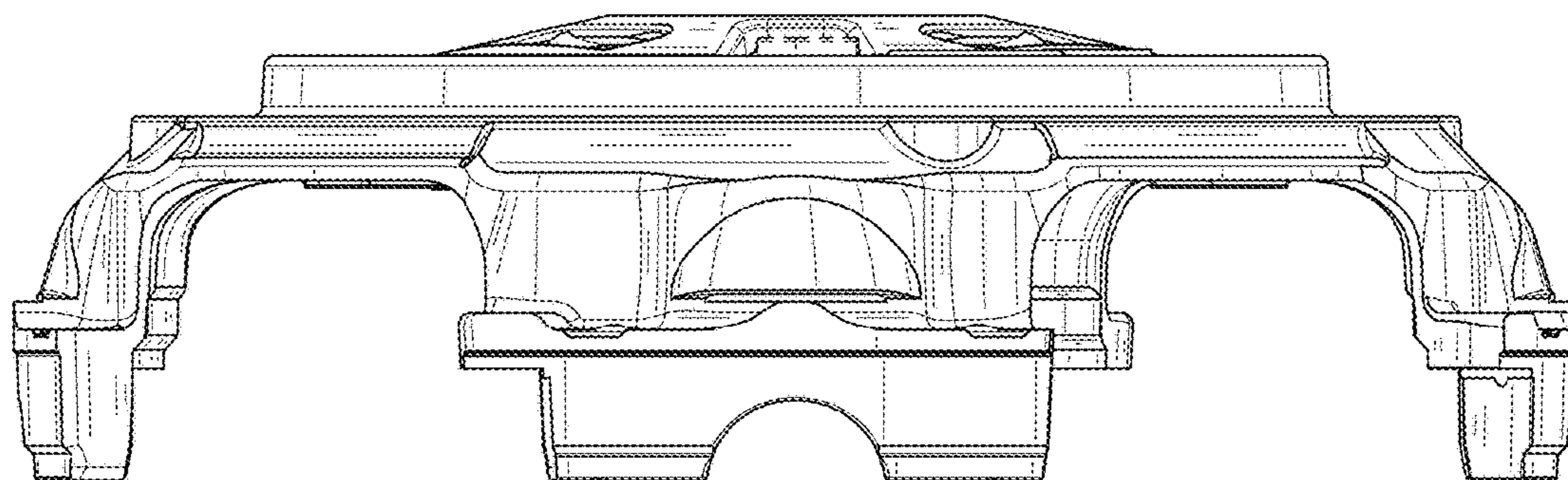


FIG. 12

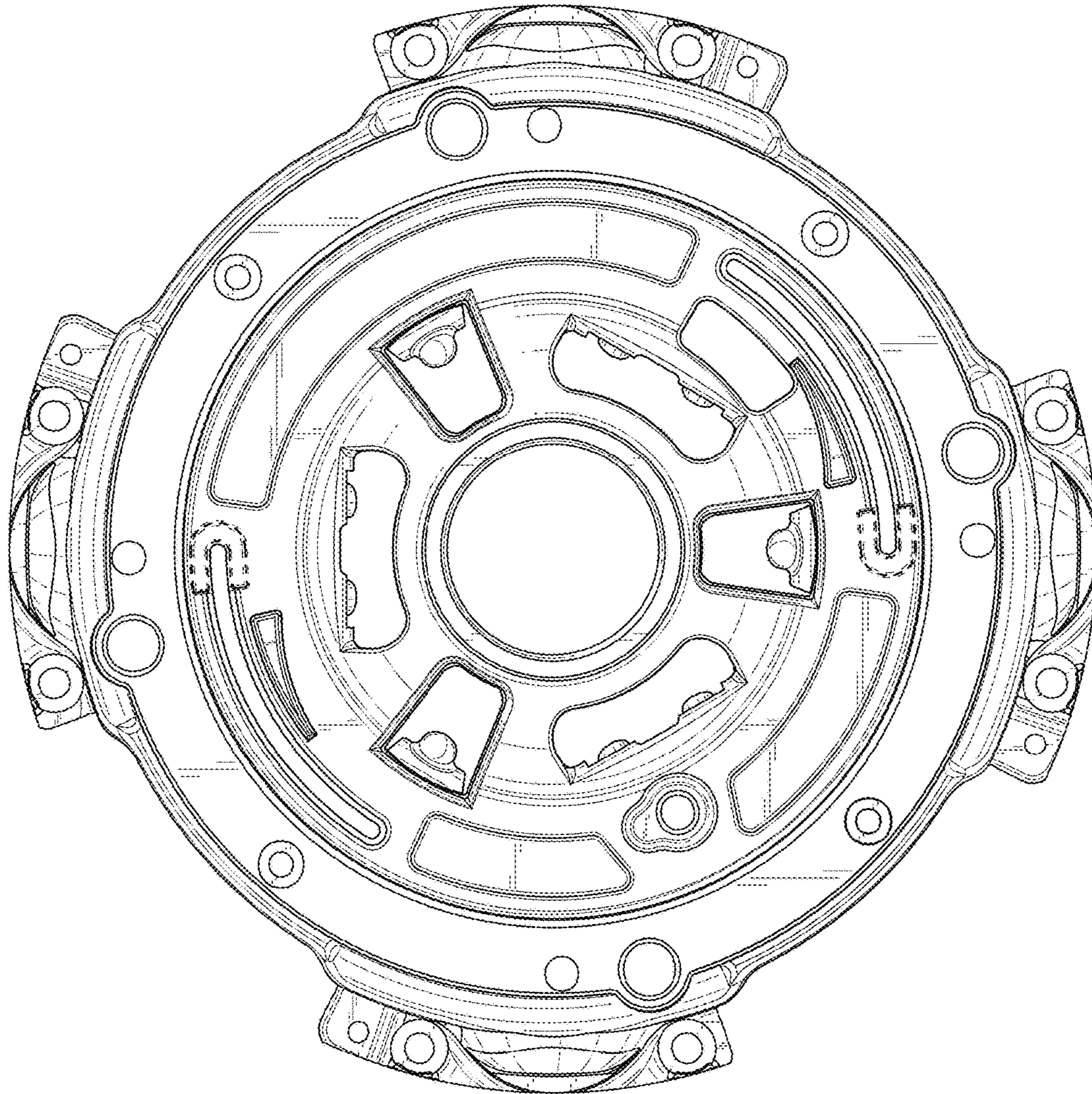


FIG. 13

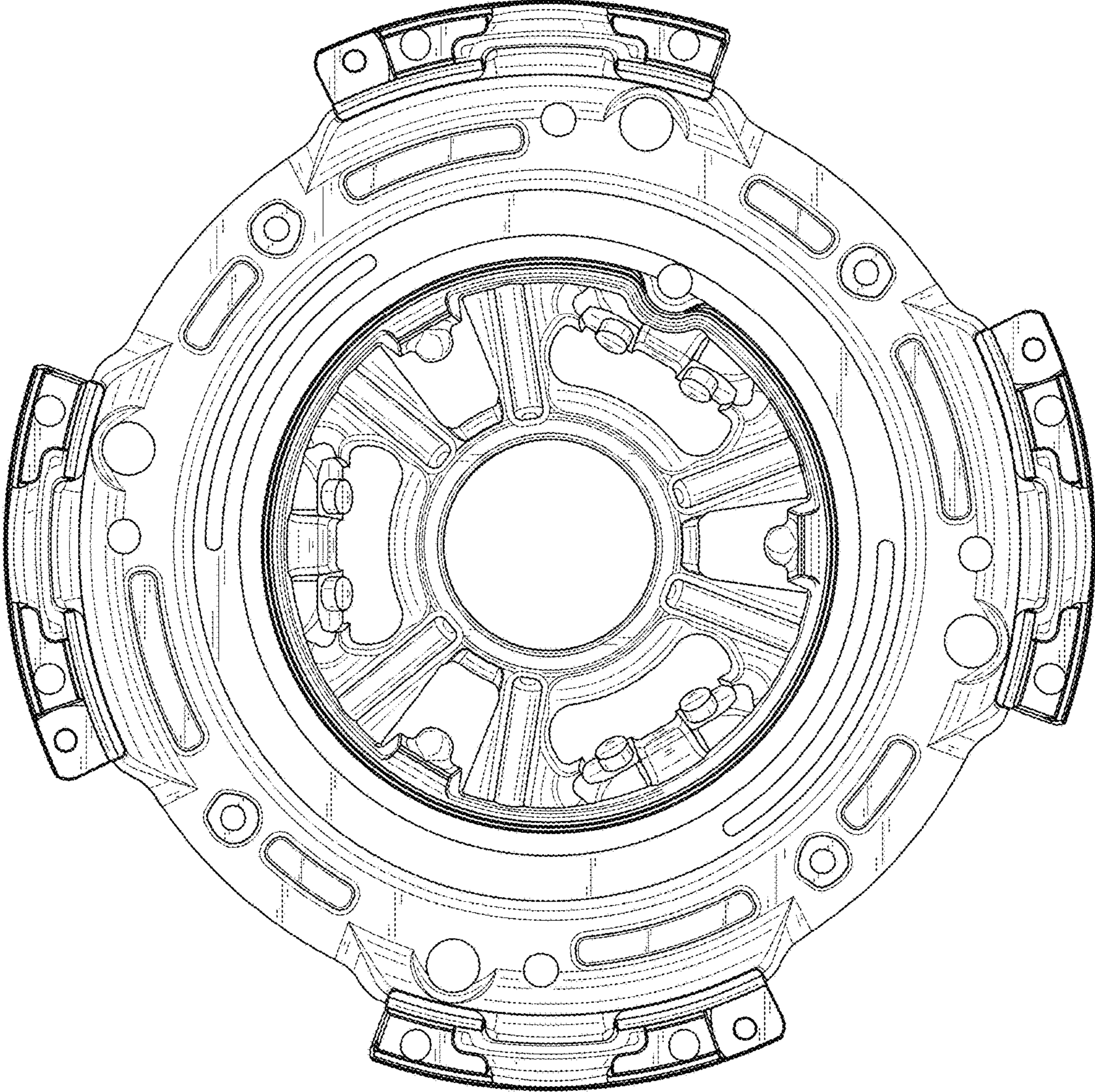


FIG. 14