



US00D787994S

(12) **United States Design Patent**
Carbone

(10) **Patent No.:** **US D787,994 S**

(45) **Date of Patent:** **** May 30, 2017**

(54) **STEERING WHEEL**

(71) Applicant: **Faraday&Future Inc.**, Gardena, CA
(US)

(72) Inventor: **Claudio Carbone**, Los Angeles, CA
(US)

(73) Assignee: **FARADAY&FUTURE INC.**, Gardena,
CA (US)

(**) Term: **15 Years**

(21) Appl. No.: **29/550,062**

(22) Filed: **Dec. 30, 2015**

(51) **LOC (10) Cl.** **12-16**

(52) **U.S. Cl.**
USPC **D12/175; D12/176**

(58) **Field of Classification Search**
USPC D12/175, 176; 74/552, 558, 558.5
CPC B60R 21/203; B60R 21/05; B62D 1/04
See application file for complete search history.

(56) **References Cited**

U.S. PATENT DOCUMENTS

D406,804 S * 3/1999 Sacco D12/175
D510,896 S * 10/2005 Hoelzel D12/175

D578,940 S * 10/2008 Tsay D12/175
D679,228 S * 4/2013 Balko D12/176
D737,184 S * 8/2015 Oosuda D12/175
D776,023 S * 1/2017 Allison D12/175

* cited by examiner

Primary Examiner — Melody N Brown

(74) *Attorney, Agent, or Firm* — Knobbe, Martens, Olson
& Bear LLP

(57) **CLAIM**

The ornamental design for a steering wheel, as shown and described.

DESCRIPTION

FIG. 1 is a top, front, and left side perspective view of a steering wheel.

FIG. 2 is a front elevation view of the steering wheel of FIG. 1.

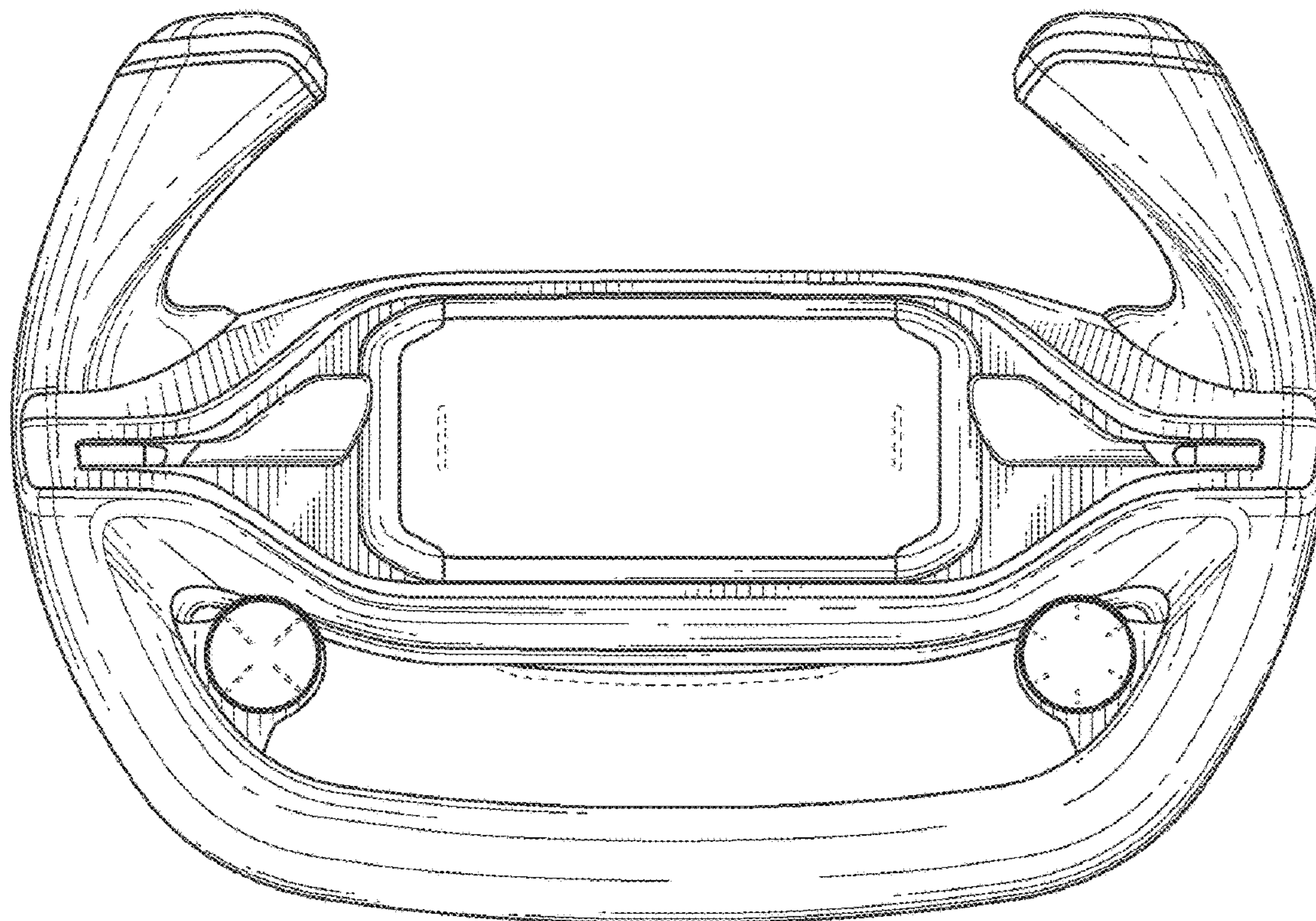
FIG. 3 is a back elevation view of the steering wheel of FIG. 1.

FIG. 4 is a left side elevation view of the steering wheel of FIG. 1, the right side being a mirror image.

FIG. 5 is a top plan view of the steering wheel of FIG. 1; and, FIG. 6 is a bottom plan view of the steering wheel of FIG. 1.

The broken lines in the drawings depict environmental structure and form no part of the claimed design.

1 Claim, 5 Drawing Sheets



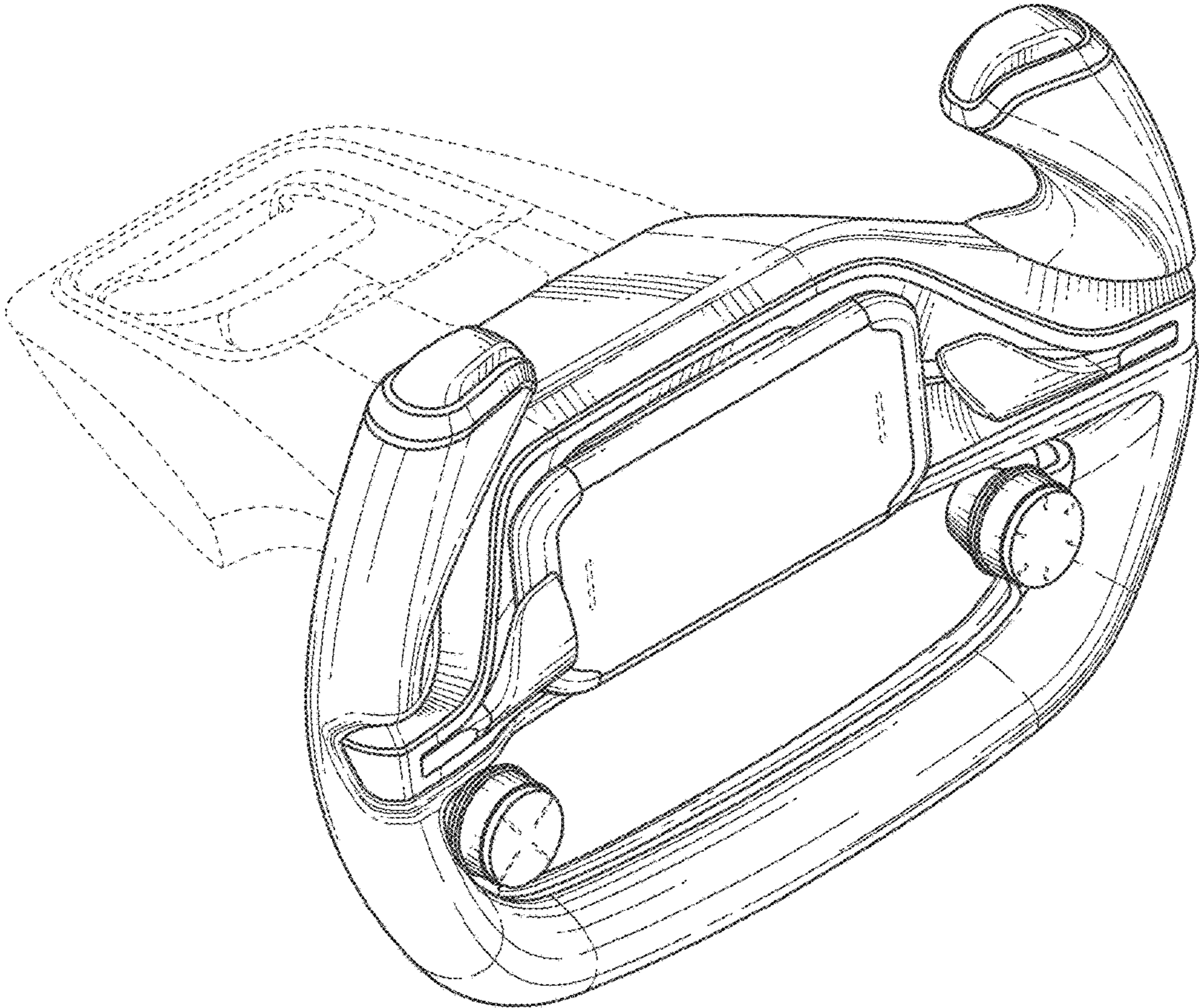


FIG. 1

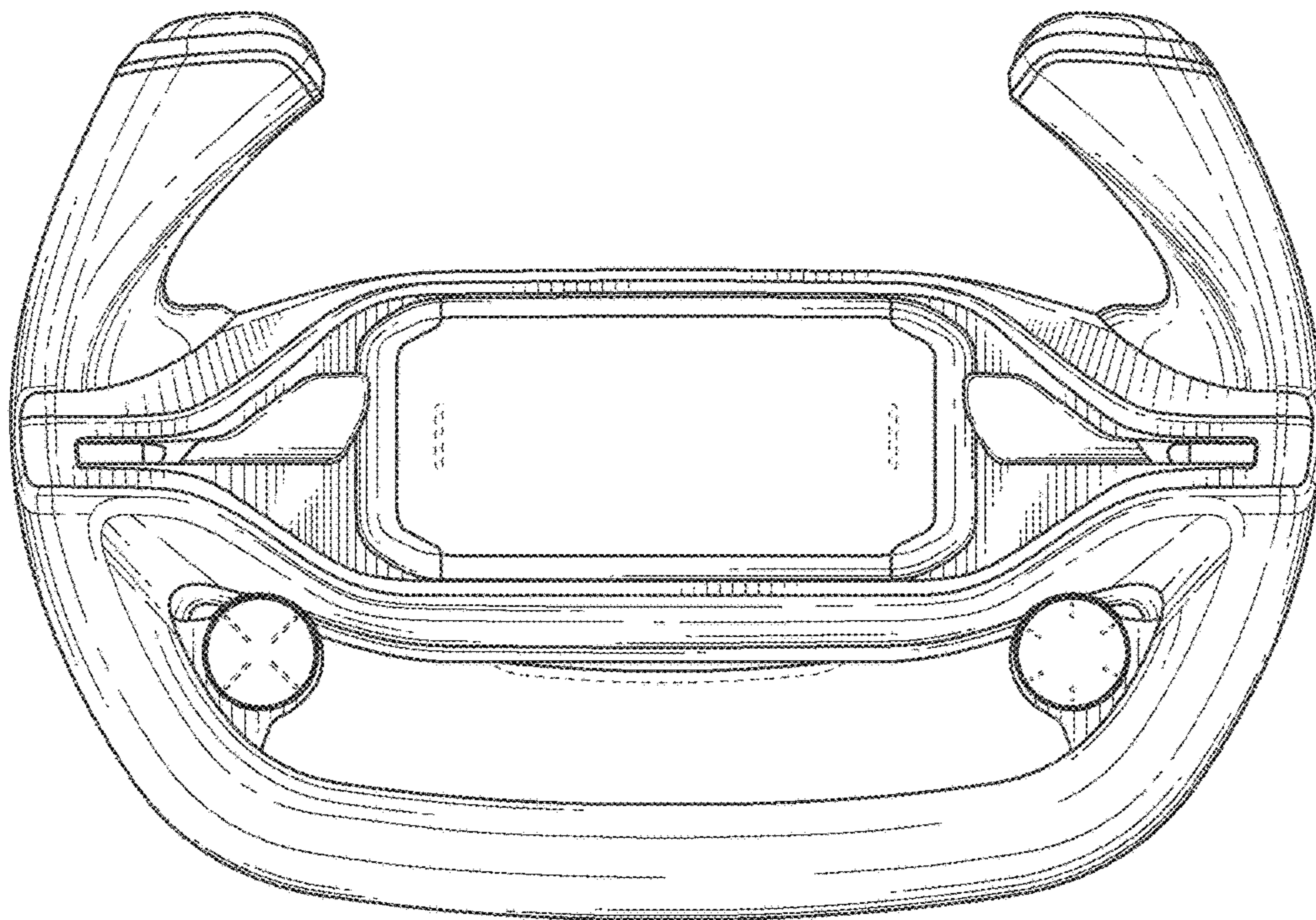


FIG. 2

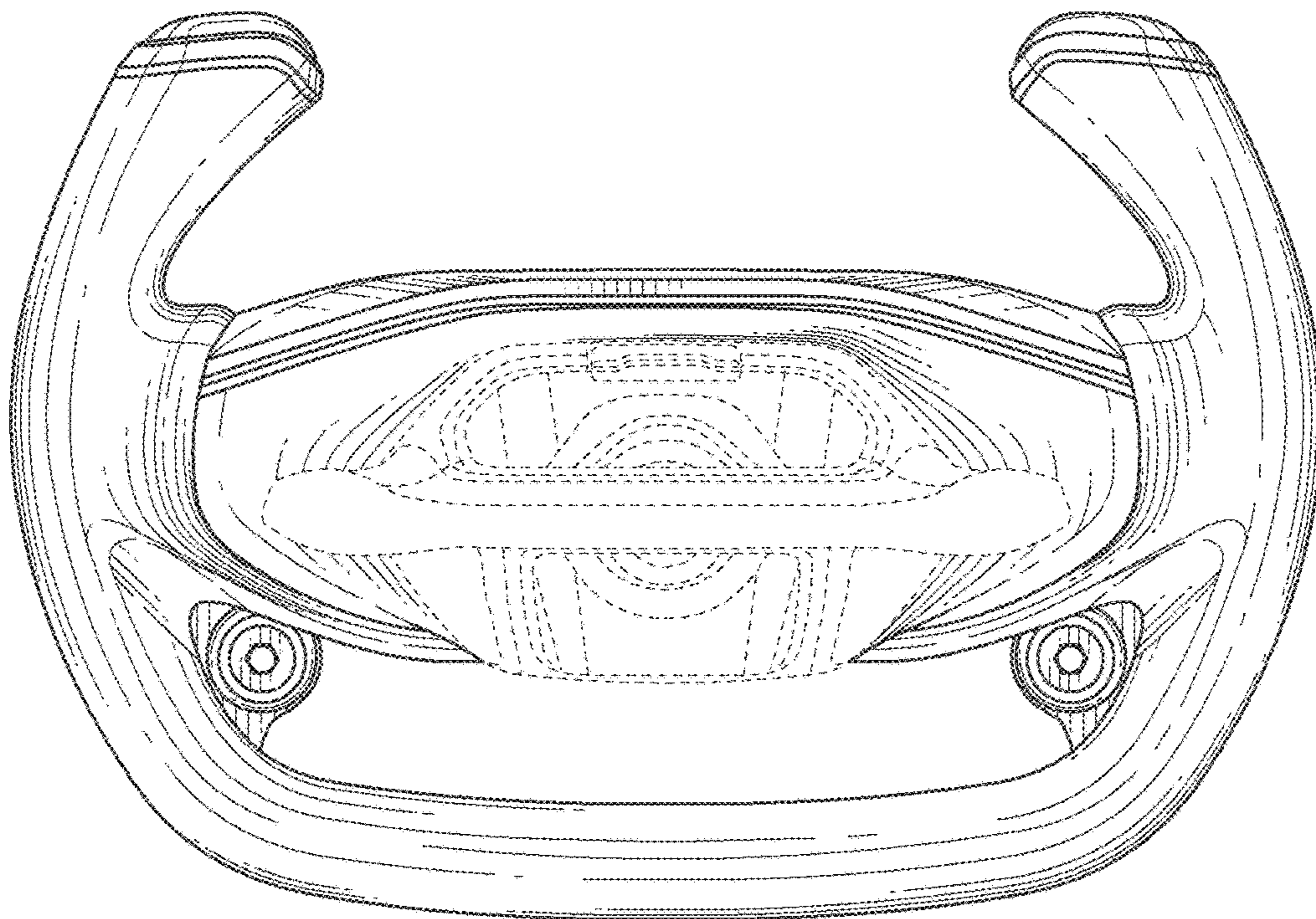


FIG. 3

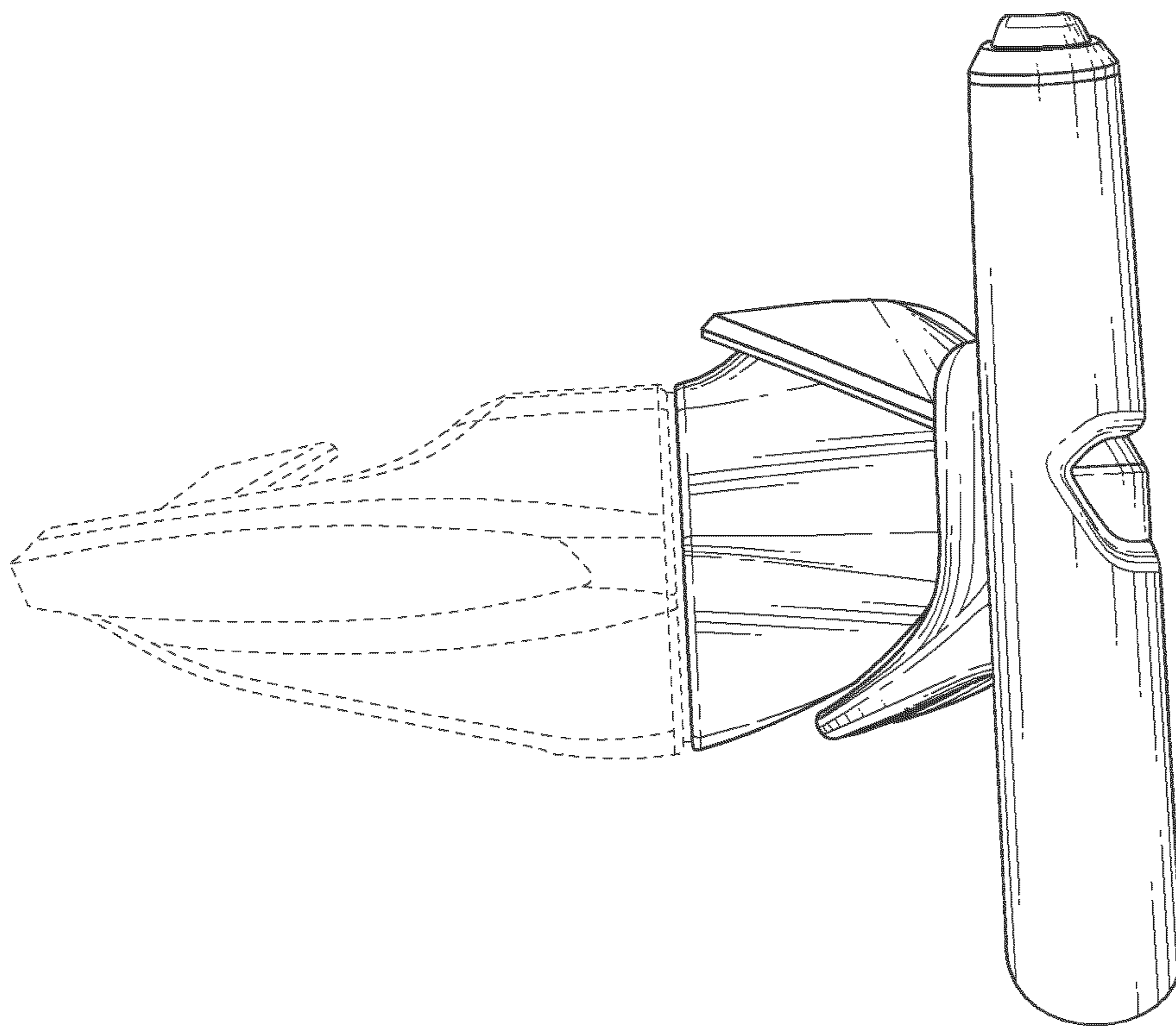


FIG. 4

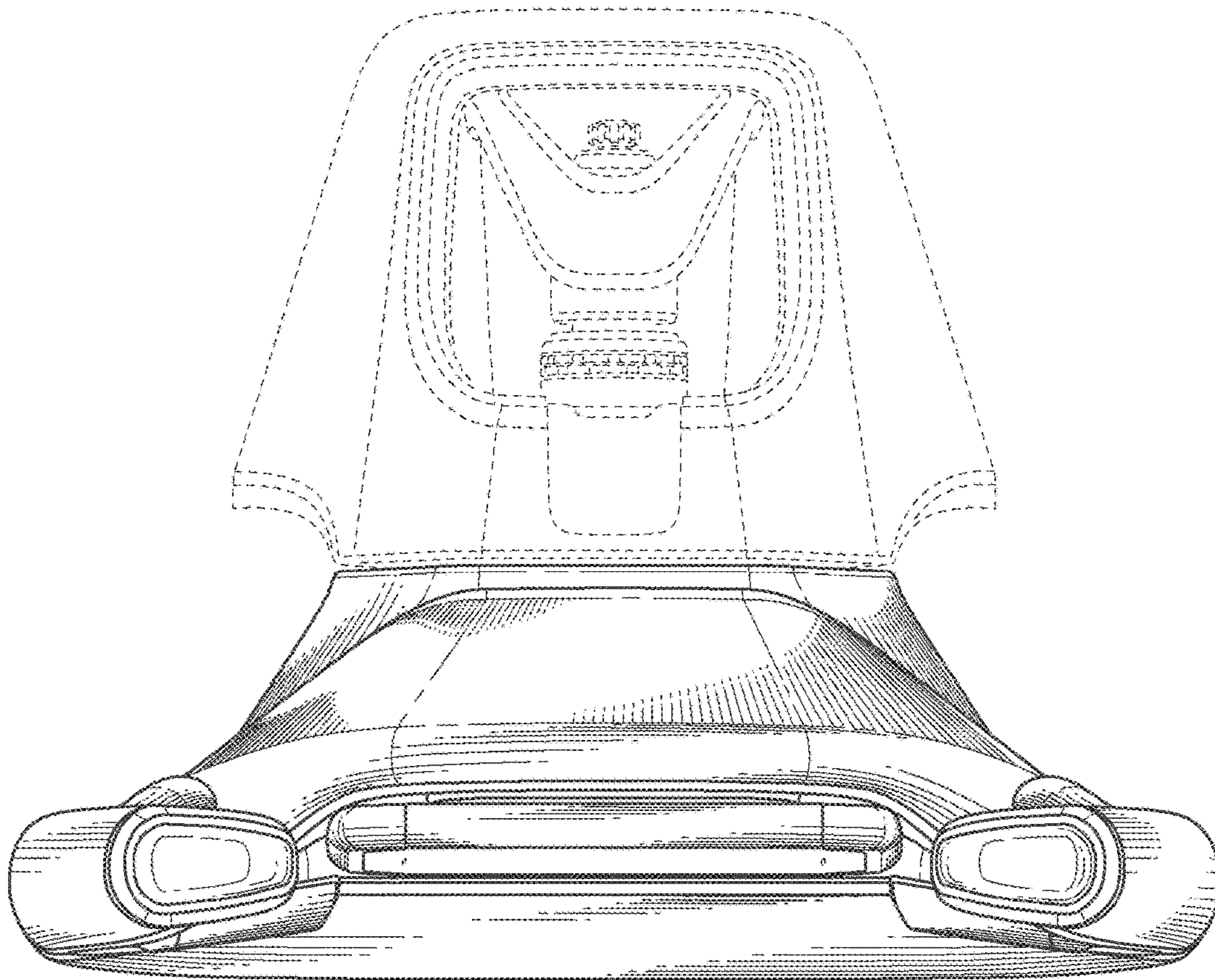


FIG. 5

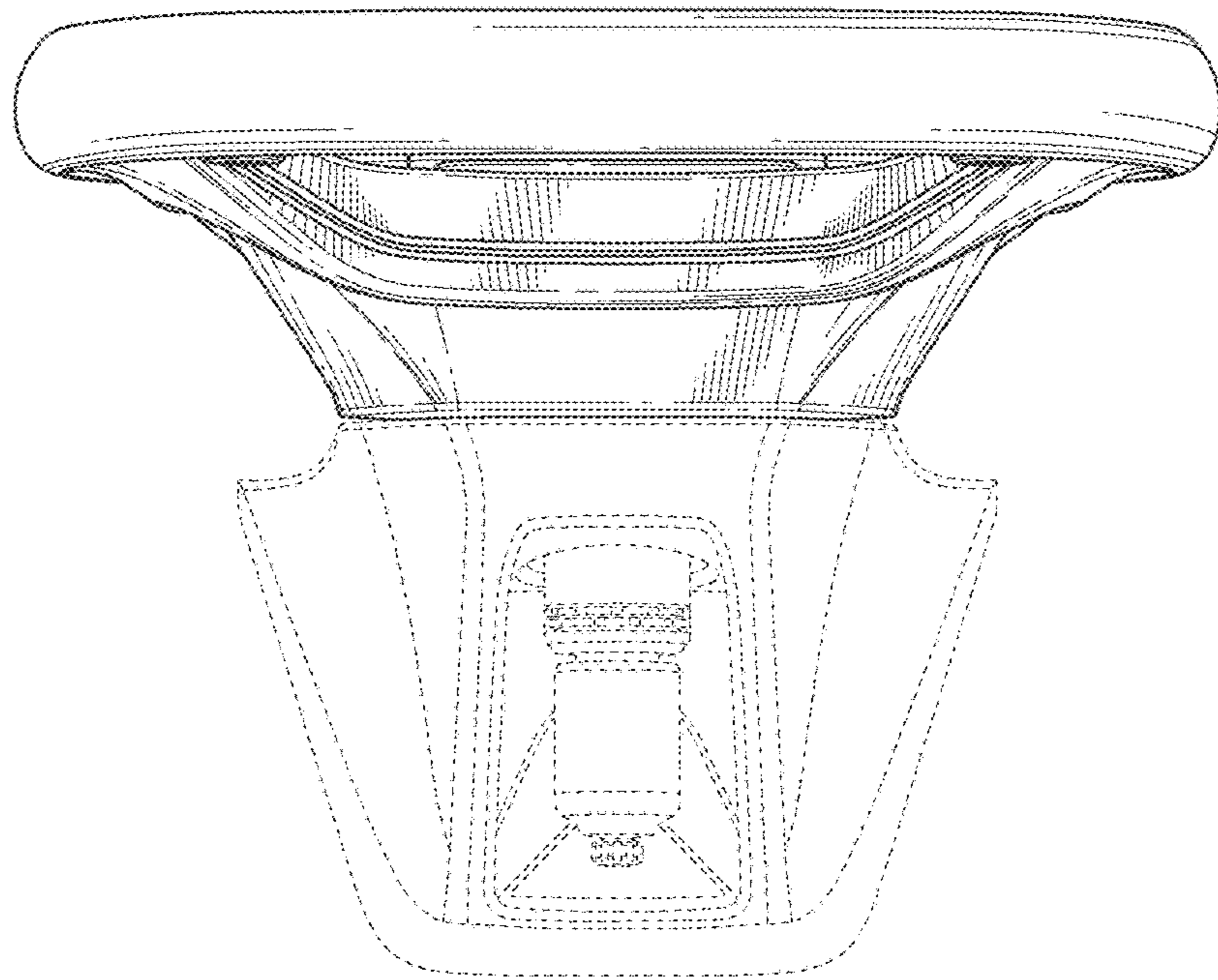


FIG. 6