



US00D787992S

(12) **United States Design Patent** (10) **Patent No.:** **US D787,992 S**
Lee (45) **Date of Patent:** **** May 30, 2017**

(54) **VEHICLE HOOD**
(71) Applicant: **GM GLOBAL TECHNOLOGY OPERATIONS LLC**, Detroit, MI (US)
(72) Inventor: **Hwasup Lee**, Rochester Hills, MI (US)
(73) Assignee: **GM Global Technology Operations LLC**, Detroit, MI (US)
(**) Term: **15 Years**
(21) Appl. No.: **29/547,239**
(22) Filed: **Dec. 2, 2015**
(51) **LOC (10) Cl.** **12-16**
(52) **U.S. Cl.**
USPC **D12/173**
(58) **Field of Classification Search**
USPC D12/173, 196, 86, 90-92, 181;
180/69.21, 69.2, 69.22; 296/190.1-190.5,
296/190.8, 193.11, 37.6
CPC B62D 25/10; B62D 25/06; B62D 65/02;
B62D 25/12; B60Q 1/00
See application file for complete search history.

D608,691 S 1/2010 Zak, Jr. et al.
D609,608 S 2/2010 Boniface et al.
D611,387 S 3/2010 Thompson et al.
D611,879 S 3/2010 Kim et al.
D612,297 S 3/2010 Peters et al.
D613,645 S 4/2010 Song et al.
D615,458 S 5/2010 Thompson et al.
D618,595 S 6/2010 Ware et al.
D623,090 S 9/2010 Cox et al.
D627,262 S 11/2010 Ikeda et al.
D635,488 S 4/2011 Phipps
D644,147 S 8/2011 Suh et al.
D644,567 S 9/2011 Kozub
D657,718 S 4/2012 Zipfel et al.
D659,052 S 5/2012 Ware et al.
D659,053 S 5/2012 Ware et al.
D668,182 S 10/2012 Barba Franco et al.
D668,183 S 10/2012 Smart
D678,820 S 3/2013 Son et al.
D678,821 S 3/2013 Ikeda et al.
D679,227 S * 4/2013 Schmeckpeper D12/173
D680,909 S 4/2013 Munson et al.
D680,910 S 4/2013 David
D684,899 S 6/2013 Baker

(Continued)

Primary Examiner — Melody N Brown
(74) *Attorney, Agent, or Firm* — Reising Ethington P.C.

(57) **CLAIM**

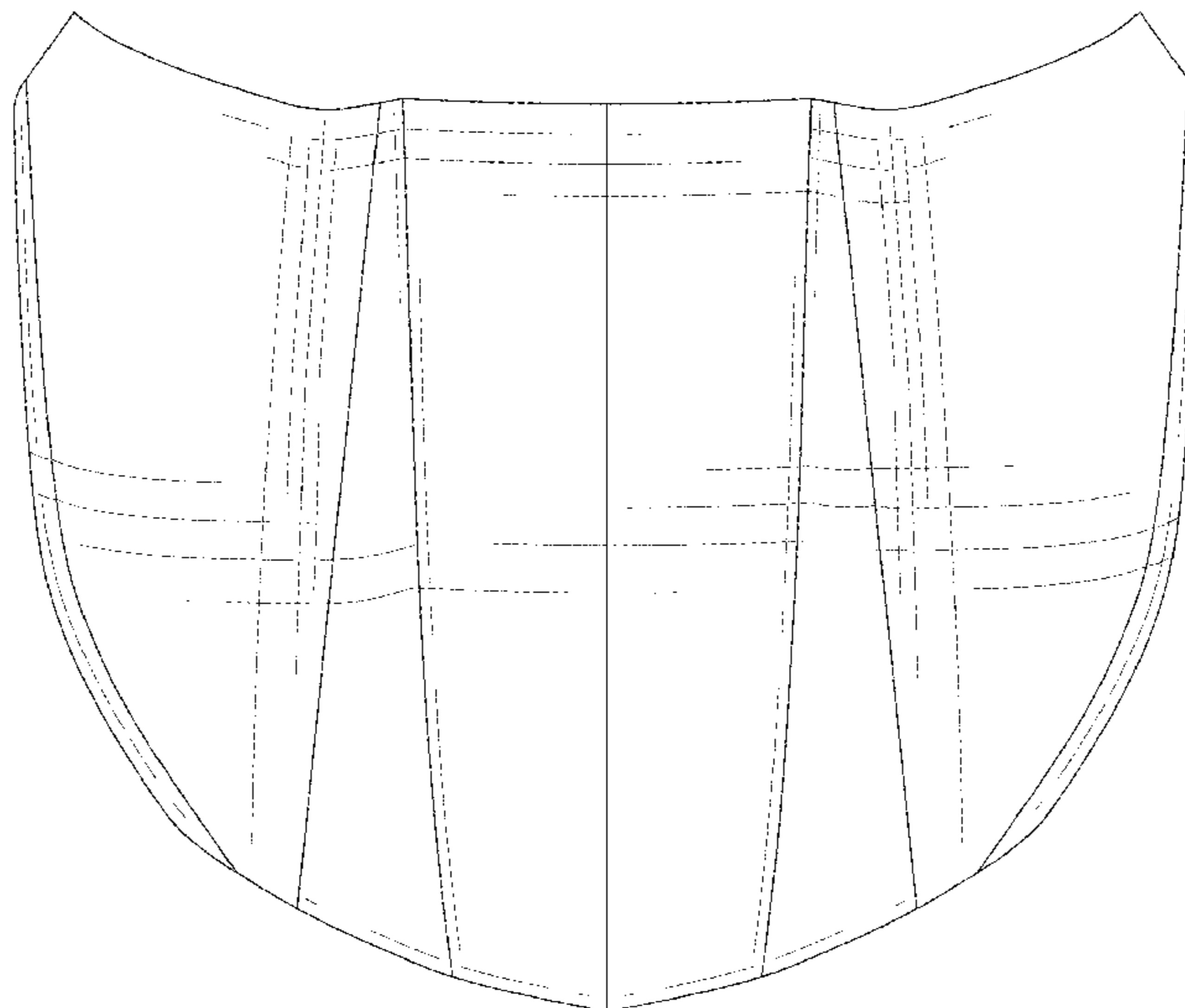
The ornamental design for a vehicle hood, as shown and described.

DESCRIPTION

FIG. 1 is a perspective view of the vehicle hood;
FIG. 2 is a front view thereof;
FIG. 3 is a left side elevation view thereof, the right side is a mirror image thereof; and,
FIG. 4 is a top plan view thereof.
In the drawings, the portions shown by broken lines form no part of the claimed design.

1 Claim, 2 Drawing Sheets

(56) **References Cited**
U.S. PATENT DOCUMENTS
D570,742 S 6/2008 Takagi et al.
D592,105 S 5/2009 Dean et al.
D597,447 S 8/2009 Folden
D600,595 S 9/2009 Nakamura et al.
D601,925 S 10/2009 O'Donnell
D603,755 S 11/2009 Peters
D604,203 S 11/2009 O'Donnell
D605,082 S 12/2009 Munson
D605,083 S 12/2009 Manoogian, II et al.
D605,977 S 12/2009 Zipfel et al.
D605,978 S 12/2009 Wolff et al.
D608,249 S 1/2010 Peters
D608,690 S 1/2010 Folden et al.



(56)

References Cited

U.S. PATENT DOCUMENTS

| | | | | | |
|------------|---------|------------------|--------------|---------|-----------------------|
| D686,536 S | 7/2013 | McCabe et al. | D725,001 S | 3/2015 | McMahan et al. |
| D692,798 S | 11/2013 | Thurber | D726,591 S | 4/2015 | Jacob |
| D692,799 S | 11/2013 | Smith et al. | D730,776 S | 6/2015 | Smart |
| D696,157 S | 12/2013 | Loeb | D730,783 S | 6/2015 | Henriques et al. |
| D699,629 S | 2/2014 | Ikeda et al. | D732,427 S | 6/2015 | Loeb |
| D700,871 S | 3/2014 | O'Donnell et al. | D732,429 S | 6/2015 | Loeb |
| D703,103 S | 4/2014 | Lee | D732,430 S | 6/2015 | Loeb |
| D704,103 S | 5/2014 | Mack et al. | D732,431 S | 6/2015 | Loeb |
| D705,132 S | 5/2014 | Ware et al. | D732,432 S | 6/2015 | Aengenheyster |
| D705,699 S | 5/2014 | Ware et al. | D732,433 S | 6/2015 | Aengenheyster |
| D713,298 S | 9/2014 | Dyson | D732,435 S | 6/2015 | Mackay |
| D713,764 S | 9/2014 | Ferlazzo et al. | D733,002 S | 6/2015 | Loeb |
| D716,696 S | 11/2014 | Thole et al. | D735,611 S | 8/2015 | Aengenheyster |
| D716,706 S | 11/2014 | Thole et al. | D735,627 S | 8/2015 | Smith |
| D716,709 S | 11/2014 | Thole et al. | D736,451 S | 8/2015 | Smith |
| D717,696 S | 11/2014 | Thole et al. | D739,306 S | 9/2015 | McMahan et al. |
| D718,189 S | 11/2014 | Krieg et al. | D739,317 S | 9/2015 | McMahan et al. |
| D718,683 S | 12/2014 | Thole et al. | D741,223 S | 10/2015 | Kim et al. |
| D722,282 S | 2/2015 | Loeb | D743,309 S | 11/2015 | Thole et al. |
| D722,533 S | 2/2015 | Thole et al. | D743,313 S | 11/2015 | Smith et al. |
| D722,534 S | 2/2015 | Munson et al. | D743,314 S | 11/2015 | Thole et al. |
| D724,510 S | 3/2015 | McMahan et al. | D743,857 S | 11/2015 | McMahan et al. |
| | | | D744,158 S | 11/2015 | Willett et al. |
| | | | D777,620 S * | 1/2017 | Pevovar D12/173 |

* cited by examiner

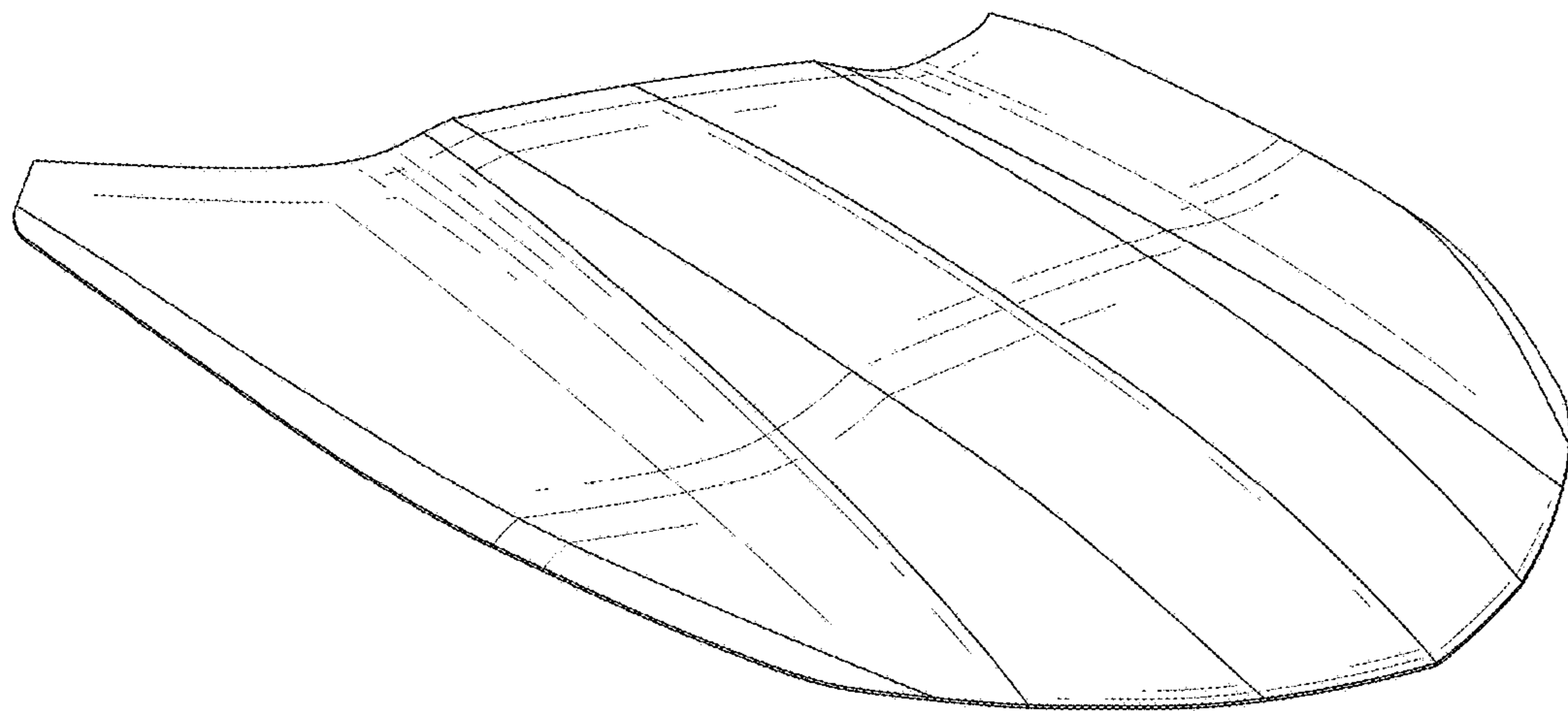


Fig. 1

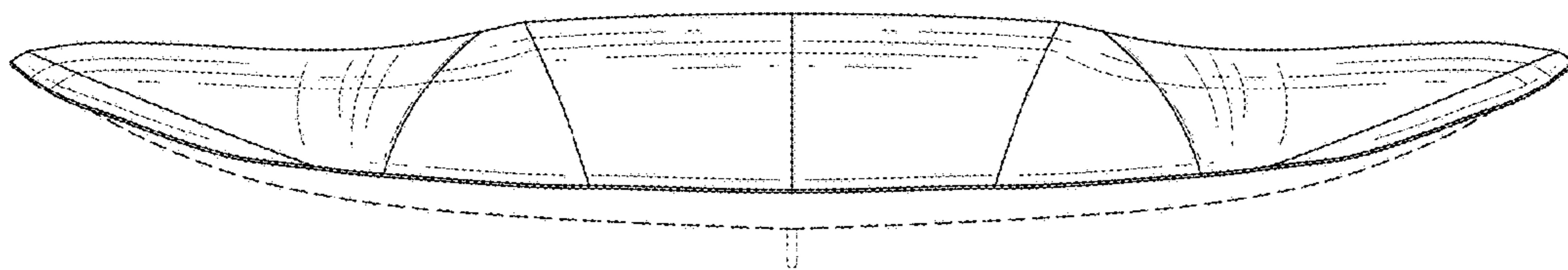


Fig. 2

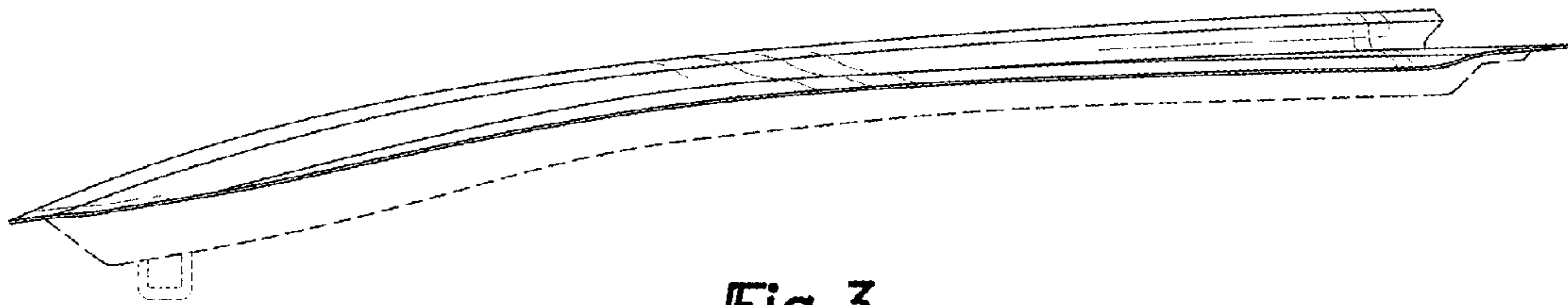


Fig. 3

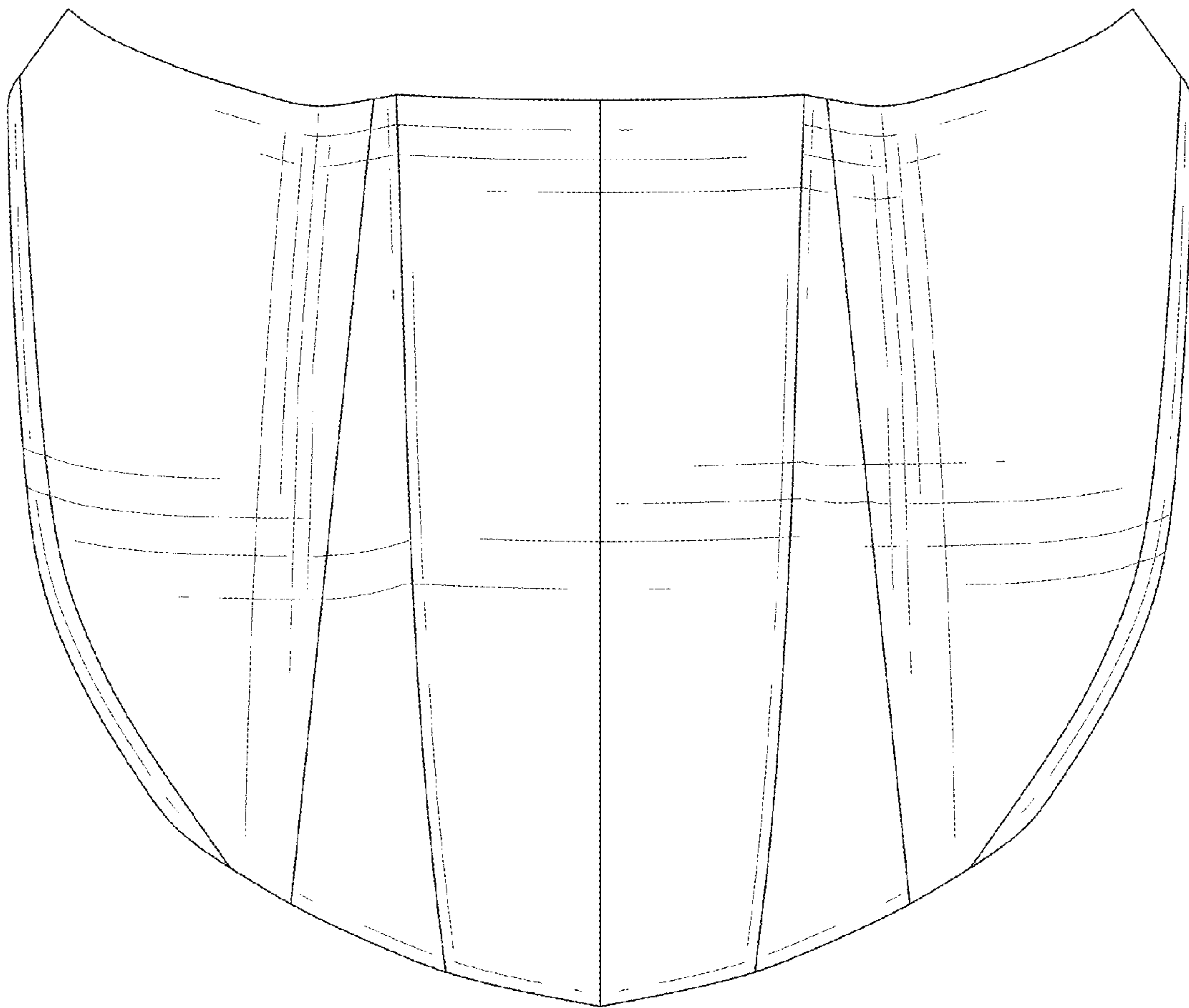


Fig. 4