



US00D787989S

(12) **United States Design Patent** (10) **Patent No.:** **US D787,989 S**  
**Kozub et al.** (45) **Date of Patent:** **\*\* May 30, 2017**

(54) **VEHICLE REAR FASCIA**  
 (71) Applicant: **GM GLOBAL TECHNOLOGY OPERATIONS LLC**, Detroit, MI (US)  
 (72) Inventors: **Timothy P. Kozub**, Troy, MI (US); **Stuart Cooper**, Bloomfield Hills, MI (US); **Jonghyuk Park**, Troy, MI (US)  
 (73) Assignee: **GM Global Technology Operations LLC**, Detroit, MI (US)

D608,249 S 1/2010 Peters  
 D608,690 S 1/2010 Folden et al.  
 D608,691 S 1/2010 Zak, Jr. et al.  
 D609,608 S 2/2010 Boniface et al.  
 D611,387 S 3/2010 Thompson et al.  
 D611,879 S 3/2010 Kim et al.  
 D612,297 S 3/2010 Peters et al.  
 D613,645 S 4/2010 Song et al.  
 D615,458 S 5/2010 Thompson et al.  
 D618,595 S 6/2010 Ware et al.  
 D623,090 S 9/2010 Cox et al.  
 D627,262 S 11/2010 Ikeda et al.  
 D635,488 S 4/2011 Phipps

(\*\*) Term: **15 Years**

(Continued)

(21) Appl. No.: **29/543,415**  
 (22) Filed: **Oct. 23, 2015**  
 (51) **LOC (10) Cl.** ..... **12-16**  
 (52) **U.S. Cl.**  
 USPC ..... **D12/169**; D12/82; D12/86  
 (58) **Field of Classification Search**  
 USPC ..... D12/91, 92, 163, 164, 169, 171;  
 293/113, 115; 296/35.2  
 CPC . B60R 19/02; B60R 2019/1886; B60R 19/48;  
 B60R 19/52; B60R 19/56  
 See application file for complete search history.

OTHER PUBLICATIONS

Car News, 2016 Chevrolet Cruze RS, Jun 27, 2015, youtube.com [online], [site visited Aug. 3, 2016]. Available from Internet: <<https://www.youtube.com/watch?v=57XnyMmzg9Y>>.\*

(Continued)

*Primary Examiner* — Karen Kearney  
*Assistant Examiner* — Katherine Holbrow  
 (74) *Attorney, Agent, or Firm* — Reising Ethington P.C.

(56) **References Cited**

U.S. PATENT DOCUMENTS

D570,742 S 6/2008 Takagi et al.  
 D592,105 S 5/2009 Dean et al.  
 D597,447 S 8/2009 Folden  
 D599,704 S \* 9/2009 Frenzel ..... D12/91  
 D600,595 S 9/2009 Nakamura et al.  
 D601,925 S 10/2009 O'Donnell  
 D602,822 S \* 10/2009 Irie ..... D12/169  
 D603,755 S 11/2009 Peters  
 D604,203 S 11/2009 O'Donnell  
 D605,082 S 12/2009 Munson  
 D605,083 S 12/2009 Manoogian, II et al.  
 D605,977 S 12/2009 Zipfel et al.  
 D605,978 S 12/2009 Wolff et al.

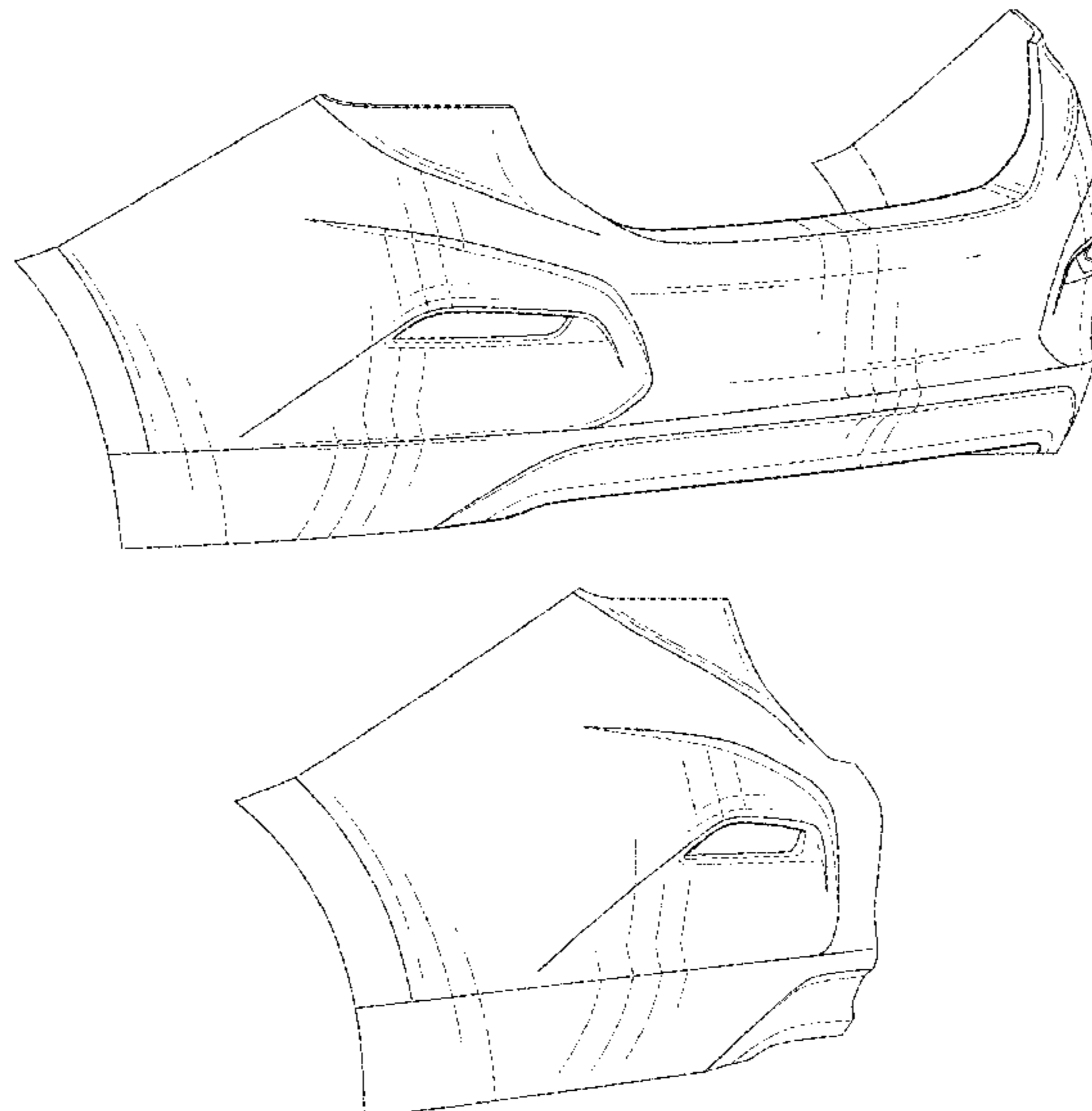
(57) **CLAIM**

The ornamental design for a vehicle rear fascia, as shown and described.

**DESCRIPTION**

FIG. 1 is a perspective view of the vehicle rear fascia; FIG. 2 is a left side elevation view thereof (where the right side elevation view is omitted since the right side elevation view is identical to the left side elevation view); FIG. 3 is a top plan view thereof; and, FIG. 4 is a front view thereof.  
 The broken lines shown in the drawings depict portions of the vehicle rear fascia that form no part of the claimed design.

**1 Claim, 2 Drawing Sheets**



(56)

References Cited

U.S. PATENT DOCUMENTS

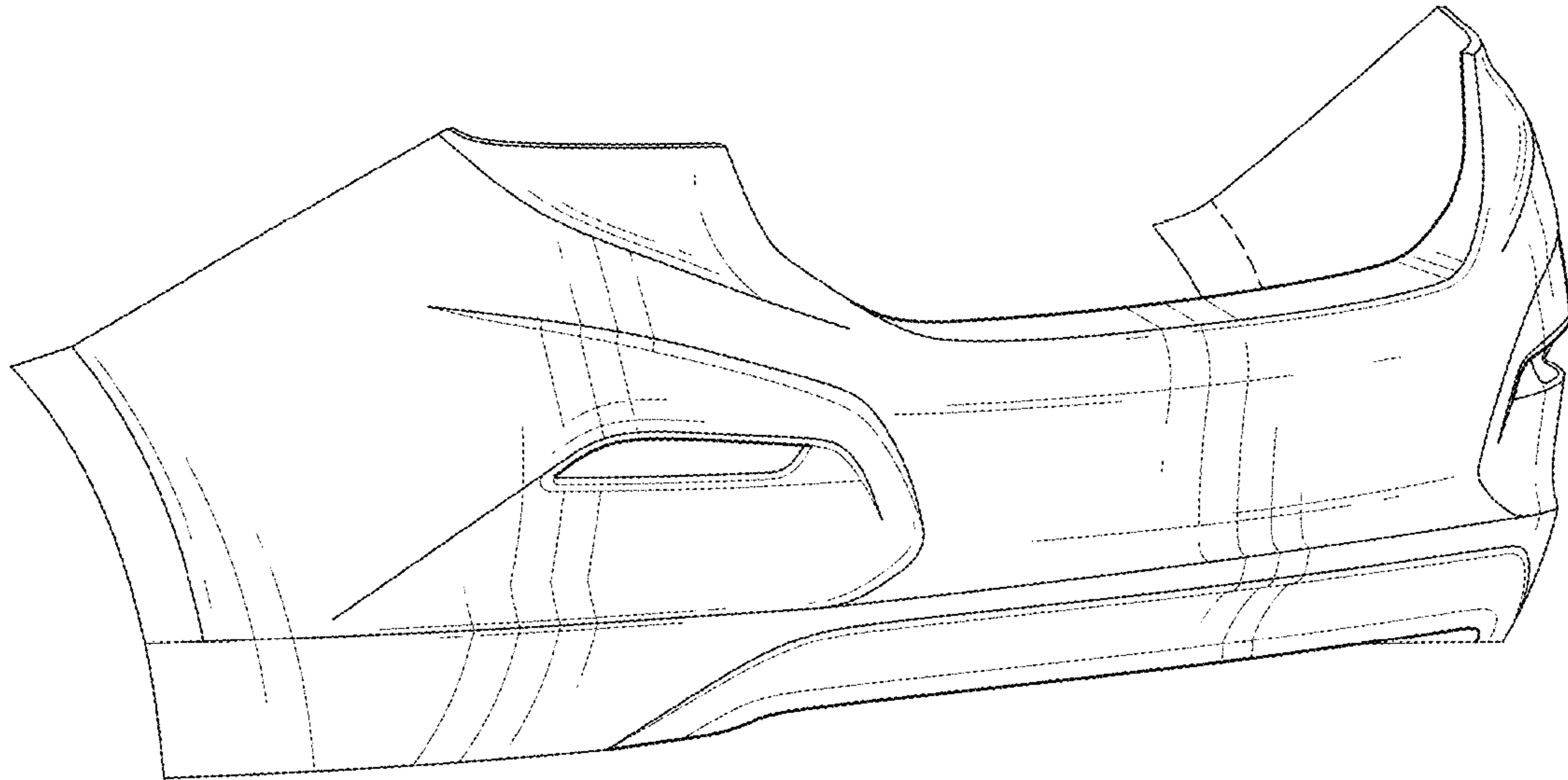
D644,147 S 8/2011 Suh et al.  
 D644,567 S 9/2011 Kozub  
 D657,718 S 4/2012 Zipfel et al.  
 D659,052 S 5/2012 Ware et al.  
 D659,053 S 5/2012 Ware et al.  
 D668,182 S 10/2012 Barba Franco et al.  
 D668,183 S 10/2012 Smart  
 D678,820 S \* 3/2013 Song ..... D12/91  
 D678,821 S \* 3/2013 Ikeda ..... D12/91  
 D680,909 S 4/2013 Munson et al.  
 D680,910 S 4/2013 David  
 D684,899 S 6/2013 Baker  
 D686,118 S \* 7/2013 Thurber ..... D12/169  
 D686,536 S 7/2013 McCabe et al.  
 D692,798 S \* 11/2013 Thurber ..... D12/91  
 D692,799 S \* 11/2013 Smith ..... D12/92  
 D696,157 S 12/2013 Loeb  
 D699,629 S 2/2014 Ikeda et al.  
 D700,871 S 3/2014 O'Donnell et al.  
 D703,103 S 4/2014 Lee  
 D704,103 S 5/2014 Mack et al.  
 D705,132 S 5/2014 Ware et al.  
 D705,699 S 5/2014 Ware et al.  
 D713,298 S 9/2014 Dyson  
 D713,764 S 9/2014 Ferlazzo et al.  
 D714,696 S \* 10/2014 Yamashita ..... D12/169  
 D716,696 S 11/2014 Thole et al.  
 D716,706 S 11/2014 Thole et al.  
 D716,709 S 11/2014 Thole et al.  
 D717,696 S 11/2014 Thole et al.  
 D718,189 S 11/2014 Krieg et al.  
 D718,683 S 12/2014 Thole et al.

D722,282 S 2/2015 Loeb  
 D722,533 S 2/2015 Thole et al.  
 D722,534 S 2/2015 Munson et al.  
 D724,510 S 3/2015 McMahan et al.  
 D725,001 S 3/2015 McMahan et al.  
 D726,591 S \* 4/2015 Jacob ..... D12/91  
 D730,776 S 6/2015 Smart  
 D730,783 S 6/2015 Henriques et al.  
 D732,427 S 6/2015 Loeb  
 D732,429 S 6/2015 Loeb  
 D732,430 S 6/2015 Loeb  
 D732,431 S 6/2015 Loeb  
 D732,432 S 6/2015 Aengenheyster  
 D732,433 S 6/2015 Aengenheyster  
 D732,435 S 6/2015 Mackay  
 D733,002 S 6/2015 Loeb  
 D735,611 S 8/2015 Aengenheyster  
 D735,627 S 8/2015 Smith  
 D736,451 S 8/2015 Smith  
 D739,306 S 9/2015 McMahan et al.  
 D739,317 S 9/2015 McMahan et al.  
 D741,223 S 10/2015 Kim et al.  
 D748,541 S \* 2/2016 Jamieson ..... D12/169  
 D753,034 S \* 4/2016 Thole ..... D12/169  
 D760,631 S \* 7/2016 Choi ..... D12/169  
 D775,007 S \* 12/2016 Thole ..... D12/169

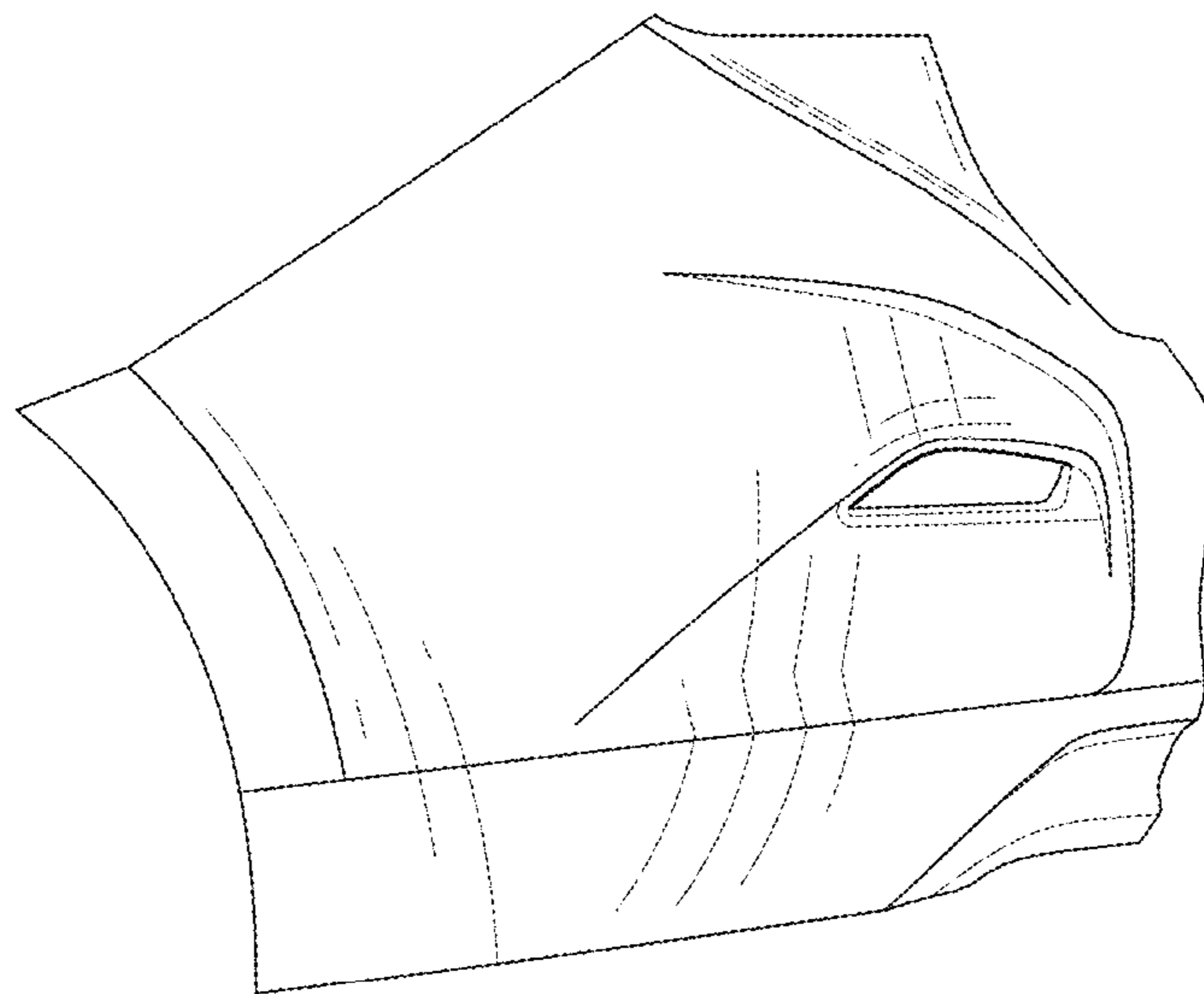
OTHER PUBLICATIONS

Subaruwrxfan, Review 2016 Chevrolet Cruze LT, Apr. 20, 2016, youtube.com [online], [site visited Aug. 3, 2016]. Available from Internet: <<https://www.youtube.com/watch?v=vLlOfj-IdCo>>.\*

\* cited by examiner



*Fig. 1*



*Fig. 2*

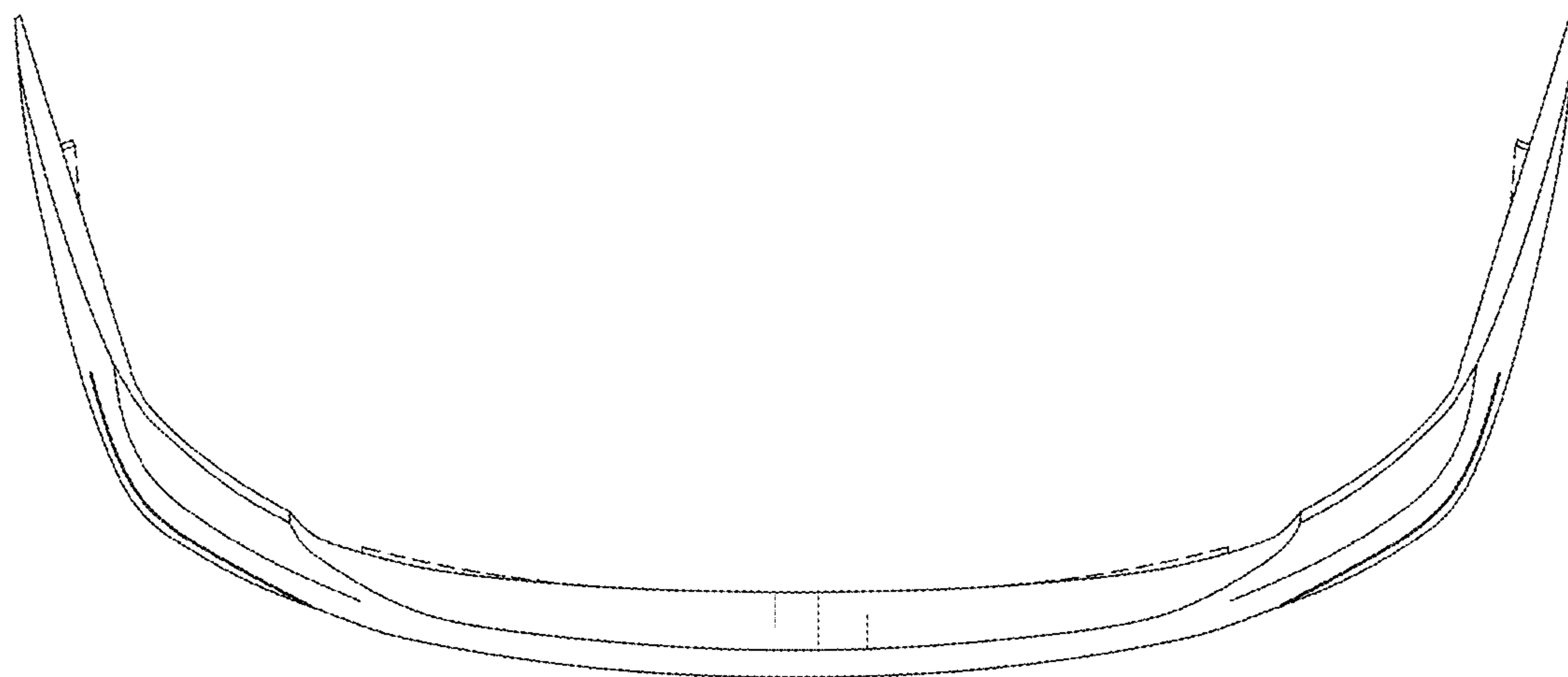


Fig. 3

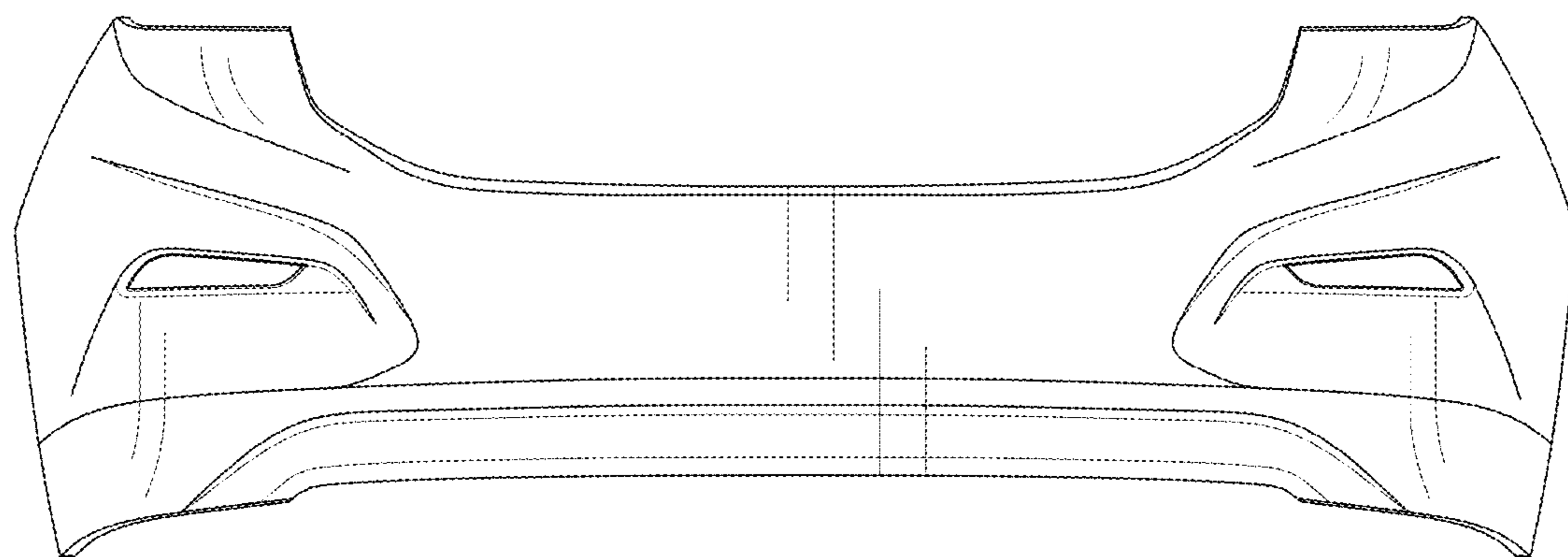


Fig. 4