



US00D787988S

(12) **United States Design Patent** (10) **Patent No.:** **US D787,988 S**
Lee (45) **Date of Patent:** **** May 30, 2017**

(54) **VEHICLE LOWER GRILLE**
(71) Applicant: **GM GLOBAL TECHNOLOGY OPERATIONS LLC**, Detroit, MI (US)
(72) Inventor: **Hwasup Lee**, Rochester Hills, MI (US)
(73) Assignee: **GM Global Technology Operations LLC**, Detroit, MI (US)
(**) Term: **15 Years**
(21) Appl. No.: **29/548,923**
(22) Filed: **Dec. 17, 2015**
(51) **LOC (10) Cl.** **12-16**
(52) **U.S. Cl.**
USPC **D12/163**
(58) **Field of Classification Search**
USPC D12/91, 163-171; D21/313, 433-434;
180/68.1, 68.6
CPC B60K 11/08; B62B 9/16; B60R 19/50;
B62D 25/08
See application file for complete search history.

(56) **References Cited**

U.S. PATENT DOCUMENTS

D421,734 S * 3/2000 Sacco D12/163
D422,249 S * 4/2000 Sacco D12/163
D439,934 S * 4/2001 Wang D21/433
D459,764 S * 7/2002 Hoelzel D21/433
D471,846 S * 3/2003 Pfeiffer D12/163
D507,770 S * 7/2005 Minami D12/163
D513,212 S * 12/2005 Pfeiffer D12/163
7,090,265 B2 * 8/2006 Otte B60R 19/52
180/68.6
D535,224 S * 1/2007 Kubota D12/163
D538,207 S * 3/2007 Pfeiffer D12/163
D539,196 S * 3/2007 Pfeiffer D12/163
7,290,809 B2 * 11/2007 Filip B60R 19/52
180/68.6
D570,742 S 6/2008 Takagi et al.

D583,722 S * 12/2008 Sonoda D12/163
D587,175 S * 2/2009 Bauer D12/163
D592,105 S 5/2009 Dean et al.
D597,447 S 8/2009 Folden
D600,595 S 9/2009 Nakamura et al.
D601,925 S 10/2009 O'Donnell
D602,409 S * 10/2009 Lamm D12/163
D603,755 S 11/2009 Peters
D604,203 S 11/2009 O'Donnell
D604,209 S * 11/2009 Chae D12/163
D605,082 S 12/2009 Munson
D605,083 S 12/2009 Manoogian, II et al.
D605,566 S * 12/2009 Wong D12/163
D605,977 S 12/2009 Zipfel et al.
D605,978 S 12/2009 Wolff et al.
D606,461 S * 12/2009 Richards D12/163
D608,249 S 1/2010 Peters
D608,690 S 1/2010 Folden et al.
D608,691 S 1/2010 Zak, Jr. et al.
D609,608 S 2/2010 Boniface et al.

(Continued)

Primary Examiner — Manpreet Matharu
Assistant Examiner — Keith Wilson
(74) *Attorney, Agent, or Firm* — Reising Ethington P.C.

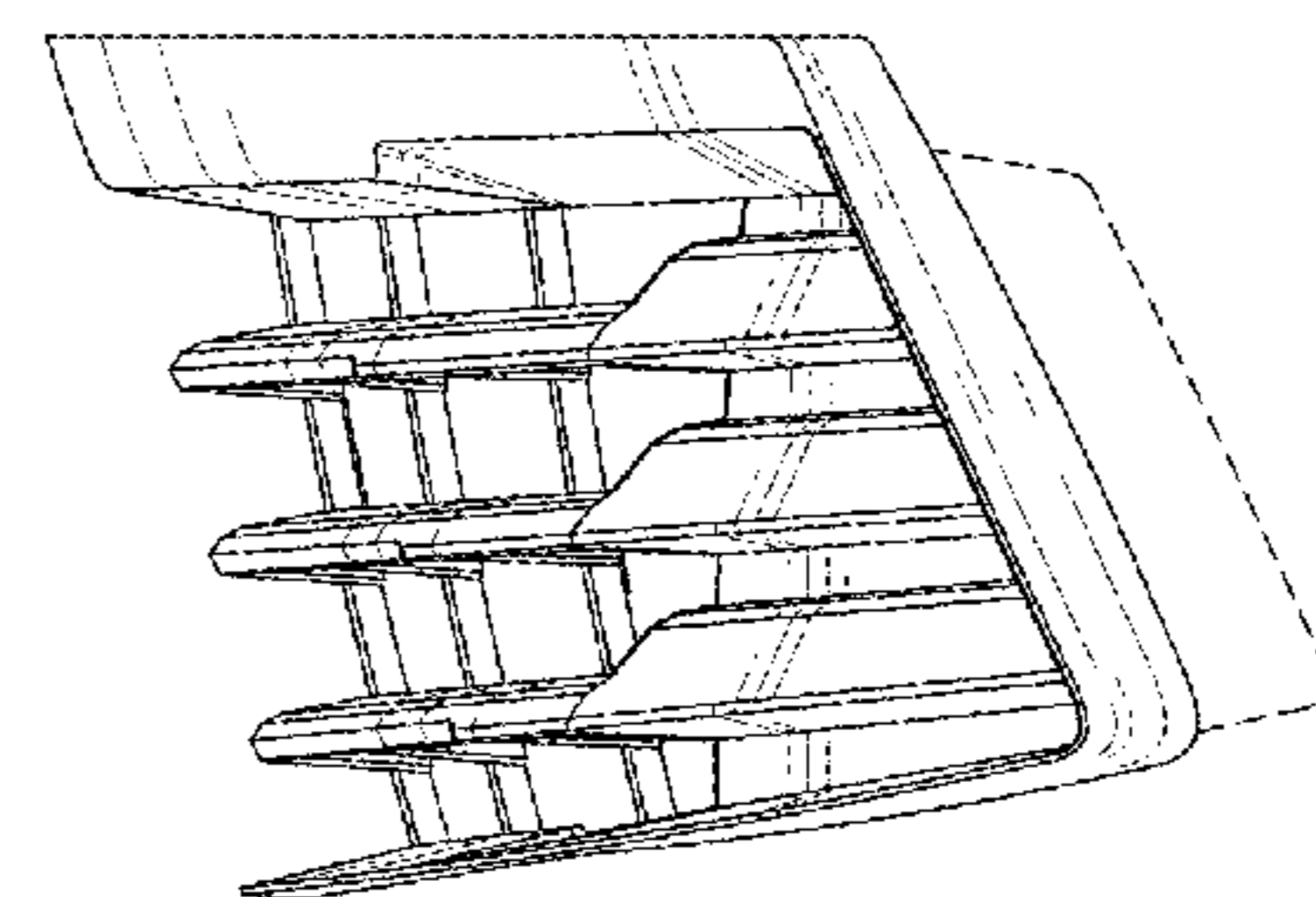
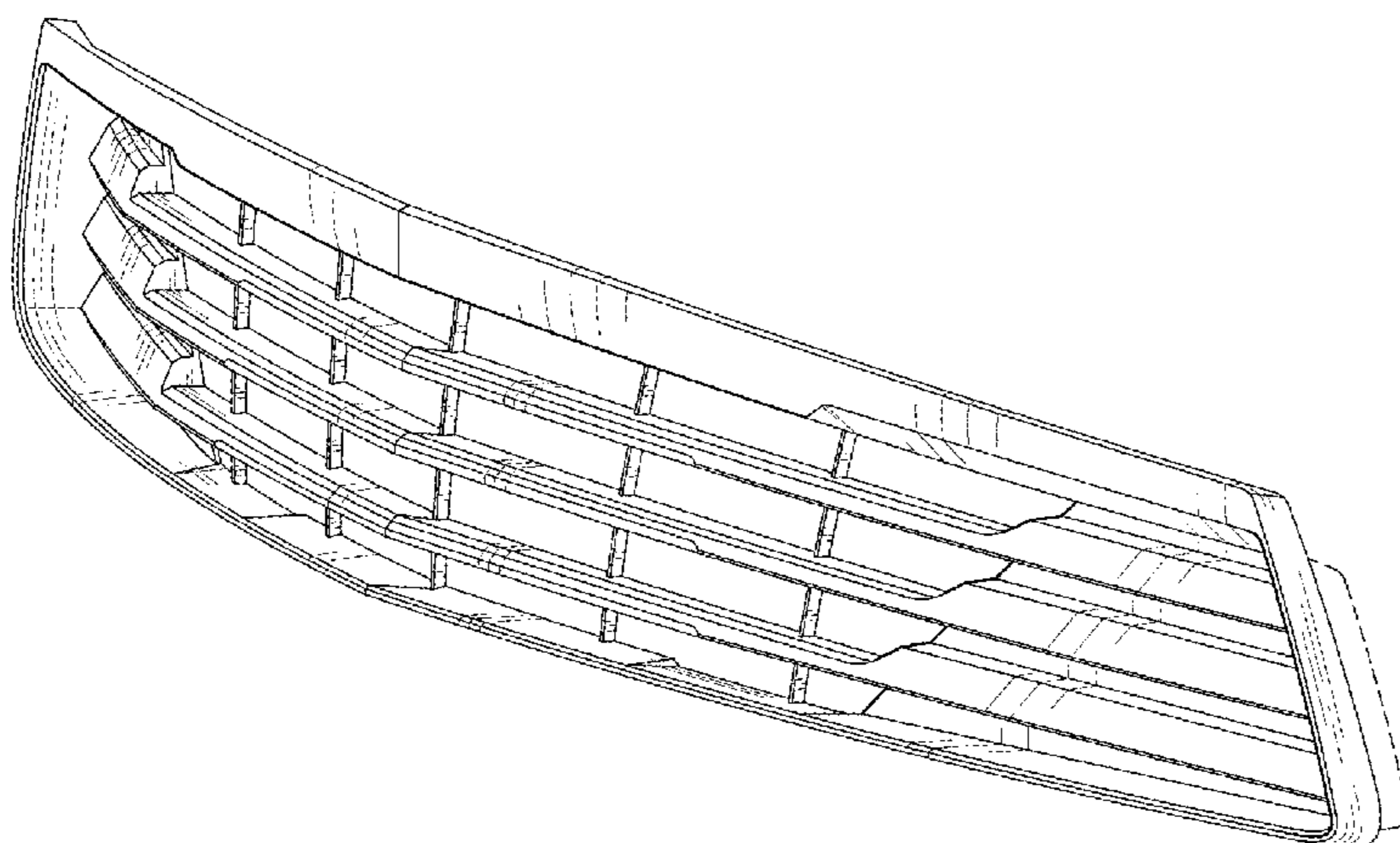
(57) **CLAIM**

The ornamental design for a vehicle lower grille, as shown and described.

DESCRIPTION

FIG. 1 is a perspective view of the vehicle lower grille; FIG. 2 is a front view thereof; FIG. 3 is a left side elevation view thereof (where the right side elevation view is omitted since the right side elevation view is a mirror image to the left side elevation view); and, FIG. 4 is a bottom plan view thereof. The broken lines shown depict environment only and form no part of the claimed design.

1 Claim, 2 Drawing Sheets



(56)

References Cited

U.S. PATENT DOCUMENTS

D611,387 S	3/2010	Thompson et al.	D716,709 S	11/2014	Thole et al.
D611,879 S	3/2010	Kim et al.	D717,696 S	11/2014	Thole et al.
D612,297 S	3/2010	Peters et al.	D718,189 S	11/2014	Krieg et al.
D613,645 S	4/2010	Song et al.	D718,683 S	12/2014	Thole et al.
D614,543 S *	4/2010	Kitazumi D12/163	D720,263 S *	12/2014	Pevovar D12/163
D615,458 S	5/2010	Thompson et al.	D722,282 S	2/2015	Loeb
D616,342 S *	5/2010	Kim D12/163	D722,533 S	2/2015	Thole et al.
D618,595 S	6/2010	Ware et al.	D722,534 S	2/2015	Munson et al.
D623,090 S	9/2010	Cox et al.	D724,510 S	3/2015	McMahan et al.
D627,262 S	11/2010	Ikeda et al.	D725,001 S	3/2015	McMahan et al.
D635,488 S	4/2011	Phipps	D726,591 S	4/2015	Jacob
D644,147 S	8/2011	Suh et al.	D726,598 S *	4/2015	Rupar D12/163
D644,567 S	9/2011	Kozub	D730,776 S	6/2015	Smart
D657,718 S	4/2012	Zipfel et al.	D730,783 S	6/2015	Henriques et al.
D659,052 S	5/2012	Ware et al.	D732,427 S	6/2015	Loeb
D659,053 S	5/2012	Ware et al.	D732,429 S	6/2015	Loeb
D668,182 S	10/2012	Barba Franco et al.	D732,430 S	6/2015	Loeb
D668,183 S	10/2012	Smart	D732,431 S	6/2015	Loeb
D678,820 S	3/2013	Son et al.	D732,432 S	6/2015	Aengenheyster
D678,821 S	3/2013	Ikeda et al.	D732,433 S	6/2015	Aengenheyster
D680,909 S	4/2013	Munson et al.	D732,435 S	6/2015	Mackay
D680,910 S	4/2013	David	D733,002 S	6/2015	Loeb
D684,899 S	6/2013	Baker	D735,611 S	8/2015	Aengenheyster
D686,536 S	7/2013	McCabe et al.	D735,627 S	8/2015	Smith
D687,749 S *	8/2013	Fetherston D12/163	D736,451 S	8/2015	Smith
D687,750 S *	8/2013	Frei D12/163	D739,306 S	9/2015	McMahan et al.
D692,798 S	11/2013	Thurber	D739,317 S	9/2015	McMahan et al.
D692,799 S	11/2013	Smith et al.	D741,223 S	10/2015	Kim et al.
D692,804 S *	11/2013	Song D12/163	D743,309 S	11/2015	Thole et al.
D696,157 S	12/2013	Loeb	D743,313 S	11/2015	Smith et al.
D699,629 S	2/2014	Ikeda et al.	D743,314 S	11/2015	Thole et al.
D700,871 S	3/2014	O'Donnell et al.	D743,857 S	11/2015	McMahan et al.
D703,103 S	4/2014	Lee	D744,158 S	11/2015	Willett et al.
D703,108 S *	4/2014	Futschik D12/163	D745,086 S	12/2015	Finos et al.
D704,103 S	5/2014	Mack et al.	D745,719 S	12/2015	Boniface et al.
D705,132 S	5/2014	Ware et al.	D745,725 S	12/2015	McMahan et al.
D705,699 S	5/2014	Ware et al.	D745,726 S	12/2015	McMahan et al.
D708,991 S *	7/2014	Matsuno D12/163	D746,729 S *	1/2016	Boniface D12/163
D713,298 S	9/2014	Dyson	D755,088 S *	5/2016	McMahan D12/163
D713,764 S	9/2014	Ferlazzo et al.	2015/0183313 A1 *	7/2015	Bruckner B60K 11/02 180/68.1
D716,696 S	11/2014	Thole et al.	2016/0137053 A1 *	5/2016	Dubey B60K 11/08 180/68.1
D716,706 S	11/2014	Thole et al.			

* cited by examiner

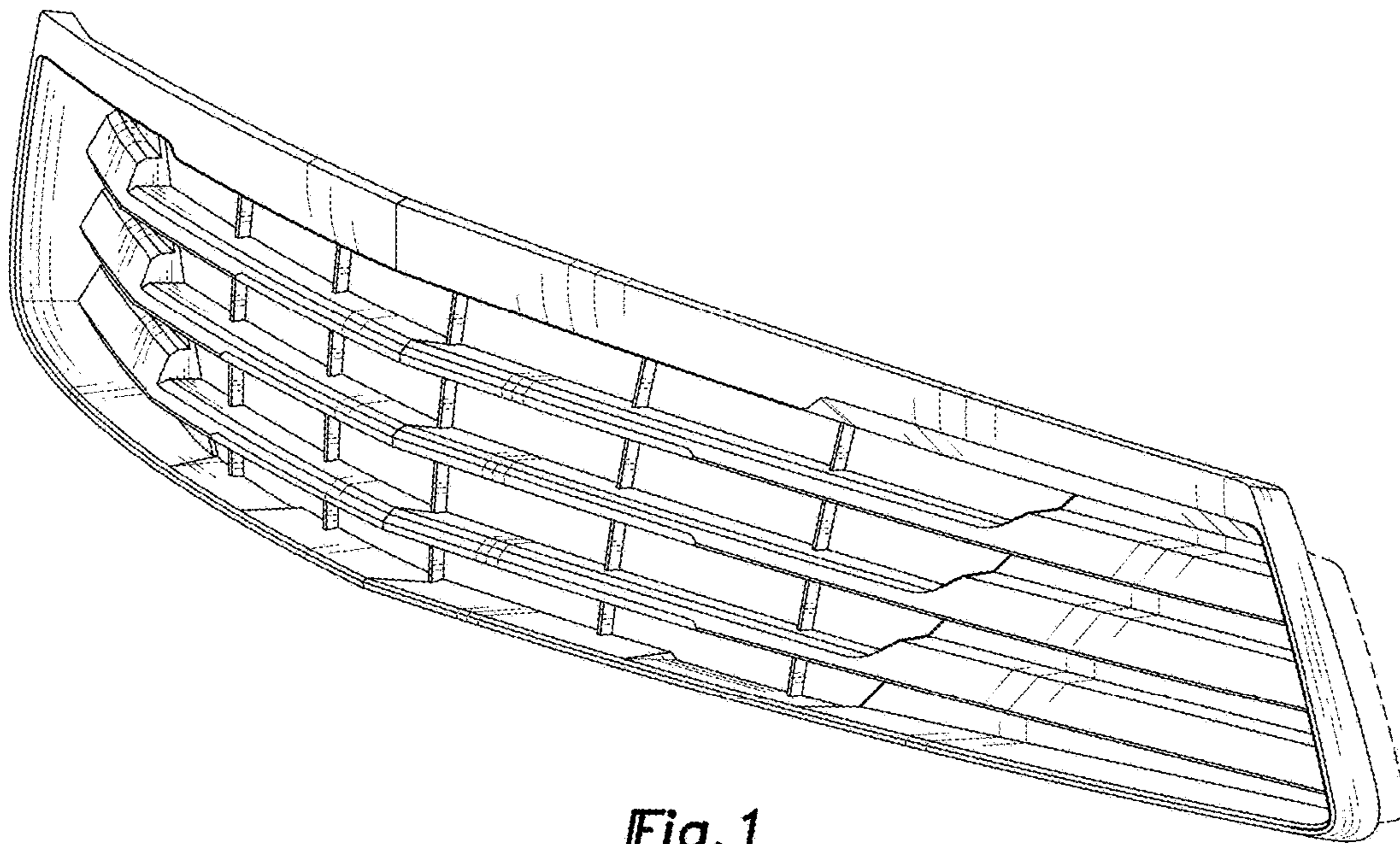


Fig. 1

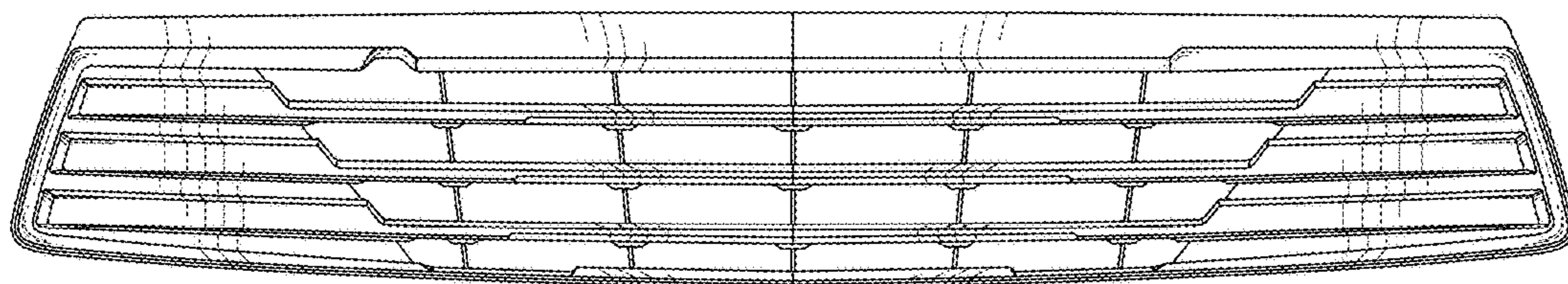


Fig. 2

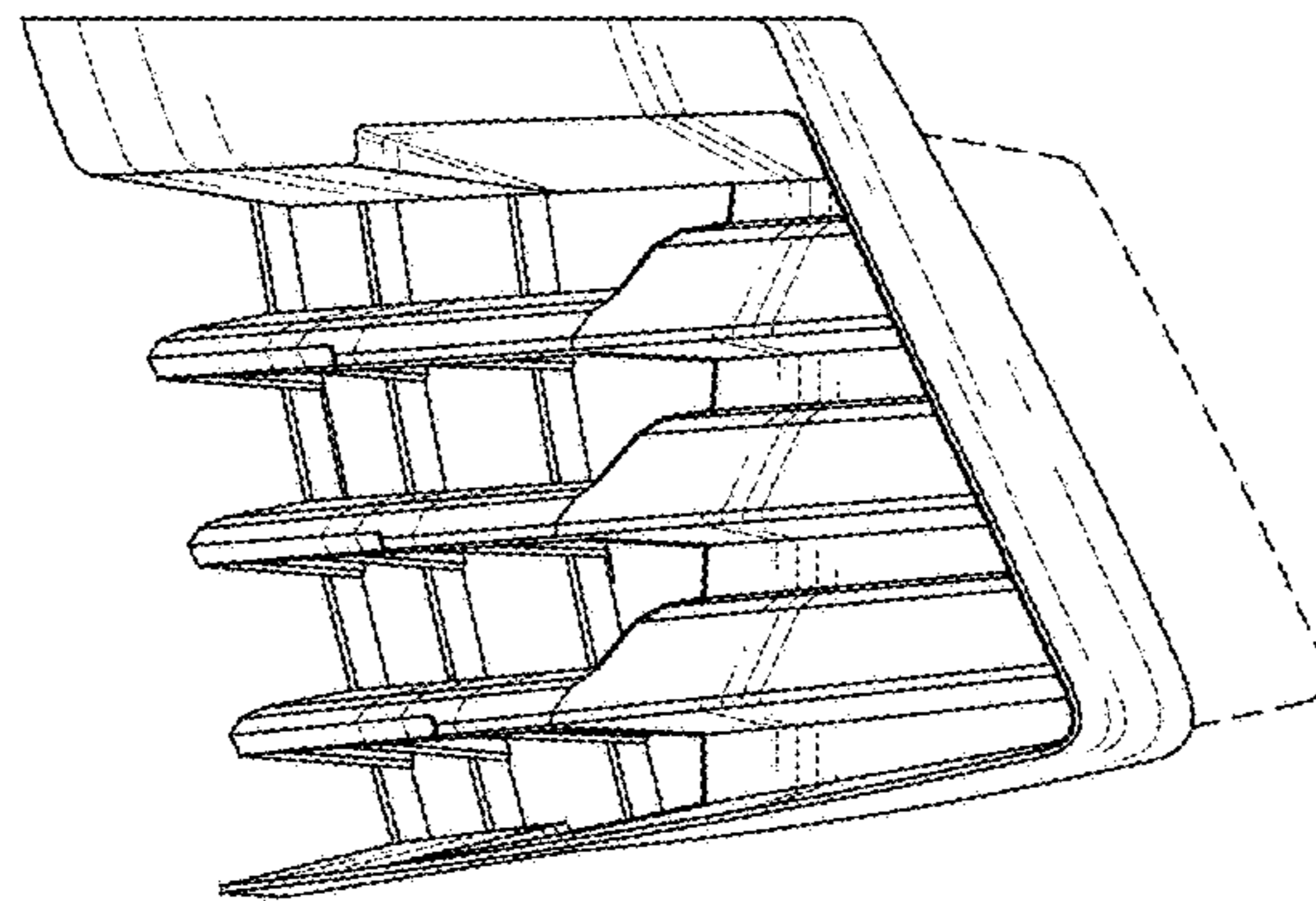


Fig. 3

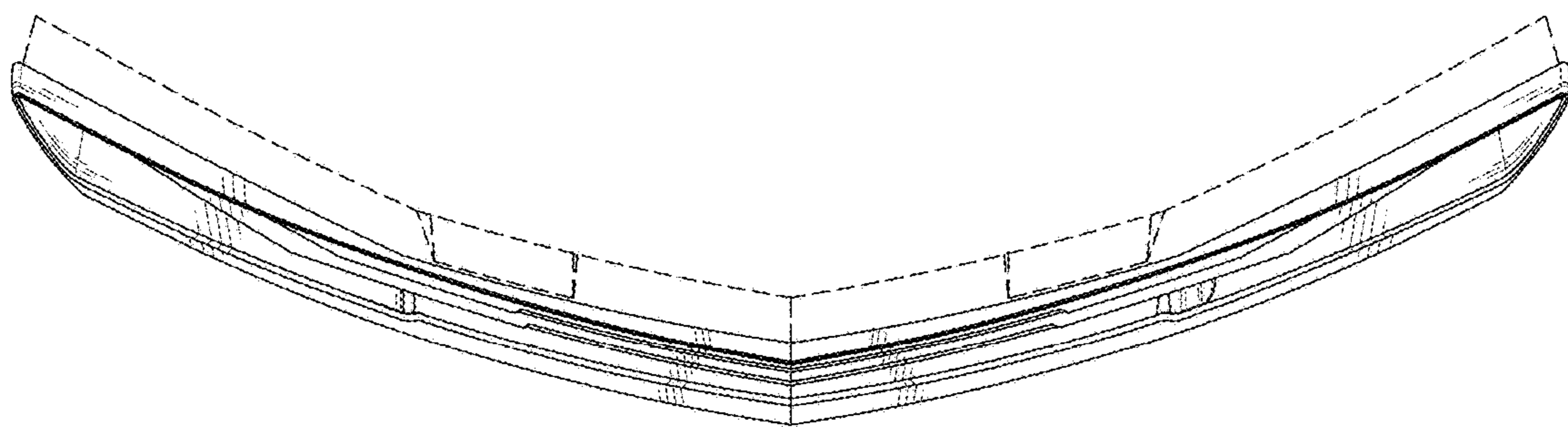


Fig. 4