



US00D787987S

(12) **United States Design Patent**  
**Kuennen**

(10) **Patent No.:** **US D787,987 S**  
(45) **Date of Patent:** **\*\* May 30, 2017**

(54) **BABY CARRIAGE FRAME**

FOREIGN PATENT DOCUMENTS

(71) Applicant: **Milk Holding B.V.**, Amsterdam (NL)  
(72) Inventor: **Emile Gerardus Theodorus Kuennen**,  
Amsterdam (NL)  
(73) Assignee: **Milk Holding B.V.**, Amsterdam (NL)  
(\*\*) Term: **15 Years**

EP	000412085-0001	7/2005
EP	000412085-0003	7/2005
EP	000412085-0004	7/2005
EP	000412085-0006	7/2005
EP	001709247-0001	5/2010
EP	001709247-0002	5/2010
EP	001709247-0003	5/2010
EP	001709247-0004	5/2010
EP	2694273-0001	5/2015
EP	2694273-0002	5/2015
EP	002694273-0003	5/2015

(21) Appl. No.: **29/544,483**

OTHER PUBLICATIONS

(22) Filed: **Nov. 4, 2015**

Office Action from U.S. Appl. No. 29/544,481 dated Oct. 5, 2016.

(51) **LOC (10) Cl.** ..... **12-12**

\* cited by examiner

(52) **U.S. Cl.**

USPC ..... **D12/129**

*Primary Examiner* — Charles Hanson

(58) **Field of Classification Search**

USPC ..... D12/128–133

CPC ..... B62B 7/00–7/04; B62B 9/00–9/28

See application file for complete search history.

(74) *Attorney, Agent, or Firm* — Swanson & Bratschun,  
L.L.C.

(57) **CLAIM**

The ornamental design for a baby carriage frame, as shown  
and described.

(56) **References Cited**

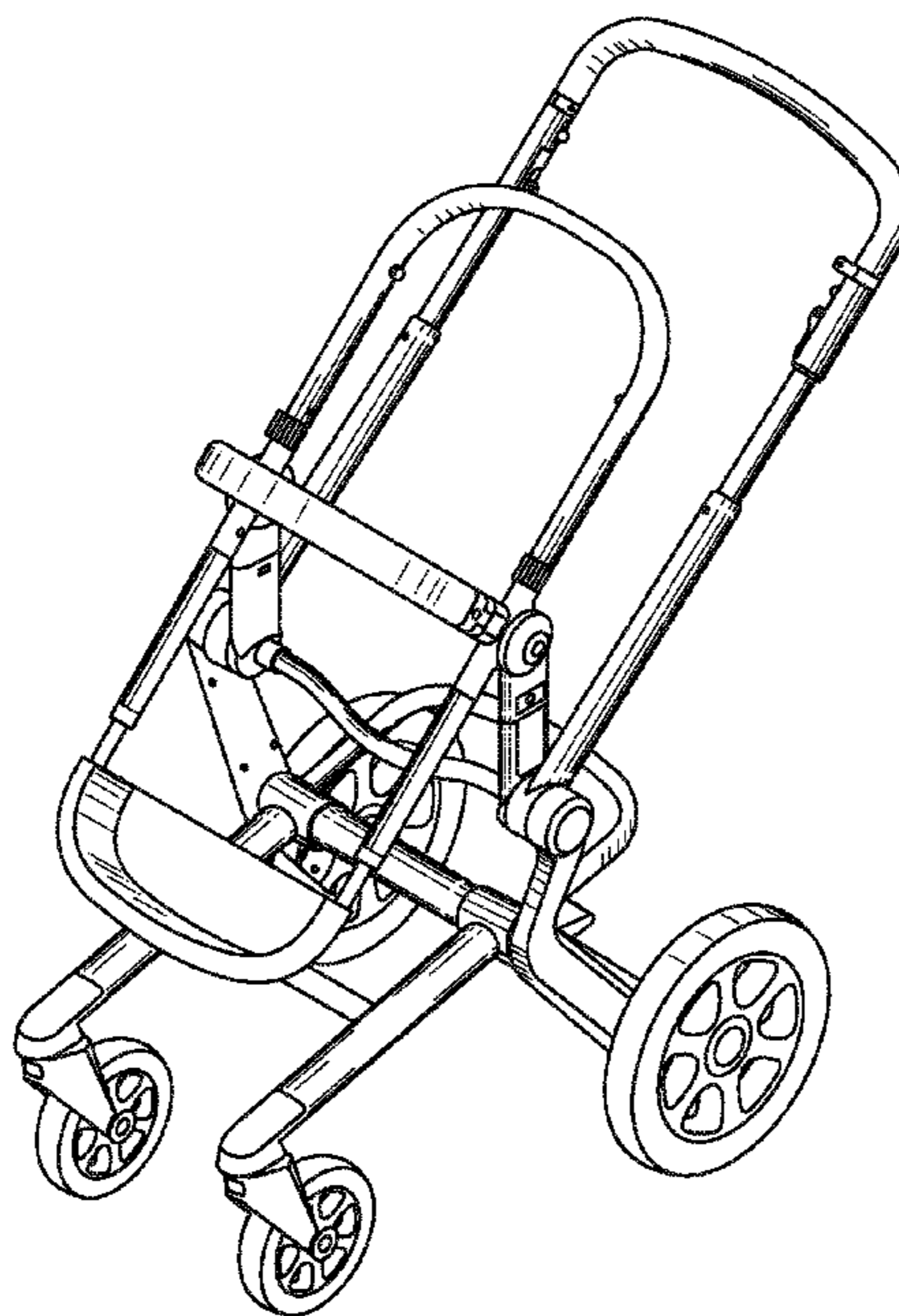
**DESCRIPTION**

U.S. PATENT DOCUMENTS

D566,013 S *	4/2008	Wang	.....	D12/129
D579,827 S *	11/2008	Lake	.....	D12/129
D580,306 S *	11/2008	Chen	.....	D12/129
D580,828 S *	11/2008	Chen	.....	D12/129
D616,339 S *	5/2010	Kho	.....	D12/129
D643,786 S *	8/2011	Barenbrug	.....	D12/129
D672,692 S *	12/2012	Jane Santamaria	.....	D12/129
D715,702 S *	10/2014	Chen	.....	D12/129
D721,015 S *	1/2015	Bassan	.....	D12/129
D737,733 S *	9/2015	Zhong	.....	D12/129
D742,792 S *	11/2015	Goldberg	.....	D12/129
D765,555 S *	9/2016	Lai	.....	D12/129

FIG. 1 is a left side elevation view of a baby carriage frame  
showing our new design in a stroller configuration, the right  
side elevation view being a mirror image thereof;  
FIG. 2 is a left, rear, top perspective thereof;  
FIG. 3 is a left, front, top perspective view thereof;  
FIG. 4 is a rear elevation view thereof;  
FIG. 5 is a front elevation view thereof; and,  
FIG. 6 is a left side elevation view of the baby carriage frame  
of FIG. 1 in a fully folded configuration.

**1 Claim, 6 Drawing Sheets**



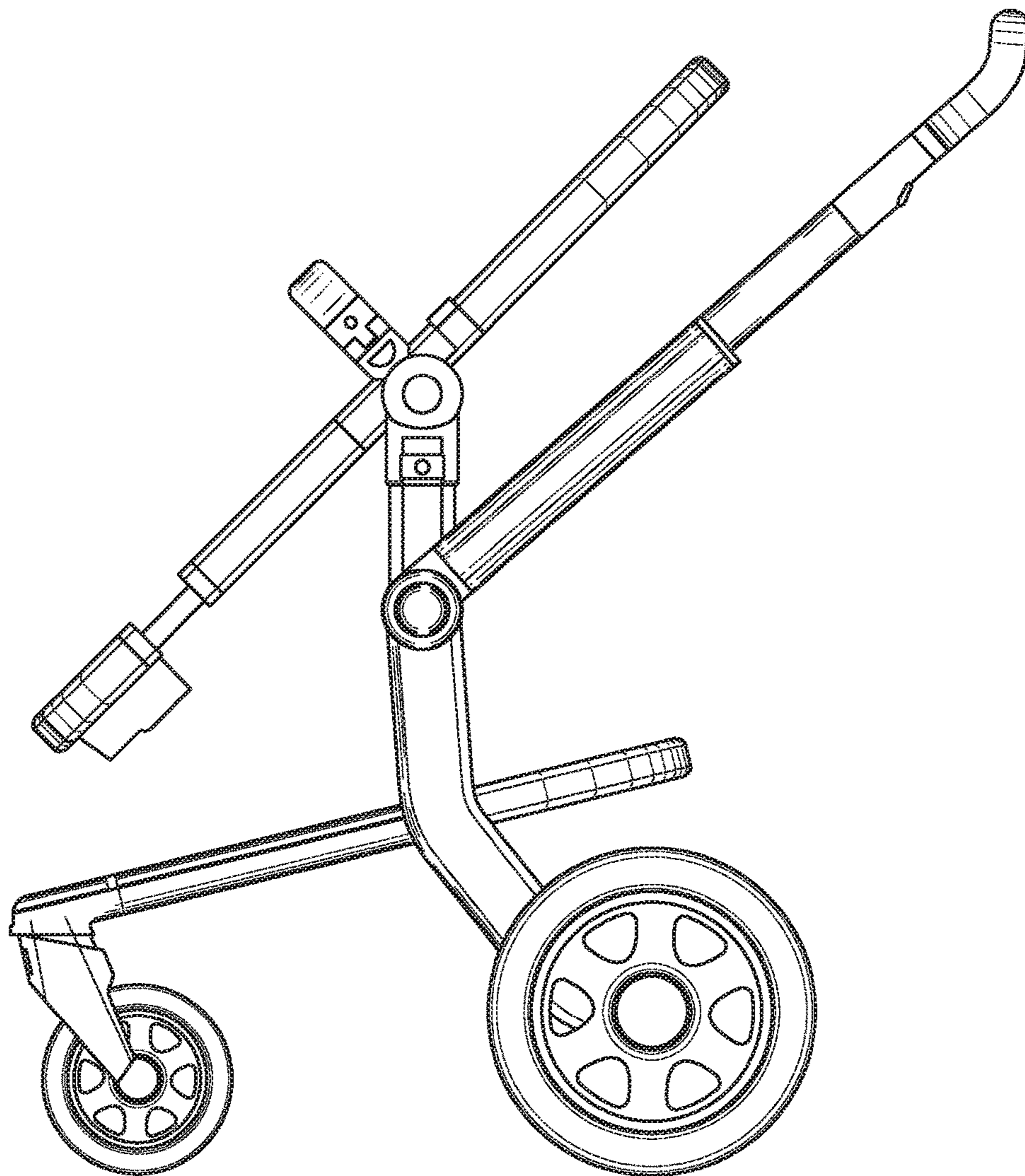


Fig. 1

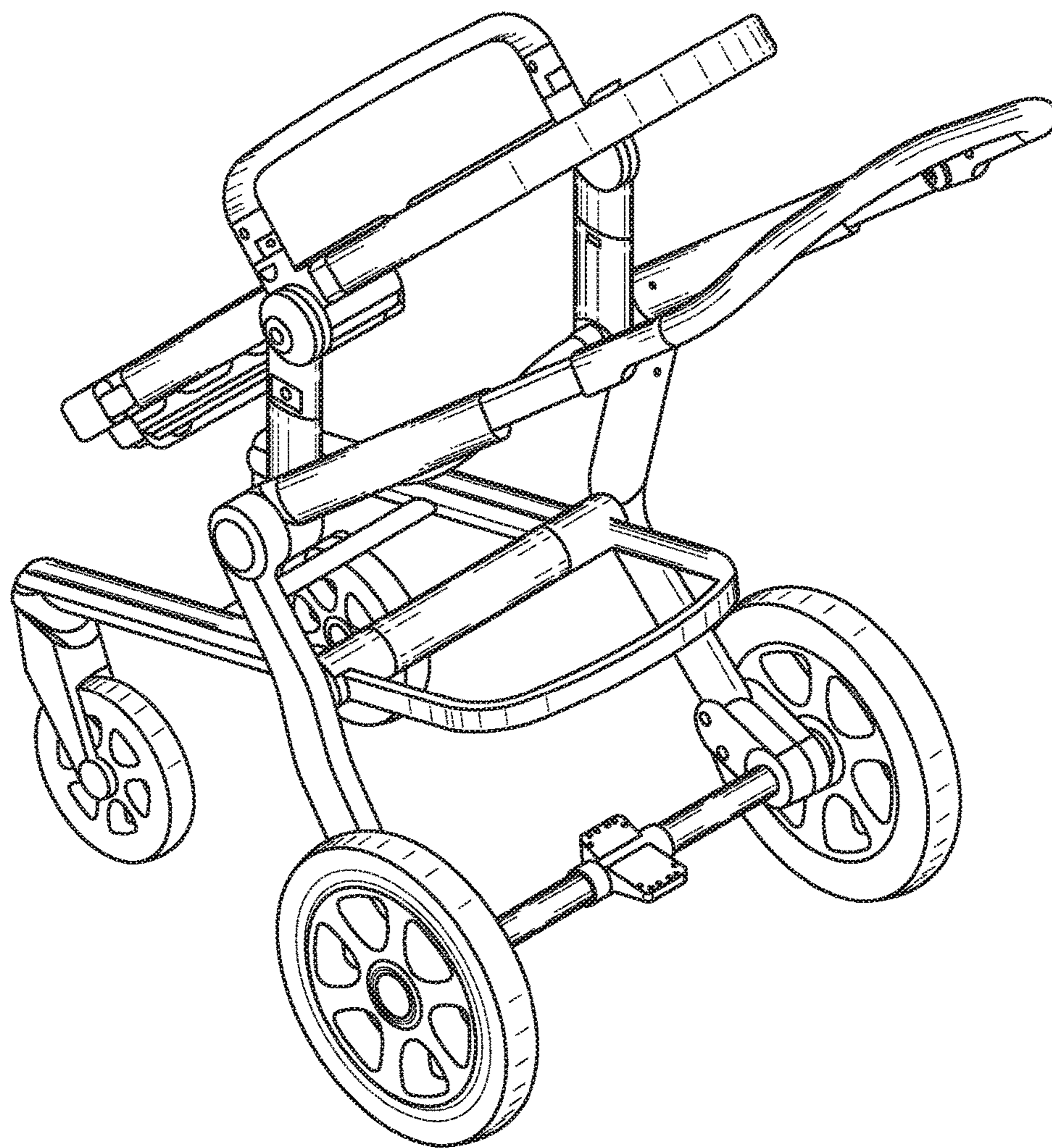


Fig. 2

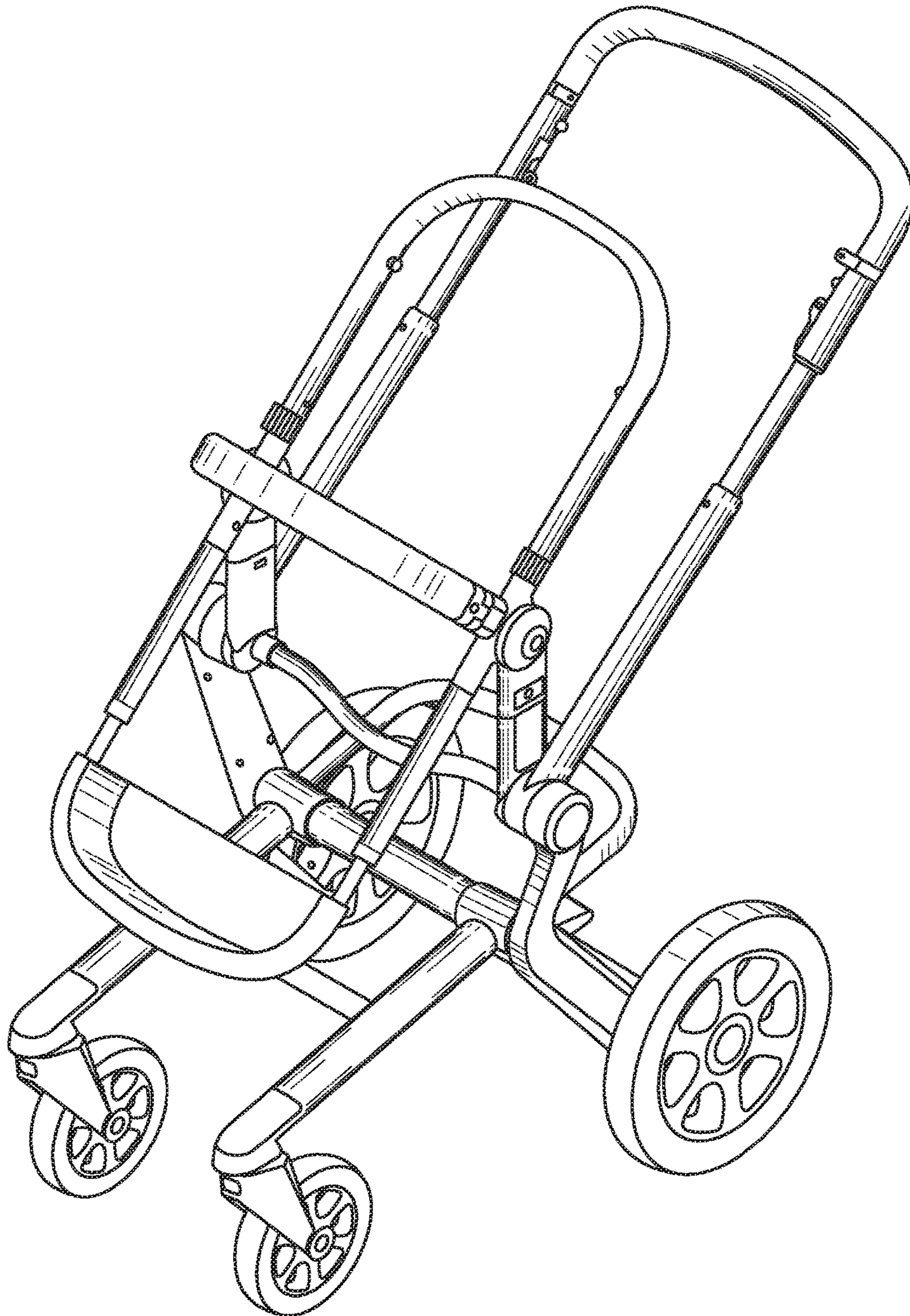


Fig. 3

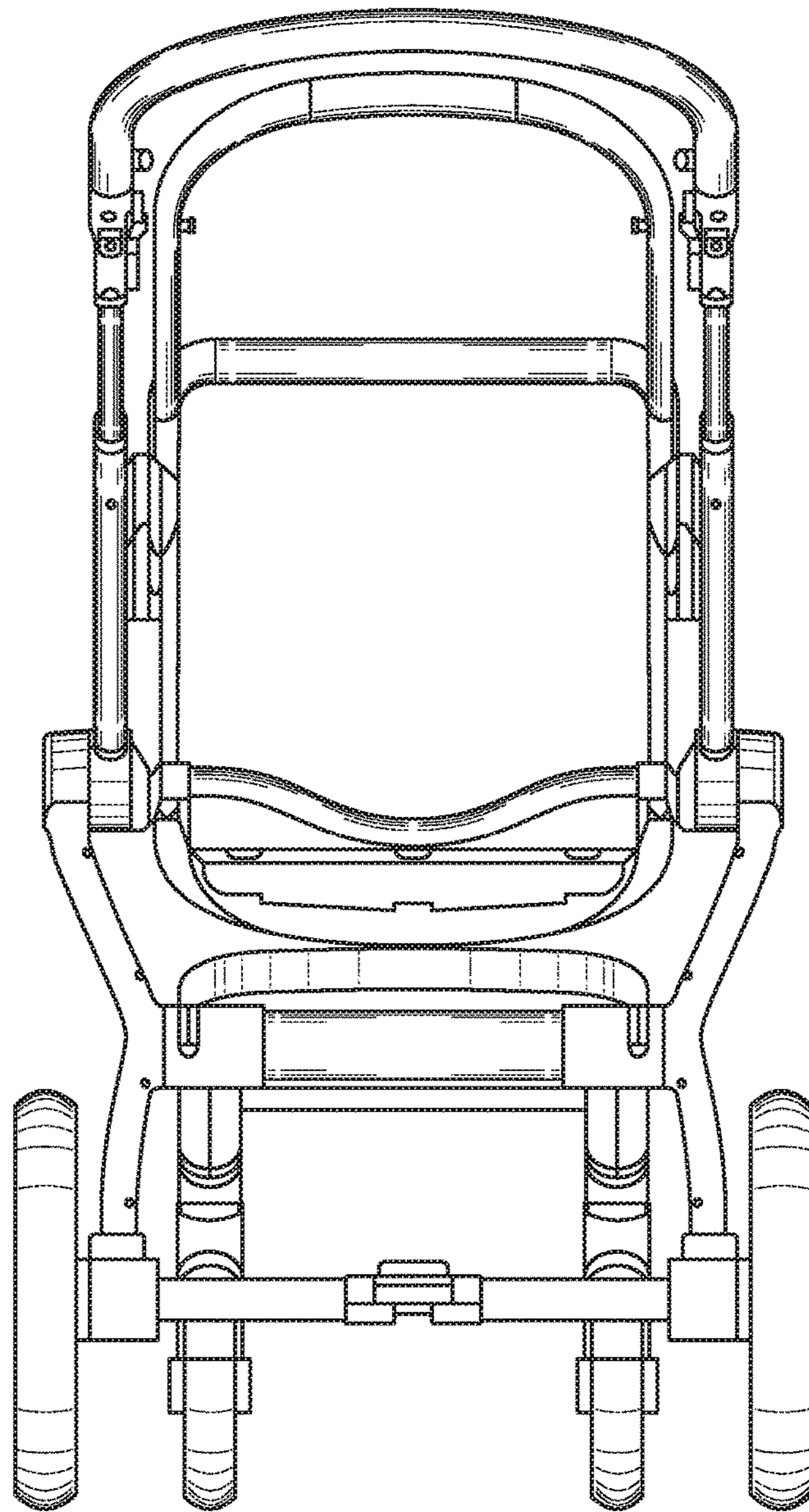


Fig. 4

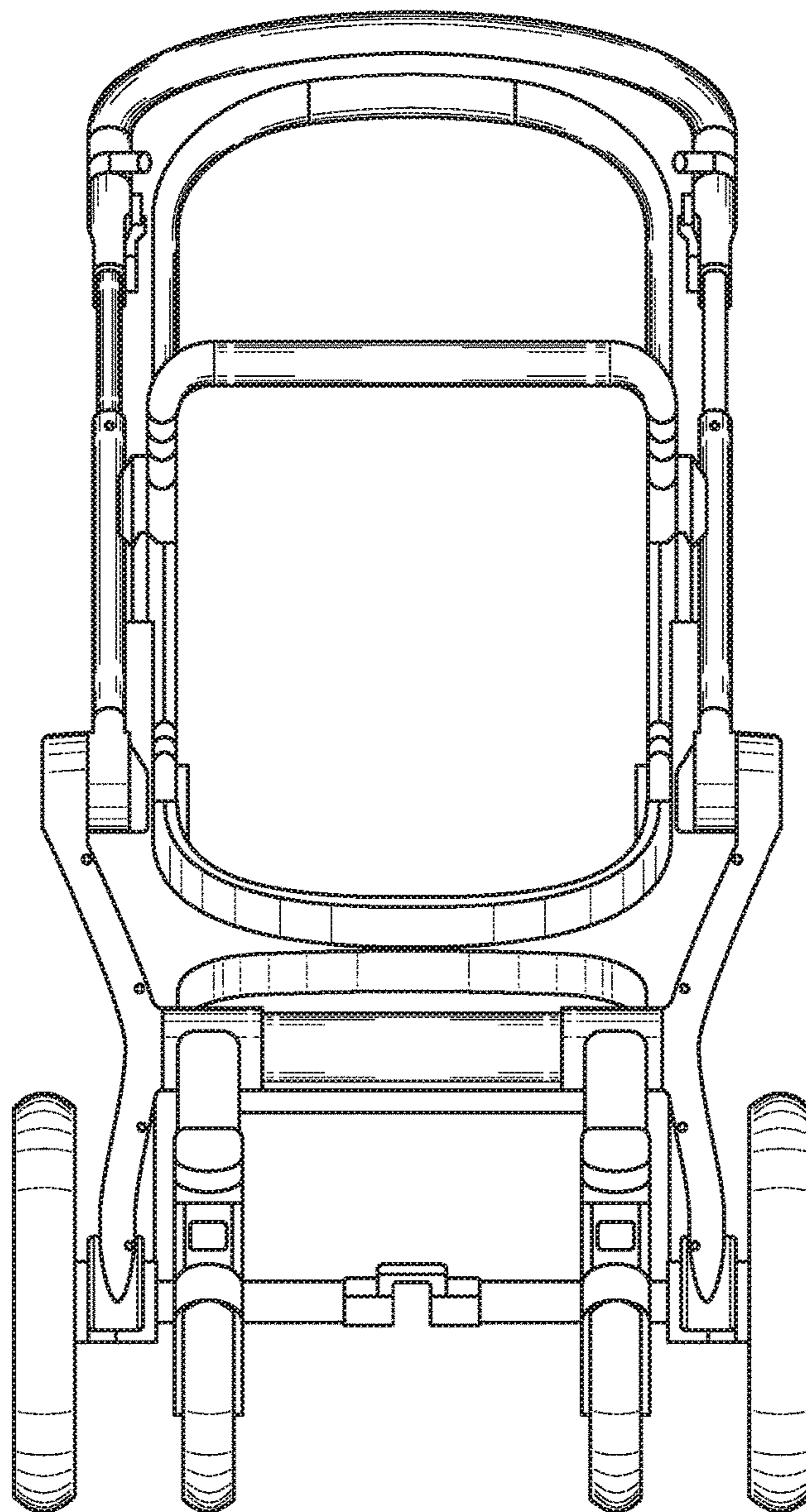


Fig. 5

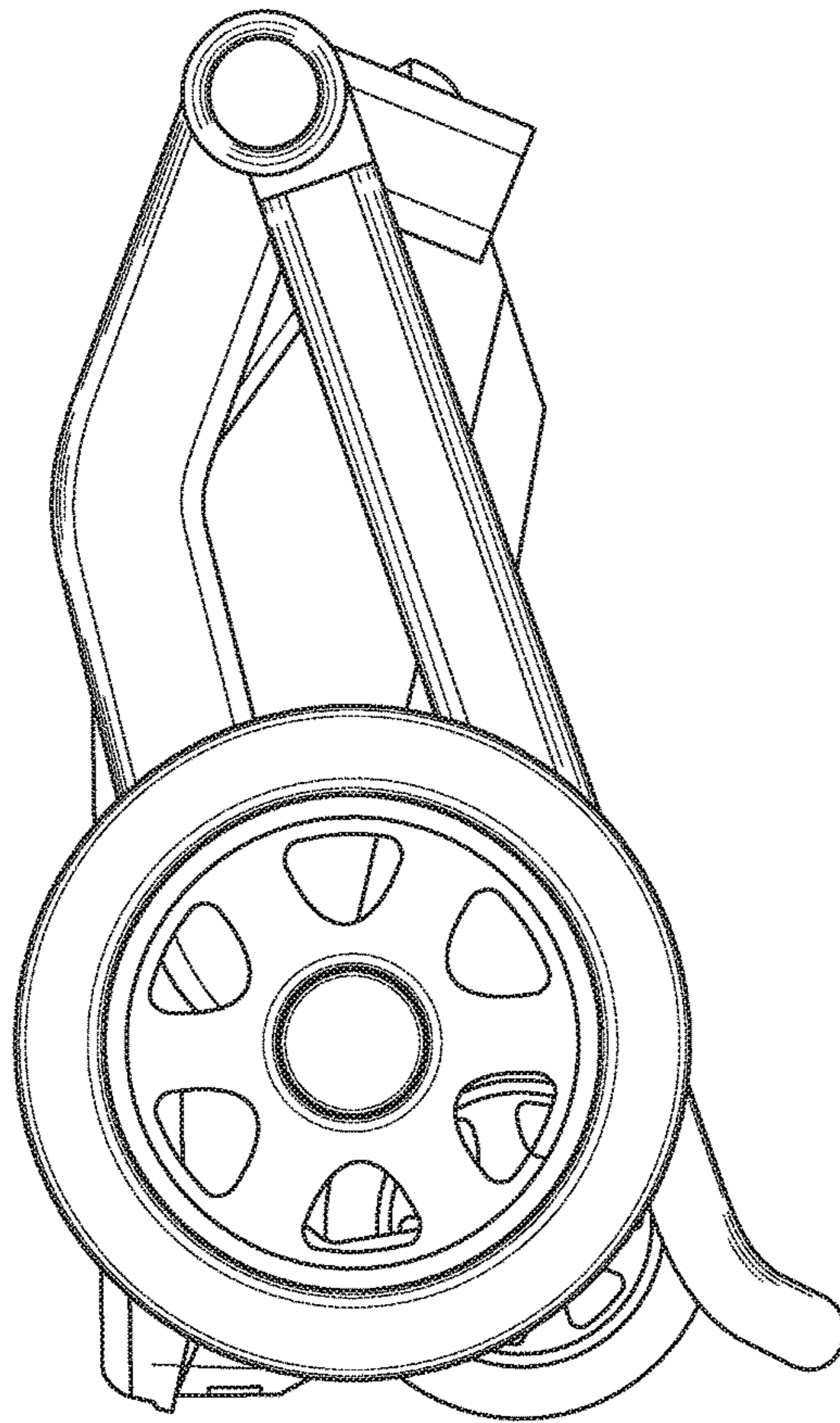


Fig. 6