



US00D787976S

(12) **United States Design Patent** (10) **Patent No.:** **US D787,976 S**
Jimenez et al. (45) **Date of Patent:** **** May 30, 2017**

(54) **BARBELL CROSS PENDANT**

OTHER PUBLICATIONS

(71) Applicant: **All in Faith Jewelry, LLC**, Austin, TX (US)

[Online] <https://cdn.shopify.com/s/files/1/1546/1365/products/AIF-ProductPhotos-Resized-11.jpg?v=1479927291>. Retrieved Mar. 17, 2017.*

(72) Inventors: **Adam Jimenez**, Waco, TX (US);
Robert Jimenez, Waco, TX (US)

* cited by examiner

(73) Assignee: **All in Faith Jewelry, LLC**, Austin, TX (US)

Primary Examiner — Melanie Pellegrini

(74) *Attorney, Agent, or Firm* — Cesari & Reed LLP; R. Michael Reed

(**) Term: **15 Years**

(57) **CLAIM**

The ornamental design for a barbell cross pendant, as shown and described.

(21) Appl. No.: **29/583,463**

DESCRIPTION

(22) Filed: **Nov. 4, 2016**

(51) **LOC (10) Cl.** **11-01**

(52) **U.S. Cl.**

USPC **D11/81**; D11/96

(58) **Field of Classification Search**

USPC ... D11/1, 2, 7, 8, 79-86, 43, 44, 48, 96, 99;
D99/27

CPC A44C 1/00; A44C 7/002; A44C 15/001;
A44C 15/005; A44C 25/00; A44C 25/001;
A44C 25/002; A44C 25/004;
A44C 25/005; A44C 25/007

See application file for complete search history.

FIG. 1 is a front view of a barbell cross pendant, according to the present disclosure;

FIG. 2 is a front perspective view of the barbell cross pendant of FIG. 1;

FIG. 3 is a front angled perspective view of the barbell cross pendant of FIG. 1;

FIG. 4 is a left side perspective view of the barbell cross pendant of FIG. 1;

FIG. 5 is a left side view of the barbell cross pendant of FIG. 1;

FIG. 6 is a right side view of the barbell cross pendant of FIG. 1;

FIG. 7 is a rear perspective view of the barbell cross pendant of FIG. 1;

FIG. 8 is a top view of the barbell cross pendant of FIG. 1;

FIG. 9 is a bottom view of the barbell cross pendant of FIG. 1; and,

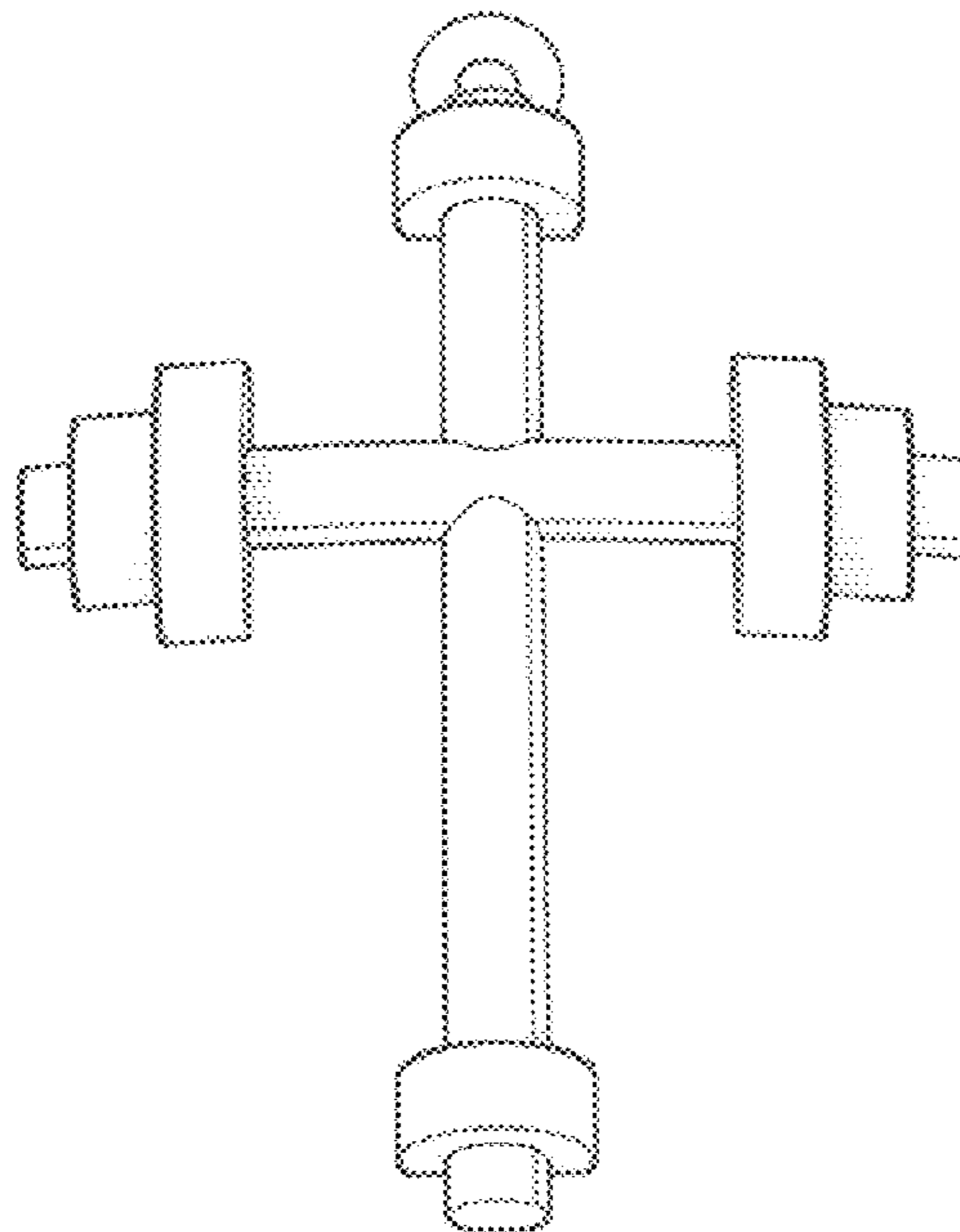
FIG. 10 is a rear view of the barbell cross pendant of FIG. 1.

(56) **References Cited**

U.S. PATENT DOCUMENTS

D252,805 S * 9/1979 Mitchum D11/75
D536,636 S * 2/2007 Dobbins D11/133
D746,168 S * 12/2015 Vaughan D11/81

1 Claim, 10 Drawing Sheets



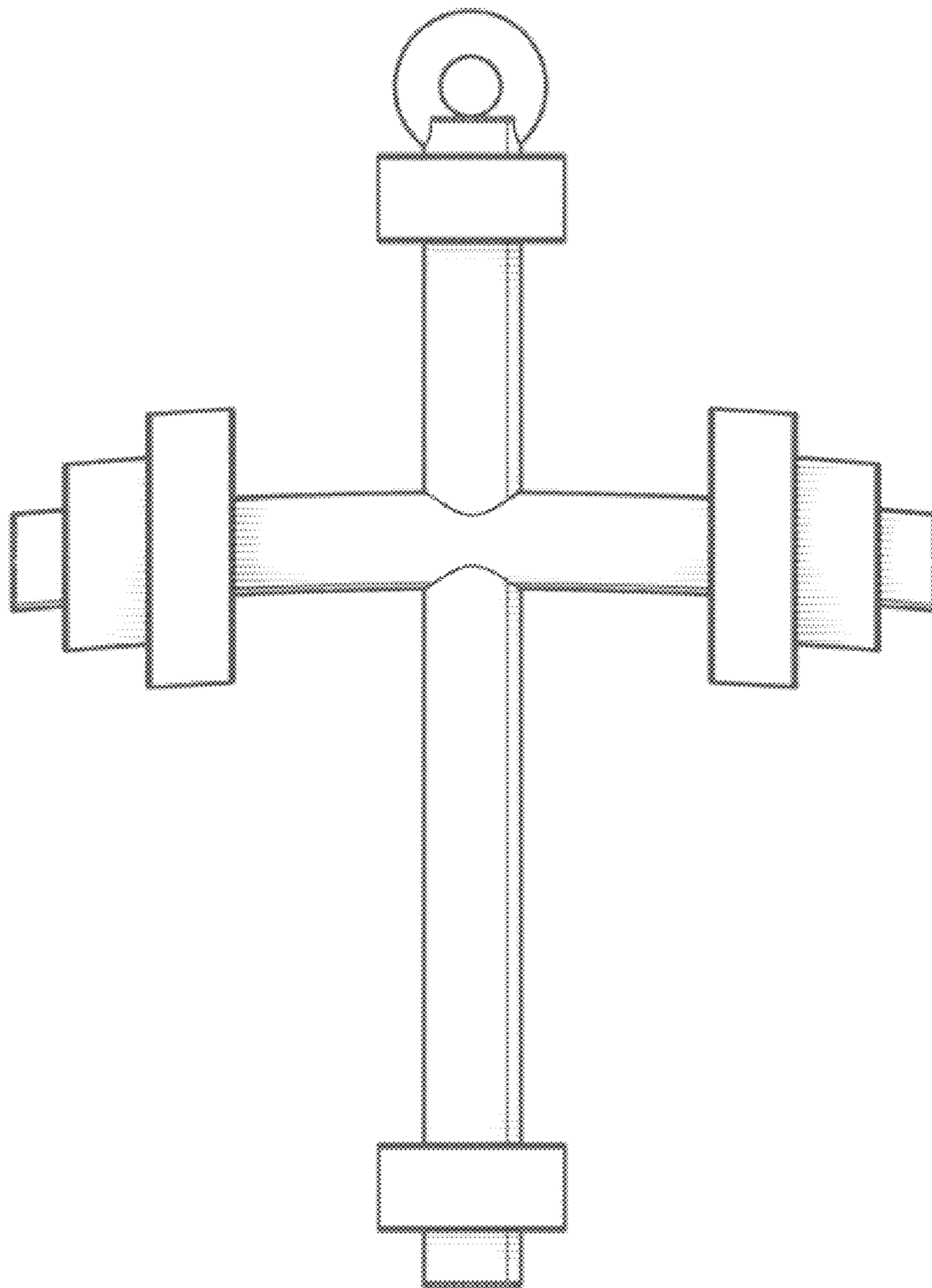


FIG. 1

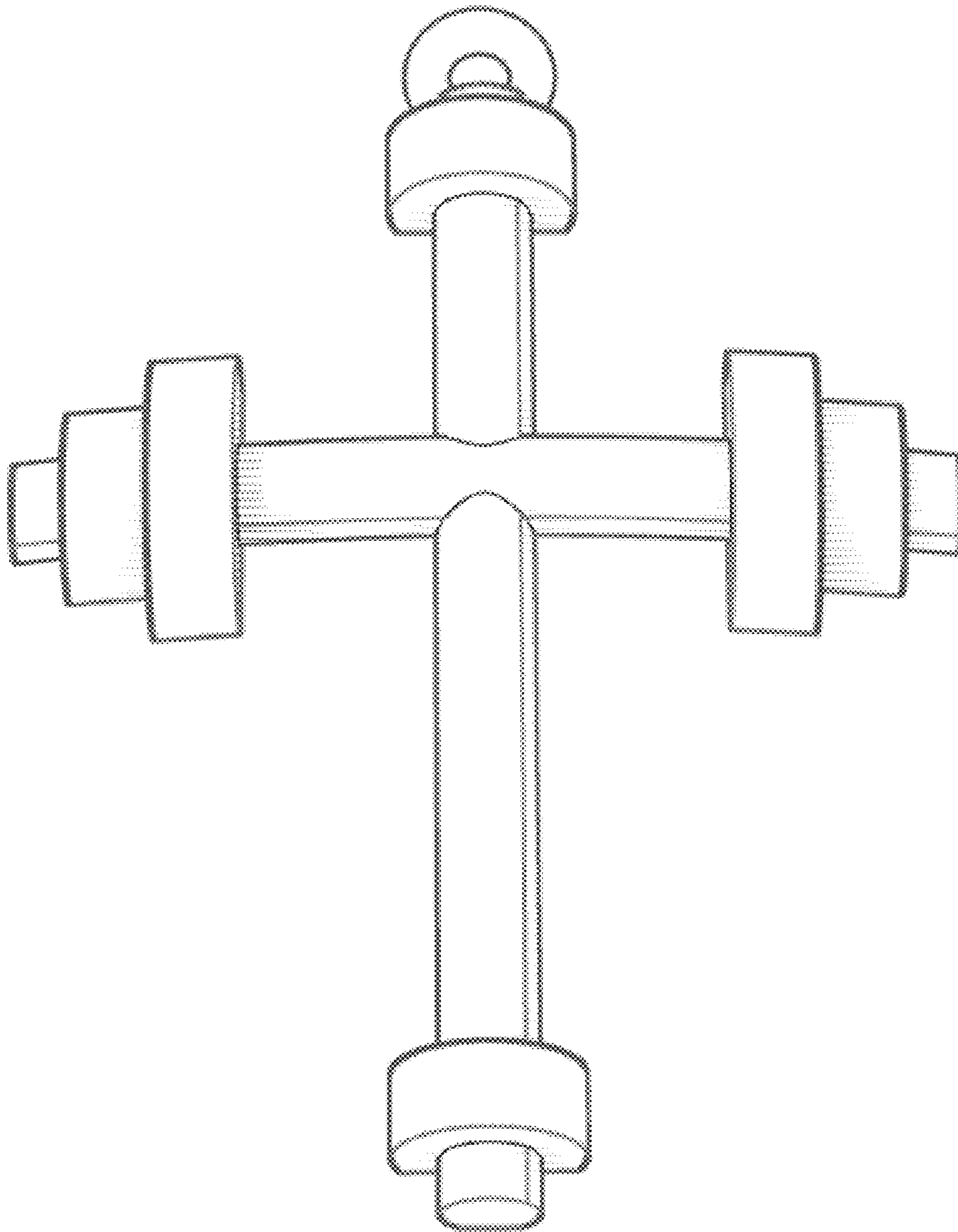


FIG. 2

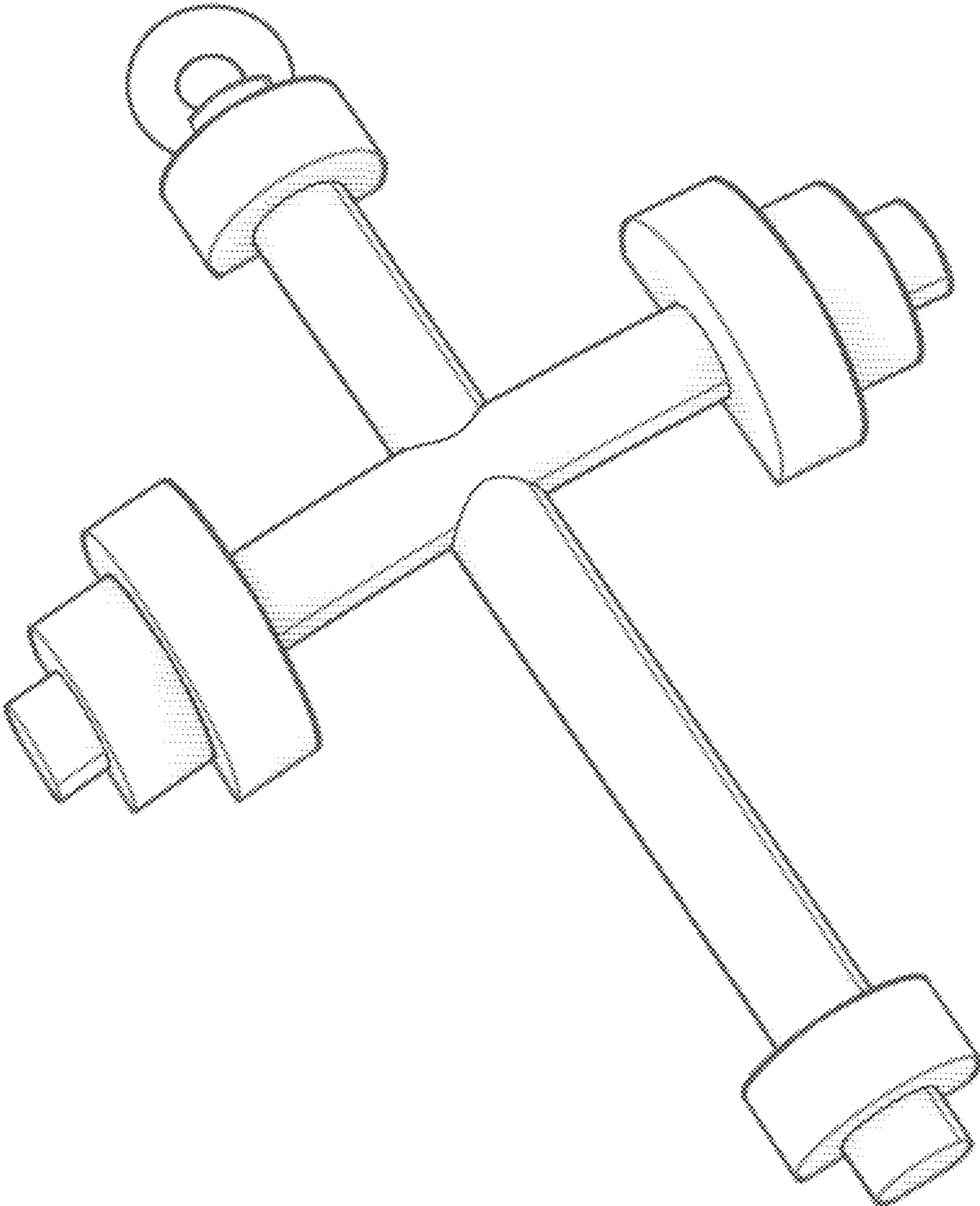


FIG. 3

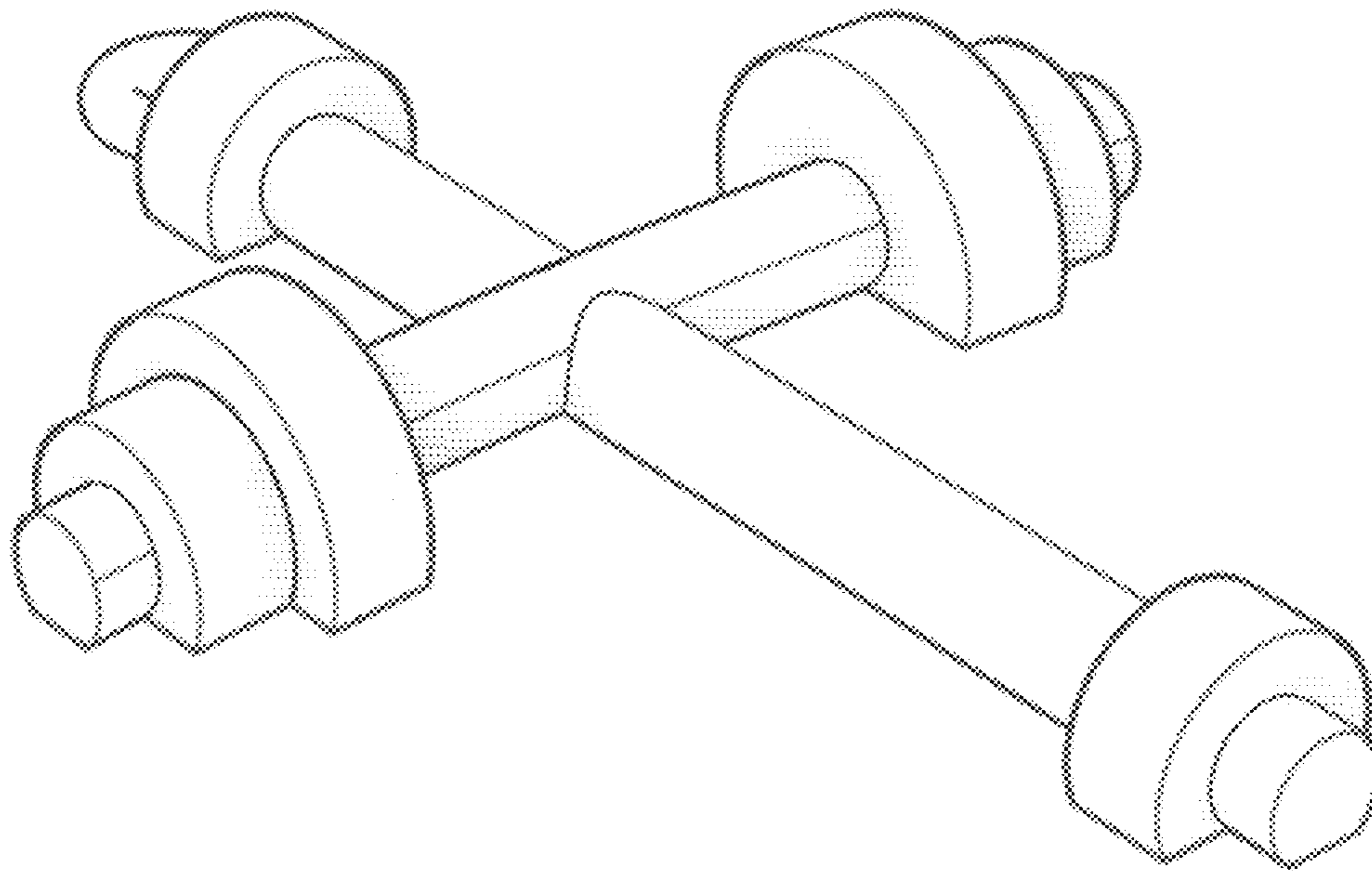


FIG. 4

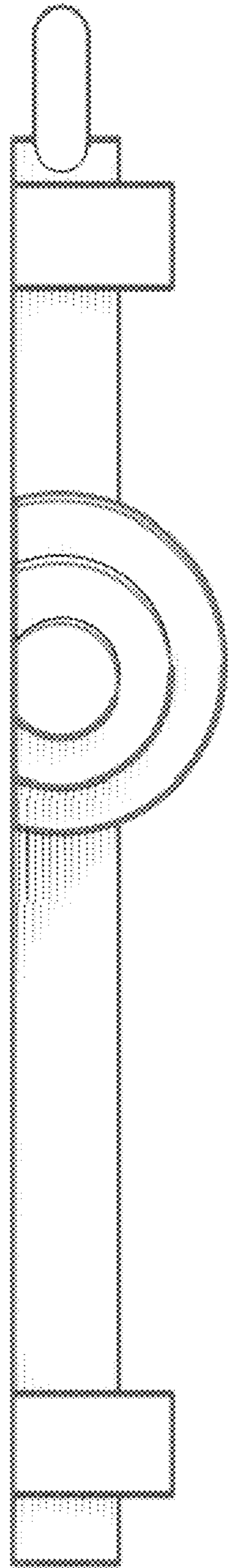


FIG. 5

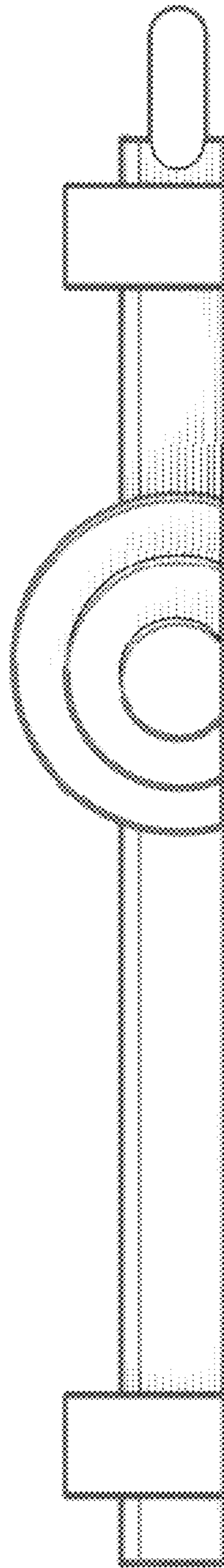


FIG. 6

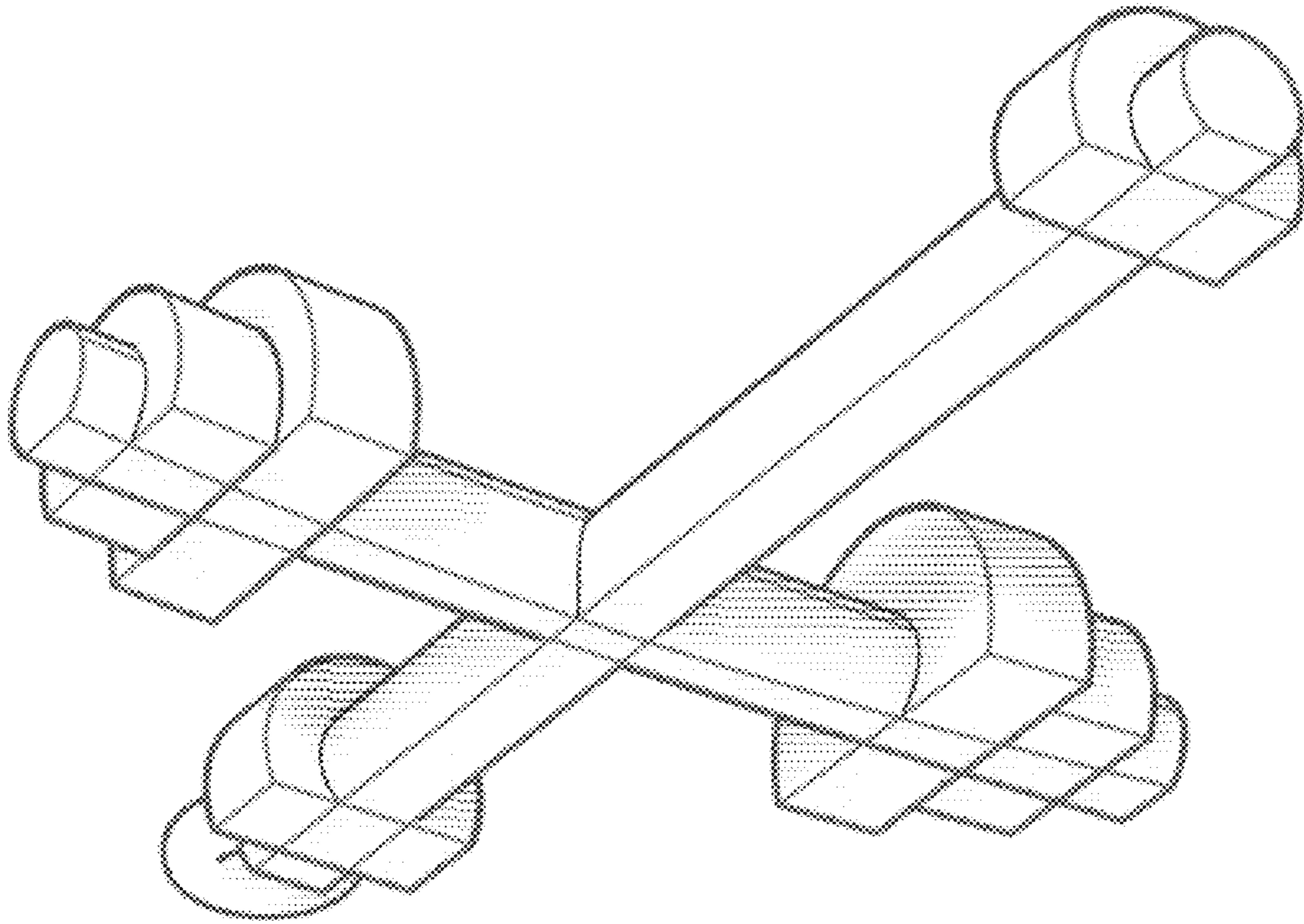


FIG. 7

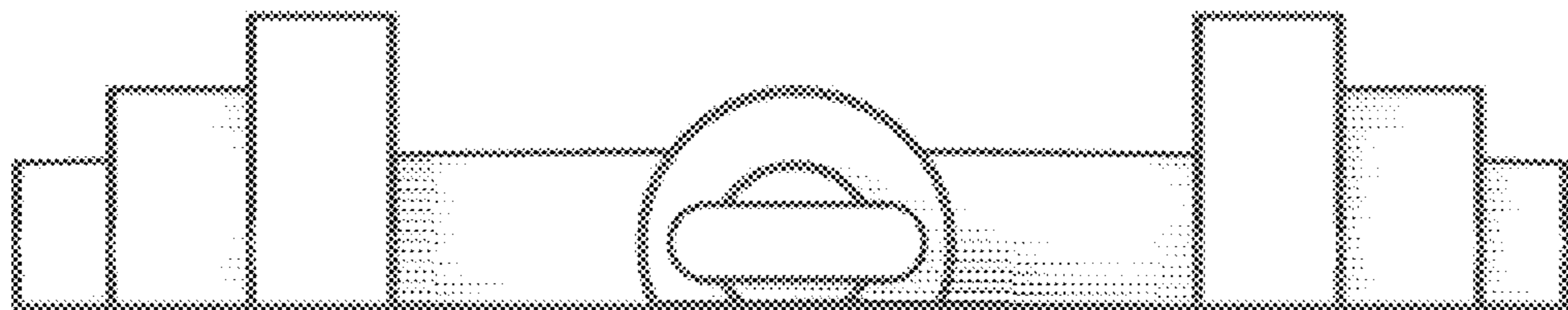


FIG. 8

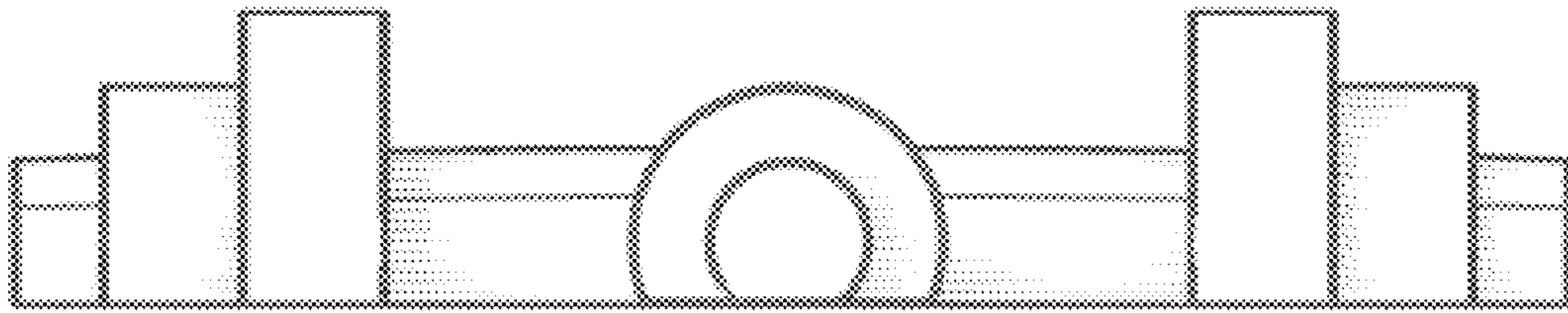


FIG. 9

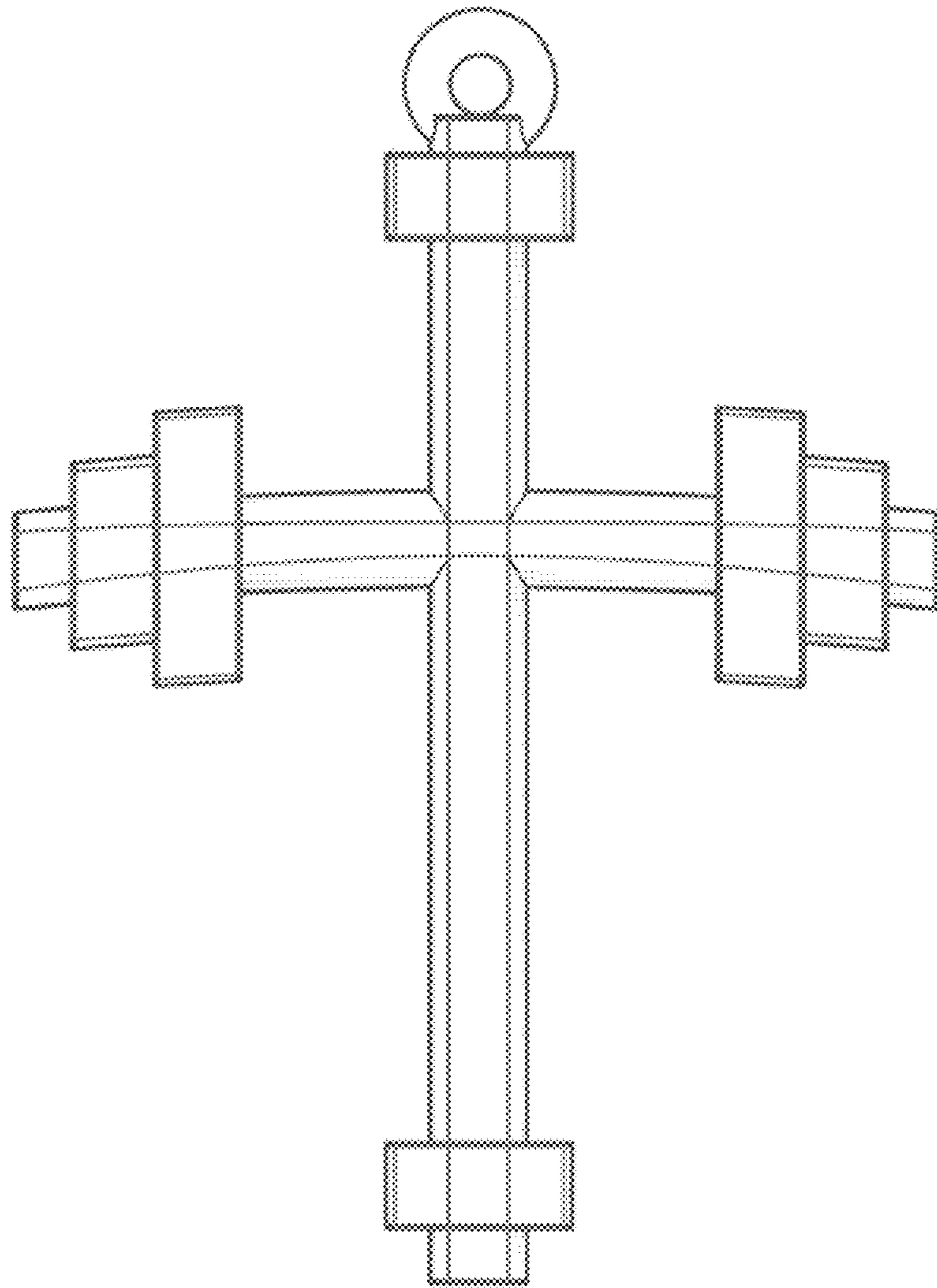


FIG. 10