



US00D787971S

(12) **United States Design Patent**  
**Traglio**

(10) **Patent No.:** **US D787,971 S**

(45) **Date of Patent:** **\*\* May 30, 2017**

(54) **RING**

(71) Applicant: **LA CASA VHERNIER S.p.A.**,  
Valenza (AL) (IT)

(72) Inventor: **Carlo Traglio**, Valenza (IT)

(73) Assignee: **LA CASA VHERNIER S.p.A.**,  
Valenza (AL) (IT)

(\*\*) Term: **15 Years**

(21) Appl. No.: **29/531,801**

(22) Filed: **Jun. 30, 2015**

(30) **Foreign Application Priority Data**

Dec. 30, 2014 (EM) ..... 002607408

(51) **LOC (10) Cl.** ..... **11-01**

(52) **U.S. Cl.**  
USPC ..... **D11/26**

(58) **Field of Classification Search**

USPC ..... D11/1-48, 75-79, 86; D14/344  
CPC . A44C 15/005; A44C 15/0015; A44C 15/001;  
A44C 15/0035; A44C 25/001; A44C  
25/00; A44C 25/005; A44C 5/00; A44C  
5/0015; A44C 5/0007; A44C 5/0084;  
A44C 5/12; A44C 5/142066; A44C  
5/2076; A44C 13/00; A44C 11/002; A44C  
9/00; A44C 9/003; A44C 9/0046; A44C  
17/0233; A44C 17/04; A44C 27/006;  
A44C 7/00; A44C 7/002; A44C 23/00;  
A44D 2205/00

See application file for complete search history.

(56) **References Cited**

U.S. PATENT DOCUMENTS

D240,760 S *	7/1976	Kleiner .....	D11/24
D273,261 S *	4/1984	Sun .....	D11/38
D311,355 S *	10/1990	Cowan .....	D11/19
D327,035 S *	6/1992	Prout .....	D11/19
D424,965 S *	5/2000	Gueit .....	D11/26
D439,189 S *	3/2001	Gueit .....	D11/26
D619,487 S *	7/2010	Graff .....	D11/3
D672,679 S *	12/2012	Riches .....	D11/26
D714,177 S *	9/2014	Graff .....	D11/3
D748,519 S *	2/2016	Cazzola .....	D11/13
D749,453 S *	2/2016	Cazzola .....	D11/13
2012/0047949 A1 *	3/2012	Modi .....	A44C 17/02 63/32

\* cited by examiner

*Primary Examiner* — Cynthia Ramirez

*Assistant Examiner* — Llorellys Martinez-Rivera

(74) *Attorney, Agent, or Firm* — Reising Ethington P.C.

(57) **CLAIM**

The ornamental design for a ring, as shown and described.

**DESCRIPTION**

FIG. 1 is a perspective view of a ring showing my new design;

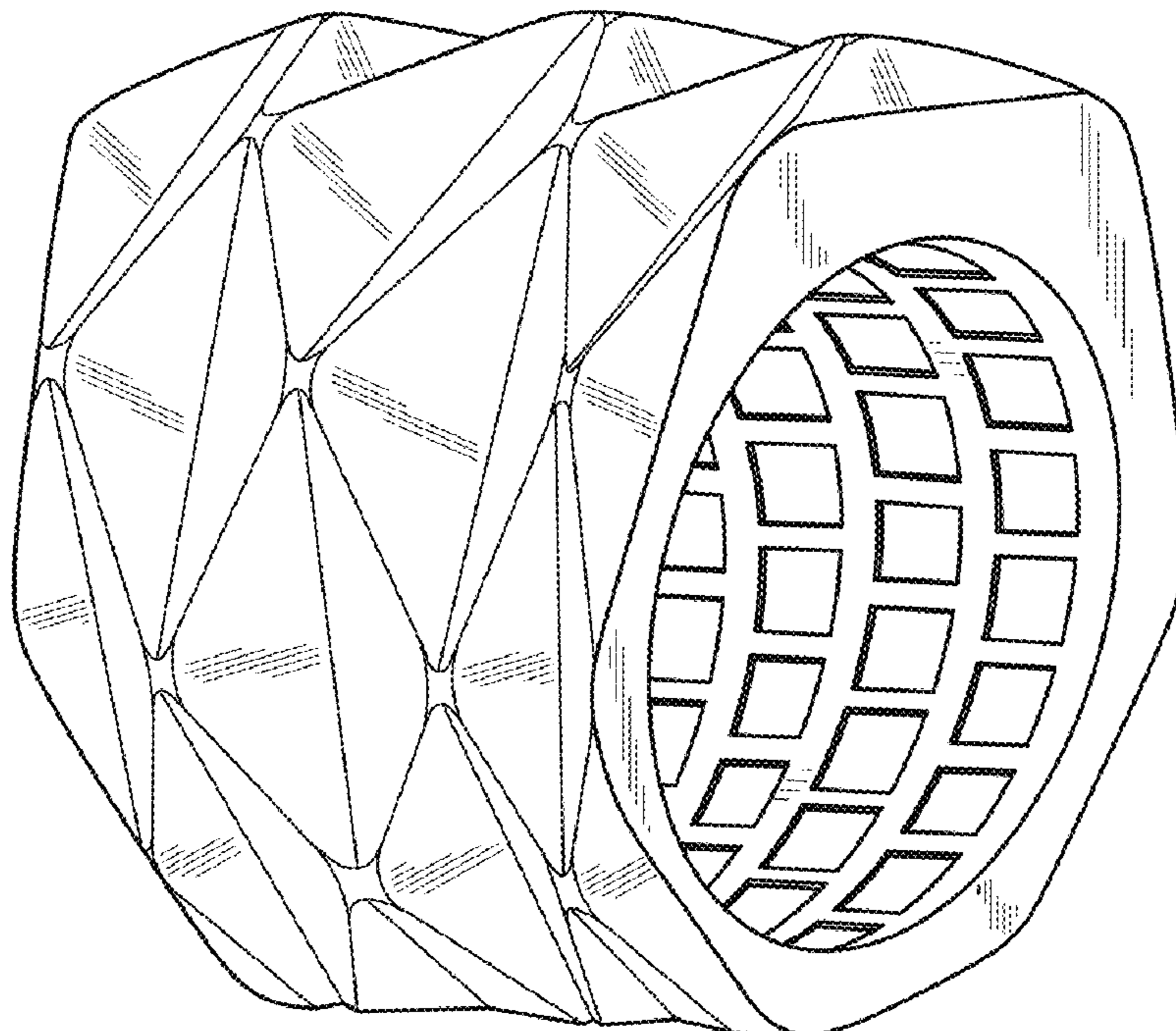
FIG. 2 is a front elevation view thereof, the rear elevation view being a mirror image thereof;

FIG. 3 is a left side elevation view thereof, the right side elevation view being a mirror image thereof;

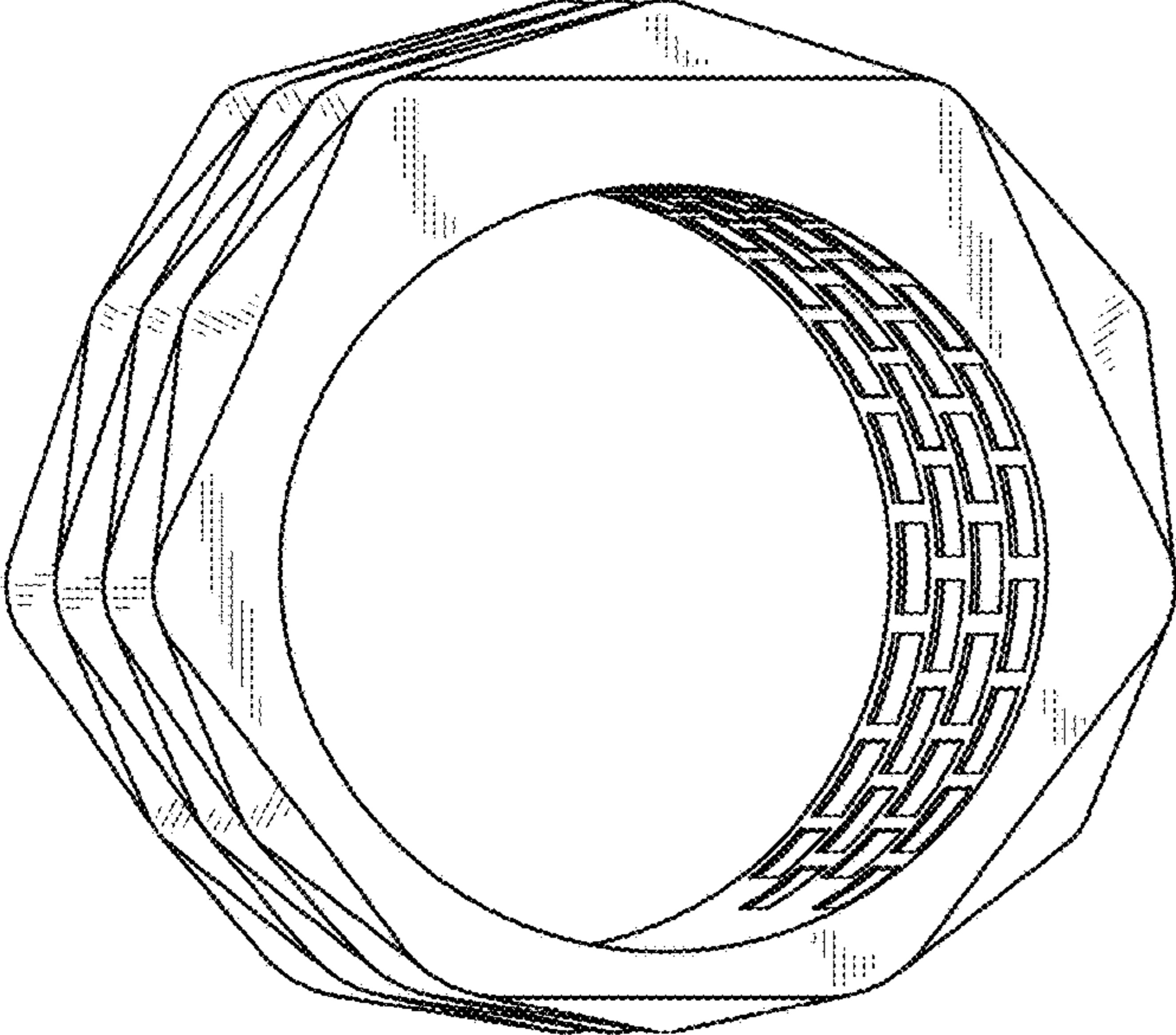
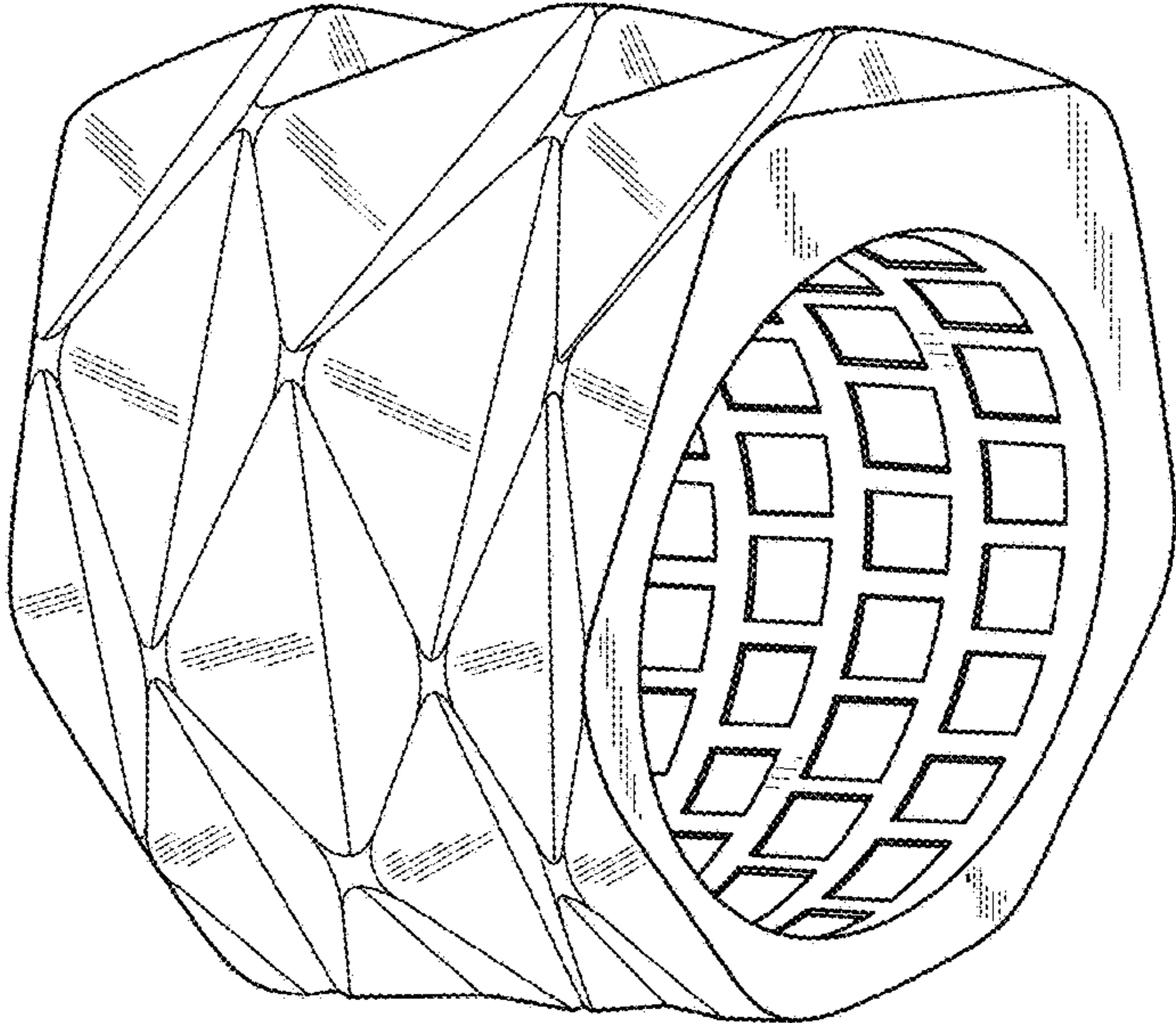
FIG. 4 is a top plan view thereof; and,

FIG. 5 is a bottom plan view thereof.

**1 Claim, 2 Drawing Sheets**

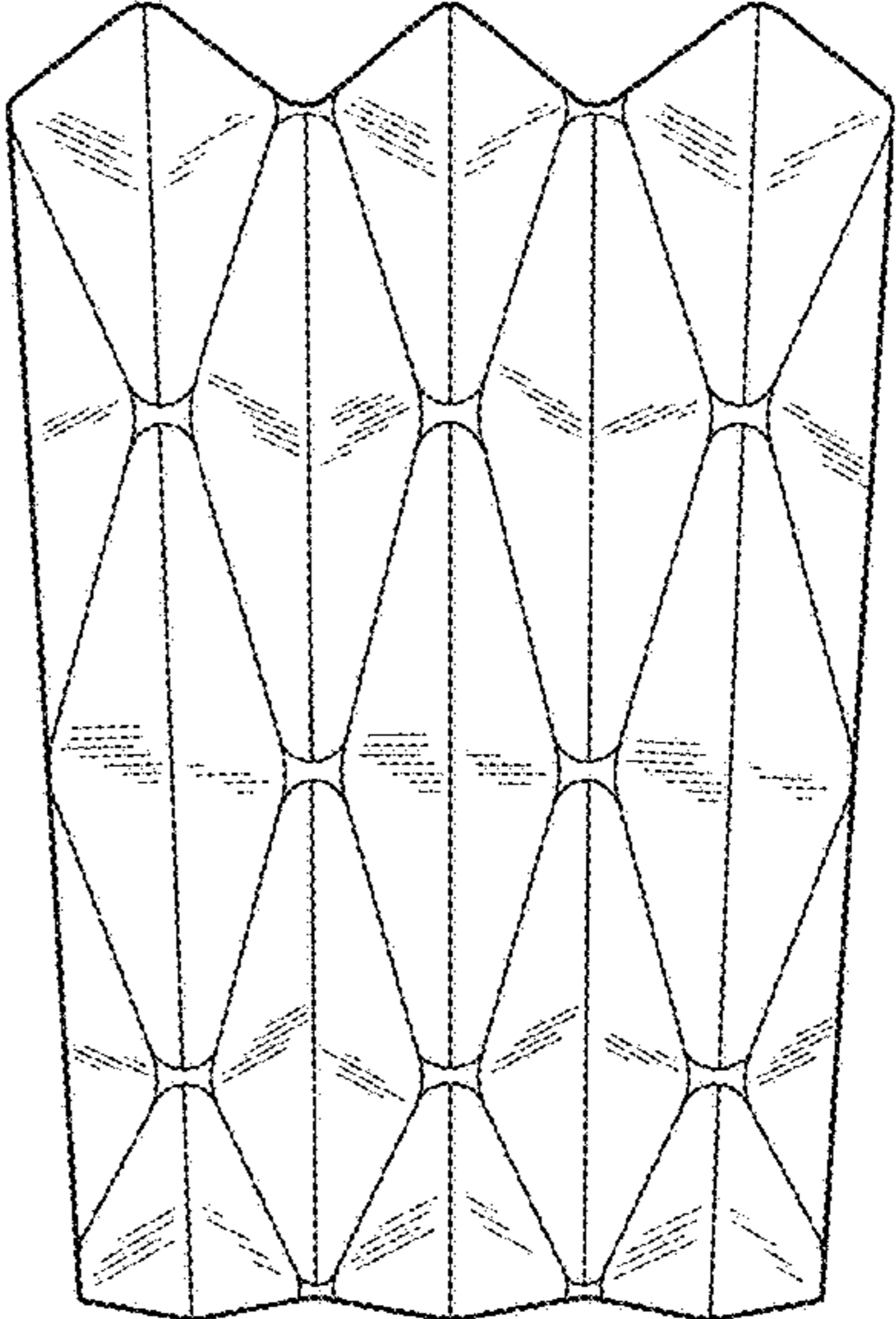


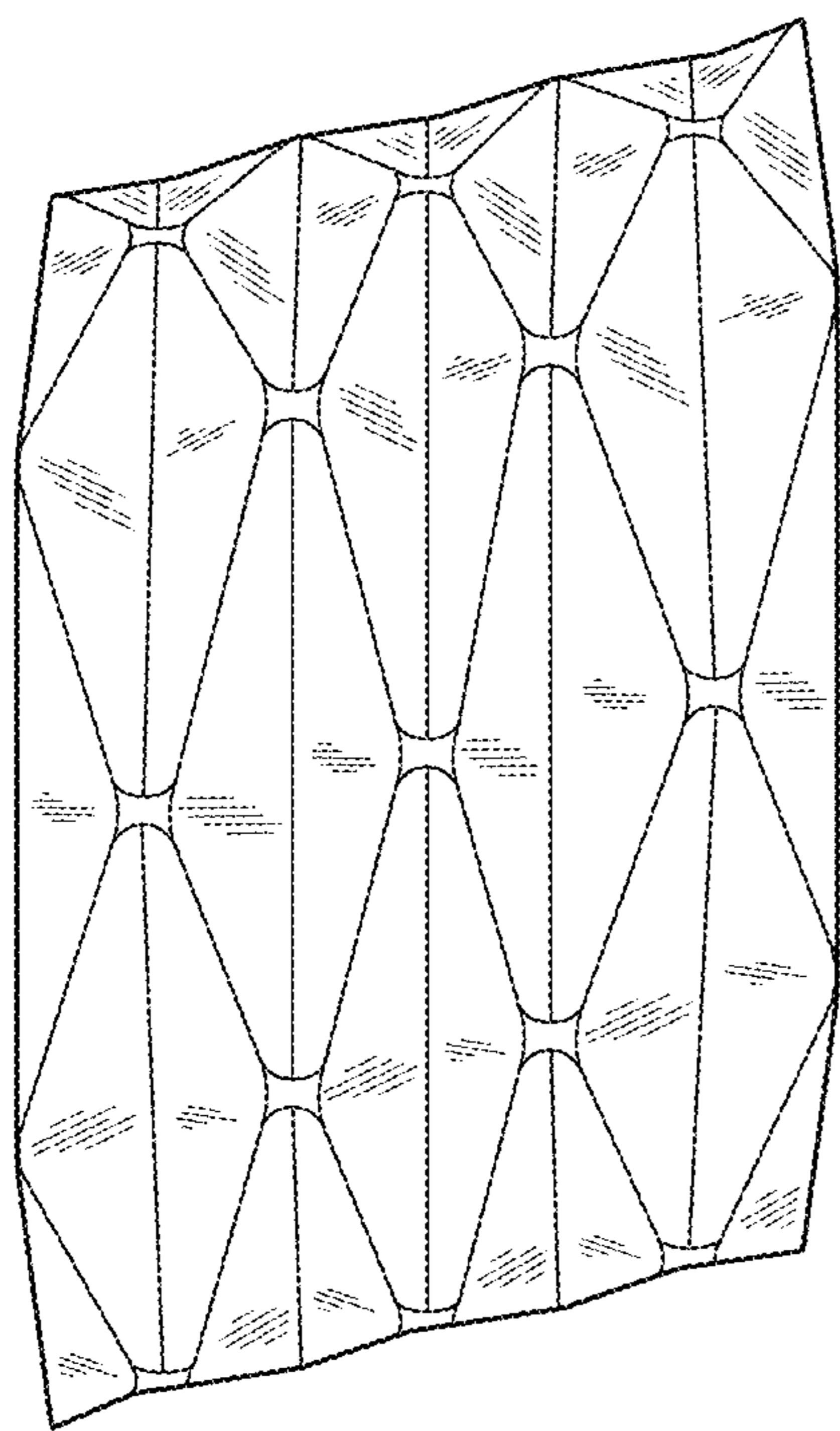
**FIG. 1**



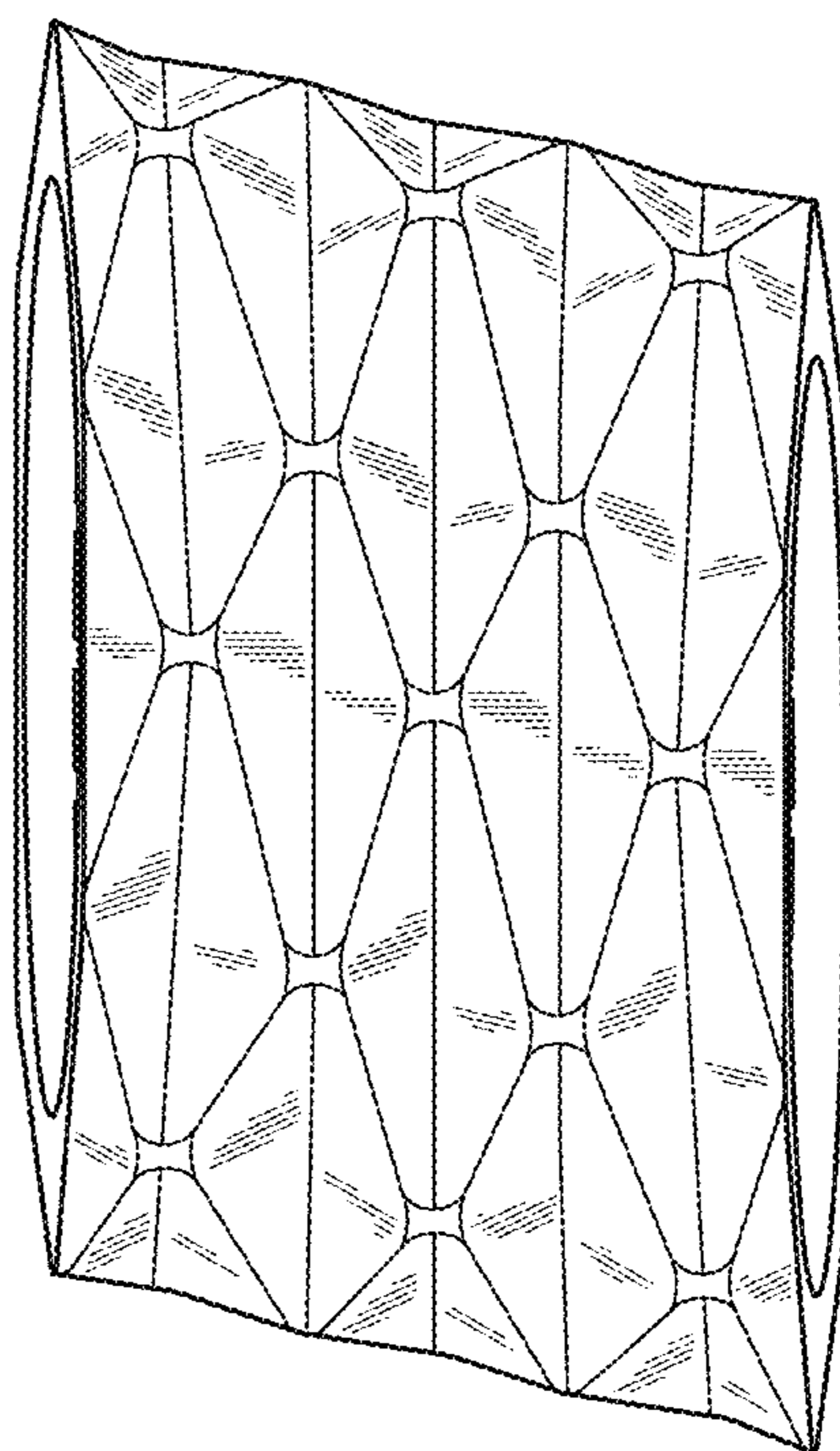
**FIG. 2**

**FIG. 3**





**FIG. 4**



**FIG. 5**