



US00D787970S

(12) **United States Design Patent** (10) **Patent No.:** **US D787,970 S**
Goltche (45) **Date of Patent:** **** May 30, 2017**

(54) **PAIR OF EMERGENCY VEHICLE SIGNAL DEVICES**

(71) Applicant: **Yehuda Goltche**, Great Neck, NY (US)

(72) Inventor: **Yehuda Goltche**, Great Neck, NY (US)

(**) Term: **15 Years**

(21) Appl. No.: **29/539,880**

(22) Filed: **Sep. 18, 2015**

(51) **LOC (10) Cl.** **10-05**

(52) **U.S. Cl.**
USPC **D10/114.4**

(58) **Field of Classification Search**
USPC D10/114.4; D26/72, 80
CPC B60Q 1/2611; B60Q 1/52
See application file for complete search history.

(56) **References Cited**

U.S. PATENT DOCUMENTS

6,511,216	B2 *	1/2003	Strickland	B60Q 1/2611 362/490
D614,986	S *	5/2010	Shin	D10/114.4
D617,229	S *	6/2010	Shin	D10/114.4
D652,335	S *	1/2012	Deyaf	D10/114.4
2008/0080203	A1 *	4/2008	Neufeglise	B60Q 1/52 362/540

* cited by examiner

Primary Examiner — George D Kirschbaum
(74) *Attorney, Agent, or Firm* — Dunlap Bennett & Ludwig PLLC

(57) **CLAIM**

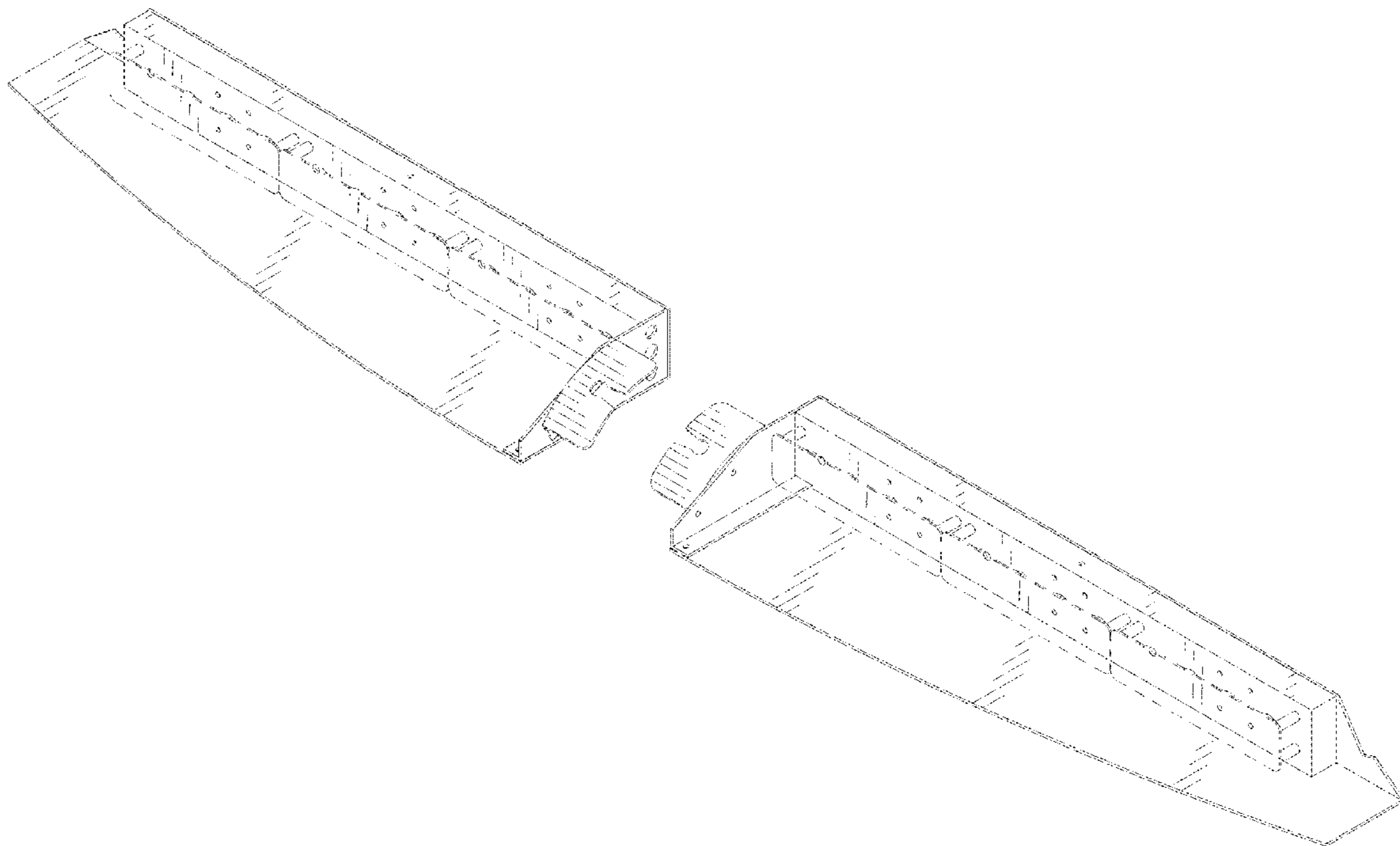
The ornamental design for a pair of emergency vehicle signal devices, as shown and described.

DESCRIPTION

FIG. 1 is a perspective view of a first embodiment of a pair of emergency vehicle signal devices;
FIG. 2 is a bottom plan view of FIG. 1;
FIG. 3 is a top plan view of FIG. 1;
FIG. 4 is a rear elevation view of FIG. 1;
FIG. 5 is a front elevation view of FIG. 1;
FIG. 6 is a left side elevation view of FIG. 1;
FIG. 7 is a right side elevation view of FIG. 1;
FIG. 8 is a perspective view of a second embodiment of a pair of emergency vehicle signal devices;
FIG. 9 is a bottom plan view of FIG. 8;
FIG. 10 is a top plan view of FIG. 8;
FIG. 11 is a rear elevation view of FIG. 8;
FIG. 12 is a front elevation view of FIG. 8;
FIG. 13 is a left side elevation view of FIG. 8; and,
FIG. 14 is a right side elevation view of FIG. 8.

The broken lines shown in the drawings illustrate portions of the pair of emergency vehicle signal devices that form no part of the claimed design.

1 Claim, 6 Drawing Sheets



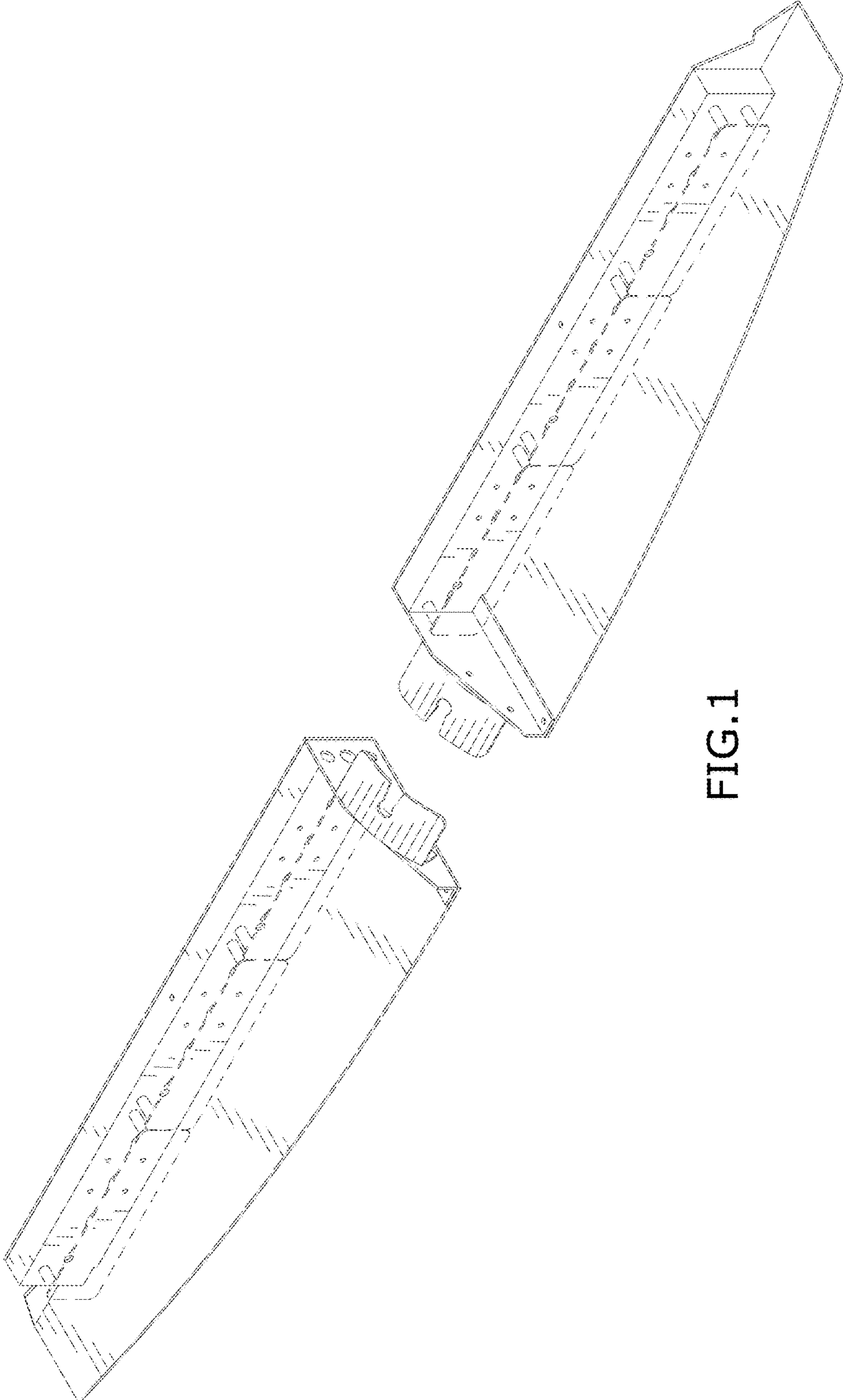


FIG.1

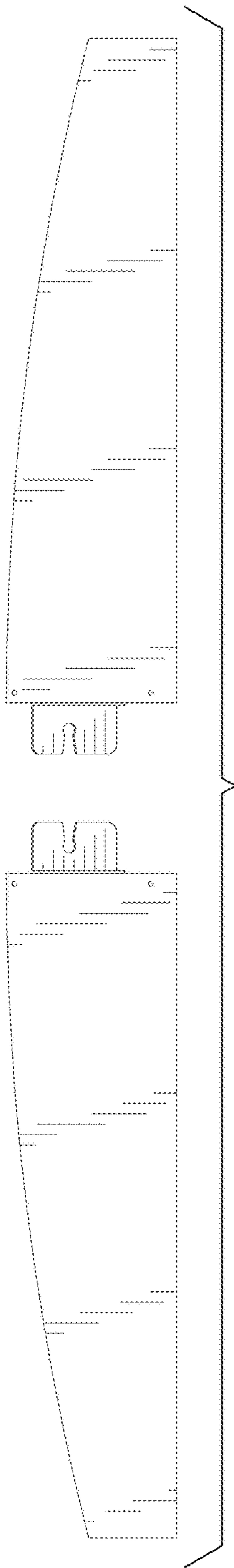


FIG. 2

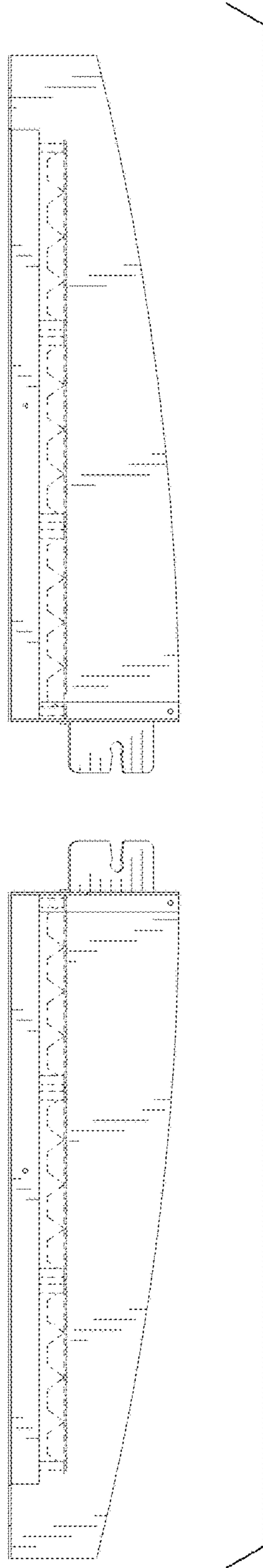


FIG. 3

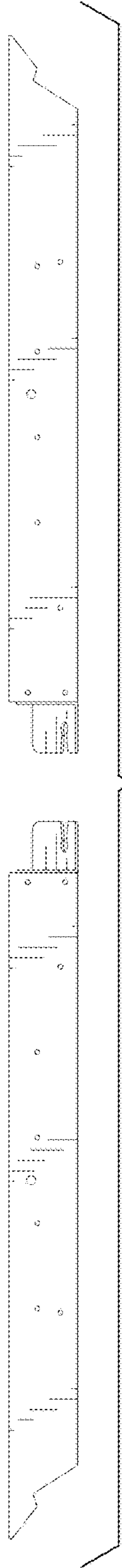


FIG. 4

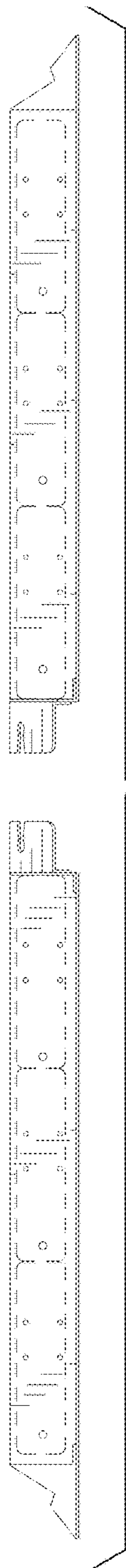


FIG. 5



FIG. 6

FIG. 7

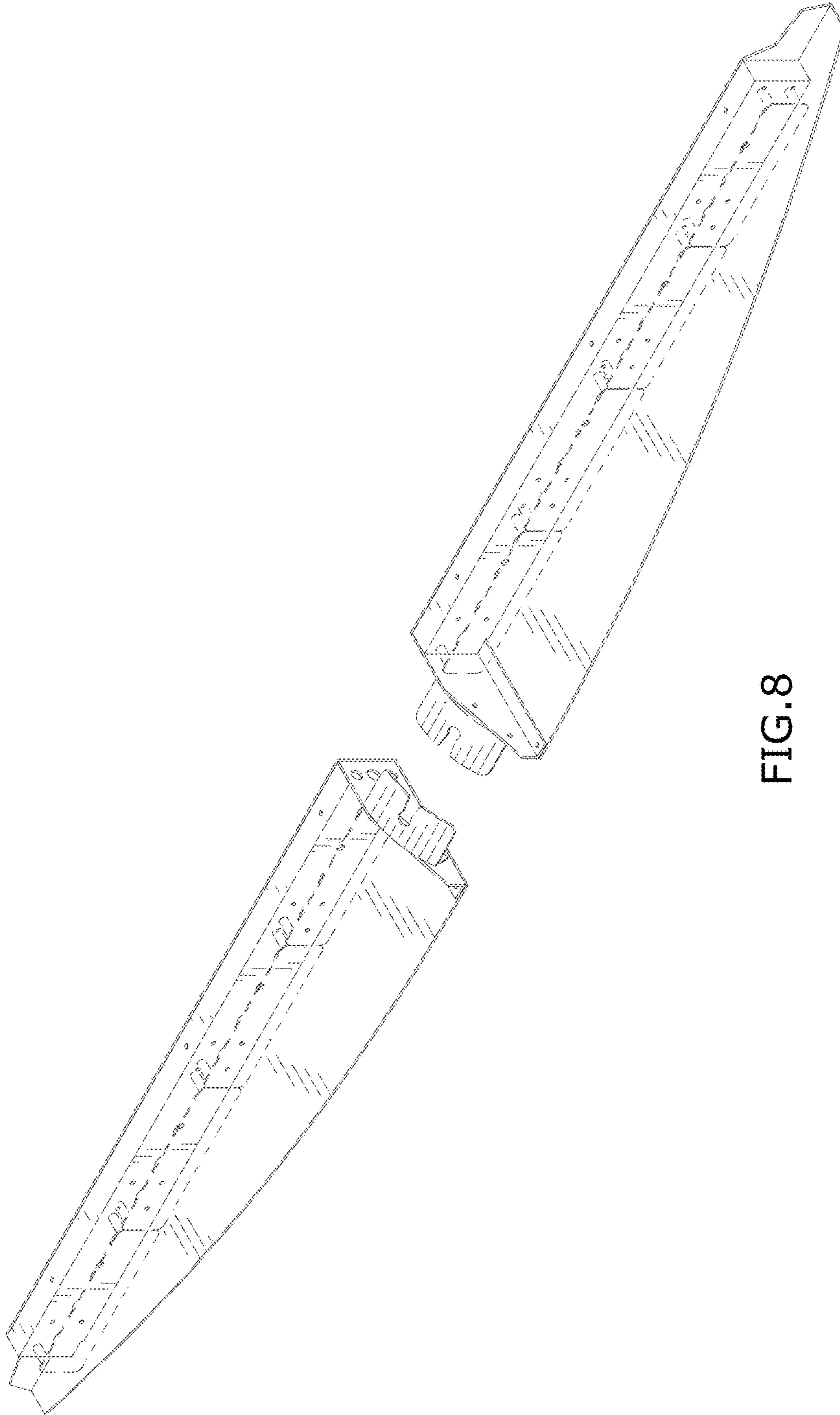


FIG.8

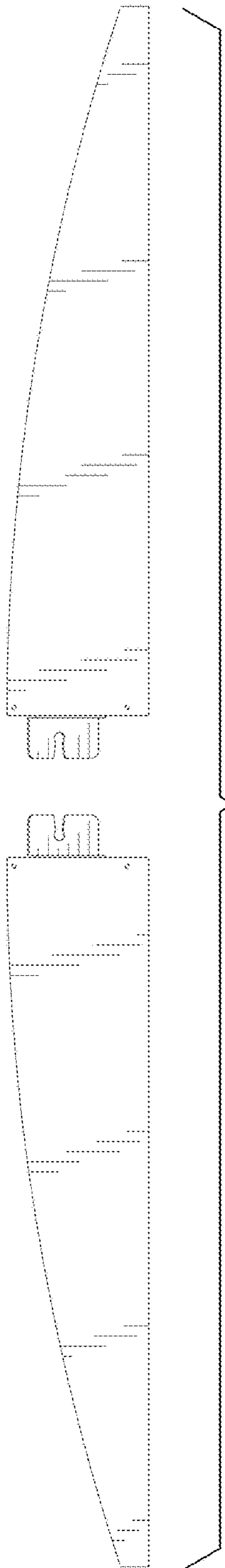


FIG. 9

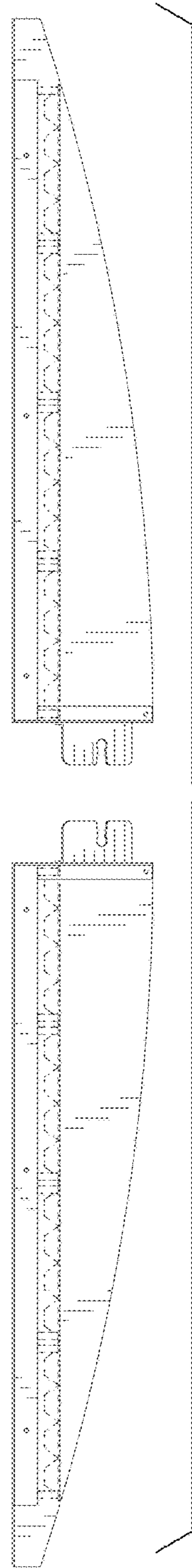


FIG. 10

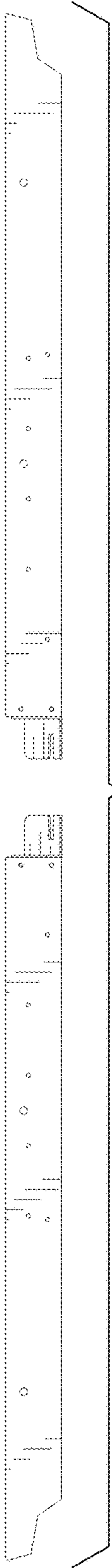


FIG. 11

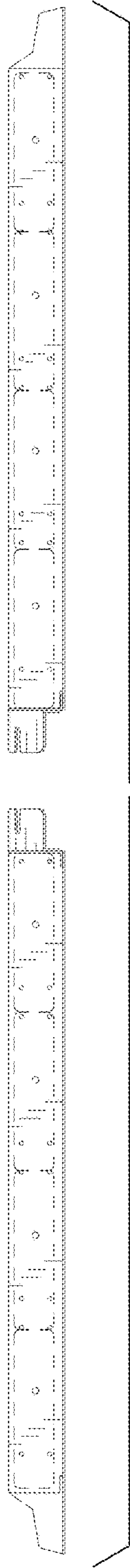


FIG. 12



FIG. 13

FIG. 14