



US00D787969S

(12) **United States Design Patent** (10) **Patent No.:** **US D787,969 S**
Tsui (45) **Date of Patent:** **** May 30, 2017**

- (54) **WARNING SIGN**
- (71) Applicant: **Jet Power International Limited,**
Hong Kong (HK)
- (72) Inventor: **Chin Hang Tsui,** Hong Kong (HK)
- (73) Assignee: **Jet Power International Limited,**
Hong Kong (HK)
- (**) Term: **15 Years**
- (21) Appl. No.: **29/566,701**
- (22) Filed: **Jun. 2, 2016**
- (51) **LOC (10) Cl.** **10-05**
- (52) **U.S. Cl.**
USPC **D10/113.4**
- (58) **Field of Classification Search**
USPC D10/109.1, 109.2, 113.4, 114.1, 114.9,
D10/121; D20/10, 13, 17, 22, 27, 39-42
CPC G08G 1/0116; G08G 1/095; G08G 1/0145;
G08G 1/166; G08G 1/09; G08G
1/096783; G09F 1/00; G09F 13/16; B60Q
1/08; B60Q 1/52; B60Q 2300/45; E01F
9/654; E01F 9/688
See application file for complete search history.

- D371,807 S * 7/1996 Mandell D10/113.1
- 5,621,992 A * 4/1997 Mandell G09F 15/0062
116/63 P
- D395,334 S * 6/1998 Eberle D10/109.1
- D405,708 S * 2/1999 Liu D10/113.4
- 6,131,320 A * 10/2000 Eberle G09F 15/0062
40/606.18
- 6,338,213 B1 * 1/2002 Young G09F 15/0062
40/606.14
- 7,013,590 B1 * 3/2006 Bell G09F 15/0062
40/610
- 7,562,477 B2 * 7/2009 Kurple G09F 19/22
116/63 P
- D598,798 S * 8/2009 Tsui D10/113.4
- 8,763,292 B1 * 7/2014 Morad G09F 15/0062
116/63 T
- 9,286,814 B1 * 3/2016 Thomaselli G09F 15/00
- D756,831 S * 5/2016 Libbey D10/113.4

* cited by examiner

Primary Examiner — George D Kirschbaum

Assistant Examiner — Joseph Kukella

(57) **CLAIM**

The ornamental design for a warning sign, as shown and described.

DESCRIPTION

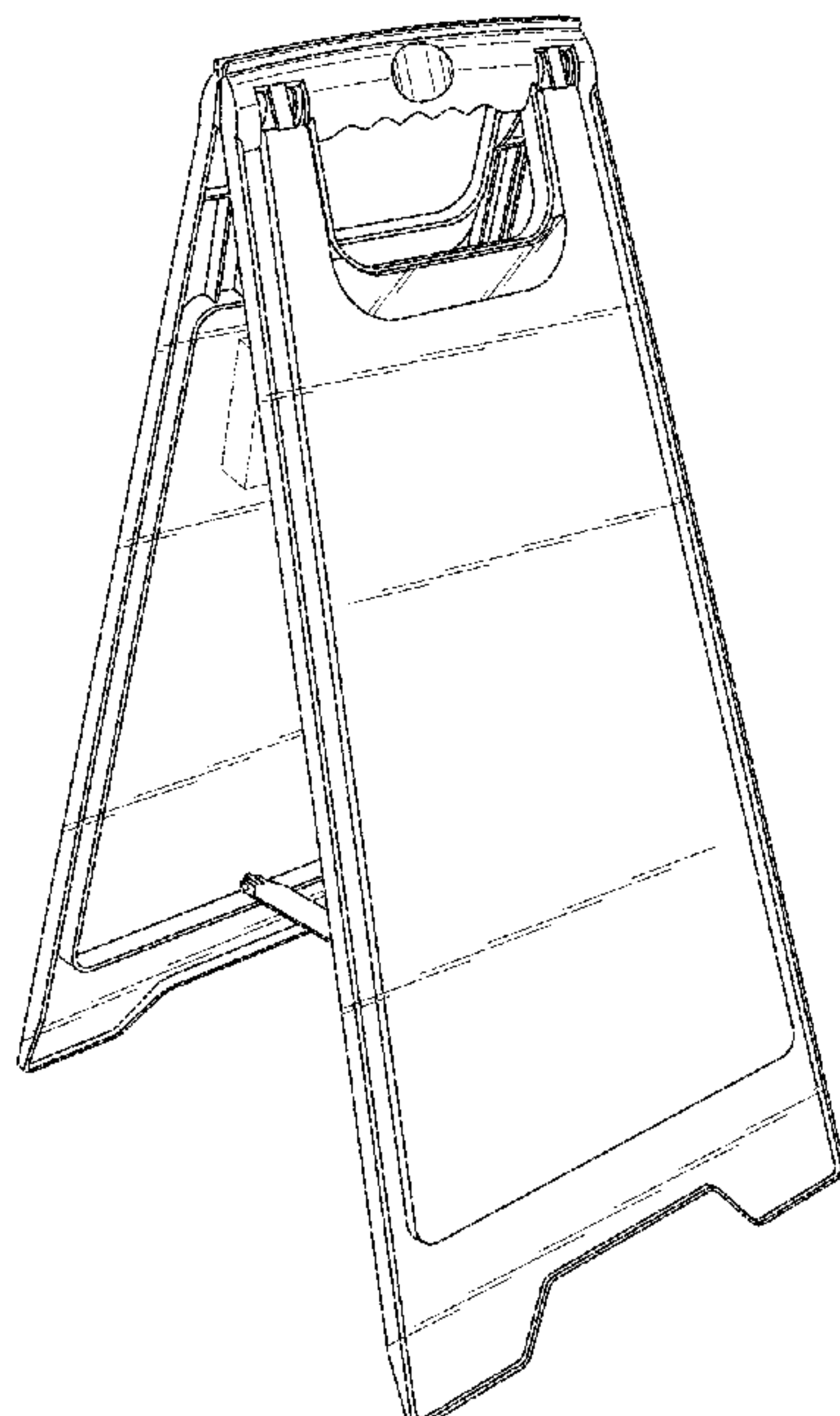
FIG. 1 is a perspective view of a warning sign showing my new design;
 FIG. 2 is a front elevational view thereof;
 FIG. 3 is a left side view thereof;
 FIG. 4 is a rear elevational view thereof;
 FIG. 5 is a right side view thereof;
 FIG. 6 is a top plan view thereof; and,
 FIG. 7 is a bottom plan view thereof.
 In the drawings, the broken lines depict environmental subject matter only and form no part of the claimed design.

(56) **References Cited**

U.S. PATENT DOCUMENTS

- 4,253,260 A * 3/1981 Maza G09F 15/0062
116/63 P
- D260,780 S * 9/1981 Maza D20/10
- 4,928,415 A * 5/1990 Walters G09F 1/06
40/610
- D328,615 S * 8/1992 Taylor D10/109.1
- 5,458,434 A * 10/1995 Bent E01F 9/688
40/610

1 Claim, 7 Drawing Sheets



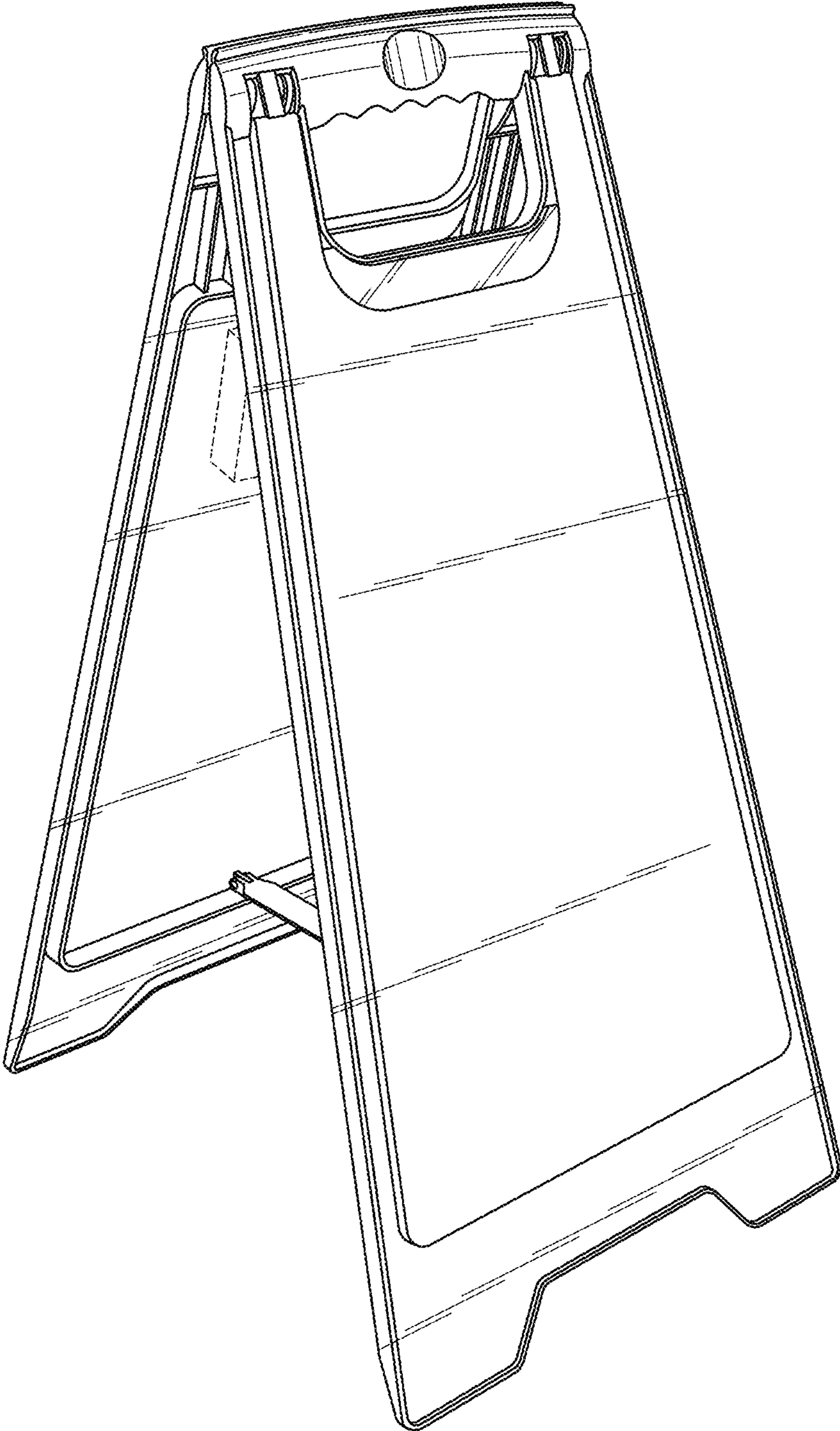


FIG. 1

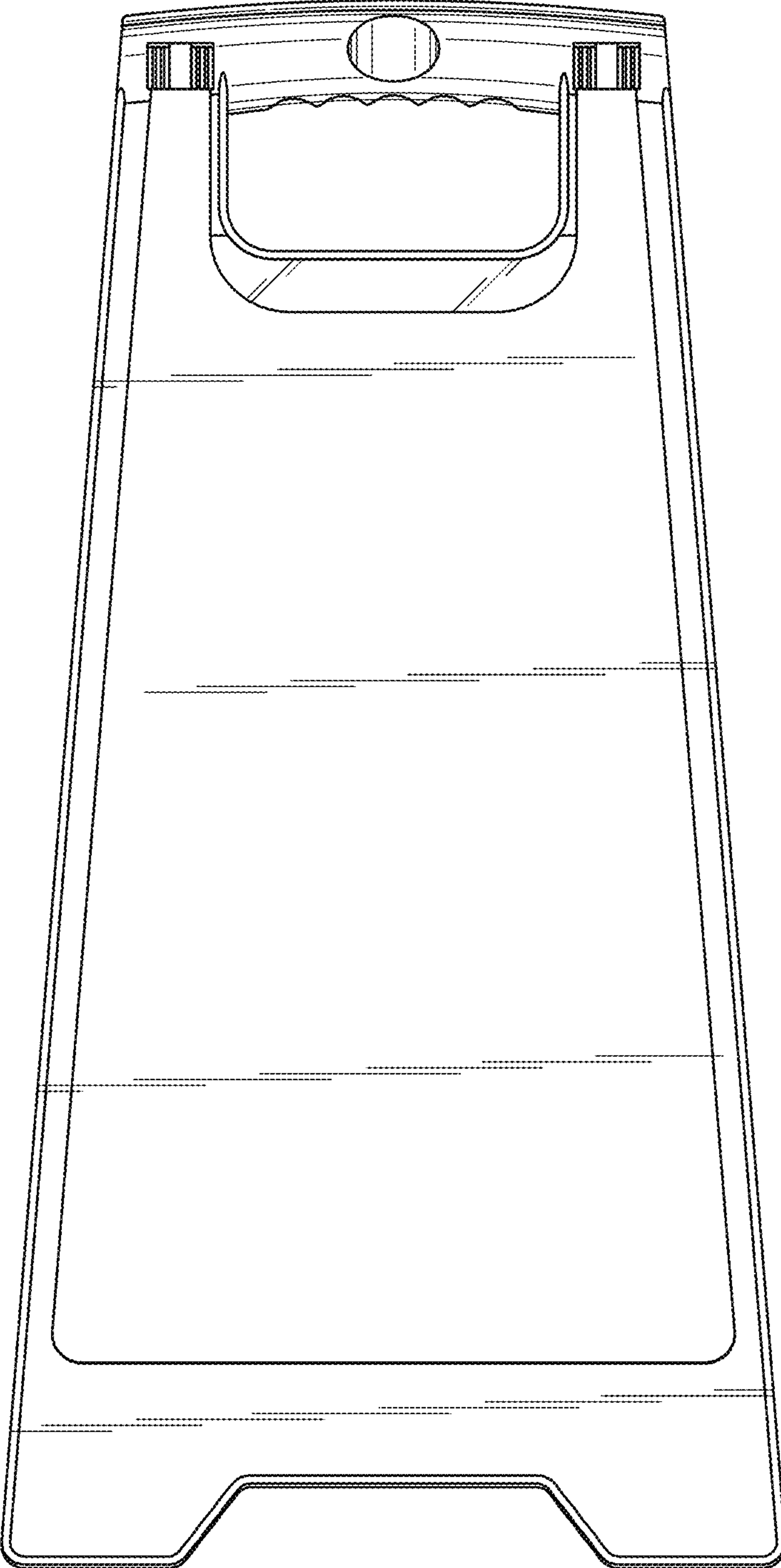


FIG. 2

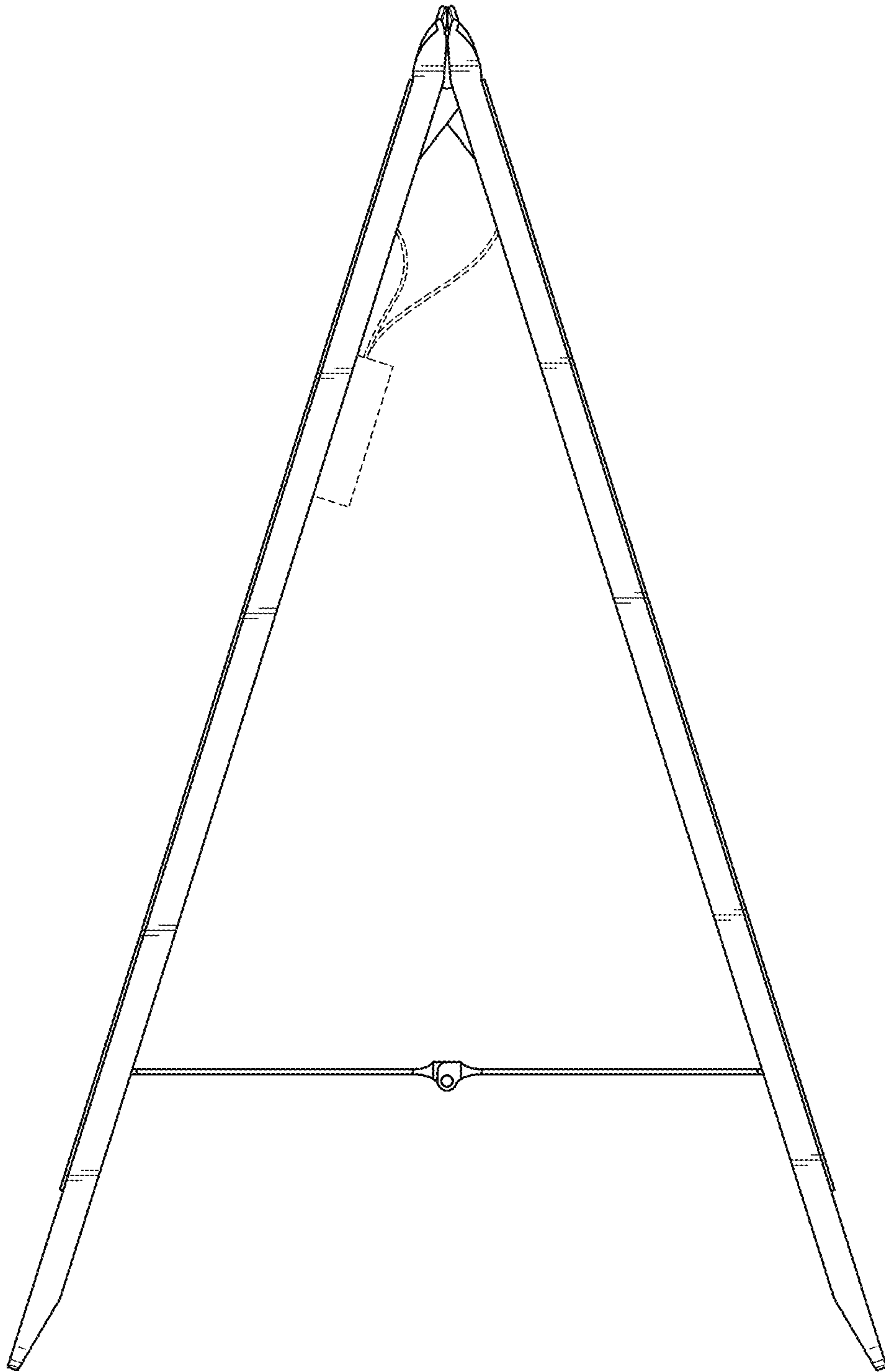


FIG. 3

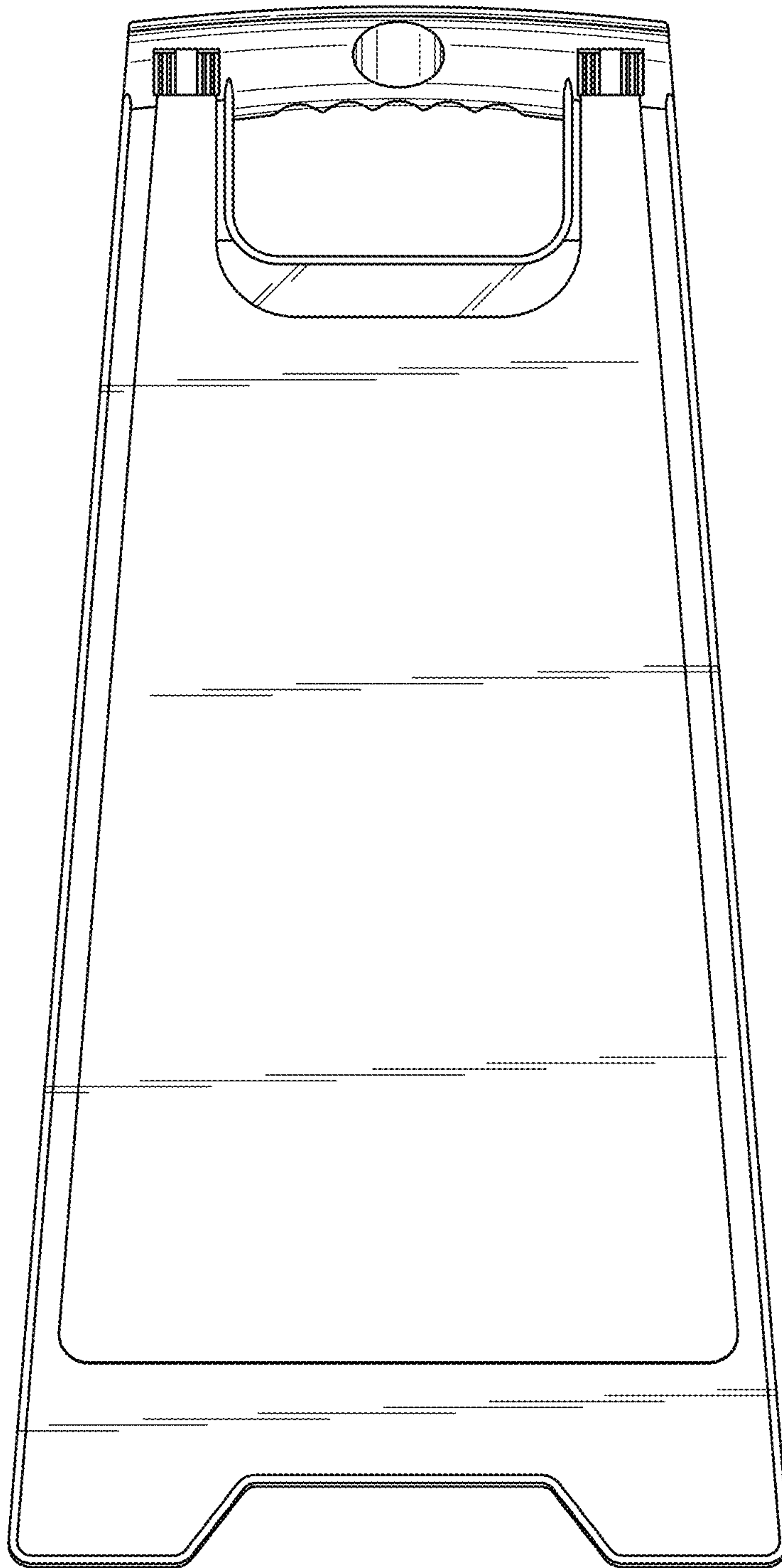


FIG. 4

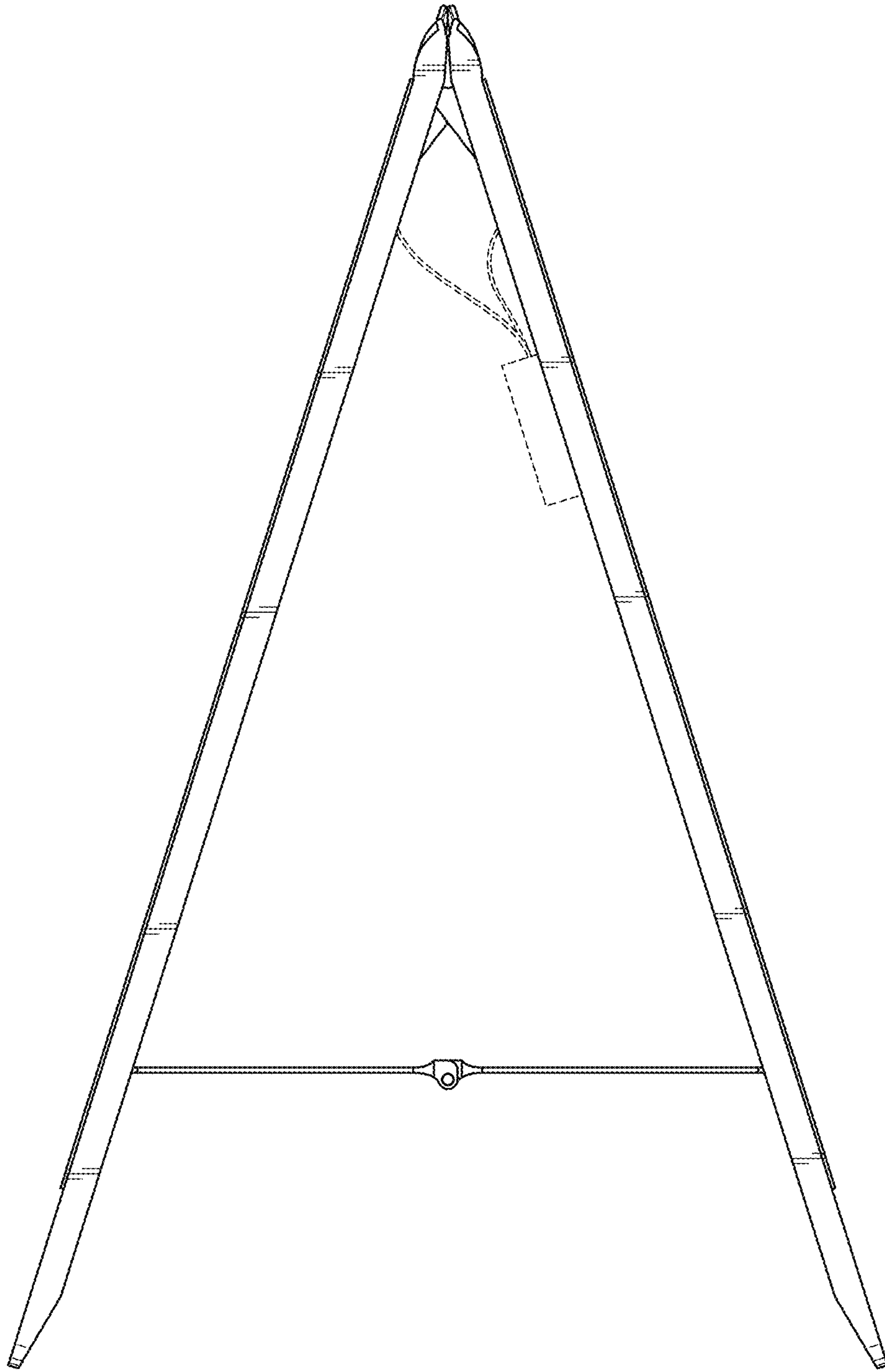


FIG. 5

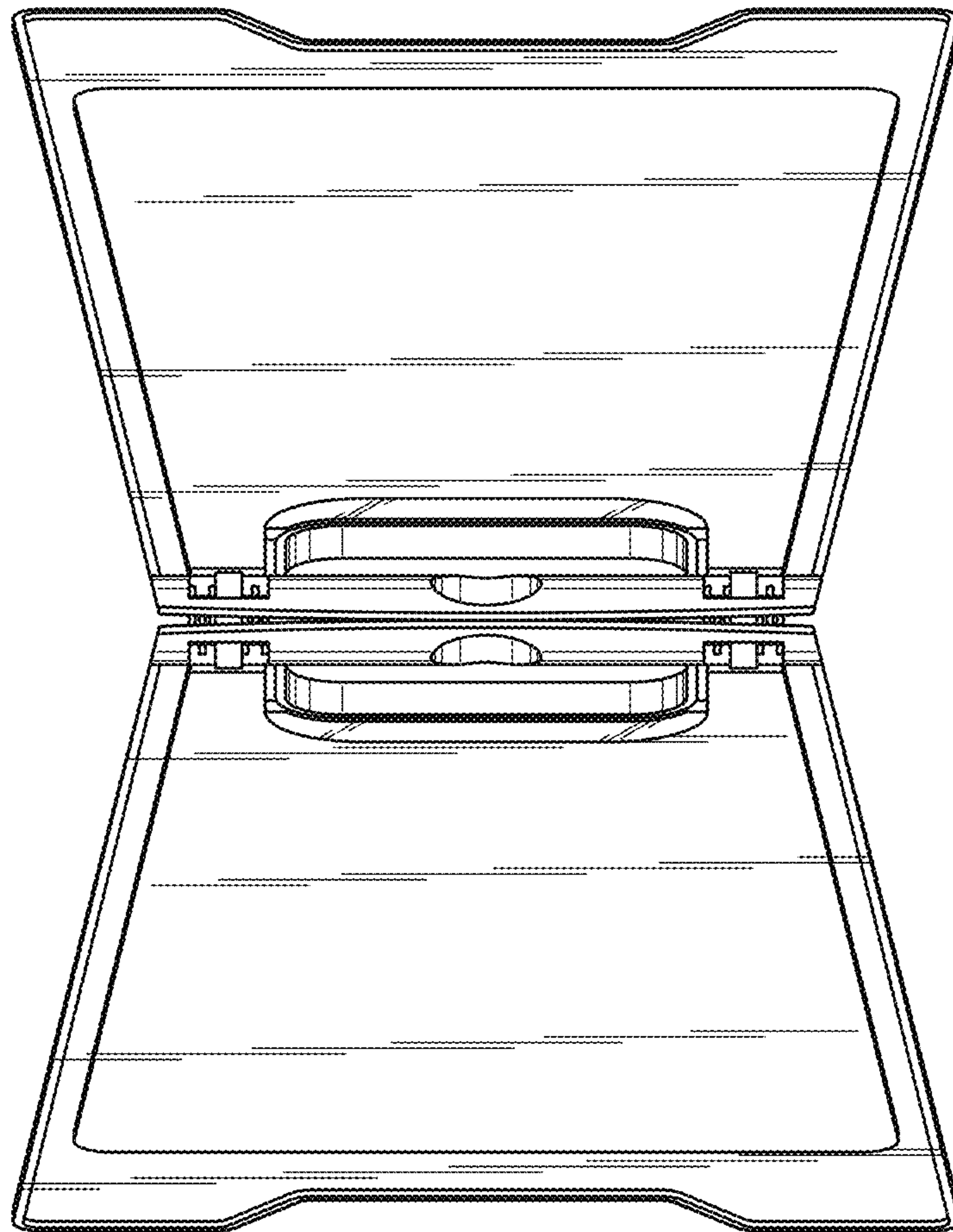


FIG. 6

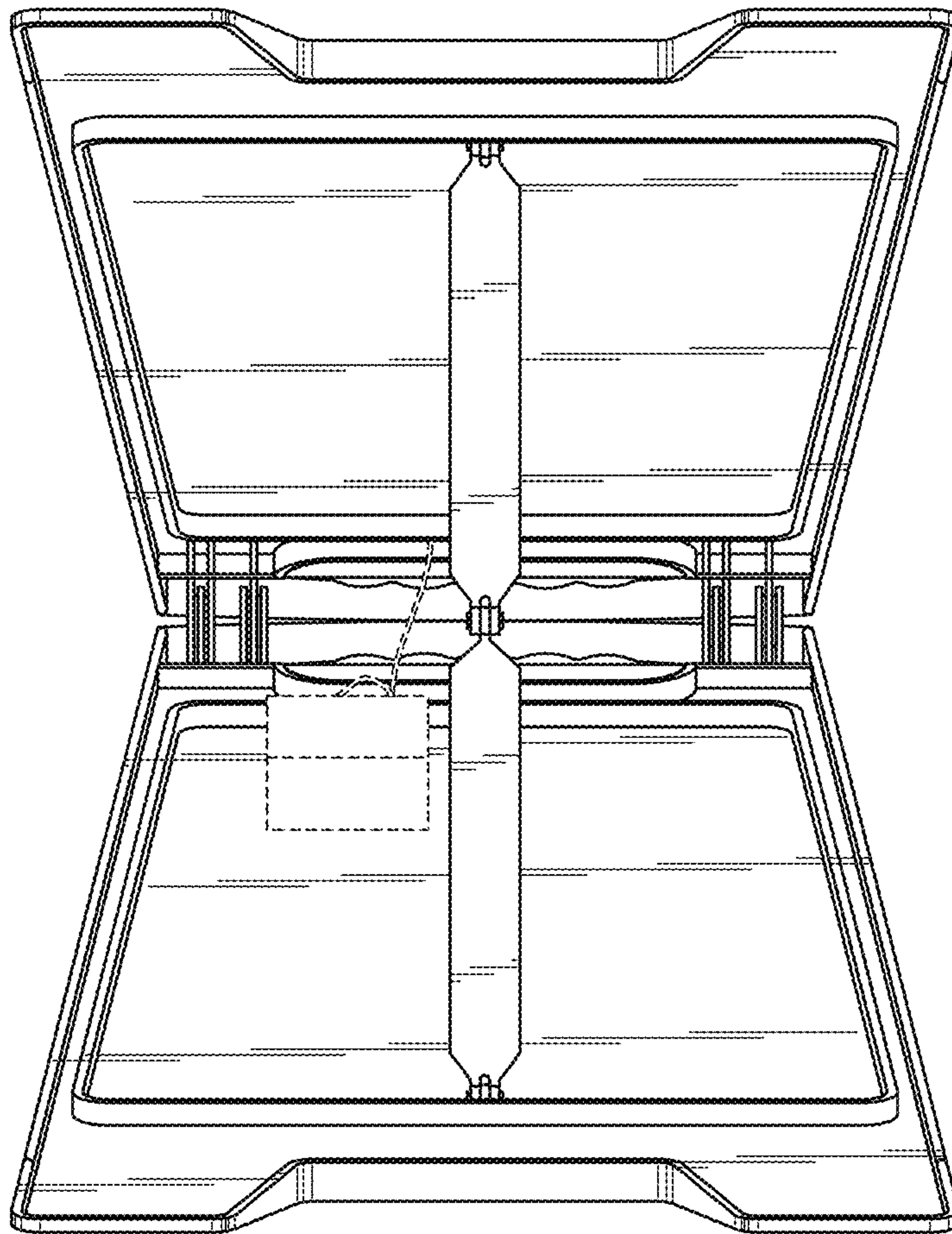


FIG. 7