



US00D787968S

(12) **United States Design Patent**  
**Wu et al.**

(10) **Patent No.:** **US D787,968 S**

(45) **Date of Patent:** **\*\* May 30, 2017**

- (54) **TRAFFIC WARNING DEVICE**
- (71) Applicant: **HON HAI PRECISION INDUSTRY CO., LTD.**, New Taipei (TW)
- (72) Inventors: **Yu-Chien Wu**, New Taipei (TW);  
**Hung-Chun Lu**, New Taipei (TW);  
**Tzu-Cheng Yang**, New Taipei (TW)
- (73) Assignee: **HON HAI PRECISION INDUSTRY CO., LTD.**, New Taipei (TW)
- (\*\*) Term: **15 Years**

3,934,542 A \* 1/1976 May ..... B60Q 7/005  
116/63 P  
D240,514 S \* 7/1976 Brudy ..... D10/111  
4,403,565 A \* 9/1983 Bleiweiss ..... B60Q 7/005  
116/63 P  
4,805,550 A \* 2/1989 Raczkowski ..... B60Q 7/005  
116/63 T  
D311,148 S \* 10/1990 Yuen ..... D10/109.1  
5,349,346 A \* 9/1994 Wu ..... B60Q 7/00  
116/63 T  
D383,080 S \* 9/1997 Derrick ..... D10/113.4  
5,775,253 A \* 7/1998 Quan ..... E01F 9/688  
116/63 P  
5,970,639 A \* 10/1999 Hui ..... E01F 9/615  
40/610

(Continued)

- (21) Appl. No.: **29/562,810**
- (22) Filed: **Apr. 29, 2016**

*Primary Examiner* — George D Kirschbaum  
*Assistant Examiner* — Joseph Kukella  
(74) *Attorney, Agent, or Firm* — Steven Reiss

(30) **Foreign Application Priority Data**

Apr. 26, 2016 (TW) ..... 105302226

- (51) **LOC (10) Cl.** ..... **10-05**
- (52) **U.S. Cl.**  
USPC ..... **D10/113.4**

- (58) **Field of Classification Search**  
USPC ..... D10/109.1, 109.2, 113.4, 114.1, 114.9,  
D10/121  
CPC .... G08G 1/0116; G08G 1/095; G08G 1/0145;  
G08G 1/166; G08G 1/09; G08G  
1/096783; B60Q 1/08; B60Q 1/52; B60Q  
2300/45; G09F 13/16; E01F 9/654; E01F  
9/688

See application file for complete search history.

(56) **References Cited**

**U.S. PATENT DOCUMENTS**

D221,810 S \* 9/1971 Kiniry et al. .... D10/113.4  
3,806,234 A \* 4/1974 Brudy ..... B60Q 7/005  
116/63 P  
3,933,119 A \* 1/1976 Hedgewick ..... B60Q 7/005  
116/63 P

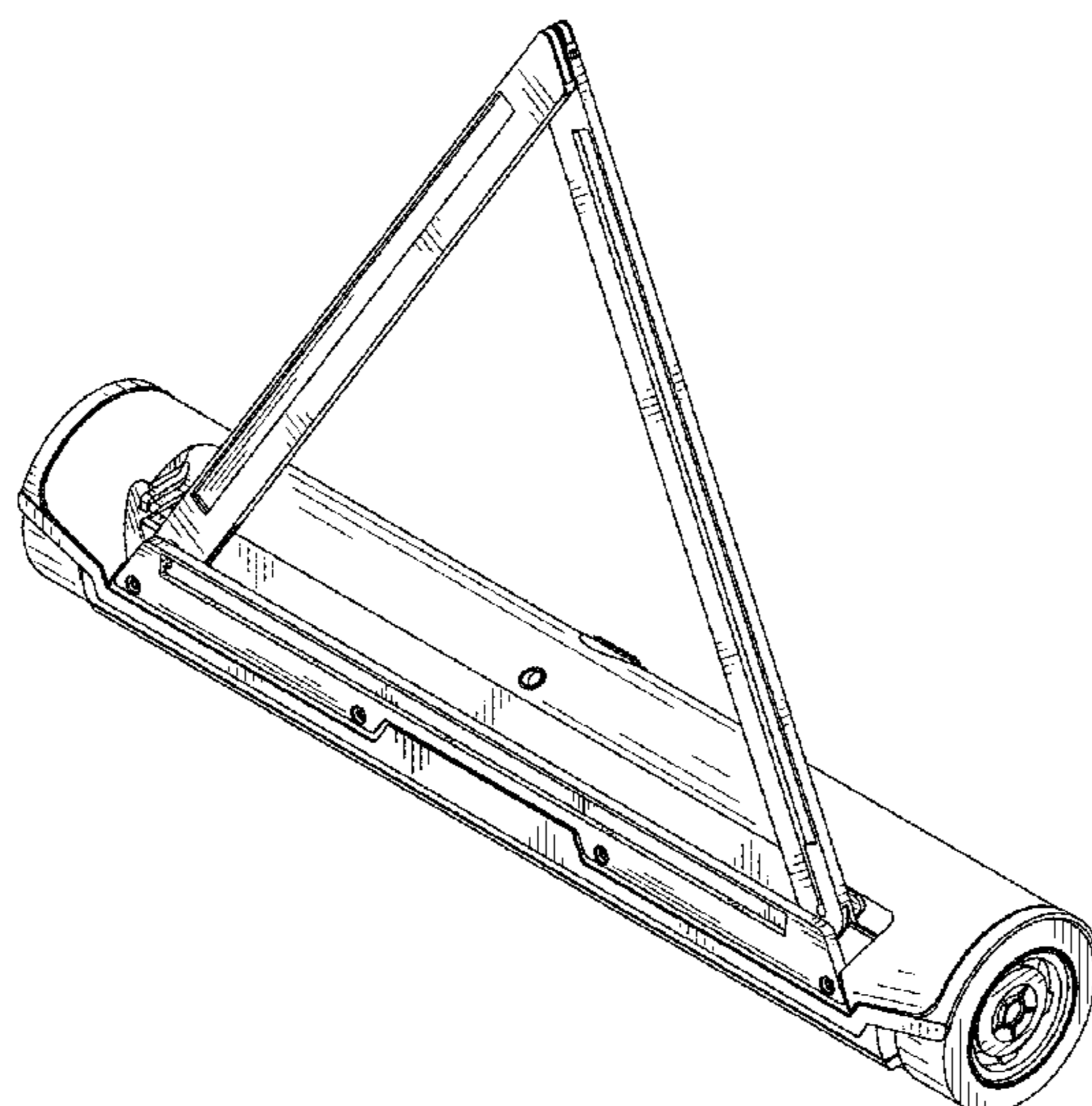
(57) **CLAIM**

The ornamental design for traffic warning device, as shown and as described.

**DESCRIPTION**

FIG. 1 is a perspective view of a traffic warning device showing our design;  
FIG. 2 is a front elevational view of the traffic warning device of FIG. 1;  
FIG. 3 is a rear elevational view of the traffic warning device of FIG. 1;  
FIG. 4 is a left side elevational view of the traffic warning device of FIG. 1;  
FIG. 5 is a right side elevational view of the traffic warning device of FIG. 1;  
FIG. 6 is a top plan view of the traffic warning device of FIG. 1;  
FIG. 7 is a bottom plan view of the traffic warning device of FIG. 1; and,  
FIG. 8 is a perspective view of the traffic warning device of FIG. 1 shown opened for use.

**1 Claim, 8 Drawing Sheets**



(56)

**References Cited**

U.S. PATENT DOCUMENTS

6,276,080	B1 *	8/2001	Brennan	.....	B60Q 1/268 116/63 T
D557,625	S *	12/2007	Yu	.....	D10/113.4
9,242,600	B2 *	1/2016	Al Shalabi	.....	B60Q 7/00
2006/0181432	A1 *	8/2006	Monteith	.....	B60Q 7/00 340/907
2011/0067620	A1 *	3/2011	Li	.....	B60Q 1/52 116/30
2012/0188071	A1 *	7/2012	Ho	.....	B60Q 7/00 340/473

\* cited by examiner

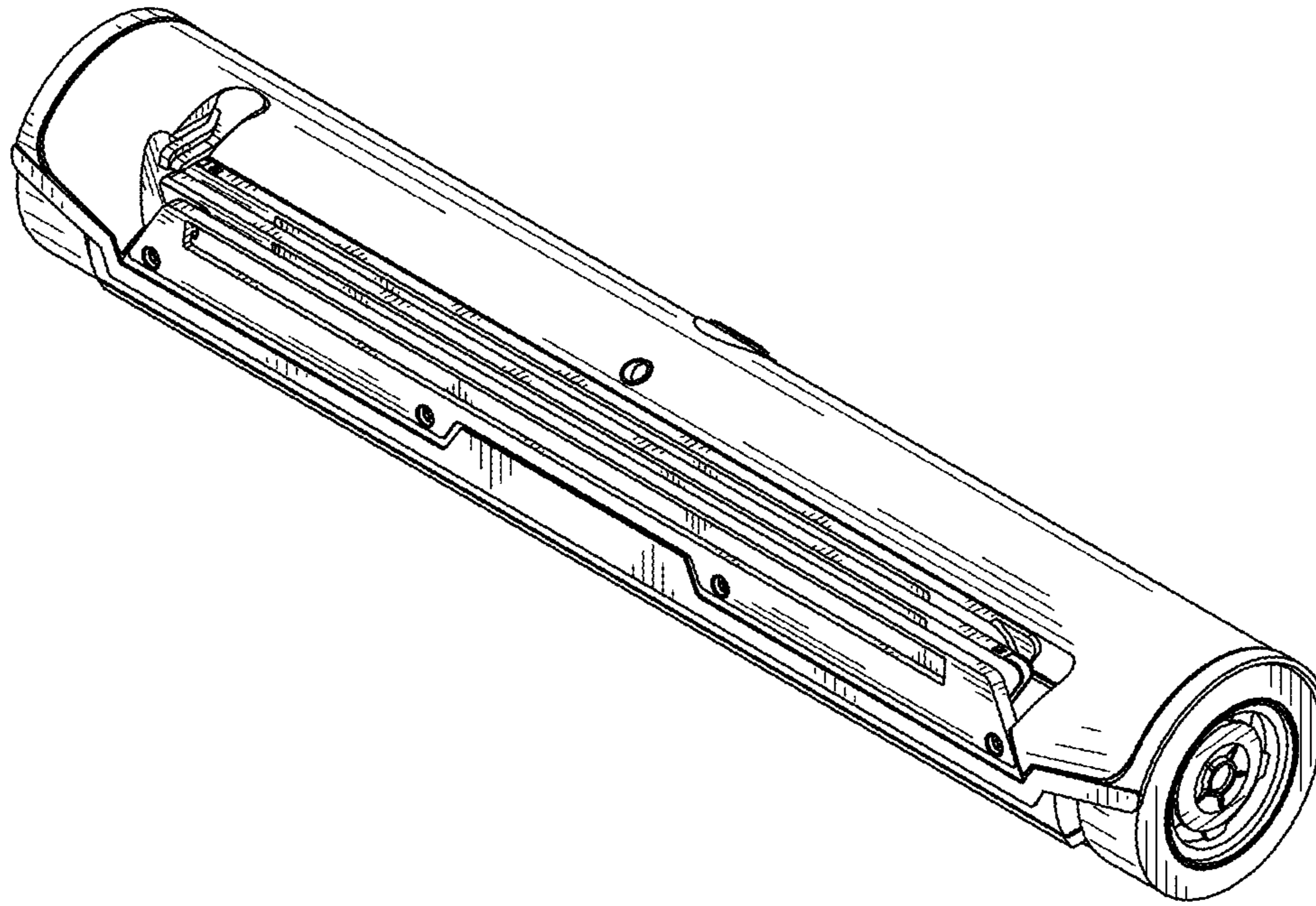


FIG. 1

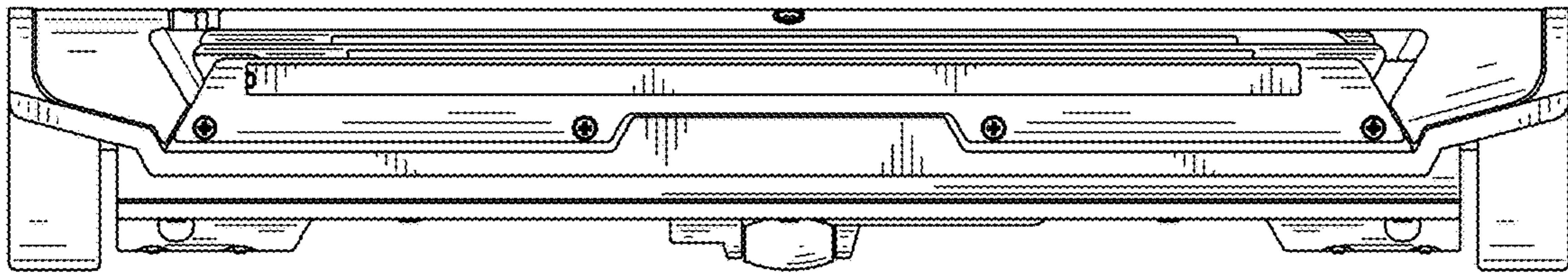


FIG. 2

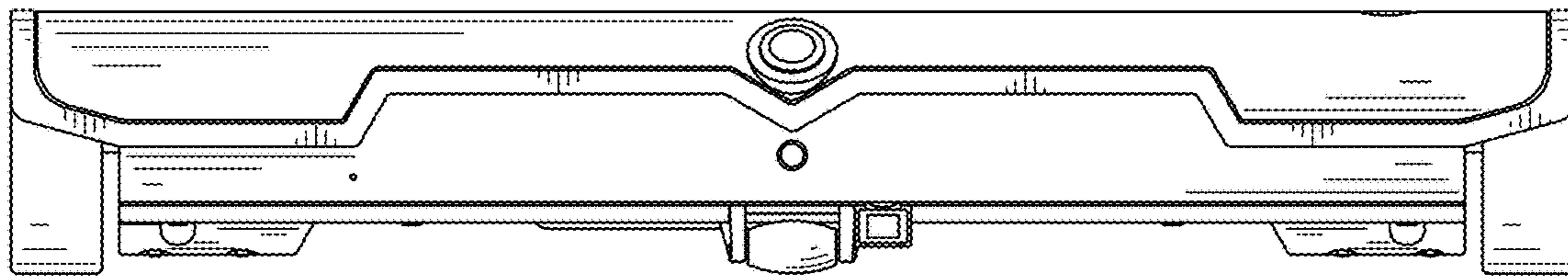


FIG. 3

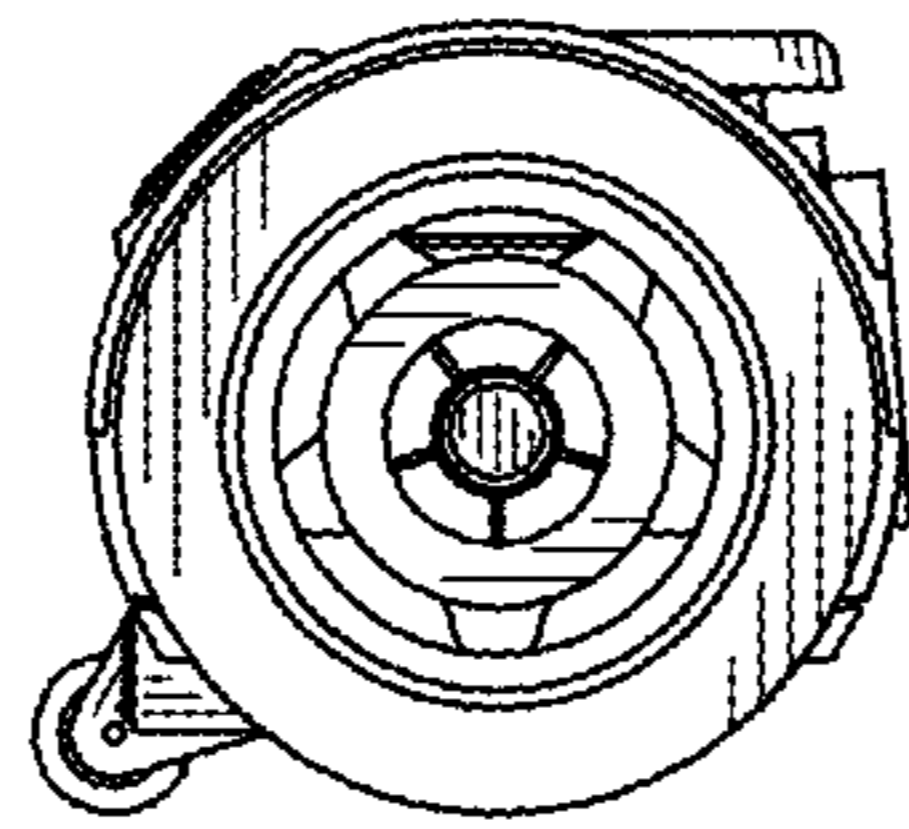


FIG. 4

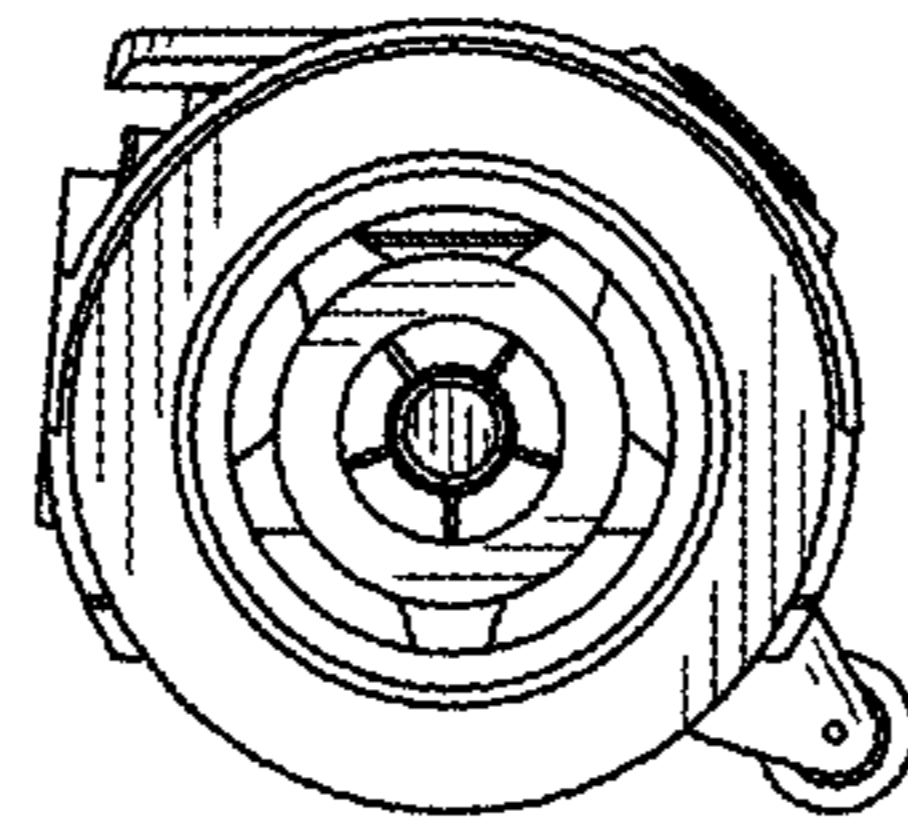


FIG. 5



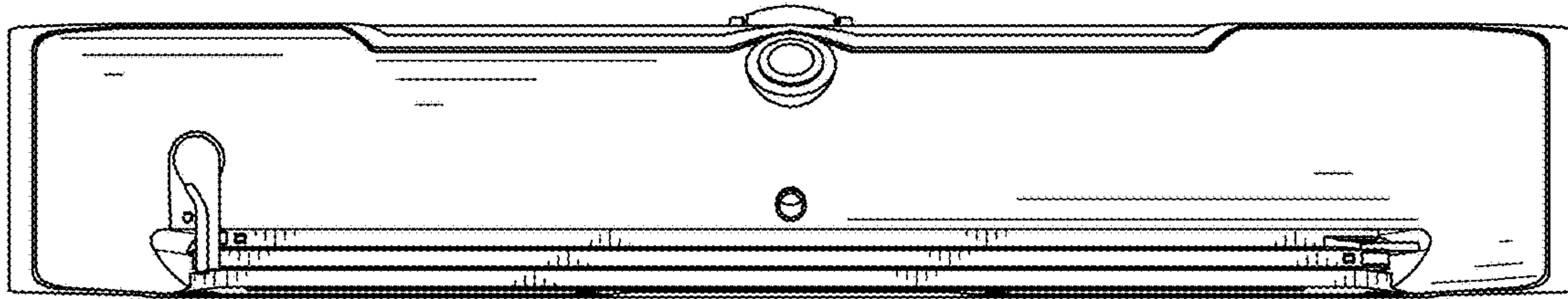


FIG. 6



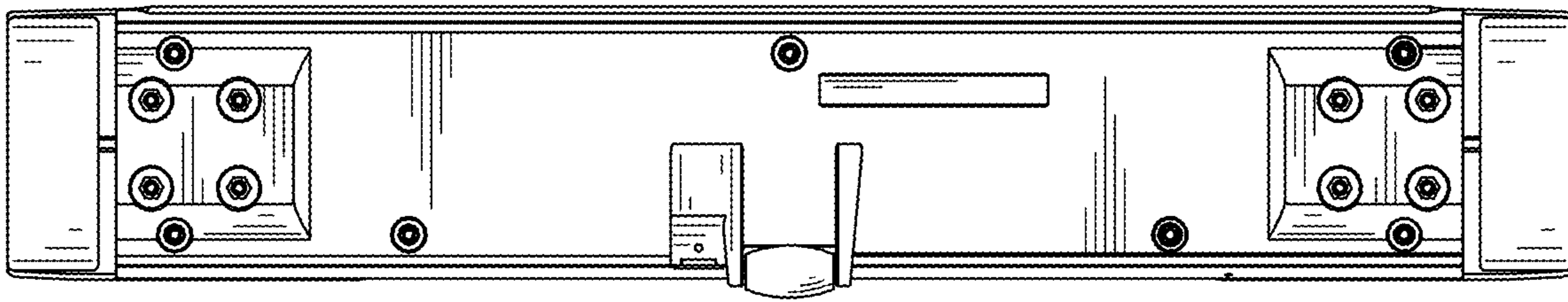


FIG. 7

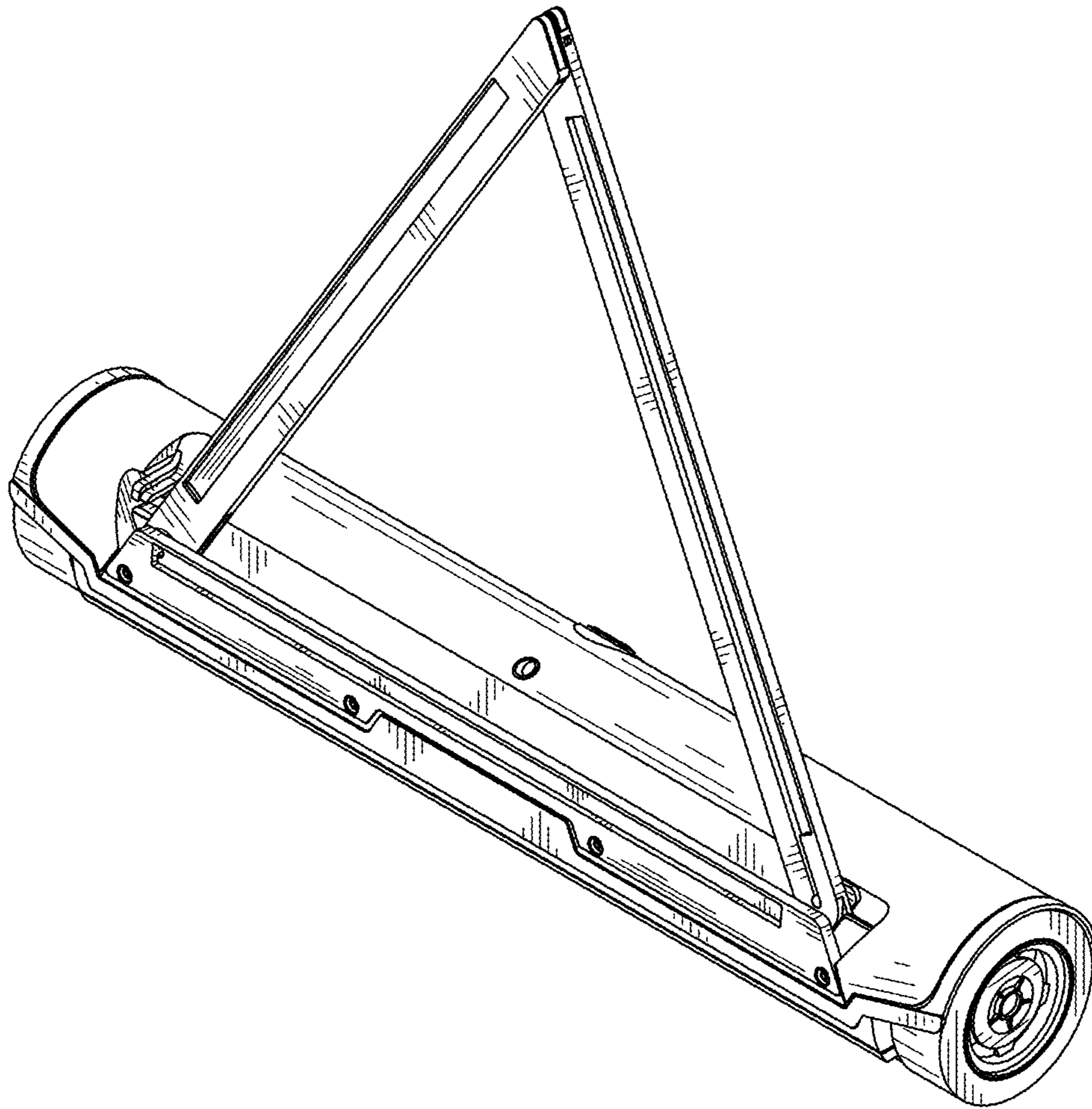


FIG. 8