



US00D787967S

(12) **United States Design Patent** (10) **Patent No.:** **US D787,967 S**  
**Rhoads et al.** (45) **Date of Patent:** **\*\* May 30, 2017**

(54) **SENSOR CAP**

(74) *Attorney, Agent, or Firm* — Finch & Maloney PLLC

(71) Applicant: **SCULLY SIGNAL COMPANY,**  
Wilmington, MA (US)

(57) **CLAIM**

(72) Inventors: **Peter K. Rhoads,** Stow, MA (US);  
**Thaddeus G. Minior,** Atkinson, NH  
(US)

The ornamental designs for a sensor cap, as shown and described.

(73) Assignee: **Scully Signal Company,** Wilmington,  
MA (US)

**DESCRIPTION**

(\*\*) Term: **15 Years**

FIG. 1 is a front perspective view of a sensor cap according to one embodiment of the designs;  
FIG. 2 is a front view thereof;  
FIG. 3 is a back view thereof;  
FIG. 4 is a right view thereof;  
FIG. 5 is a left view thereof;  
FIG. 6 is a top view thereof;  
FIG. 7 is a bottom view thereof;  
FIG. 8 is a front perspective view of a sensor cap according to another embodiment of the designs;  
FIG. 9 is a front view thereof;  
FIG. 10 is a back view thereof;  
FIG. 11 is a right view thereof;  
FIG. 12 is a left view thereof;  
FIG. 13 is a top view thereof; and,  
FIG. 14 is a bottom view thereof.

(21) Appl. No.: **29/542,037**

(22) Filed: **Oct. 9, 2015**

(51) **LOC (10) Cl.** ..... **10-04**

(52) **U.S. Cl.**  
USPC ..... **D10/101**

(58) **Field of Classification Search**  
USPC ..... D10/101  
CPC ..... G01F 23/292; G01F 23/2921; G01F  
23/2922; G01F 23/2924; G01F 23/2925;  
G01F 23/2927; G01F 23/2928  
See application file for complete search history.

The broken lines shown in the drawings form no part of the claimed designs. It is appreciated that the designs illustrated above each comprise a plurality of component designs. In each component design, one or more solid lines of an illustrated design may be dashed to indicate that the dashed line forms no part of the claimed component design. For example, FIG. 15 is a claimed component design of the sensor cap illustrated in FIGS. 1-7.

(56) **References Cited**

**U.S. PATENT DOCUMENTS**

D703,564 S \* 4/2014 Steffahn ..... D10/101

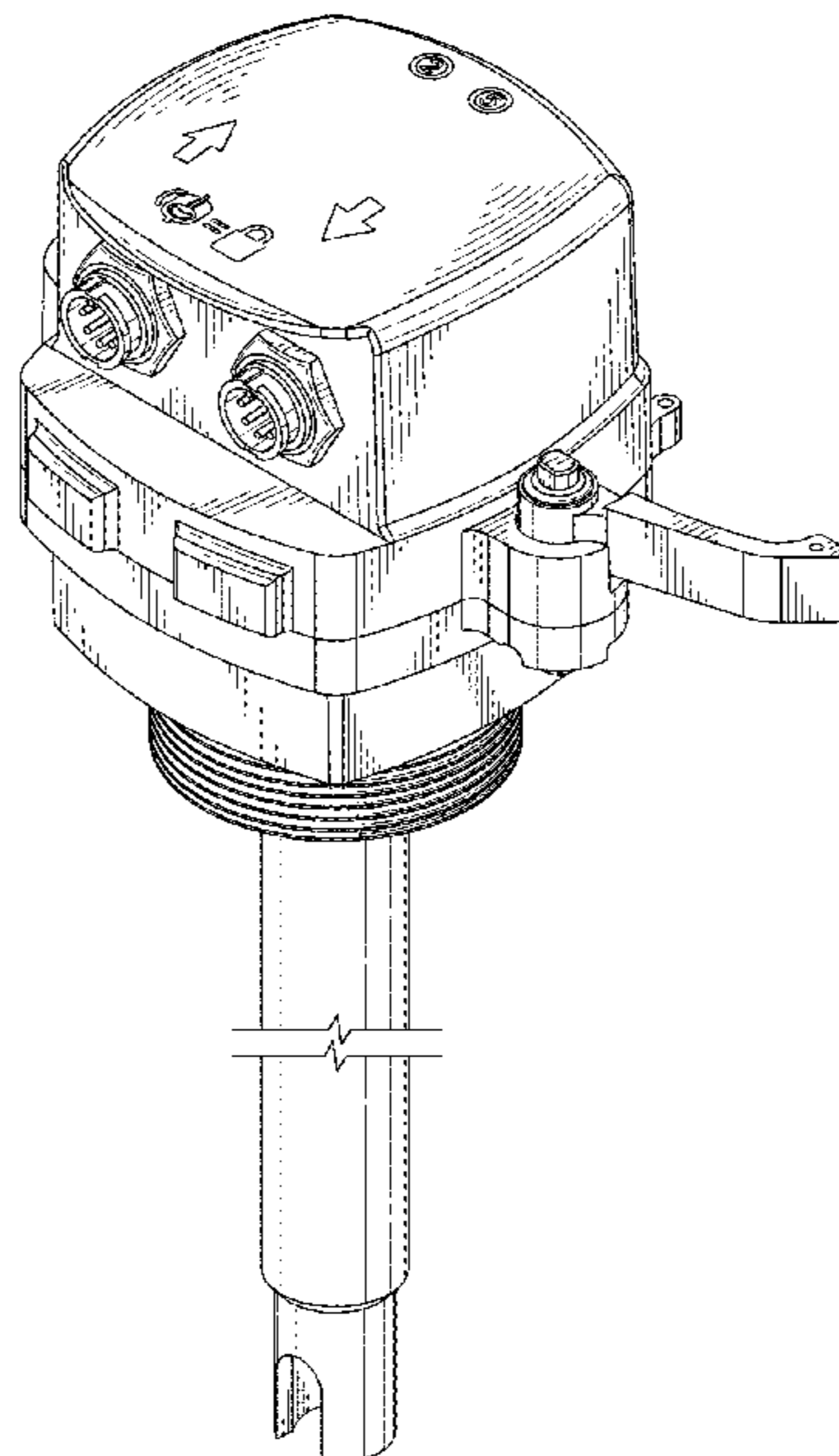
**FOREIGN PATENT DOCUMENTS**

WO 2014120005 A1 8/2014

\* cited by examiner

*Primary Examiner* — Antoine D Davis

**1 Claim, 14 Drawing Sheets**



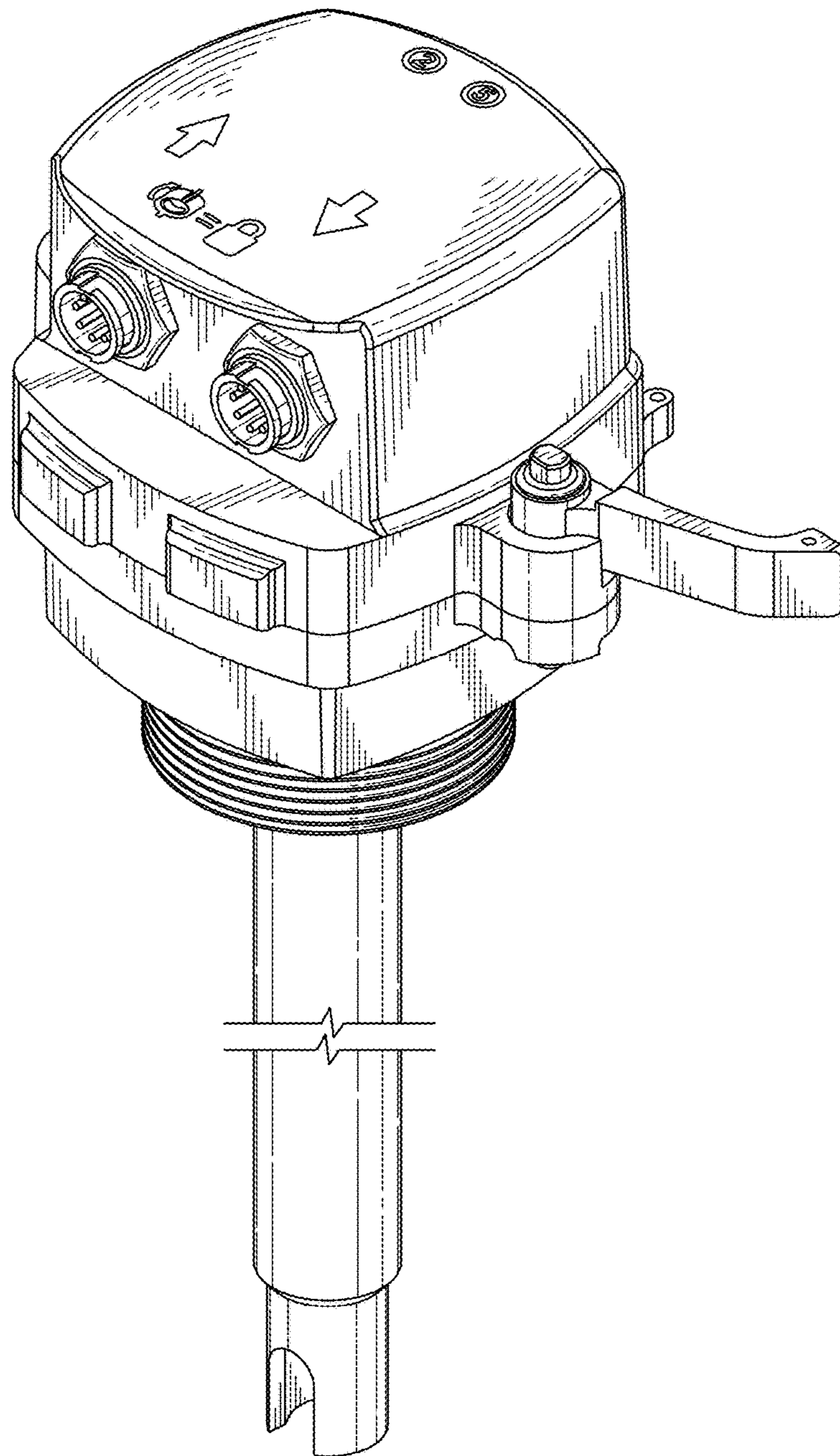


FIG. 1

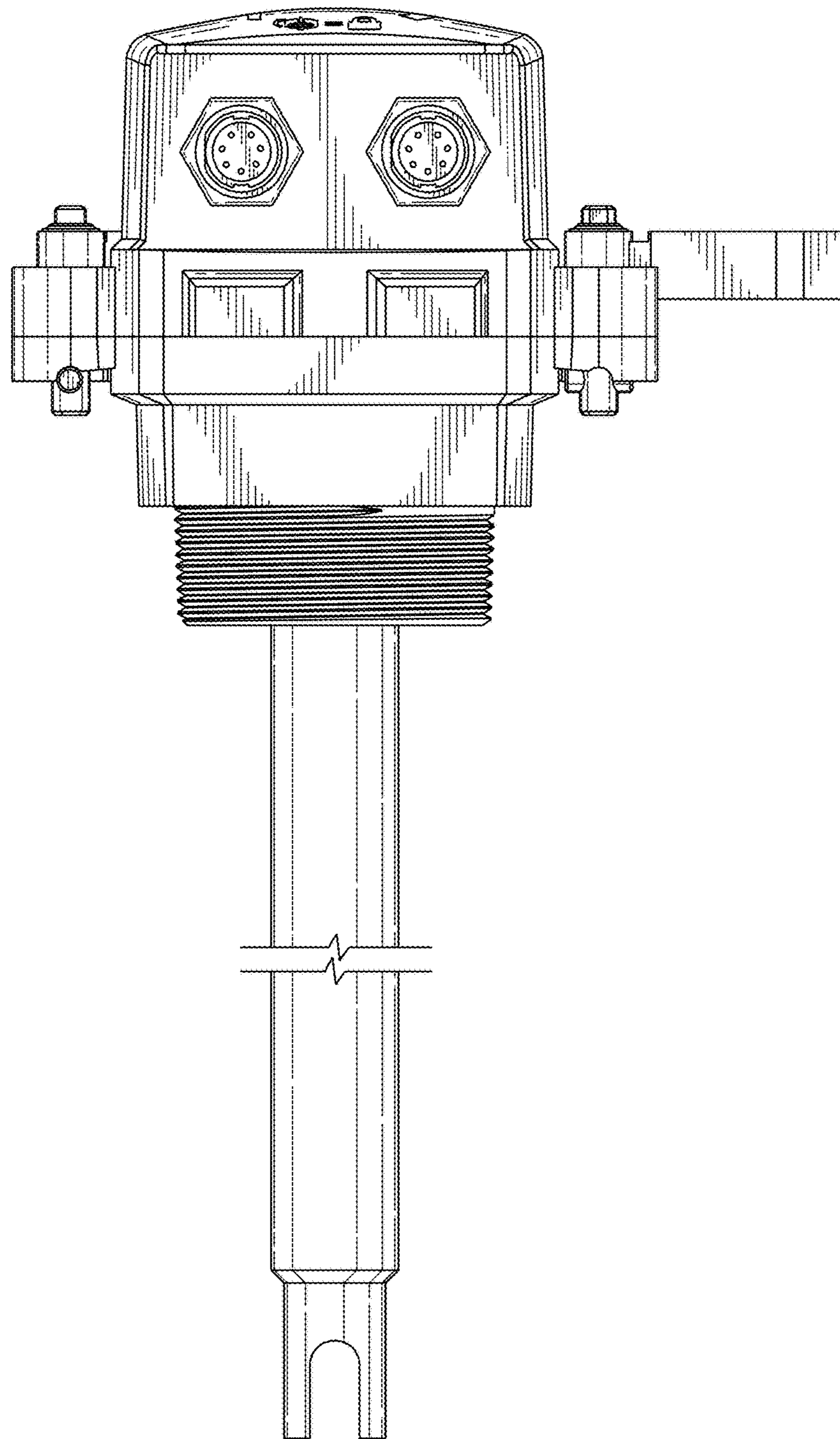


FIG. 2

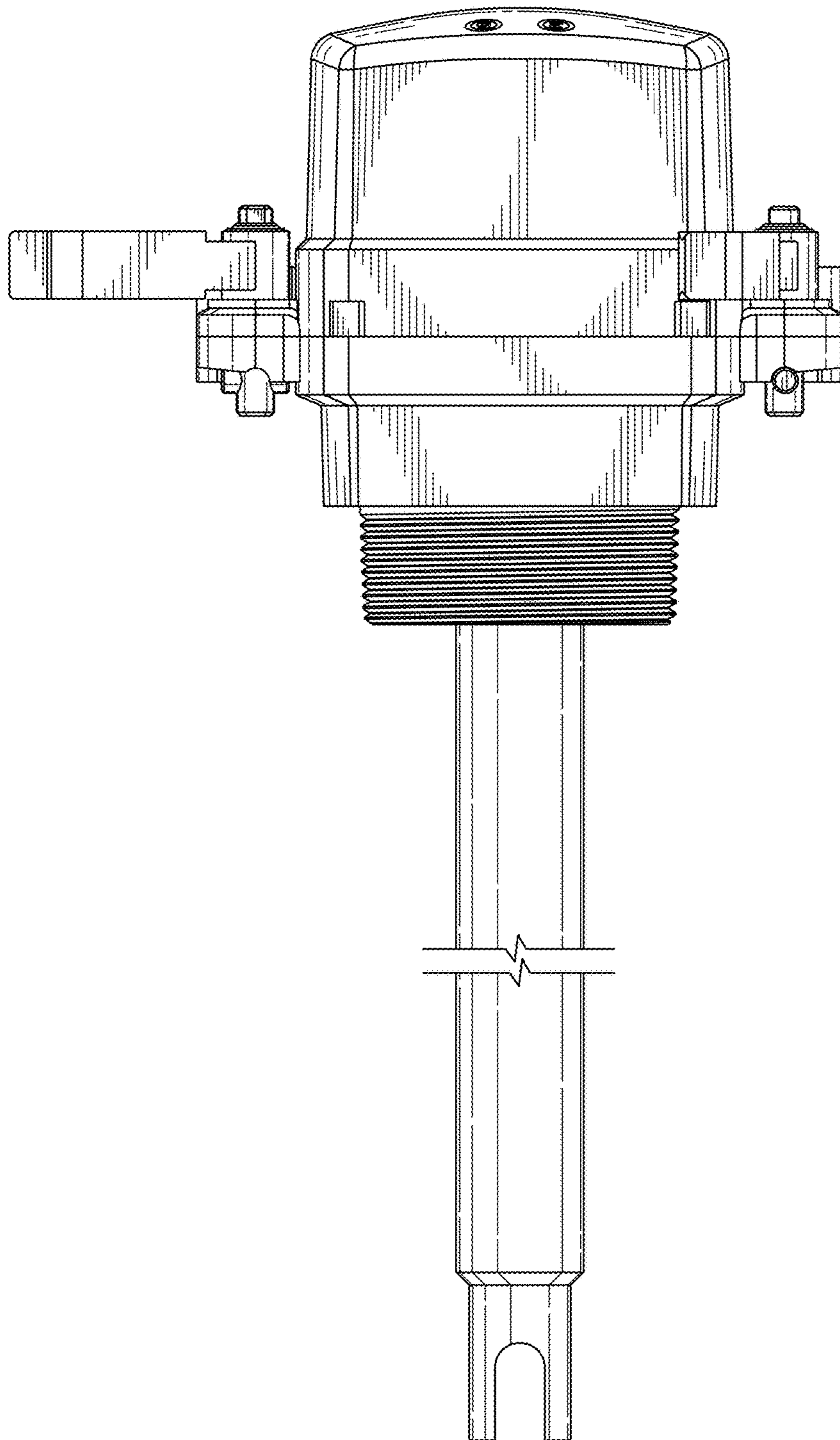


FIG. 3

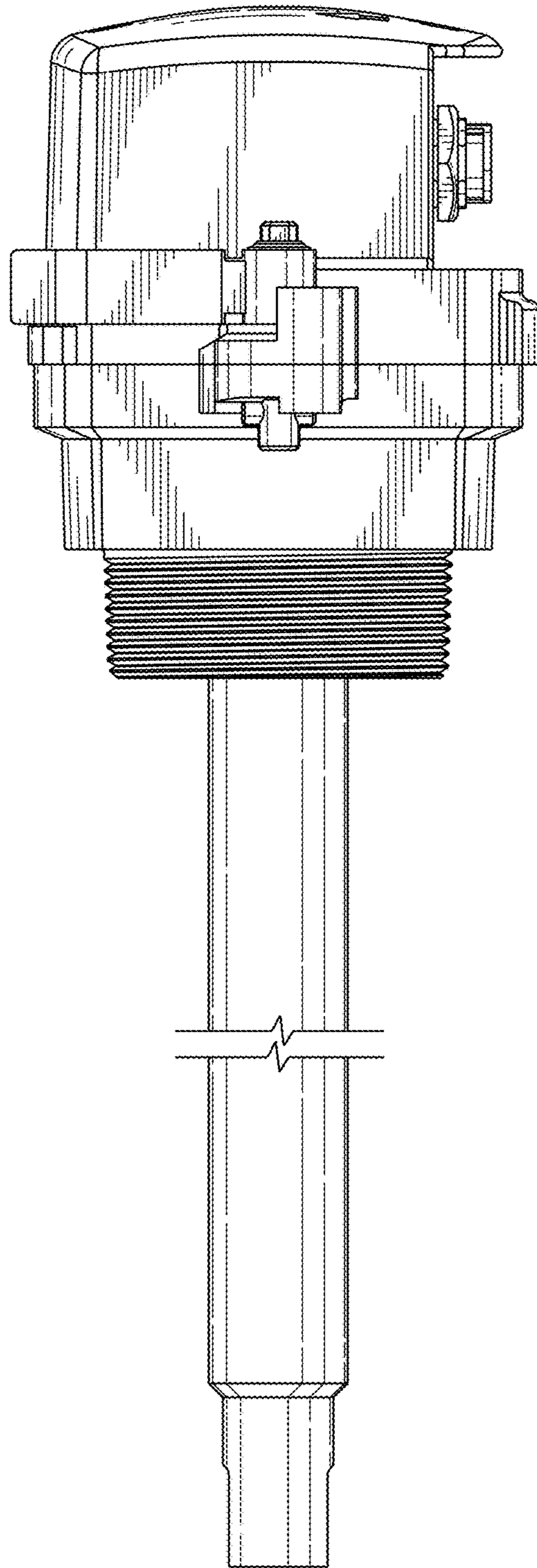


FIG. 4

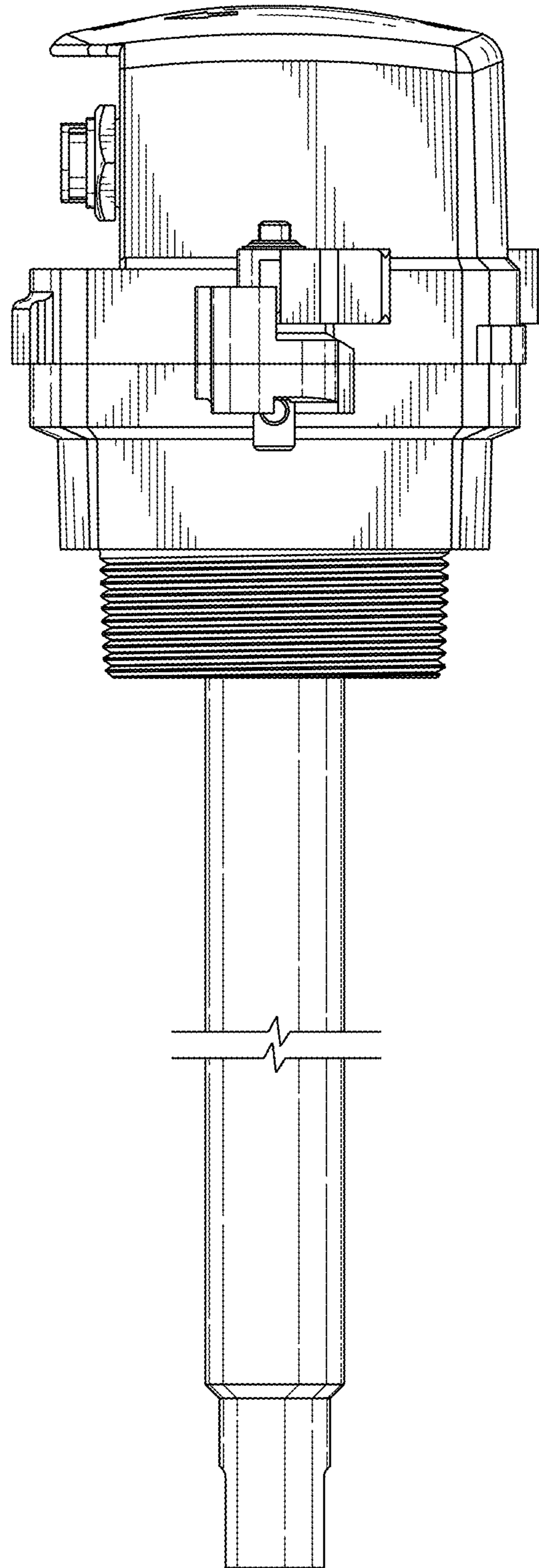


FIG. 5

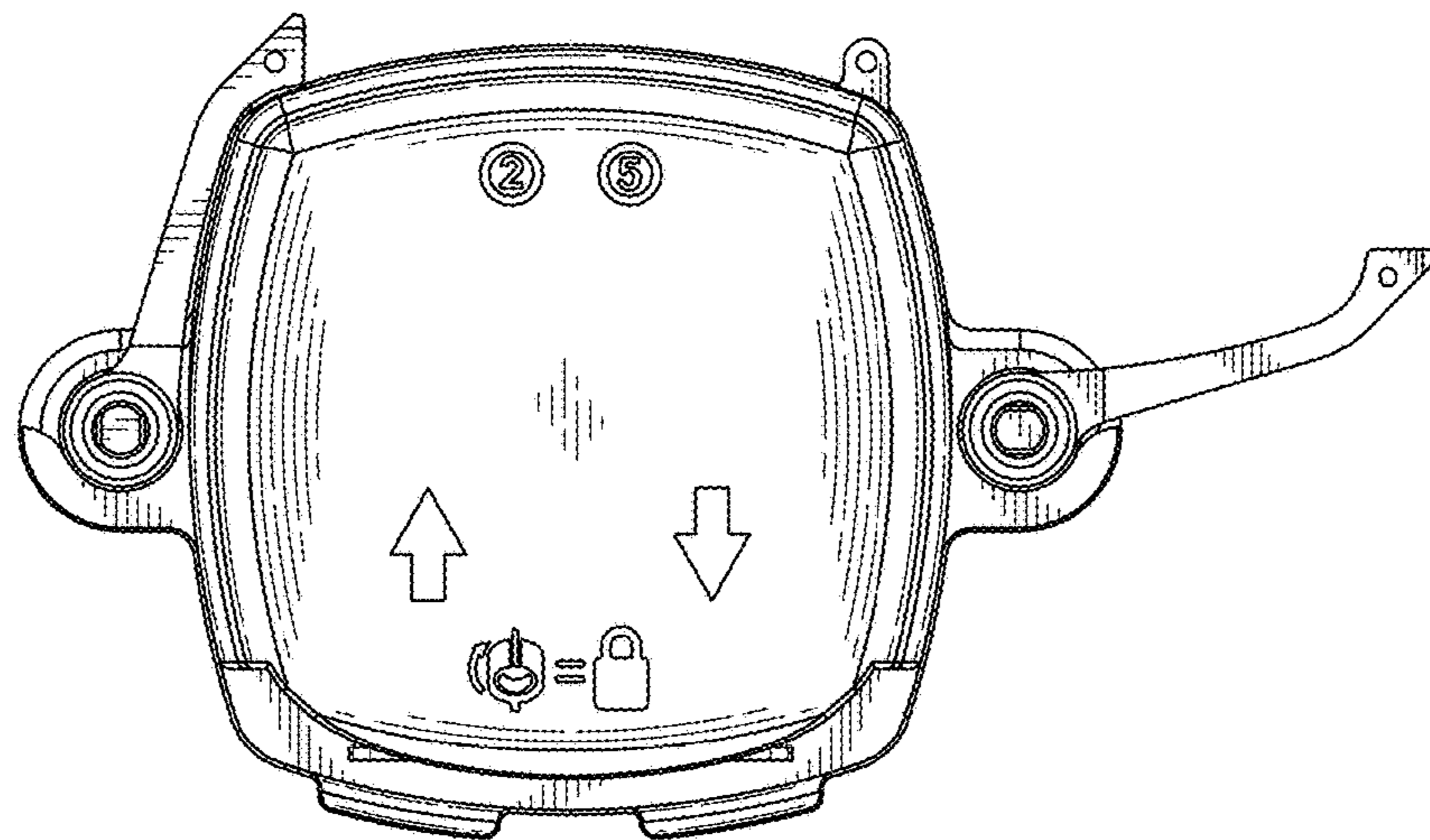


FIG. 6

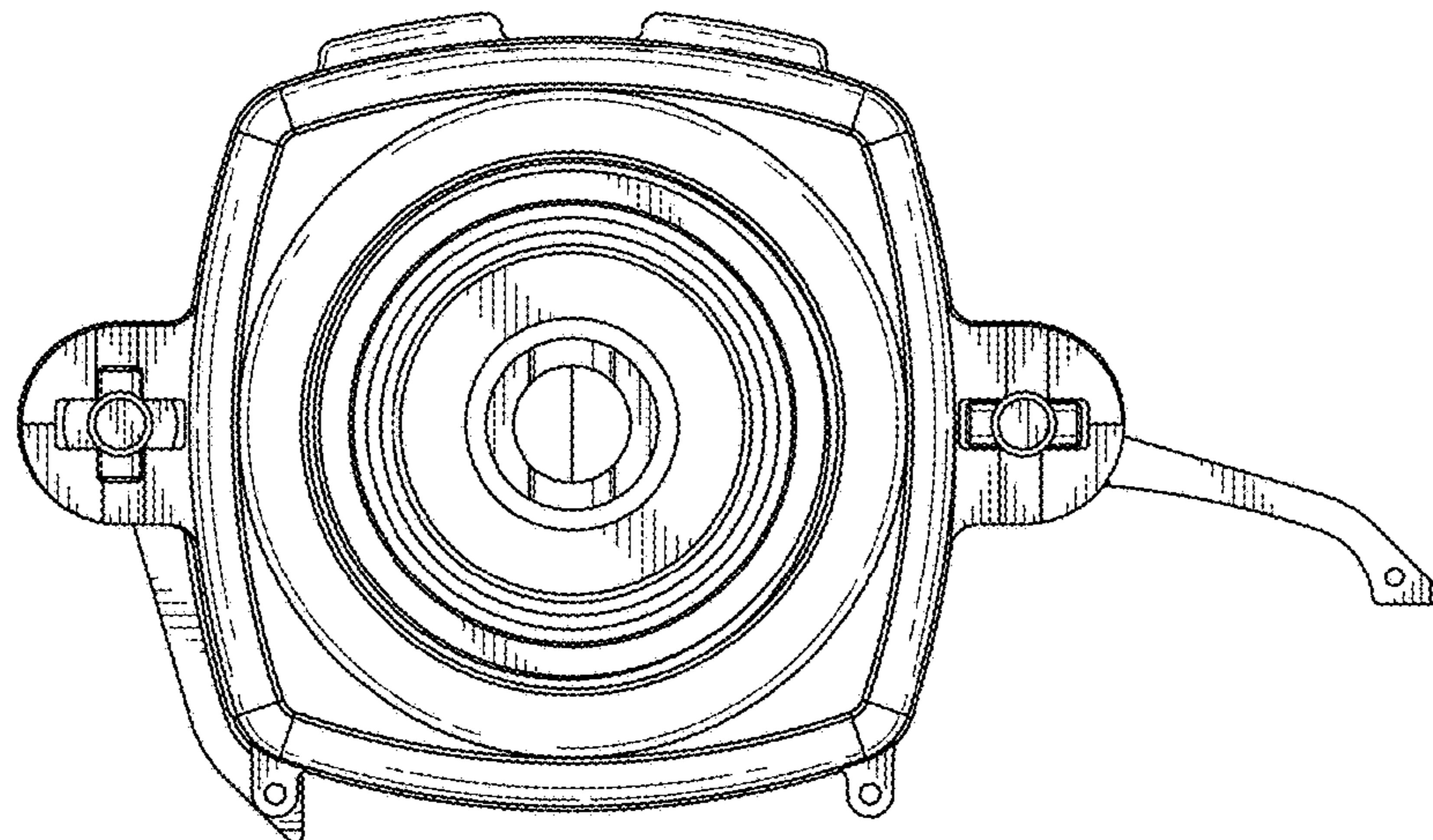


FIG. 7



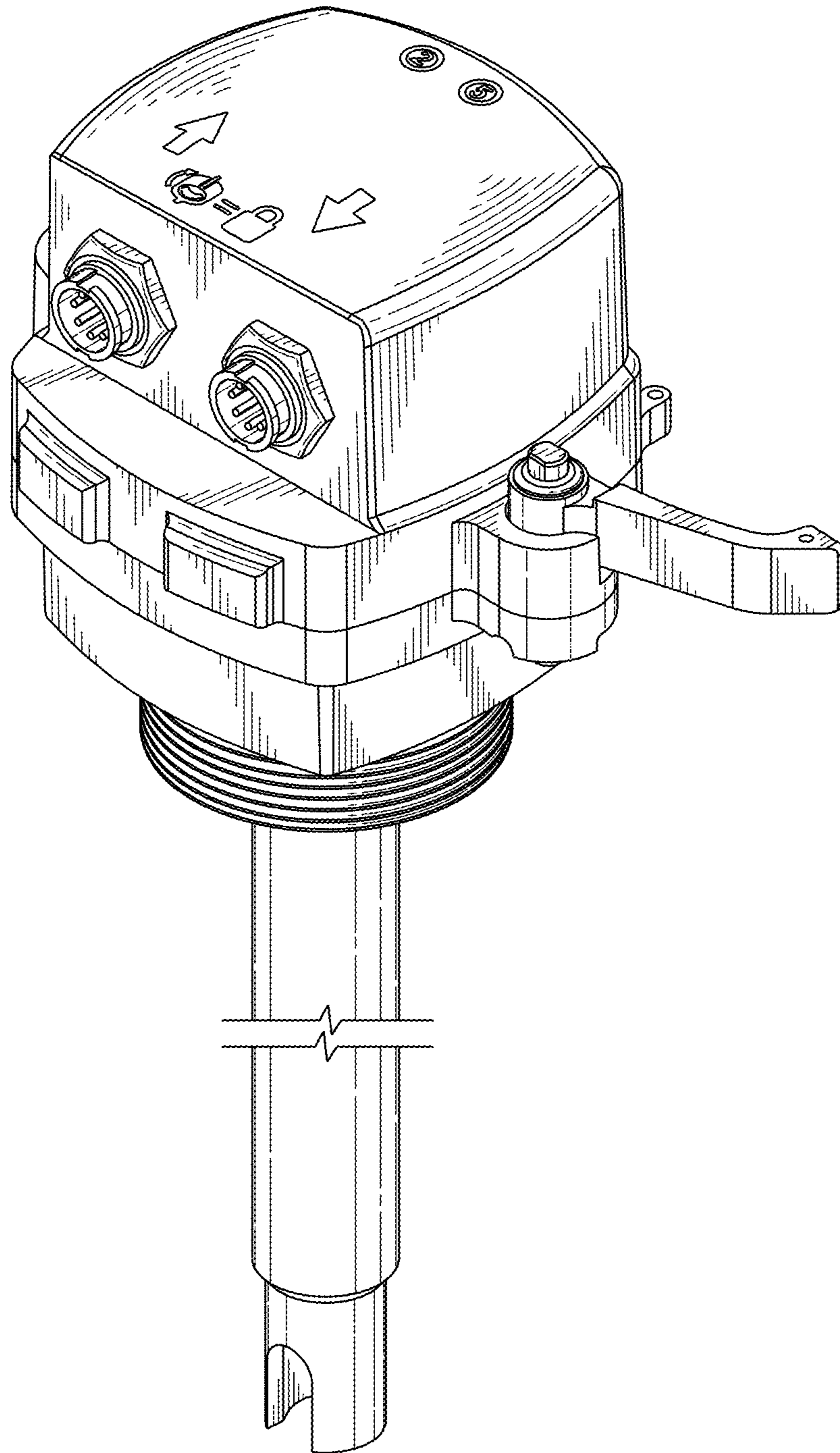


FIG. 8

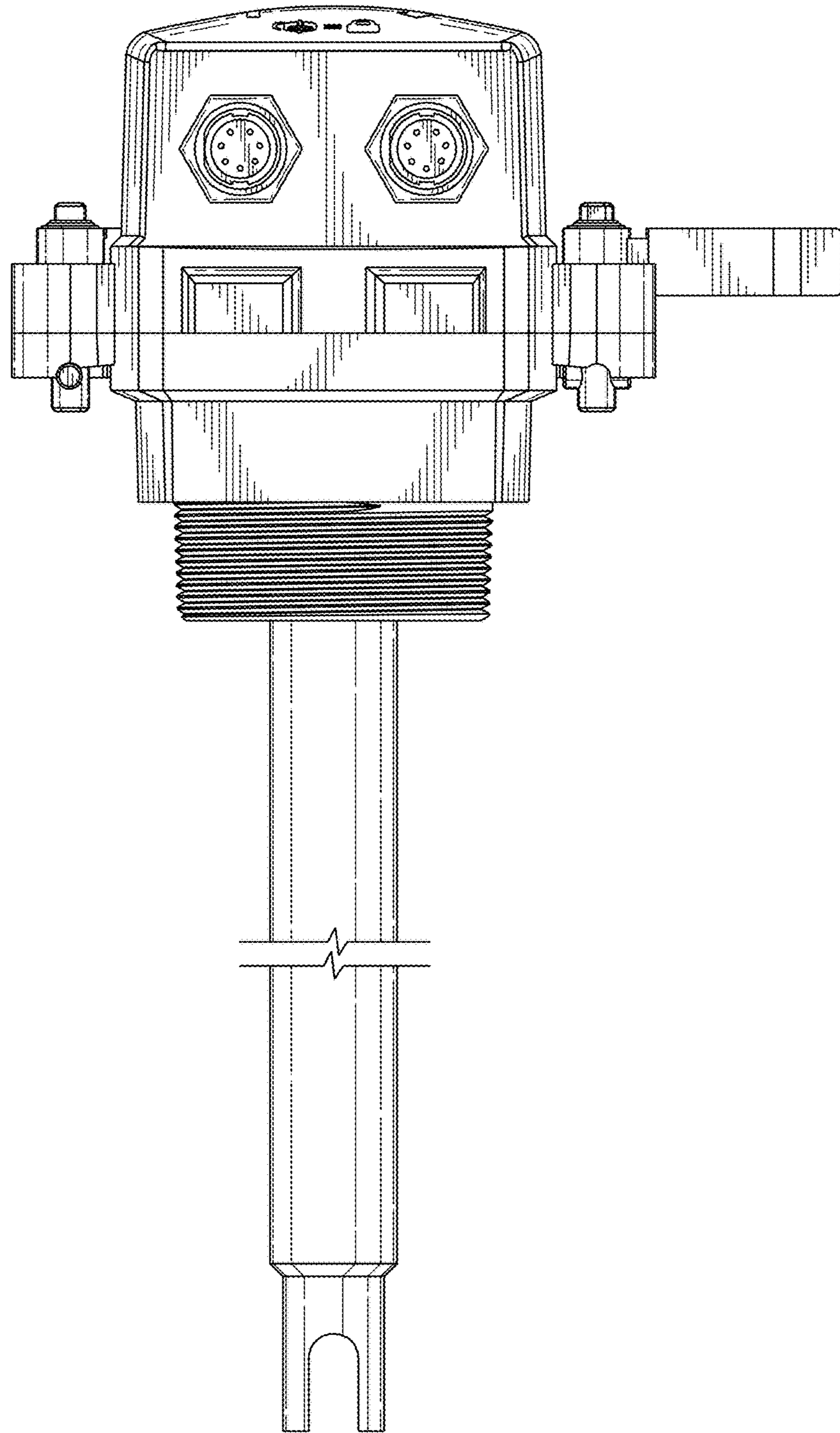


FIG. 9

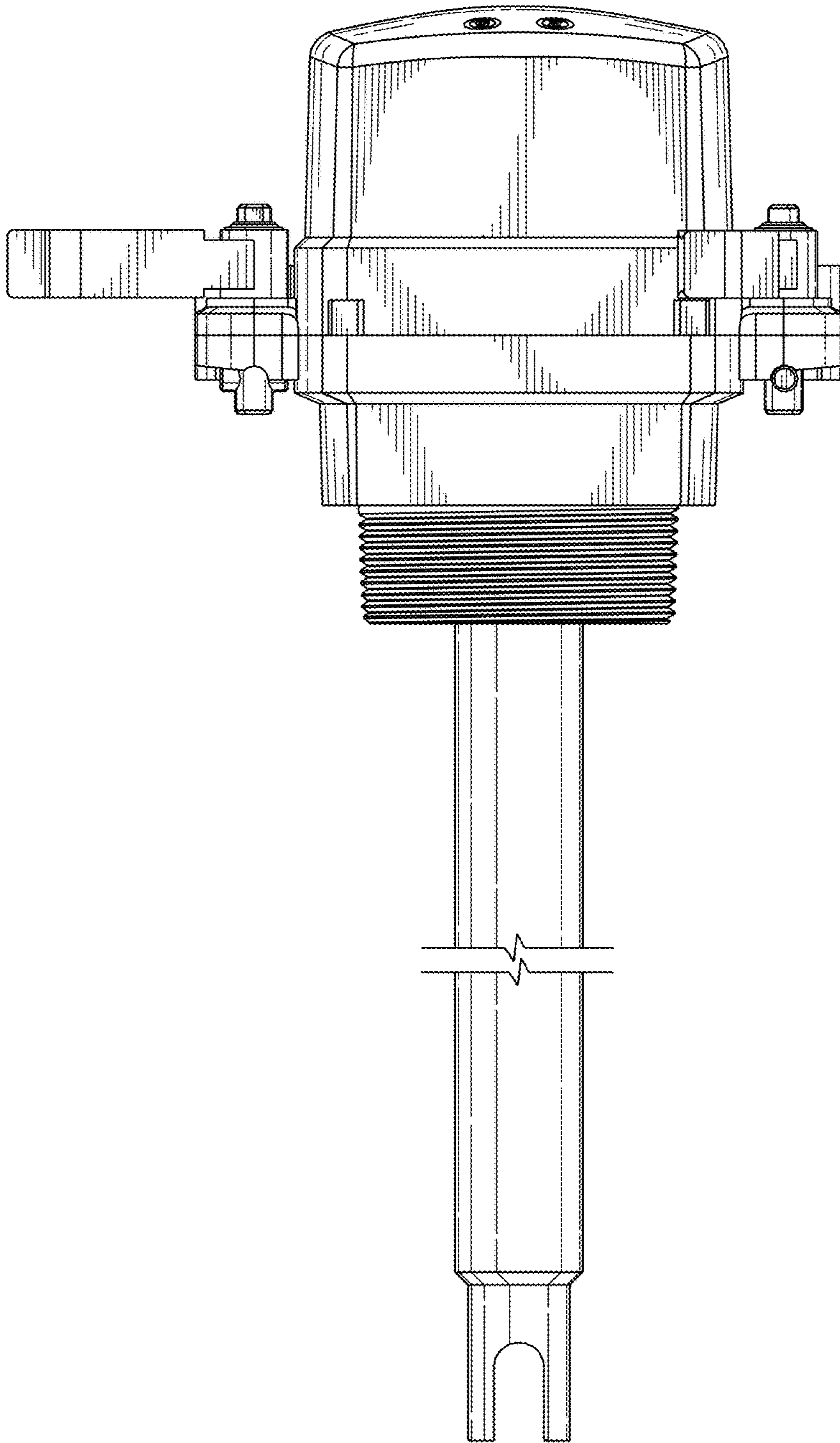


FIG. 10

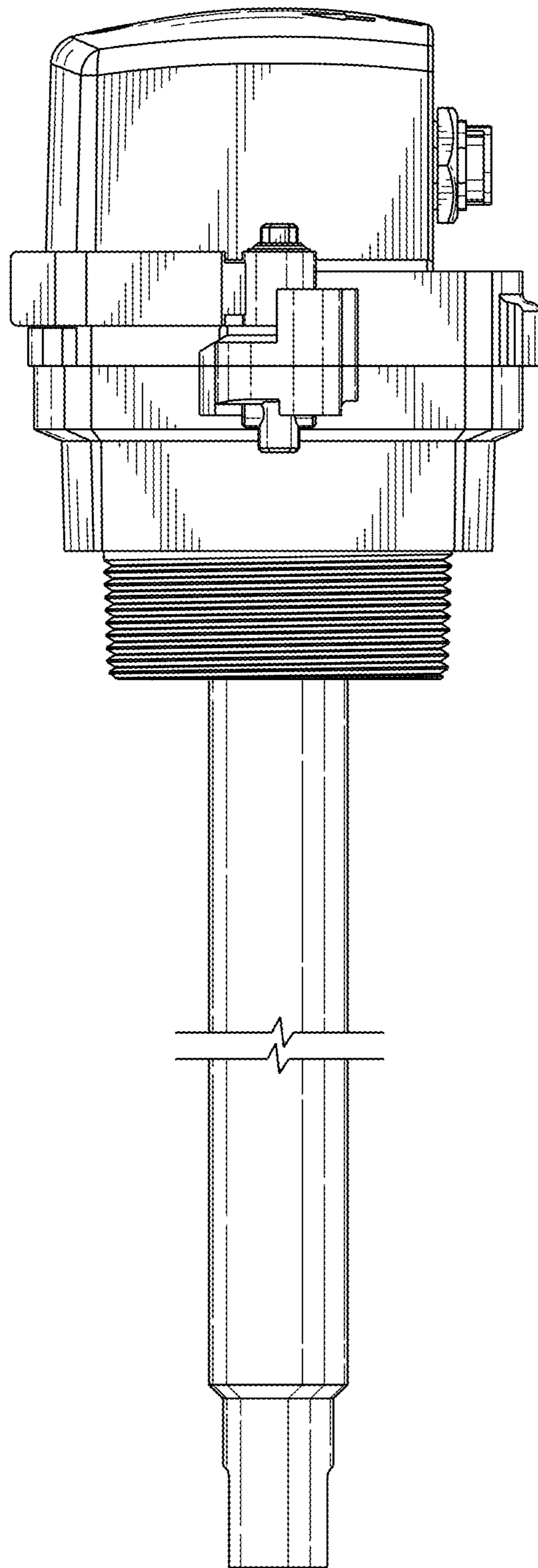


FIG. 11

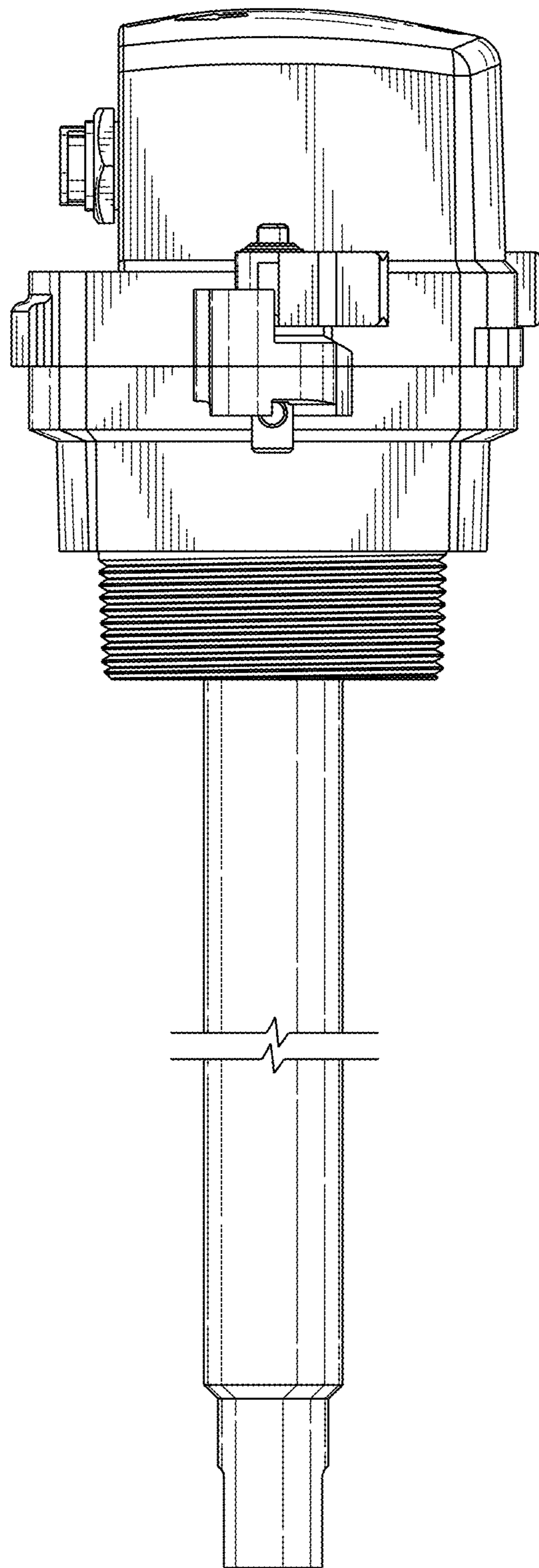


FIG. 12

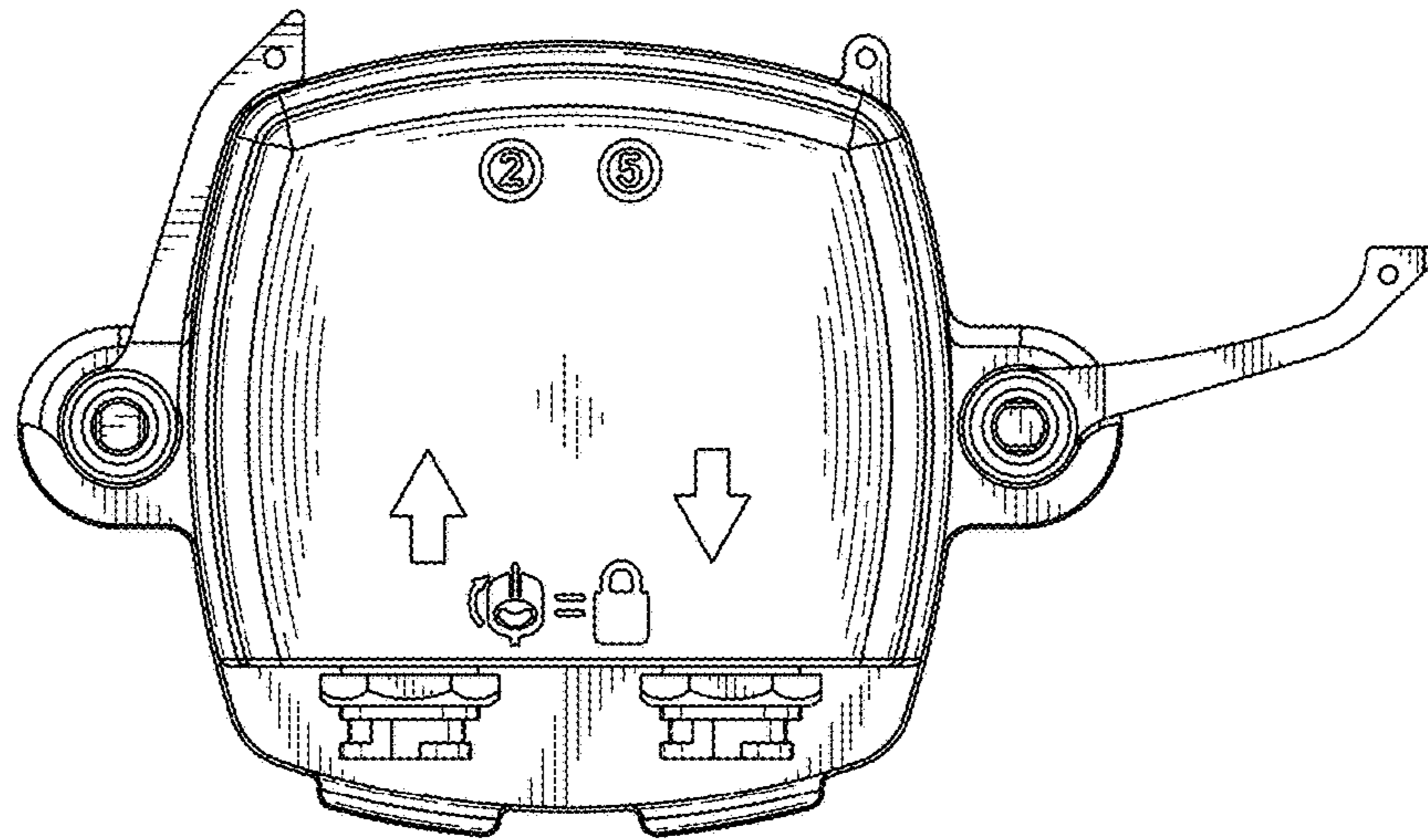


FIG. 13

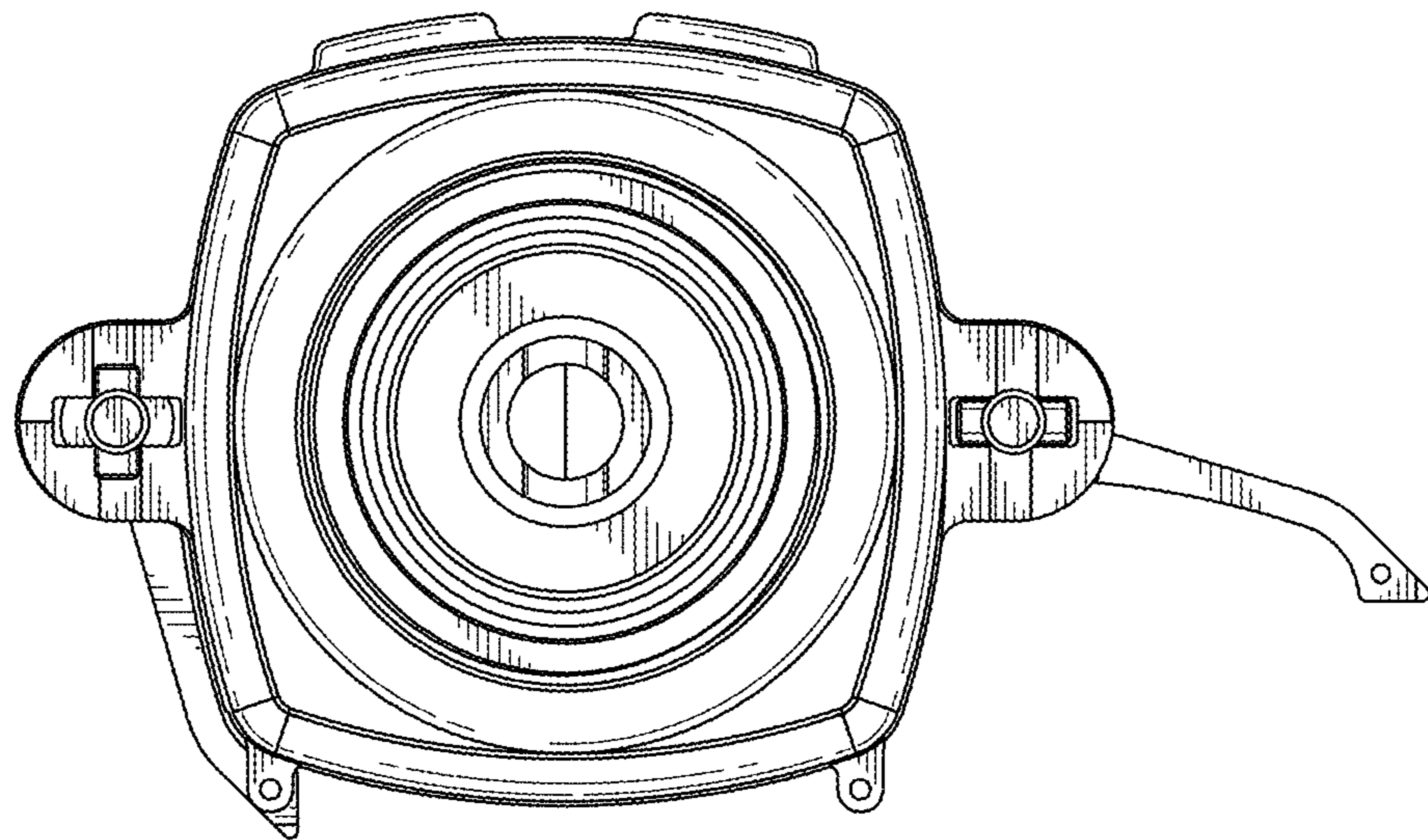


FIG. 14