



US00D787966S

(12) **United States Design Patent**
Pan et al.

(10) **Patent No.:** **US D787,966 S**
(45) **Date of Patent:** **** May 30, 2017**

(54) **WEIGHT MEASURING INSTRUMENT WITH COVER**

(71) Applicant: **Ohaus Instruments (Shanghai) Co., Ltd.**, Shanghai (CN)

(72) Inventors: **Jian Pan**, Changzhou (CN); **Haisong Zhan**, ShangHai (CN); **Duochan Hu**, Chang Zhou (CN); **Jian Cai**, Changzhou (CN)

(73) Assignee: **OHAUS INSTRUMENTS (SHANGHAI) CO., LTD.**, Shanghai (CN)

(**) Term: **15 Years**

(21) Appl. No.: **29/544,729**

(22) Filed: **Nov. 5, 2015**

(30) **Foreign Application Priority Data**

May 14, 2015 (CN) 2015 3 0141938

(51) **LOC (10) Cl.** **10-04**

(52) **U.S. Cl.**
USPC **D10/92; D10/91**

(58) **Field of Classification Search**
USPC D10/87, 88, 89, 90, 91, 92, 93, 94
(Continued)

(56) **References Cited**

U.S. PATENT DOCUMENTS

D670,184 S * 11/2012 Pobocho D10/91
D670,590 S * 11/2012 Pobocho D10/91
D727,766 S * 4/2015 Wu D10/91

* cited by examiner

Primary Examiner — Antoine D Davis

(74) *Attorney, Agent, or Firm* — Standley Law Group LLP

(57) **CLAIM**

The ornamental design for a weight measuring instrument with cover, as shown and described.

DESCRIPTION

FIG. 1 is a front perspective view of a first embodiment of the weight measuring instrument with cover, in which the cover is closed;

FIG. 2 is a top plan view of FIG. 1;

FIG. 3 is a left-side elevation view of FIG. 1;

FIG. 4 is a front elevation view of FIG. 1;

FIG. 5 is a right-side elevation view of FIG. 1

FIG. 6 is a rear elevation view of FIG. 1; and

FIG. 7 is a bottom plan view of FIG. 1;

FIG. 8 is a front perspective view of the first embodiment of the weight measuring instrument with cover, in which the cover is open;

FIG. 9 is a top plan view of FIG. 8;

FIG. 10 is a left-side elevation view of FIG. 8;

FIG. 11 is a front elevation view of FIG. 8;

FIG. 12 is a right-side elevation view of FIG. 8;

FIG. 13 is a rear elevation view of FIG. 8; and

FIG. 14 is a bottom plan view of FIG. 8;

FIG. 15 is a front perspective view of a second embodiment of the weight measuring instrument with cover, with the cover closed;

FIG. 16 is a top plan view of FIG. 15;

FIG. 17 is a left-side elevation view of FIG. 15;

FIG. 18 is a front elevation view of FIG. 15;

FIG. 19 is a right-side elevation view of FIG. 15;

FIG. 20 is a rear elevation view of FIG. 15; and

FIG. 21 is a bottom plan view of FIG. 15;

FIG. 22 is a front perspective view of the second embodiment of the weight measuring instrument with cover, with the cover open;

FIG. 23 is a top plan view of FIG. 22;

FIG. 24 is a left-side elevation view of FIG. 22;

FIG. 25 is a front elevation view of FIG. 22;

FIG. 26 is a right-side elevation view of FIG. 22;

FIG. 27 is a rear elevation view of FIG. 22; and

FIG. 28 is a bottom plan view of FIG. 22;

FIG. 29 is a front perspective view of a third embodiment of the weight measuring instrument with cover, with the cover closed;

FIG. 30 is a top plan view of FIG. 29;

FIG. 31 is a left-side elevation view of FIG. 29;

FIG. 32 is a front elevation view of FIG. 29;

FIG. 33 is a right-side elevation view of FIG. 29;

FIG. 34 is a rear elevation view of FIG. 29; and

FIG. 35 is a bottom plan view of FIG. 29;

(Continued)

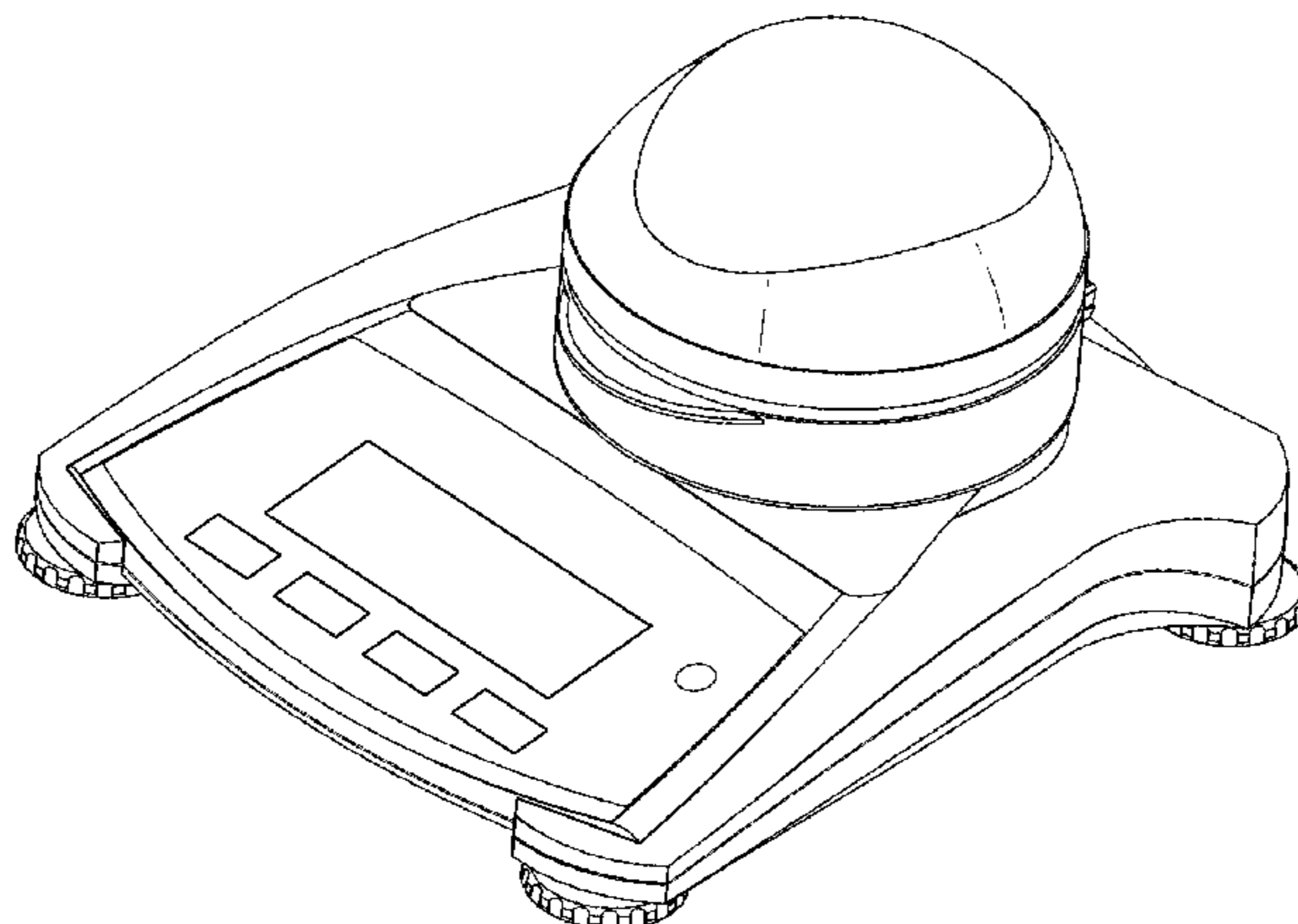


FIG. 36 is a front perspective view of the third embodiment of the weight measuring instrument with cover, with the cover open;

FIG. 37 is a top plan view of FIG. 36;

FIG. 38 is a left-side elevation view of FIG. 36;

FIG. 39 is a front elevation view of FIG. 36;

FIG. 40 is a right-side elevation view of FIG. 36;

FIG. 41 is a rear elevation view of FIG. 36; and,

FIG. 42 is a bottom plan view of FIG. 36.

The broken lines on several figures are for the purpose of non-claimed subject matter of the weight measuring instrument with cover.

1 Claim, 42 Drawing Sheets

(58) Field of Classification Search

CPC A61B 5/053; A61B 5/4872; A61B 5/0537;
A61B 5/4869; A61B 5/6825; A61B
5/6829; A61B 5/7445; G01G 19/44;
G01G 19/445; G01G 19/46; G01G 19/48;
G01G 19/50; G01G 21/28; G01G 21/283;
G01G 19/286; G01G 19/30

See application file for complete search history.

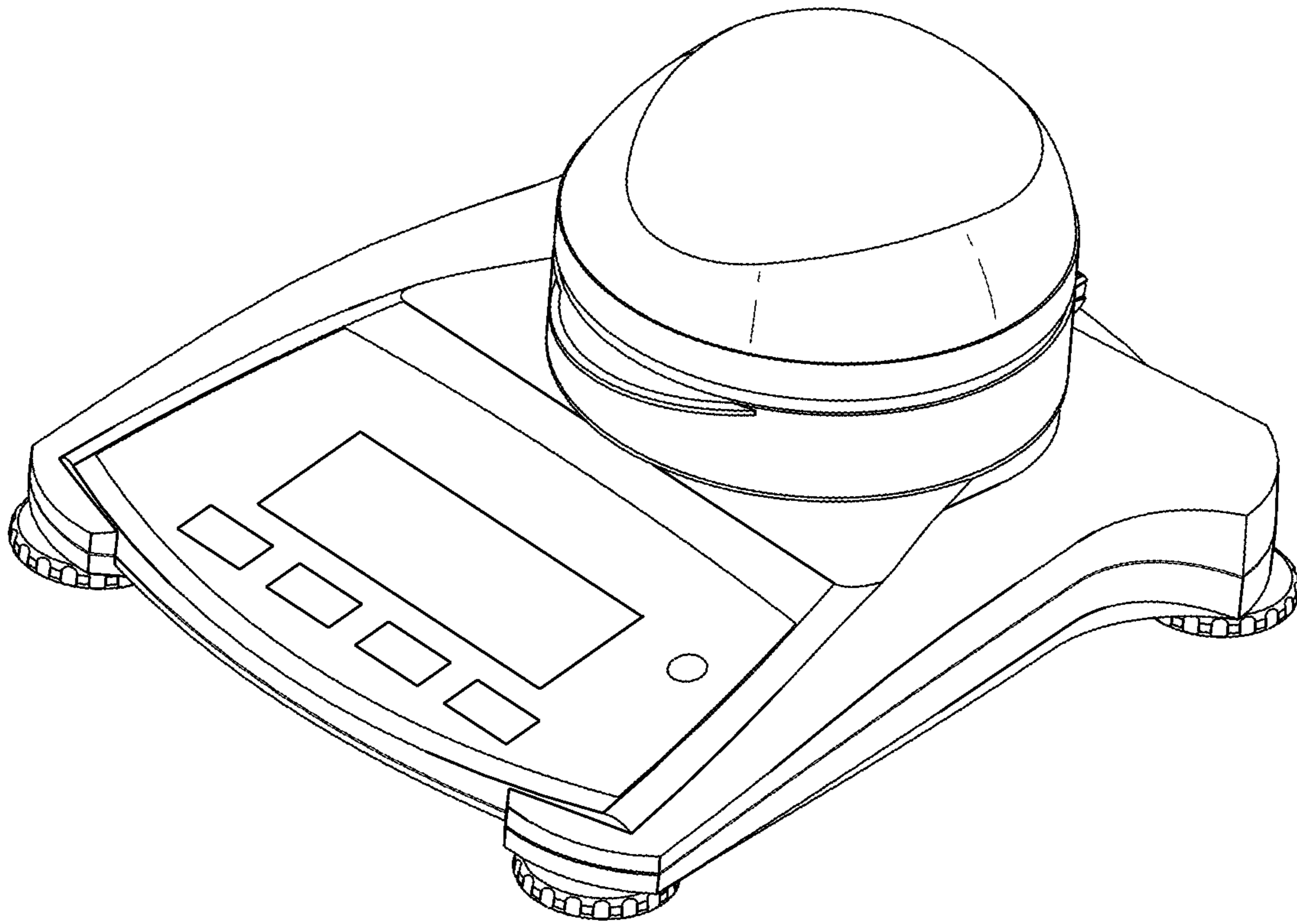


FIG. 1

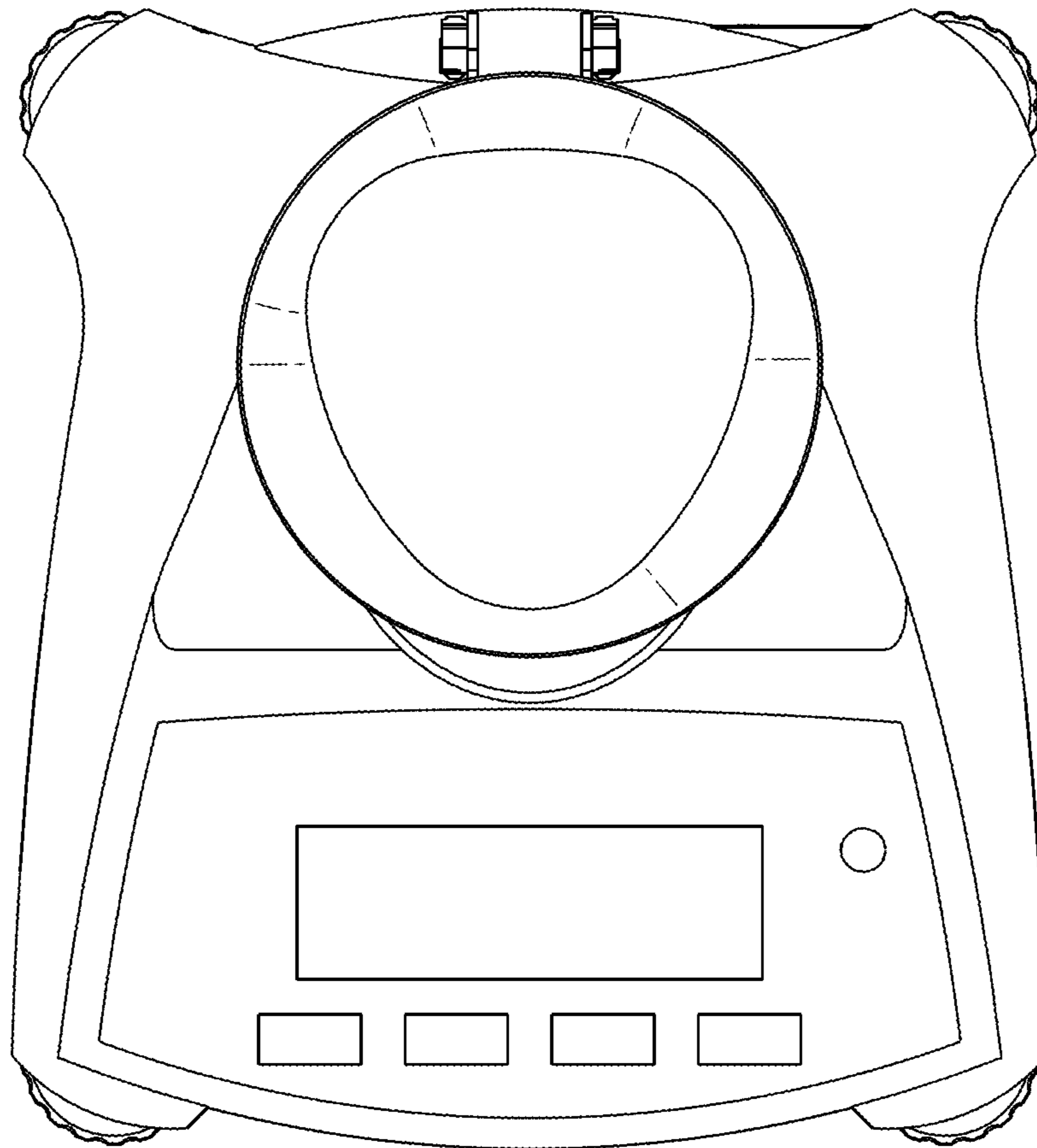


FIG. 2

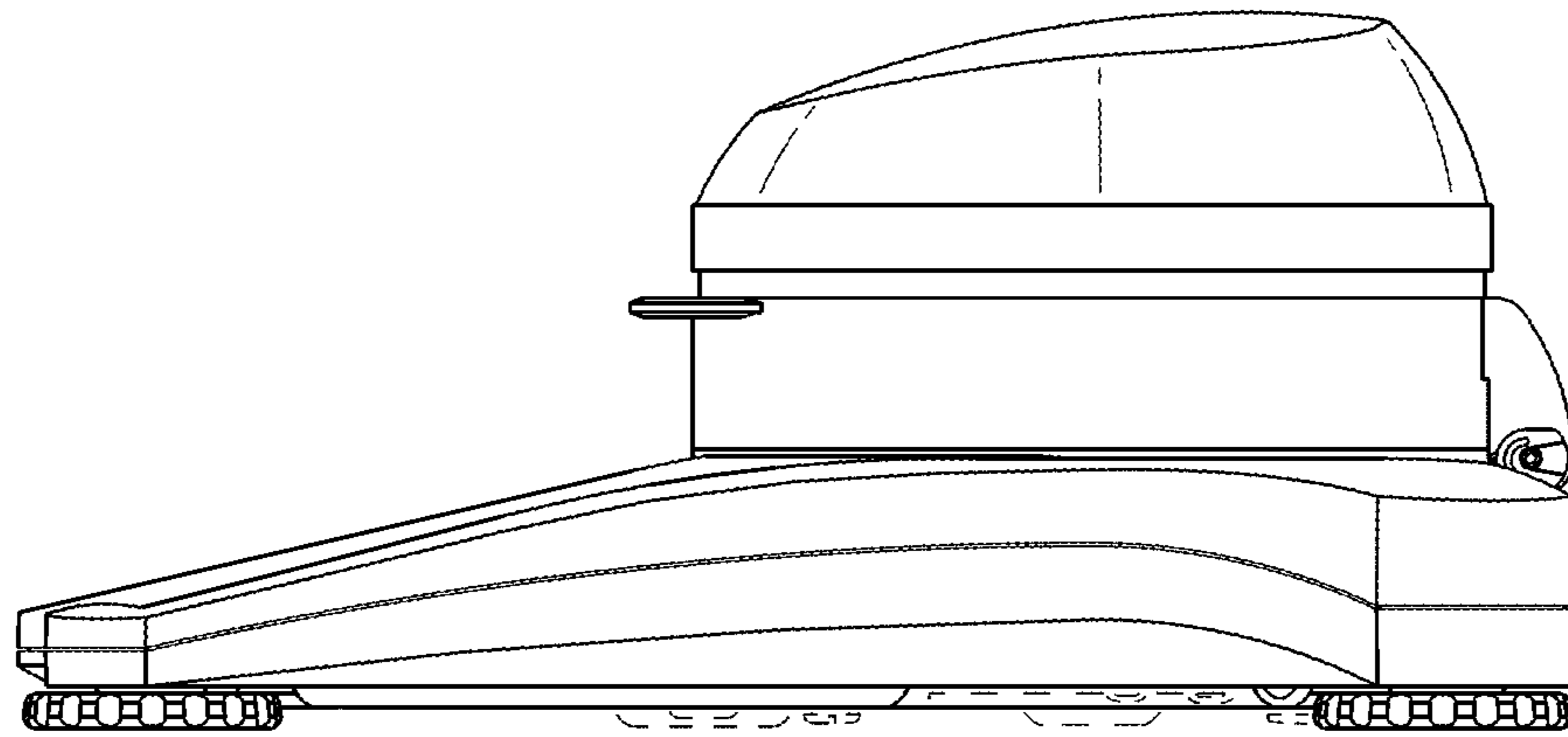


FIG. 3

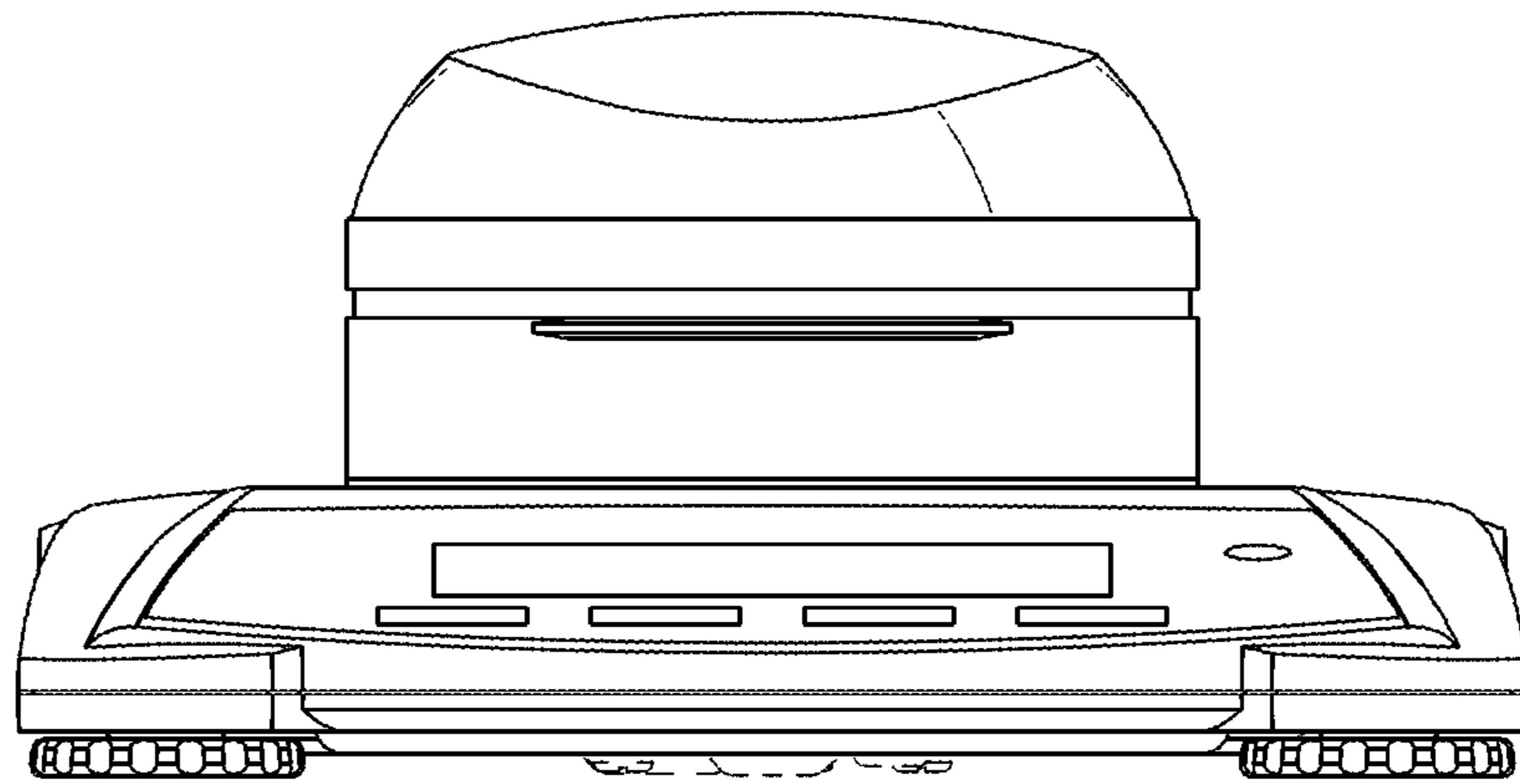


FIG. 4

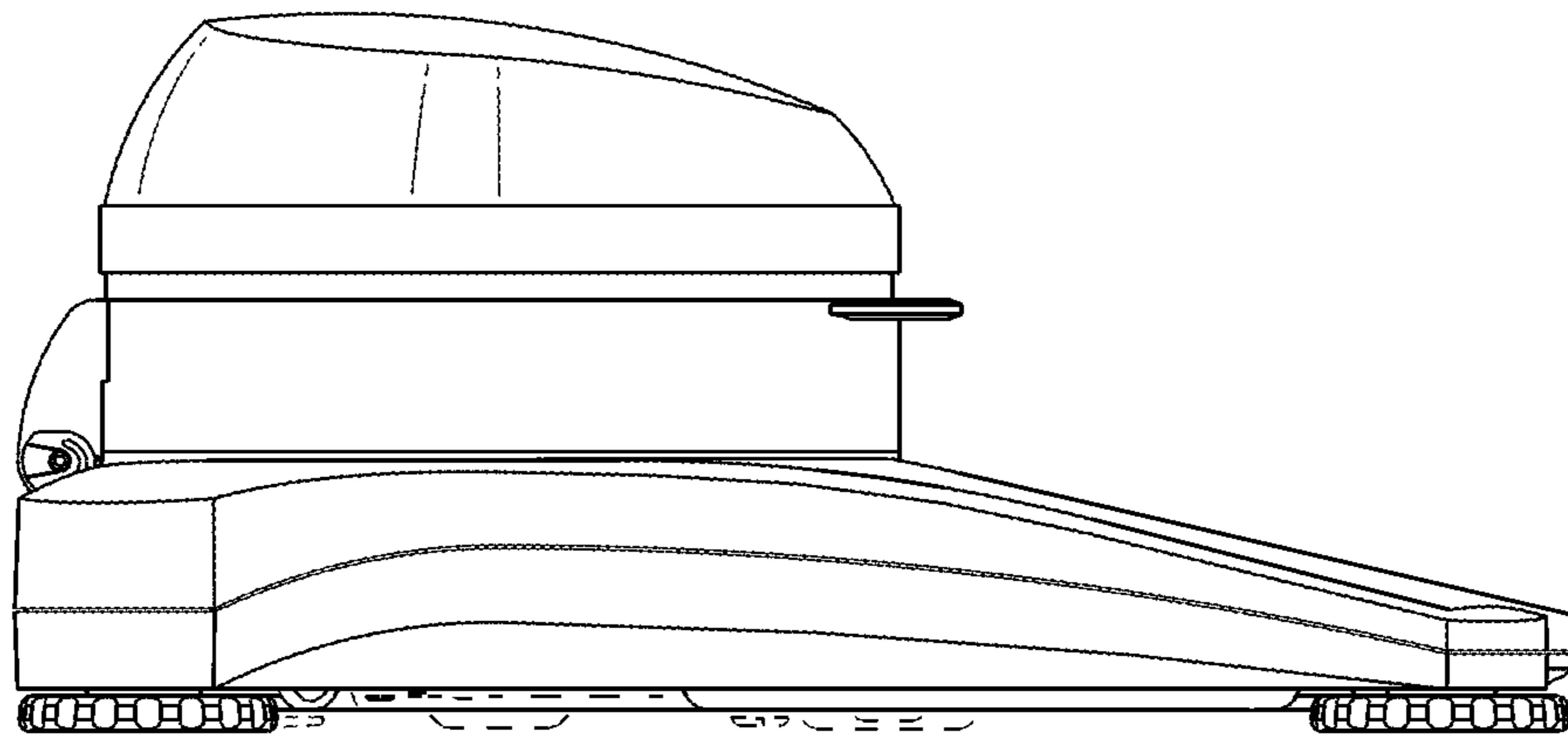


FIG. 5

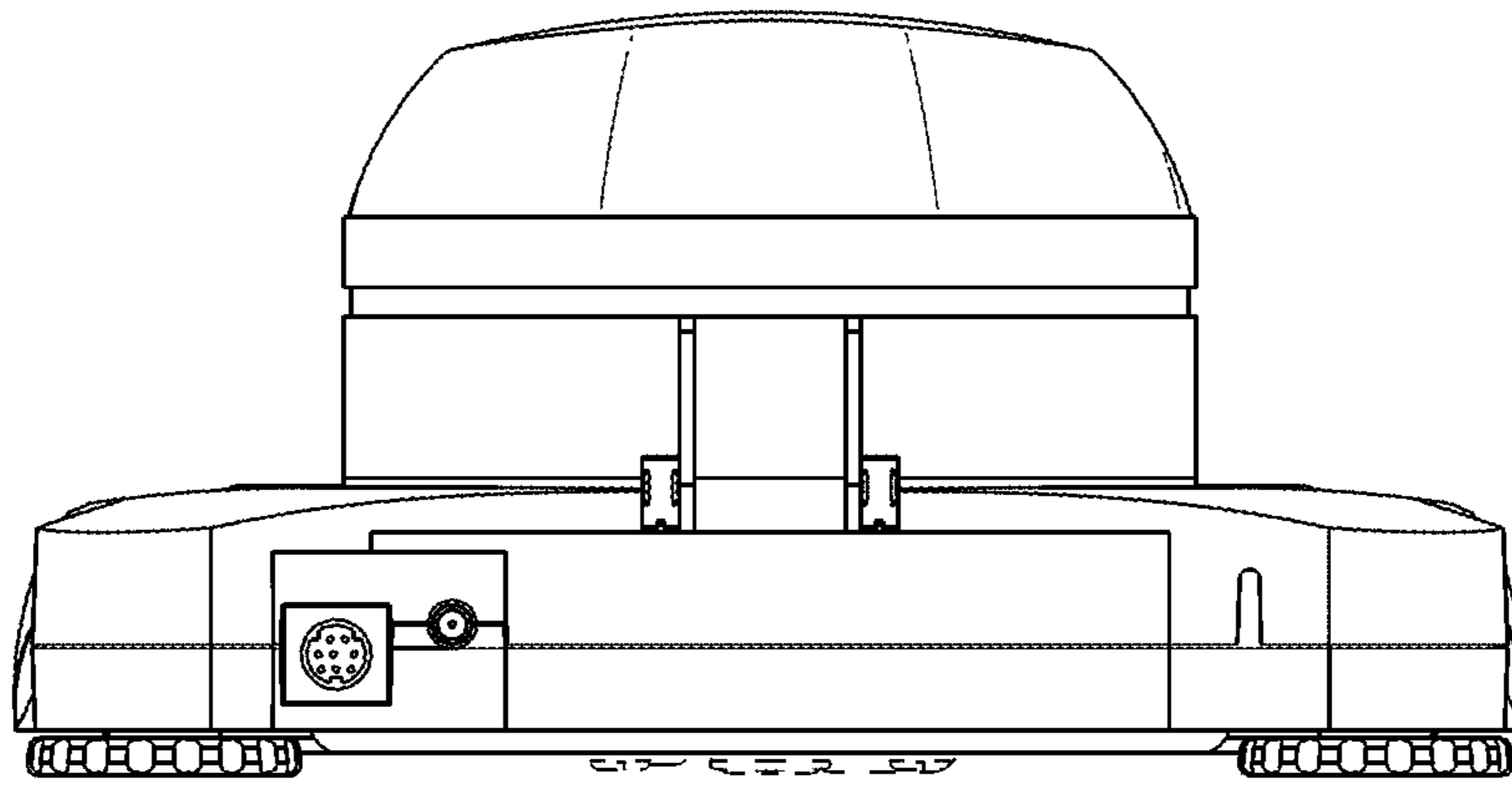


FIG. 6

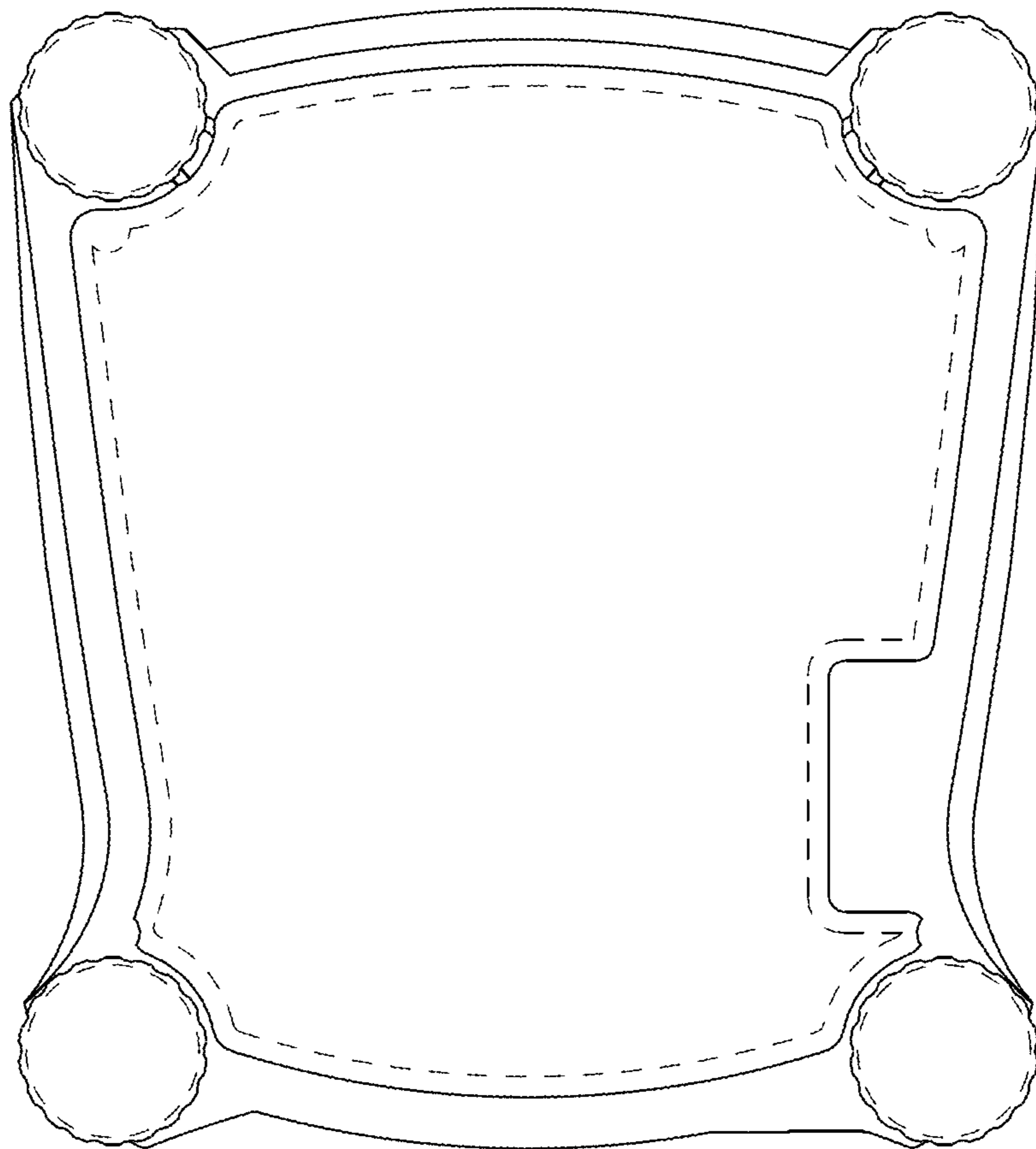


FIG. 7

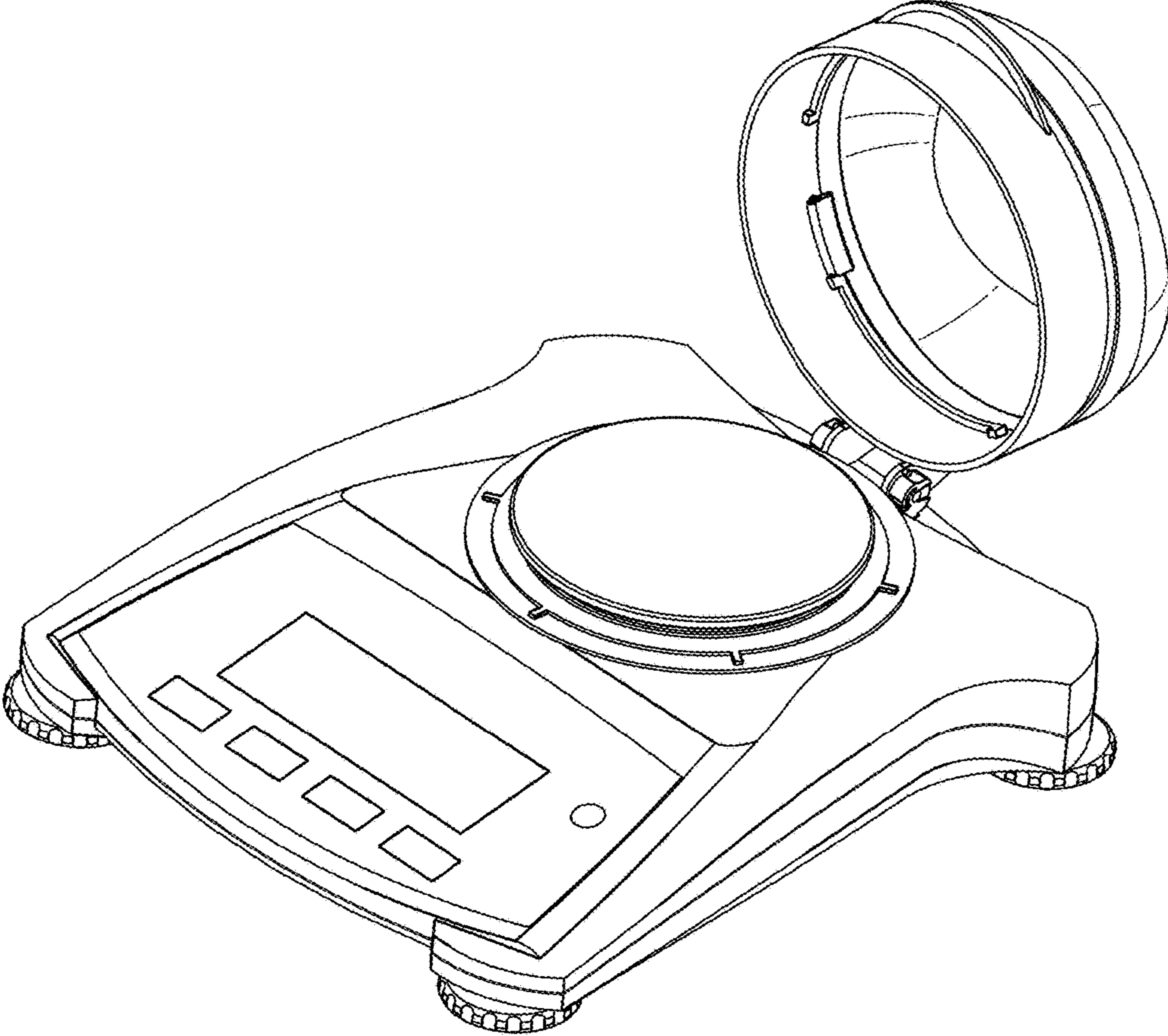


FIG. 8

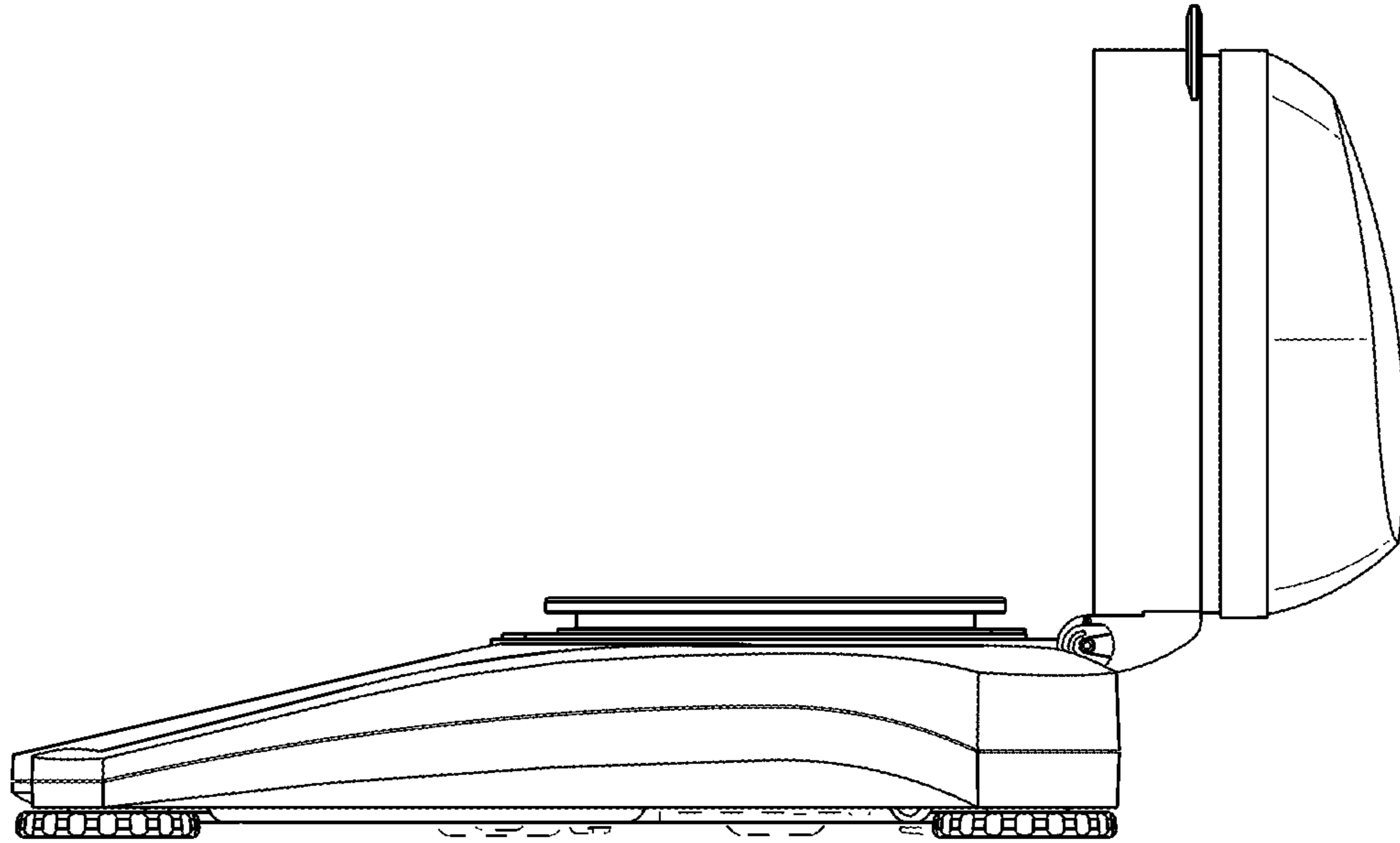


FIG. 9

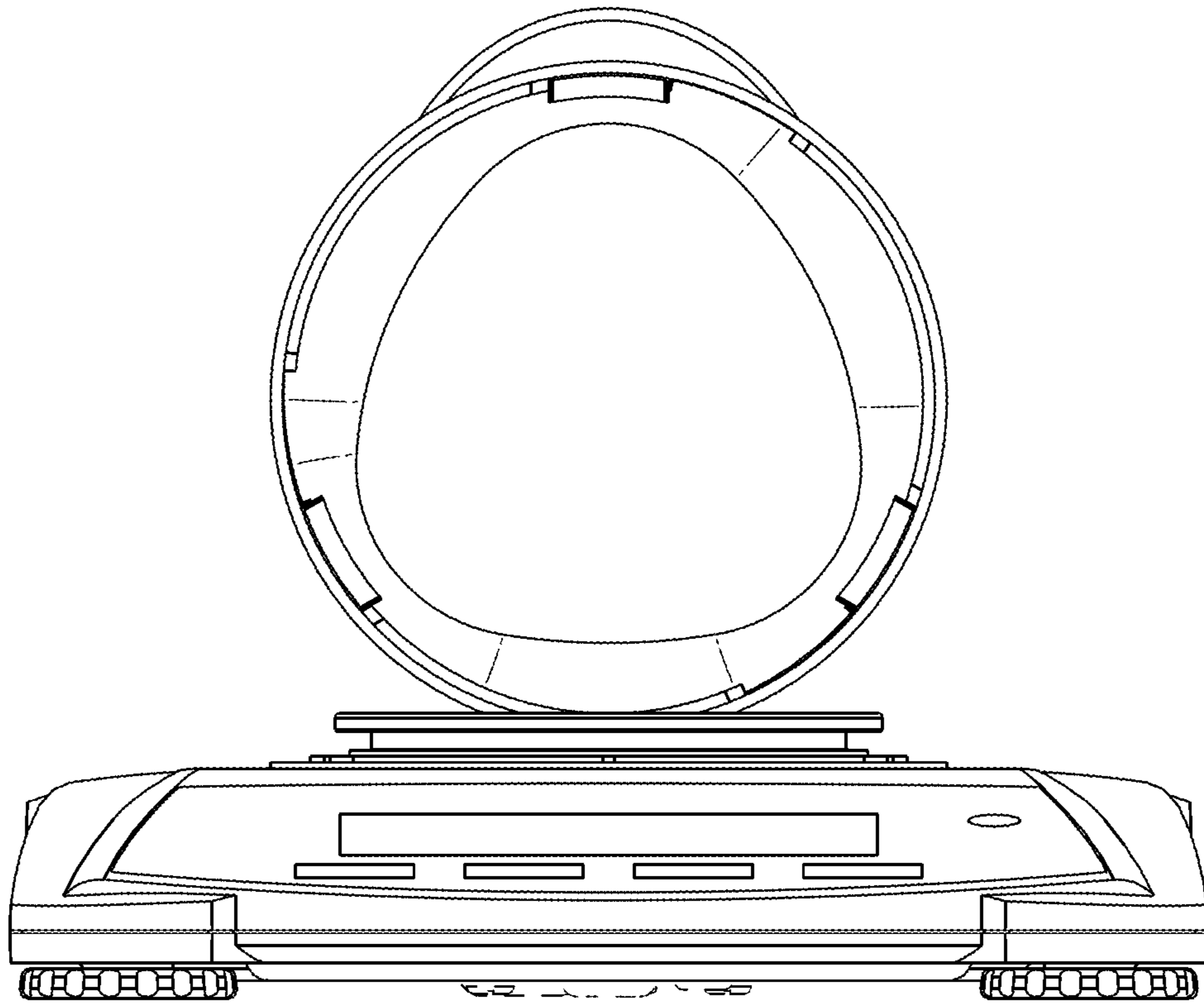


FIG. 10

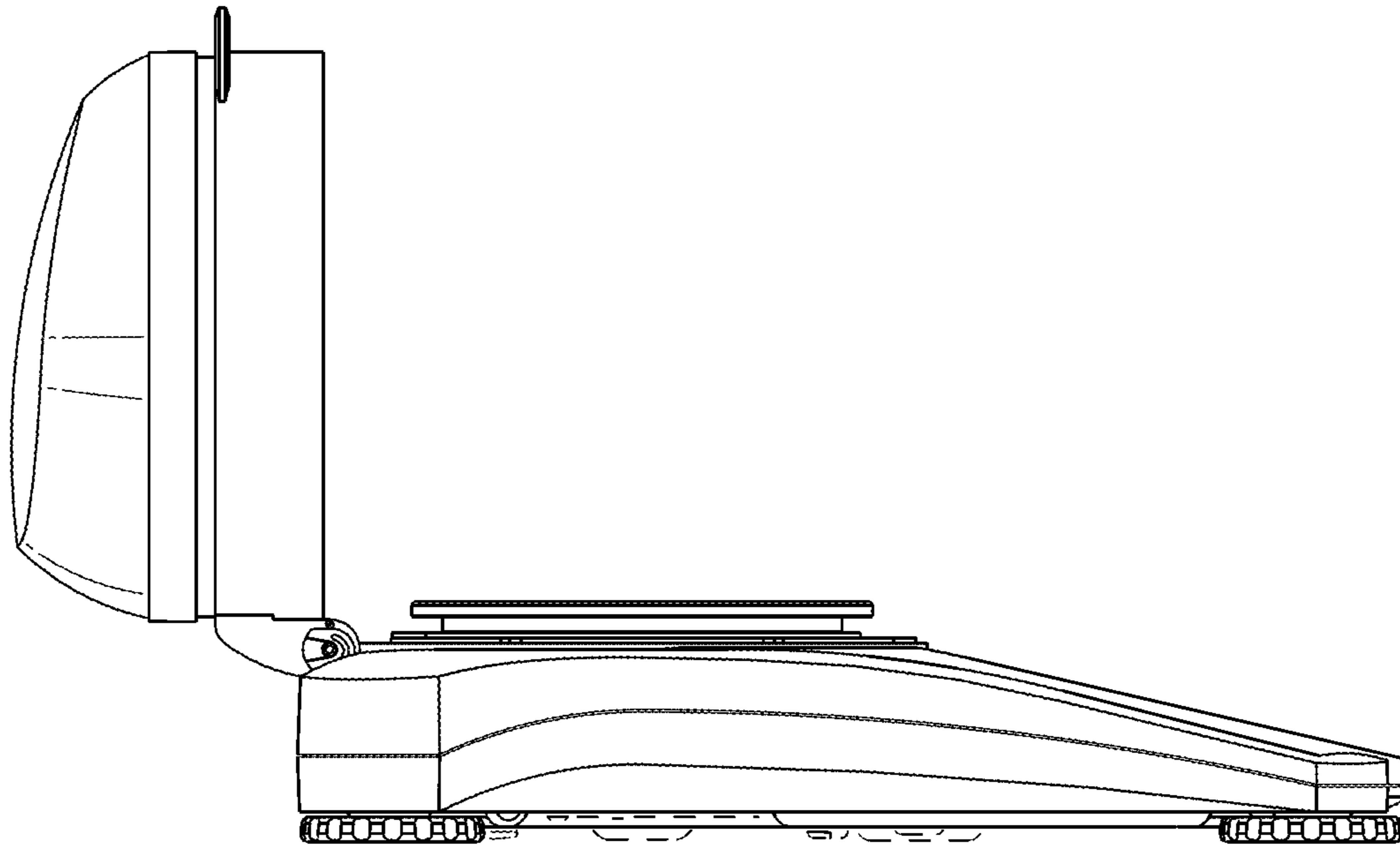


FIG. 11

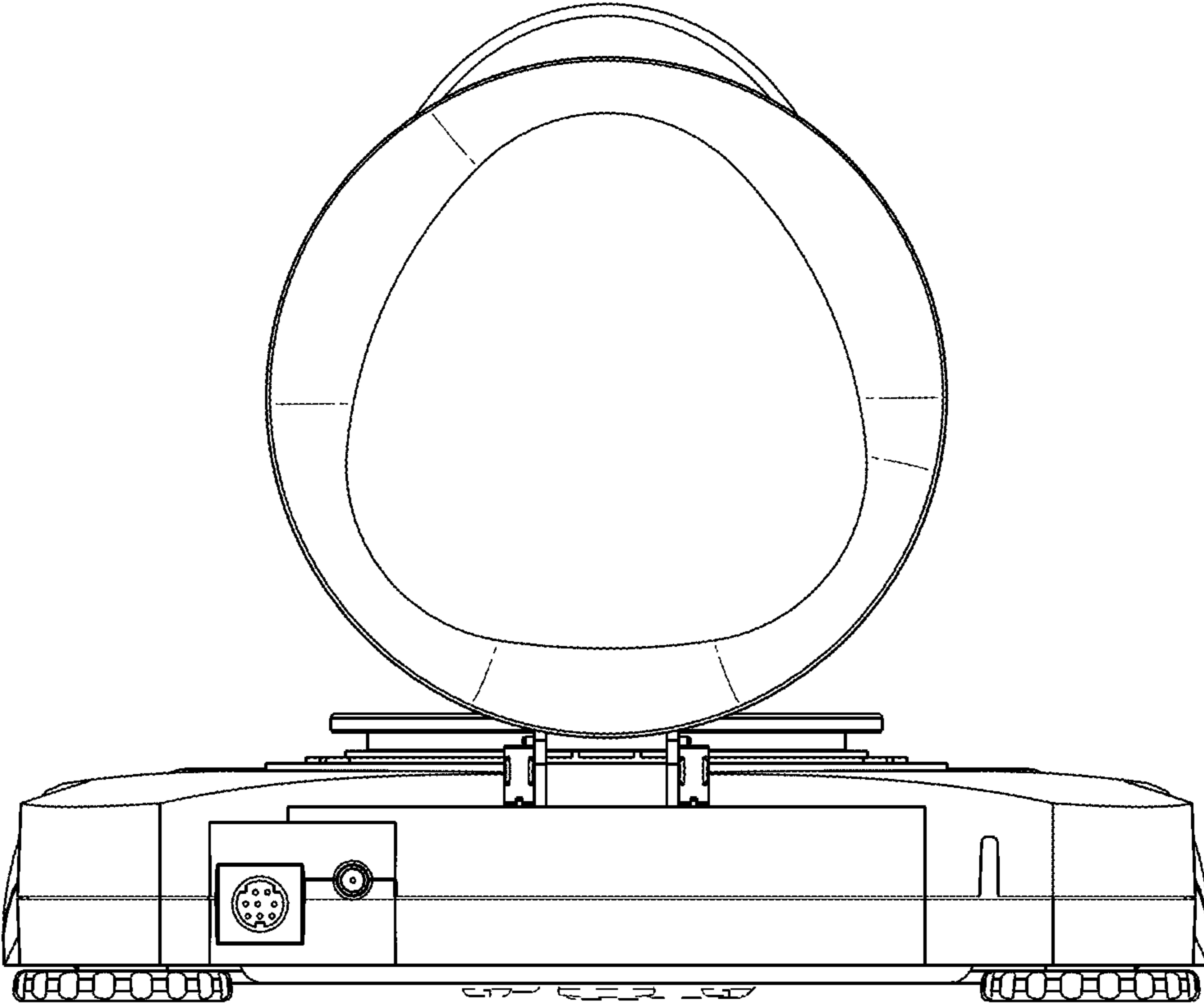


FIG. 12

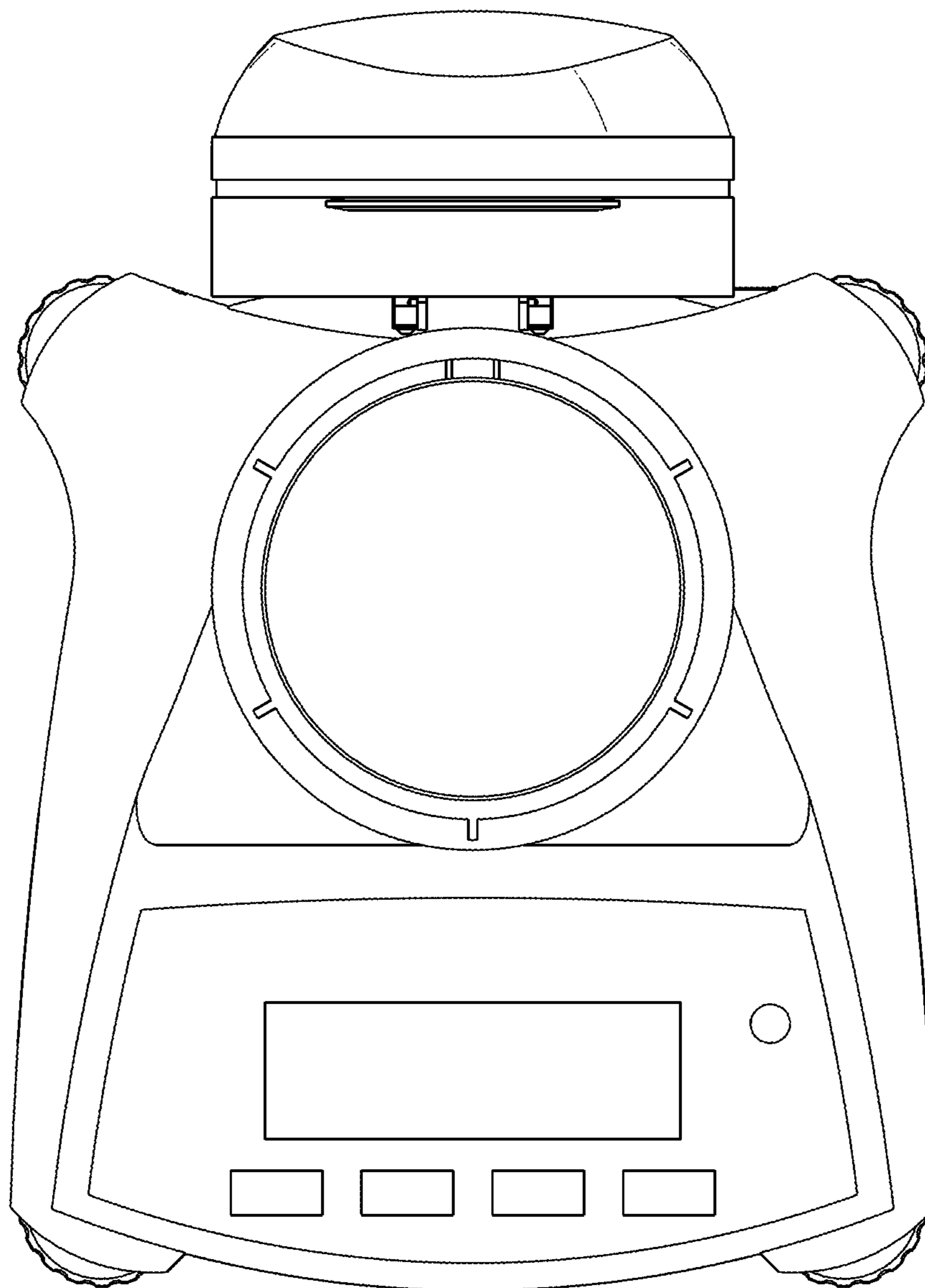


FIG. 13

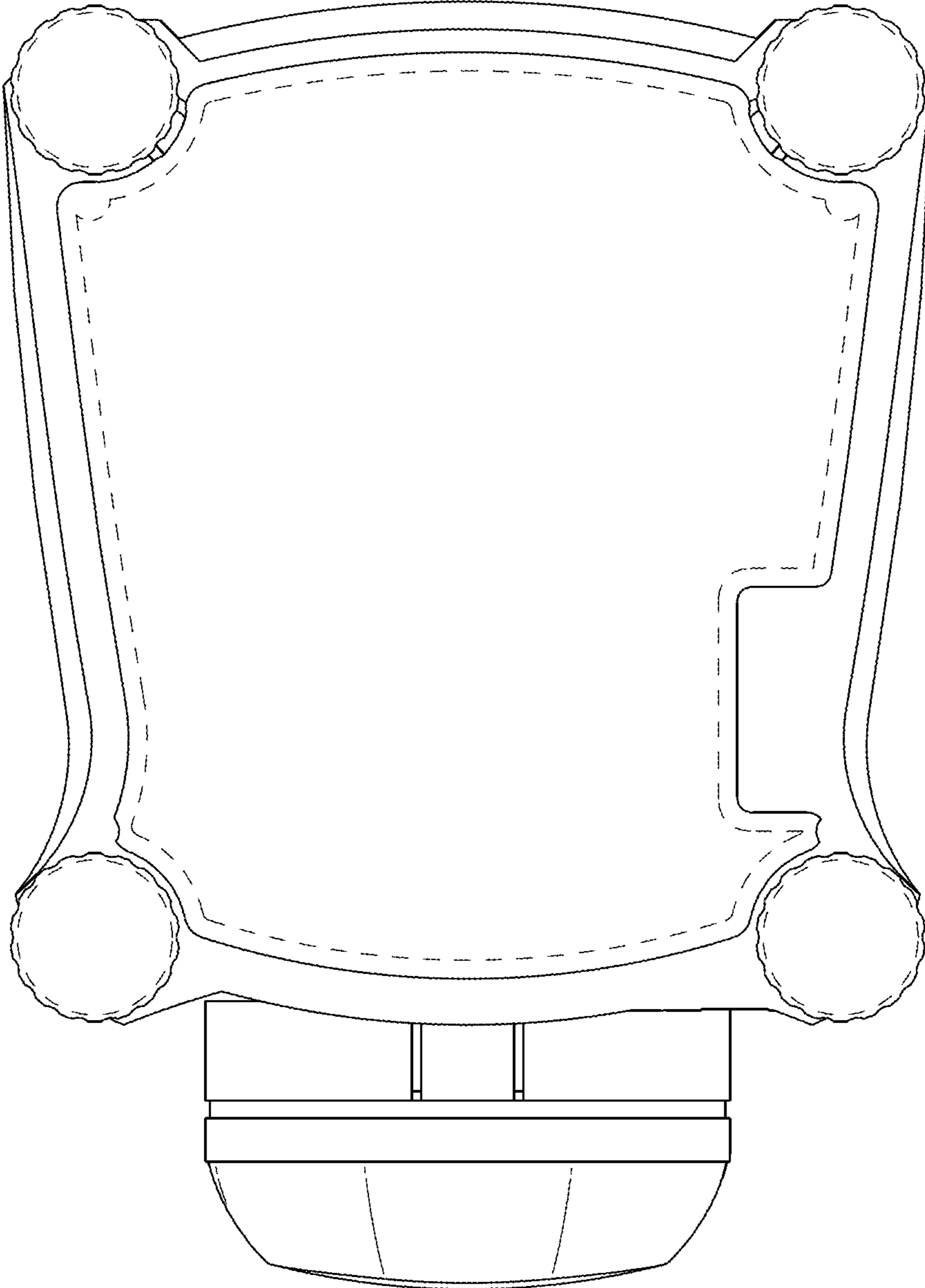


FIG. 14

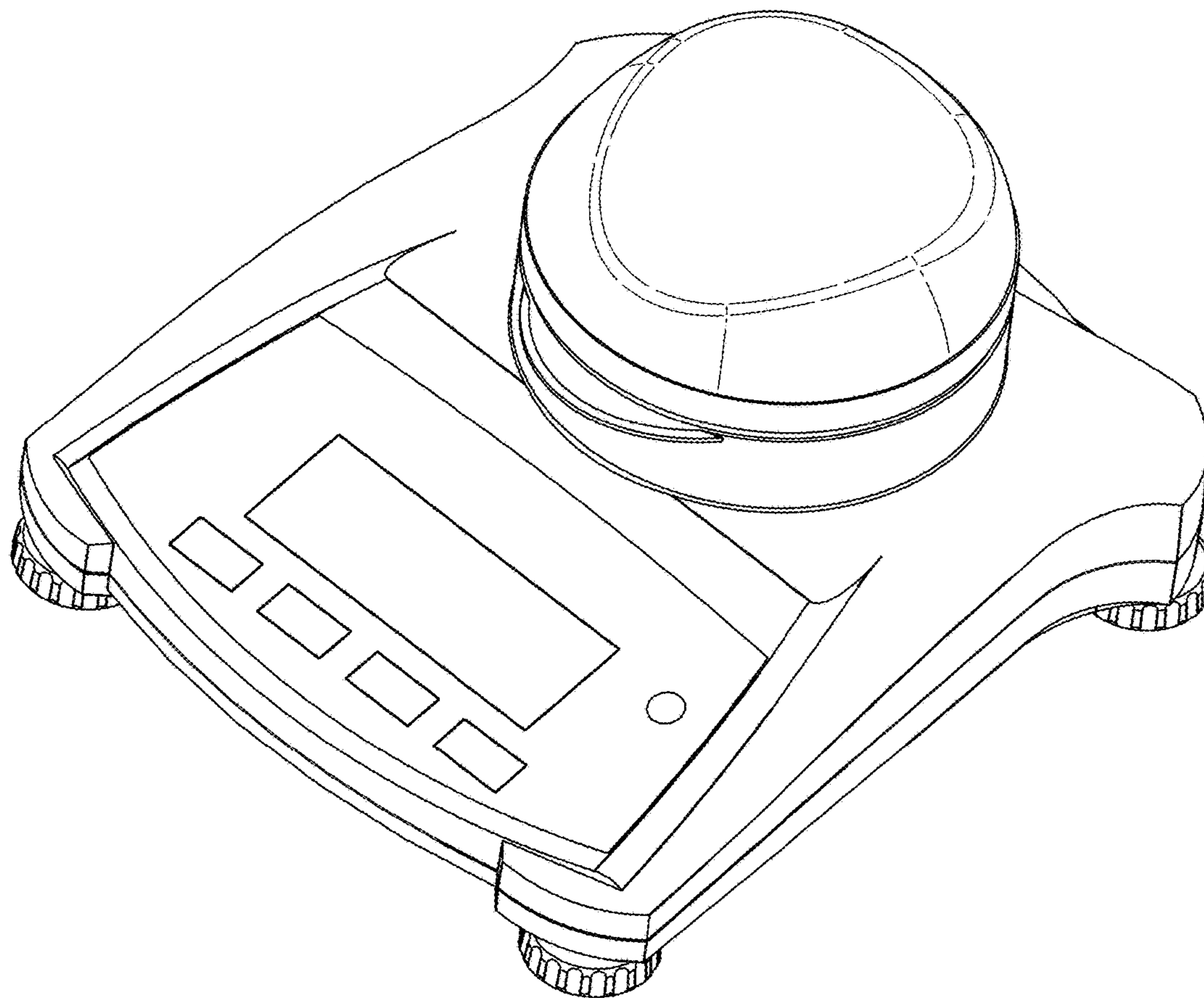


FIG. 15

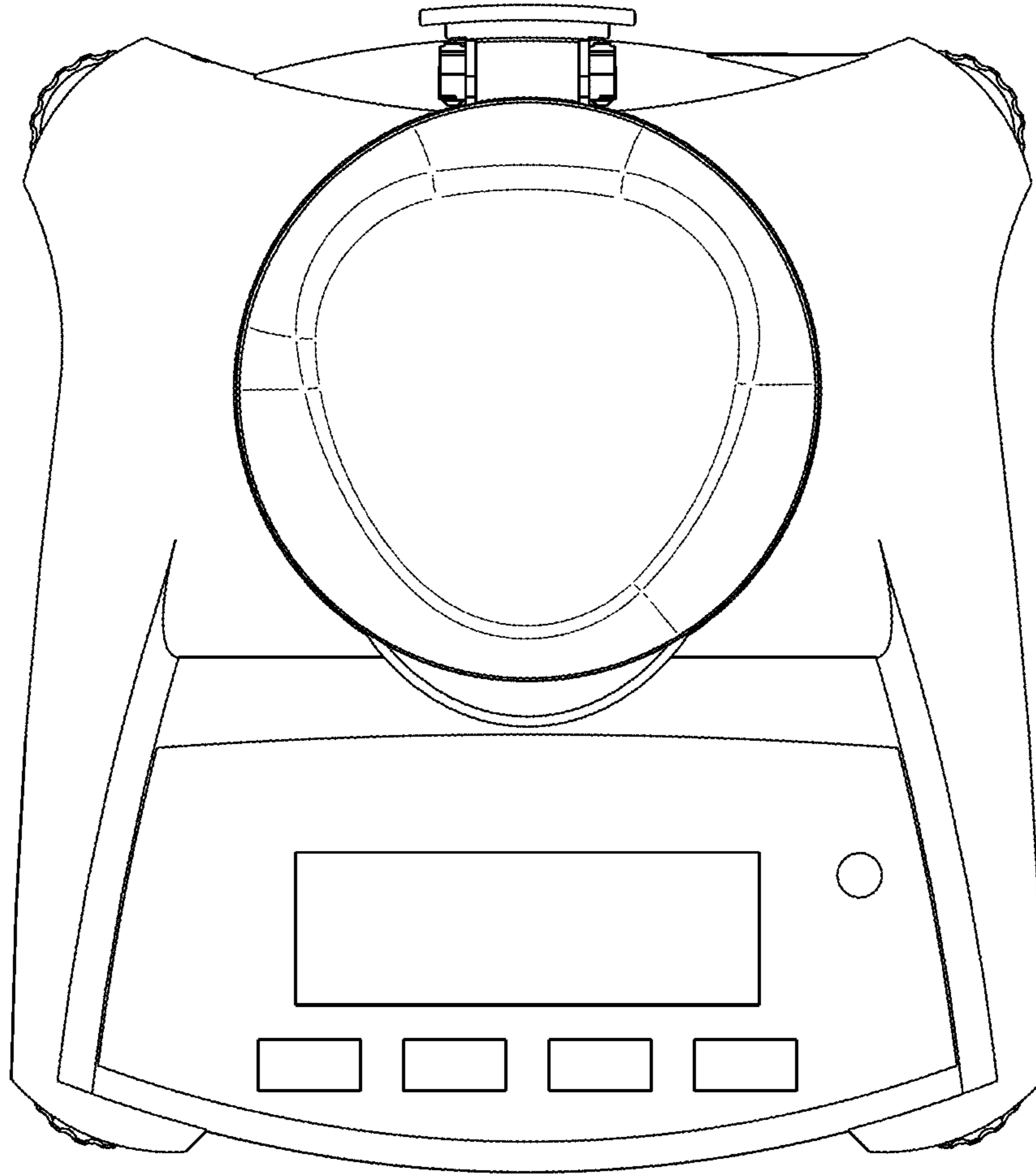


FIG. 16

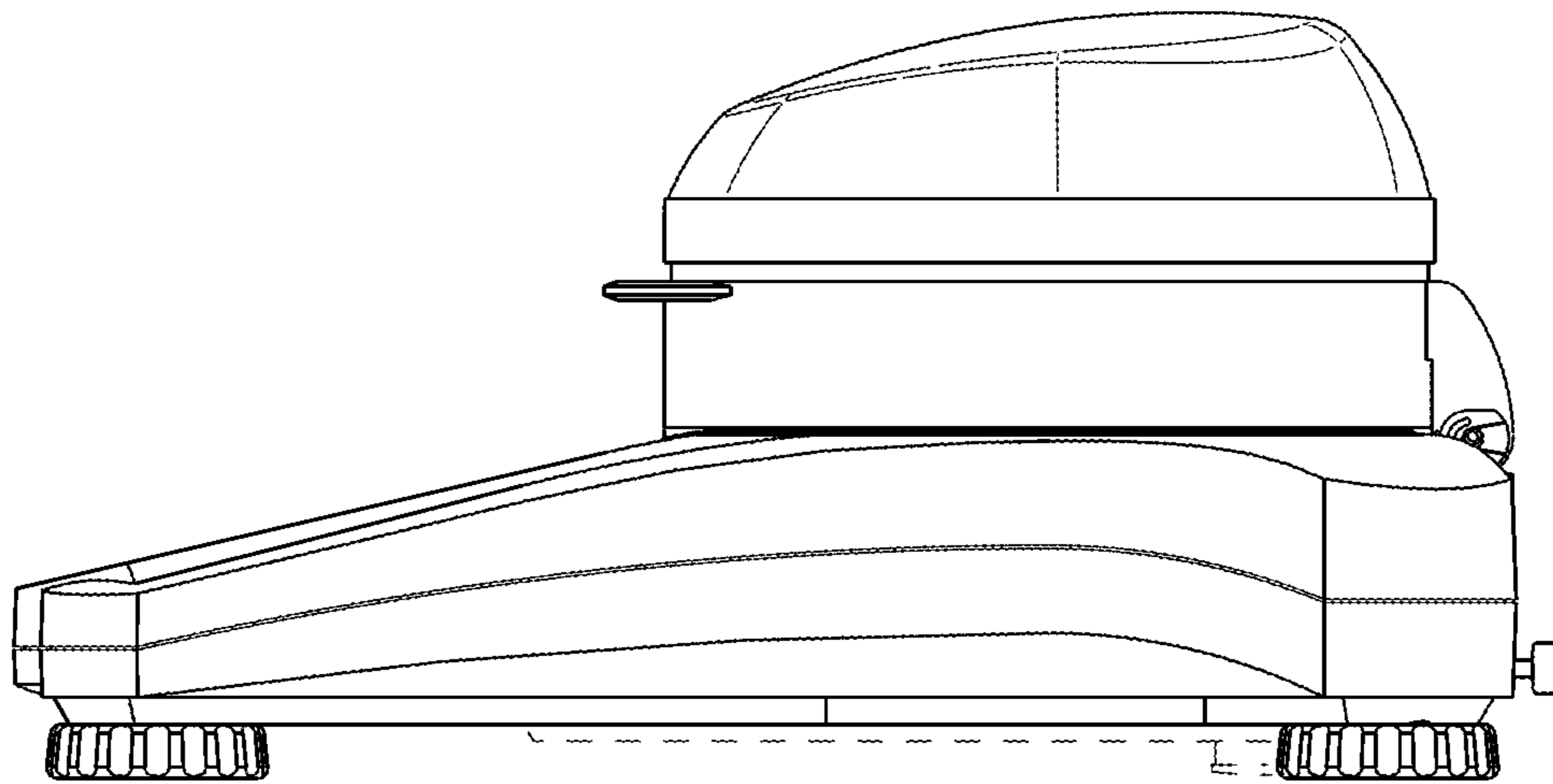


FIG. 17

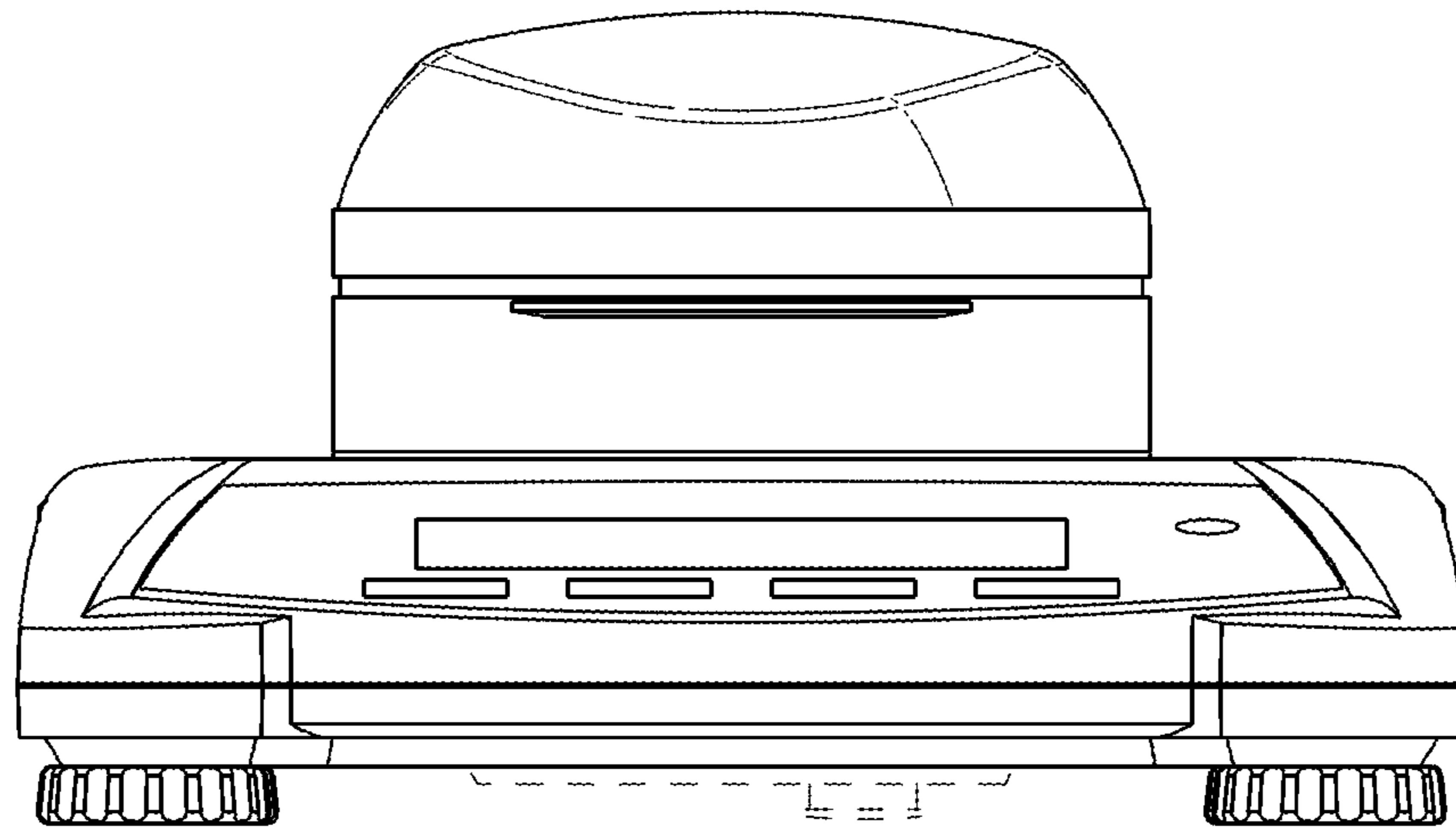


FIG. 18

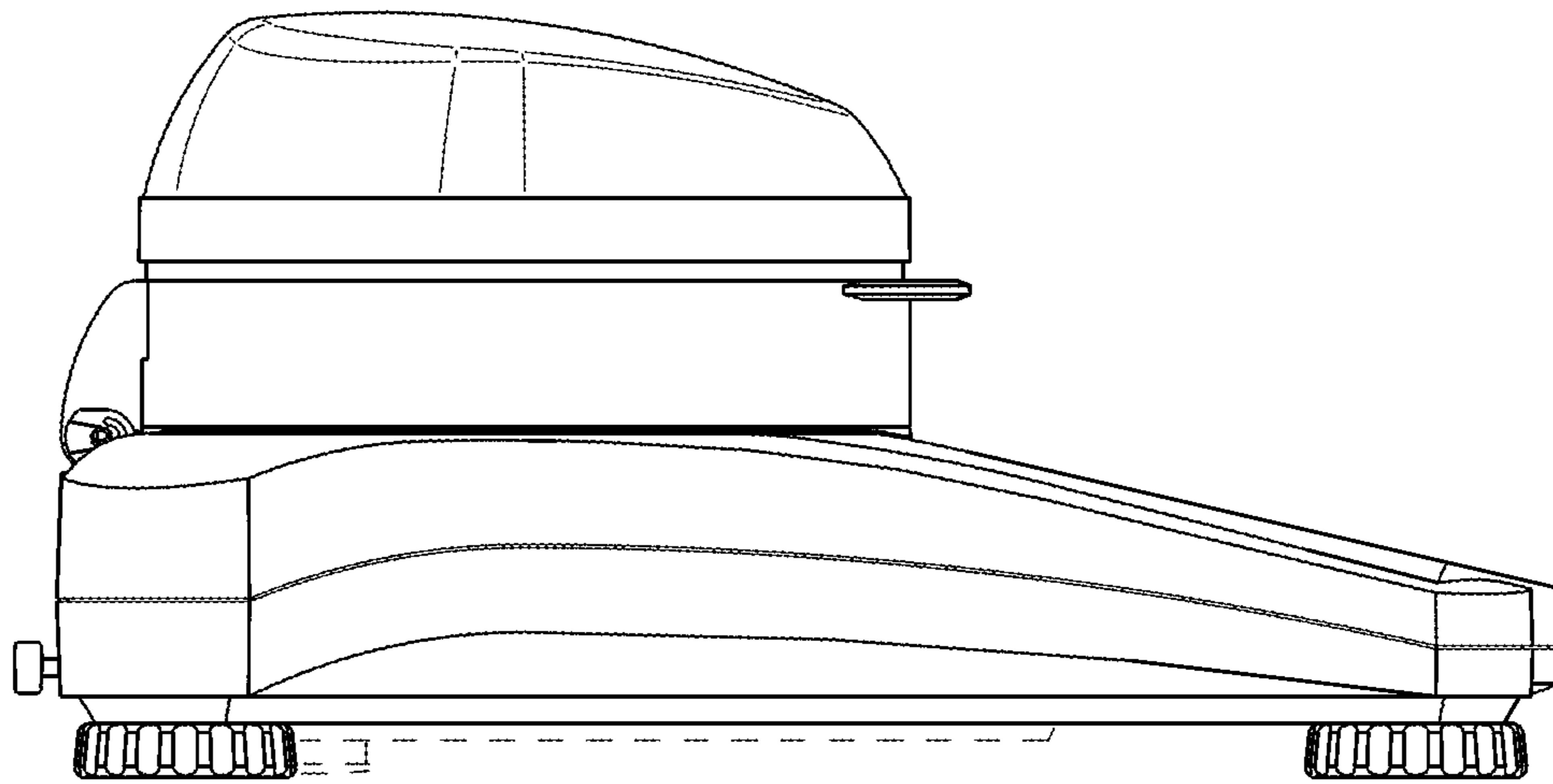


FIG. 19

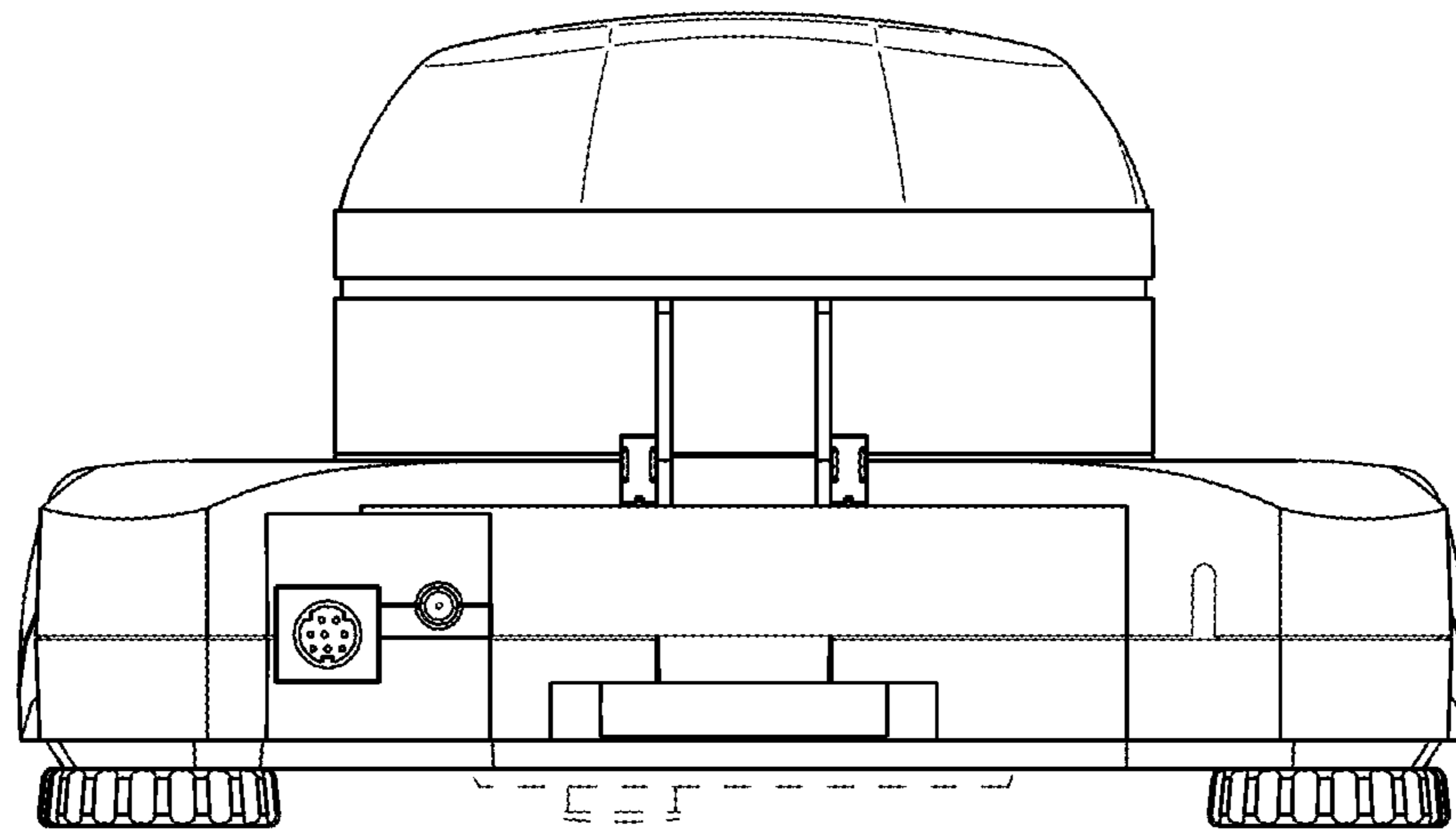


FIG. 20

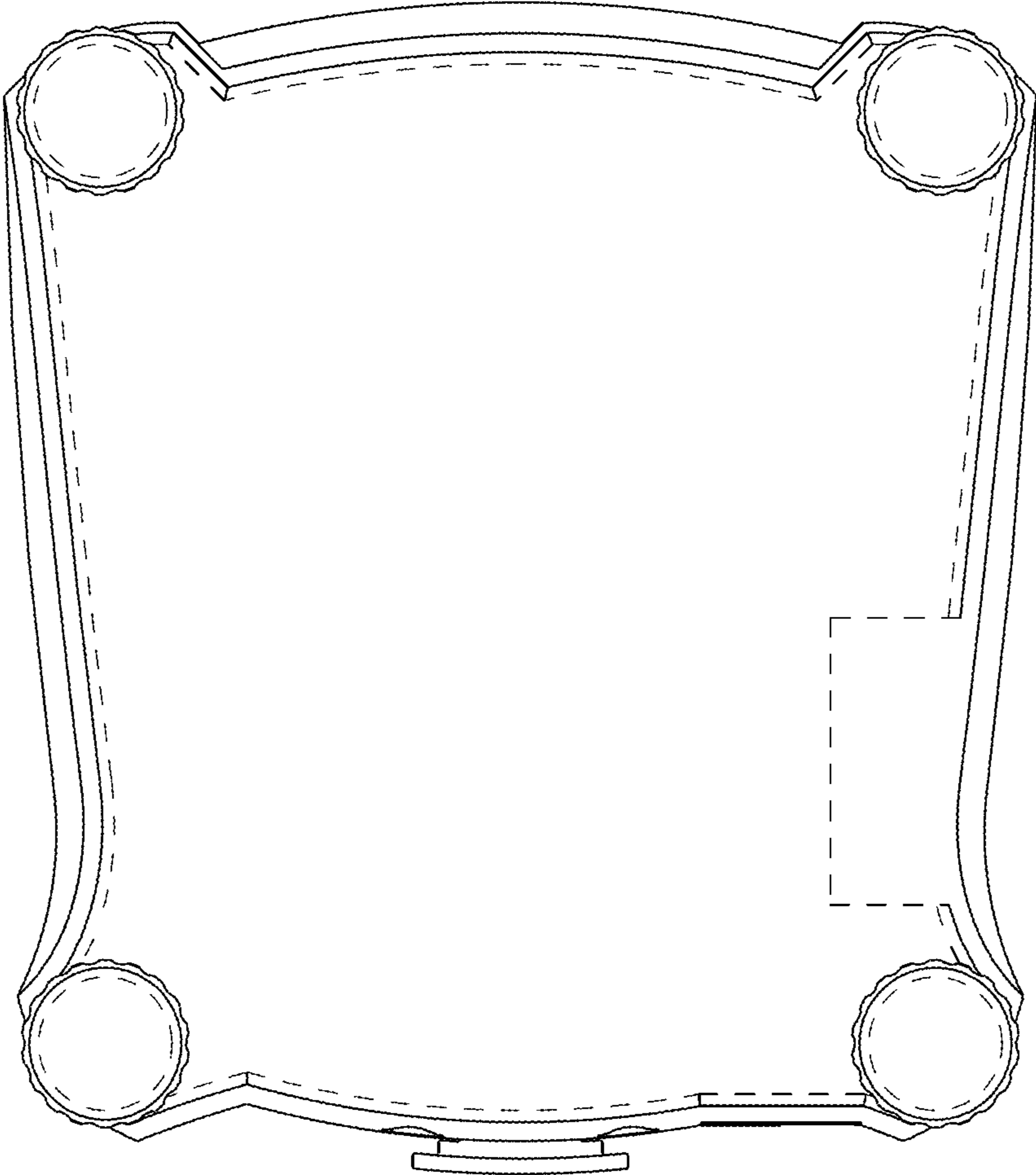


FIG. 21

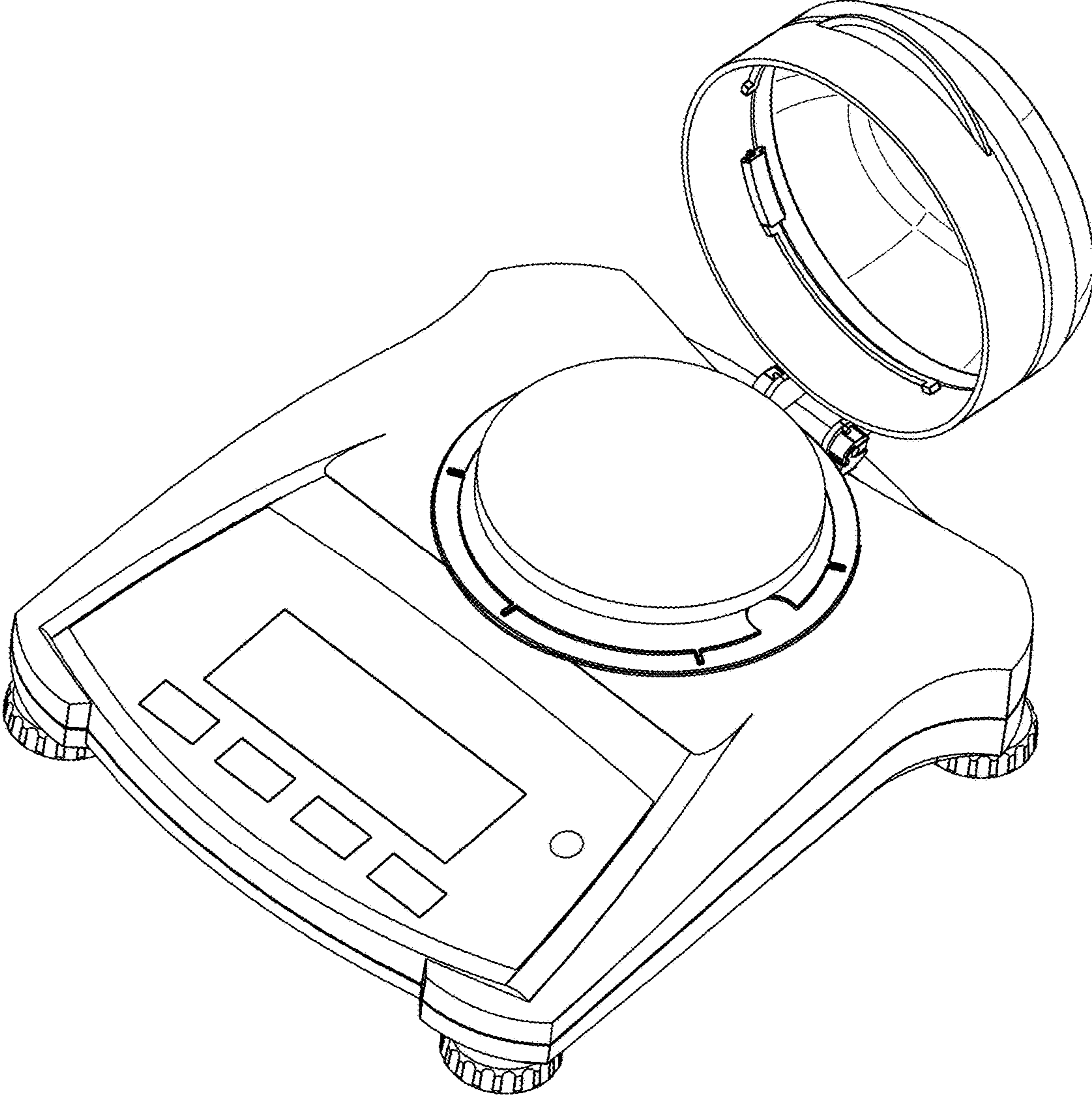


FIG. 22

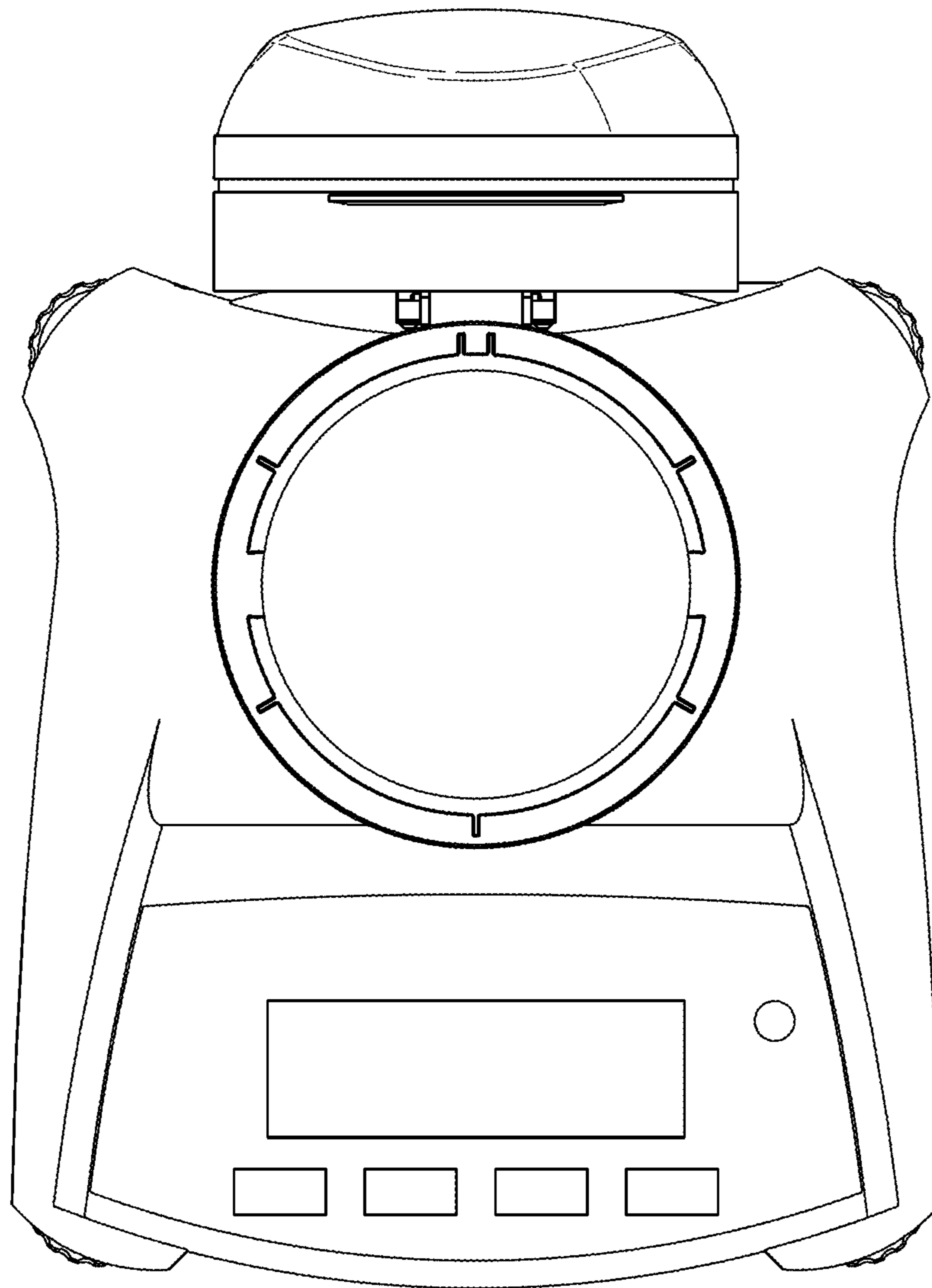


FIG. 23

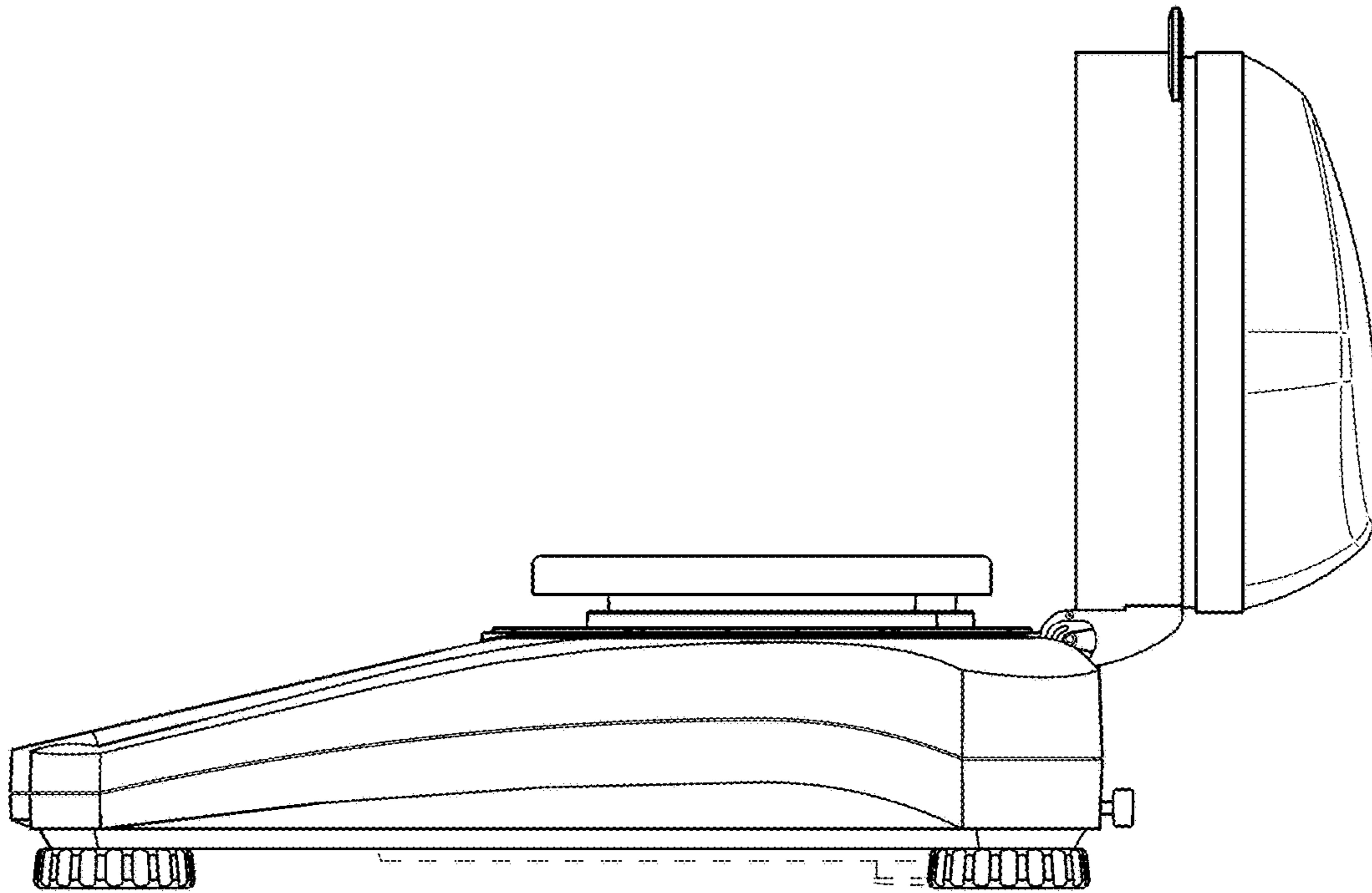


FIG. 24

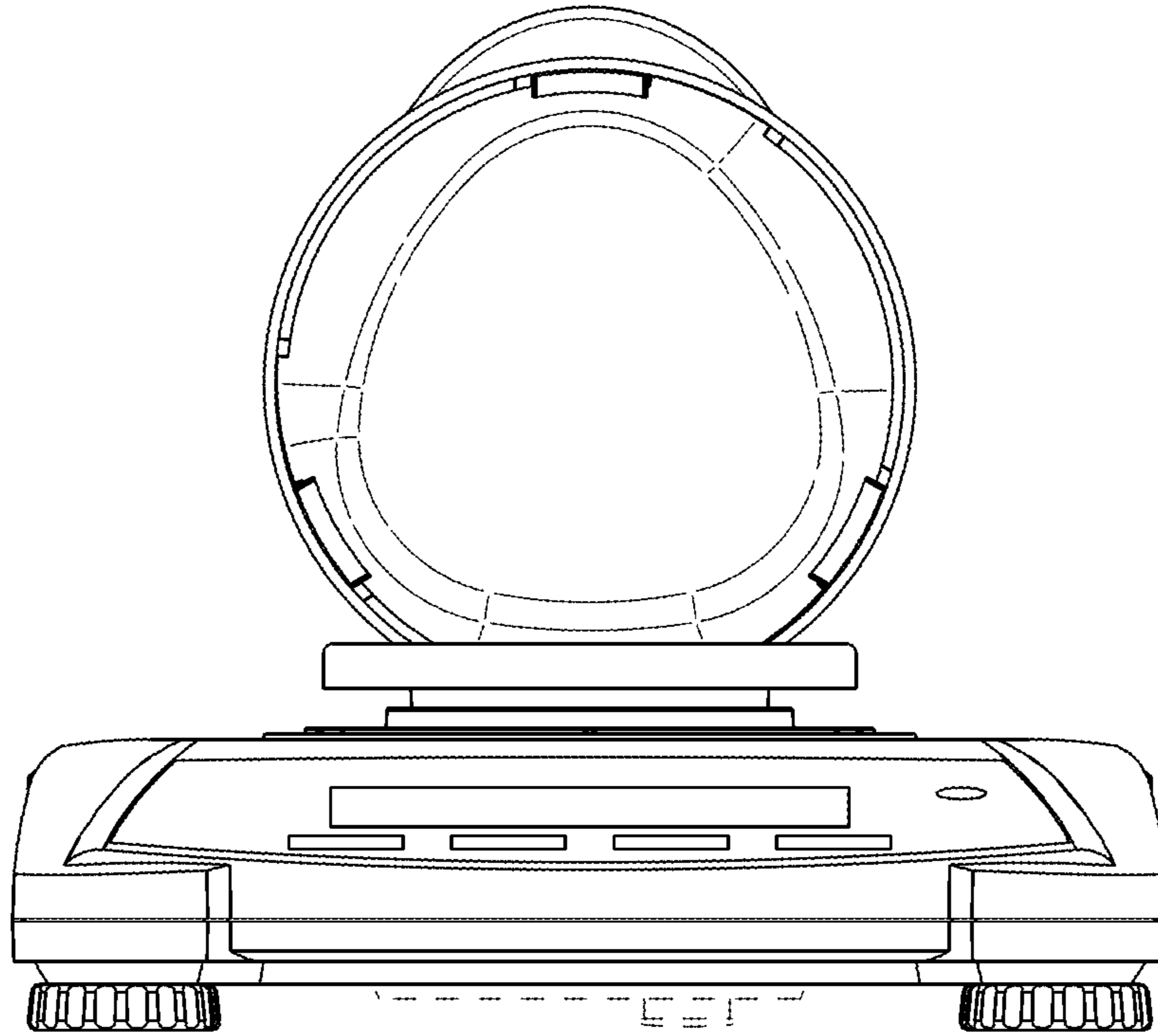


FIG. 25

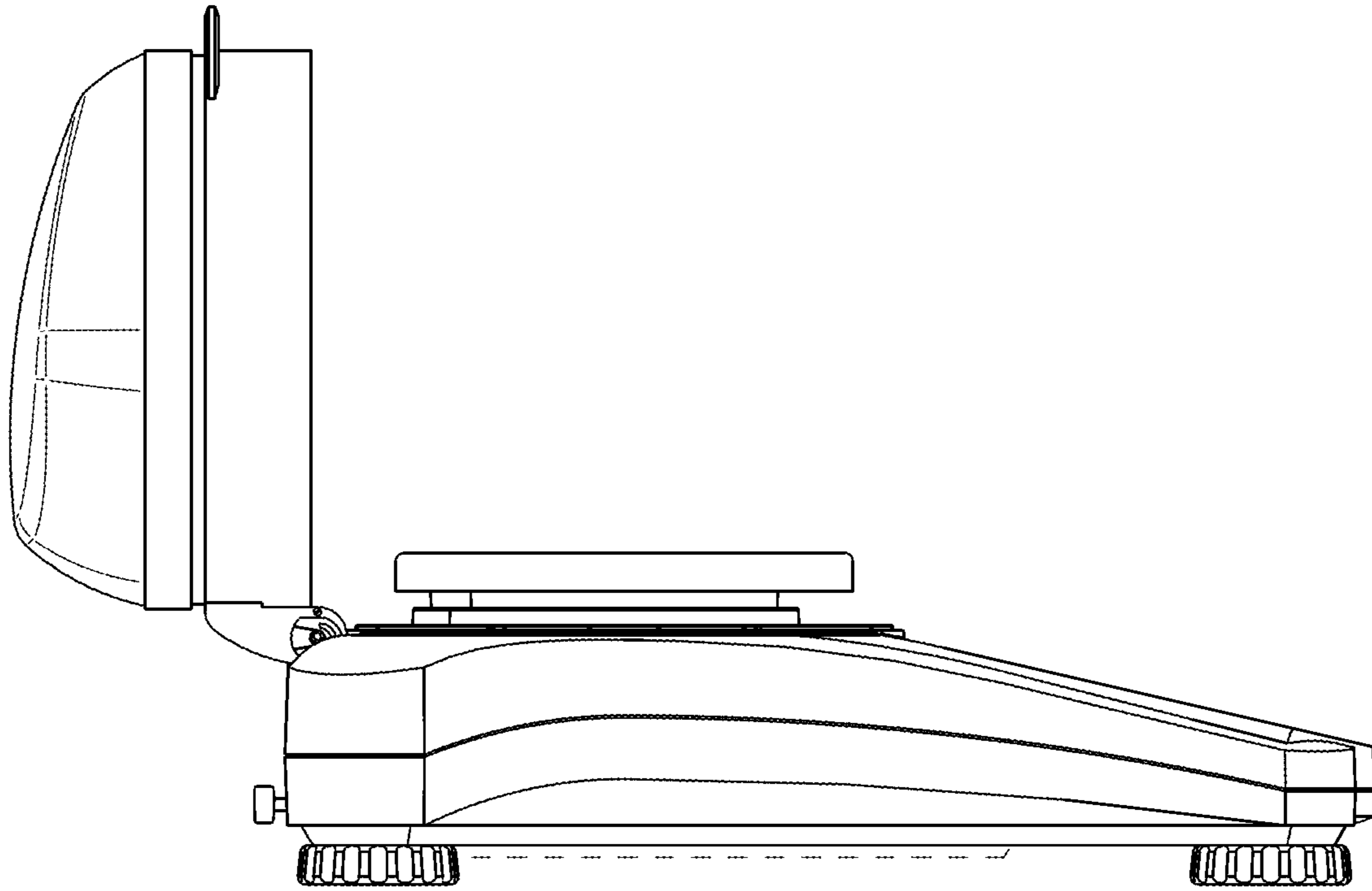


FIG. 26

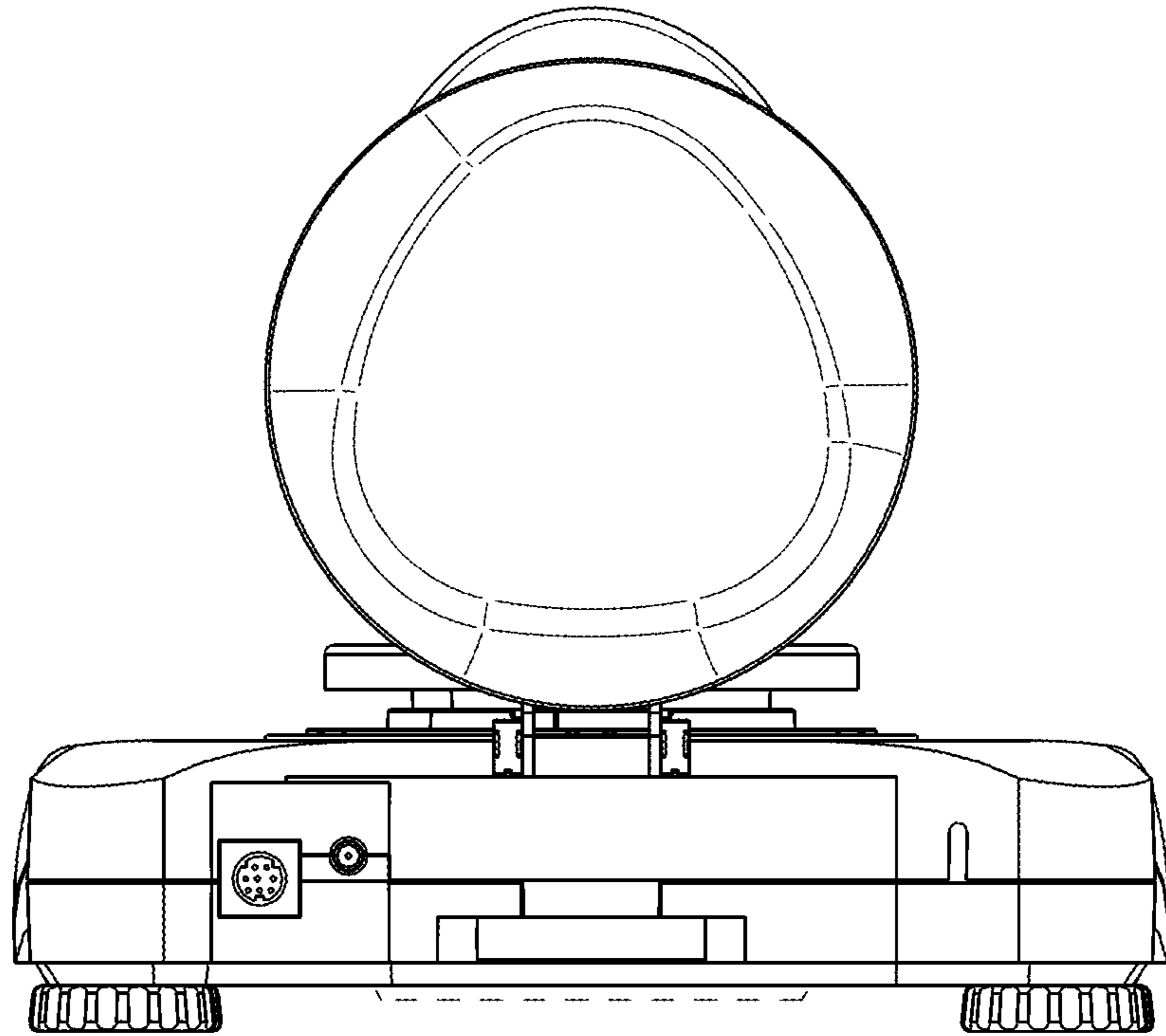


FIG. 27

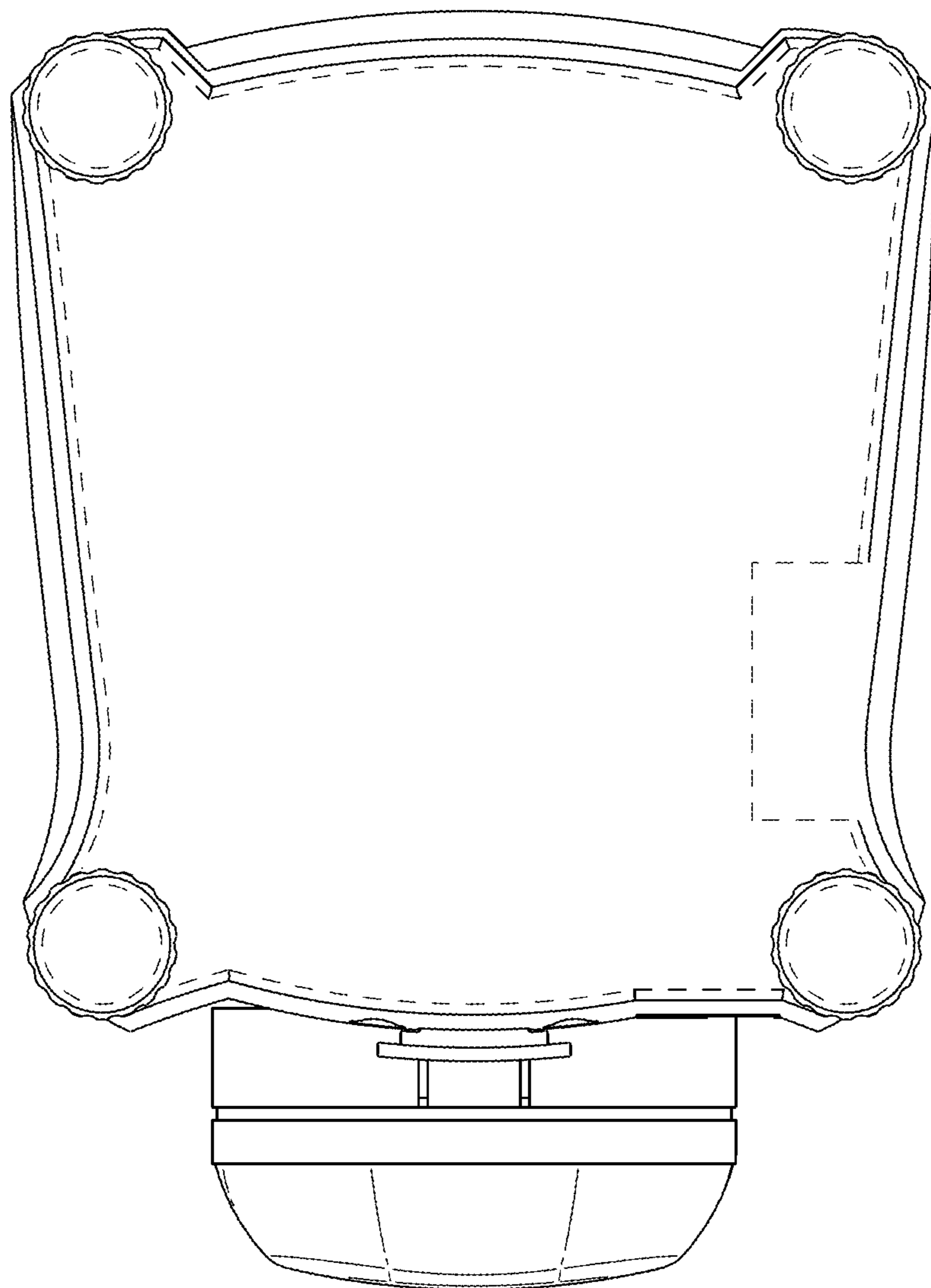


FIG. 28

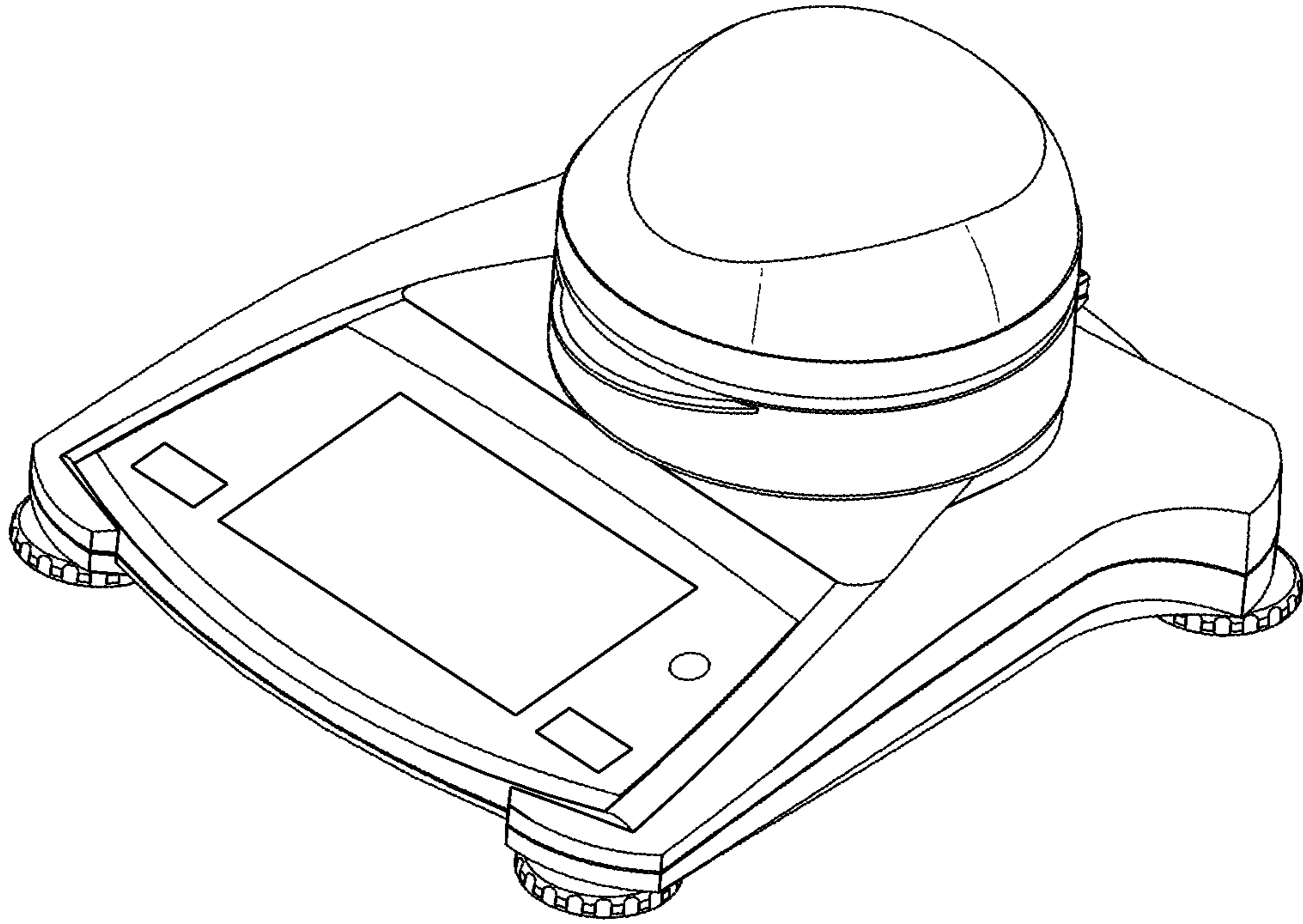


FIG. 29

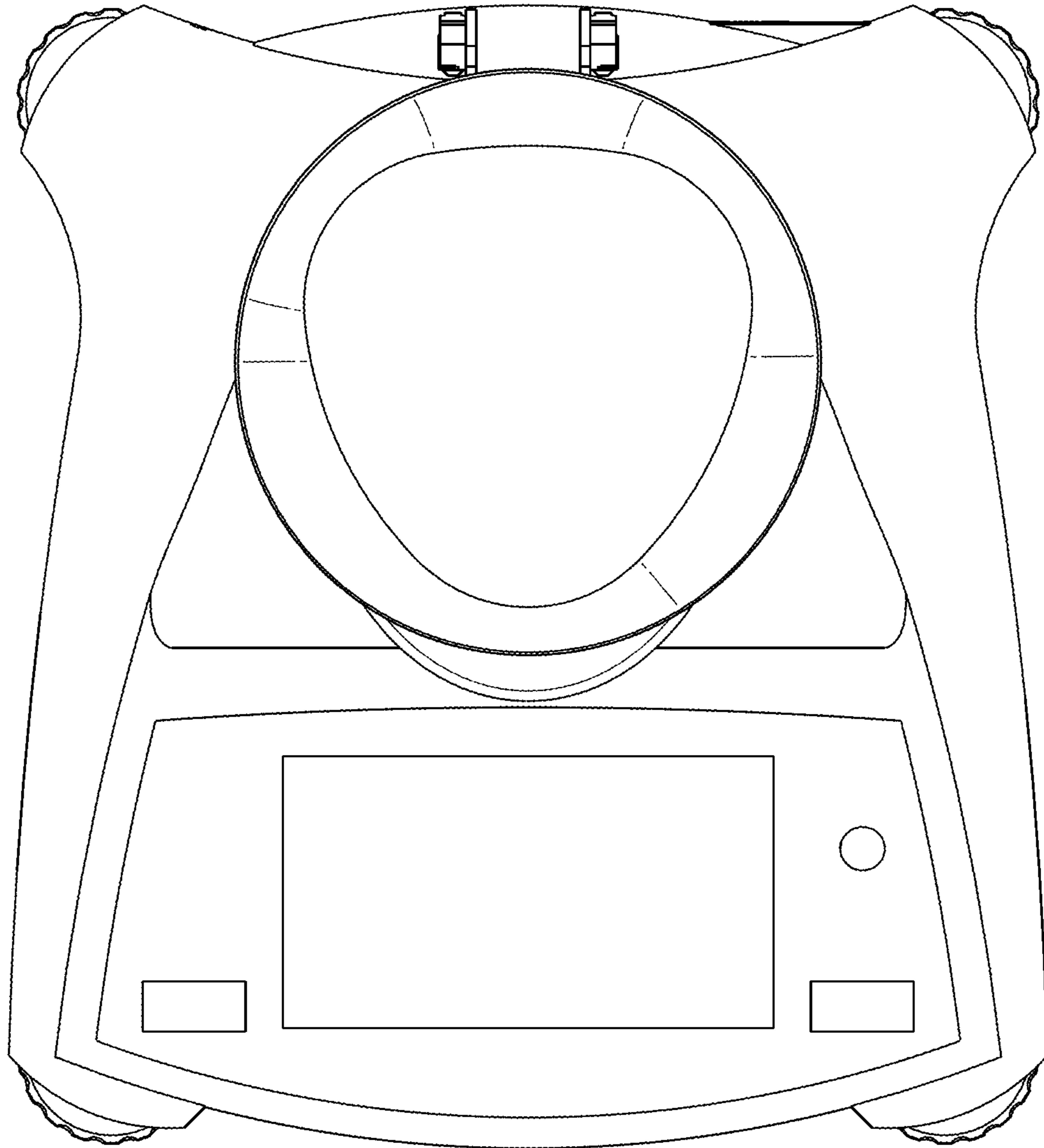


FIG. 30

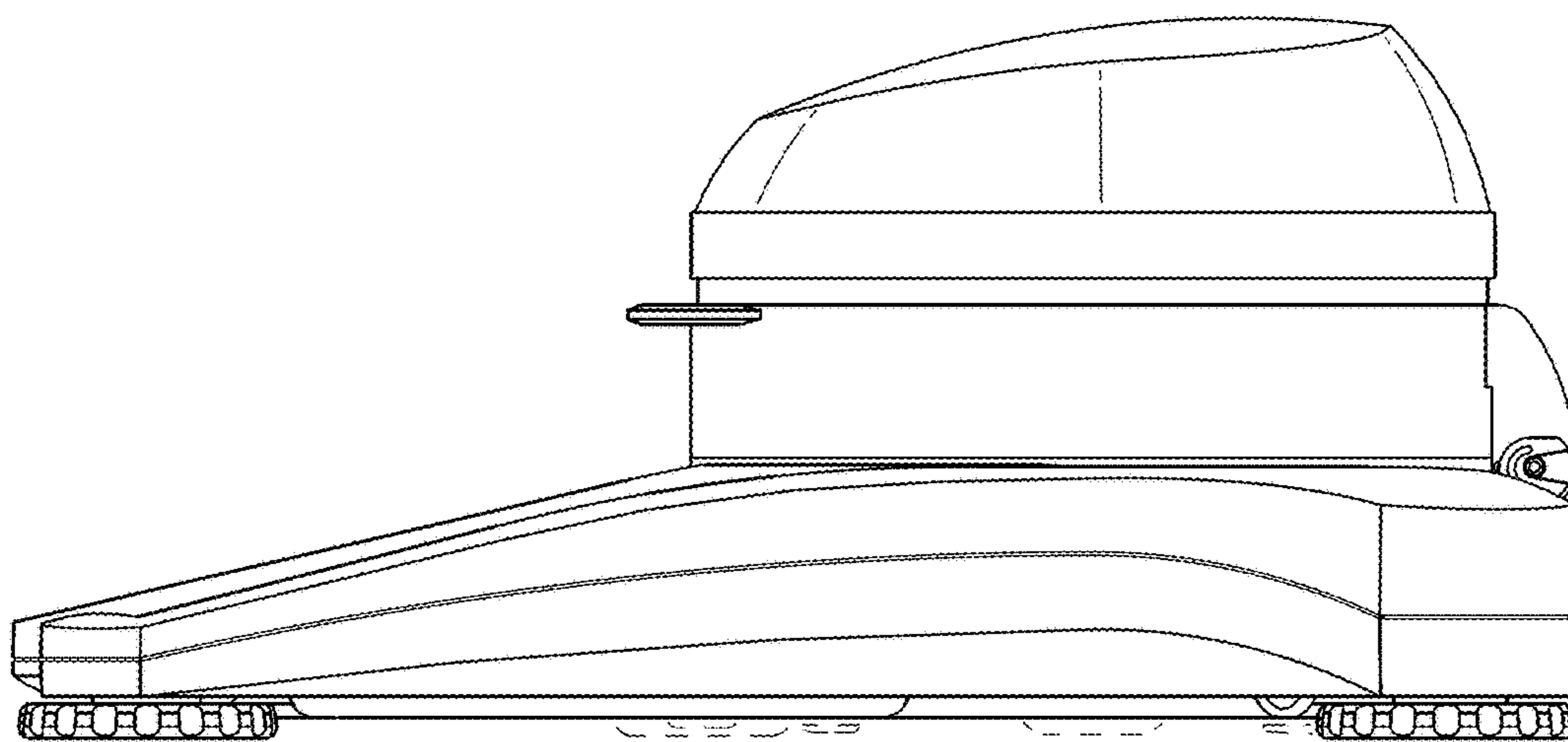


FIG. 31

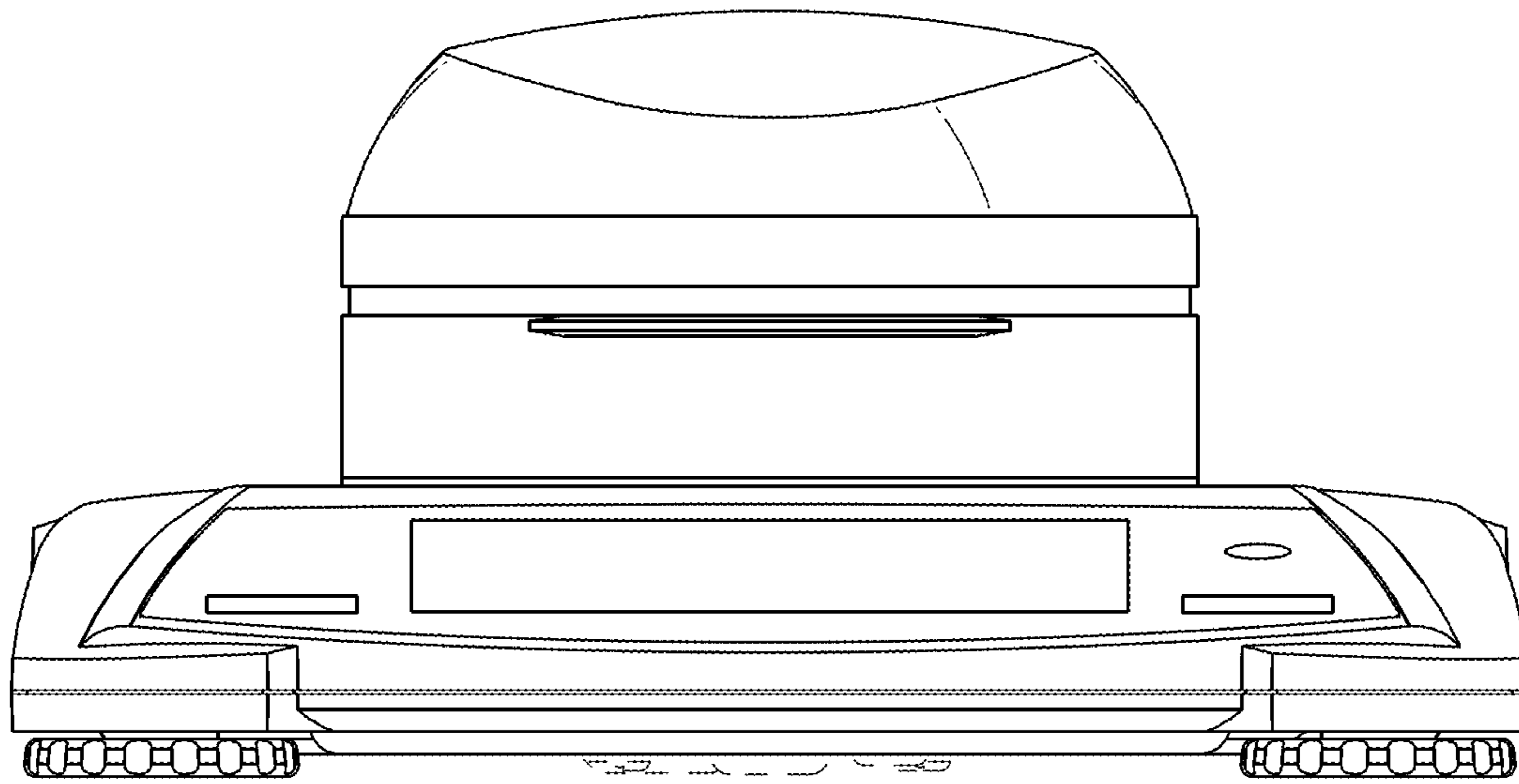


FIG. 32

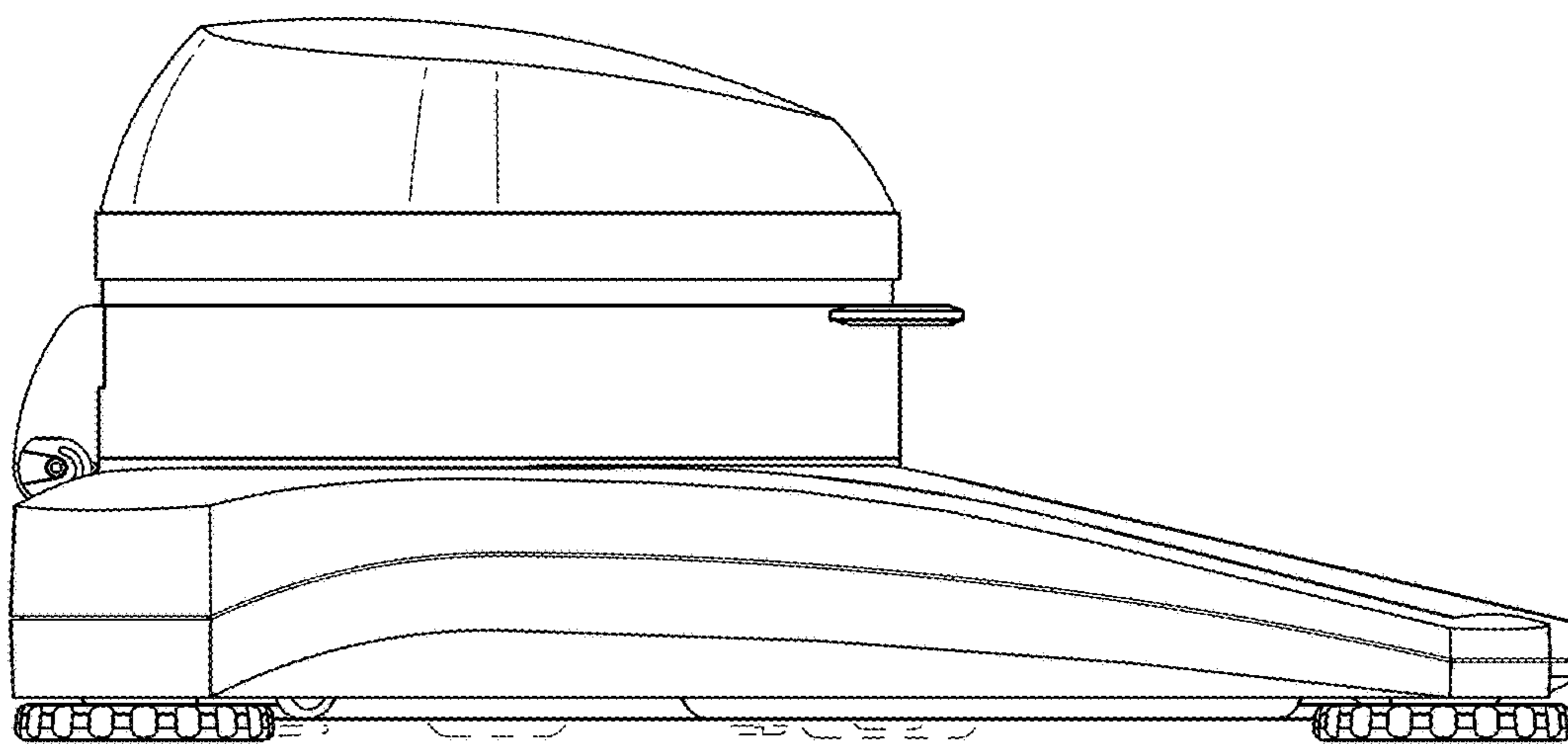


FIG. 33

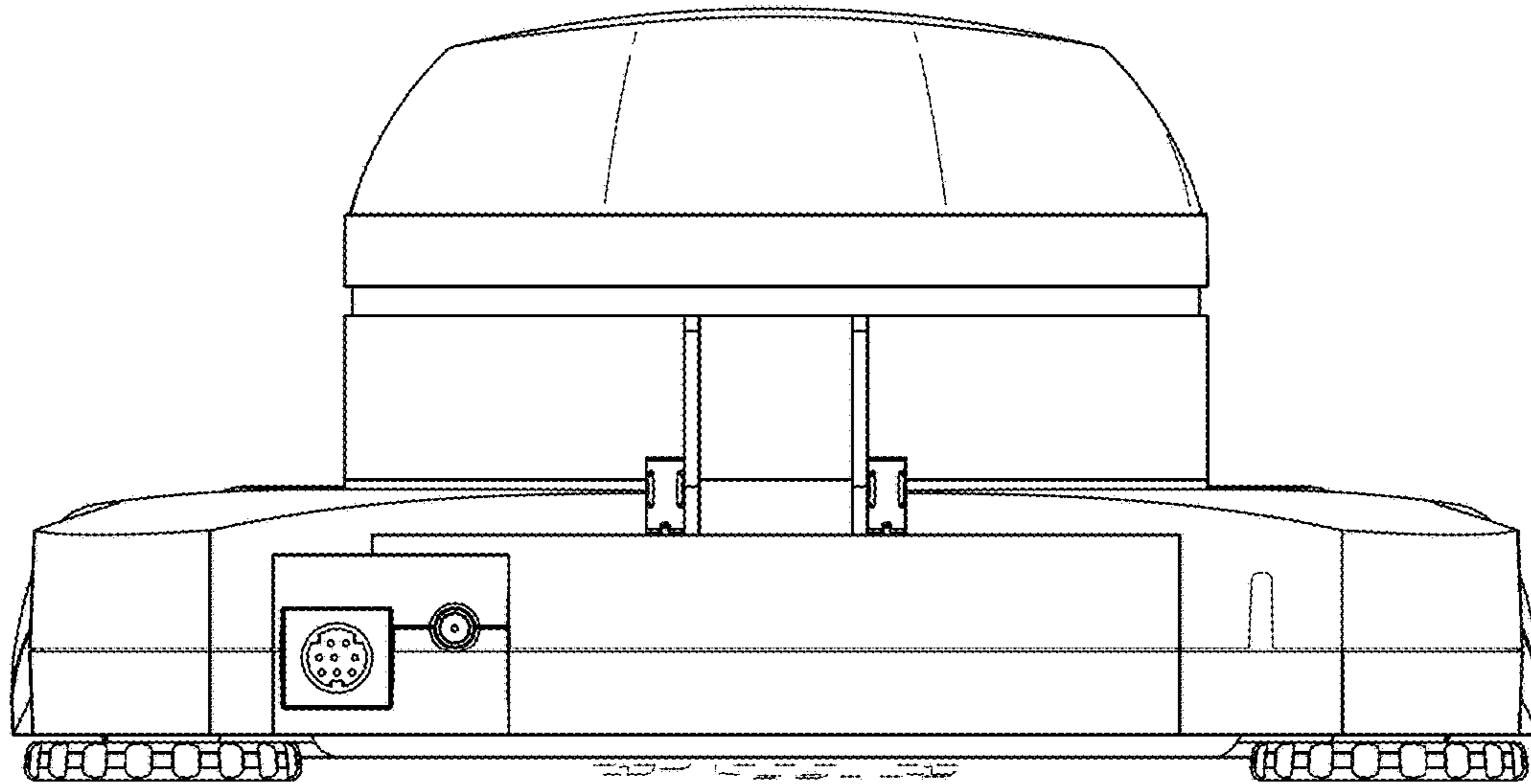


FIG. 34

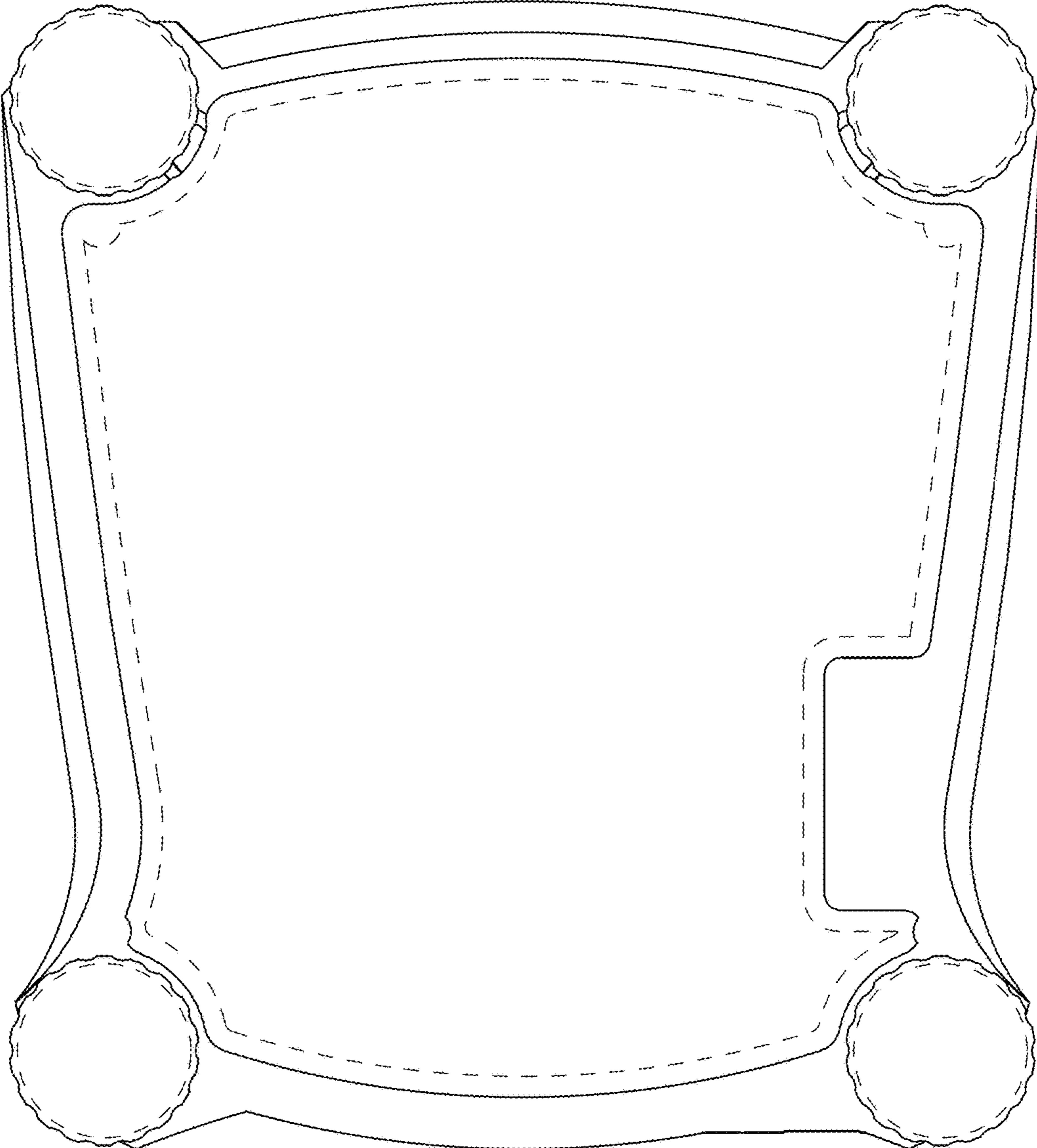


FIG. 35

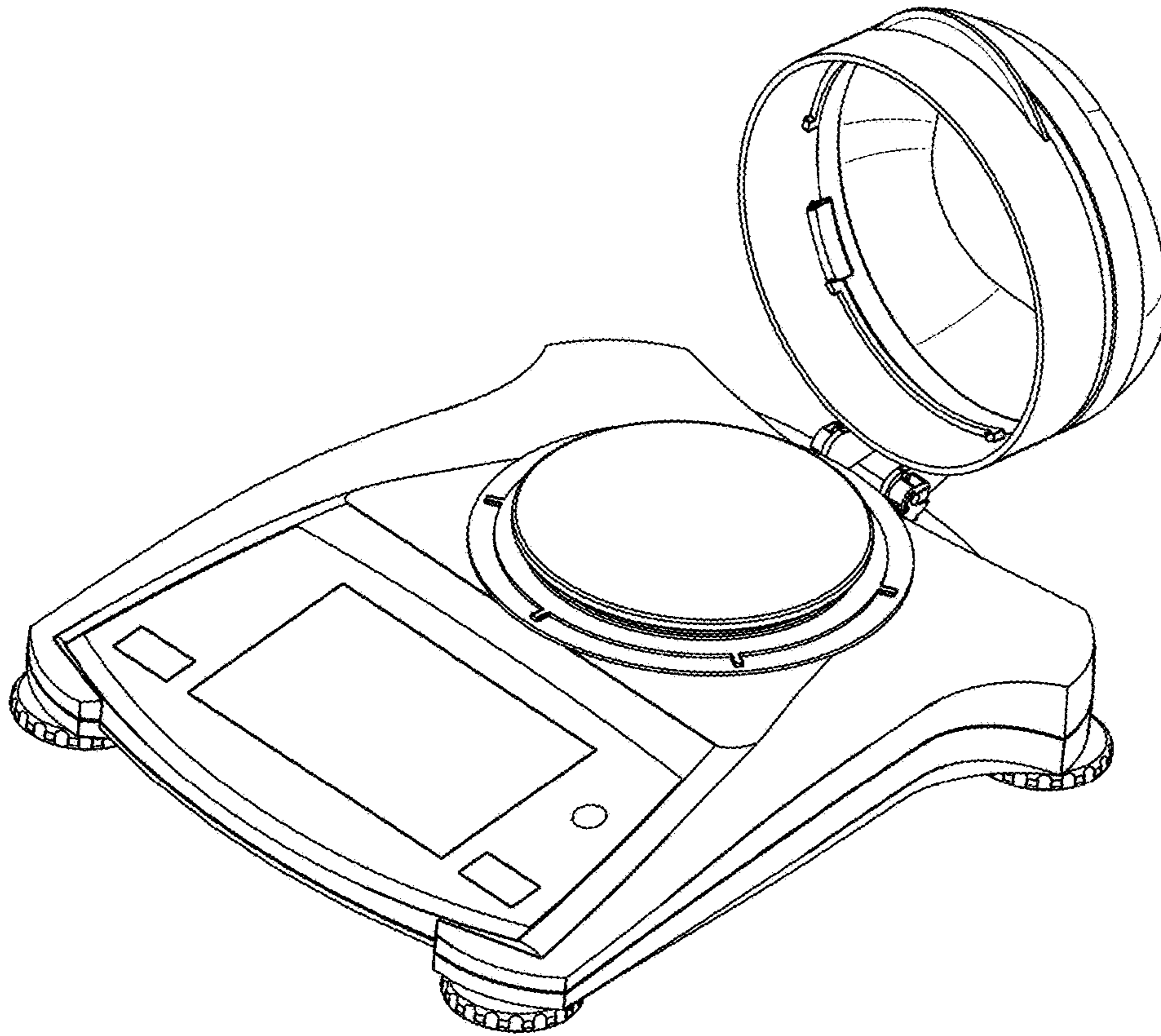


FIG. 36

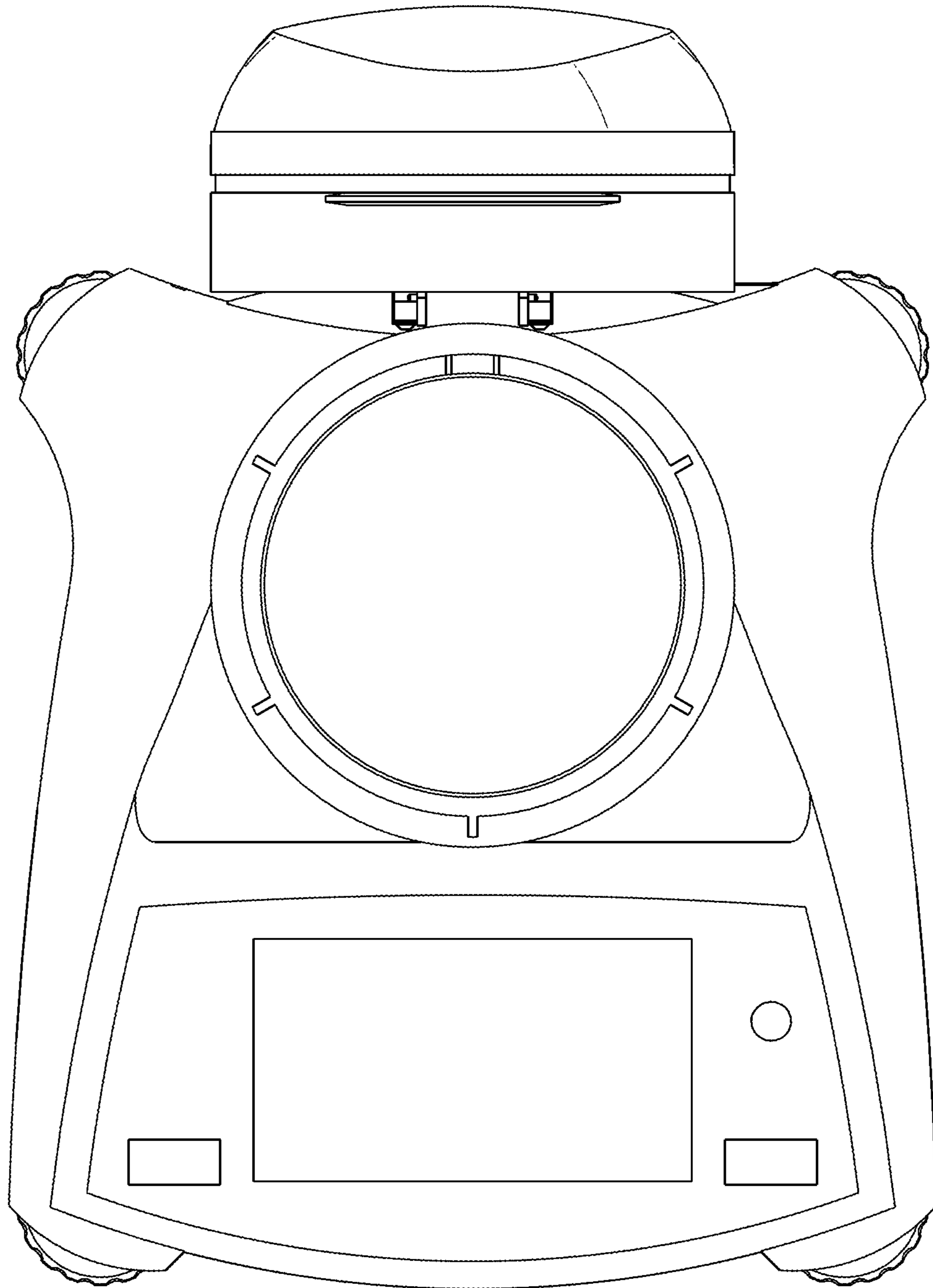


FIG. 37

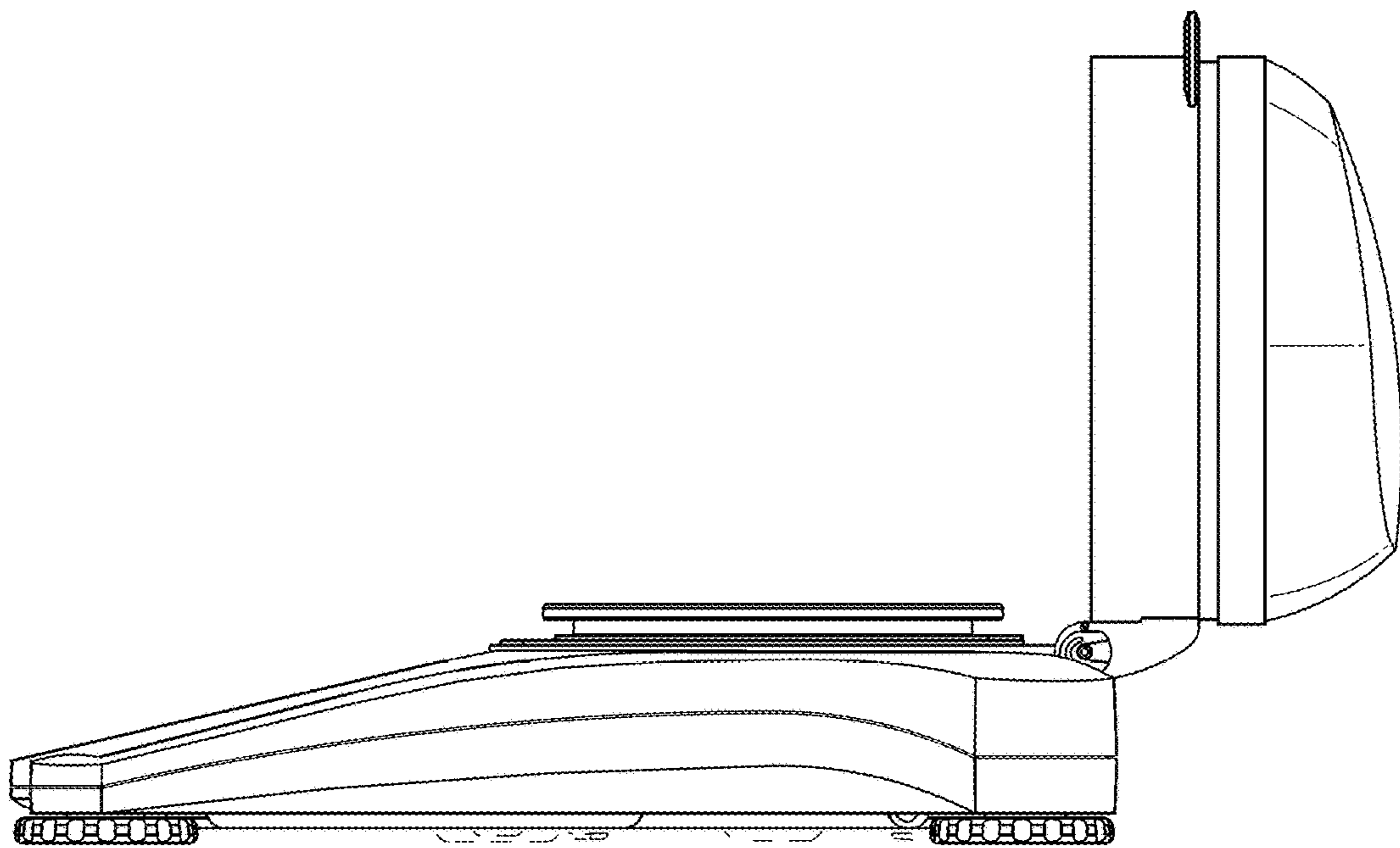


FIG. 38

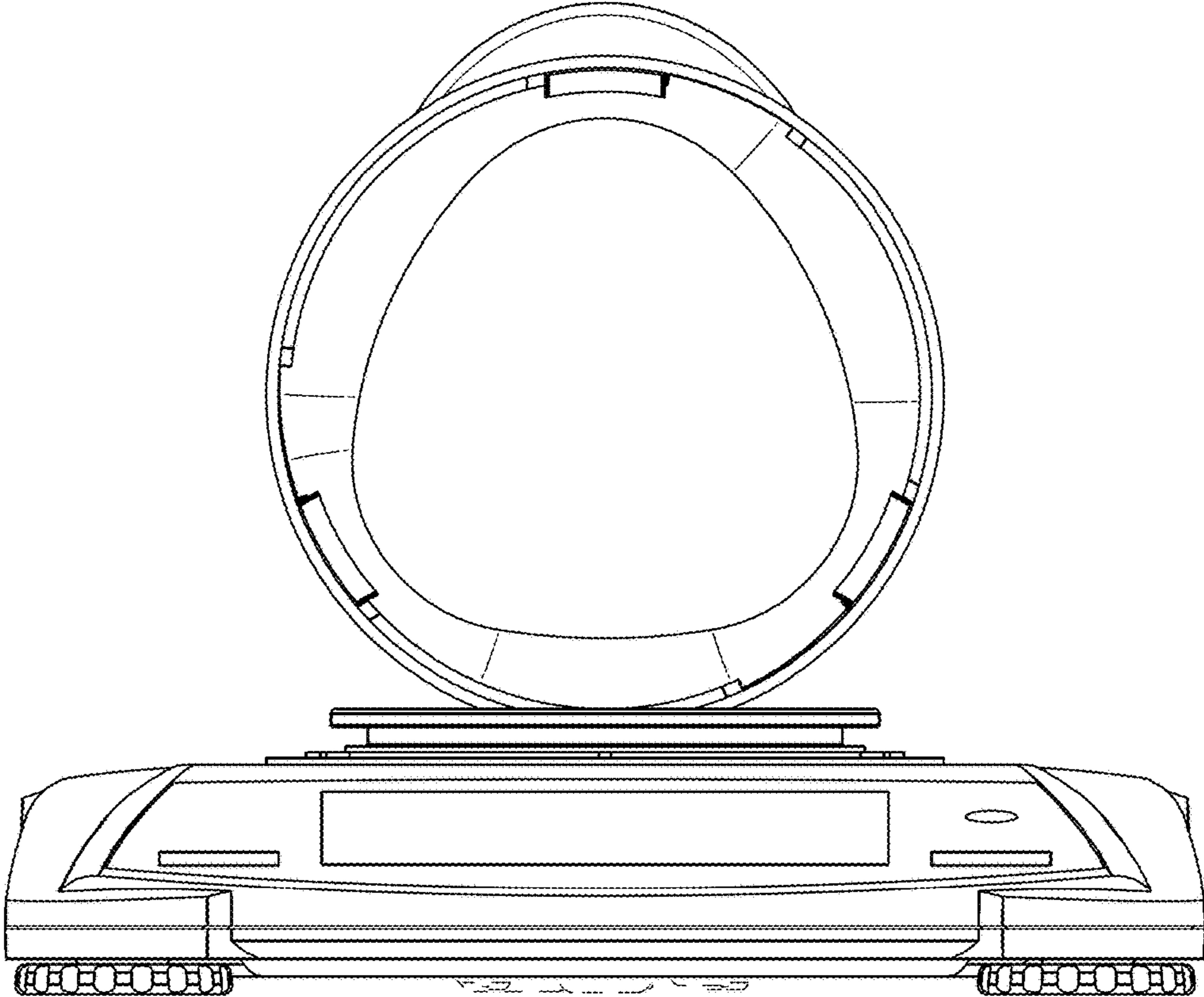


FIG. 39

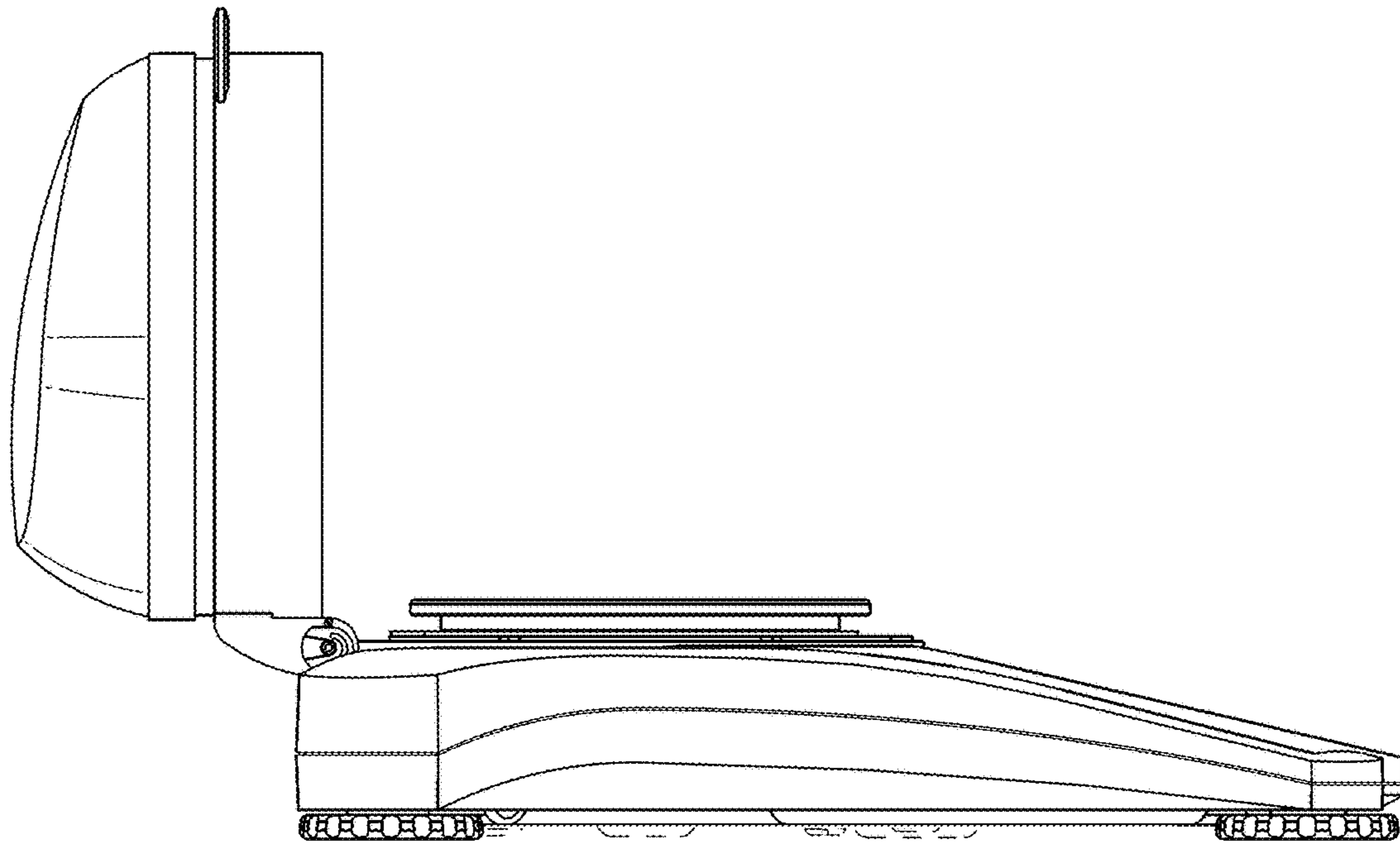


FIG. 40

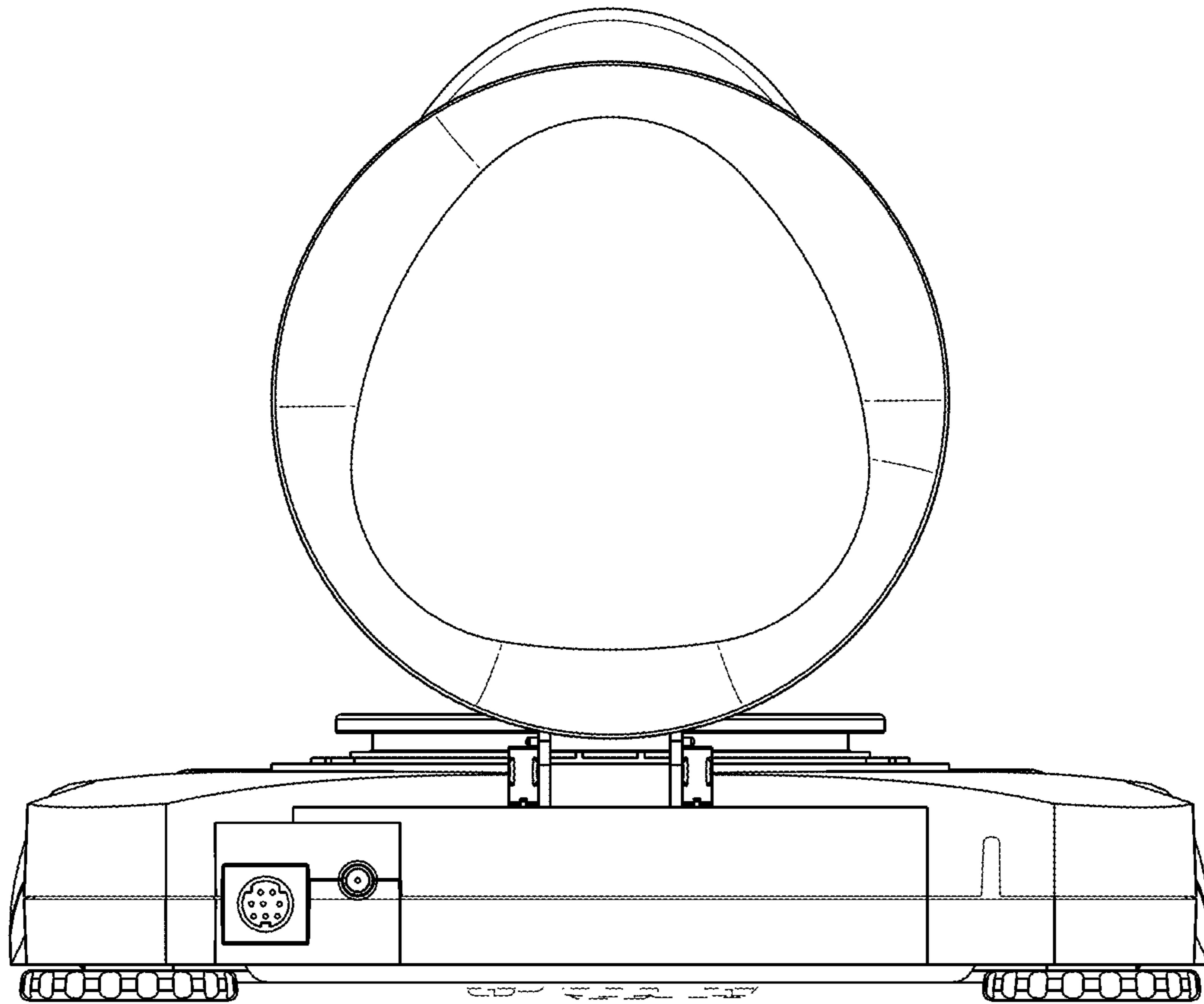


FIG. 41

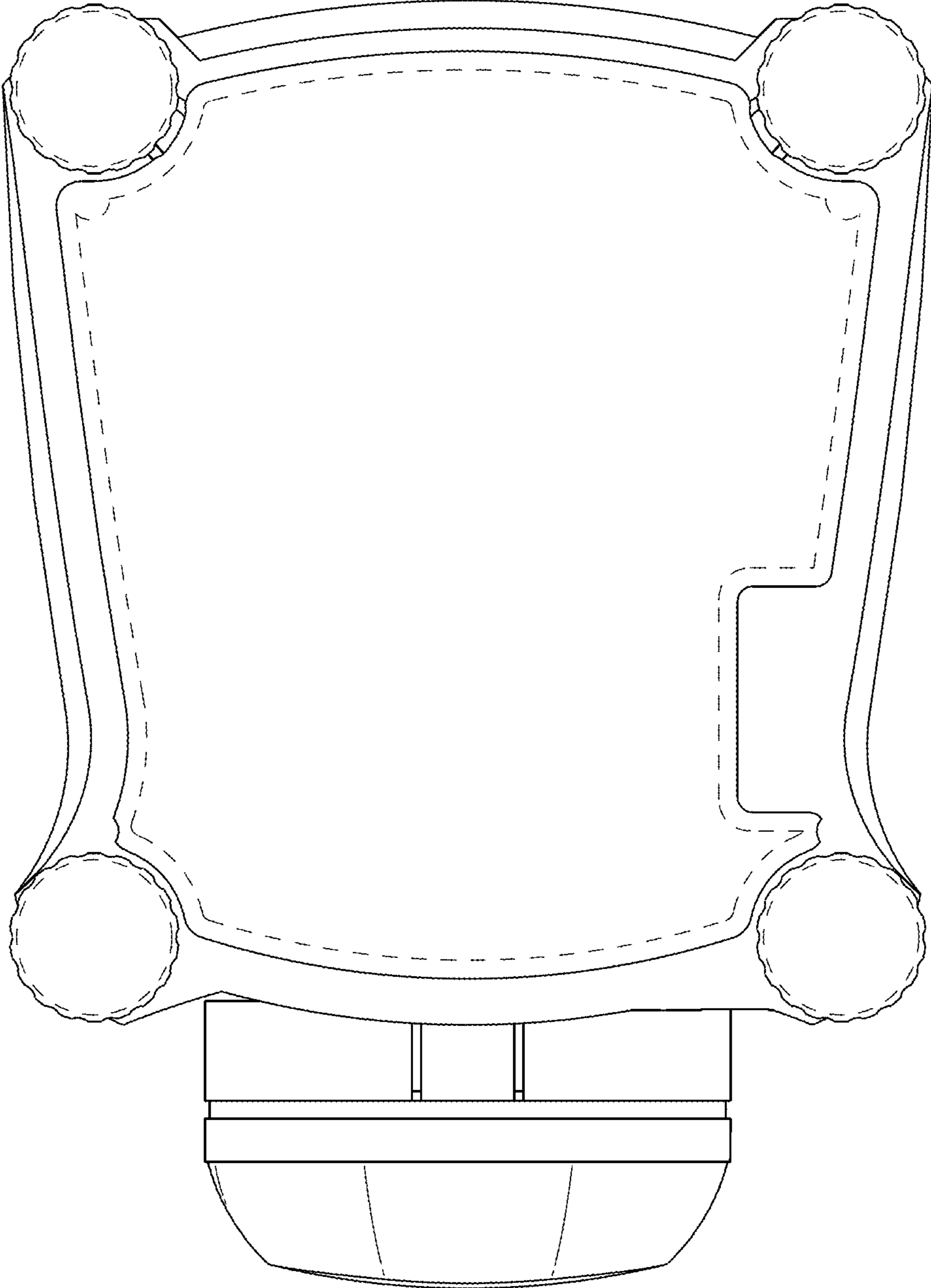


FIG. 42