



US00D787965S

(12) **United States Design Patent**  
**Pan et al.**

(10) **Patent No.:** **US D787,965 S**  
(45) **Date of Patent:** **\*\* May 30, 2017**

(54) **WEIGHT MEASURING INSTRUMENT**

**DESCRIPTION**

(71) Applicant: **Ohaus Instruments (Shanghai) Co., Ltd.**, Shanghai (CN)

(72) Inventors: **Jian Pan**, Changzhou (CN); **Haisong Zhan**, ShangHai (CN); **Duochan Hu**, Chang Zhou (CN); **Jian Cai**, Jiangsu Province (CN)

(73) Assignee: **OHAUS INSTRUMENTS (SHANGHAI) CO., LTD.**, Shanghai (CN)

(\*\*) Term: **15 Years**

(21) Appl. No.: **29/544,702**

(22) Filed: **Nov. 5, 2015**

(30) **Foreign Application Priority Data**

May 14, 2015 (CN) ..... 2015 3 0142236

(51) **LOC (10) Cl.** ..... **10-04**

(52) **U.S. Cl.**  
USPC ..... **D10/91**

(58) **Field of Classification Search**  
USPC ..... D10/87, 88, 89, 90, 91, 92, 93, 94  
(Continued)

(56) **References Cited**

**U.S. PATENT DOCUMENTS**

D670,184 S \* 11/2012 Pobocho ..... D10/91  
D670,590 S \* 11/2012 Pobocho ..... D10/91  
D727,766 S \* 4/2015 Wu ..... D10/91

\* cited by examiner

*Primary Examiner* — Antoine D Davis

(74) *Attorney, Agent, or Firm* — Standley Law Group LLP

(57) **CLAIM**

The ornamental design for a weight measuring instrument, as shown and described.

FIG. 1 is a front perspective view of a first embodiment of the weight measuring instrument;  
FIG. 2 is a top plan view thereof;  
FIG. 3 is a left-side elevation view thereof;  
FIG. 4 is a front elevation view thereof;  
FIG. 5 is a right-side elevation view thereof;  
FIG. 6 is a rear elevation view thereof; and  
FIG. 7 is a bottom plan view thereof;  
FIG. 8 is a front perspective view of a second embodiment of the weight measuring instrument;  
FIG. 9 is a top plan view thereof;  
FIG. 10 is a left-side elevation view thereof;  
FIG. 11 is a front elevation view thereof;  
FIG. 12 is a right-side elevation view thereof;  
FIG. 13 is a rear elevation view thereof; and  
FIG. 14 is a bottom plan view thereof;  
FIG. 15 is a front perspective view of a third embodiment of the weight measuring instrument;  
FIG. 16 is a top plan view thereof;  
FIG. 17 is a left-side elevation view thereof;  
FIG. 18 is a front elevation view thereof;  
FIG. 19 is a right-side elevation view thereof;  
FIG. 20 is a rear elevation view thereof; and  
FIG. 21 is a bottom plan view thereof;  
FIG. 22 is a front perspective view of a fourth embodiment of the weight measuring instrument;  
FIG. 23 is a top plan view thereof;  
FIG. 24 is a left-side elevation view thereof;  
FIG. 25 is a front elevation view thereof;  
FIG. 26 is a right-side elevation view thereof;  
FIG. 27 is a rear elevation view thereof; and  
FIG. 28 is a bottom plan view thereof;  
FIG. 29 is a front perspective view of a fifth embodiment of the weight measuring instrument;  
FIG. 30 is a top plan view thereof;  
FIG. 31 is a left-side elevation view thereof;  
FIG. 32 is a front elevation view thereof;  
FIG. 33 is a right-side elevation view thereof;  
FIG. 34 is a rear elevation view thereof; and  
FIG. 35 is a bottom plan view thereof;

(Continued)

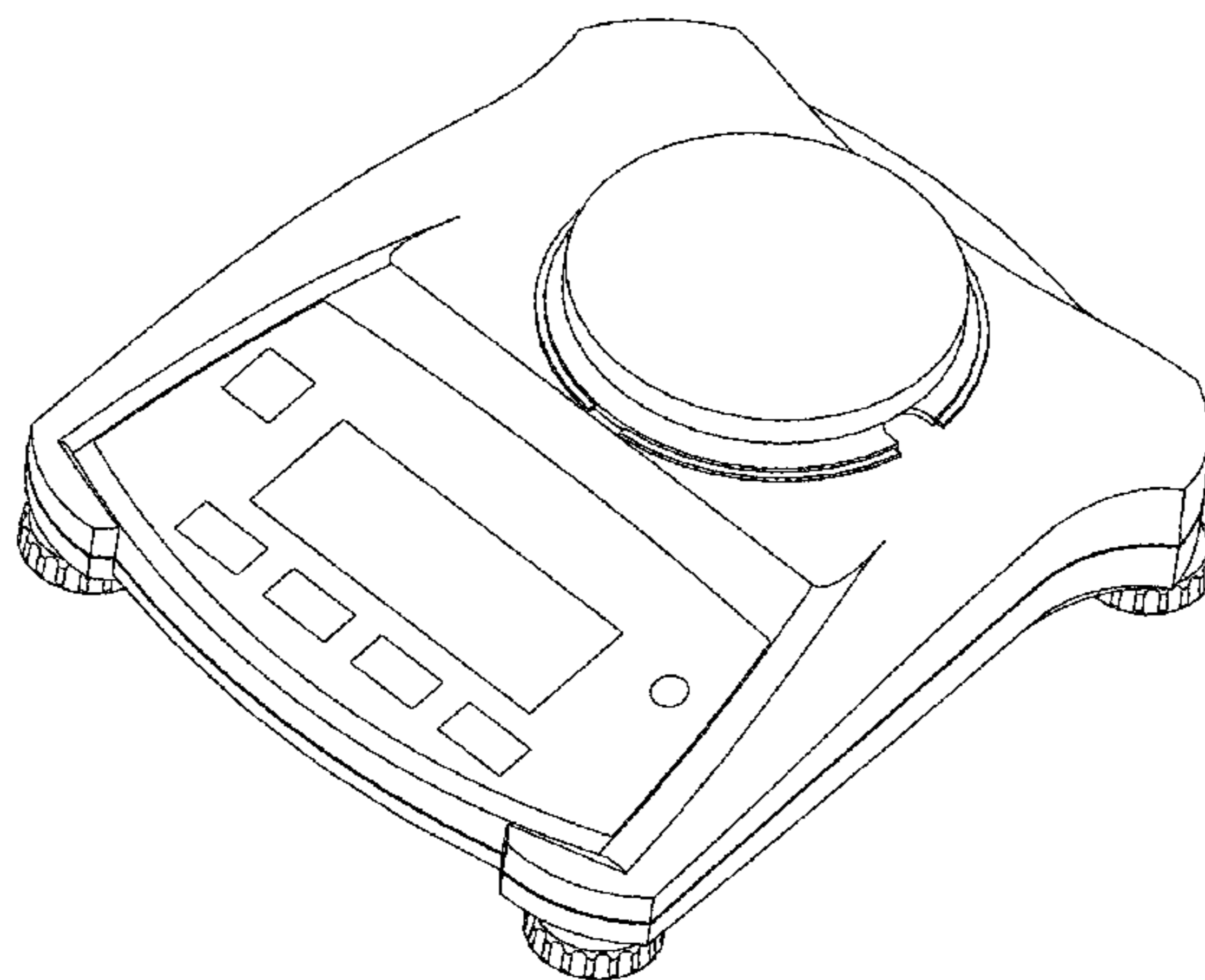


FIG. 36 is a front perspective view of a sixth embodiment of the weight measuring instrument;  
FIG. 37 is a top plan view thereof;  
FIG. 38 is a left-side elevation view thereof;  
FIG. 39 is a front elevation view thereof;  
FIG. 40 is a right-side elevation view thereof;  
FIG. 41 is a rear elevation view thereof; and  
FIG. 42 is a bottom plan view thereof;  
FIG. 43 is a front perspective view of a seventh embodiment of the weight measuring instrument;  
FIG. 44 is a top plan view thereof;  
FIG. 45 is a left-side elevation view thereof;  
FIG. 46 is a front elevation view thereof;  
FIG. 47 is a right-side elevation view thereof;  
FIG. 48 is a rear elevation view thereof; and  
FIG. 49 is a bottom plan view thereof;  
FIG. 50 is a front perspective view of an eighth embodiment of the weight measuring instrument;  
FIG. 51 is a top plan view thereof;  
FIG. 52 is a left-side elevation view thereof;  
FIG. 53 is a front elevation view thereof;  
FIG. 54 is a right-side elevation view thereof;  
FIG. 55 is a rear elevation view thereof; and  
FIG. 56 is a bottom plan view thereof;  
FIG. 57 is a front perspective view of a ninth embodiment of the weight measuring instrument;  
FIG. 58 is a top plan view thereof;  
FIG. 59 is a left-side elevation view thereof;  
FIG. 60 is a front elevation view thereof;  
FIG. 61 is a right-side elevation view thereof;  
FIG. 62 is a rear elevation view thereof; and

FIG. 63 is a bottom plan view thereof;  
FIG. 64 is a front perspective view of a tenth embodiment of the weight measuring instrument;  
FIG. 65 is a top plan view thereof;  
FIG. 66 is a left-side elevation view thereof;  
FIG. 67 is a front elevation view thereof;  
FIG. 68 is a right-side elevation view thereof;  
FIG. 69 is a rear elevation view thereof; and  
FIG. 70 is a bottom plan view thereof;  
FIG. 71 is a front perspective view of an eleventh embodiment of the weight measuring instrument;  
FIG. 72 is a top plan view thereof;  
FIG. 73 is a left-side elevation view thereof;  
FIG. 74 is a front elevation view thereof;  
FIG. 75 is a right-side elevation view thereof;  
FIG. 76 is a rear elevation view thereof; and  
FIG. 77 is a bottom plan view thereof.

The broken lines on several figures are for the purpose of non-claimed subject matter of the measuring instrument.

**1 Claim, 77 Drawing Sheets**

**(58) Field of Classification Search**

CPC ..... A61B 5/053; A61B 5/4872; A61B 5/0537;  
A61B 5/4869; A61B 5/6825; A61B  
5/6829; A61B 5/7445; G01G 19/44;  
G01G 19/445; G01G 19/46; G01G 19/48;  
G01G 19/50; G01G 21/28; G01G 21/283;  
G01G 19/286; G01G 19/30

See application file for complete search history.

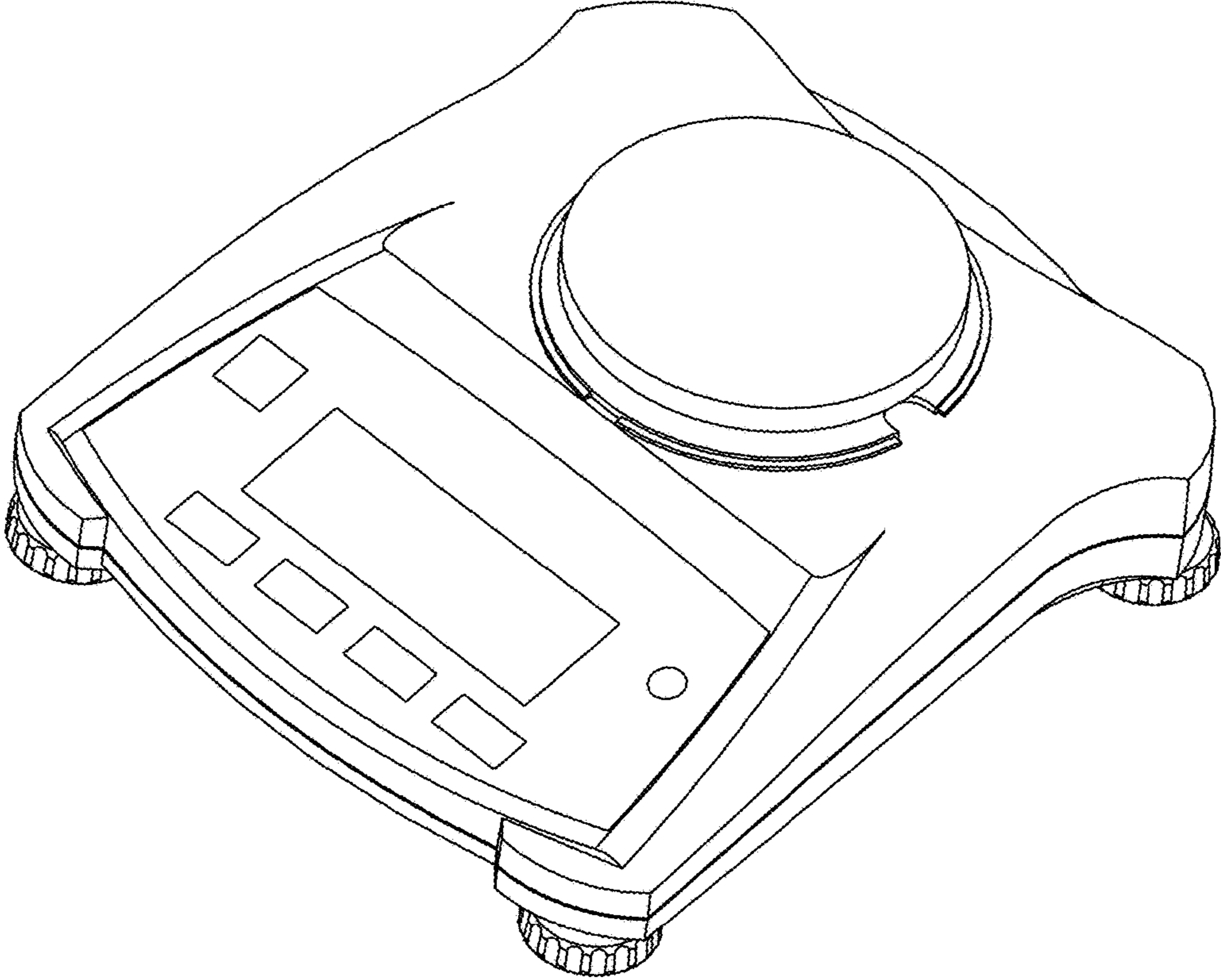


FIG. 1

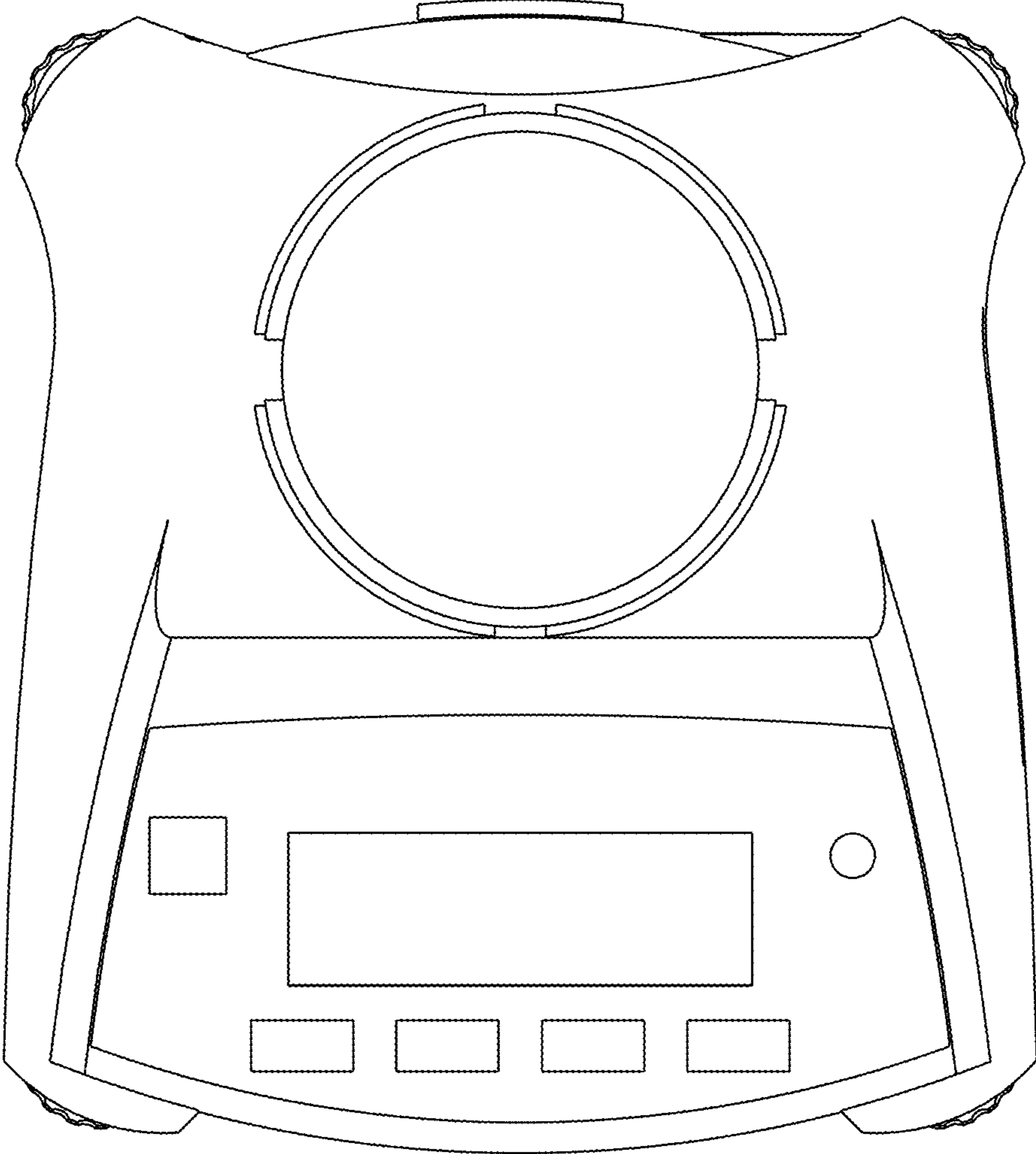


FIG. 2

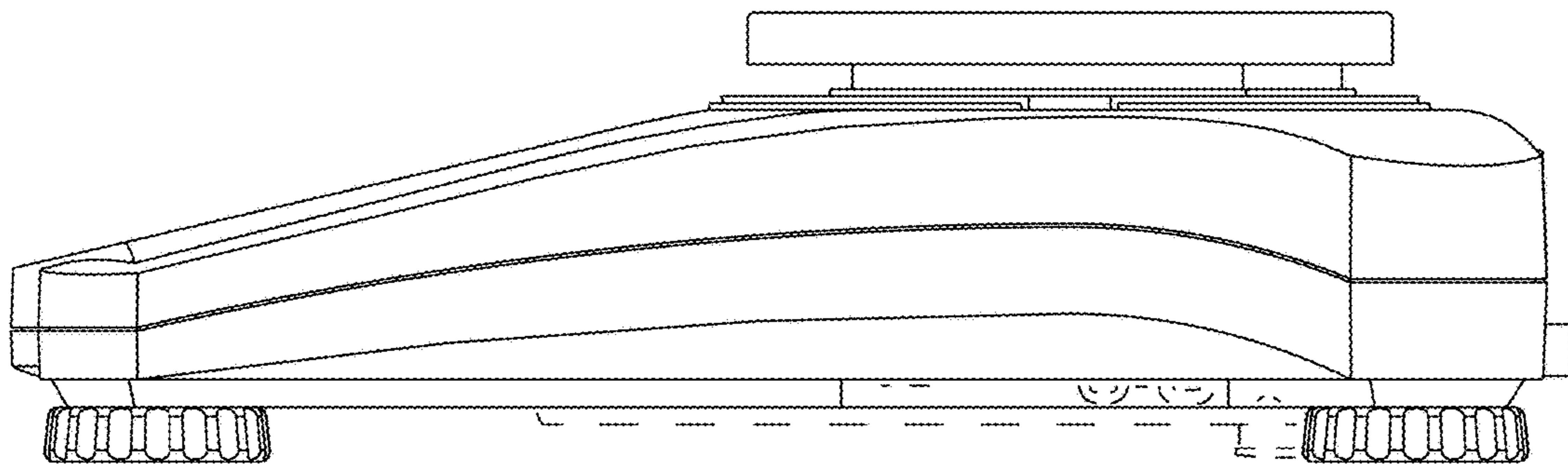


FIG. 3

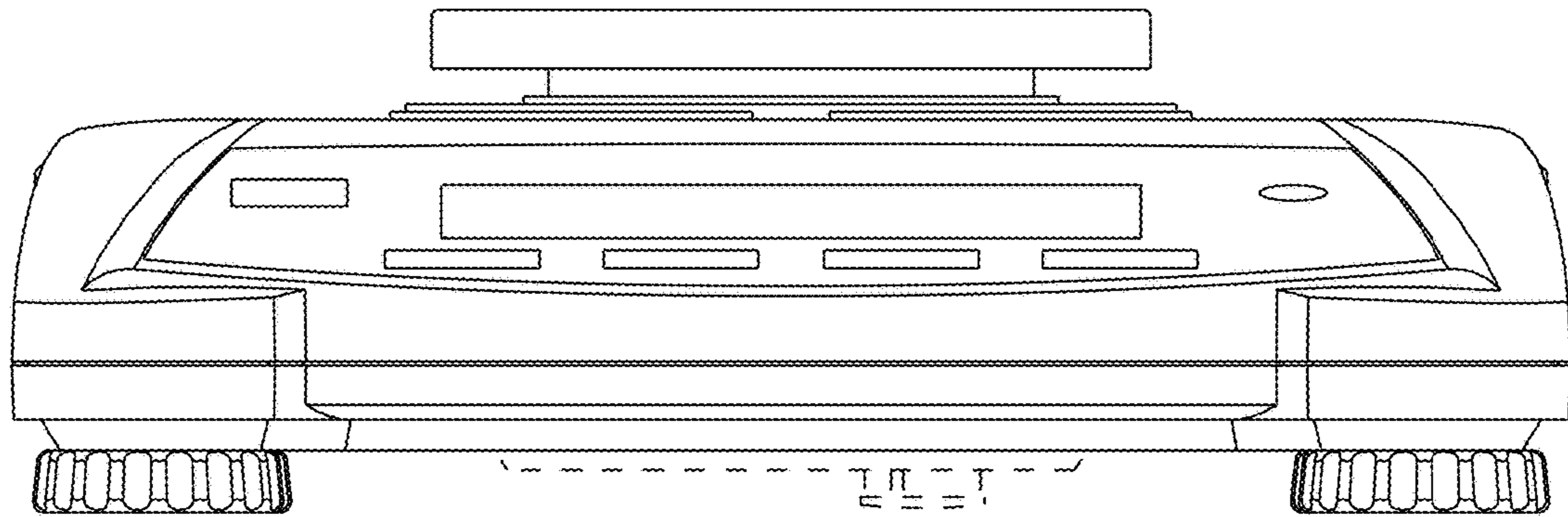


FIG. 4

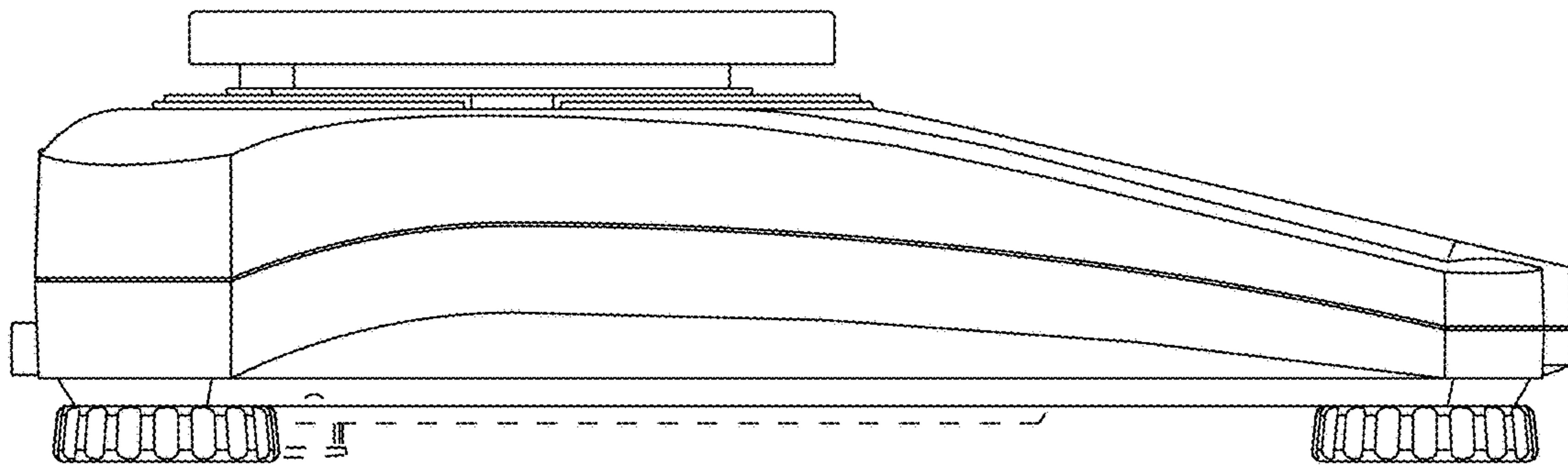


FIG. 5

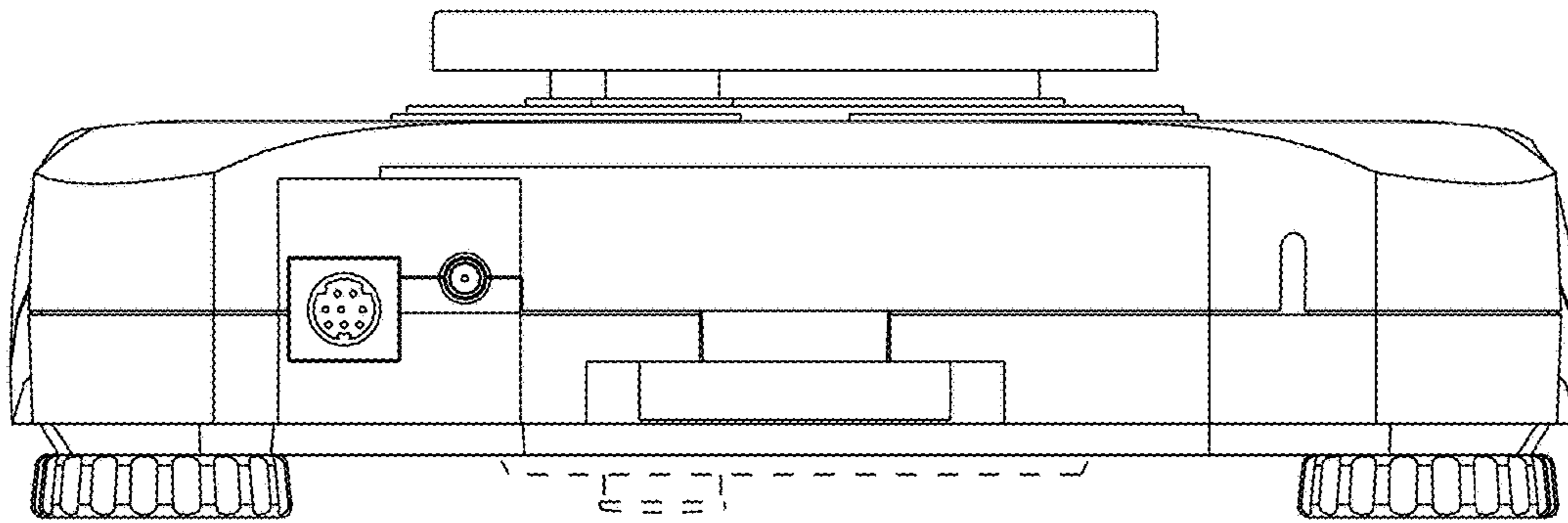


FIG. 6



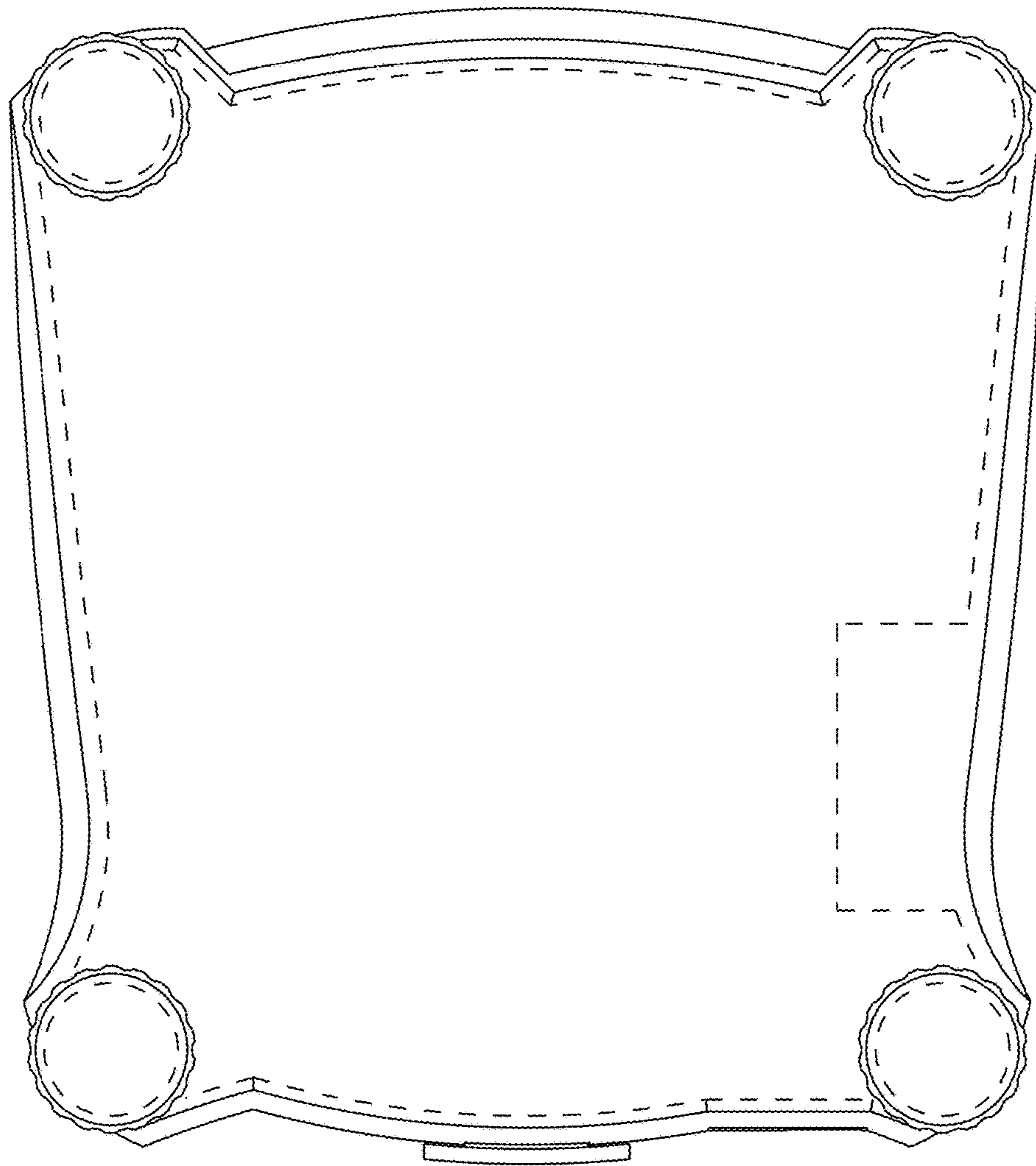


FIG. 7

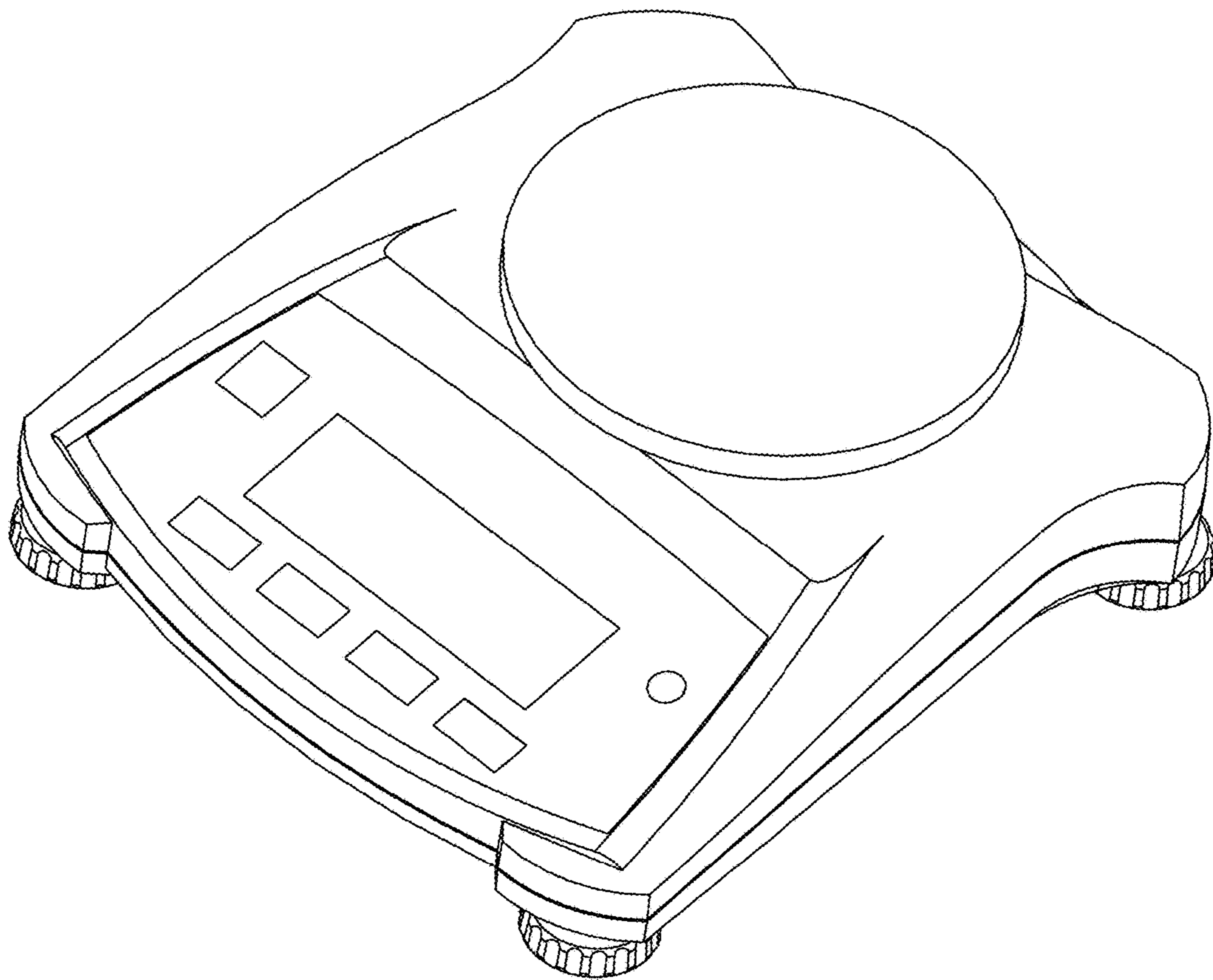


FIG. 8

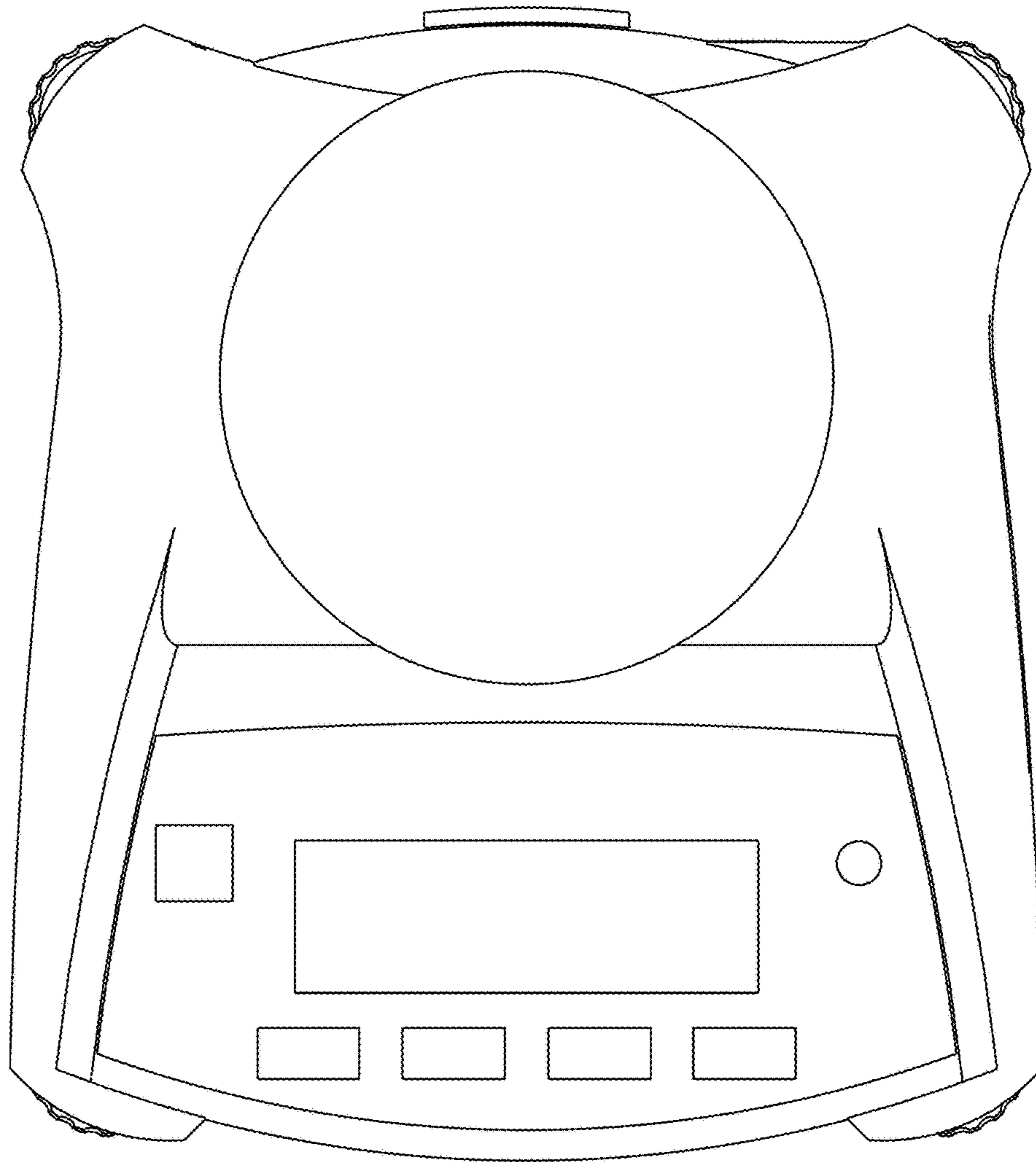


FIG. 9

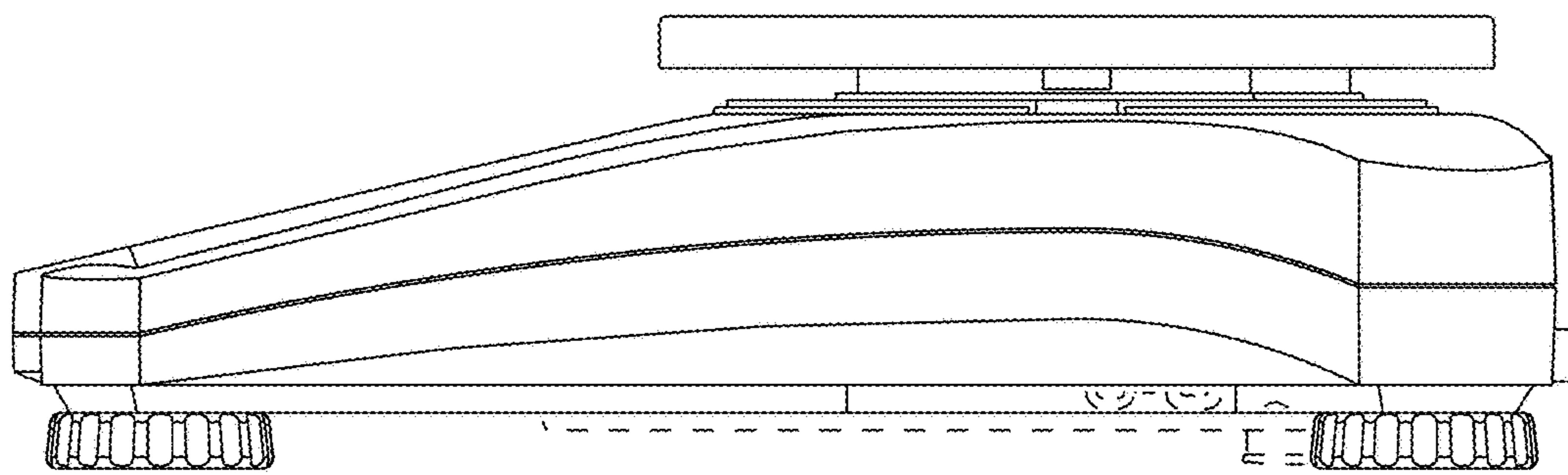


FIG. 10

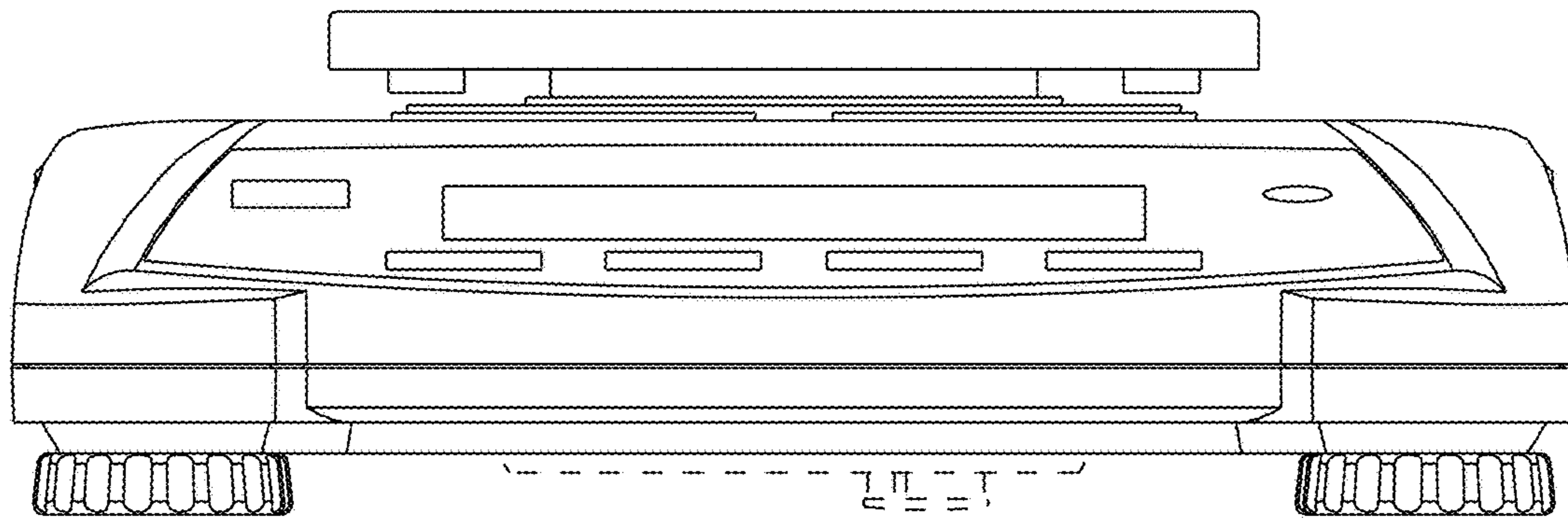


FIG. 11

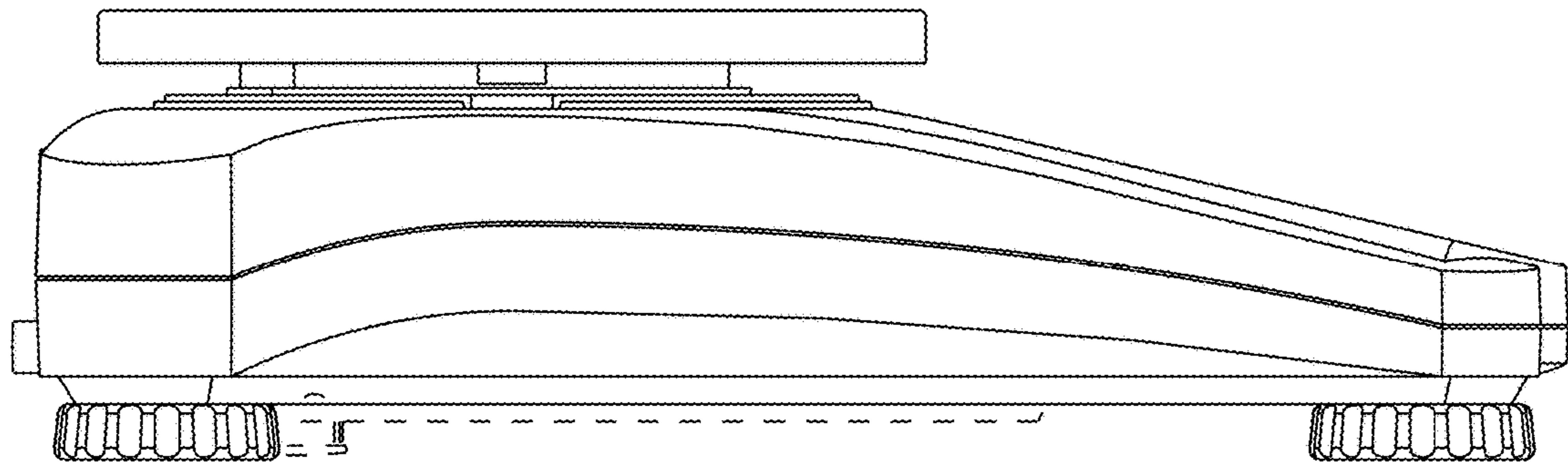


FIG. 12

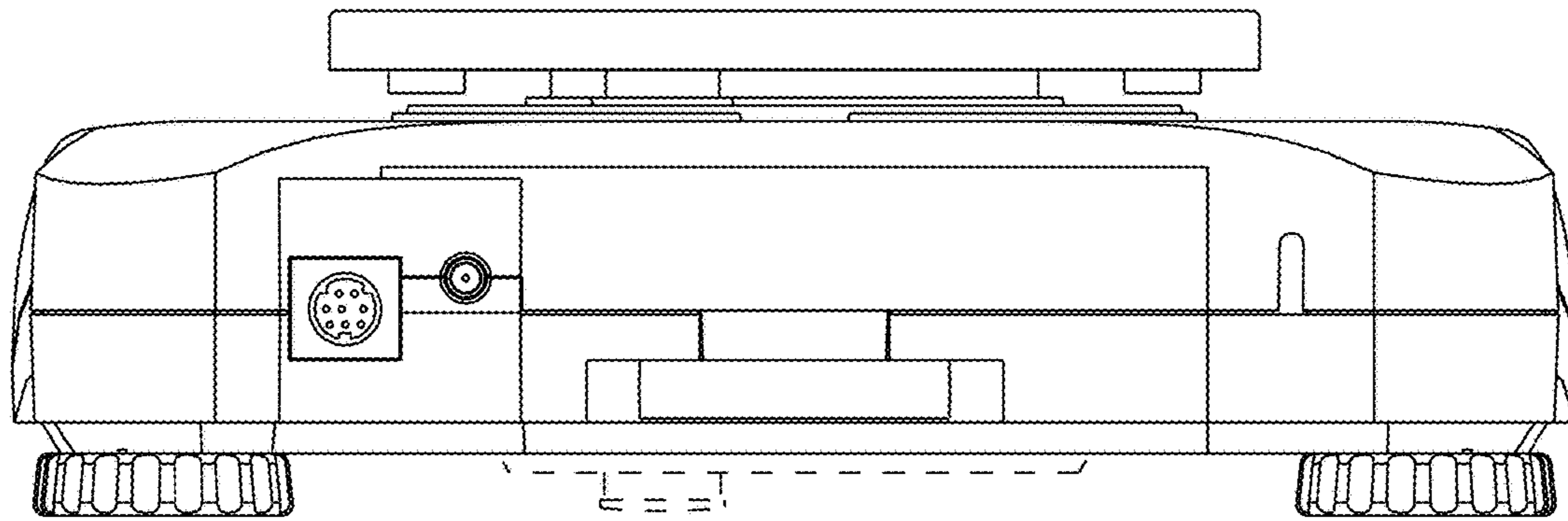


FIG. 13

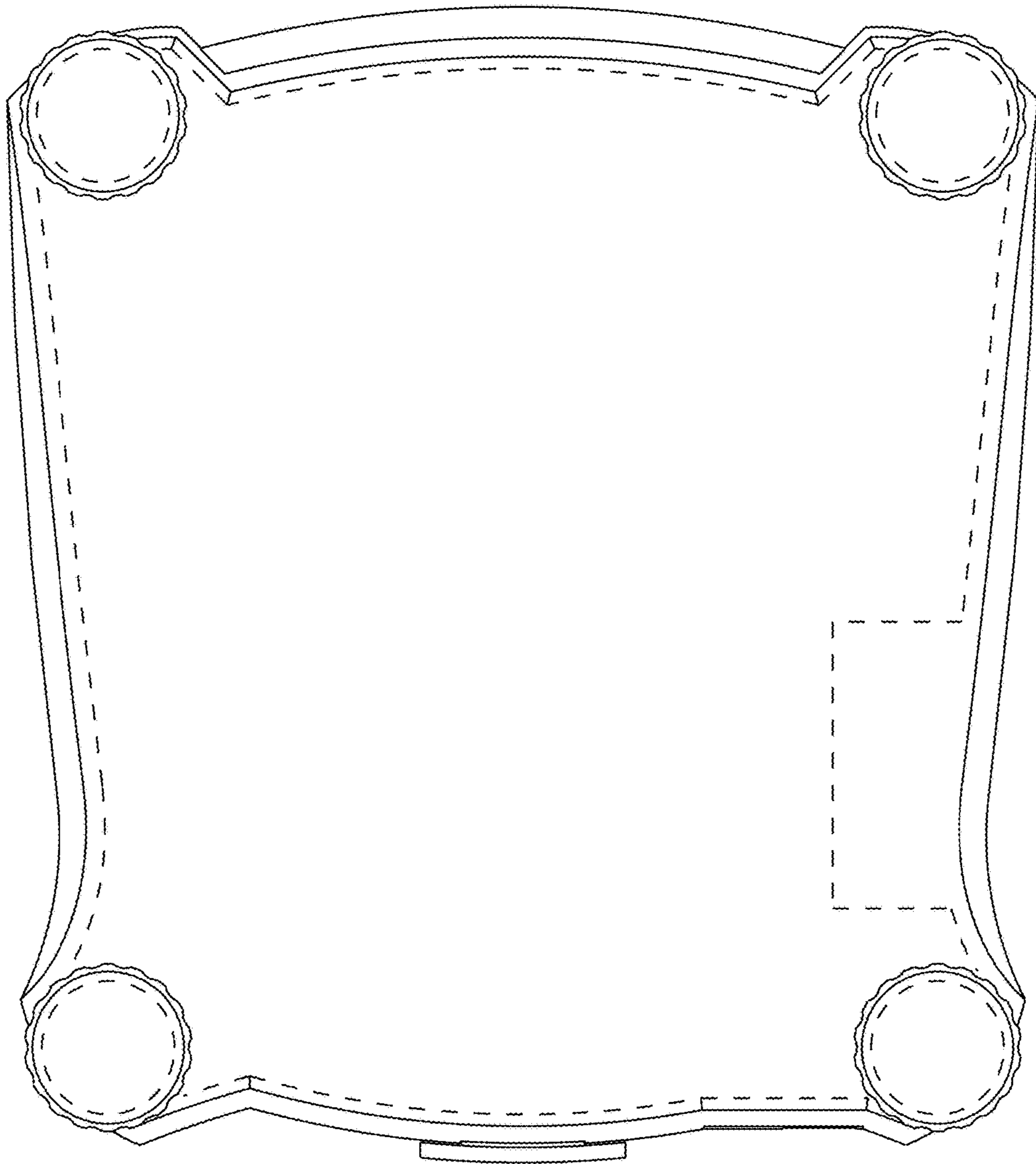


FIG. 14



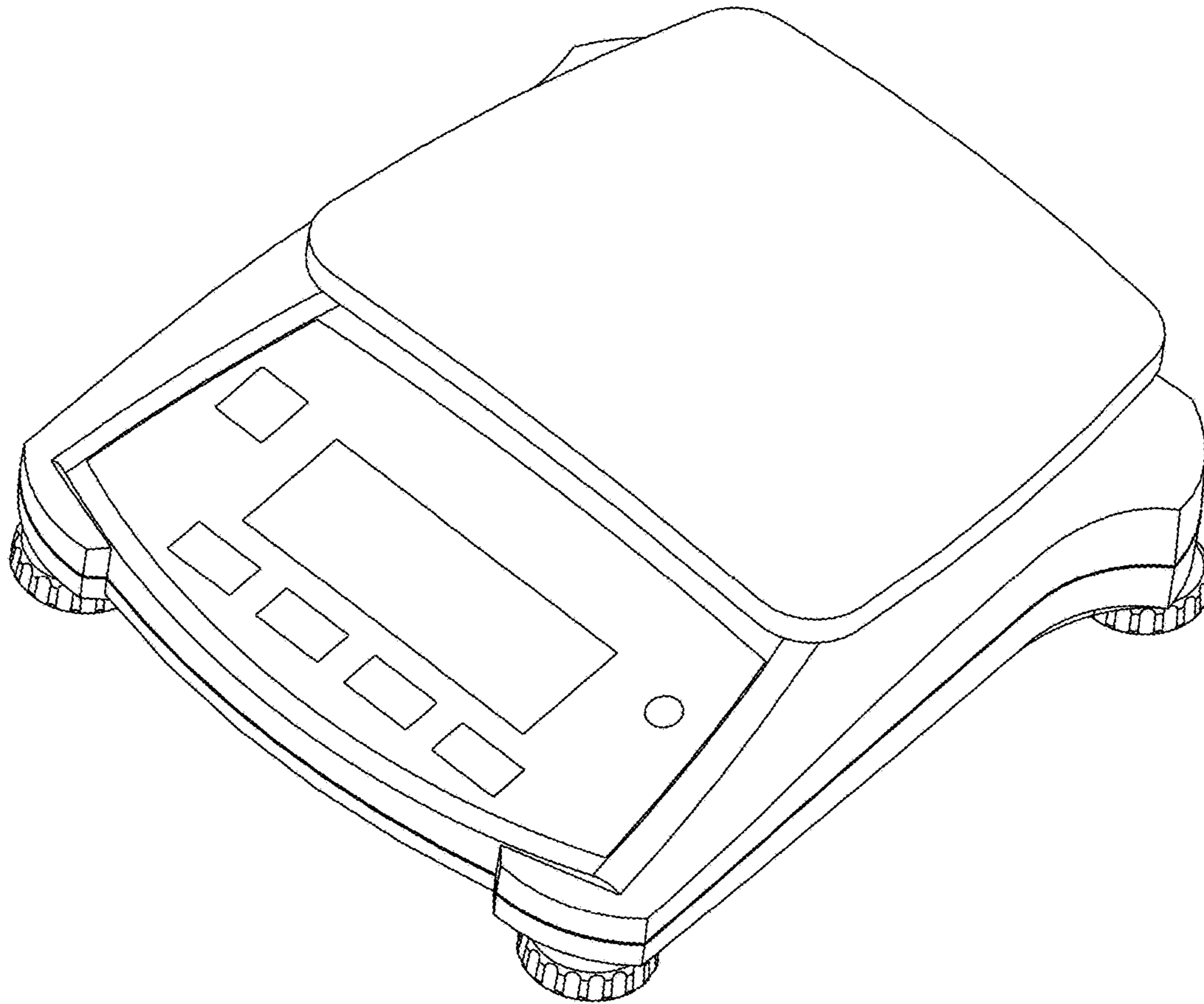


FIG. 15

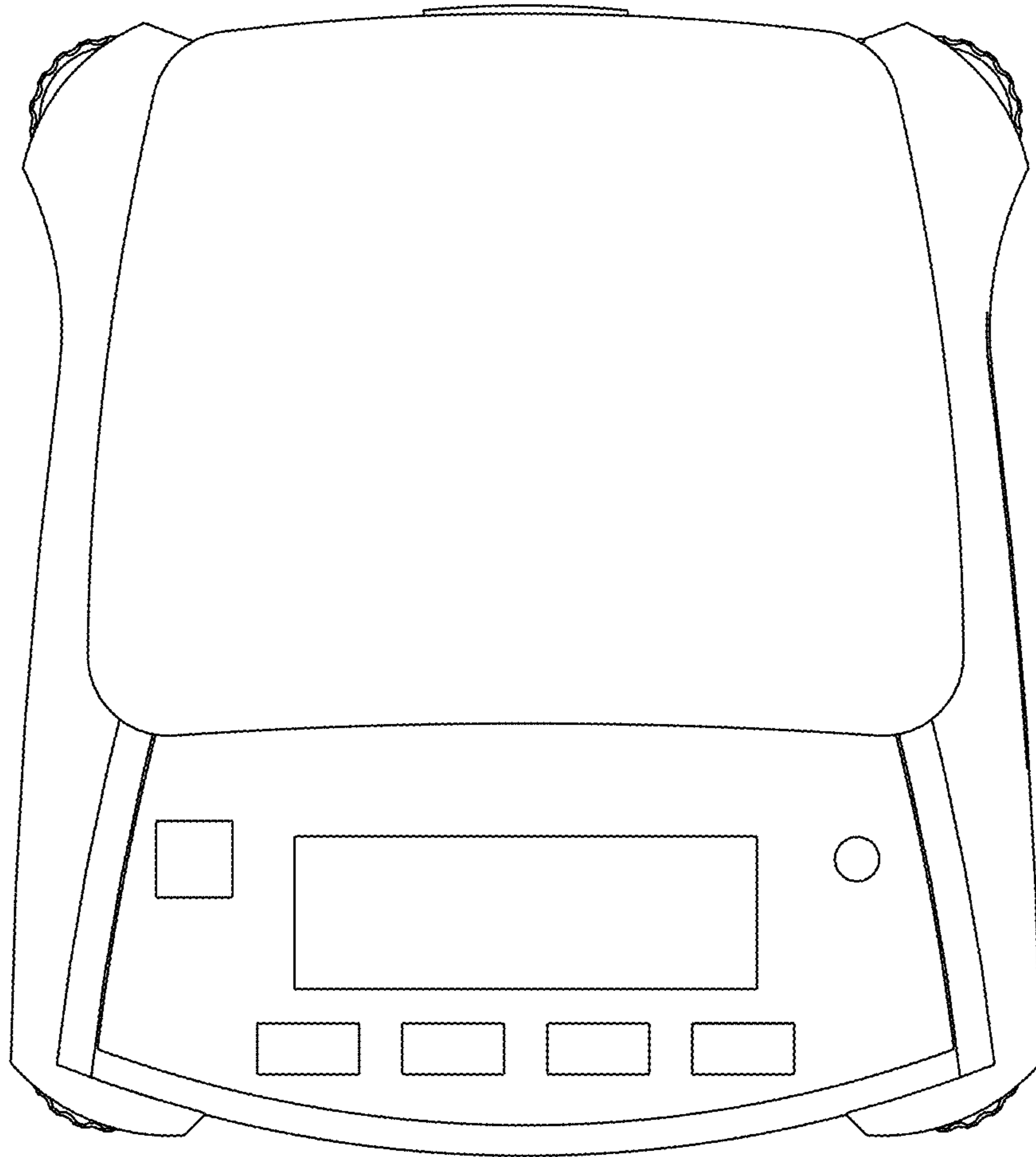


FIG. 16

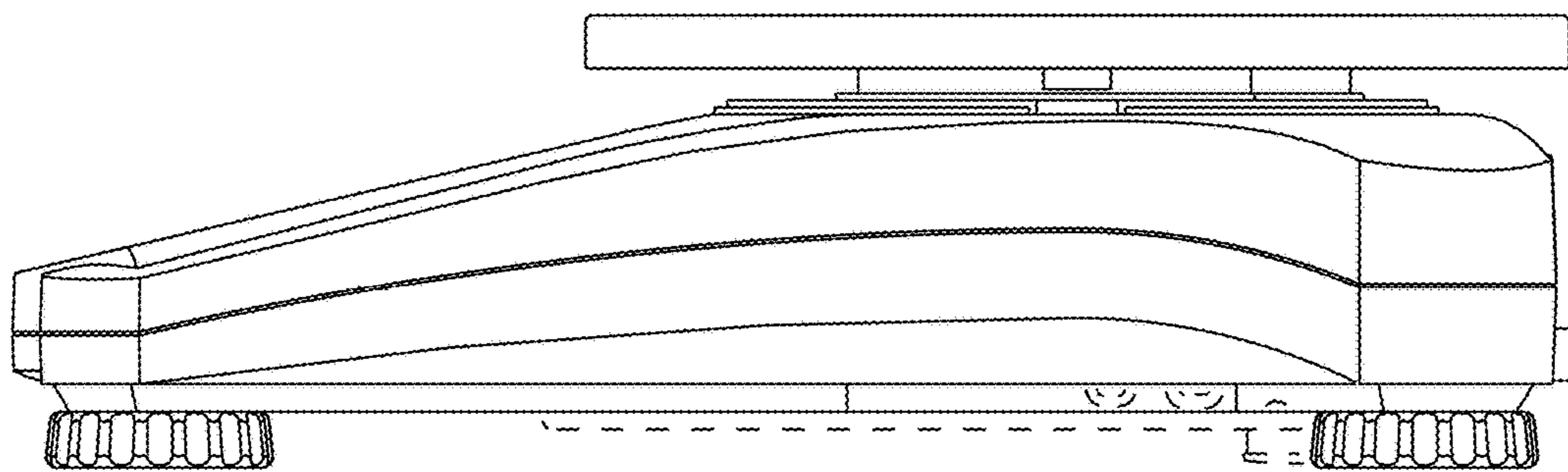


FIG. 17

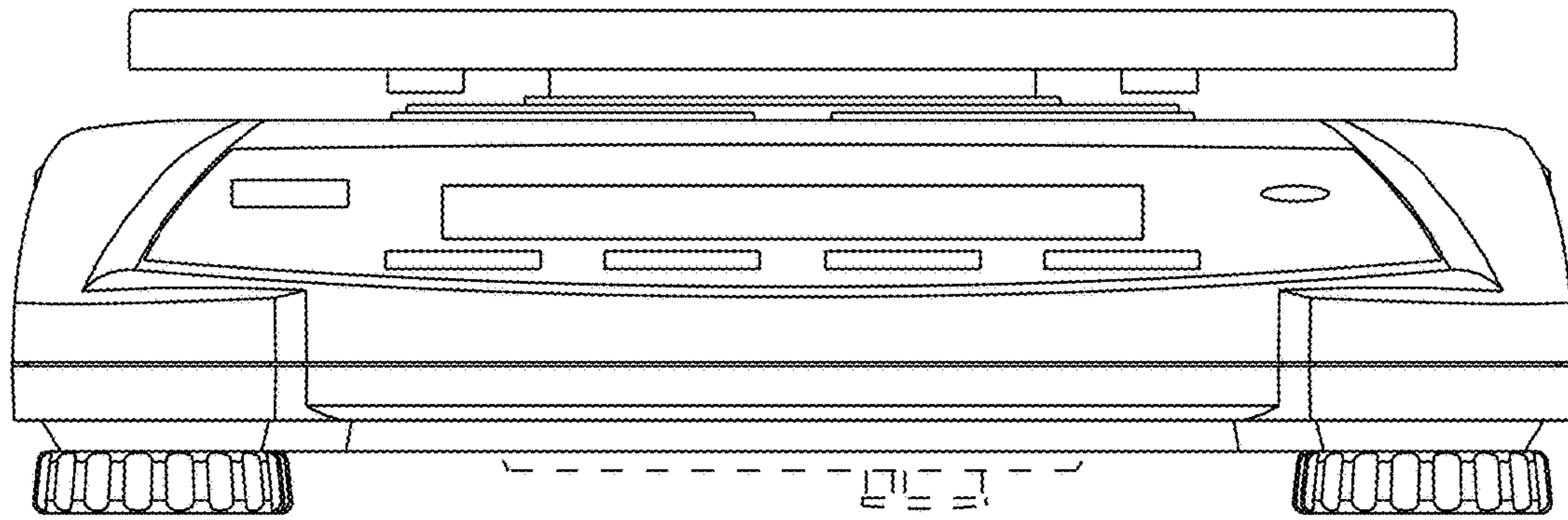


FIG. 18

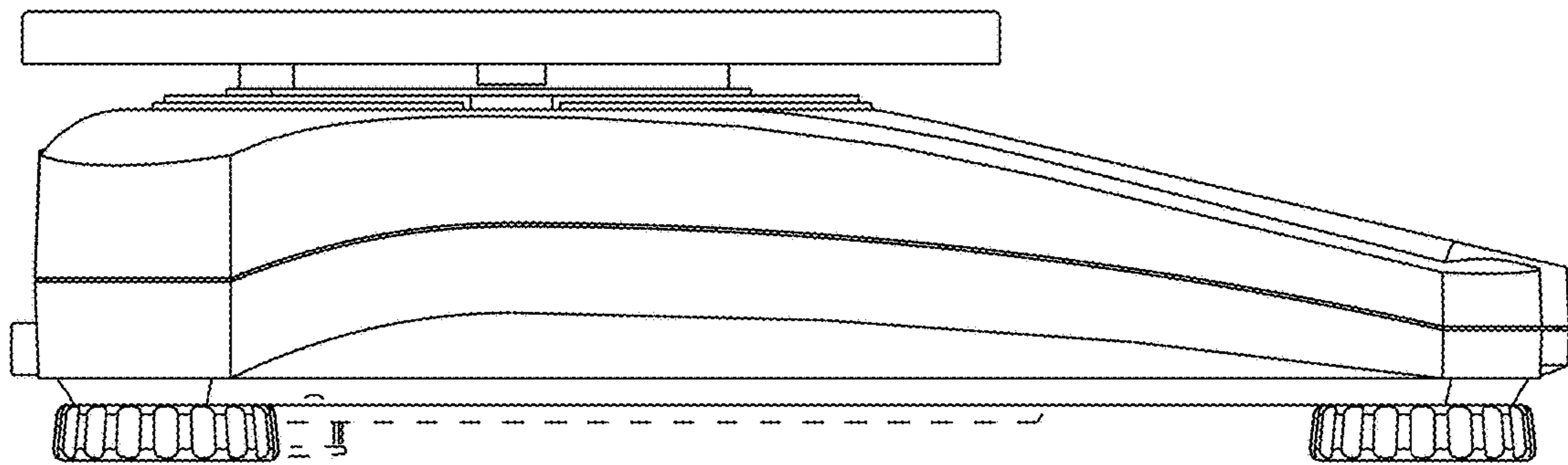


FIG. 19

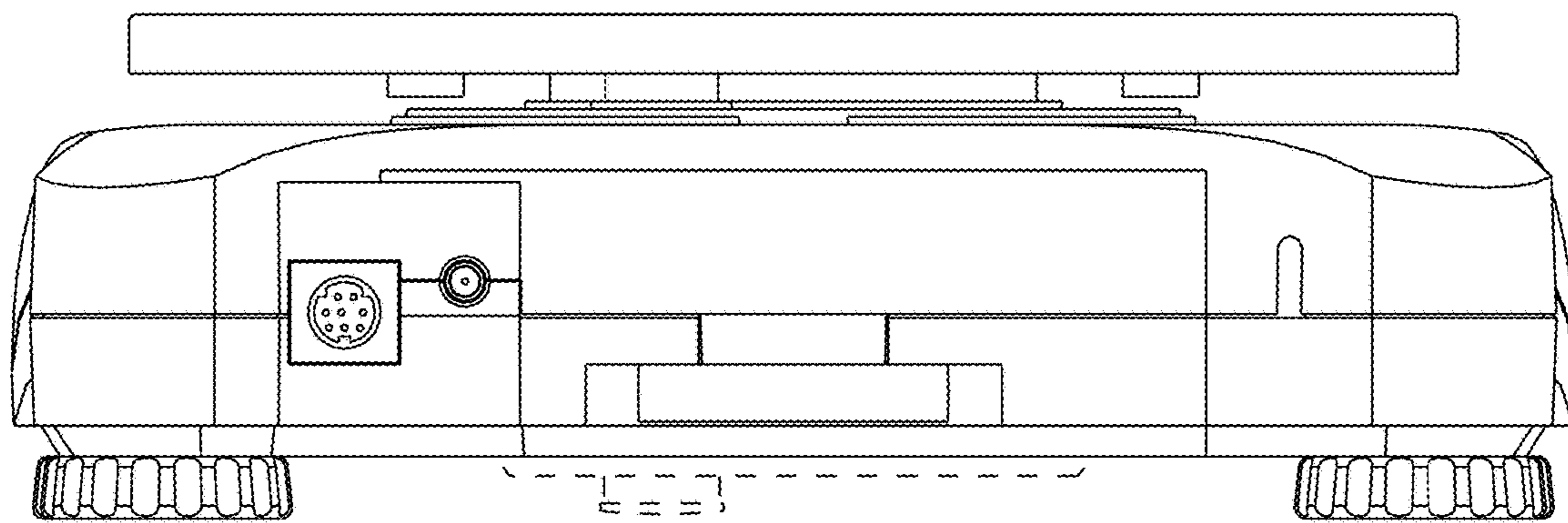


FIG. 20

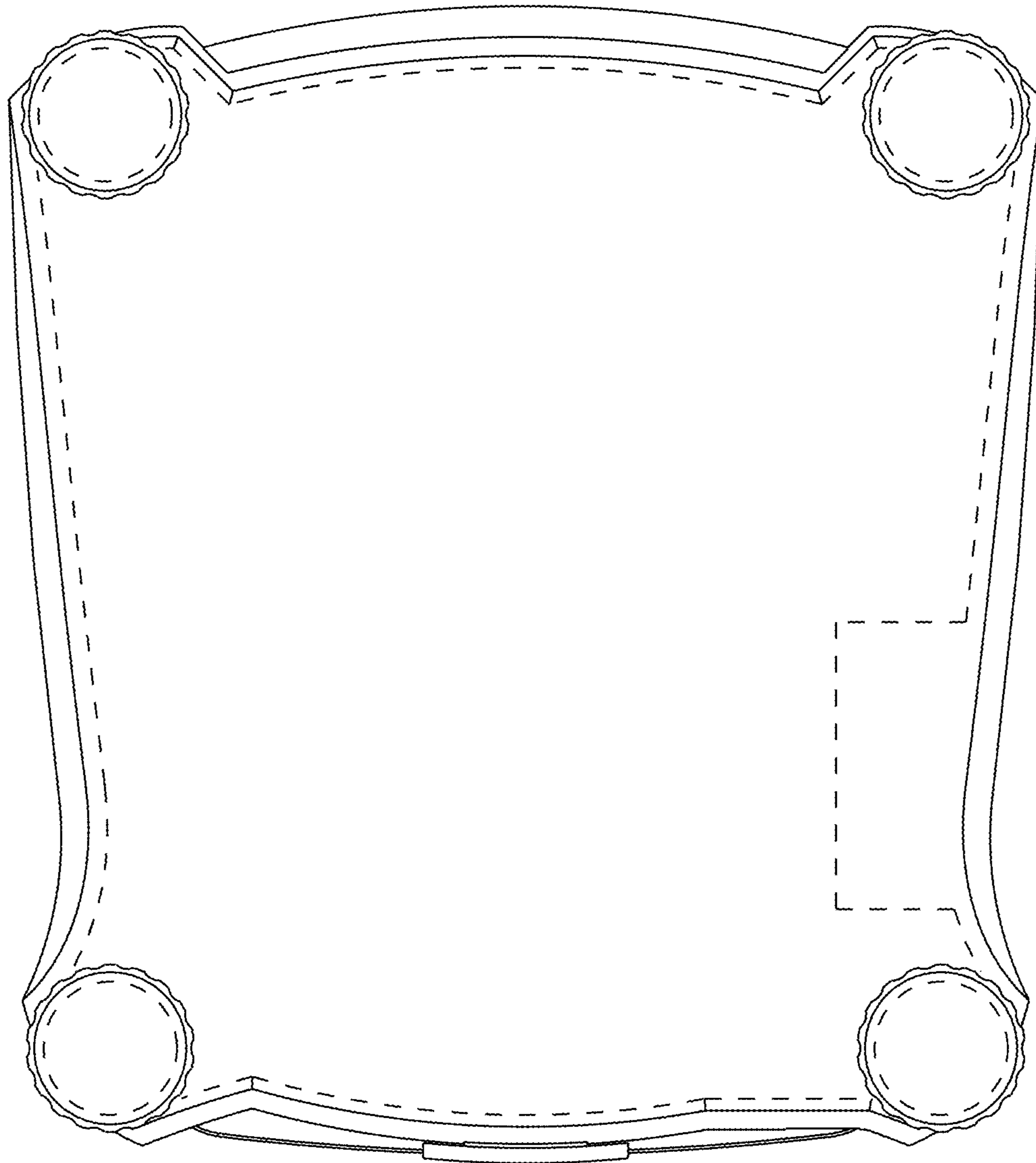


FIG. 21

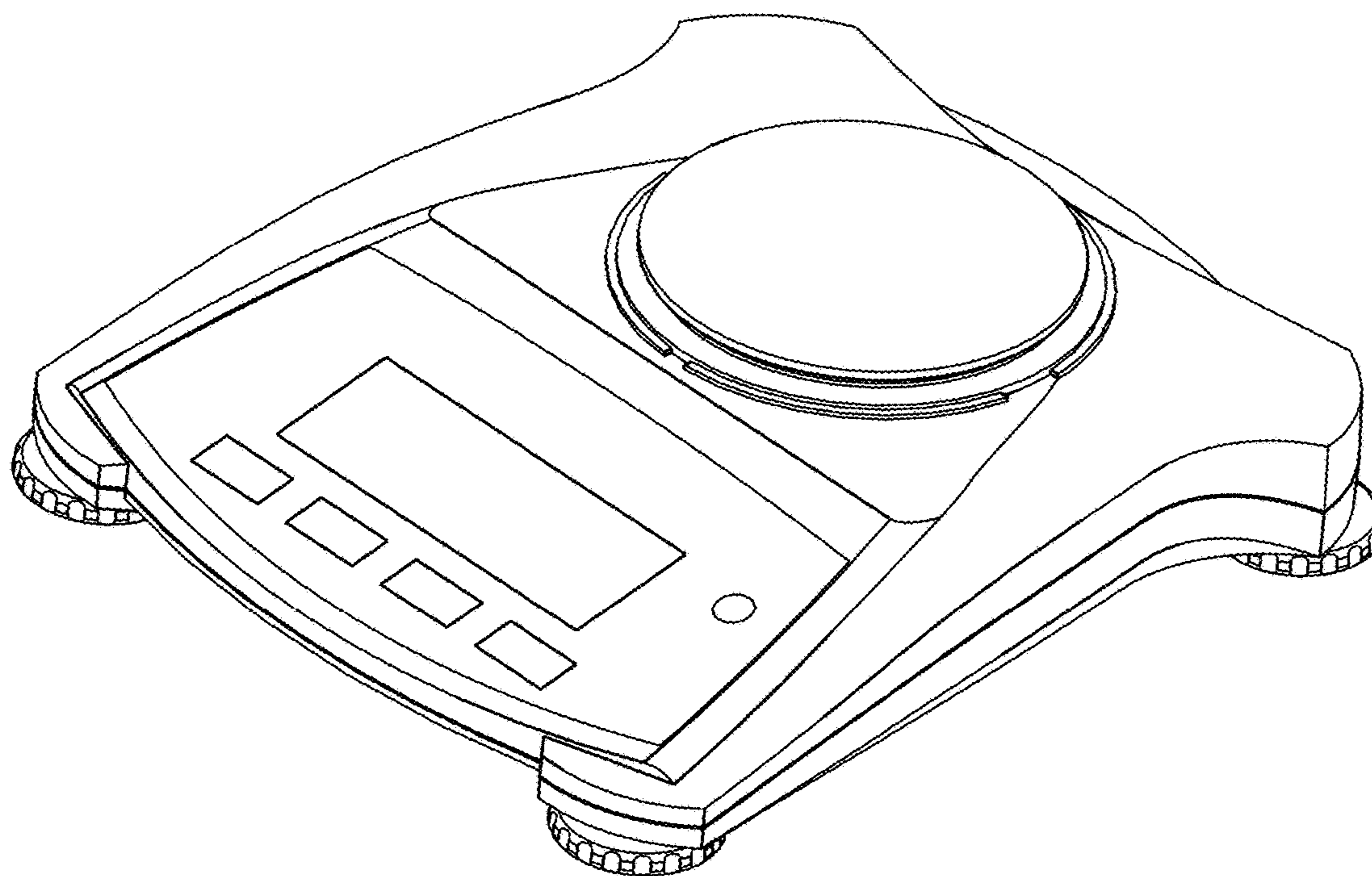


FIG. 22



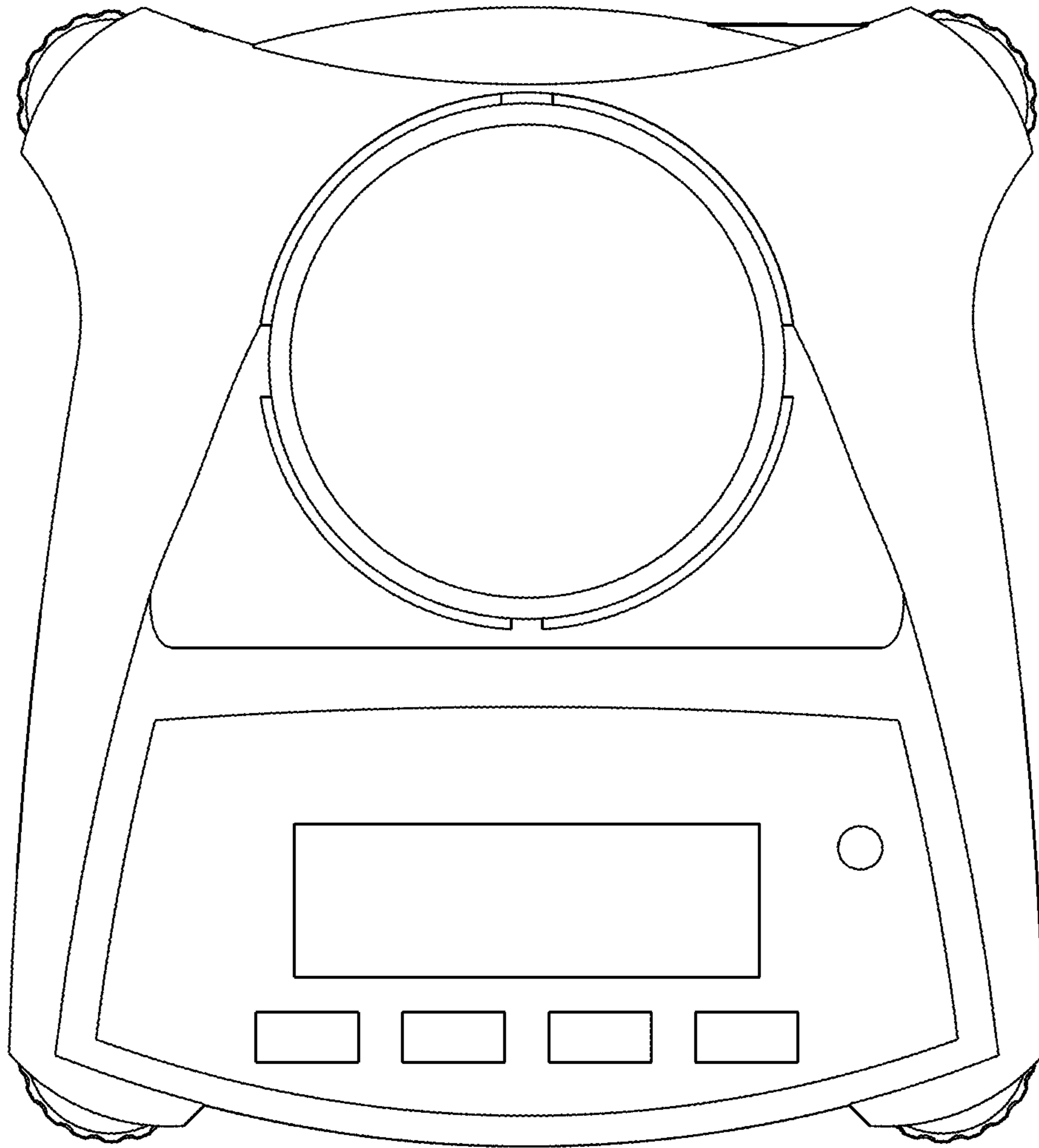


FIG. 23

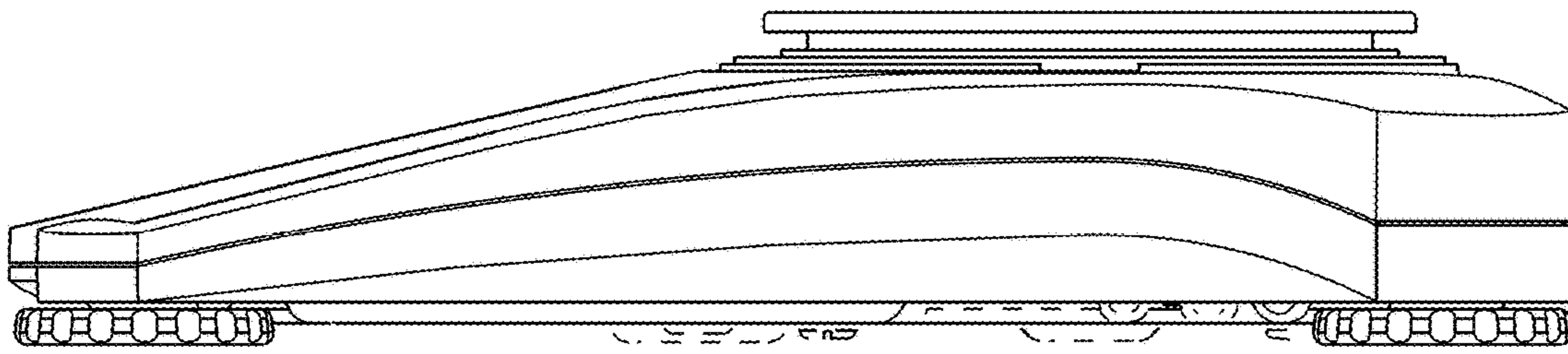


FIG. 24

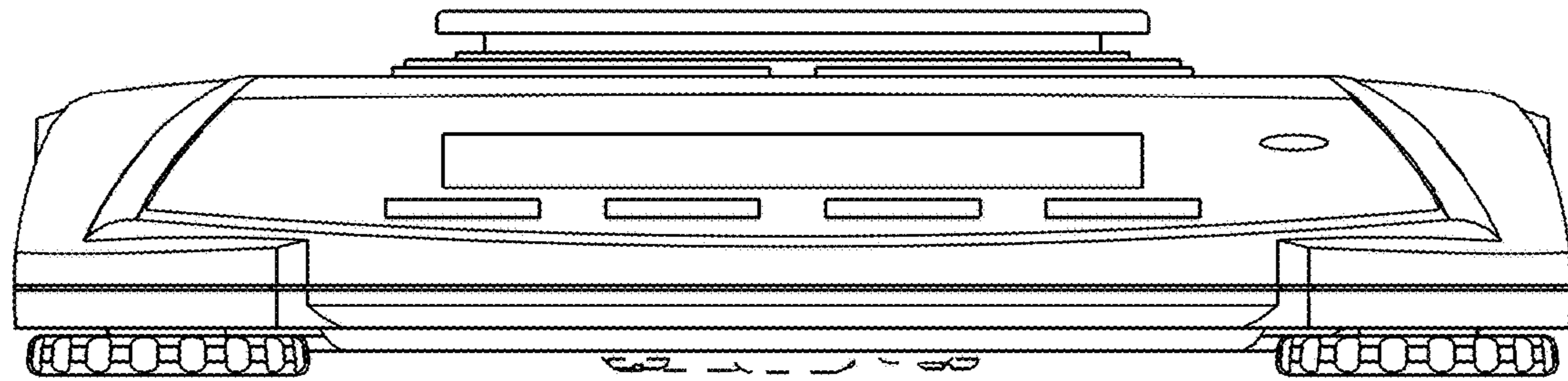


FIG. 25

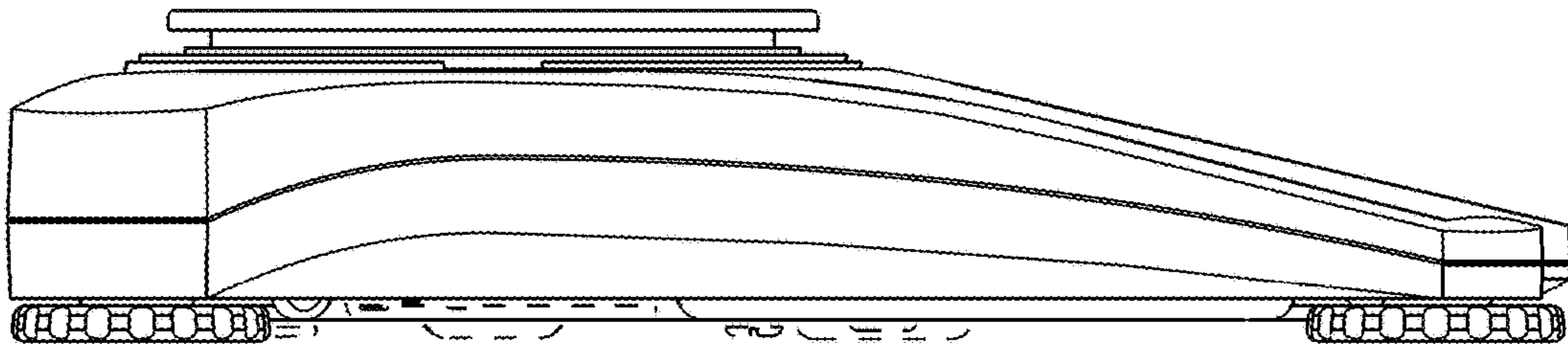


FIG. 26

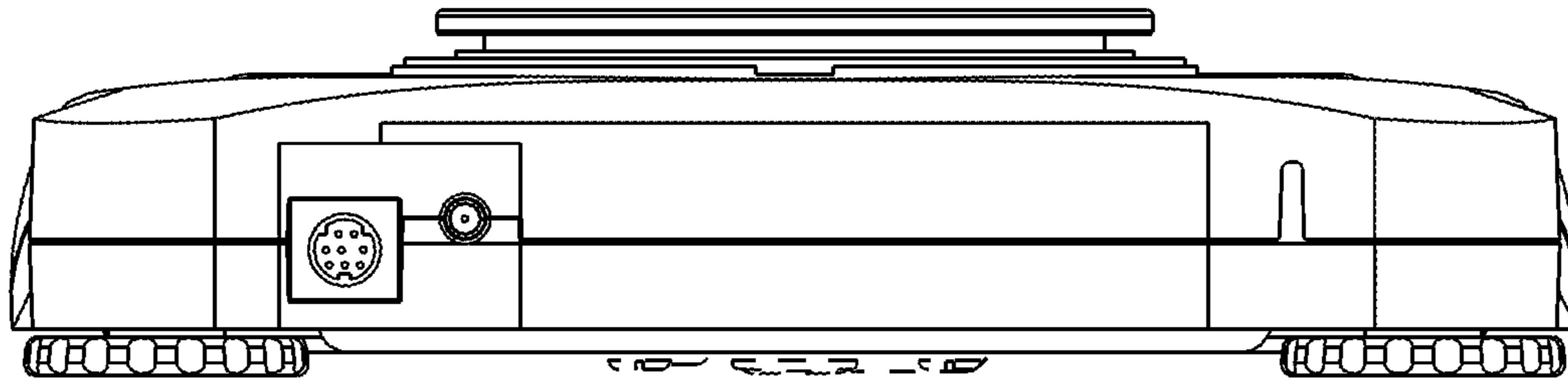


FIG. 27

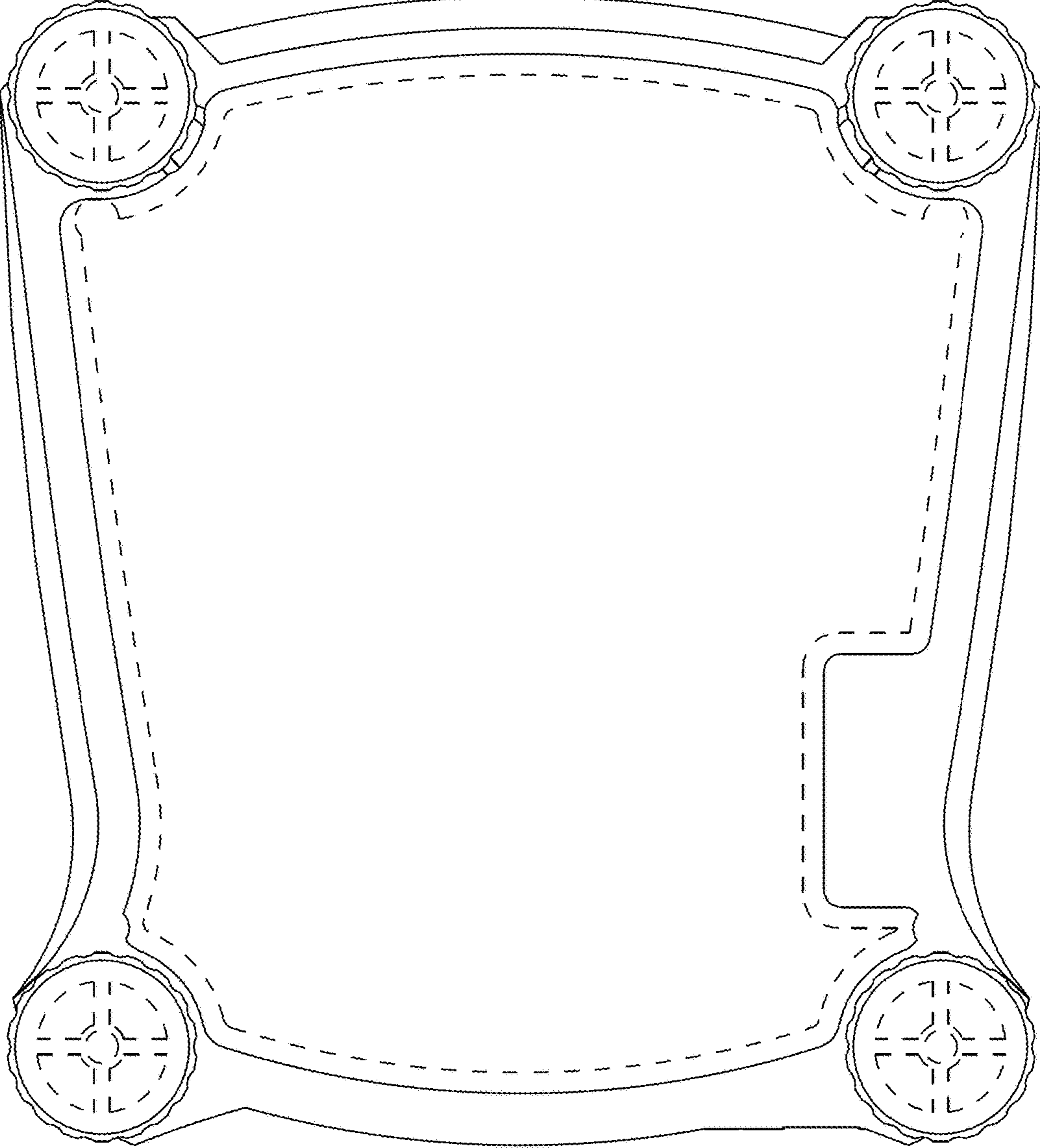


FIG. 28

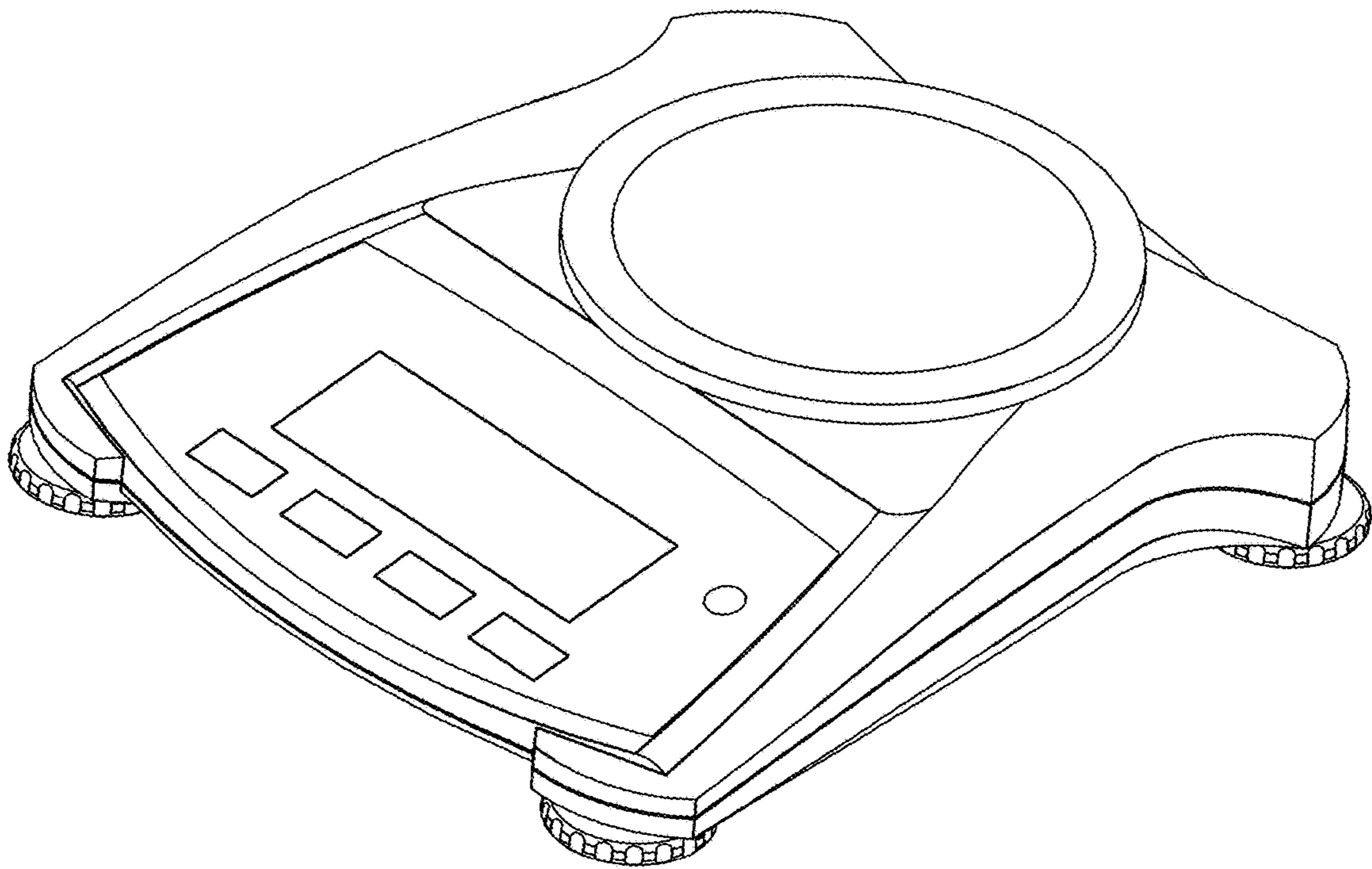


FIG. 29

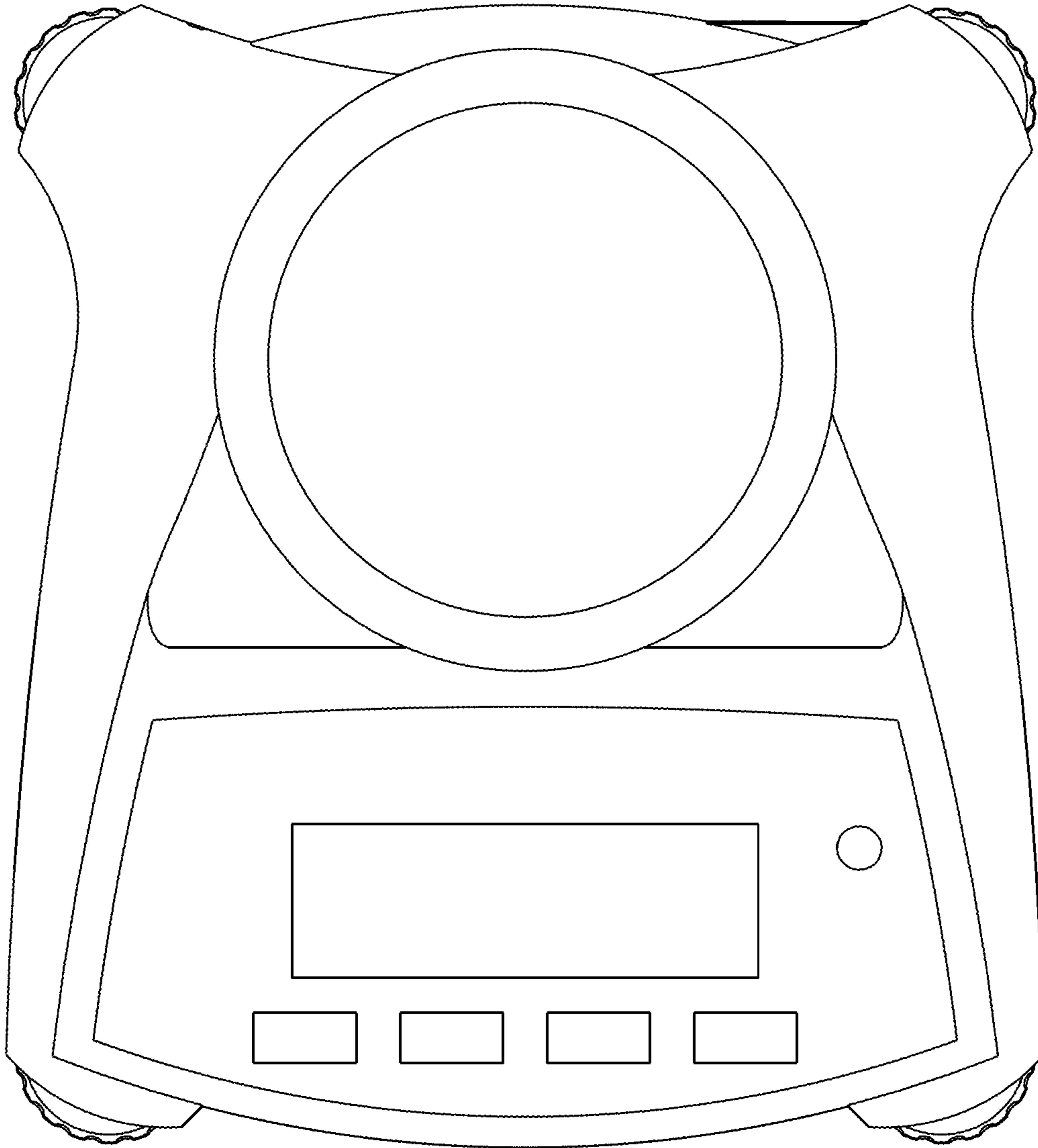


FIG. 30



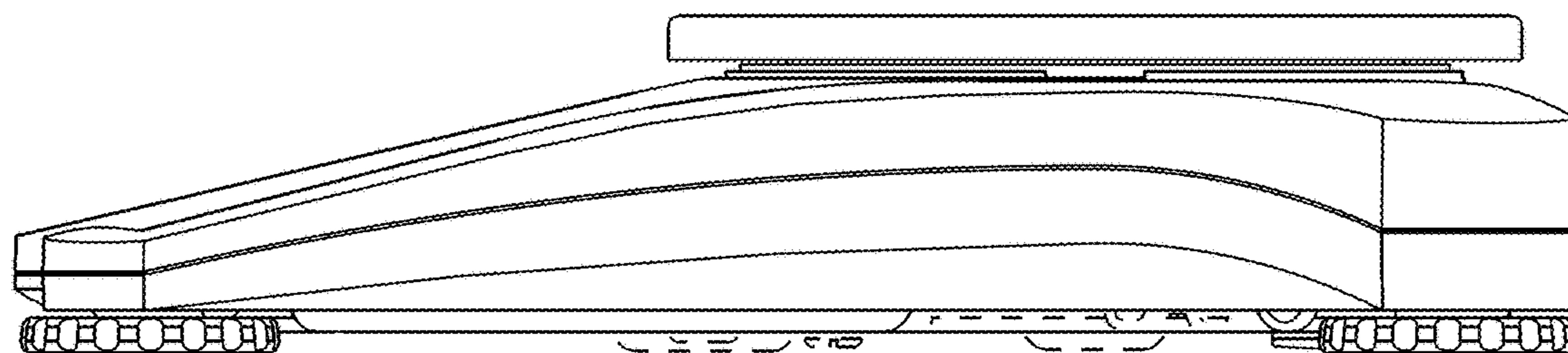


FIG. 31

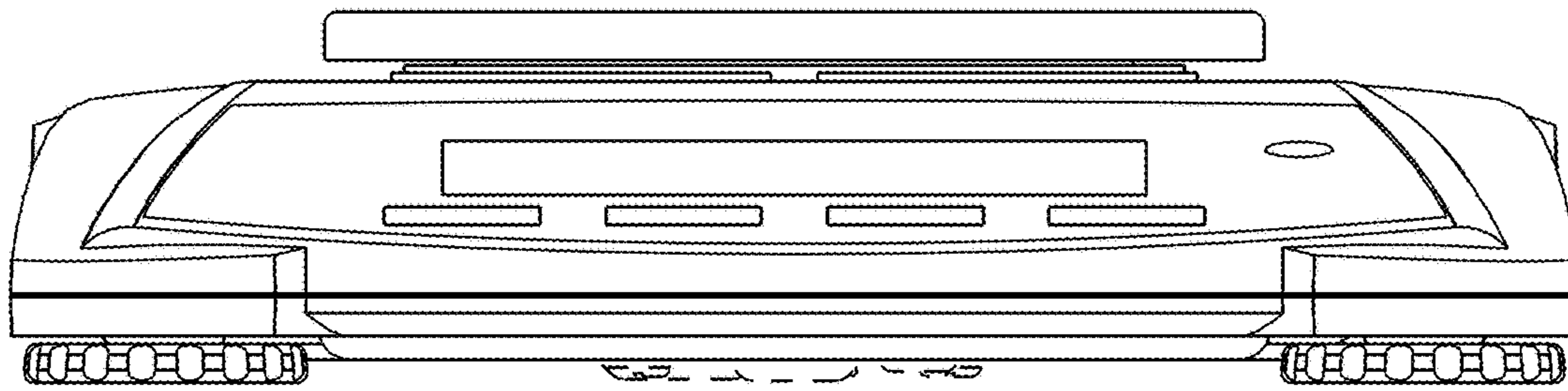


FIG. 32

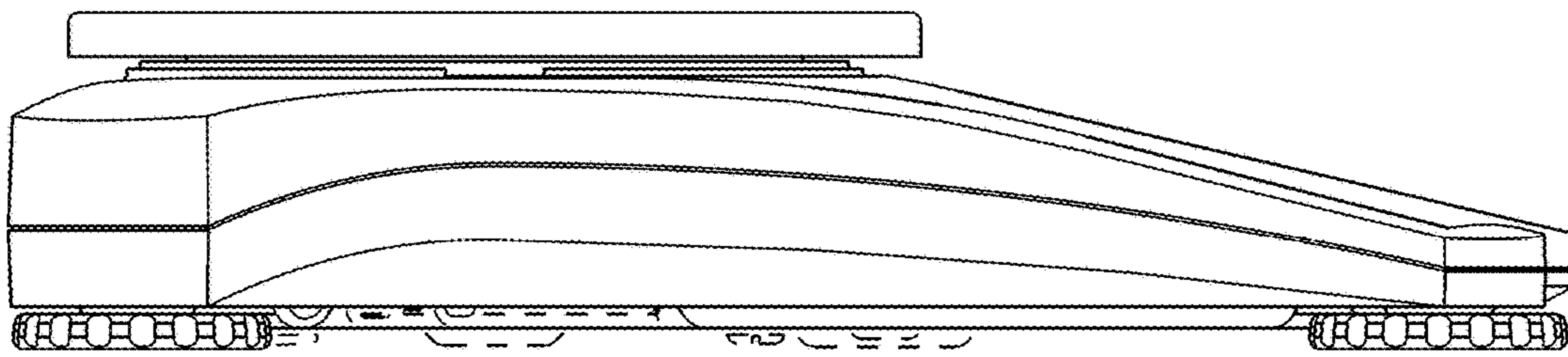


FIG. 33

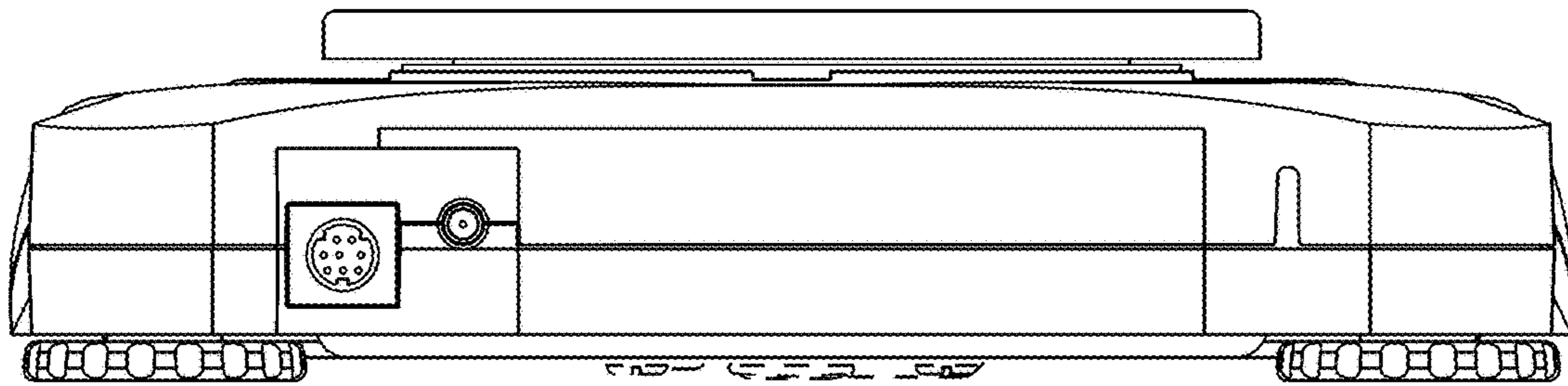


FIG. 34

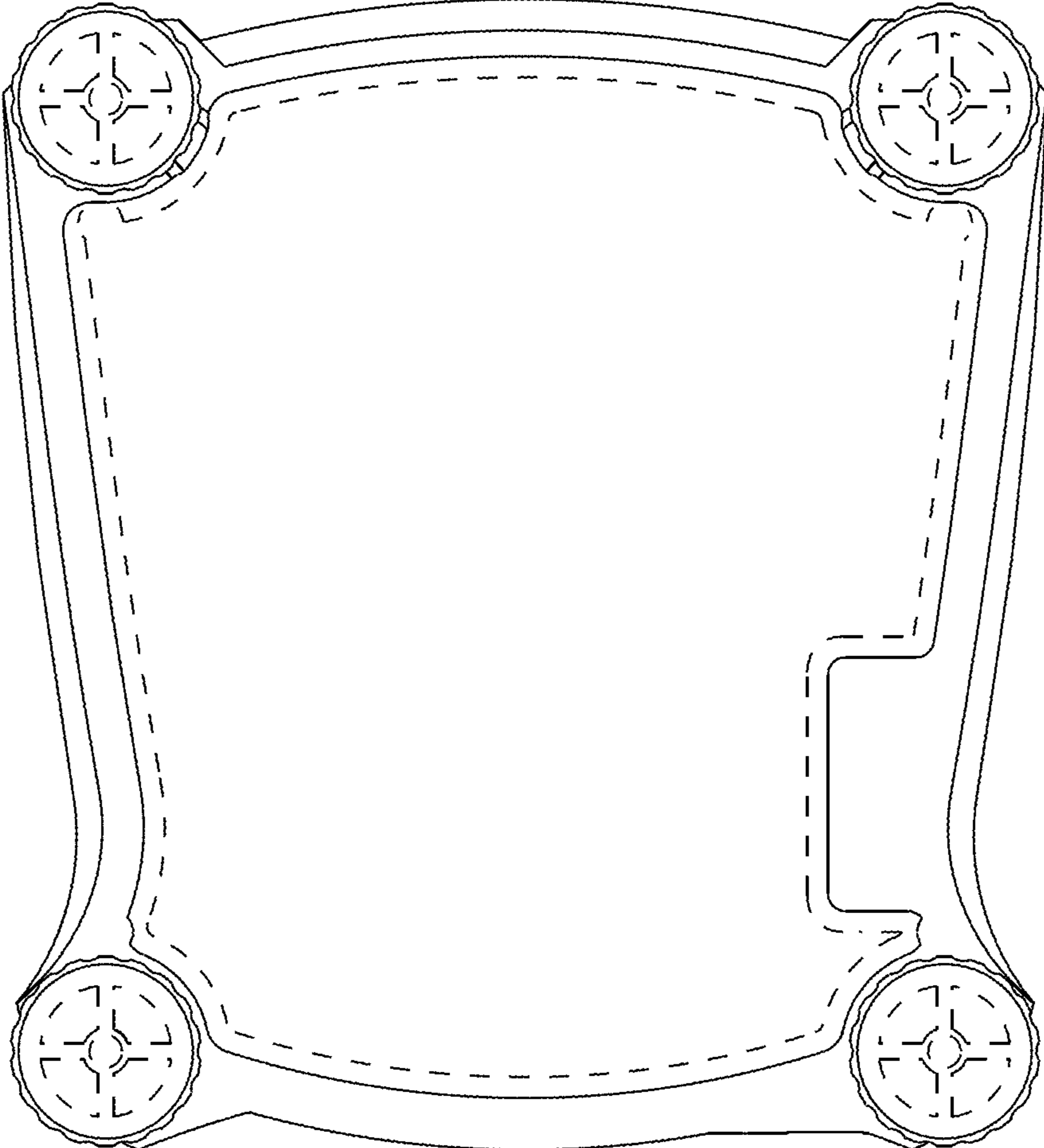


FIG. 35

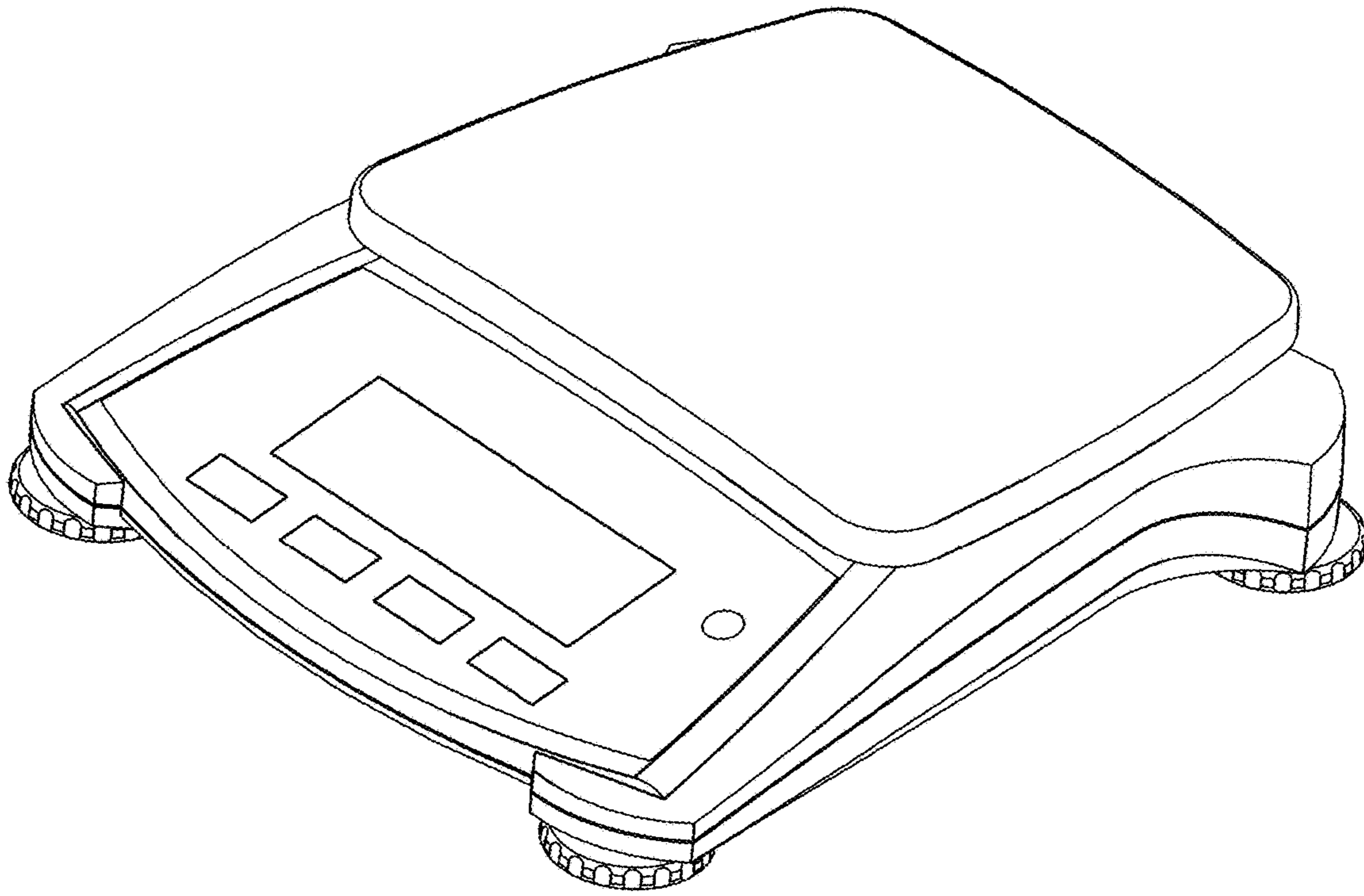


FIG. 36

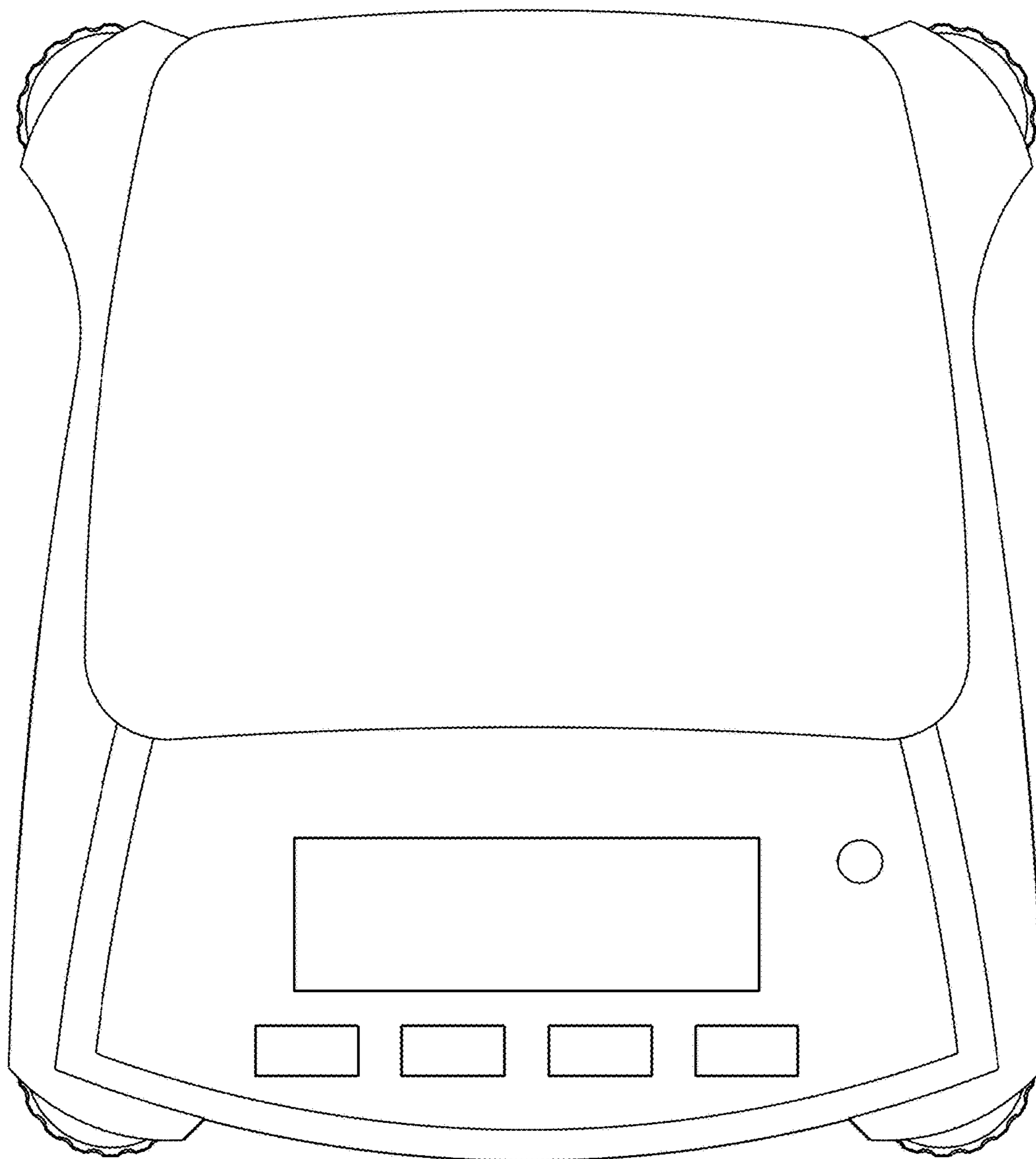


FIG. 37

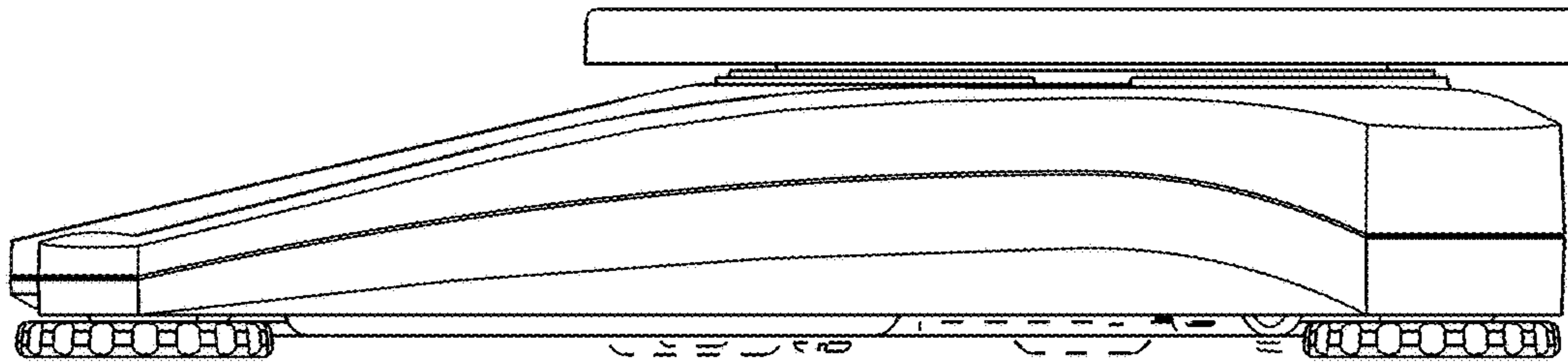


FIG. 38



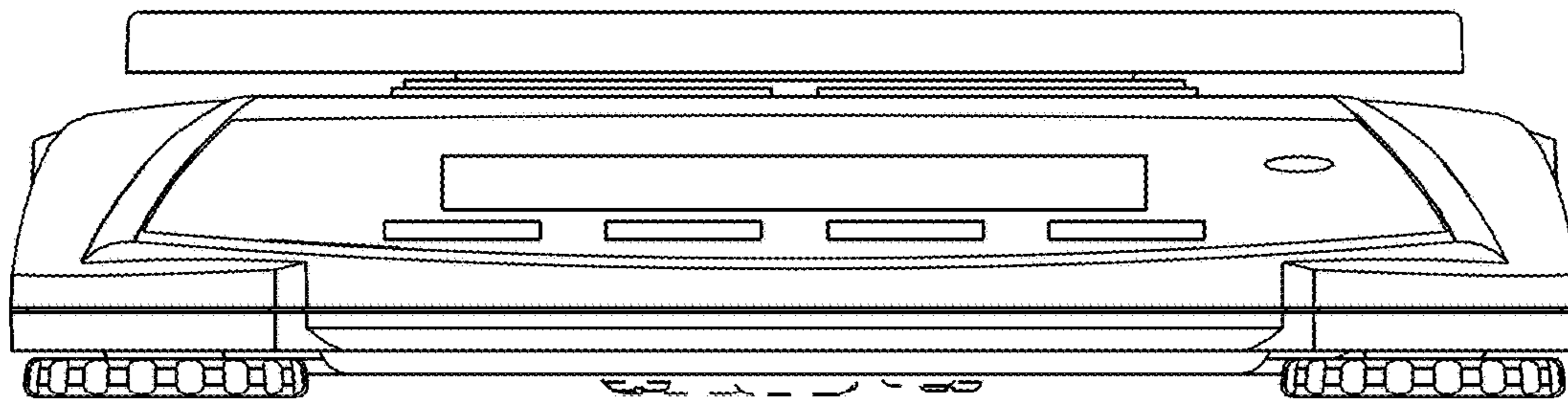


FIG. 39

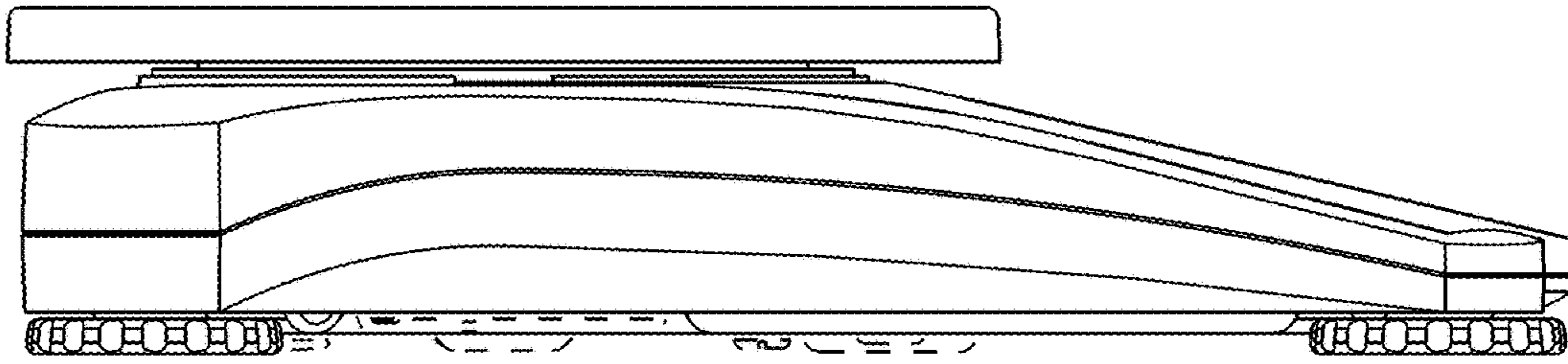


FIG. 40

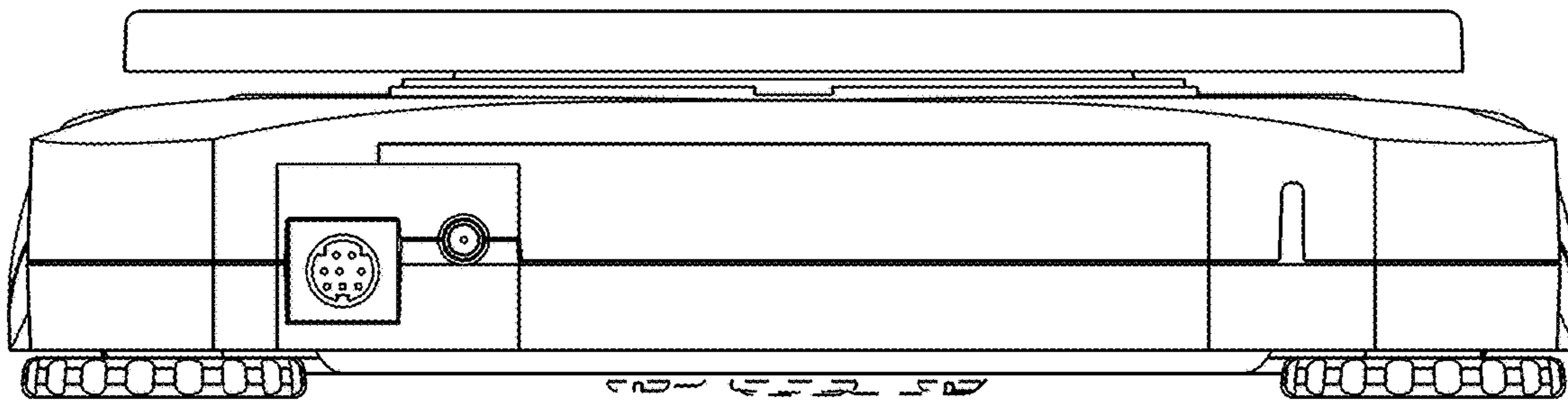


FIG. 41

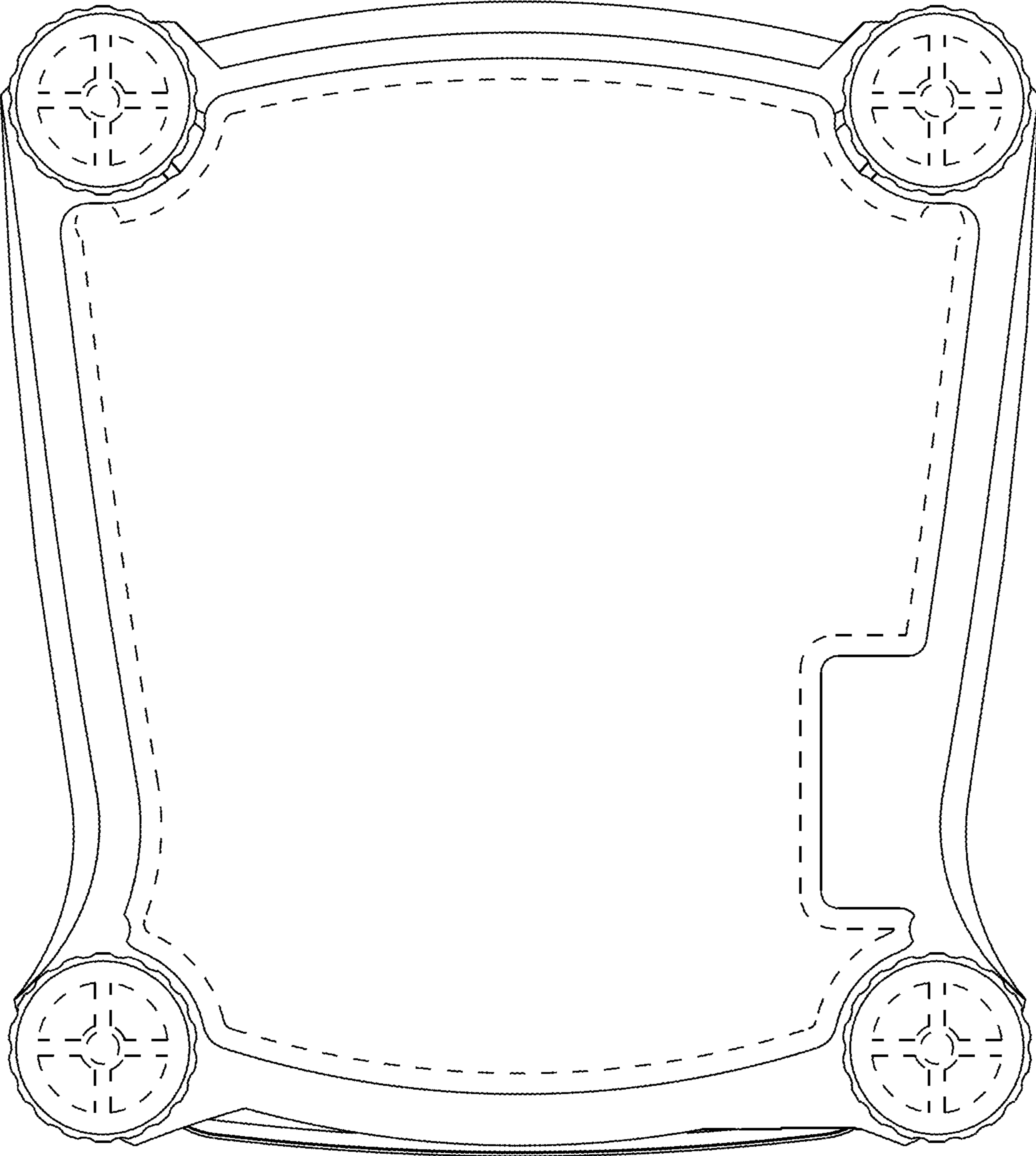


FIG. 42

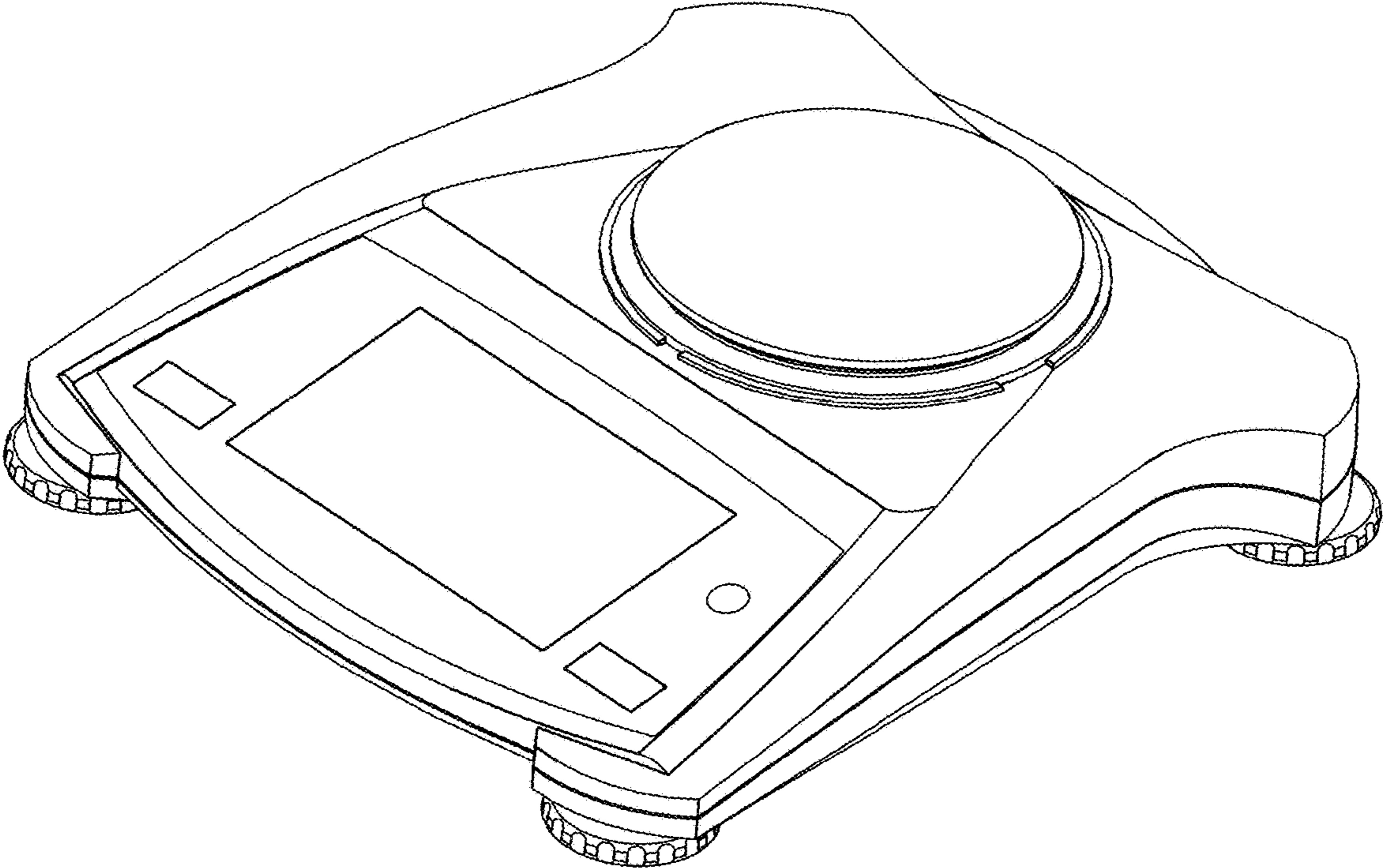


FIG. 43

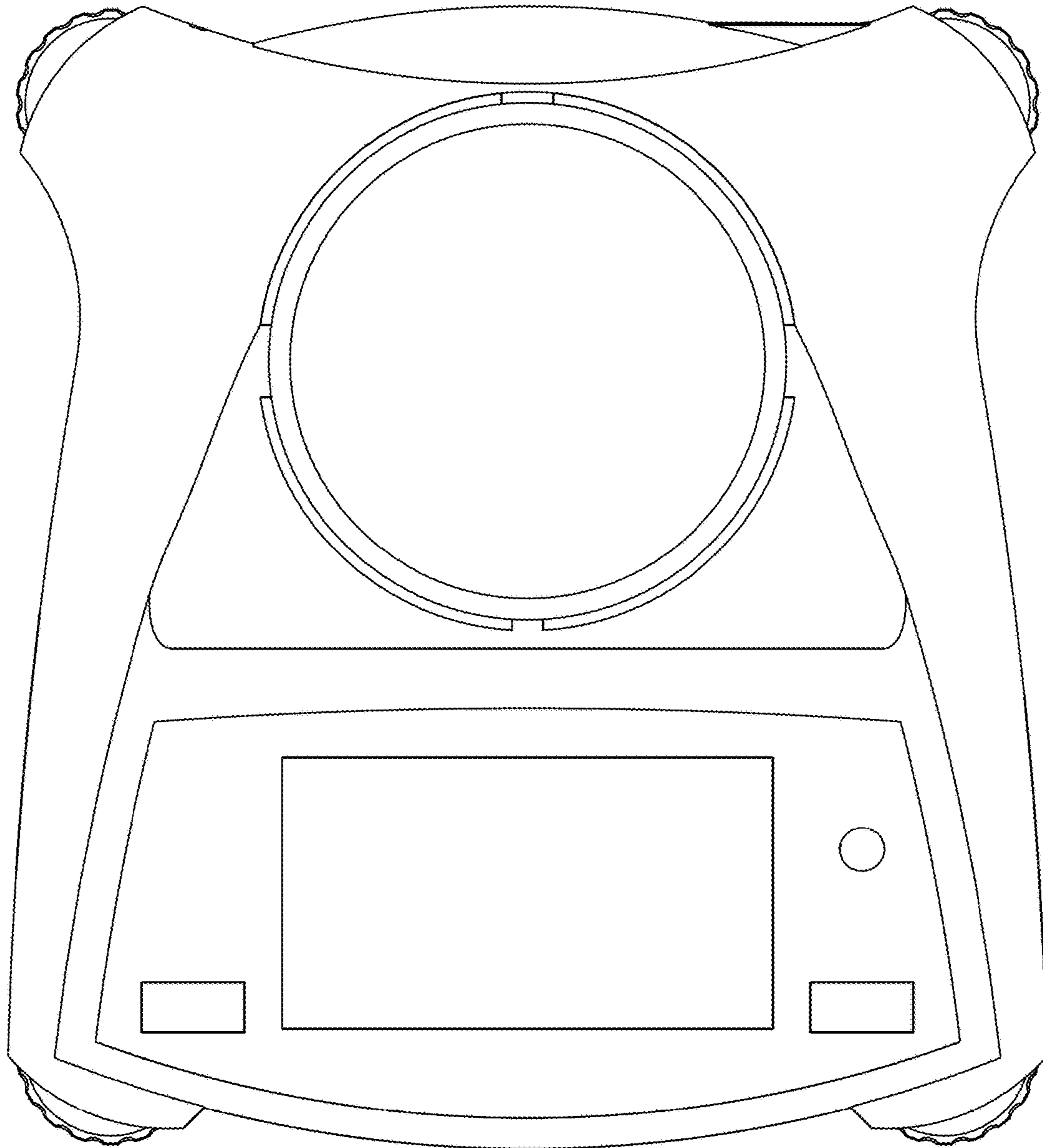


FIG. 44

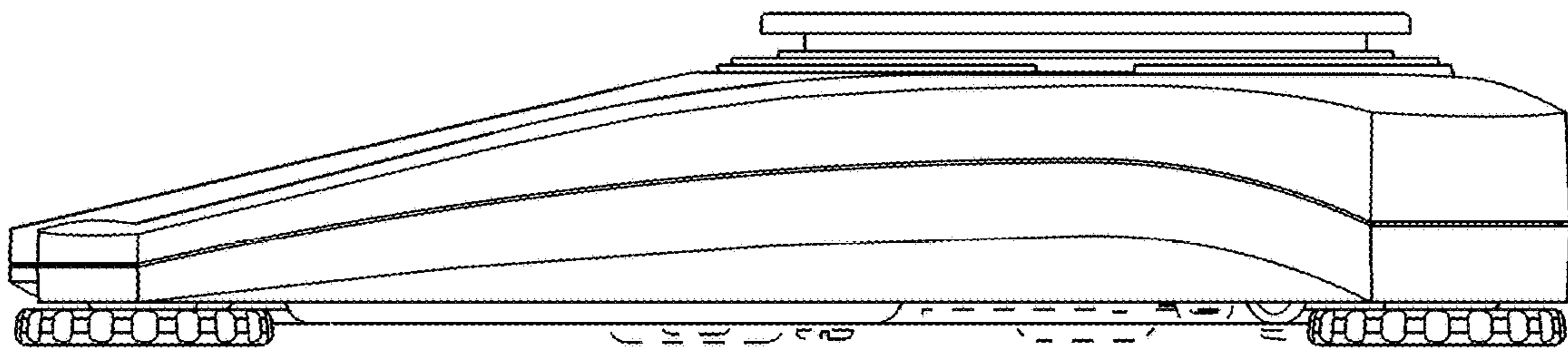


FIG. 45

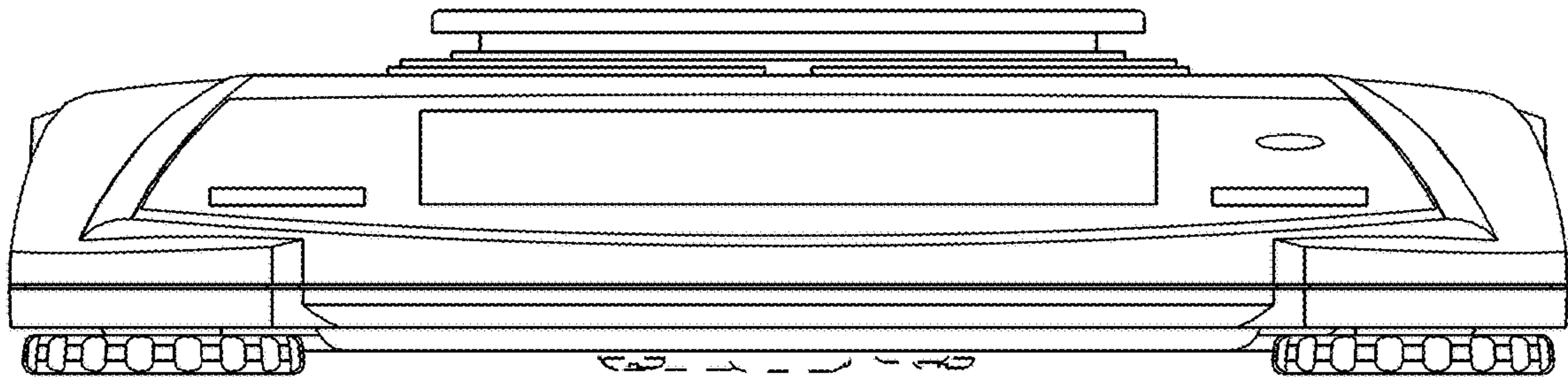


FIG. 46



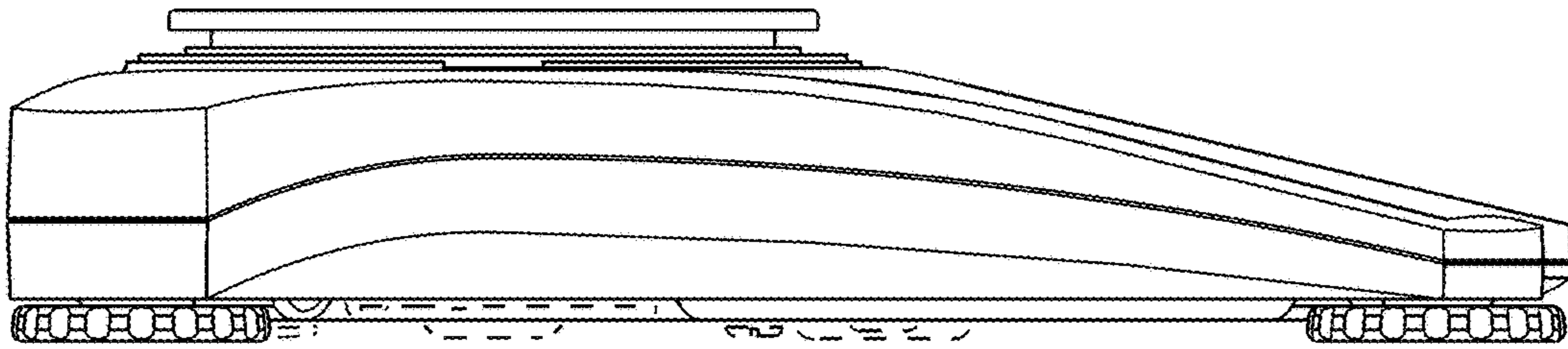


FIG. 47

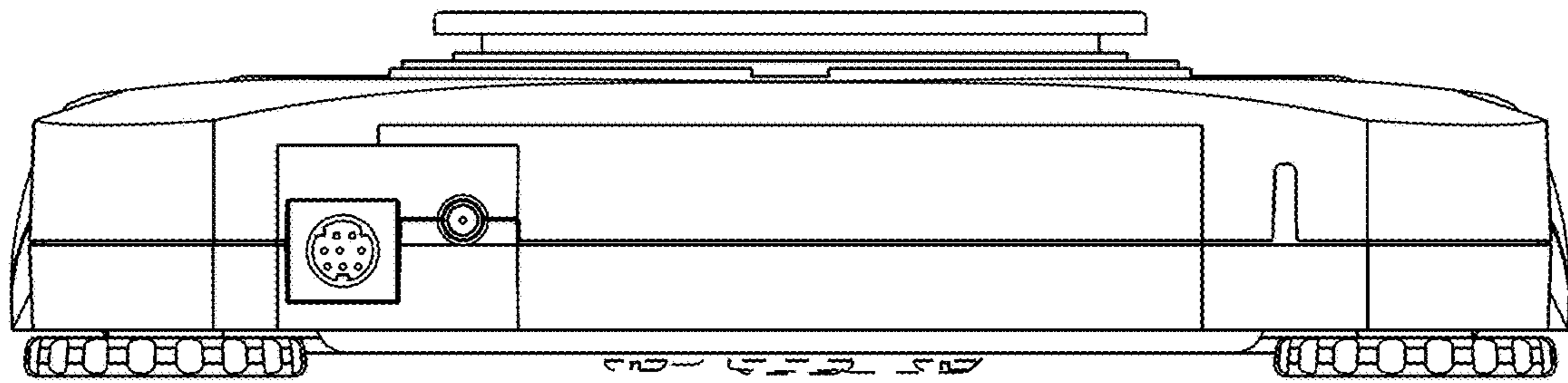


FIG. 48

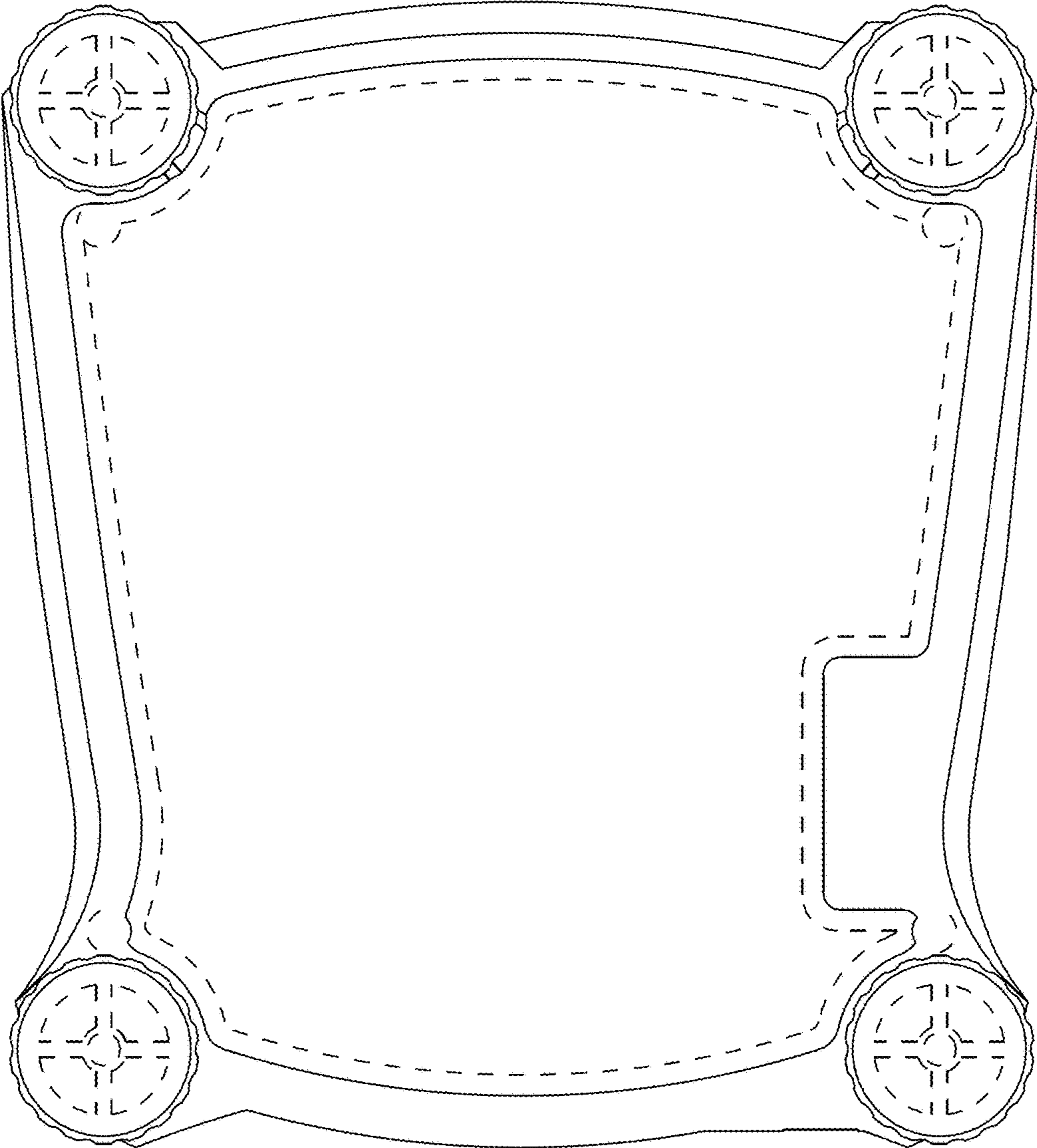


FIG. 49

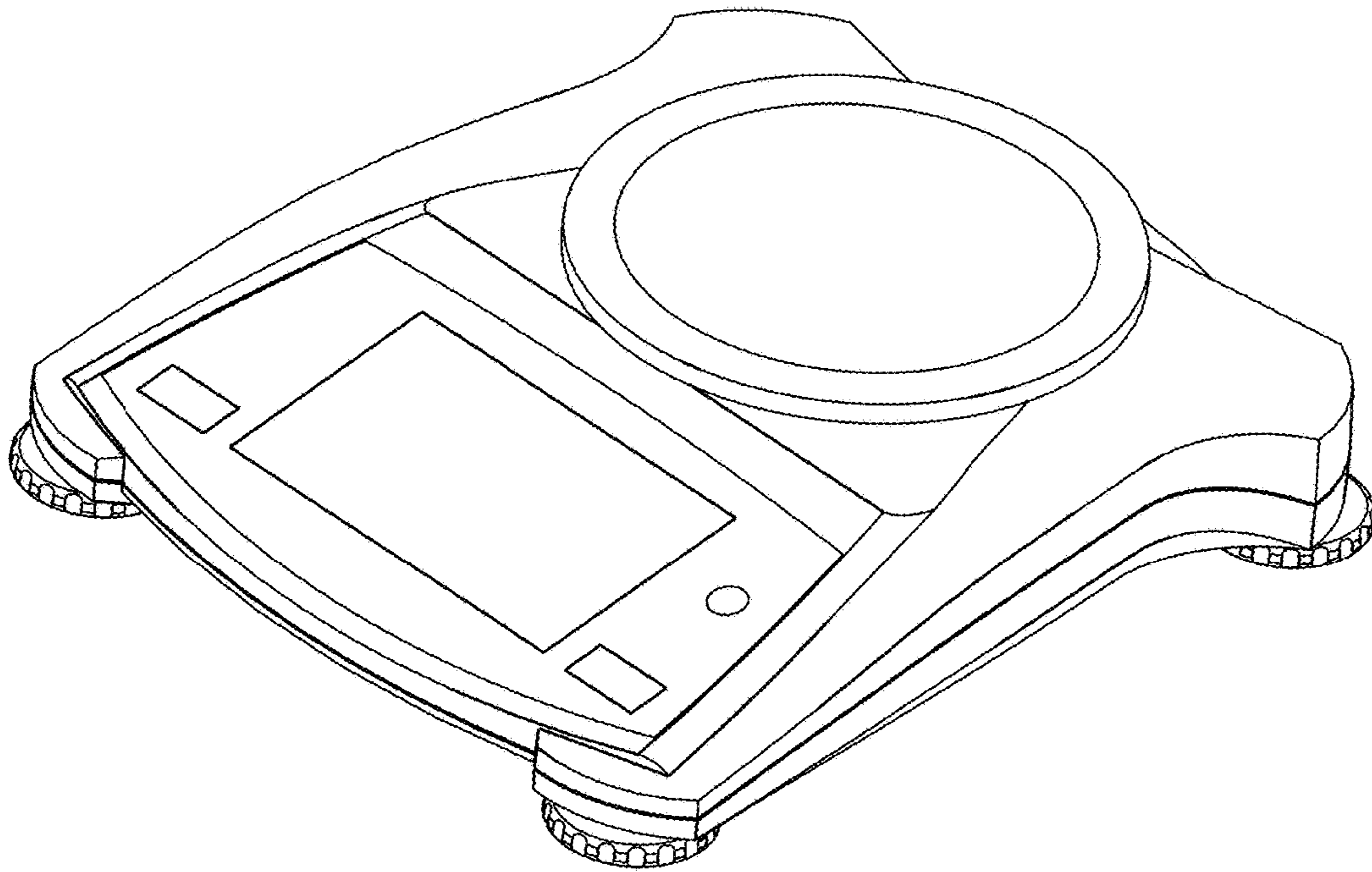


FIG. 50

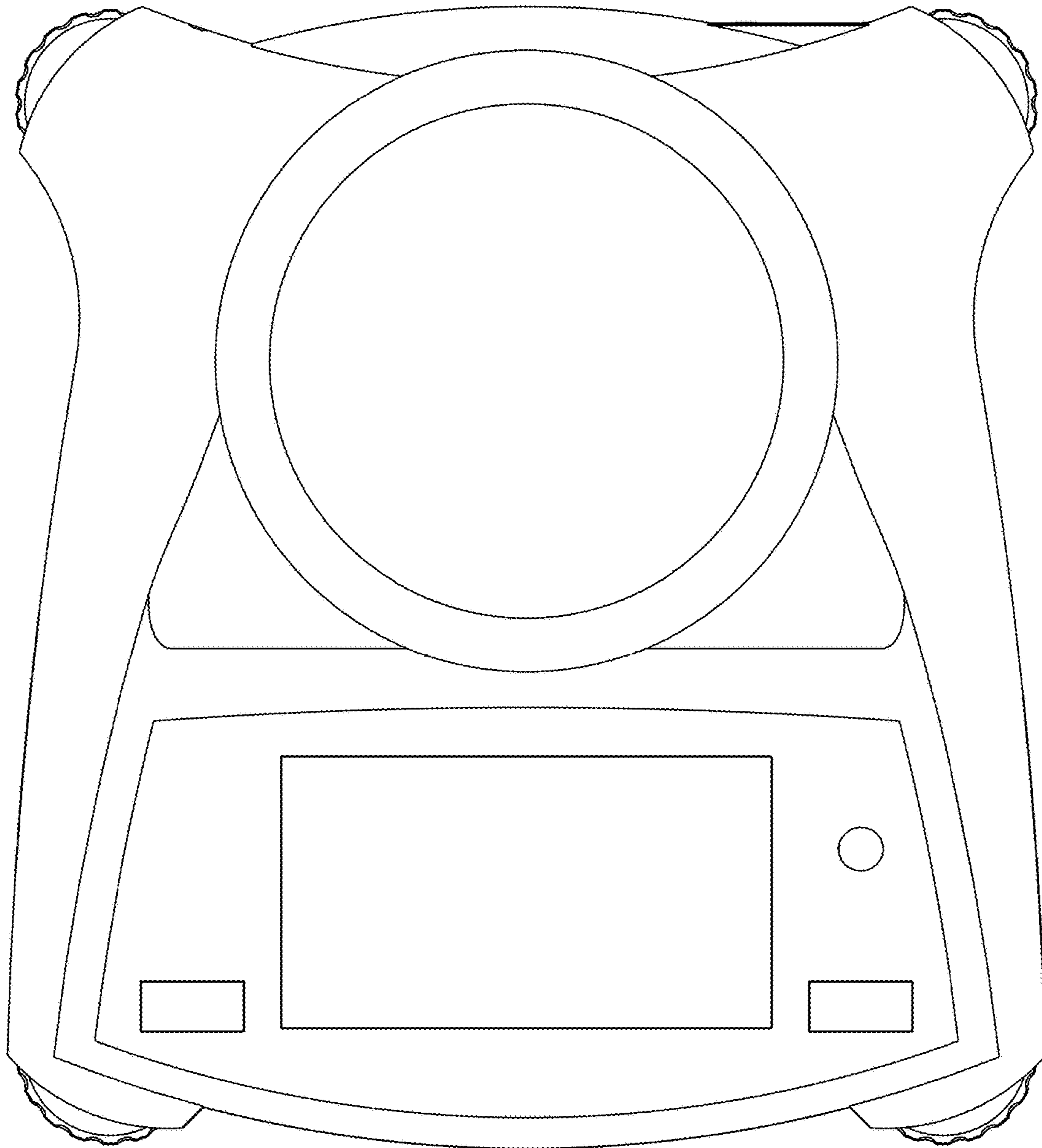


FIG. 51

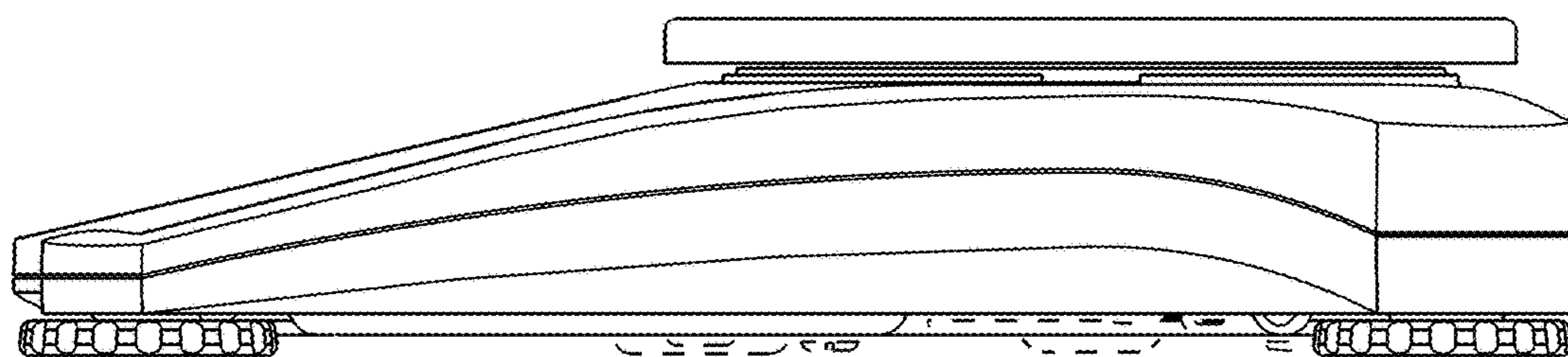


FIG. 52

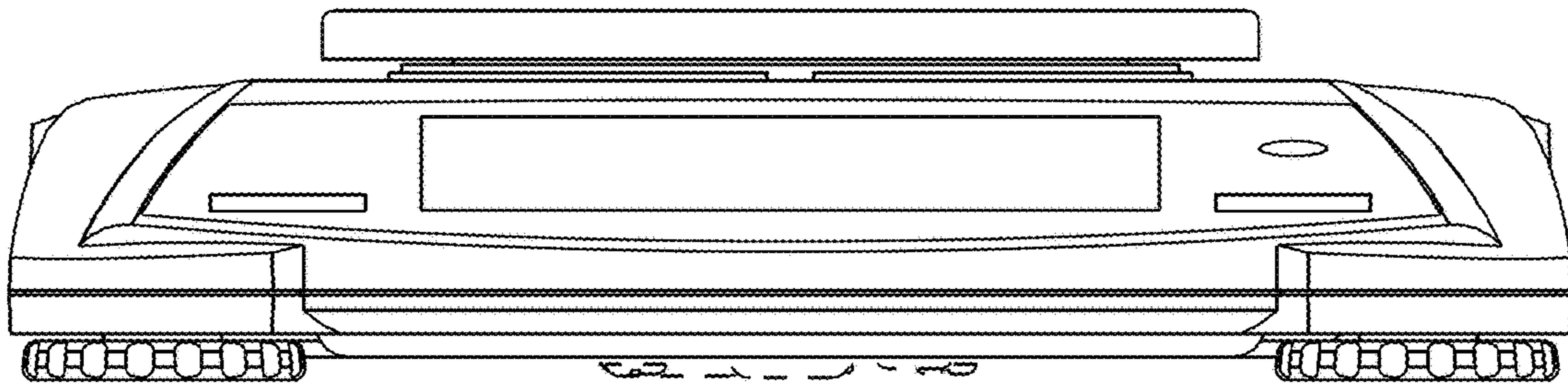


FIG. 53

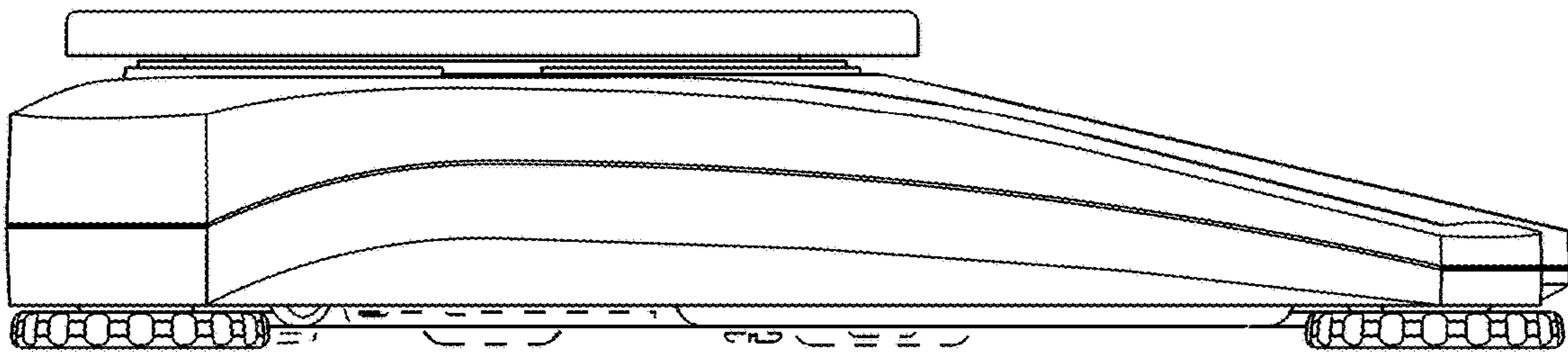


FIG. 54



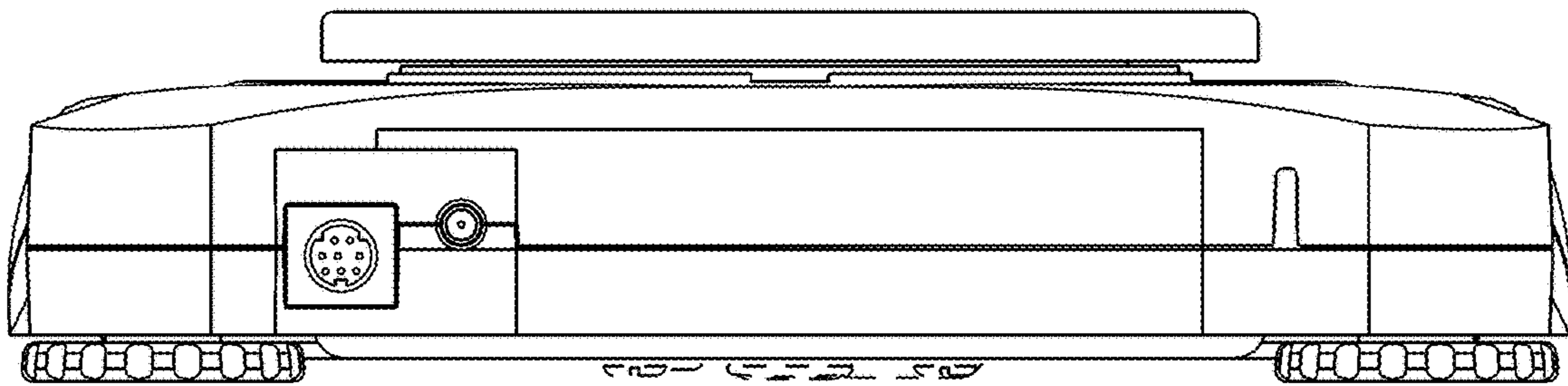


FIG. 55

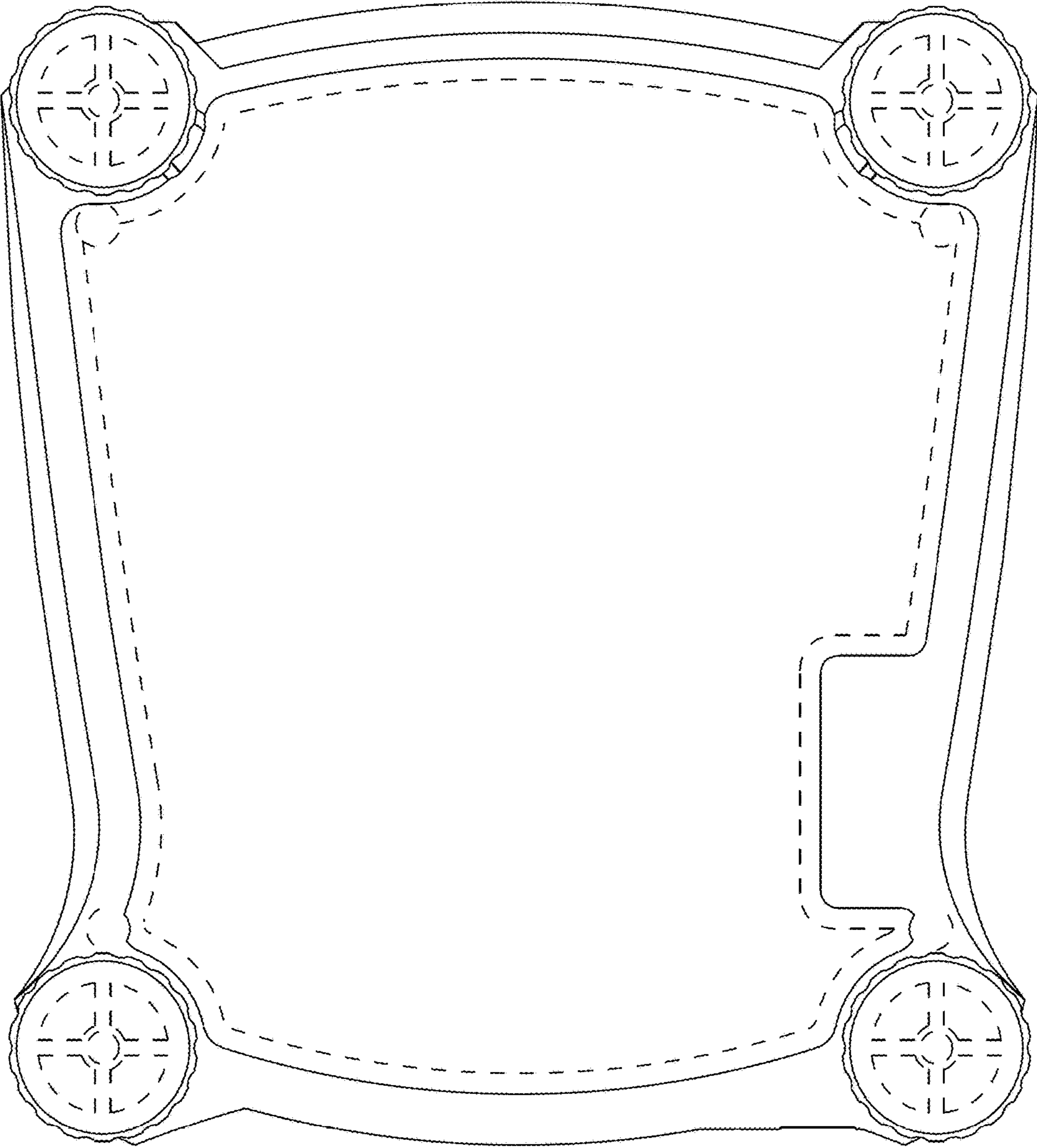


FIG. 56

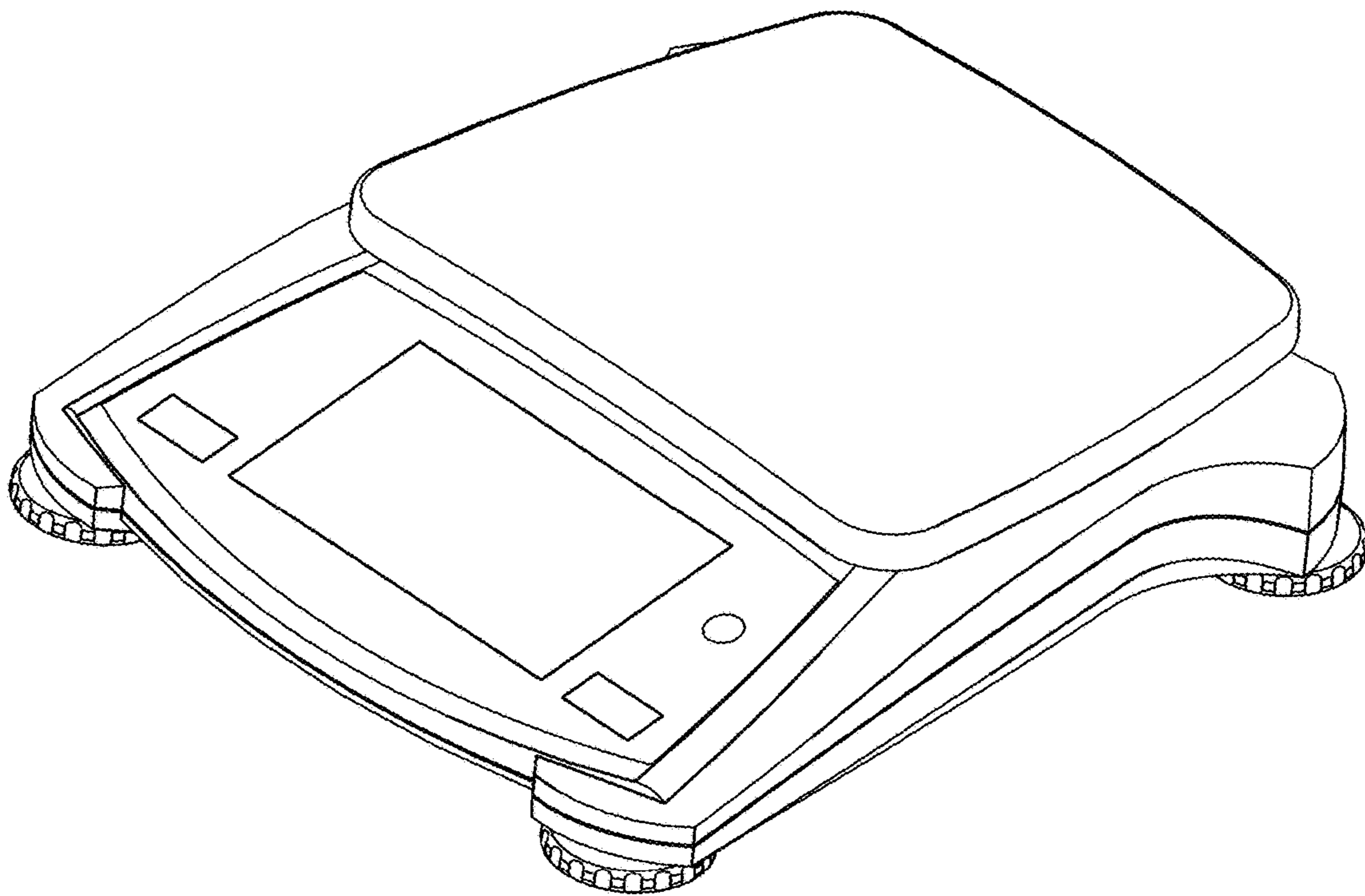


FIG. 57

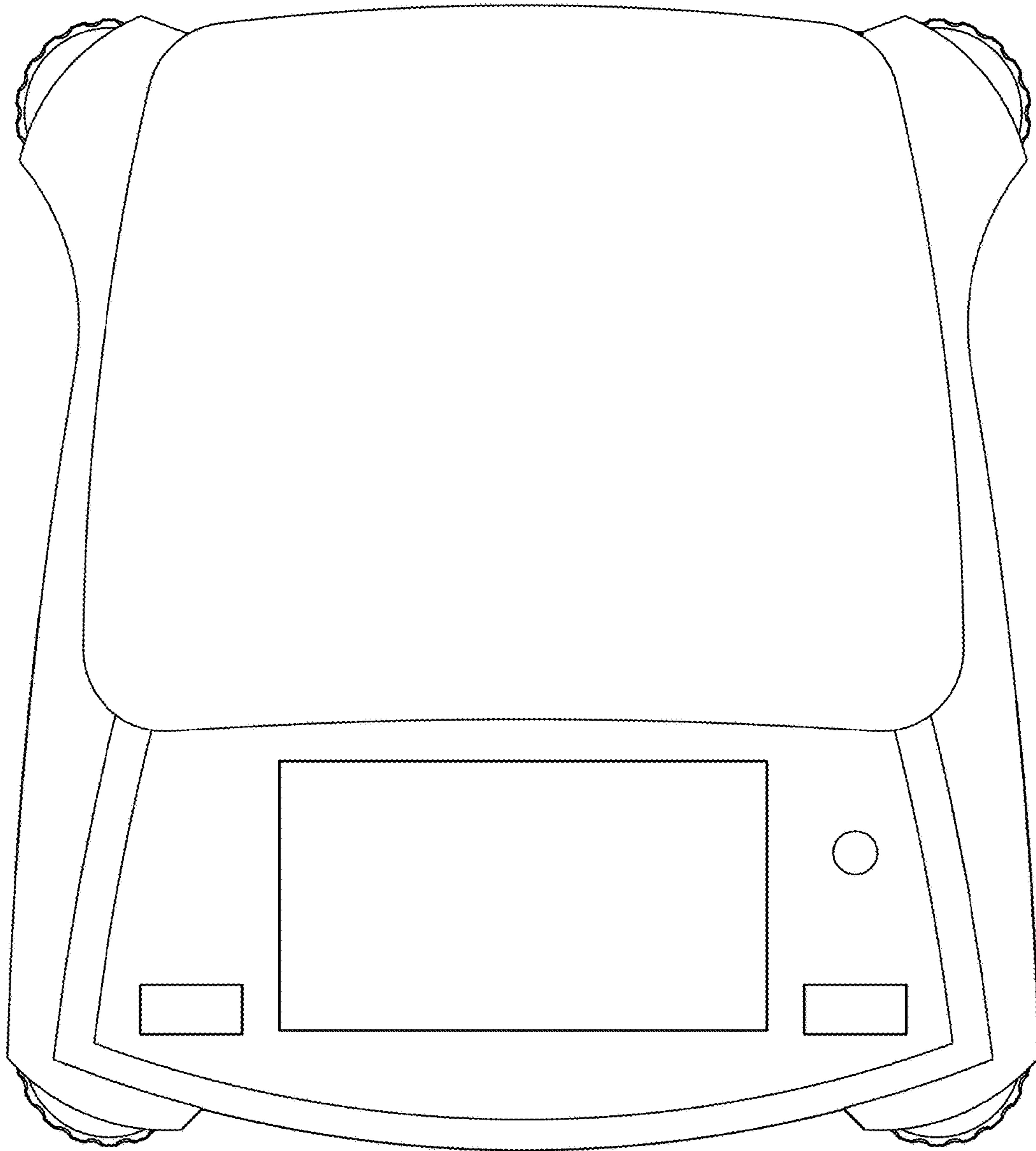


FIG. 58

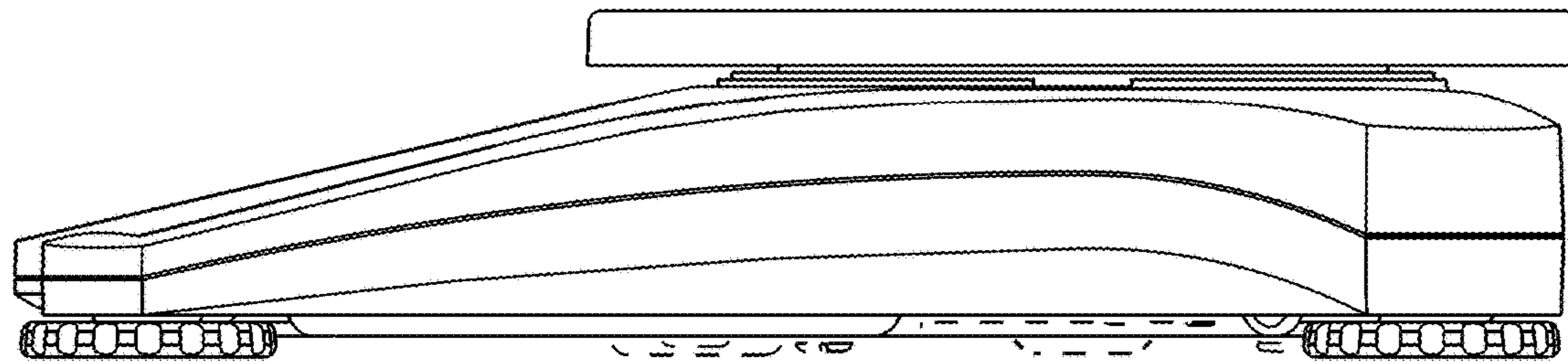


FIG. 59

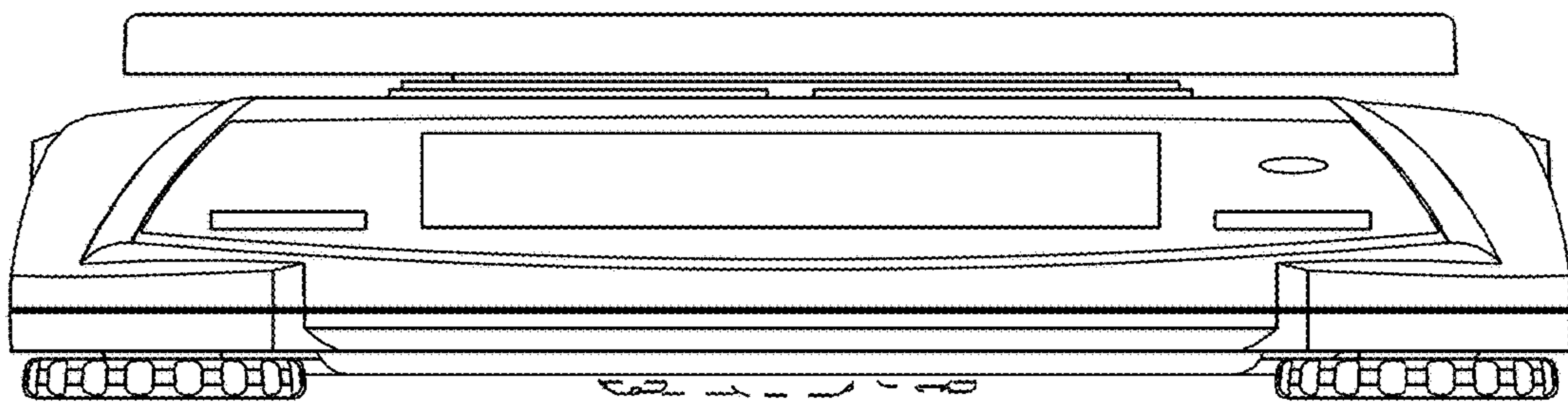


FIG. 60

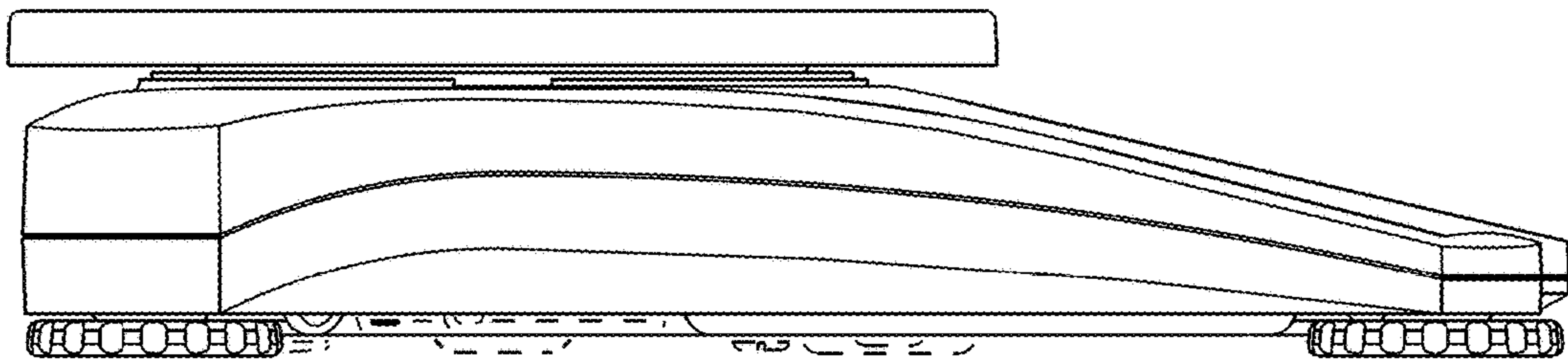


FIG. 61

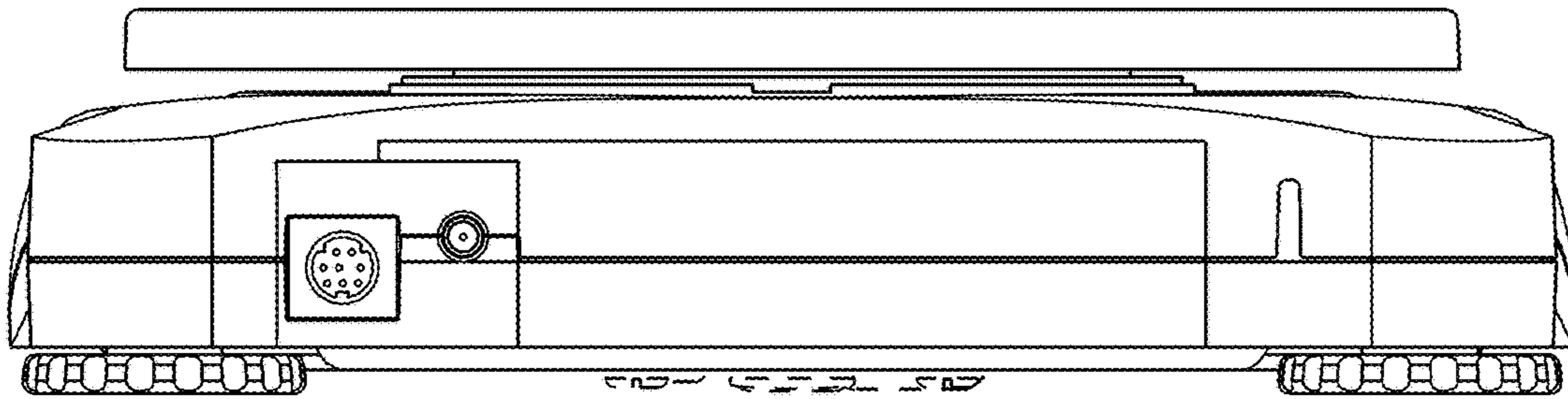


FIG. 62



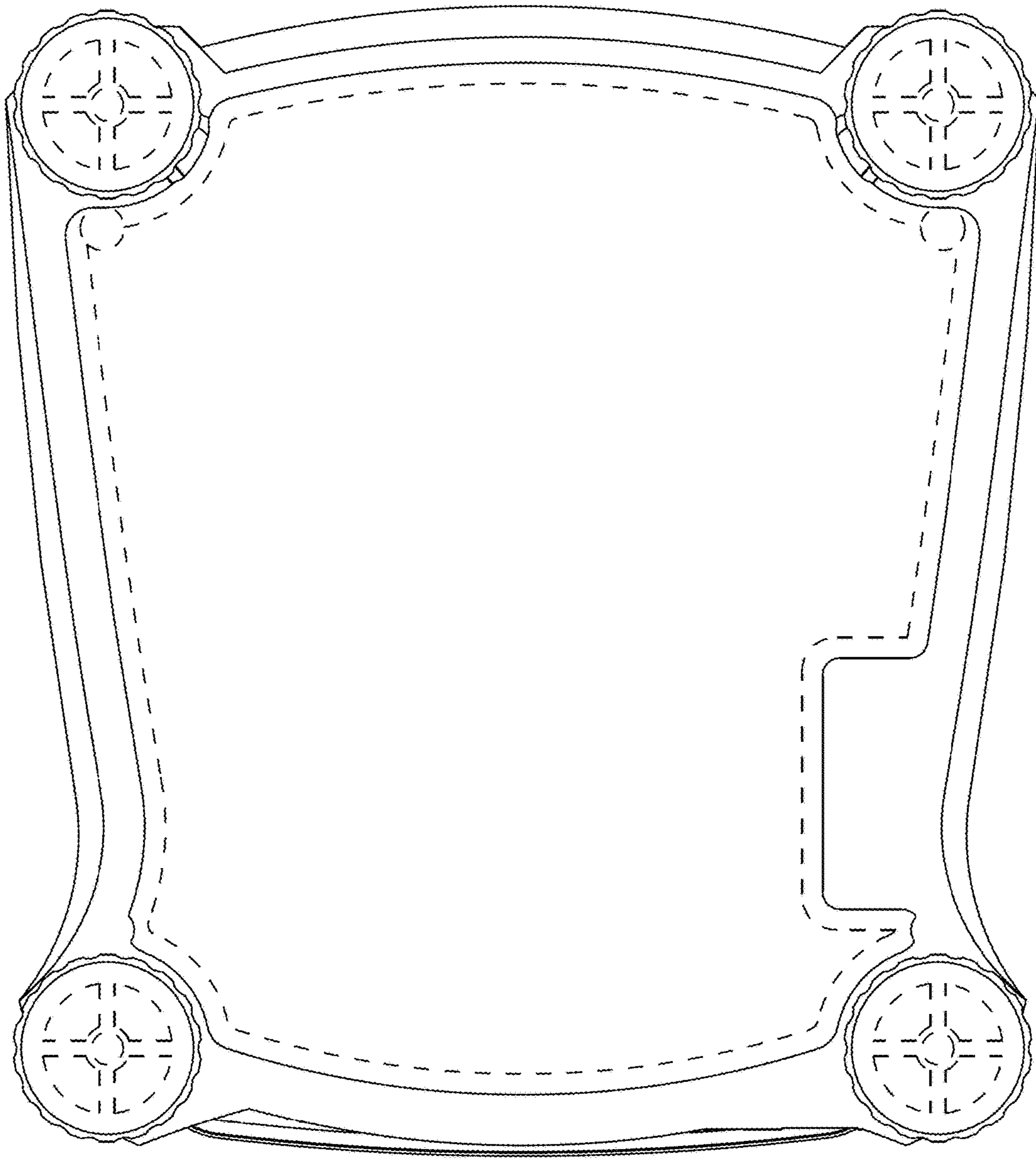


FIG. 63

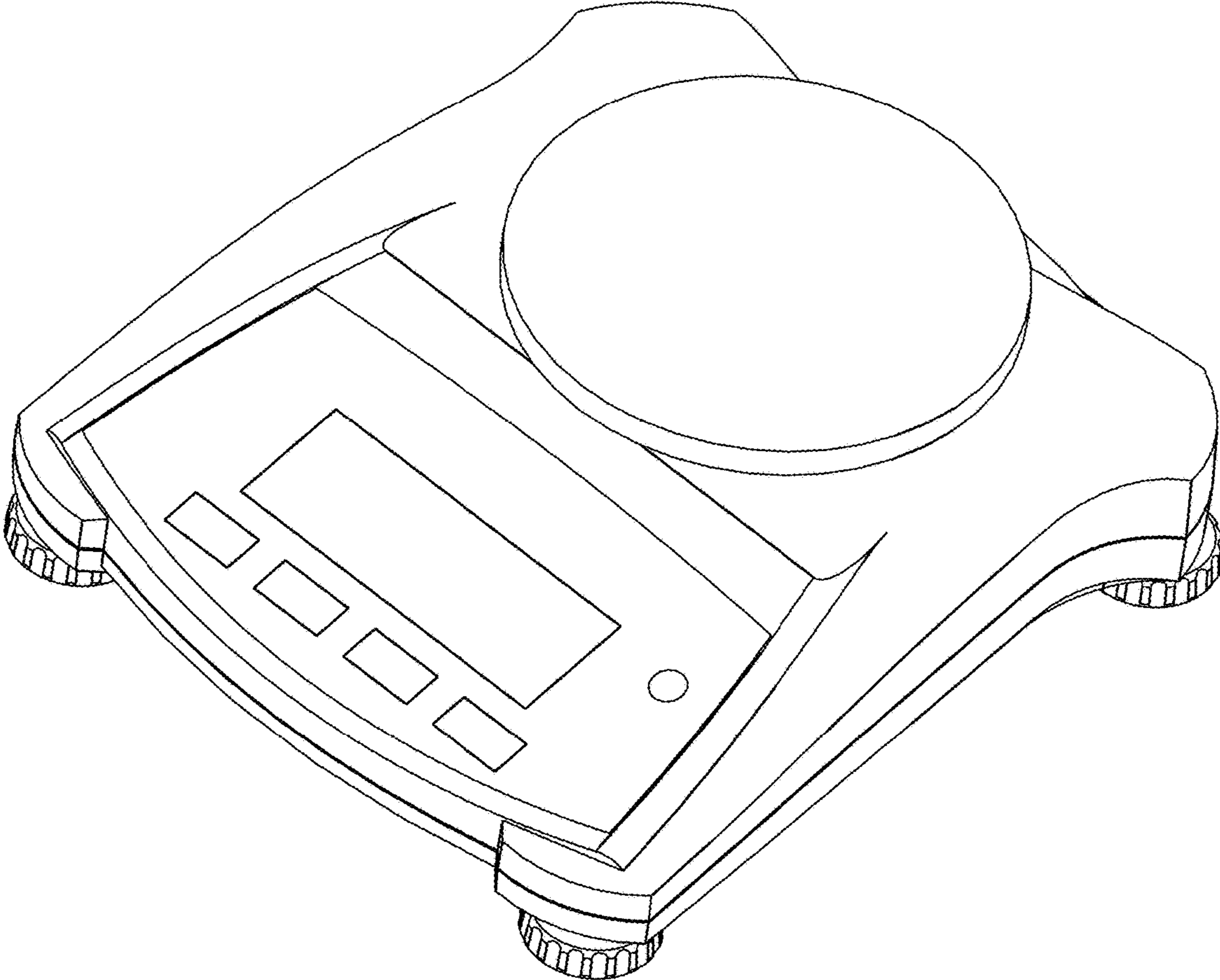


FIG. 64

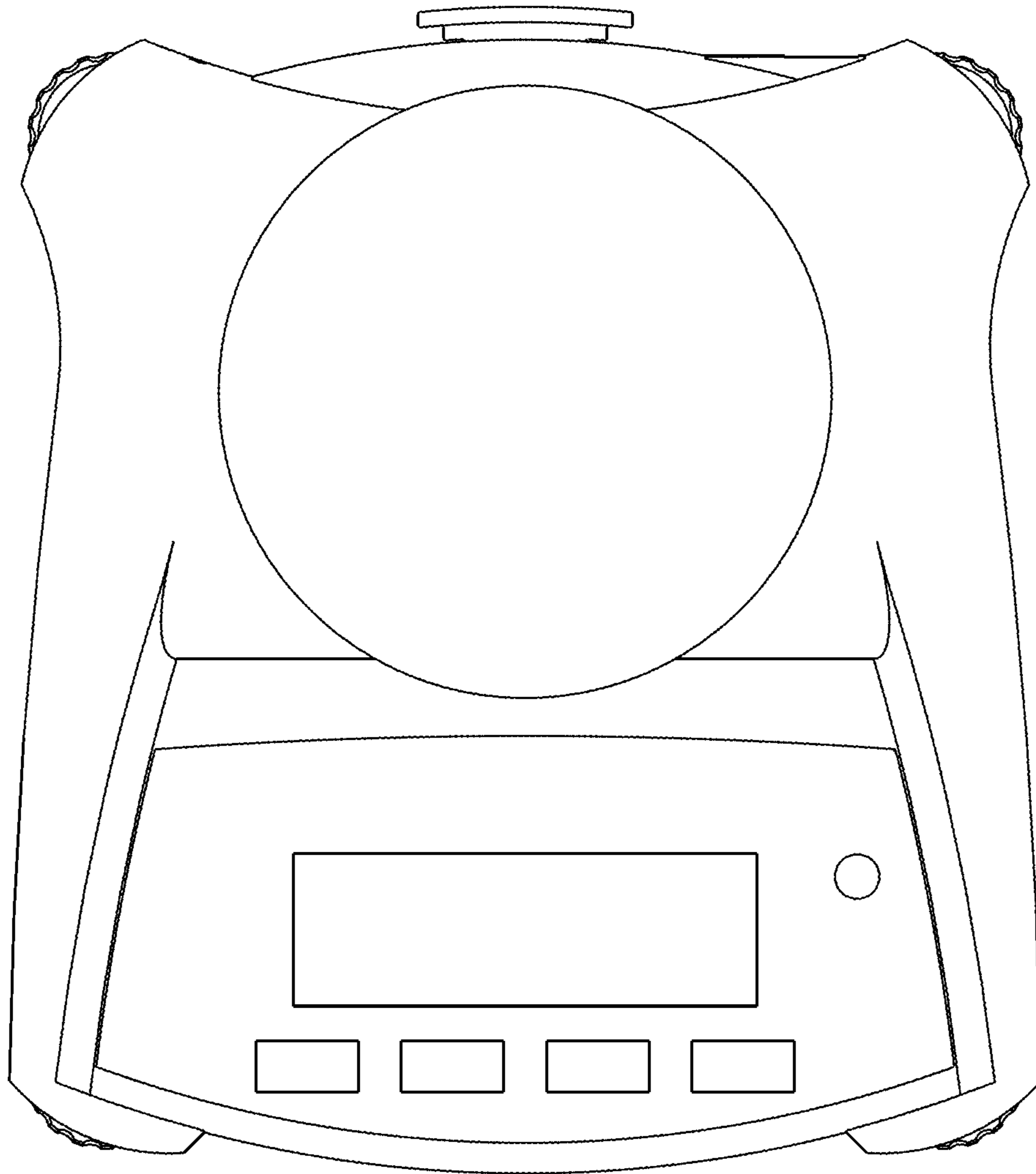


FIG. 65

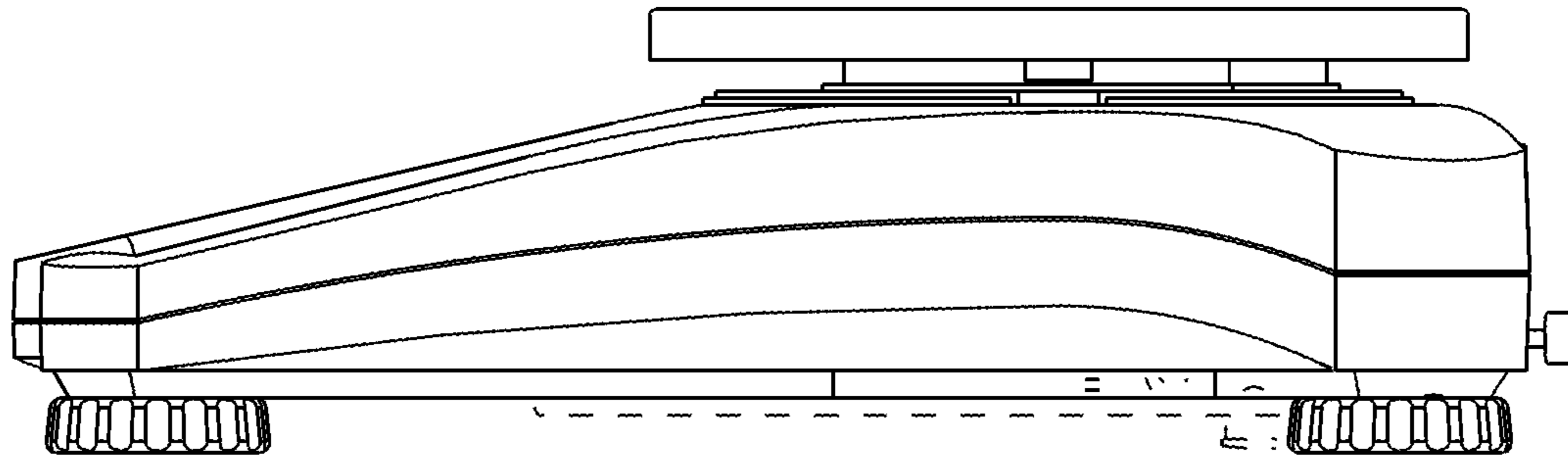


FIG. 66

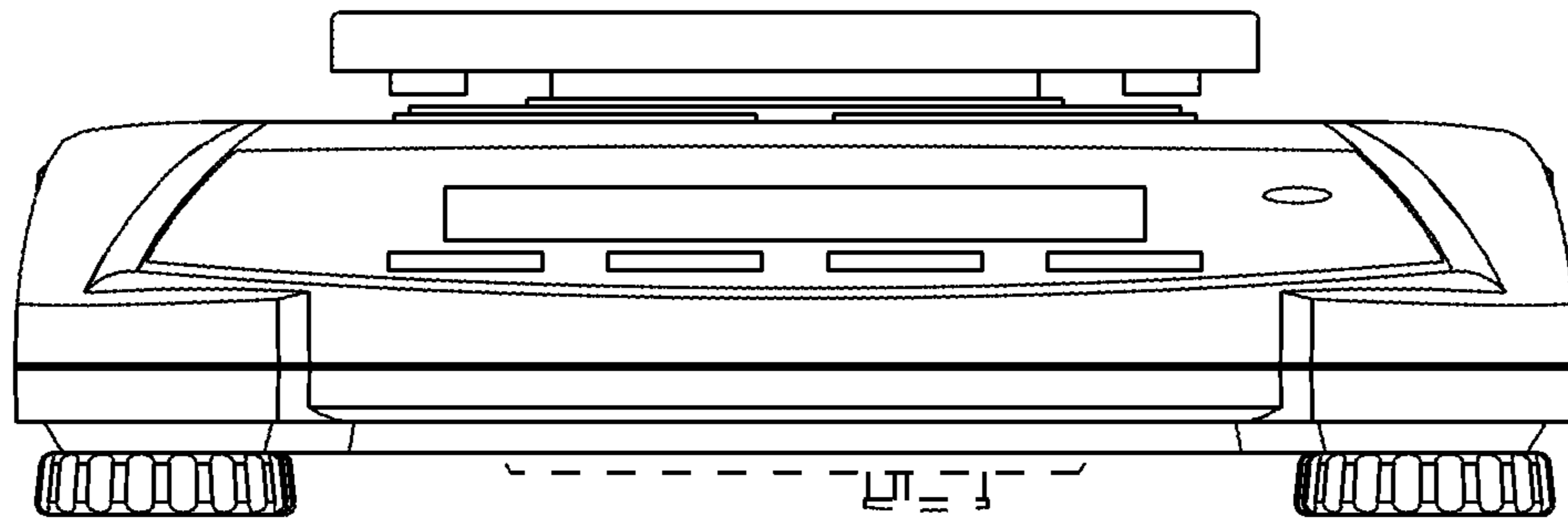


FIG. 67

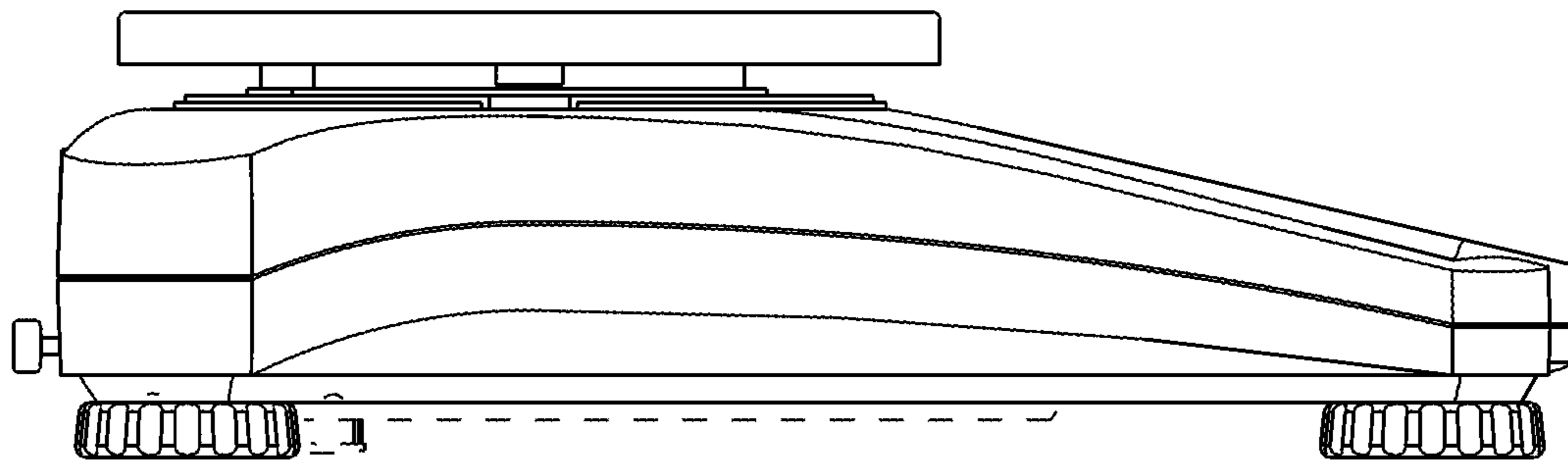


FIG. 68

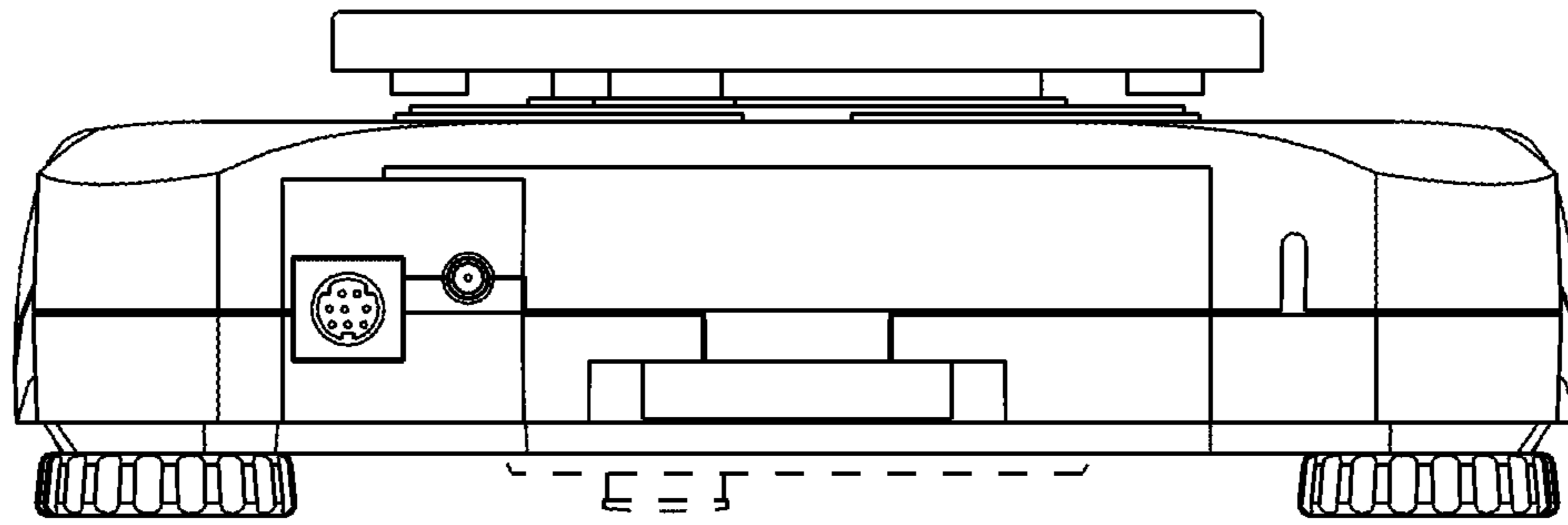


FIG. 69

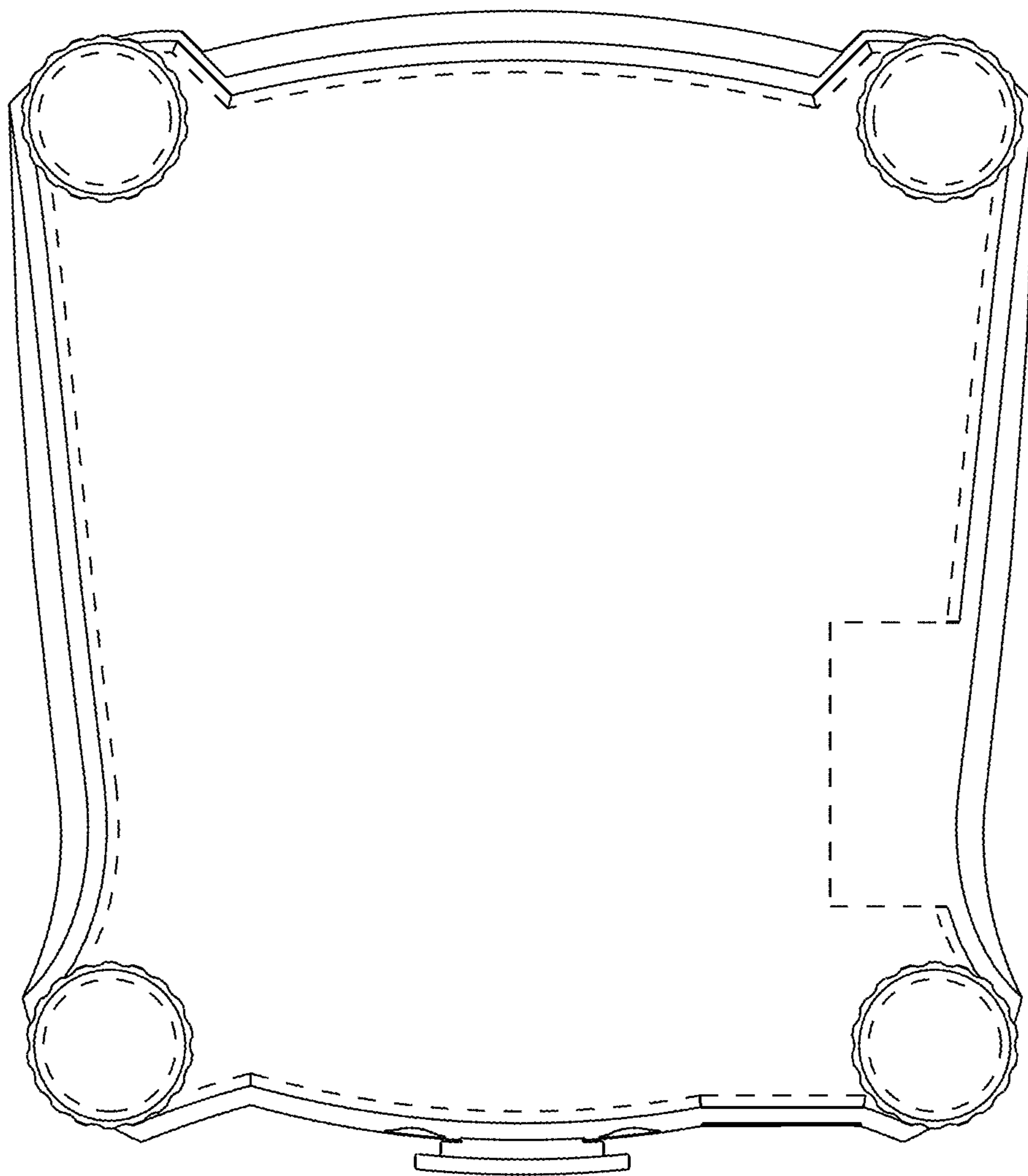


FIG. 70



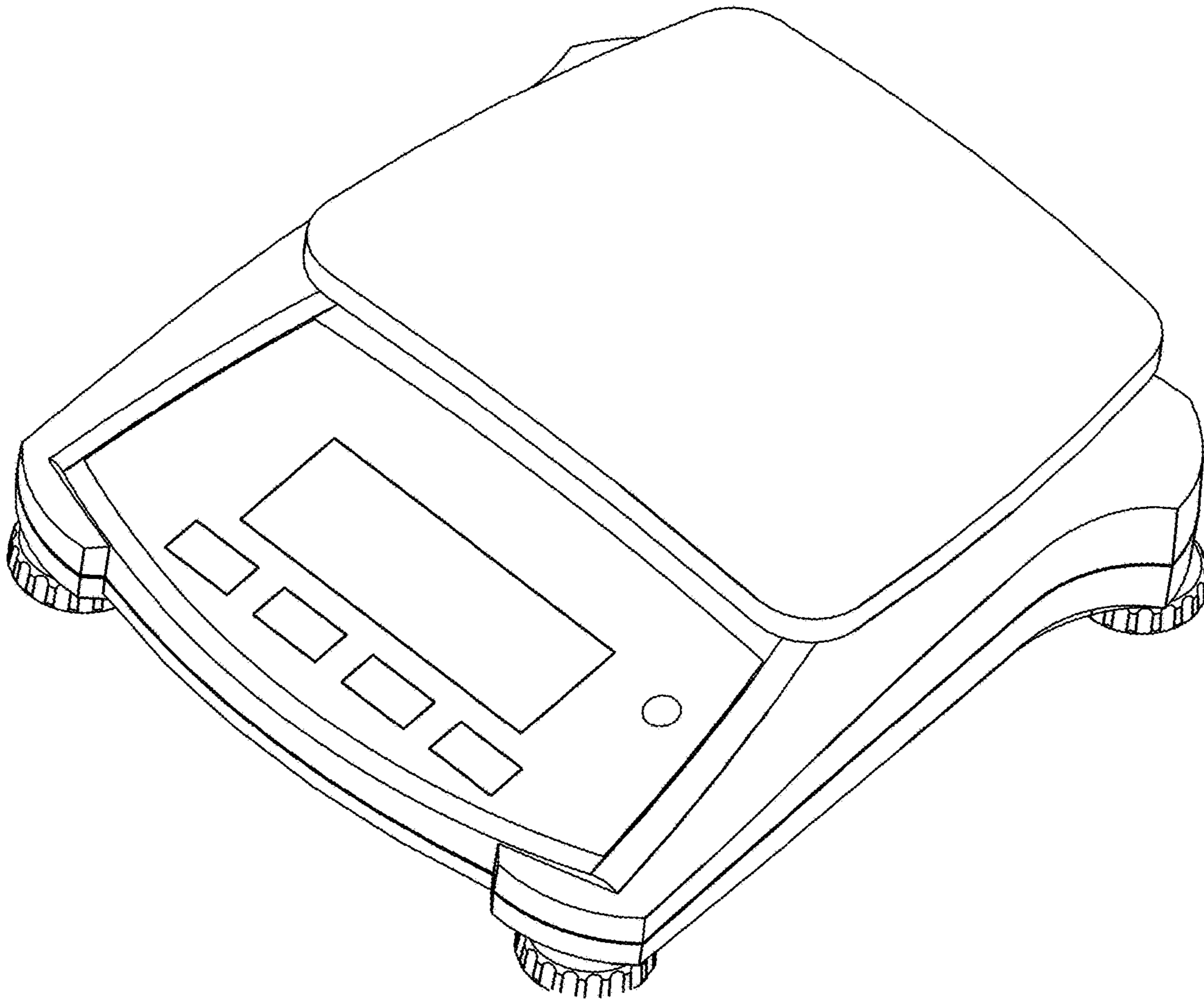


FIG. 71

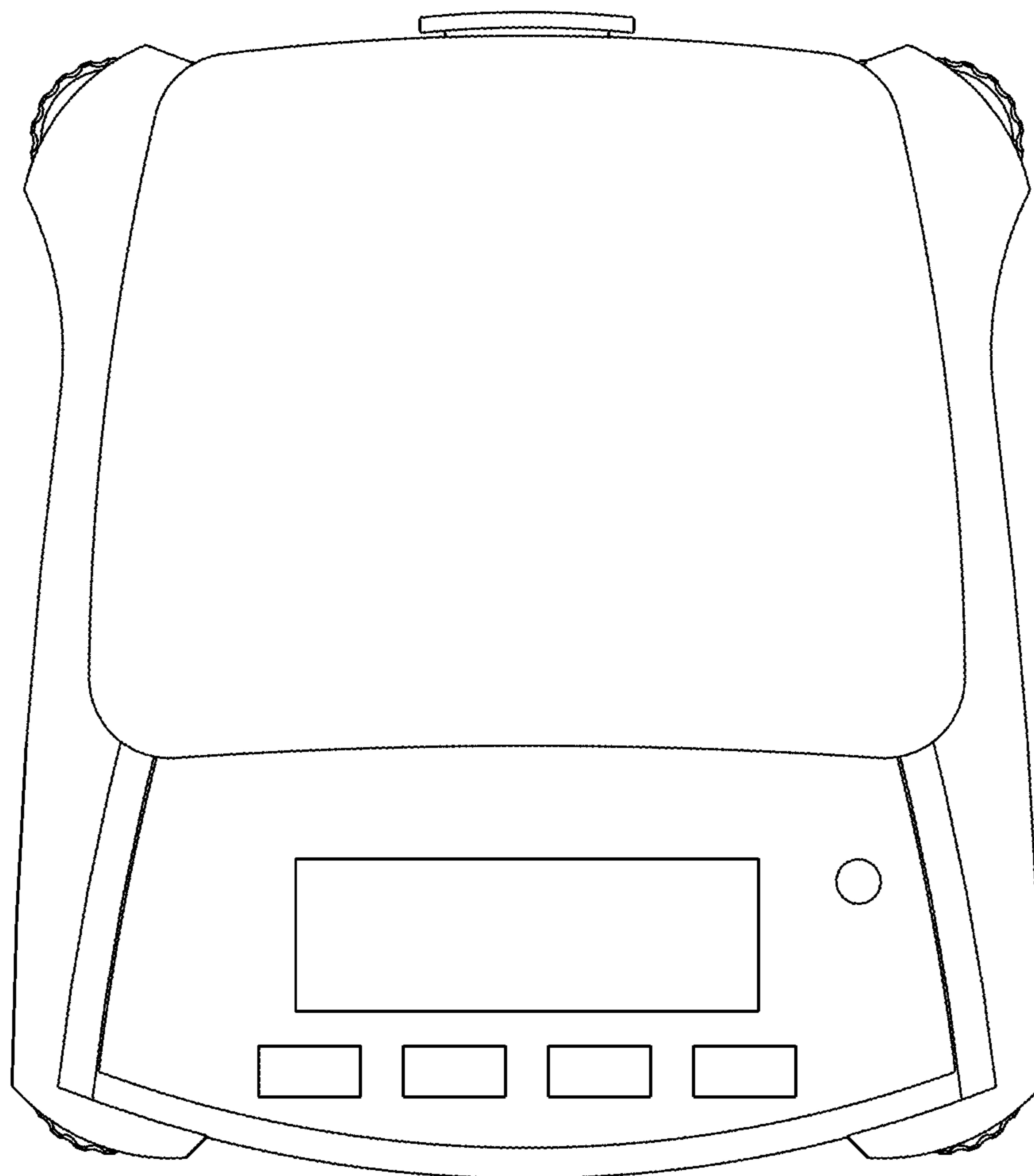


FIG. 72

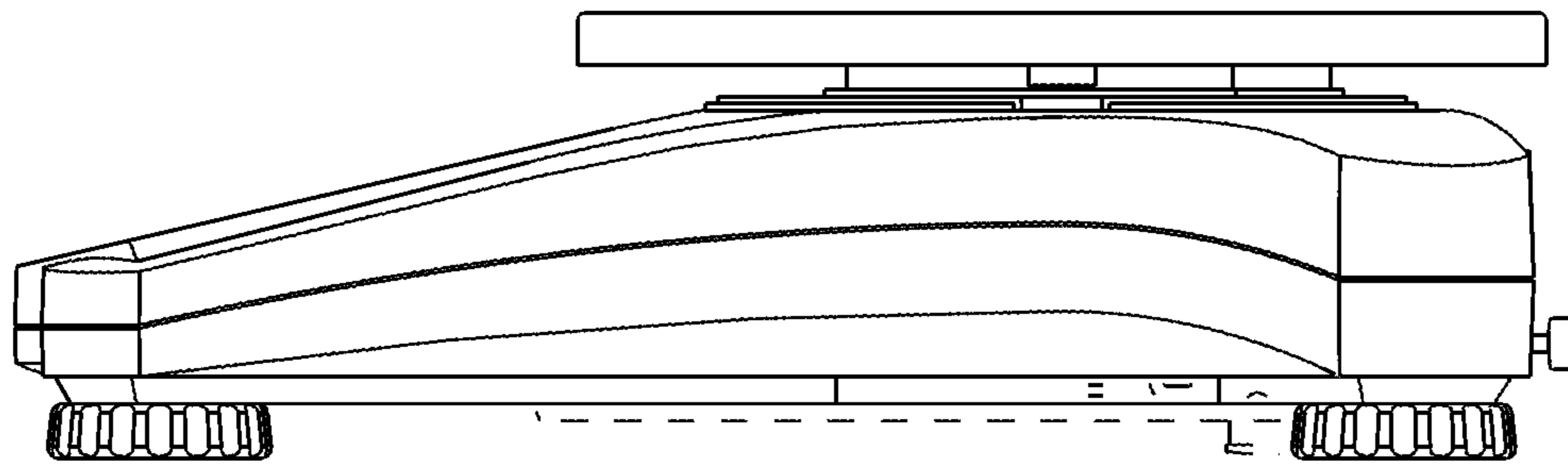


FIG. 73

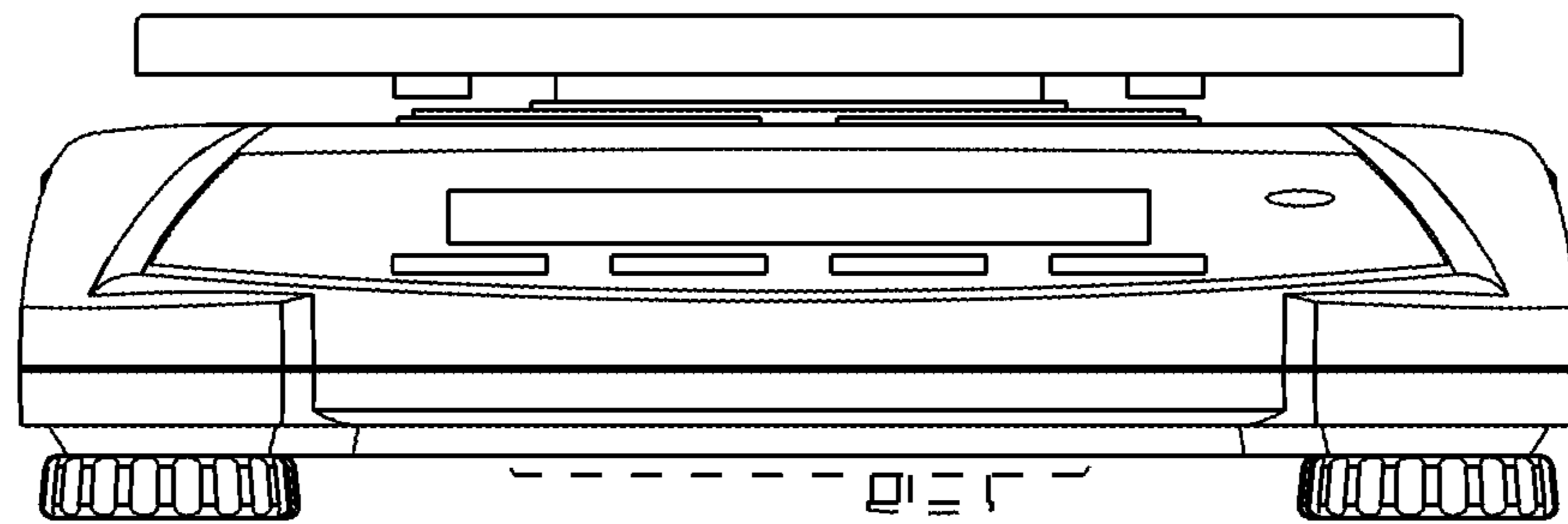


FIG. 74

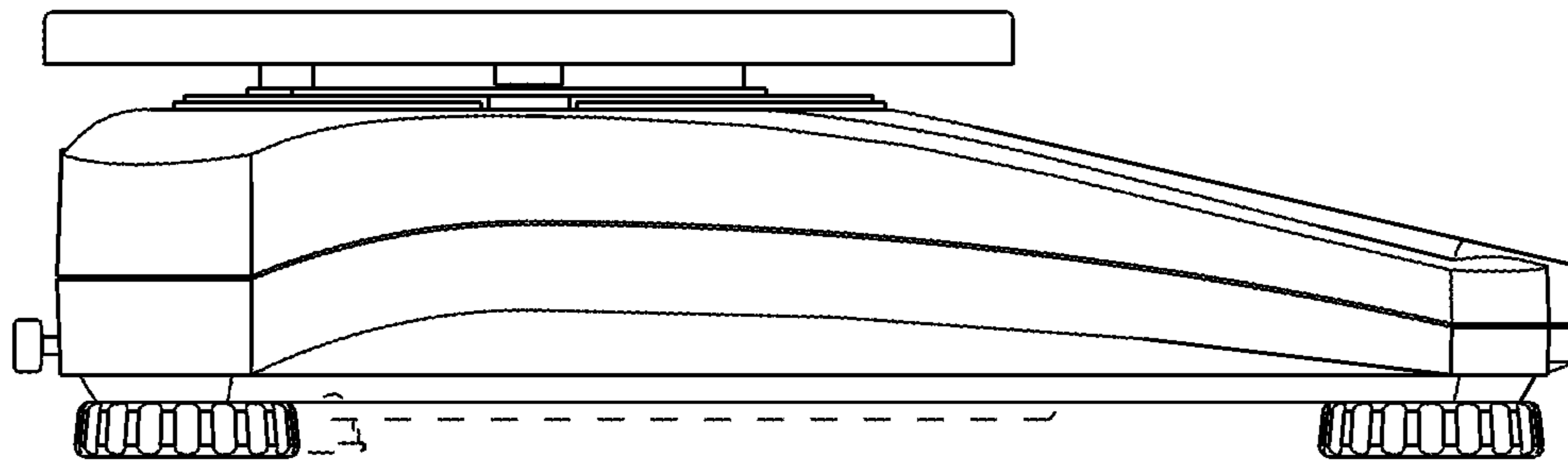


FIG. 75

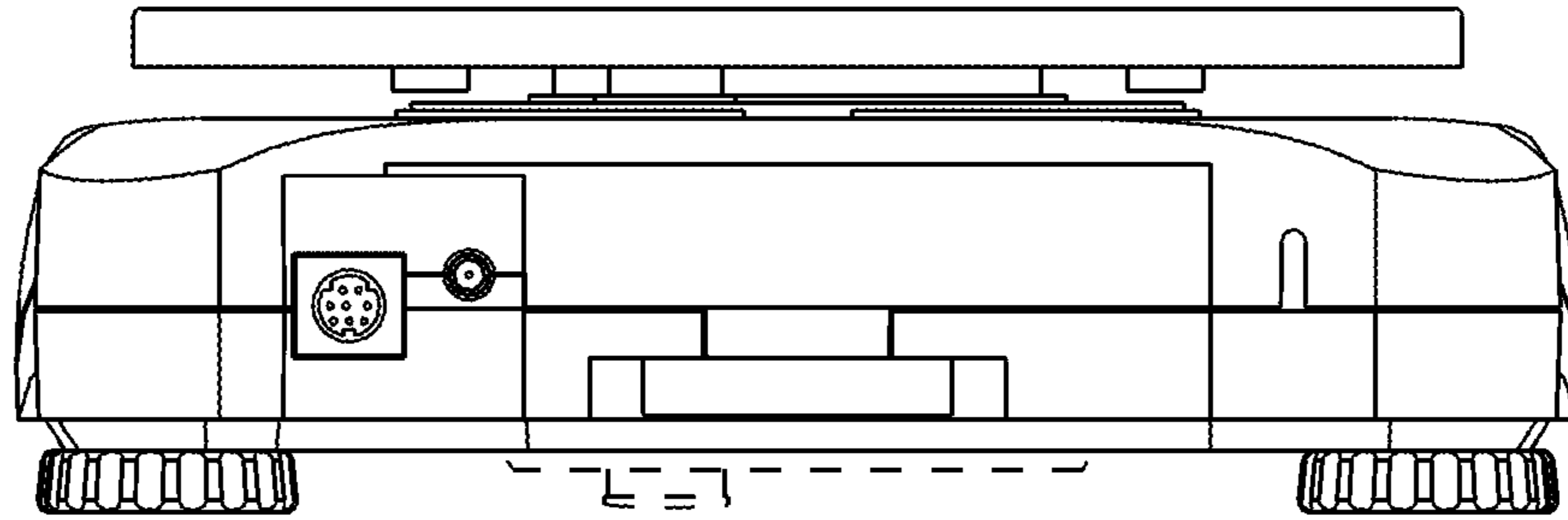


FIG. 76

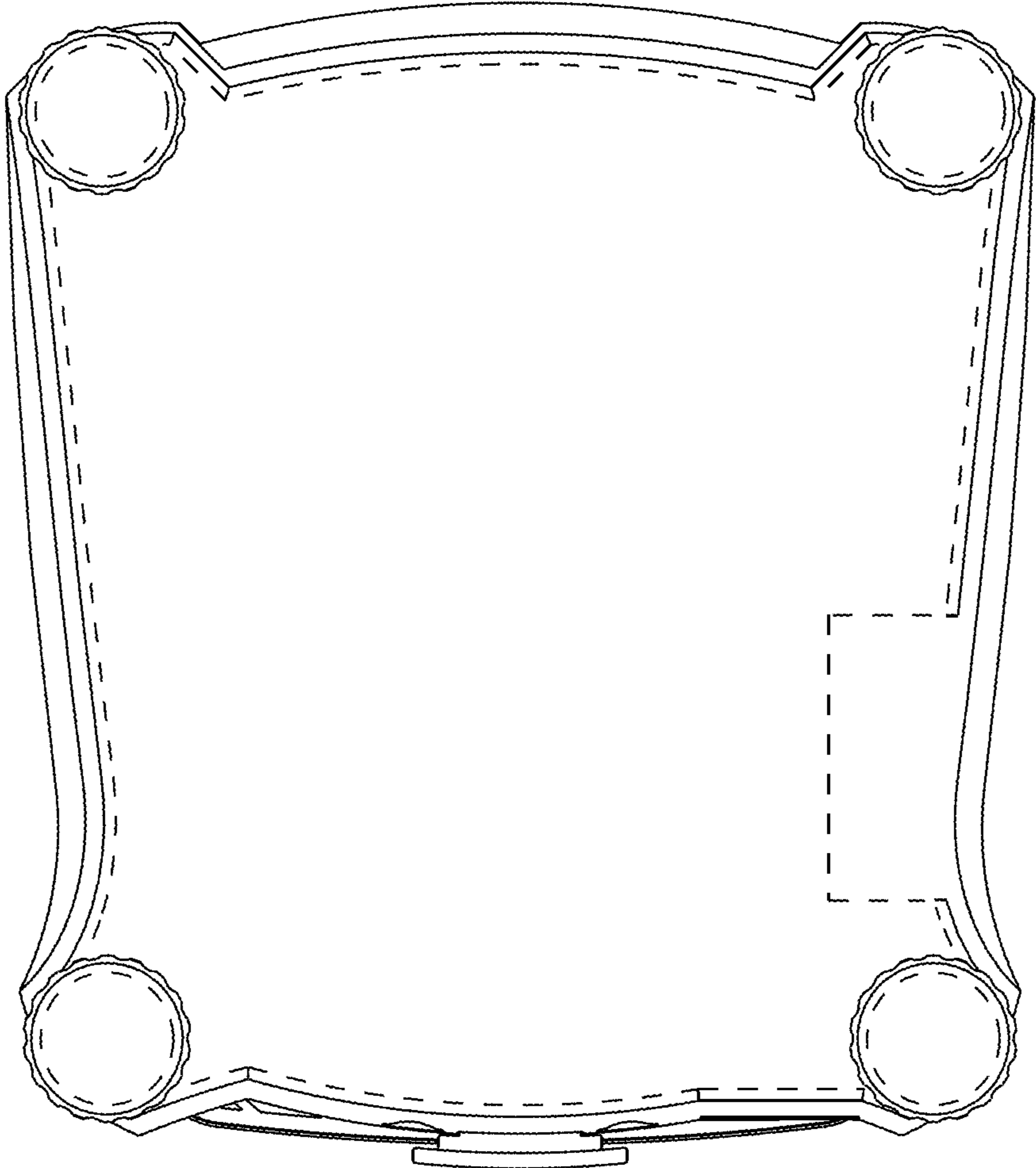


FIG. 77