



US00D787963S

(12) **United States Design Patent** (10) **Patent No.:** **US D787,963 S**
Scott et al. (45) **Date of Patent:** **** May 30, 2017**

(54) **BASE FOR A MULTI-PARAMETER SONDE**

(71) Applicant: **In-Situ, Inc.**, Fort Collins, CO (US)

(72) Inventors: **Elijah Lyle Scott**, Loveland, CO (US);
Steven Collin Sewell, Fort Collins, CO (US)

(73) Assignee: **In-Situ, Inc.**, Fort Collins, CO (US)

(**) Term: **15 Years**

(21) Appl. No.: **29/558,414**

(22) Filed: **Mar. 17, 2016**

Related U.S. Application Data

(63) Continuation of application No. 29/513,888, filed on Jan. 6, 2015, now Pat. No. Des. 755,655.

(51) **LOC (10) Cl.** **10-04**

(52) **U.S. Cl.**
USPC **D10/81**; D10/94

(58) **Field of Classification Search**
USPC D10/78, 80, 81, 94, 103
CPC G01N 33/22; G01N 33/221; G01N 33/18;
G01N 33/1806; G01N 33/1813; G01N
33/1893; G01N 33/182; G01N 33/1826;
G01N 33/1833; G01N 2033/184; G01N
33/1846; G01N 33/1853; G01N 33/186;
G01N 33/1866; G01N 2033/1873; G01N
33/01

See application file for complete search history.

(56) **References Cited**

U.S. PATENT DOCUMENTS

5,099,920 A 3/1992 Warburton et al.
5,259,452 A 11/1993 Wittrisch
D371,517 S 7/1996 Narayanan
5,596,193 A 1/1997 Chutjian et al.
5,820,416 A 10/1998 Carmichael

D418,073 S 12/1999 Kreutzer et al.
6,157,029 A 12/2000 Chutjian et al.
6,305,944 B1 10/2001 Henry et al.
6,677,861 B1 1/2004 Henry et al.
6,779,383 B2 8/2004 Lizotte et al.
6,798,347 B2 9/2004 Henry et al.
6,928,864 B1 8/2005 Henry et al.
6,938,506 B2 9/2005 Henry et al.
6,943,686 B2 9/2005 Allen
7,007,541 B2 3/2006 Henry et al.
7,138,926 B2 11/2006 Henry et al.
7,142,299 B2 11/2006 Tokhtuev et al.
7,470,917 B1 12/2008 Hoang et al.

(Continued)

FOREIGN PATENT DOCUMENTS

EP 1851537 9/2013
WO WO2006/088829 8/2006

OTHER PUBLICATIONS

U.S. Appl. No. 29/558,419, filed Mar. 17, 2016.

(Continued)

Primary Examiner — Antoine D Davis

(74) *Attorney, Agent, or Firm* — Lathrop & Gage LLP

(57) **CLAIM**

The ornamental design for a base of a multi-parameter sonde, as shown and described.

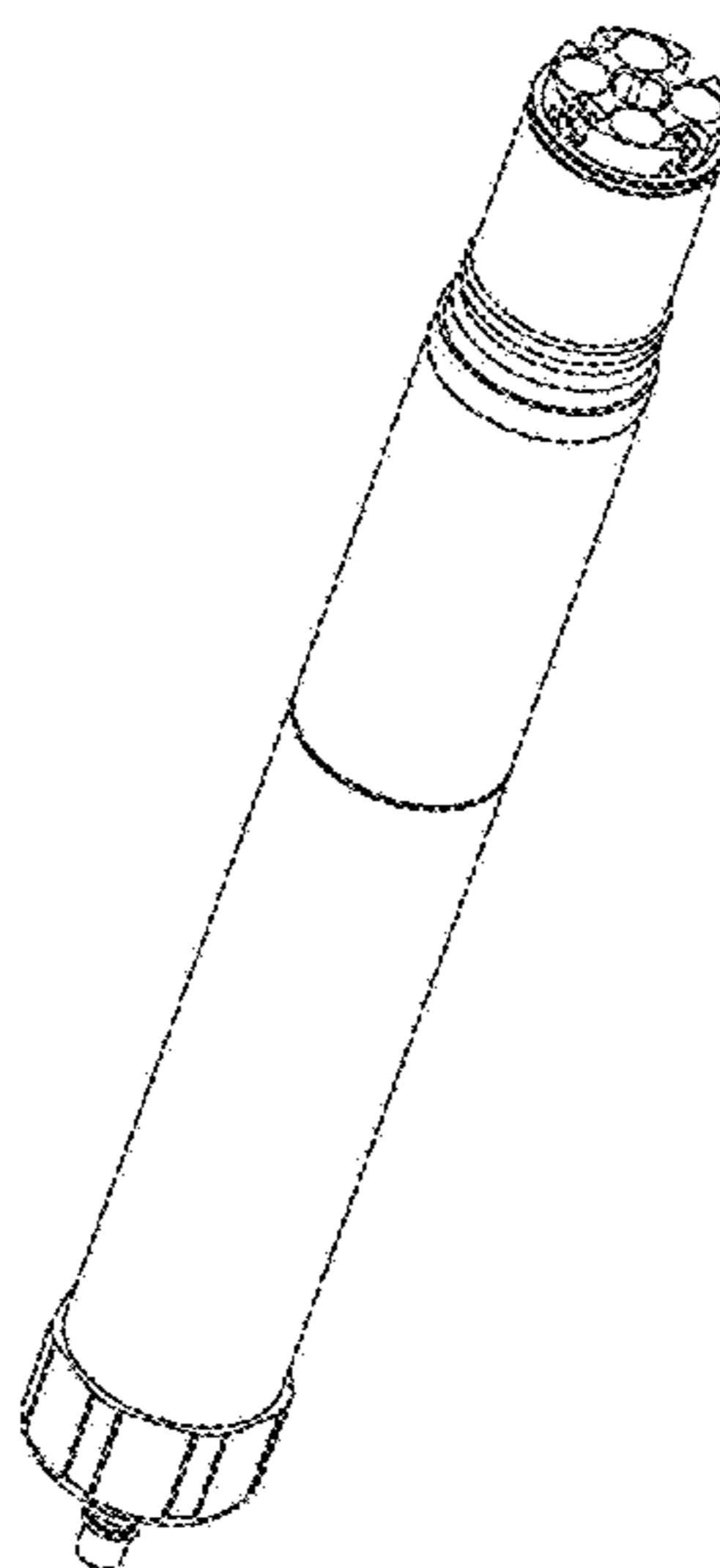
DESCRIPTION

FIG. 1 is a top, front, side perspective view of a base for a multi-parameter sonde;

FIG. 2 is a side view thereof, it being understood the other side is identical in that the surface shape is cylindrical; and, FIG. 3 is a bottom view thereof.

The broken line showing of structural features is included for the purpose of illustrating non-claimed subject matter and forms no part of the claimed design.

1 Claim, 3 Drawing Sheets



(56)

References Cited

U.S. PATENT DOCUMENTS

D616,314	S	5/2010	Akomolede	
7,832,295	B2	11/2010	Rodriguez et al.	
7,900,528	B2	3/2011	Vincent	
8,429,952	B1	4/2013	Bringhurst et al.	
8,488,122	B2	7/2013	Dong et al.	
8,514,066	B2	8/2013	Harmon	
8,542,189	B2	9/2013	Milne et al.	
8,555,482	B2	10/2013	Metzger	
8,797,523	B2	8/2014	Clark	
8,877,027	B2 *	11/2014	Ishii	G01N 27/30 204/416
9,194,854	B2 *	11/2015	Andersen	G01N 33/186
9,267,881	B2 *	2/2016	Furtaw	G01N 21/3504
D755,655	S *	5/2016	Scott	D10/81
2003/0117623	A1	6/2003	Tokhtuev et al.	
2003/0148637	A1	8/2003	Henry et al.	
2007/0140921	A1	6/2007	Mitchell	
2009/0158819	A1	6/2009	Vincent	
2010/0321046	A1	12/2010	Randall et al.	
2011/0023586	A1	2/2011	Leyer et al.	
2011/0273710	A1	11/2011	Dong et al.	
2012/0242993	A1	9/2012	Schick et al.	
2012/0262618	A1	10/2012	Weakly	
2013/0090789	A1	4/2013	DeDonato	
2014/0017143	A1	1/2014	Clark	
2016/0139046	A1	5/2016	Baltz et al.	
2016/0139070	A1	5/2016	Scott et al.	
2016/0139101	A1	5/2016	Scott et al.	
2016/0146777	A1	5/2016	McKee	

OTHER PUBLICATIONS

U.S. Appl. No. 29/558,413, filed Mar. 17, 2016.
 U.S. Appl. No. 29/558,417, filed Mar. 17, 2016.
 U.S. Appl. No. 15/148,832, filed May 6, 2016.
 Sonde Wikipedia, accessed Nov. 4, 2015.
 Teledyne Isco AQ700 Water Quality Multi-Parameter Sonde, 2 pages, Sep. 2013.
 YSI EXO1 Multiparameter Sonde, <http://www.ysi.com/productsdetail.php?EXO1-Water-Quality-Sonde-89>, webpage publicly available at least as early as Oct. 2014.

YSI EXO2 Multiparameter Sonde, <https://www.ysi.com/EXO2>, webpage publicly available at least as early as Oct. 2014.
 Hydrolab HL4 <http://hydrolab.com/hydrolab-hl4-multiparameter-sonde/>, webpage publicly available at least as early as May 6, 2014.
 Ott Hydrolab DS5 <http://www.ott.com/products/water-quality/hydrolab-ds5-multiparameter-data-sonde/>, webpage publicly available at least as early as Oct. 2014.
 In Situ Troll 9500 Multiparameter Sonde, <https://in-situ.com/products/water-quality-testing-equipment/troll-9500-multiparameter-sonde/>, webpage publicly available at least as early as Apr. 1, 2015.
 In Situ Aqua Troll 600 Multiparameter Sonde, <https://in-situ.com/products/water-quality-testing-equipment/aqua-troll-600-multiparameter-sonde/>, webpage publicly available at least as early as Sep. 14, 2015.
 In Situ AquaTroll 600 Product Information, <https://in-situ.com/blog/introducing-the-aqua-troll-600-water-quality-platform-2/>, webpage publicly available at least as early as Sep. 21, 2015.
 In Situ AquaTroll 600 Specification Sheet, https://in-situ.com/wp-content/uploads/2015/09/Aqua_TROLL_600_Spec.pdf, webpage publicly available at least as early as Apr. 30, 2016.
 U.S. Appl. No. 29/558,419, filed Mar. 17, 2016, Scott et al.
 U.S. Appl. No. 29/558,413, filed Mar. 17, 2016, Scott et al.
 U.S. Appl. No. 29/558,417, filed Mar. 17, 2016, Scott et al.
 U.S. Appl. No. 15/148,832, filed May 6, 2016, Steinbach et al.
 In Situ Water Quality Testing Equipment Products, <https://in-situ.com/product-category/water-quality-testing-equipment/>, webpage publicly available at least as early as Apr. 1, 2015.
 Examiner's Report for corresponding CA Application No. 163113, dated Nov. 16, 2015, 3 pages.
 6-Series Multiparameter Water Quality Sondes, YSI Environmental, dated Aug. 24, 2006, 14 pages.
 International Search Report with Written Opinion corresponding to International Patent Application No. PCT/US2015/059925, mailed Jan. 20, 2016, 8 pages.
 International Search Report with Written Opinion corresponding to International Patent Application No. PCT/US2015/059920, mailed Jan. 29, 2016, 7 pages.
 International Search Report and Written Opinion corresponding to International Patent Application No. PCT/US2015/059918, mailed Feb. 1, 2016, 8 pages.
 International Search Report with Written Opinion corresponding to International Patent Application No. PCT/US2015/059939, mailed Jan. 13, 2016, 9 pages.

* cited by examiner

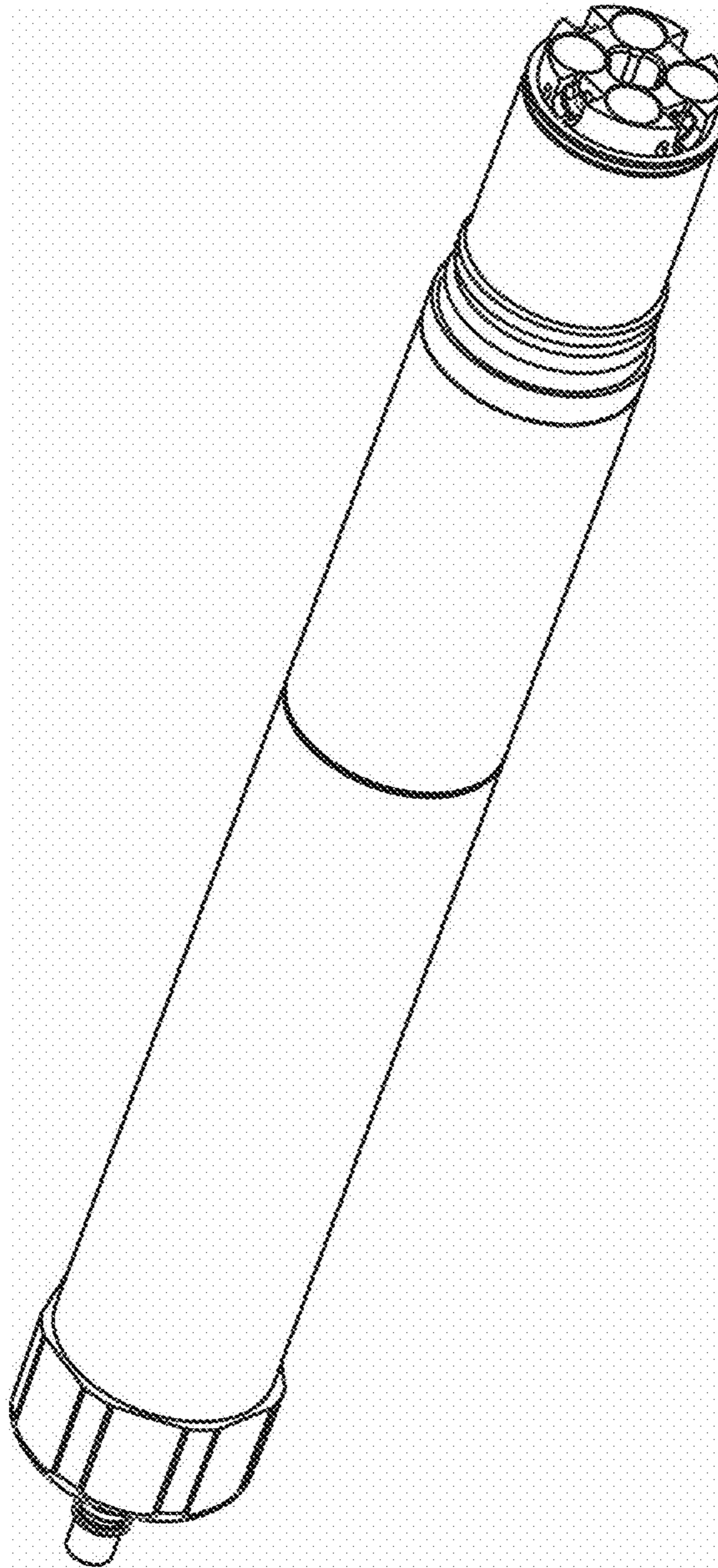


FIG. 1

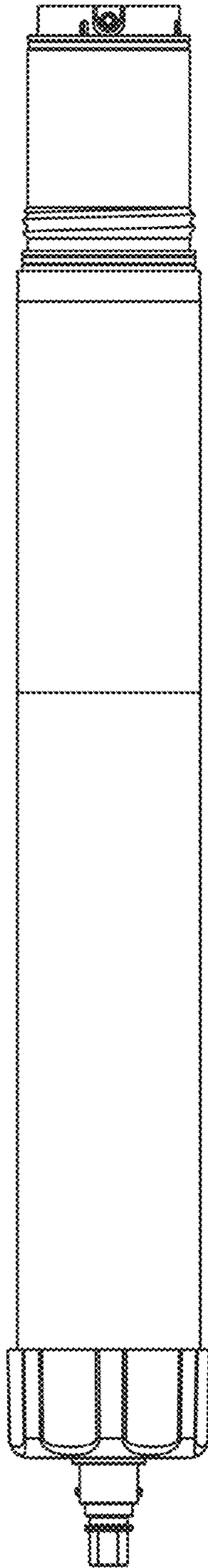


FIG. 2

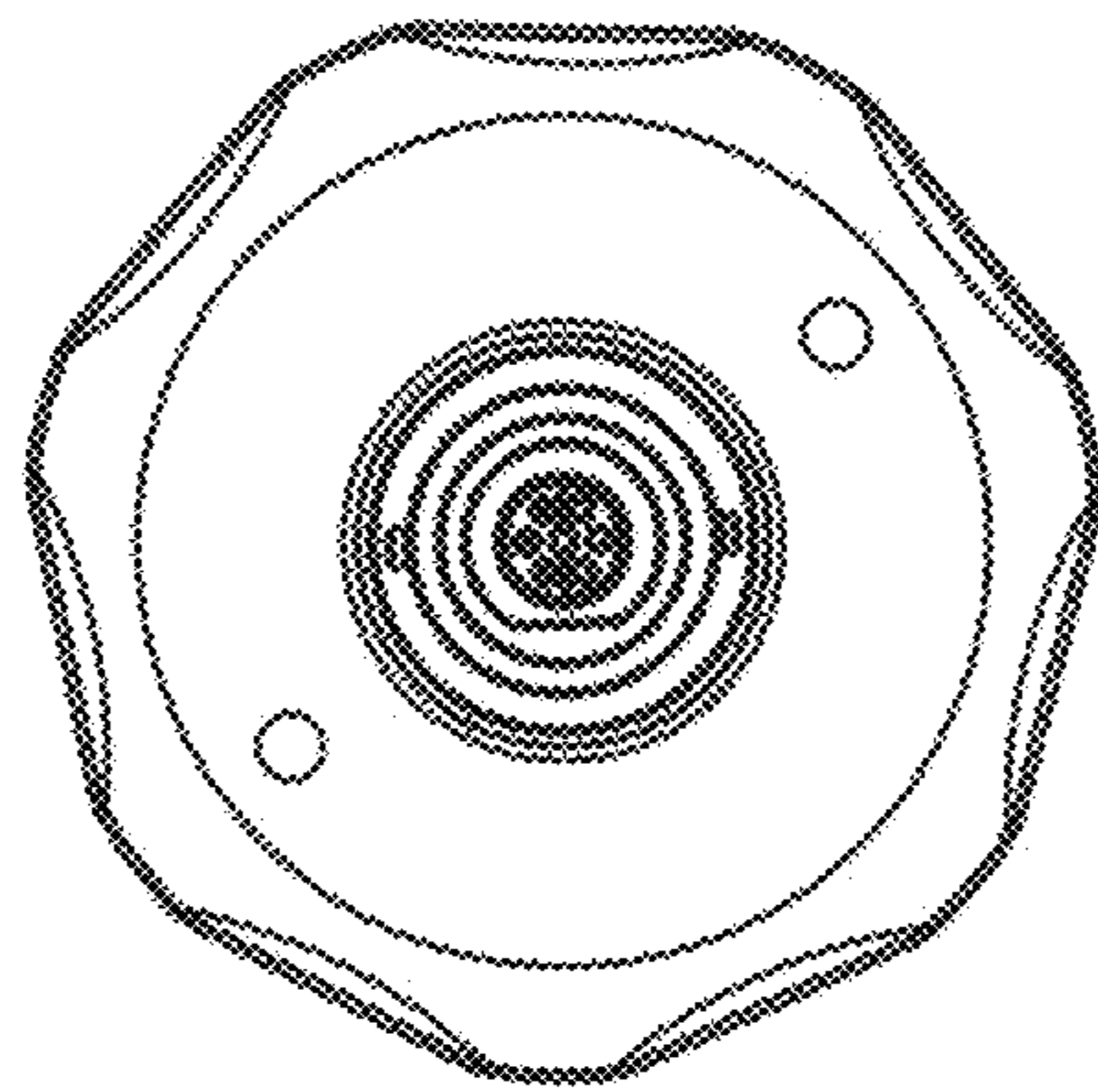


FIG. 3