



US00D787959S

(12) **United States Design Patent** (10) **Patent No.:** **US D787,959 S**
Derr (45) **Date of Patent:** **** May 30, 2017**

(54) **MEASURING INSTRUMENT**

(71) Applicant: **Testo AG**, Lenzkirch (DE)
(72) Inventor: **Andreas Derr**, Donaueschingen (DE)
(73) Assignee: **Testo AG**, Lenzkirch (DE)
(**) Term: **15 Years**

(21) Appl. No.: **29/559,962**
(22) Filed: **Apr. 1, 2016**
(51) **LOC (10) Cl.** **10-04**
(52) **U.S. Cl.**
USPC **D10/52**
(58) **Field of Classification Search**
USPC D10/52-56
CPC .. G01N 27/221; G01N 27/222; G01N 27/223;
G01N 27/225; G01N 27/226; G01N
27/227; G01N 33/02; G01N 33/025;
G01N 33/03; G01N 33/04; G01N 33/06;
G01N 33/08; G01N 33/085; G01N 33/10;
G01N 2033/105; G01N 33/12; G01N
33/14

See application file for complete search history.

(56) **References Cited**

U.S. PATENT DOCUMENTS

D411,807 S * 7/1999 Derr D10/53
* cited by examiner

Primary Examiner — Antoine D Davis
(74) *Attorney, Agent, or Firm* — Volpe and Koenig, P.C.

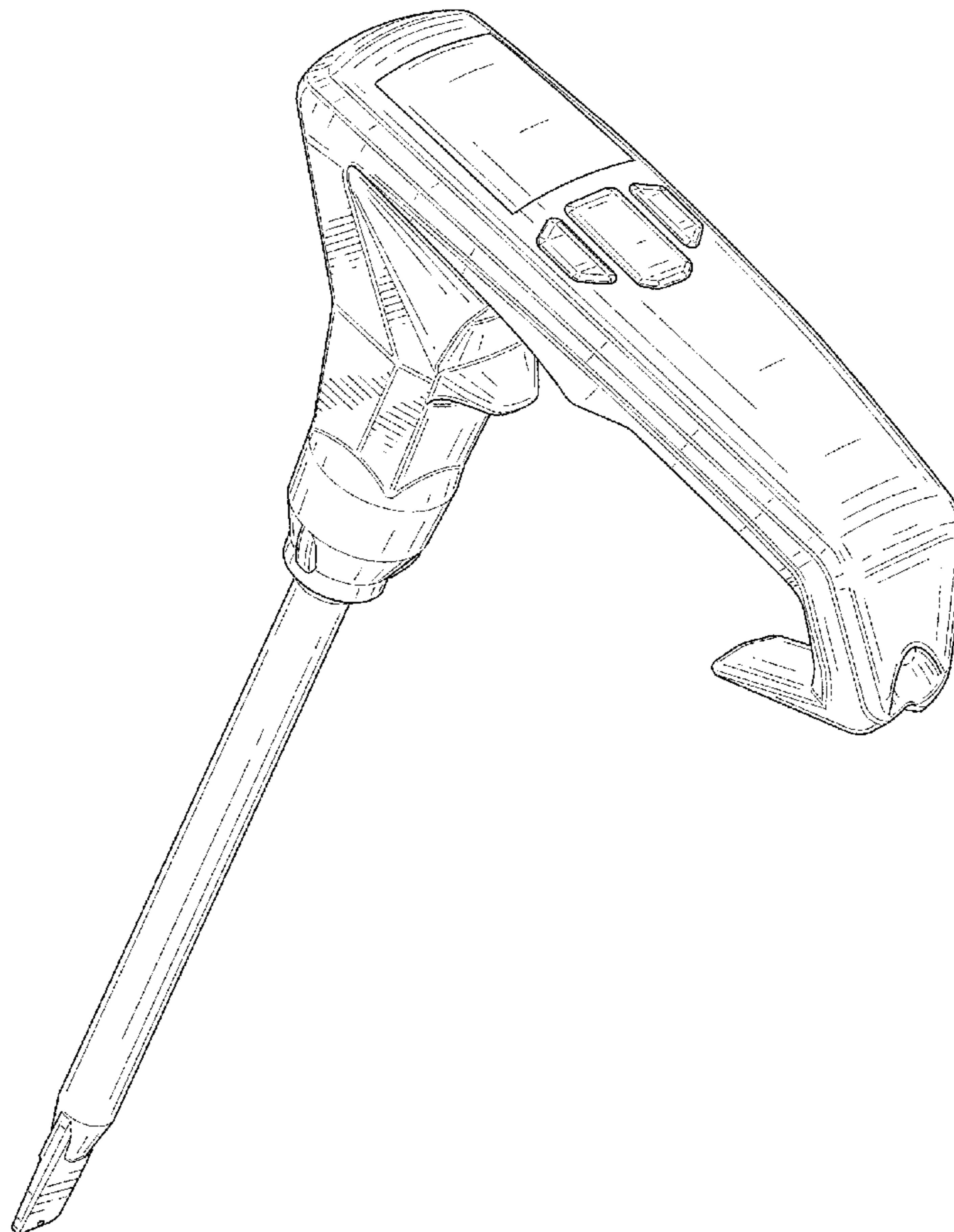
(57) **CLAIM**

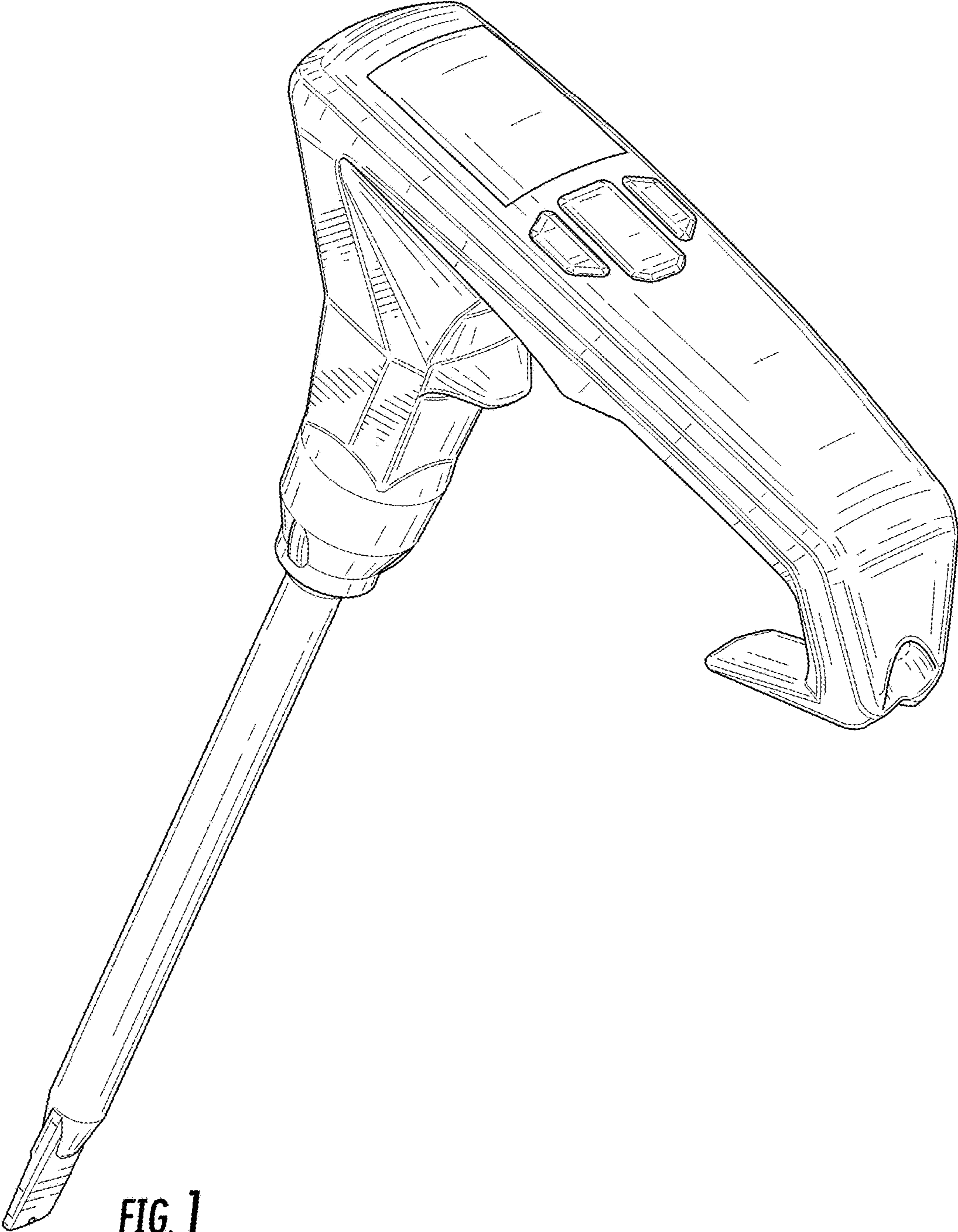
The ornamental design for a measuring instrument, as shown and described.

DESCRIPTION

FIG. 1 is a top, front, left perspective view of a measuring instrument in accordance with my design
FIG. 2 is a front elevational view thereof;
FIG. 3 is a rear elevational view thereof;
FIG. 4 is a right side elevational view thereof;
FIG. 5 is a left side elevational view thereof;
FIG. 6 is a top plan view thereof; and,
FIG. 7 is a bottom view thereof.

1 Claim, 5 Drawing Sheets





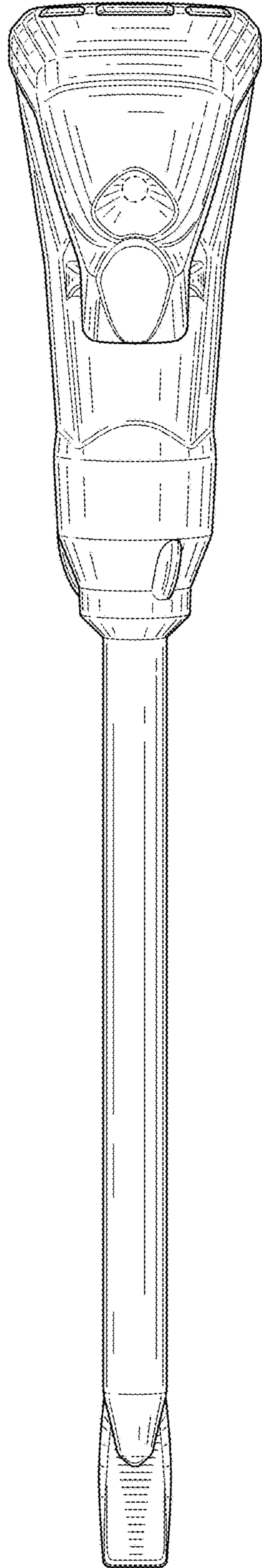


FIG. 2

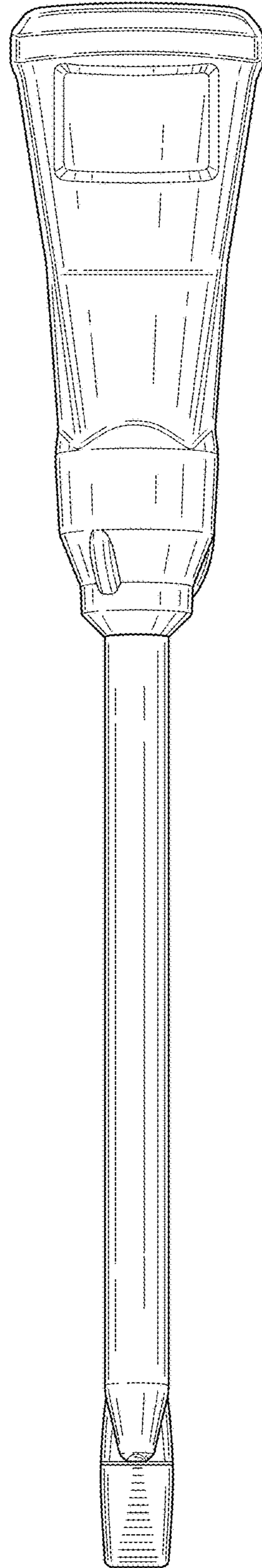


FIG. 3

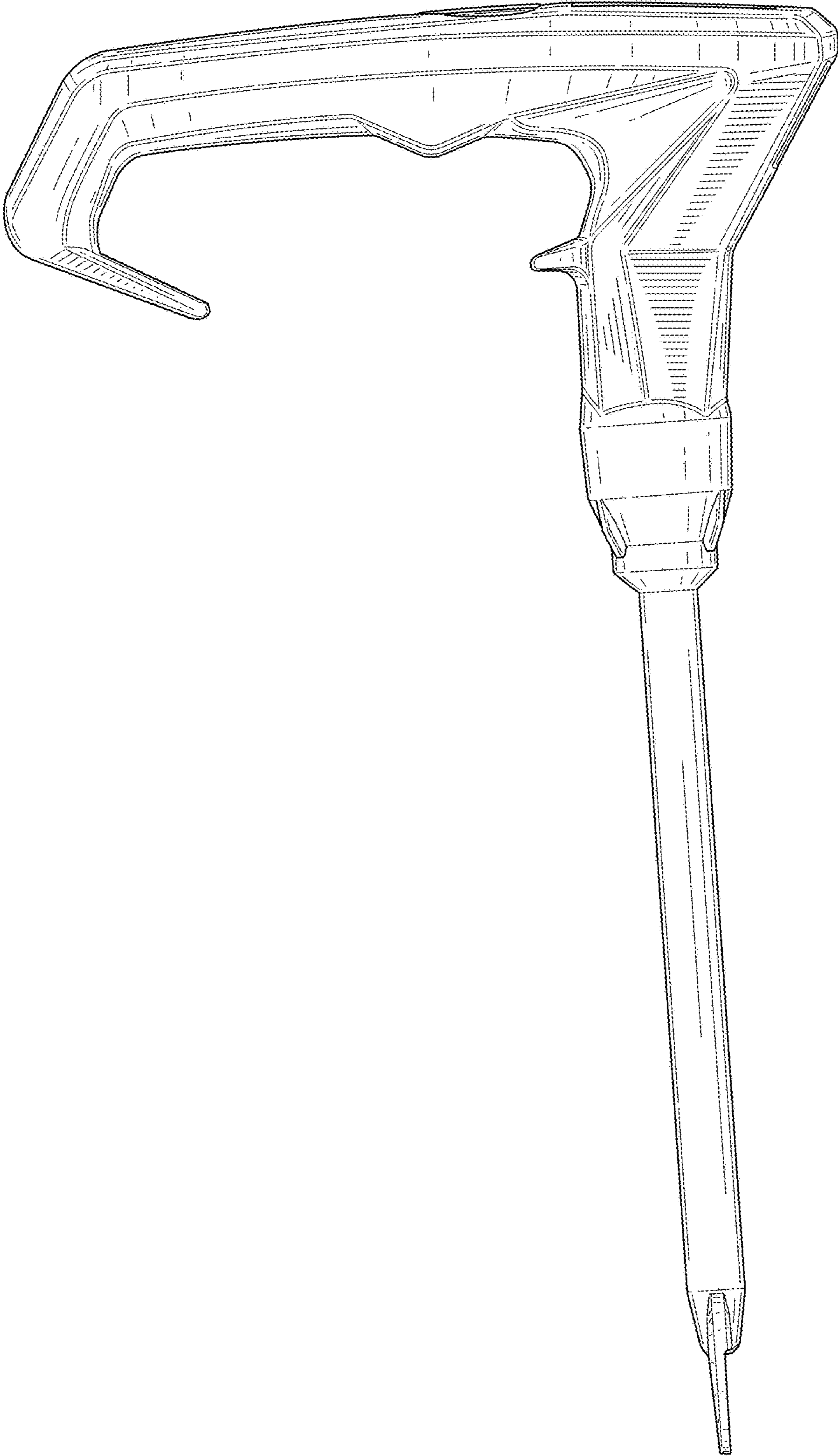


FIG. 4

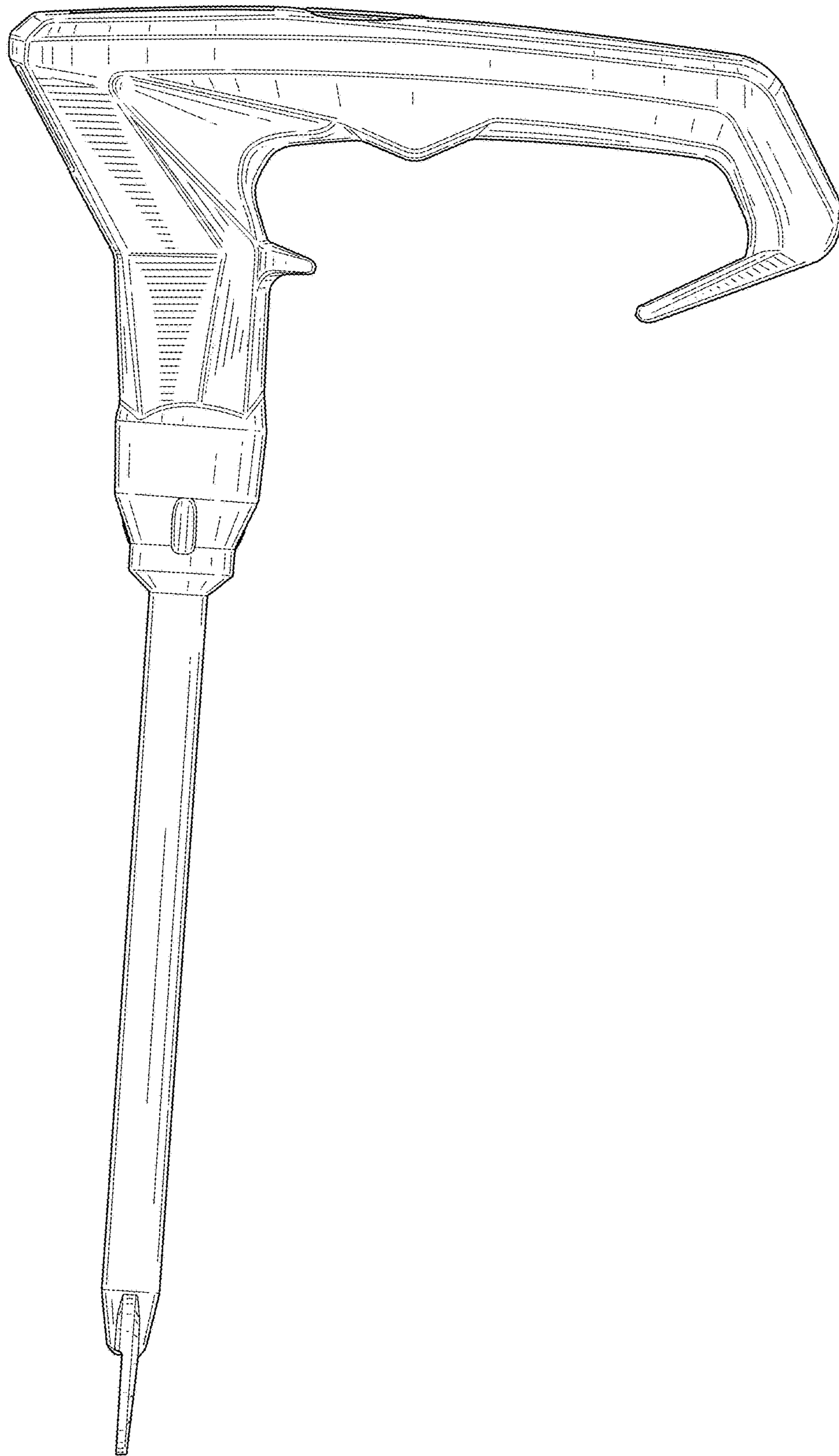


FIG. 5

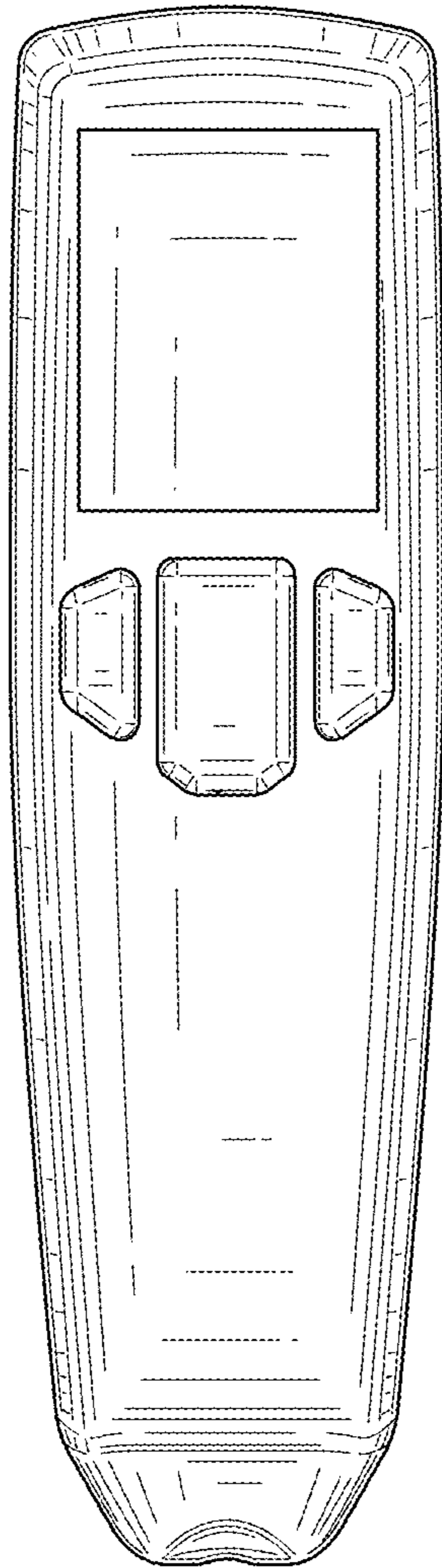


FIG. 6

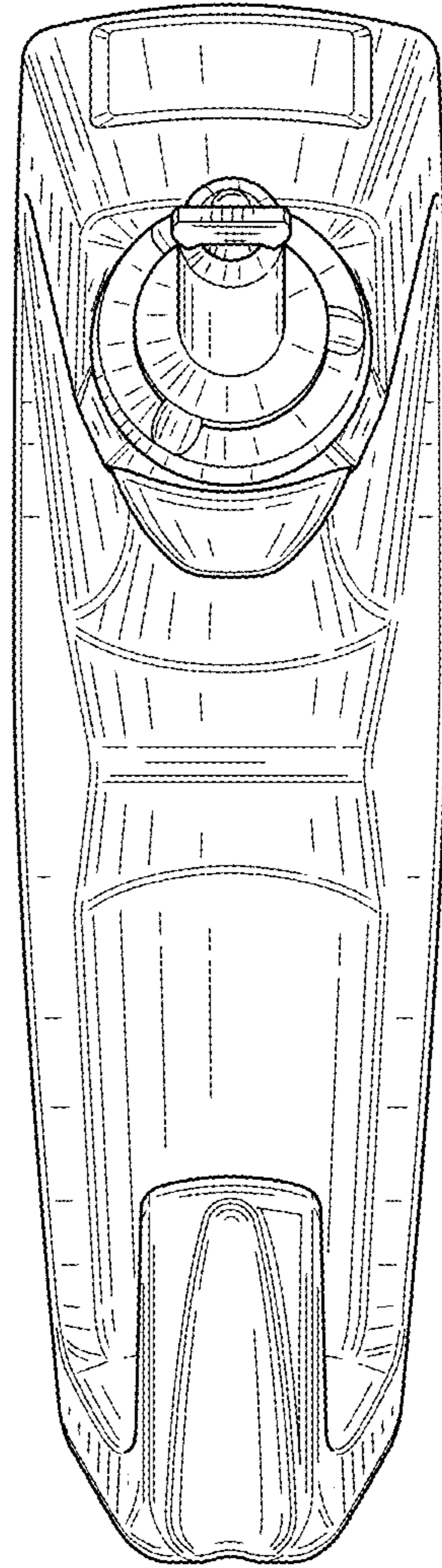


FIG. 7