



US00D787958S

(12) **United States Design Patent**
Hume

(10) **Patent No.:** **US D787,958 S**

(45) **Date of Patent:** **** May 30, 2017**

(54) **BAR TOOL**

(71) Applicant: **True Fabrications, Inc.**, Seattle, WA
(US)

(72) Inventor: **Ryan William Hume**, Seattle, WA (US)

(73) Assignee: **TRUE FABRICATIONS, INC.**,
Seattle, WA (US)

(**) Term: **14 Years**

(21) Appl. No.: **29/515,297**

(22) Filed: **Jan. 21, 2015**

(51) **LOC (10) Cl.** **10-04**

(52) **U.S. Cl.**
USPC **D10/46.3**

(58) **Field of Classification Search**
USPC D10/46.2, 46.3; D7/691, 397, 398, 700;
D32/35; D8/10; D24/116; D30/121,
D30/129, 130, 199
CPC G01F 19/00; G01F 19/002; A47J 2203/00;
A61J 7/0023; A61J 7/0046
See application file for complete search history.

(56) **References Cited**

U.S. PATENT DOCUMENTS

D22,768 S * 9/1893 Dungan D10/46.3
D229,917 S * 1/1974 Swett D10/46.3

D233,205 S * 10/1974 Wagner D10/46.3
D327,815 S * 7/1992 van Schijndel D7/513
D534,037 S * 12/2006 Oas D7/507
D646,593 S * 10/2011 Harrington D10/46.3
D673,014 S * 12/2012 Fisher D10/46.3
D770,100 S * 10/2016 Burroughs D30/129
2011/0048128 A1* 3/2011 Groll G01F 19/002
73/427

* cited by examiner

Primary Examiner — Susan Bennett Hattan

Assistant Examiner — Brett Miller

(74) *Attorney, Agent, or Firm* — Vicky Kaur Bajwa

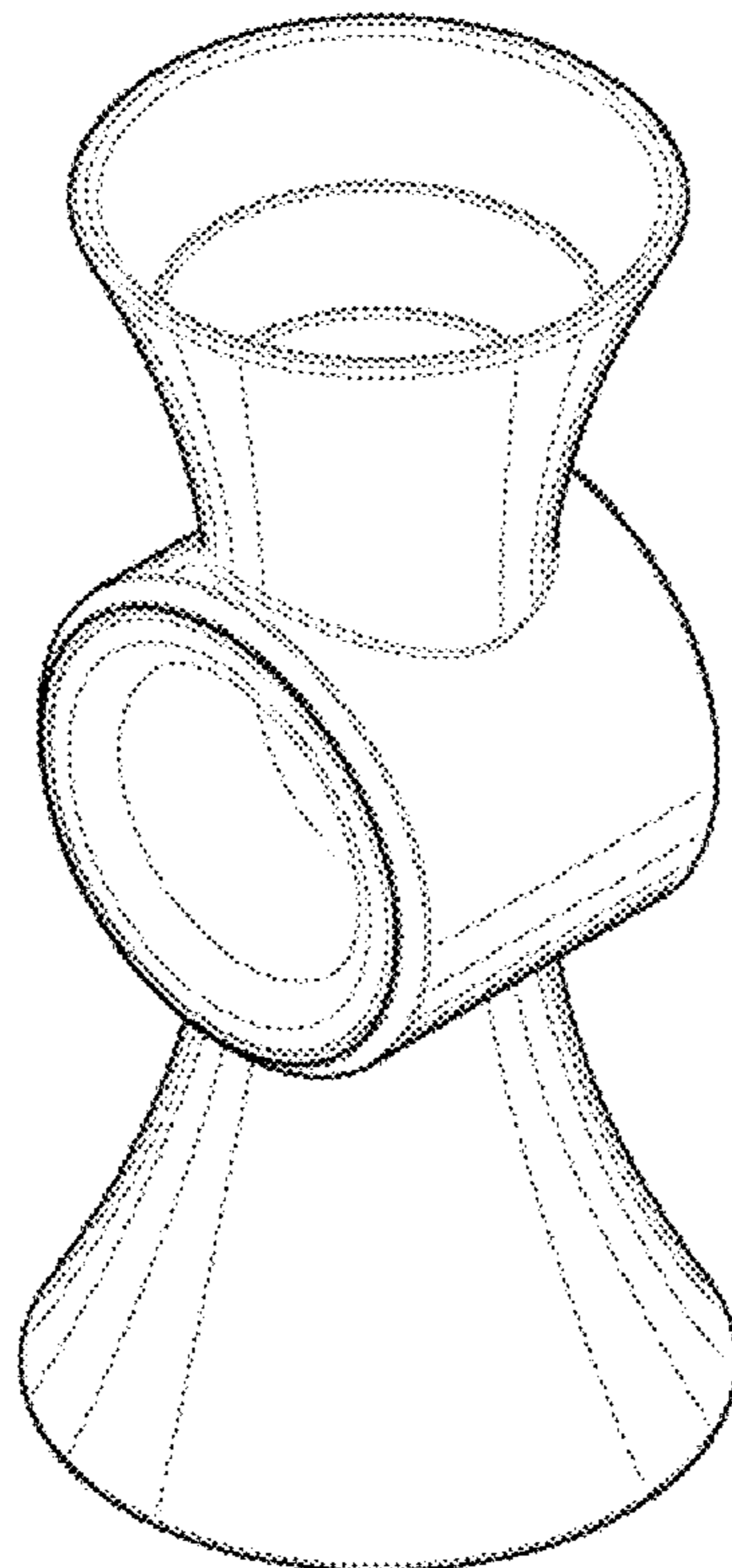
(57) **CLAIM**

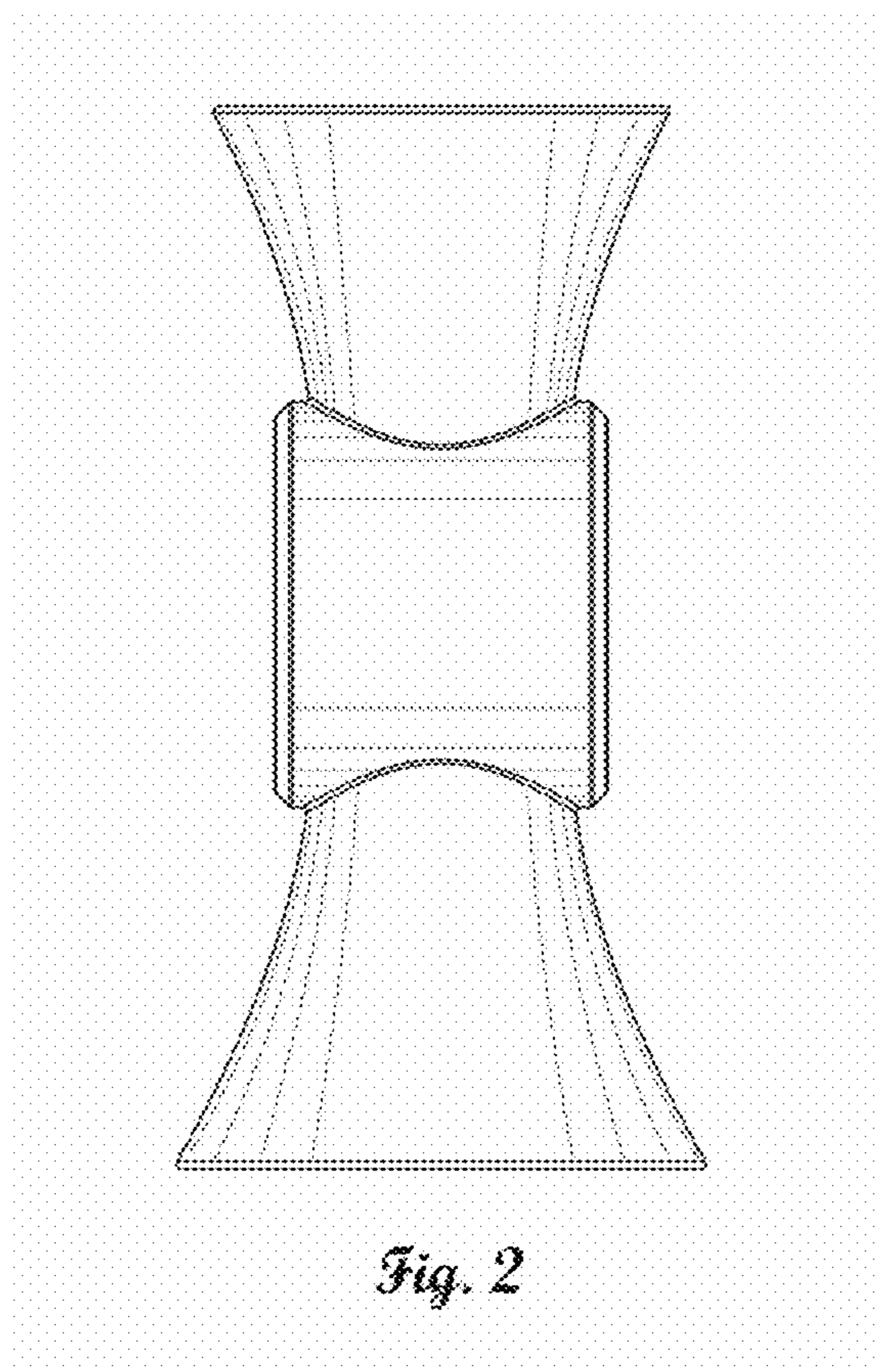
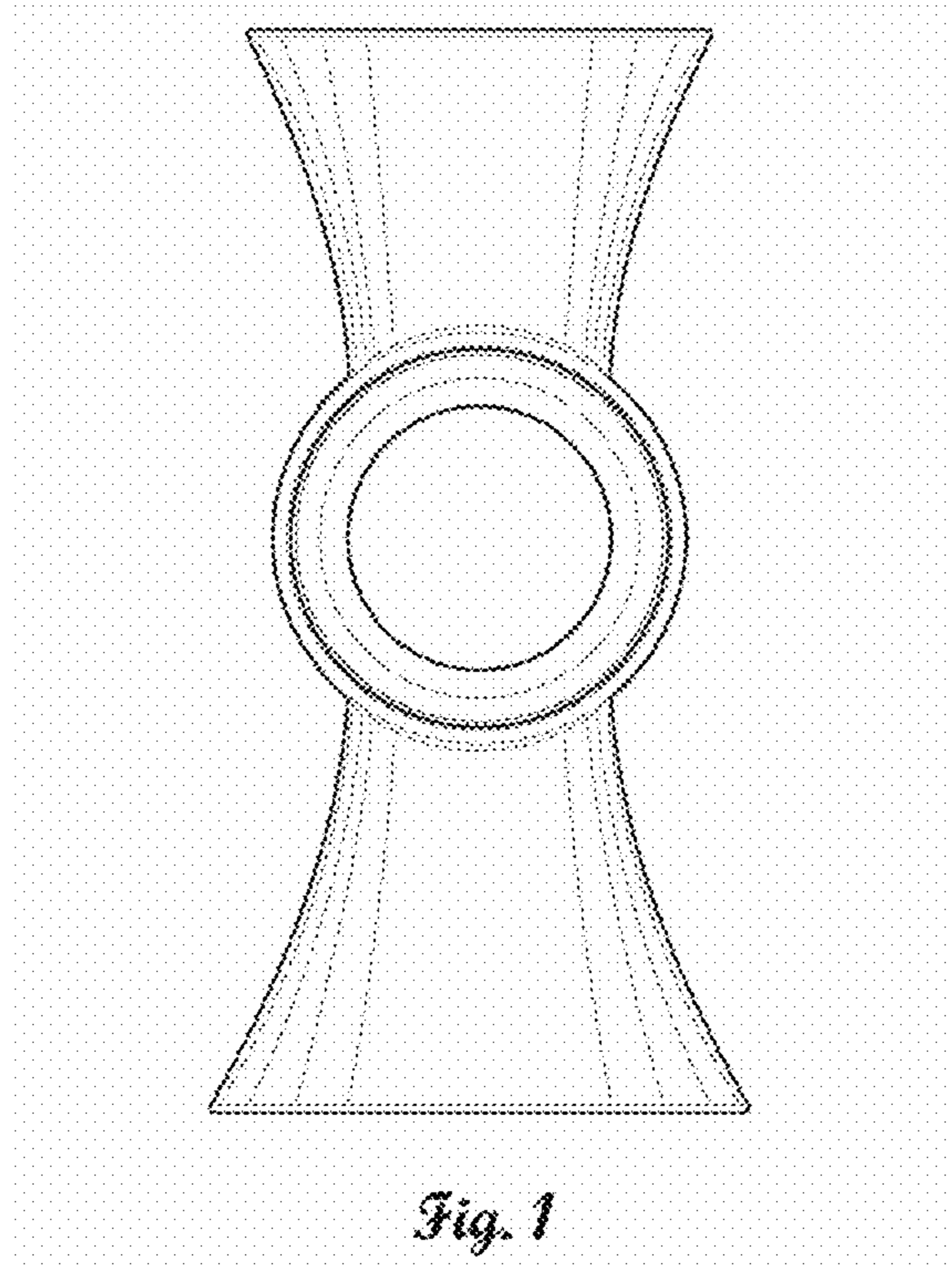
The ornamental design for a bar tool, as shown and described.

DESCRIPTION

FIG. 1 is a front elevation view of a bar tool, the rear view being a mirror image;
FIG. 2 is a left side elevation view of the bar tool of FIG. 1, the right side view being a mirror image;
FIG. 3 is a top view of the bar tool of FIG. 1; and,
FIG. 4 is a perspective view of the bar tool of FIG. 1.

1 Claim, 2 Drawing Sheets





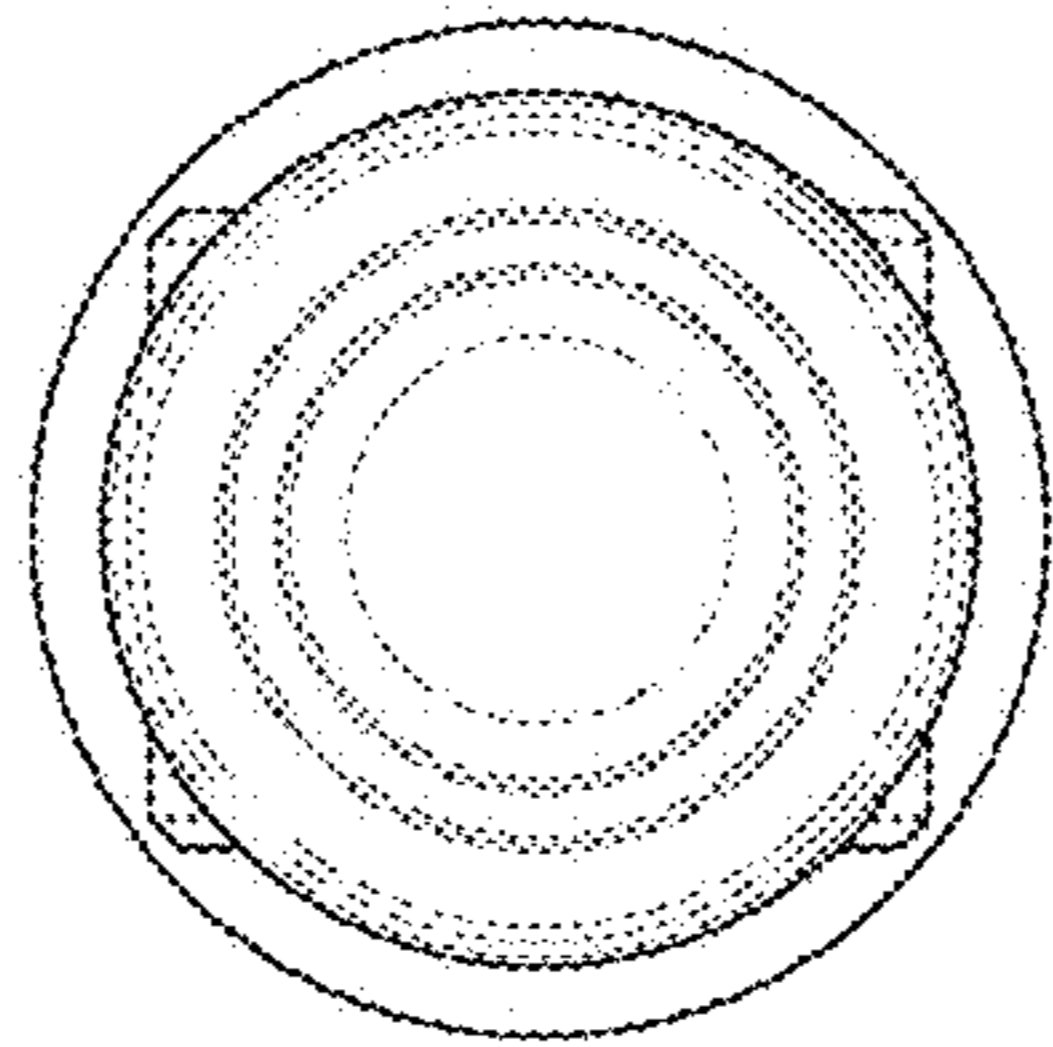


Fig. 3

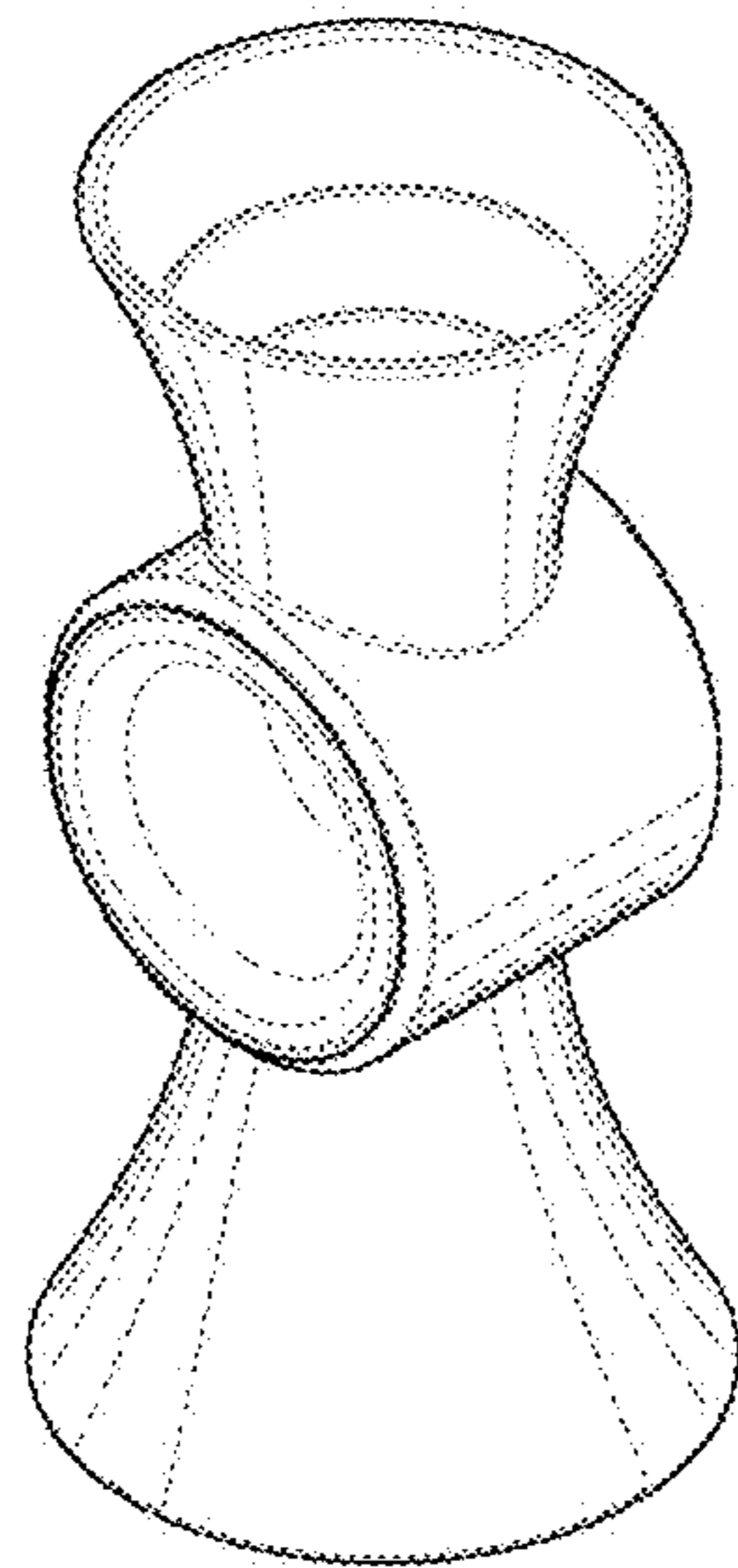


Fig. 4