



US00D787957S

(12) **United States Design Patent**
Tsengas

(10) **Patent No.:** **US D787,957 S**

(45) **Date of Patent:** **** May 30, 2017**

(54) **MEASURING SCOOP**

(71) Applicant: **OurPet's Company**, Fairport Harbor, OH (US)

(72) Inventor: **Steven Tsengas**, Fairport Harbor, OH (US)

(73) Assignee: **OURPET'S COMPANY**, Fairport Harbor, OH (US)

(**) Term: **15 Years**

(21) Appl. No.: **29/548,403**

(22) Filed: **Dec. 14, 2015**

(51) **LOC (10) Cl.** **10-04**

(52) **U.S. Cl.**
USPC **D10/46.2**

(58) **Field of Classification Search**
USPC D10/46.2, 46.3; D7/691, 397, 398, 700, D7/507, 512; D32/35; D8/10; D24/116; D30/121, 129, 130, 199, 162; 73/426, 73/429, 427

CPC G01F 19/002; G01F 19/00; A47J 2203/00; A61J 7/0023; A61J 7/0046
See application file for complete search history.

(56) **References Cited**

U.S. PATENT DOCUMENTS

- 2,165,642 A * 7/1939 Mayer G01F 19/002
73/429
- 2,747,410 A * 5/1956 Dubin G01F 19/002
73/429
- 3,490,290 A * 1/1970 Bilson G01F 19/00
141/345

- D257,551 S * 11/1980 Nadle D10/46.2
- D339,991 S * 10/1993 Mulry D10/46.2
- D412,448 S * 8/1999 Bentson D10/46.2
- D451,652 S * 12/2001 Lewis, II D30/162
- 6,573,462 B1 * 6/2003 Shymko G01G 19/56
177/149
- D550,036 S * 9/2007 Holcomb D7/512
- D582,297 S * 12/2008 Vendl D10/46.3
- D582,798 S * 12/2008 Mantilla D10/46.3
- D598,251 S * 8/2009 Ikoma D10/46.2
- D652,746 S * 1/2012 Lee D10/46.2
- D736,043 S * 8/2015 Lee D7/691
- D755,590 S * 5/2016 Salojarvi D8/10
- 2009/0229360 A1 * 9/2009 Harvey G01F 19/00
73/427

* cited by examiner

Primary Examiner — Susan Bennett Hattan

Assistant Examiner — Brett Miller

(74) *Attorney, Agent, or Firm* — John D. Gugliotta

(57) **CLAIM**

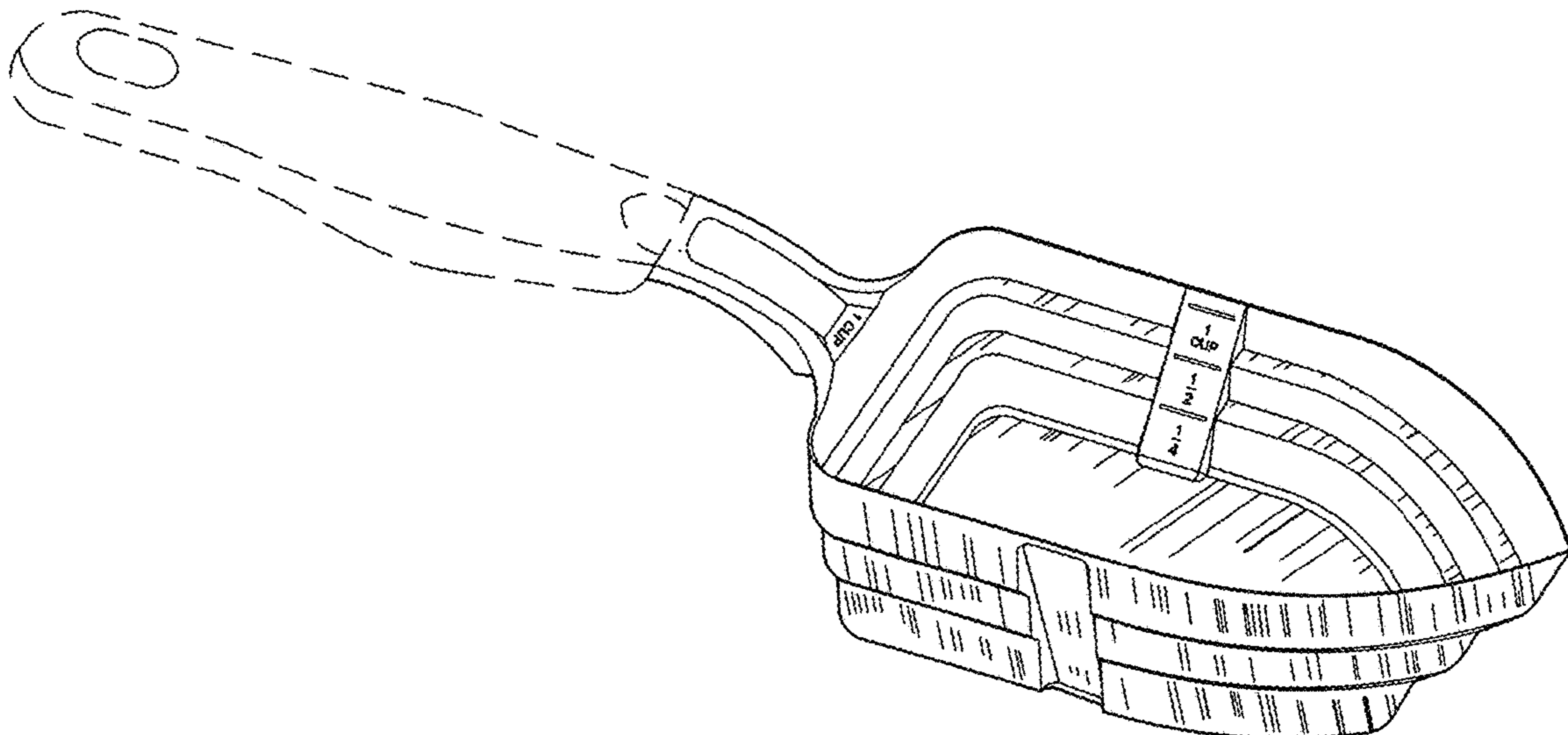
The ornamental design for a measuring scoop, as shown and described.

DESCRIPTION

FIG. 1 is a perspective view of a measuring scoop showing my new design;
FIG. 2 is a side elevational view thereof, the opposite side being a mirror image;
FIG. 3 is a bottom plan view thereof;
FIG. 4 is a top plan view thereof;
FIG. 5 is a front elevational view thereof; and,
FIG. 6 is a rear elevational view thereof.

The dashed lines throughout the figures represent a gripping handle and form no part of the claimed design.

1 Claim, 6 Drawing Sheets



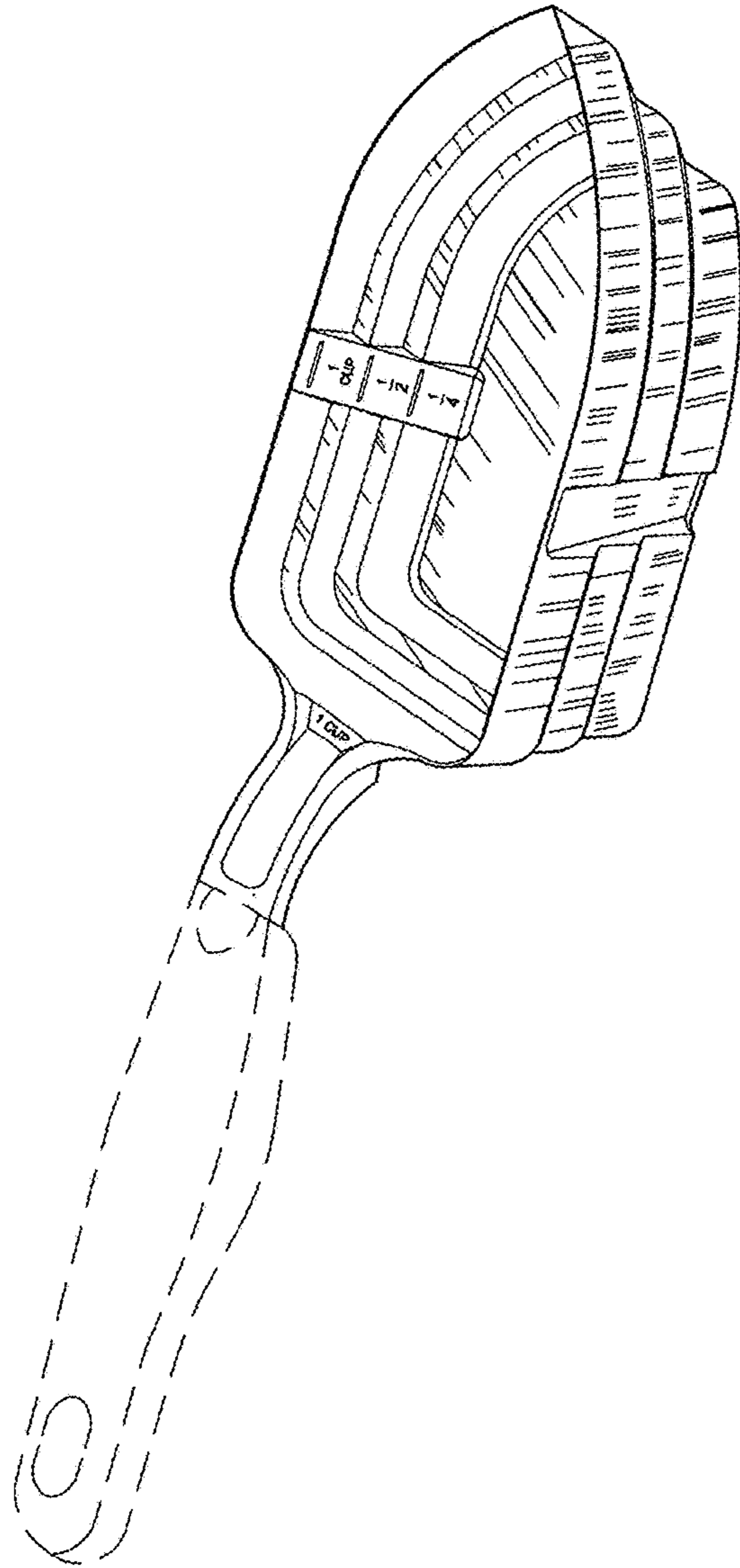


FIG.1

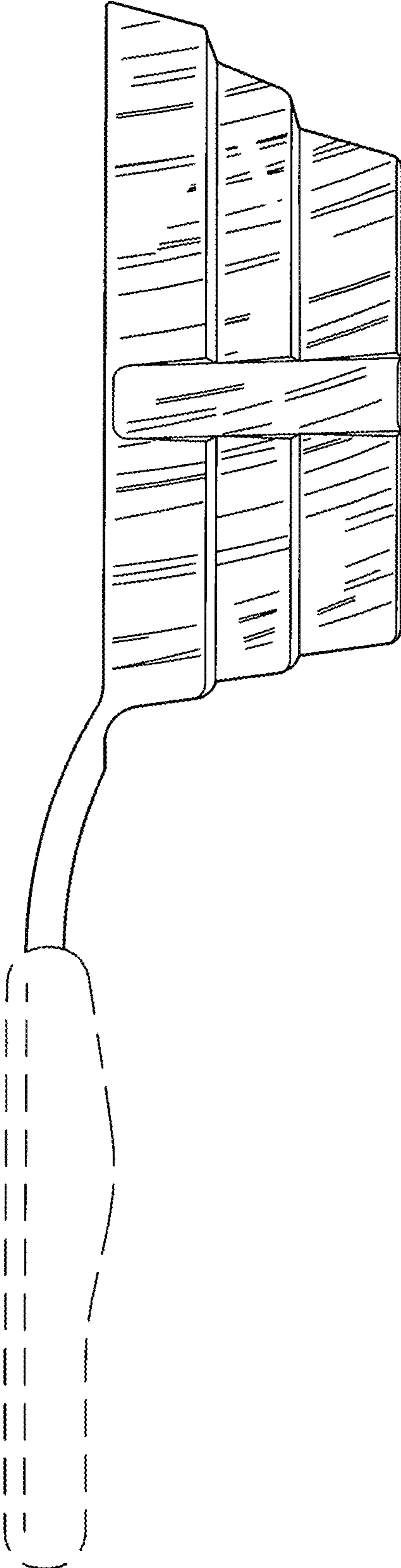


FIG. 2

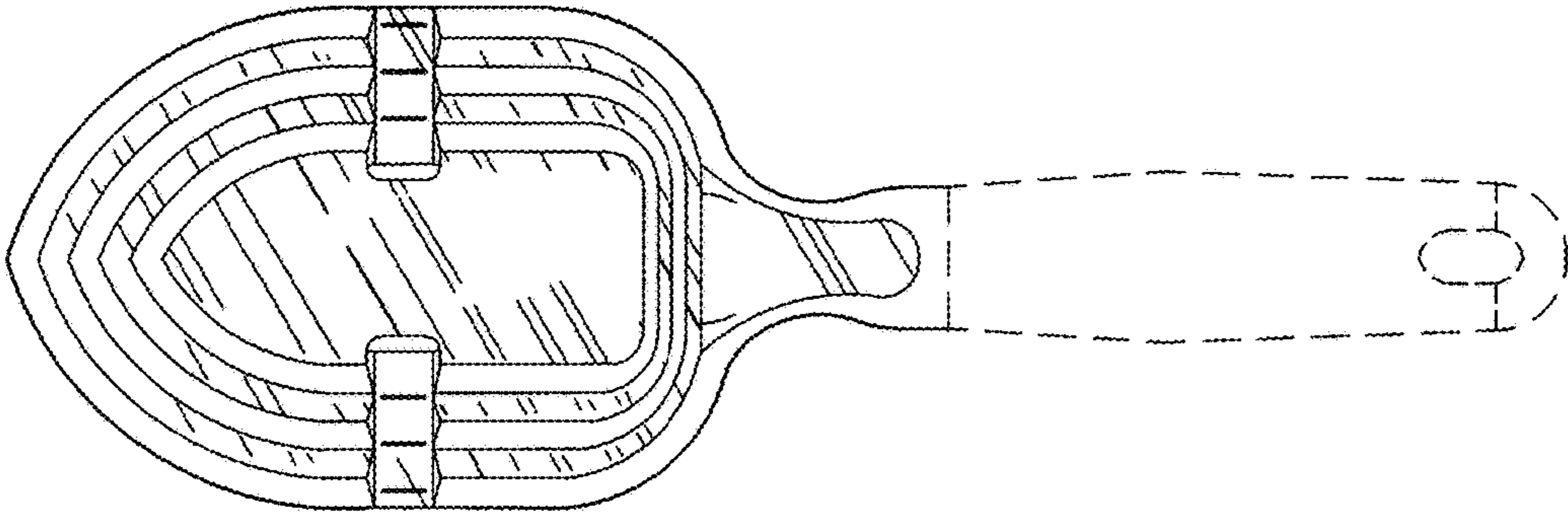


FIG. 3

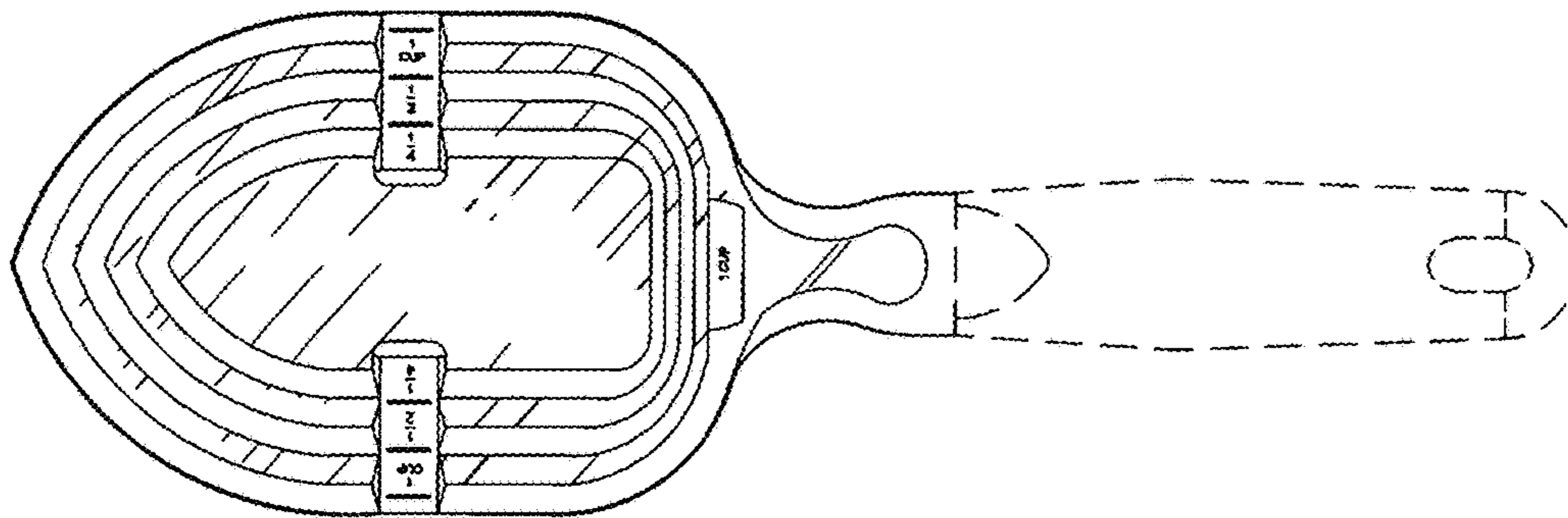


FIG. 4

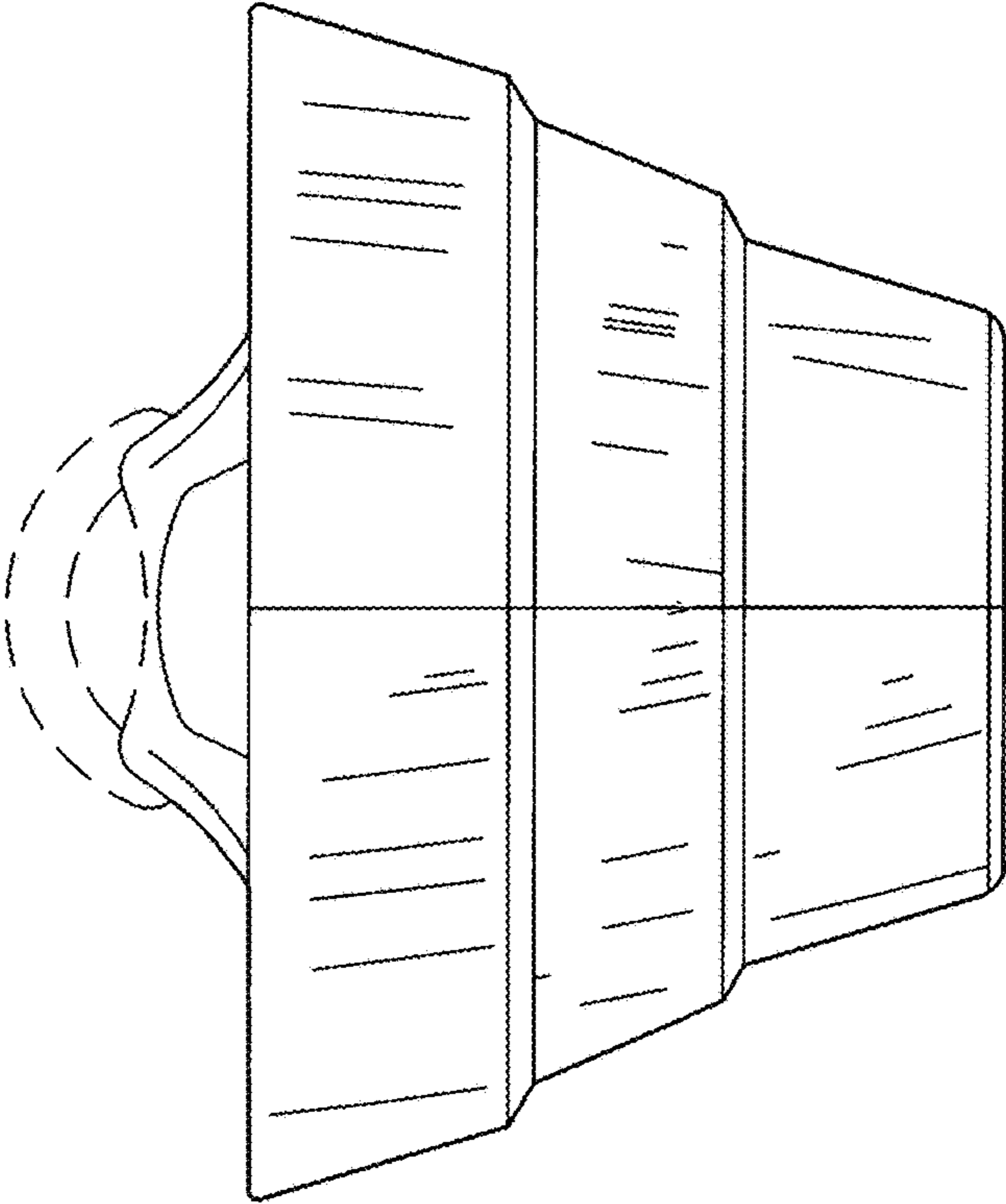


FIG. 5

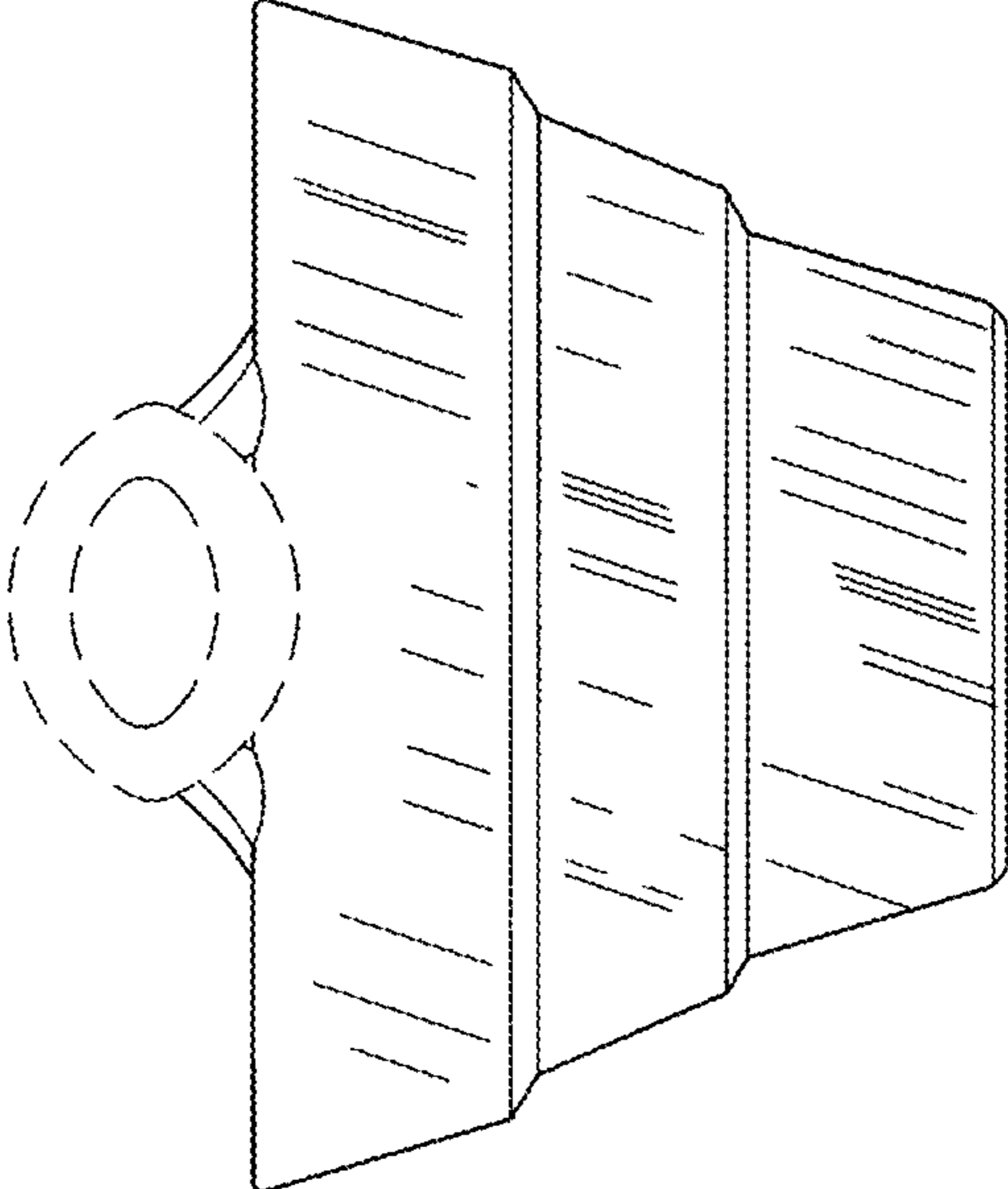


FIG. 6