



US00D787955S

(12) **United States Design Patent**
Ericksen et al.

(10) **Patent No.:** **US D787,955 S**
(45) **Date of Patent:** **** May 30, 2017**

(54) **TIMER**

(71) Applicant: **Orbit Irrigation Products, Inc.**, North Salt Lake, UT (US)

(72) Inventors: **Kent C. Ericksen**, Centerville, UT (US); **Karl L. Connolly**, Bountiful, UT (US); **Jeffrey C. Thurgood**, Severance, CO (US); **Andrew Mark Urry**, Herriman, UT (US); **Amy Marie Yamasaki**, Fruit Heights, UT (US); **Hugo Rodriguez**, South Salt Lake, UT (US)

(73) Assignee: **Orbit Irrigation Products, Inc.**, North Salt Lake, UT (US)

(**) Term: **15 Years**

(21) Appl. No.: **29/527,490**

(22) Filed: **May 19, 2015**

(51) **LOC (10) Cl.** **10-03**

(52) **U.S. Cl.**
USPC **D10/40**

(58) **Field of Classification Search**
USPC D10/2, 14, 15, 21, 24, 29, 40, 42, 46.1, D10/61, 66, 77; D23/245, 246
CPC B05B 12/02; G01F 11/30; G05D 11/00
See application file for complete search history.

(56) **References Cited**

U.S. PATENT DOCUMENTS

4,592,505	A	6/1986	Bruninga et al.	
4,858,827	A	8/1989	Fletcher et al.	
5,921,280	A	7/1999	Ericksen et al.	
6,337,635	B1	1/2002	Ericksen et al.	
D467,187	S *	12/2002	Clivio	A01G 25/165 D10/40

(Continued)

OTHER PUBLICATIONS

“Orbit 4 station sprinkler timer.” Accessed: Apr. 27, 2016. eBay.
<http://www.ebay.com/itm/orbit-4-station-sprinkler-timer-with->

easy-set-logic- 91894/272210039846?_trksid=p2047675.c100011.m1850&_trkparms=aid%3D222007%26algo%3DSIC.MBE%26ao%3D1%26asc%3D36499%26meid%3D592c830b920a47159decaa783117de24%26pid%3D100011%26rk%3D2%26rkt%3D10%26sd%3D221468572380.*

(Continued)

Primary Examiner — Manpreet Matharu

Assistant Examiner — Suzanne Tisdell

(74) *Attorney, Agent, or Firm* — Austin Rapp & Hardman

(57) **CLAIM**

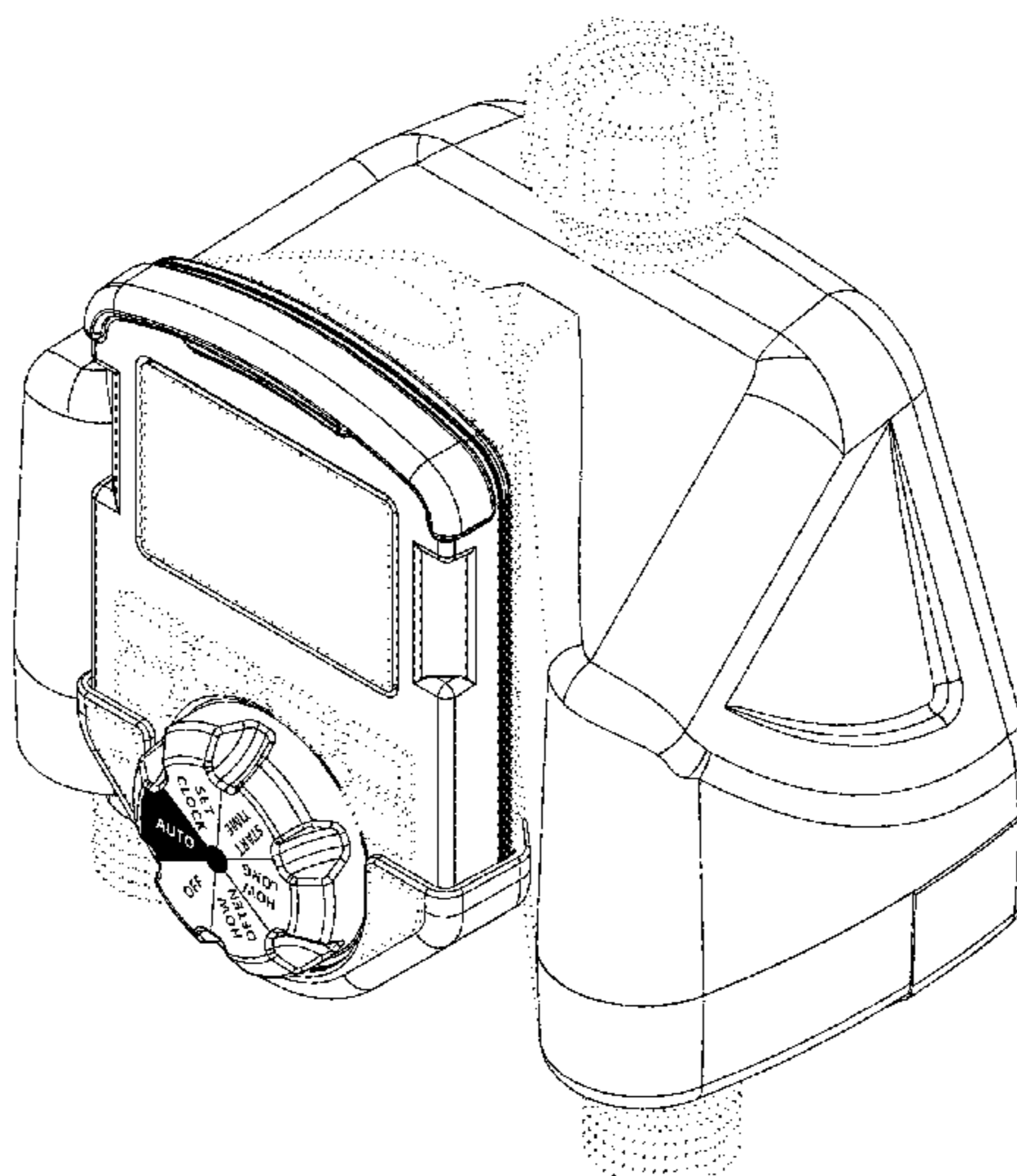
The ornamental design for a timer, as shown and described.

DESCRIPTION

FIG. 1 is an elevated front perspective view of a timer, according to our new design;
FIG. 2 is an elevated rear perspective view of the timer shown in FIG. 1;
FIG. 3 is a front view of the timer shown in FIG. 1;
FIG. 4 is a rear view of the timer shown in FIG. 1;
FIG. 5 is a top view of the timer shown in FIG. 1;
FIG. 6 is a bottom view of the timer shown in FIG. 1;
FIG. 7 is a first side view of the timer shown in FIG. 1;
FIG. 8 is a second side view of the timer shown in FIG. 1;
FIG. 9 is a front view of the timer shown in FIG. 1 in a first alternative position;
FIG. 10 is a front view of the timer shown in FIG. 1 in a second alternative position;
FIG. 11 is a front view of the timer shown in FIG. 1 in a third alternative position;
FIG. 12 is a front view of the timer shown in FIG. 1 in a fourth alternative position; and,
FIG. 13 is a front view of the timer shown in FIG. 1 in a fifth alternative position.

The portions of the figures shown in broken lines are unclaimed. Any empty region surrounded by broken lines is also unclaimed, inclusive of the broken line itself.

1 Claim, 13 Drawing Sheets



(56)

References Cited

U.S. PATENT DOCUMENTS

D485,502	S *	1/2004	Clivio	D10/40
D494,074	S *	8/2004	Ishii	D10/50
6,932,277	B1	8/2005	Ericksen et al.	
7,203,576	B1	4/2007	Wilson et al.	
D558,075	S *	12/2007	Ishii	D10/66
D575,168	S *	8/2008	King	D10/42
D587,141	S *	2/2009	King	D10/42
D605,959	S *	12/2009	Apotheloz	D10/66
8,104,509	B2	1/2012	Leer et al.	
D656,046	S *	3/2012	MacKay	D10/42
D658,519	S	5/2012	Connolly et al.	
D659,029	S	5/2012	Connolly et al.	
D691,243	S *	10/2013	Meyer	D23/245
D702,566	S *	4/2014	Chandran	D10/10
D723,953	S *	3/2015	Ishii	D10/66
8,998,117	B2	4/2015	Bauman et al.	
D747,983	S *	1/2016	Salama	D10/42
D778,738	S	2/2017	Ericksen et al.	
D779,343	S	2/2017	Ericksen et al.	
9,581,264	B1	2/2017	Ericksen et al.	
2002/0066878	A1 *	6/2002	Wang	A01G 25/165 251/249
2006/0011243	A1 *	1/2006	Jacobs	F16K 31/48 137/624.11
2009/0008471	A1	1/2009	Wilson	
2009/0008472	A1	1/2009	Wilson	
2010/0163126	A1 *	7/2010	Leer	A01G 25/165 137/624.11
2010/0198418	A1	8/2010	Williams et al.	
2015/0061546	A1 *	3/2015	Stack	G04G 15/006 315/360

OTHER PUBLICATIONS

“Orbit 6 station sprinkler timer.” Accessed: Apr. 27, 2016. jet. https://jet.com/product/6-STATION-REMOTE-TIMER-28566/15788375494f4ba7aeded8313fb2ff7d.*
 U.S. Appl. No. 29/527,487, filed May 19, 2015, Ericksen et al.
 U.S. Appl. No. 29/527,488, filed May 19, 2015, Ericksen et al.
 U.S. Appl. No. 14/719,277, filed May 21, 2015, Ericksen et al.
 Orbit Irrigation Products, Inc., The product(s) shown in attachment 1 were sold or offered for sale at least by Nov. 2008.
 Nelson (brand name), The product(s) shown in attachment 2 were apparently sold or offered for sale at least by Mar. 19, 2013.
 Melnor, Inc., The product(s) shown in attachment 3 were apparently sold or offered for sale at least by Mar. 19, 2013.
 Melnor, Inc., AquaTimers, Web page [online] [retrieved on Jun. 17, 2013], apparently published on or before Feb. 10, 2012, Retrieved from the Internet: <URL: web.archive.org/web/20120210191541/http://www.melnor.com/productsaquatimers.php> (shown in attachment 4).
 Melnor, Inc., AquaTimers, Web page [online] [retrieved on Jun. 17, 2013], apparently published on or before Jun. 24, 2012, Retrieved from the Internet: <URL: web.archive.org/web/20120624233645/http://www.melnor.com/products-aquatimers.php> (shown in attachment 5).

Nelson (brand name), Water Timers, Web page [online] [retrieved on Jun. 17, 2013], apparently published on or before Mar. 27, 2012, Retrieved from the Internet: <URL: web.archive.org/web/20120327000229/http://www.lrnelson.com/products/water-conservation2/water-timers/> (shown in attachment 6).
 Nelson (brand name), Water Timers, Web page [online] [retrieved on Jun. 17, 2013], apparently published on or before Jul. 9, 2012, Retrieved from the Internet: <URL: web.archive.org/web/20120709203520/http://www.lrnelson.com/products/water-conservation2/water-timers/> (shown in attachment 7).
 Rain Bird Corporation, the product shown in attachment 8 was apparently sold or offered for sale at least by Mar. 19, 2012.
 Orbit Irrigation Products, Inc., the product(s) shown in attachment 9 were sold or offered for sale at least by Mar. 19, 2012.
 Office Action, U.S. Appl. No. 29/527,487, Mailed on May 9, 2016 (shown in attachment 10).
 Office Action Response, U.S. Appl. No. 29/527,487, Dated on Aug. 9, 2016 (shown in attachment 11).
 Terminal Disclaimer, U.S. Appl. No. 29/527,487, Dated on Aug. 9, 2016 (shown in attachment 12).
 Office Action, U.S. Appl. No. 29/527,488, Mailed on May 10, 2016 (shown in attachment 13).
 Office Action Response, U.S. Appl. No. 29/527,488, Dated on Aug. 9, 2016 (shown in attachment 14).
 Terminal Disclaimer, U.S. Appl. No. 29/527,488, Dated on Aug. 10, 2016 (shown in attachment 15).
 Notice of Allowance and Fee(s) Due (including a Notice of Allowability for a Design Application section, and an Examiner’s Comment section), U.S. Appl. No. 29/527,487, Mailed on Sep. 13, 2016 (shown in attachment 16).
 Notice of Allowance and Fee(s) Due (including a Notice of Allowability for a Design Application section, and an Examiner’s Comment section), U.S. Appl. No. 29/527,488, Mailed on Sep. 12, 2016 (shown in attachment 17).
 Preliminary Amendment, U.S. Appl. No. 14/719,277, Dated on Sep. 27, 2016 (shown in attachment 18).
 Notice of Allowance and Fee(s) Due (including a Notice of Allowability section, an Allowance Response to Preliminary Amendment section, an information Disclosure Statement section, an Election/Restrictions section, an Election without Traverse section, an Examiner’s Amendment section, and an Allowable Subject Matter section), U.S. Appl. No. 14/719,277, Mailed on Oct. 7, 2016 (shown in attachment 19).
 Amendment After Allowance, U.S. Appl. No. 29/527,487, Dated on Dec. 8, 2016 (shown in attachment 20).
 Issue Fee Transmittal, U.S. Appl. No. 29/527,487, Dated on Dec. 9, 2016 (shown in attachment 21).
 Amendment After Allowance, U.S. Appl. No. 29/527,488, Dated on Dec. 8, 2016 (shown in attachment 22).
 Issue Fee Transmittal, U.S. Appl. No. 29/527,488, Dated on Dec. 9, 2016 (shown in attachment 23).
 Amendment After Allowance, U.S. Appl. No. 14/719,277, Dated on Jan. 9, 2017 (shown in attachment 24).
 Issue Fee Transmittal, U.S. Appl. No. 14/719,277, Dated on Jan. 9, 2017 (shown in attachment 25).

* cited by examiner

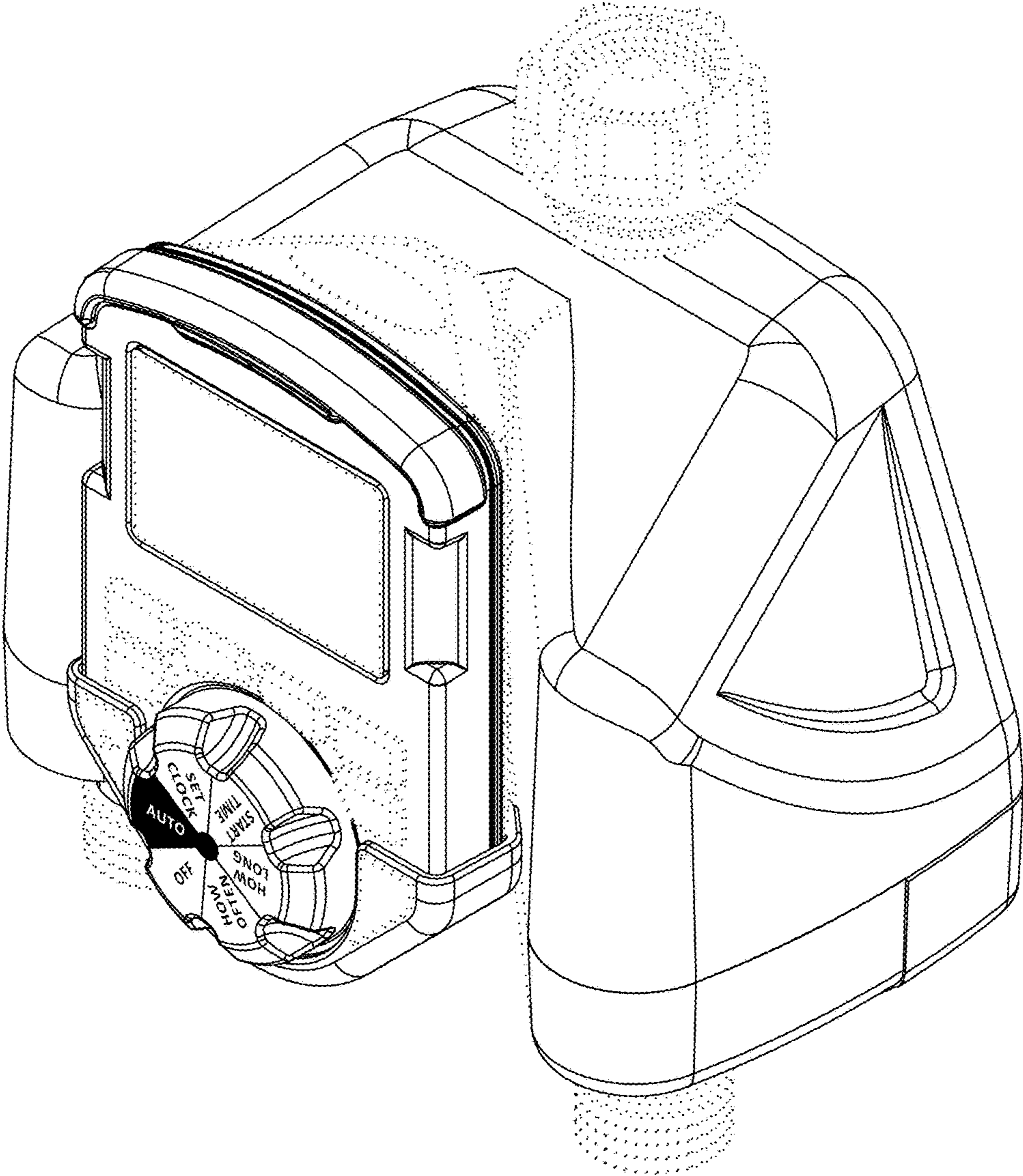


FIG. 1

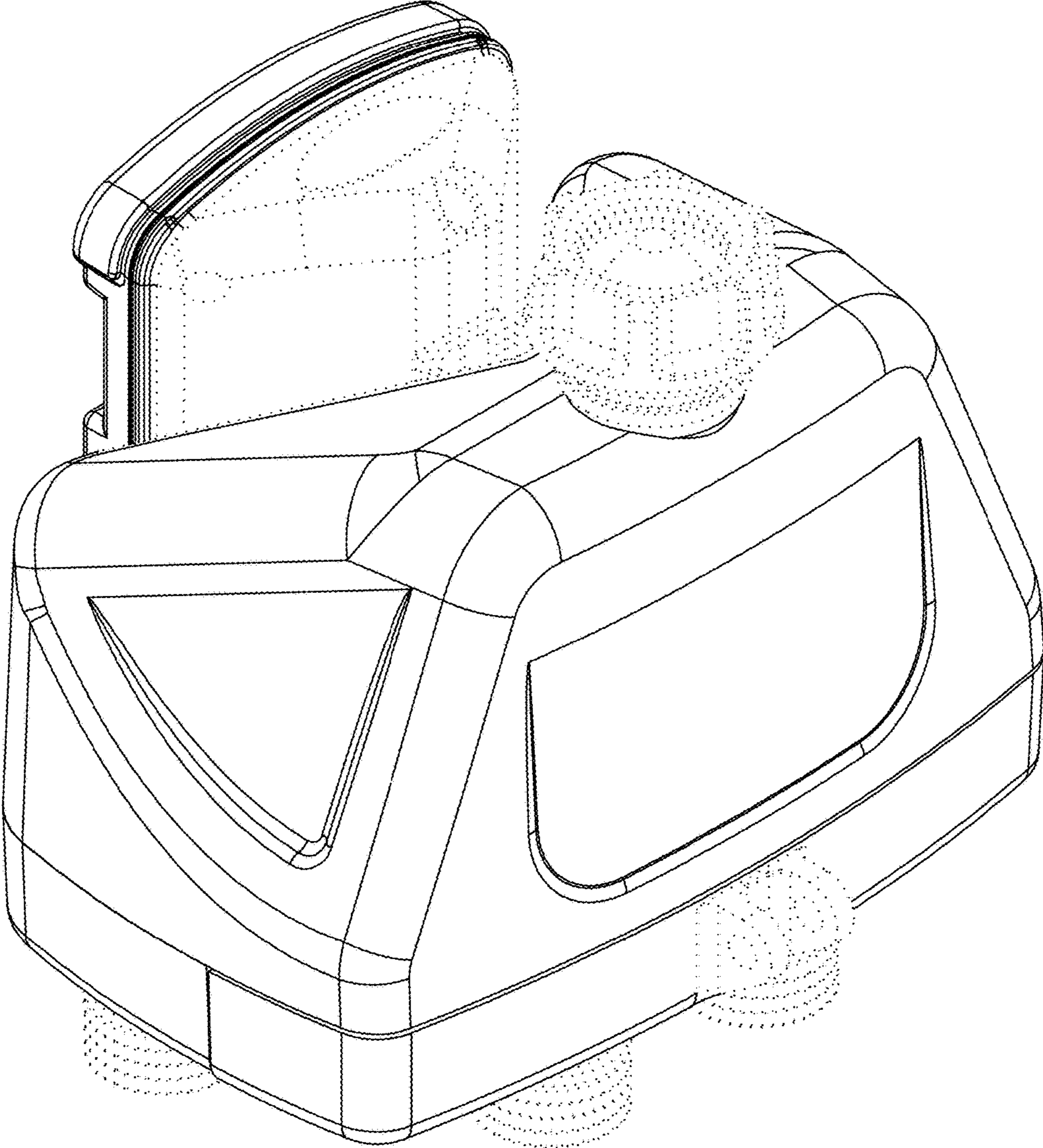


FIG. 2

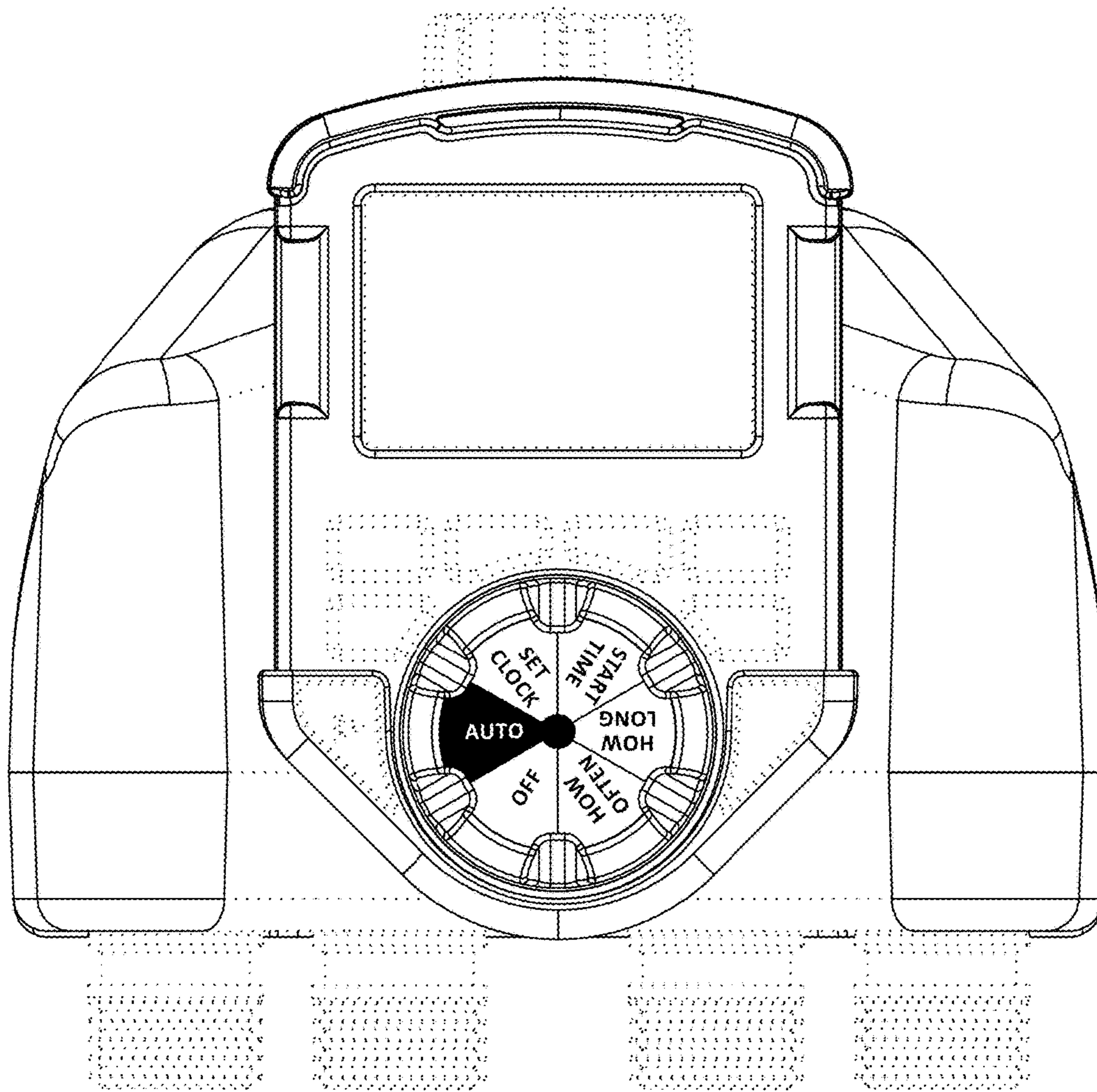


FIG. 3

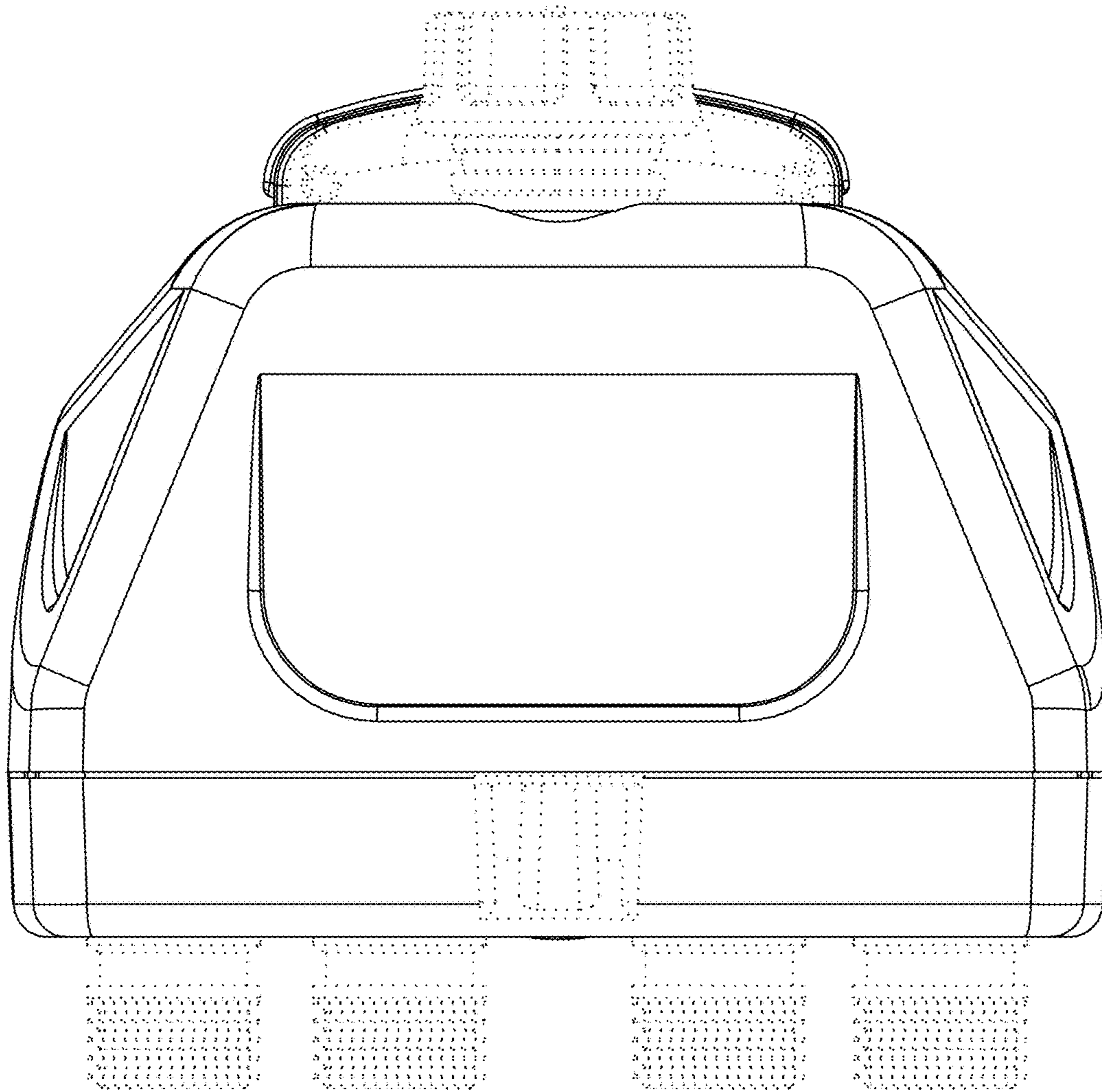


FIG. 4

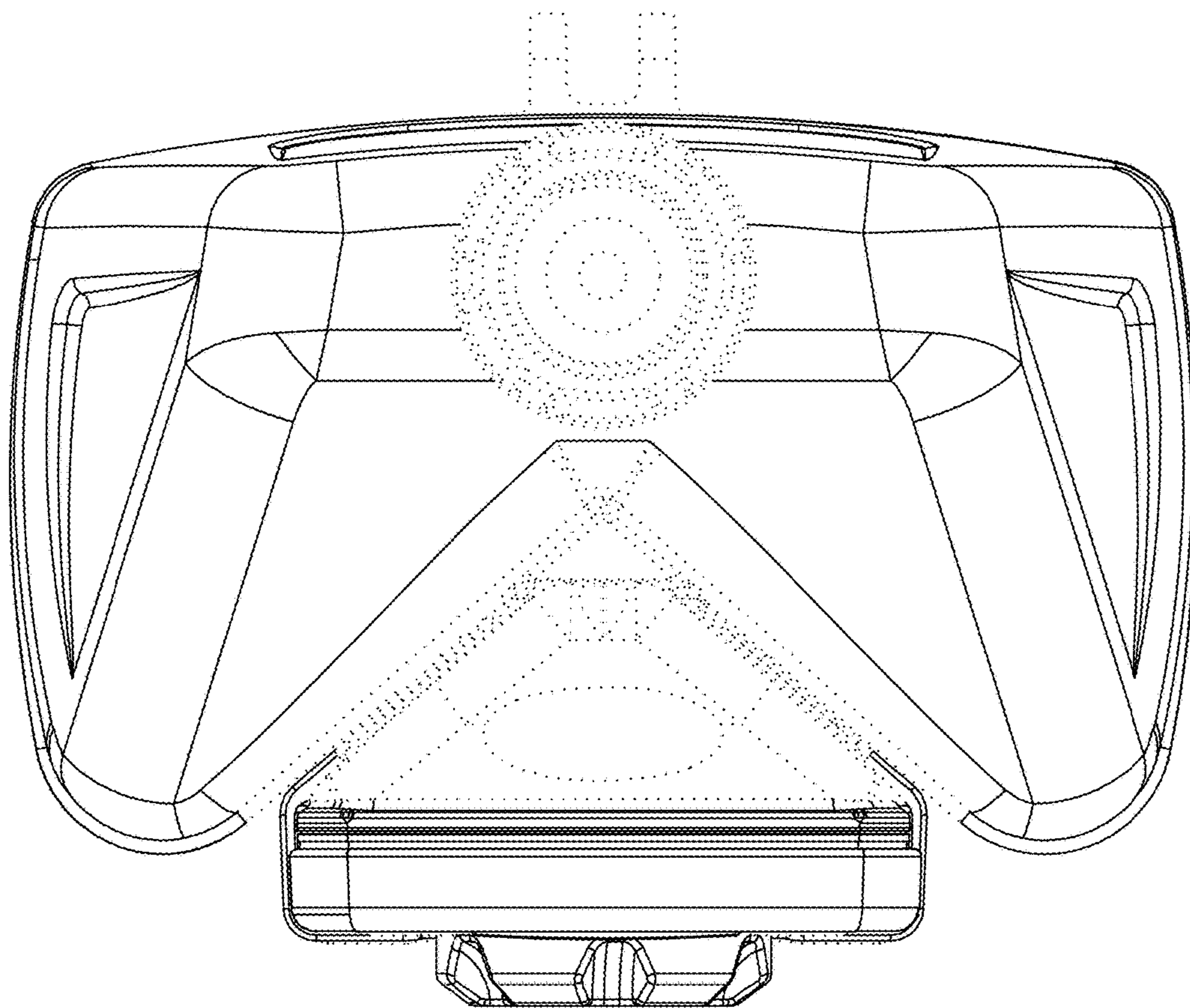


FIG. 5

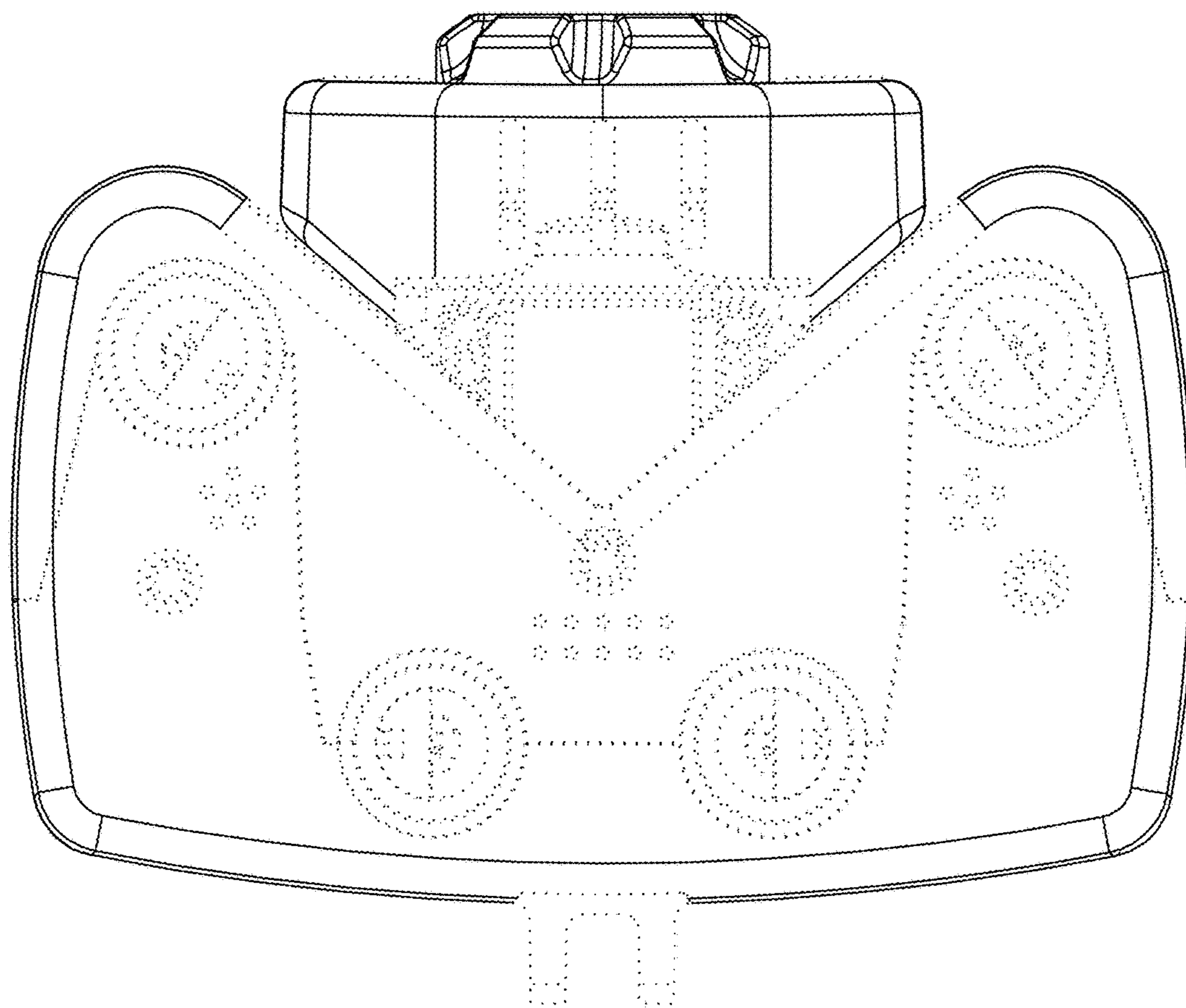


FIG. 6

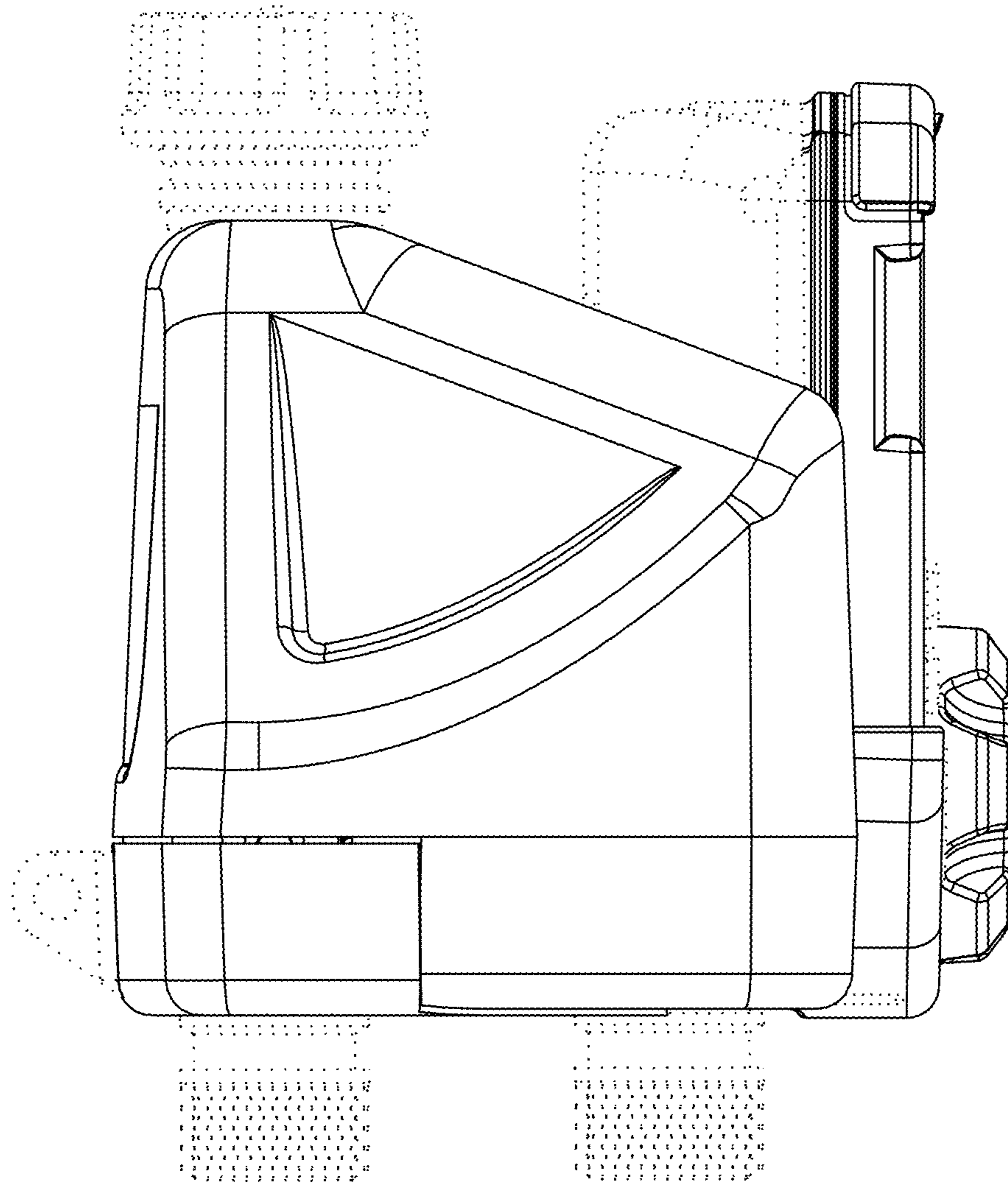


FIG. 7

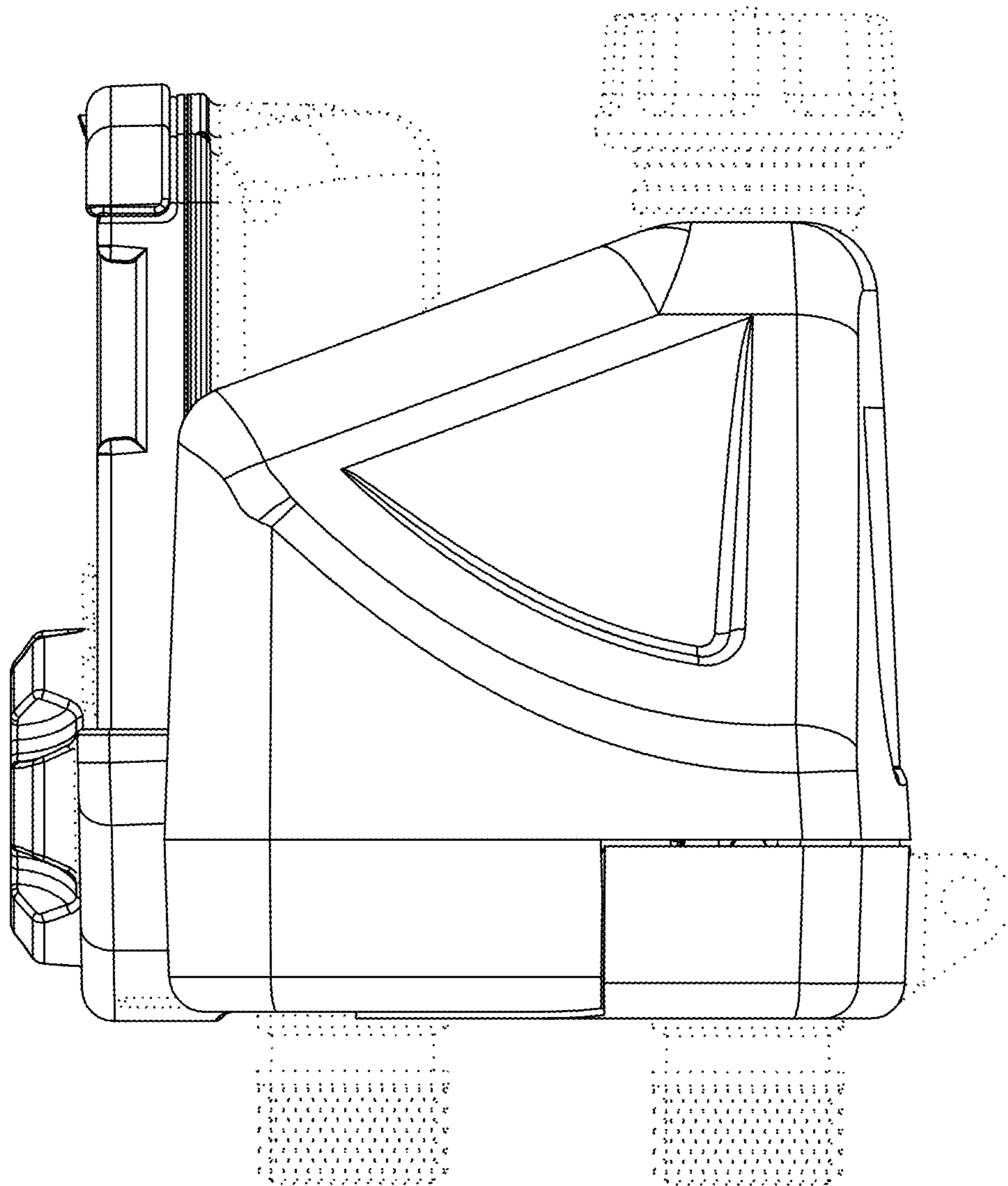


FIG. 8

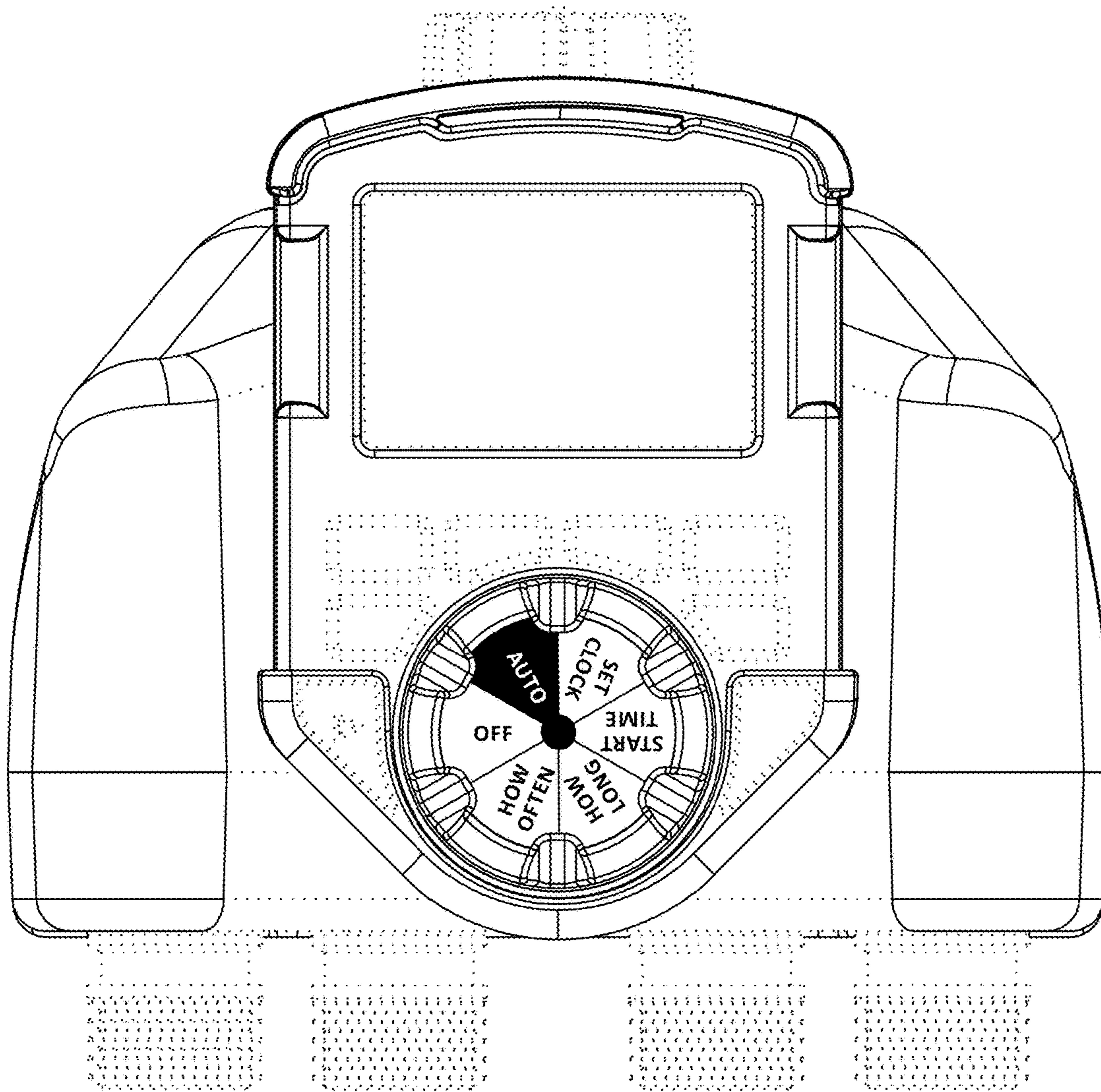


FIG. 9

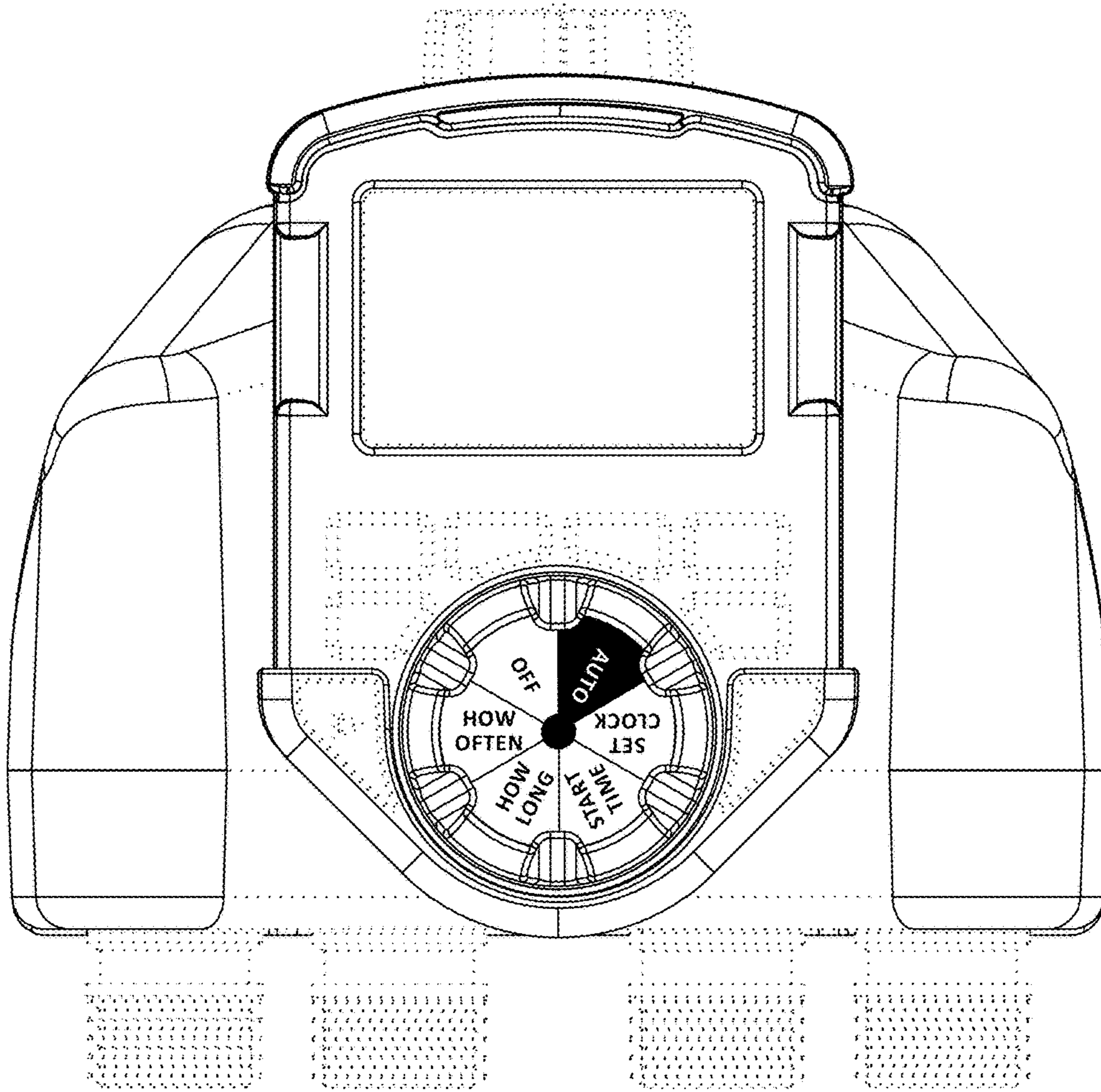


FIG. 10

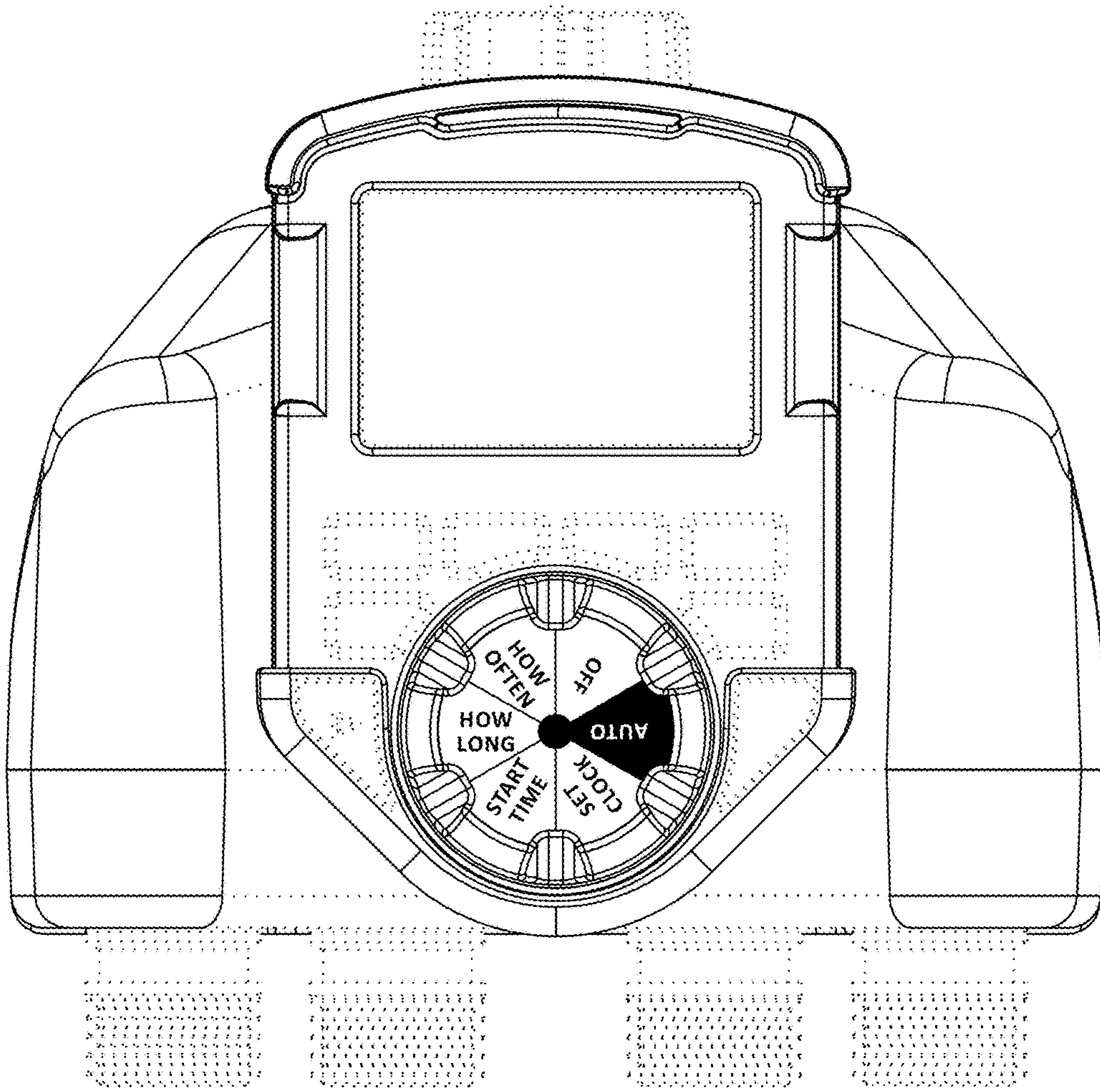


FIG. 11

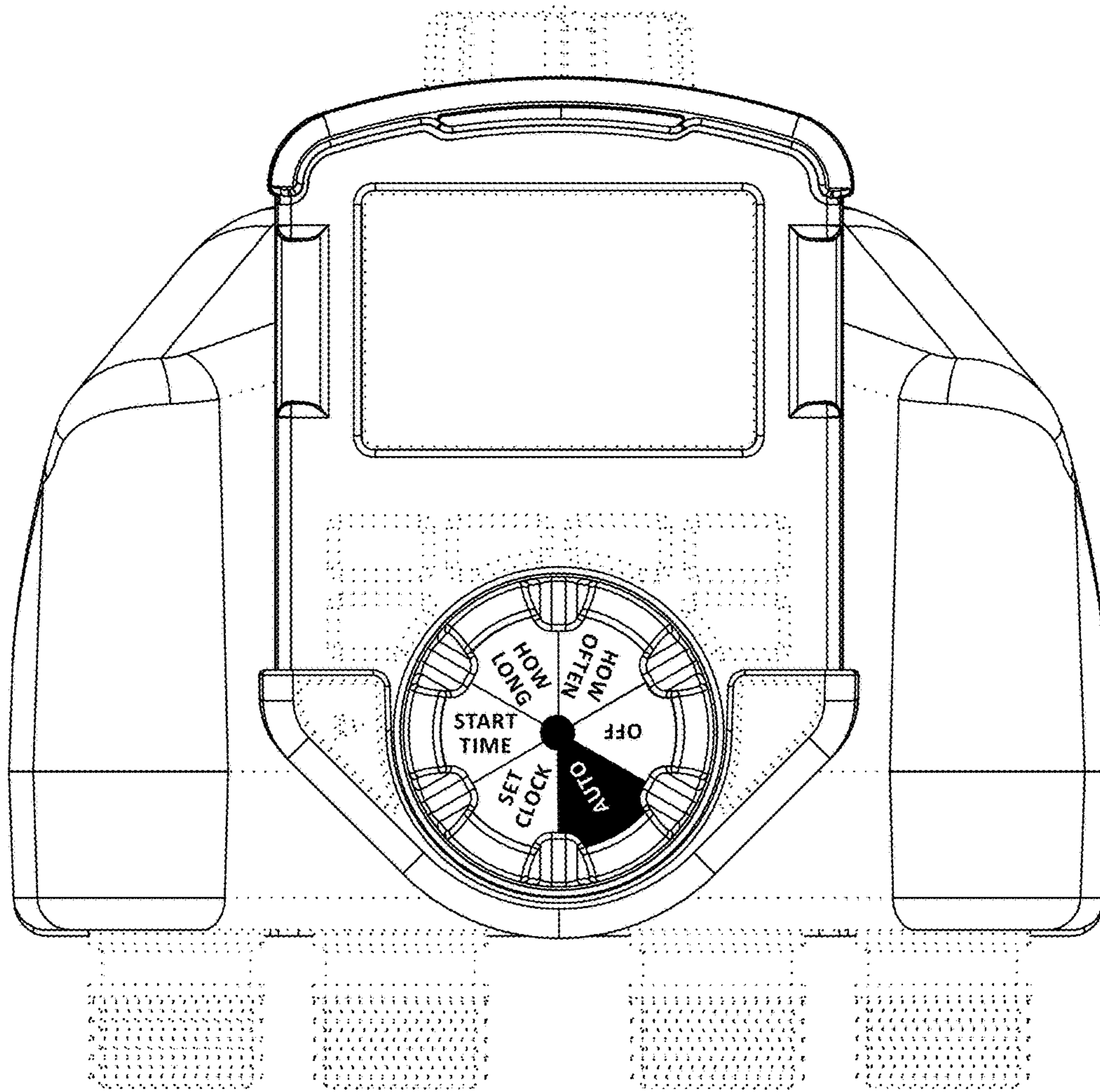


FIG. 12

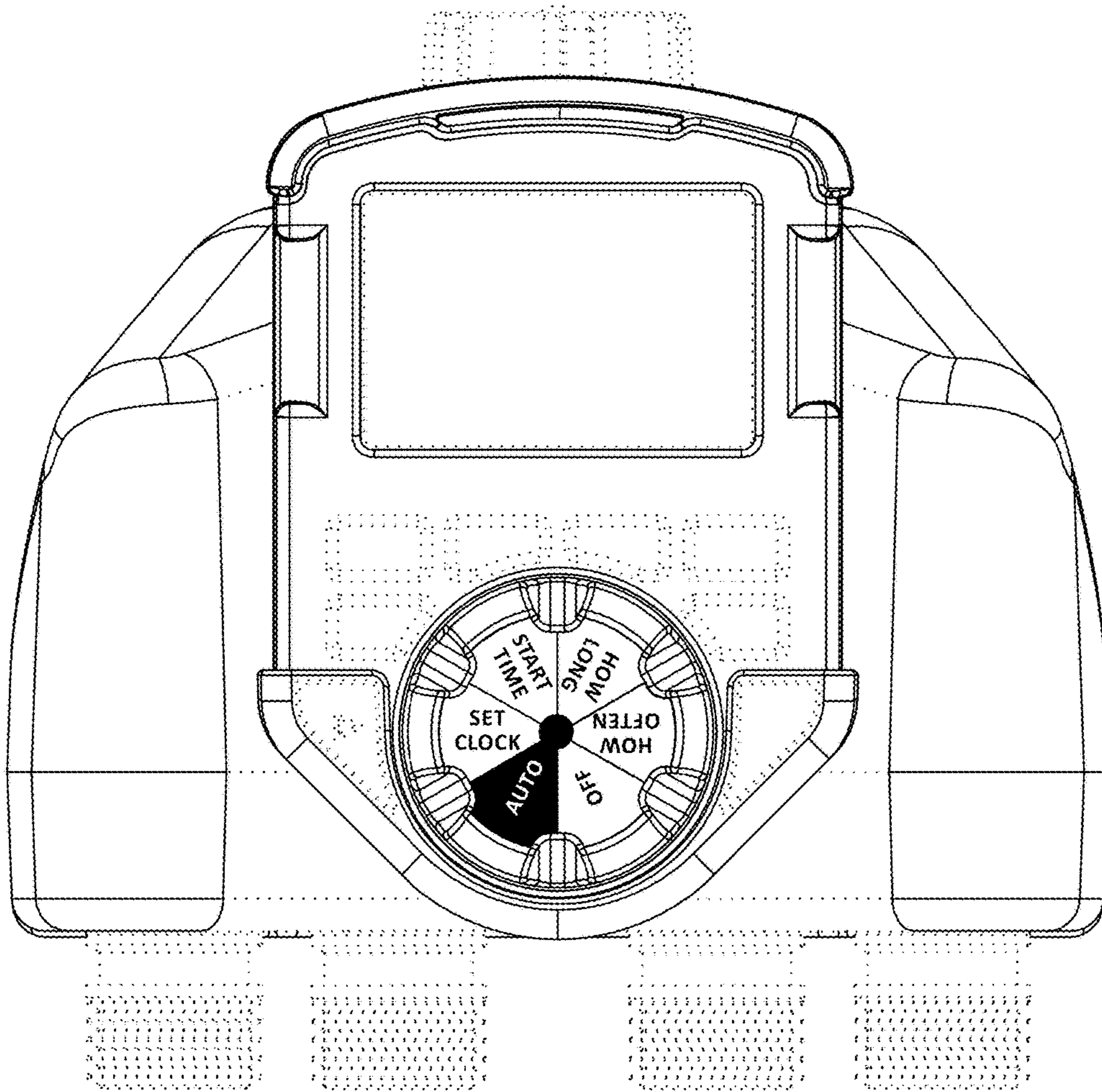


FIG. 13