



US00D787954S

(12) **United States Design Patent**
Morimoto

(10) **Patent No.:** **US D787,954 S**

(45) **Date of Patent:** **** May 30, 2017**

(54) **WEARABLE DEVICE**

(71) Applicant: **Sony Corporation**, Tokyo (JP)

(72) Inventor: **So Morimoto**, Surrey (GB)

(73) Assignee: **SONY CORPORATION**, Tokyo (JP)

(**) Term: **15 Years**

(21) Appl. No.: **29/555,735**

(22) Filed: **Feb. 24, 2016**

(30) **Foreign Application Priority Data**

Aug. 24, 2015 (JP) D 2015-018542

(51) **LOC (10) Cl.** **10-02**

(52) **U.S. Cl.**
USPC **D10/32; D10/30**

(58) **Field of Classification Search**
USPC D10/1-29, 30-39, 122-132; D14/344;
D11/3

CPC G04B 19/04; G04B 19/06; G04B 19/065;
G04B 19/23; G04B 19/08; G04B 19/10;
G04B 37/084; G04B 37/0008; G04B
37/0058; G04B 37/1486; G04B 17/08;
G04B 37/082; G04B 37/18; G04B
37/081; G04B 19/12; G04B 19/24; G04B
19/26; G04B 19/268; G04B 19/30; G04B
17/00; G04B 17/005; G04B 17/285;
G04B 45/00; G04B 45/0038; G04B
45/0069; G04B 45/0076; H04M 1/6041
See application file for complete search history.

(56) **References Cited**

U.S. PATENT DOCUMENTS

D439,861 S * 4/2001 Dumas D11/3
D447,705 S * 9/2001 Scheufele D10/39
D459,242 S * 6/2002 Wunderman D10/32
D469,363 S * 1/2003 Mittersinker D10/39

D486,078 S * 2/2004 de Baschmakoff D10/39
D517,432 S * 3/2006 Laucella D10/39
D520,384 S * 5/2006 Scheufele D10/39
D521,395 S * 5/2006 Slimane D10/32
D537,371 S * 2/2007 Belamich D10/39
D540,697 S * 4/2007 Kojima D10/32
D545,697 S * 7/2007 Martin D10/38
D568,176 S * 5/2008 Monachon D10/32
D568,769 S * 5/2008 Emch Ducommun D10/32
D574,732 S * 8/2008 Wunderman D10/32
D575,656 S * 8/2008 Scholpp D11/3
D576,509 S * 9/2008 Scholpp D11/3
D577,303 S * 9/2008 Lalo D10/122
D577,611 S * 9/2008 Lalo D10/32
D578,900 S * 10/2008 Nisembaum D10/32
D588,940 S * 3/2009 Kuchler D10/32

(Continued)

FOREIGN PATENT DOCUMENTS

JP 1488167 S 1/2014
JP 1497260 S 5/2014

Primary Examiner — Sheryl Lane

Assistant Examiner — Samantha Wood

(74) *Attorney, Agent, or Firm* — Michael Best and
Friedrich LLP

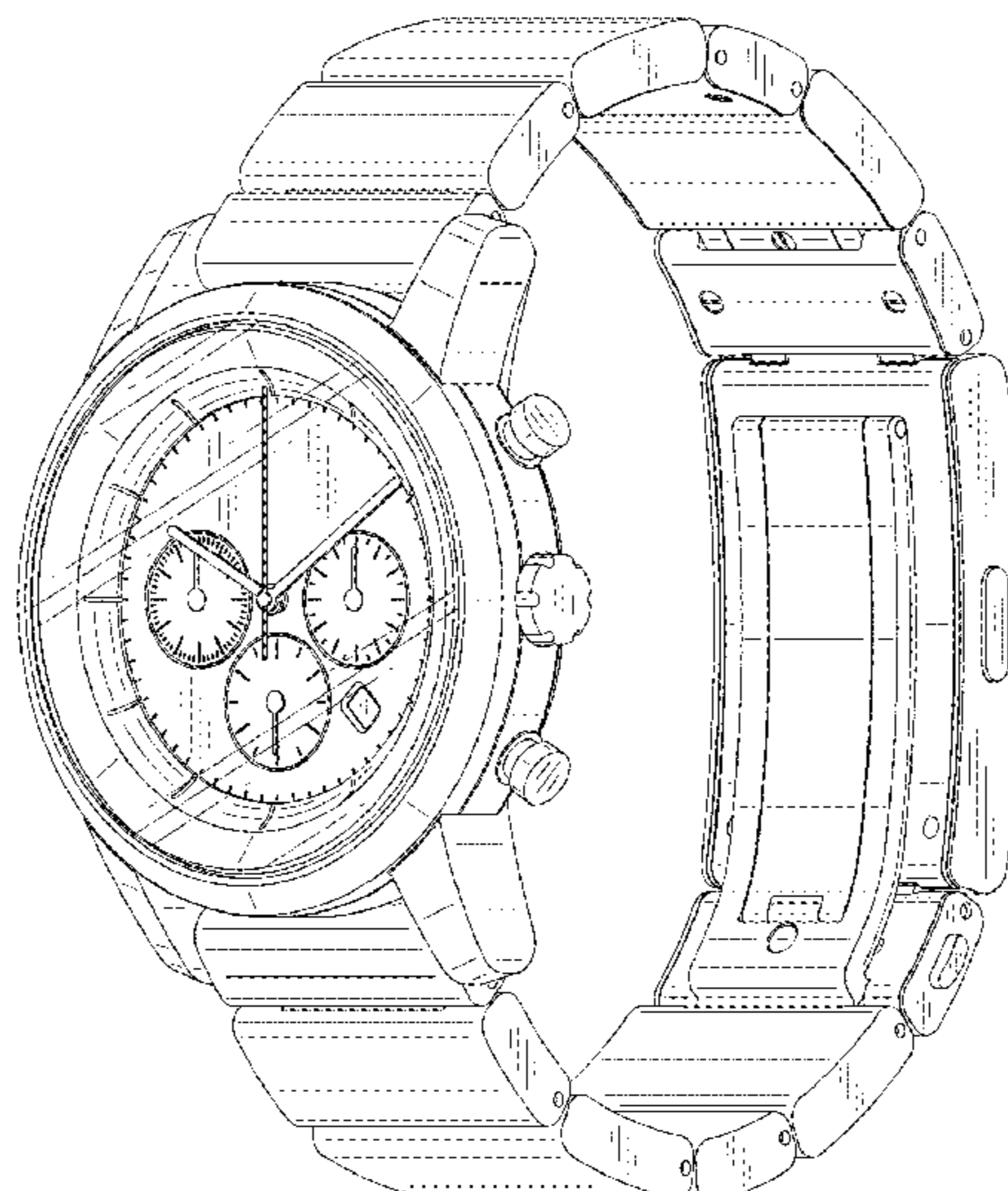
(57) **CLAIM**

The ornamental design for a wearable device, as shown and
described.

DESCRIPTION

FIG. 1 is a front, right perspective view of a wearable device
showing my new design;
FIG. 2 is a rear, left perspective view thereof;
FIG. 3 is a front elevational view thereof;
FIG. 4 is a rear elevational view thereof;
FIG. 5 is a left side elevational view thereof;
FIG. 6 is a right side elevational view thereof;
FIG. 7 is a top plan view thereof; and,
FIG. 8 is a bottom plan view thereof.

1 Claim, 8 Drawing Sheets



(56)

References Cited

U.S. PATENT DOCUMENTS

D590,274	S	*	4/2009	Monachon	D10/128
D594,351	S	*	6/2009	Tonohori	D10/32
D600,140	S	*	9/2009	Giannini	D10/32
D656,416	S	*	3/2012	Monachon	D10/39
D658,084	S	*	4/2012	Cerrato	D11/3
D703,553	S	*	4/2014	Monachon	D10/32
D705,088	S	*	5/2014	Emch	D10/39
D706,650	S	*	6/2014	Emch	D10/39
D707,570	S	*	6/2014	McCormick	D10/126
D717,668	S	*	11/2014	Sugiura	D10/32
D719,850	S	*	12/2014	Kita	D10/32
D720,240	S	*	12/2014	Takahashi	D10/39
D724,453	S	*	3/2015	Ogihara	D10/70
D736,664	S	*	8/2015	Paradise	D11/3
D738,227	S	*	9/2015	Monachon	D10/126
D749,448	S	*	2/2016	Monachon	D10/126
D773,333	S	*	12/2016	Monachon	D10/126
D774,926	S	*	12/2016	Butler	D10/38

* cited by examiner

FIG. 1

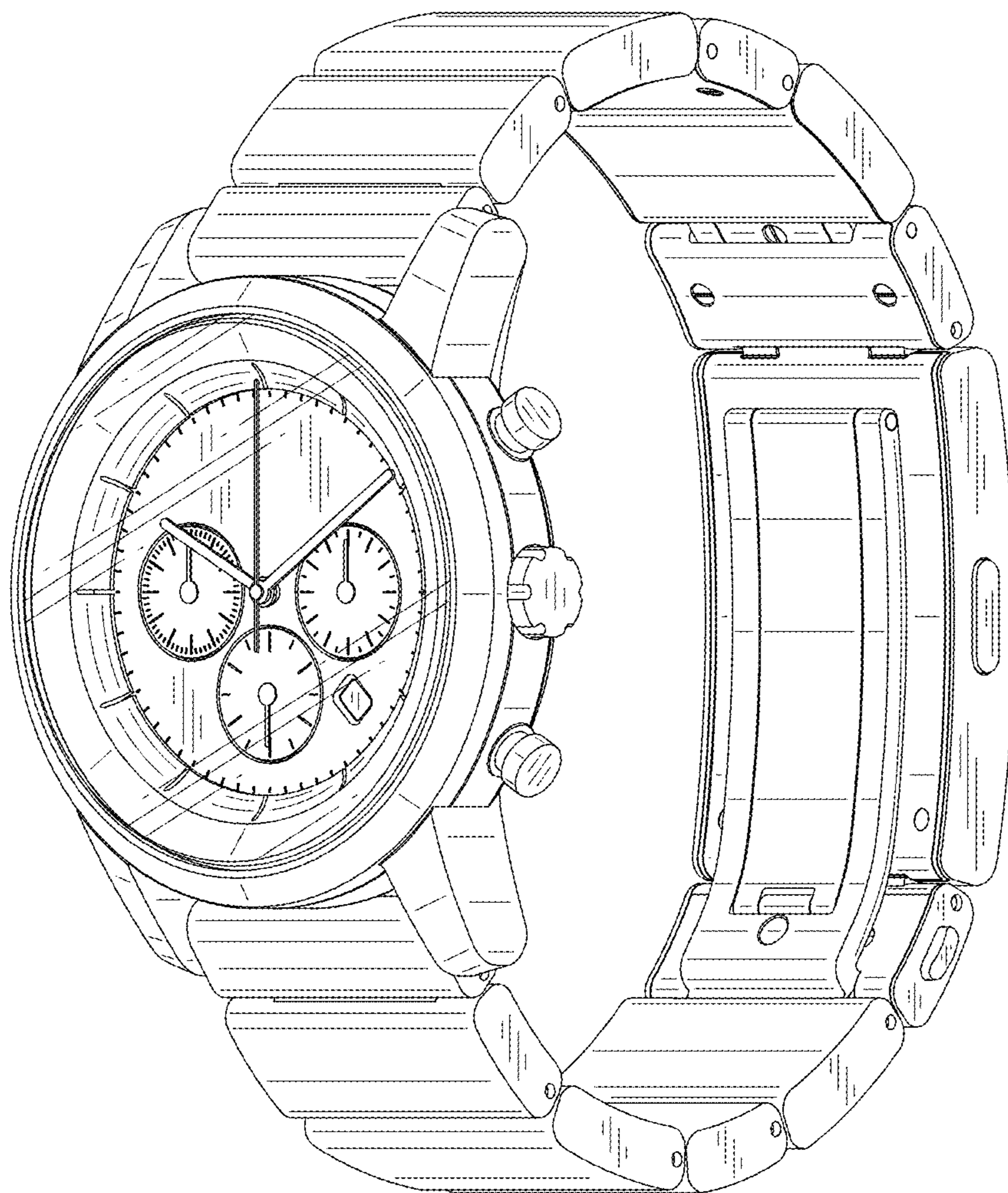


FIG.2

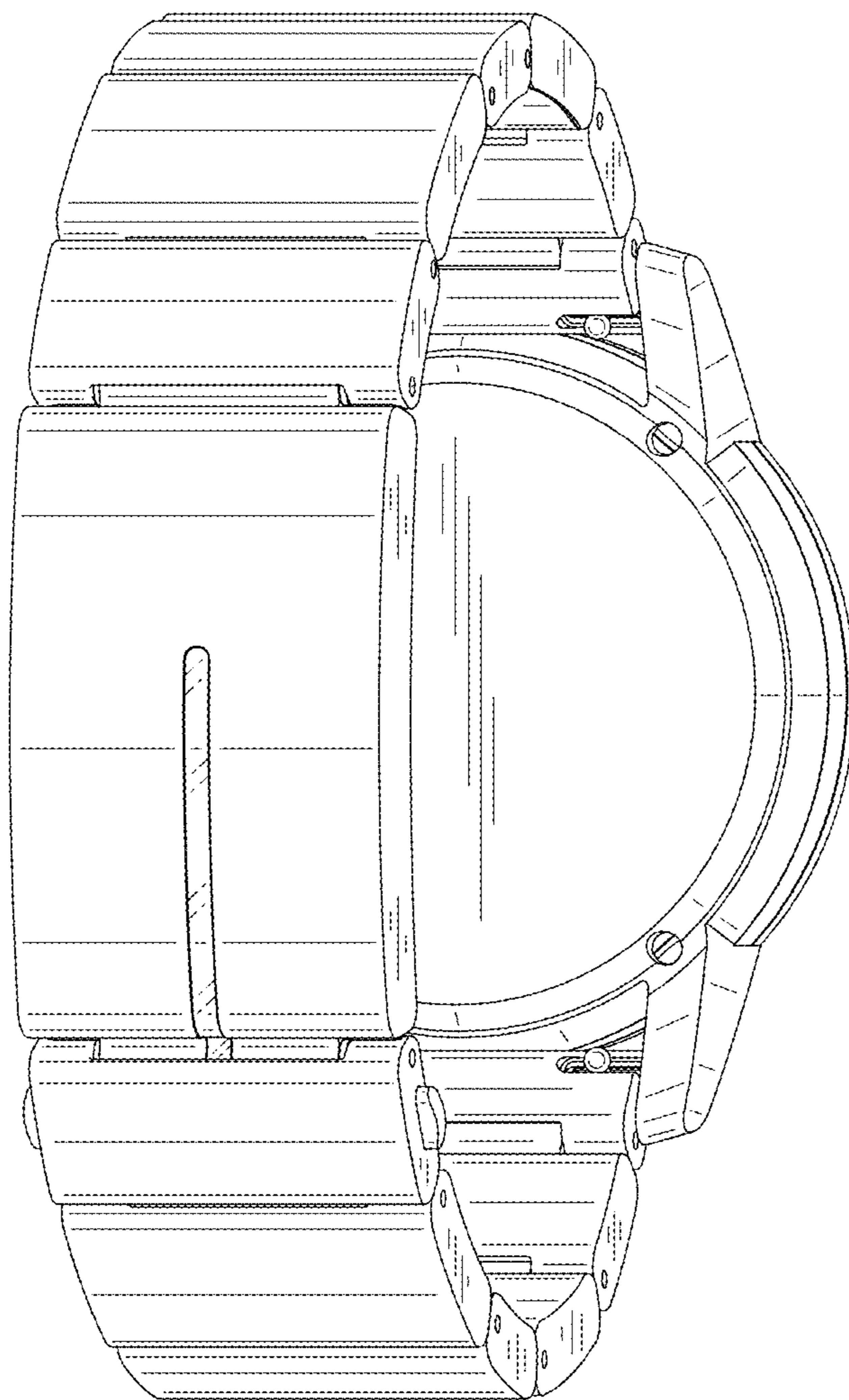


FIG.3

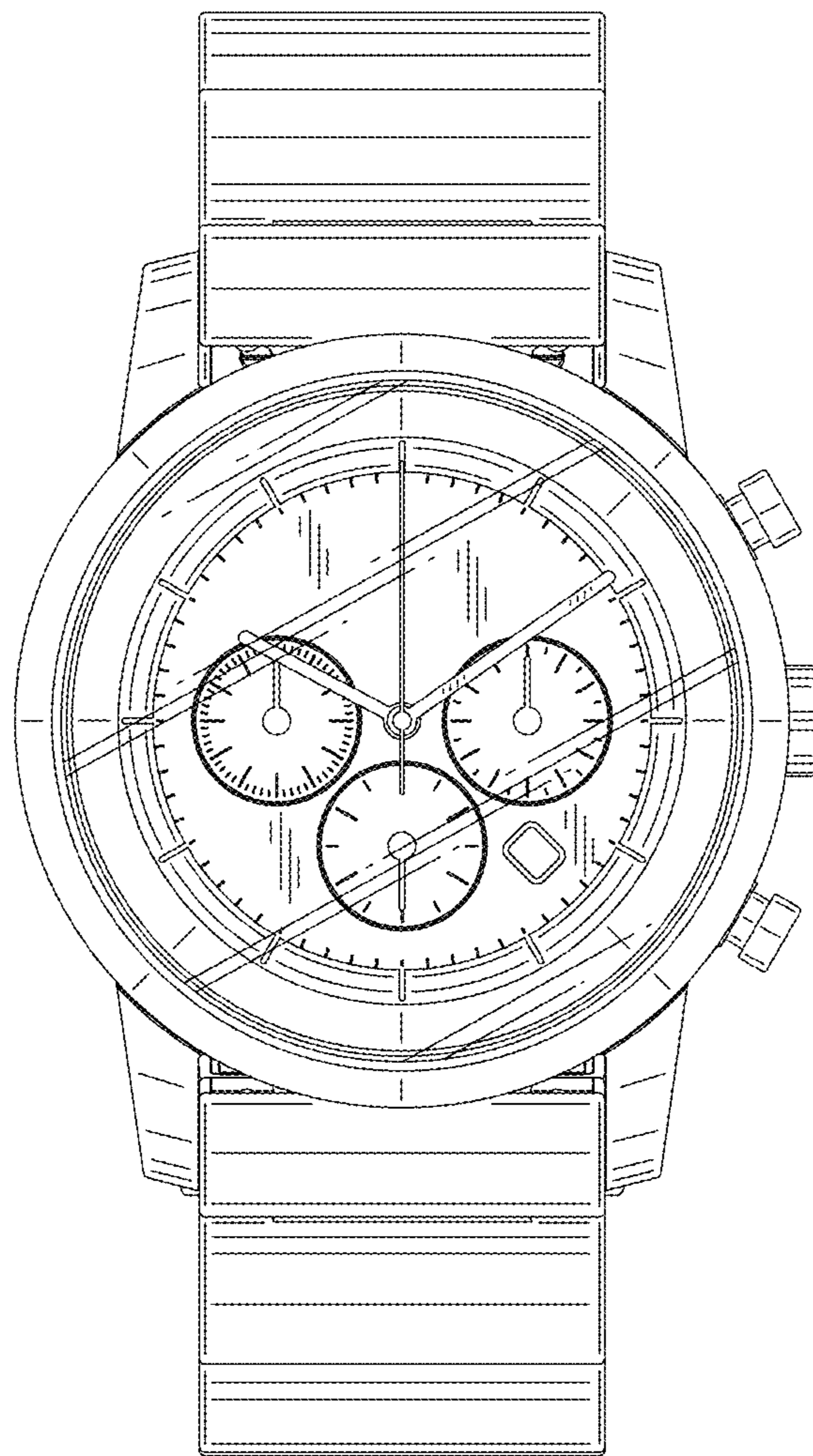


FIG.4

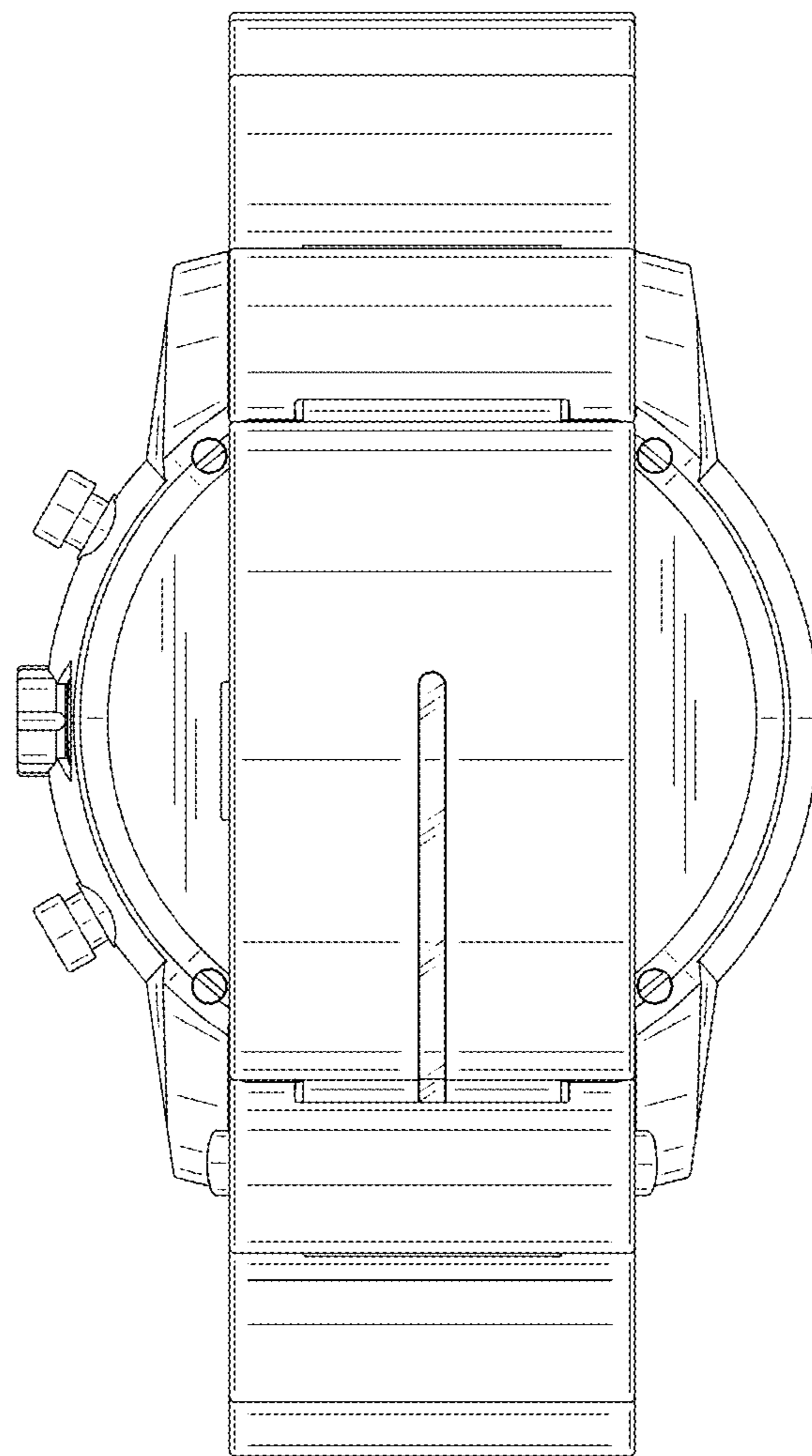


FIG.5

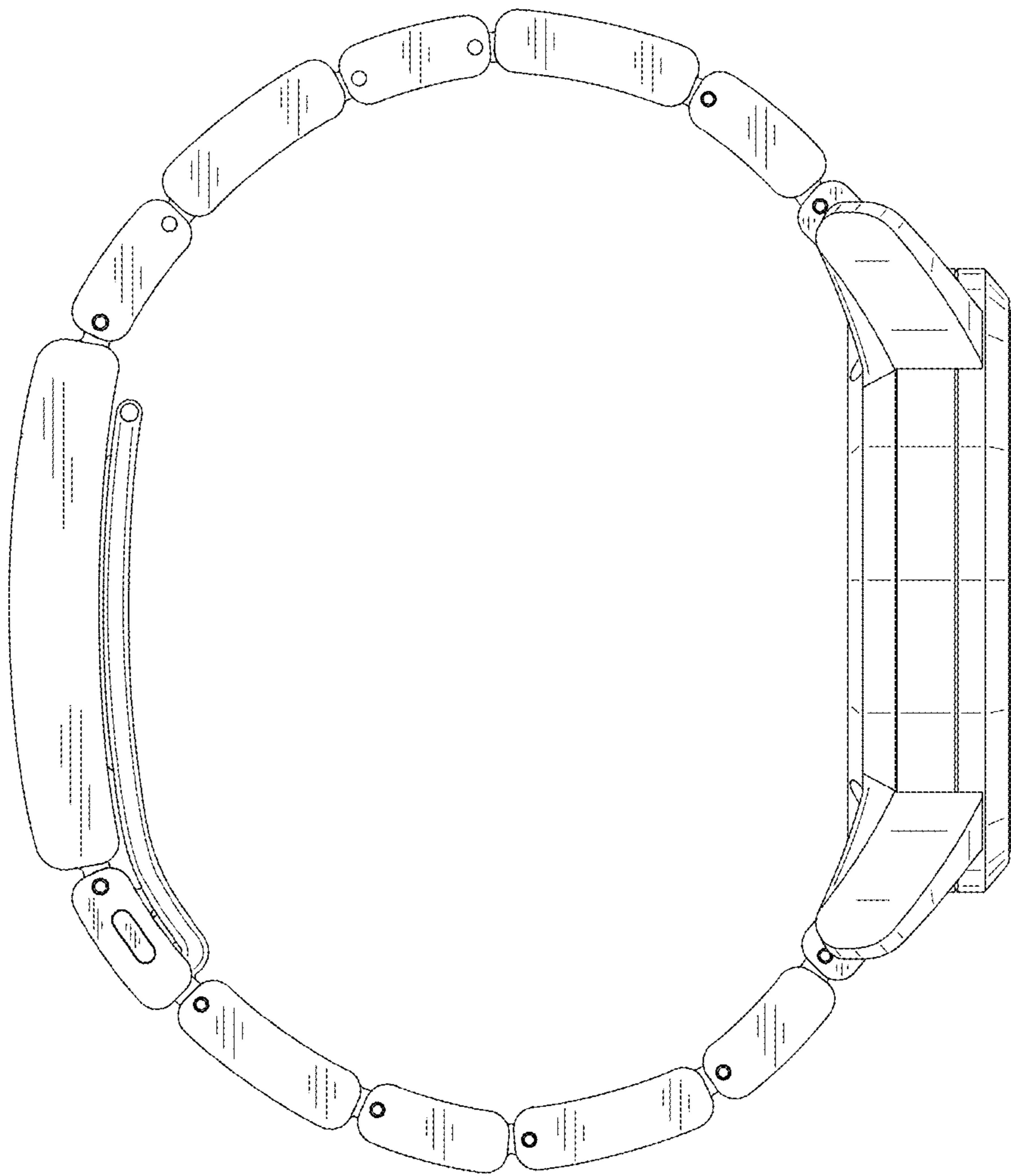


FIG.6

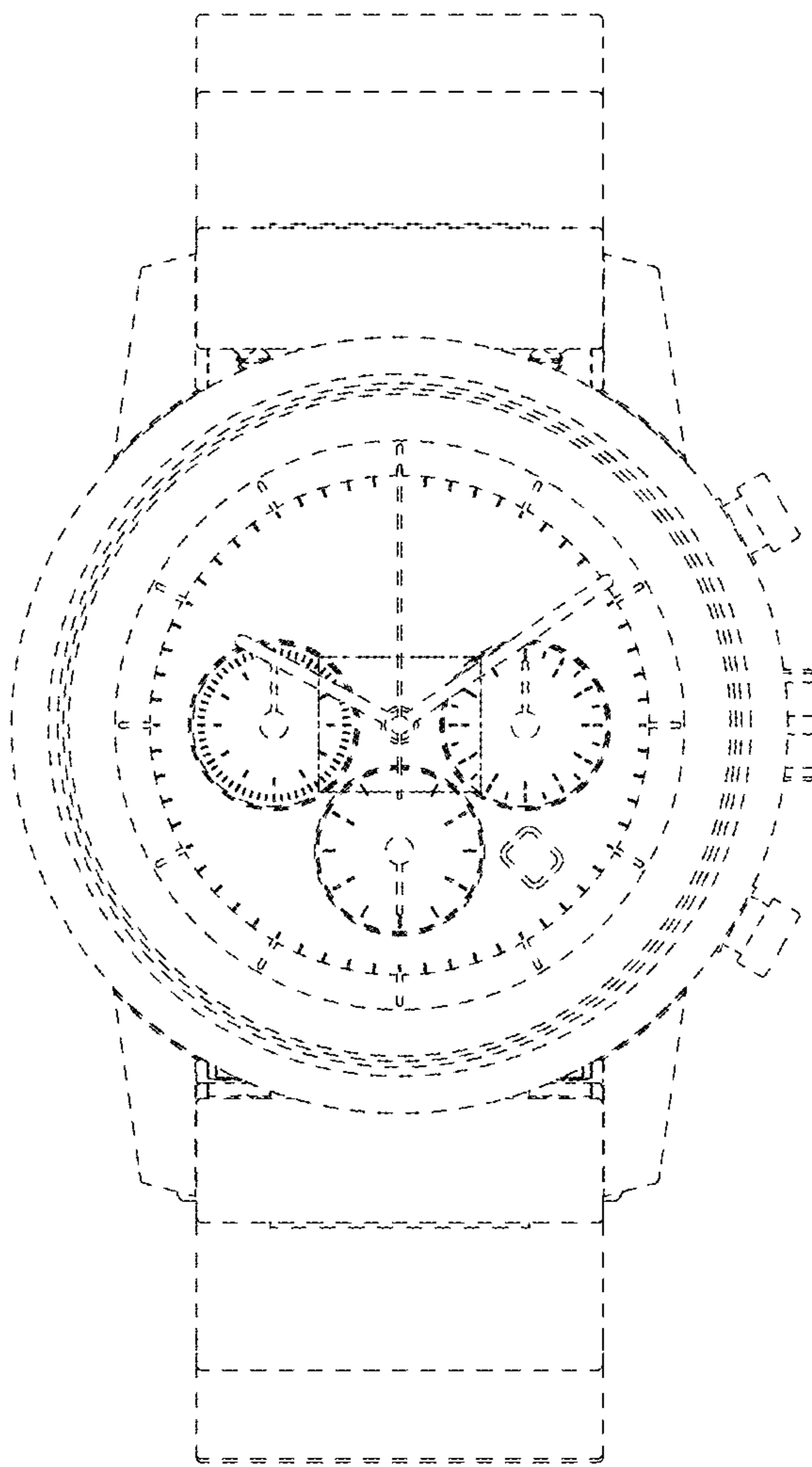


FIG.7

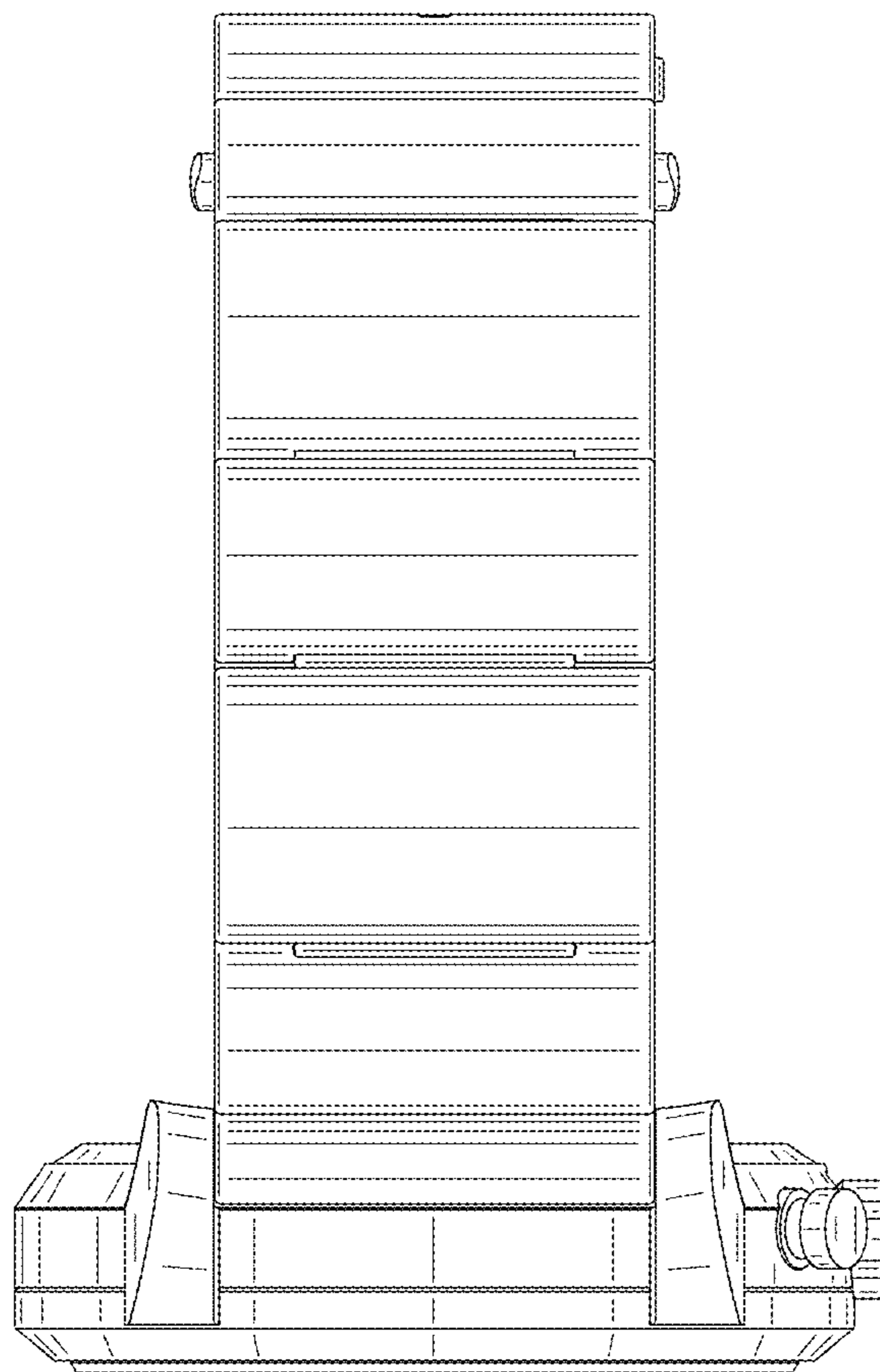


FIG.8

