



US00D787952S

(12) **United States Design Patent**
Jacobson et al.

(10) **Patent No.:** **US D787,952 S**
(45) **Date of Patent:** **** May 30, 2017**

(54) **CONTOURED NECK FOR A BEVERAGE CONTAINER**

(75) Inventors: **Mark A. Jacobson**, Arvada, CO (US);
Howard C. Chasteen, Westminster, CO (US)

(73) Assignee: **Ball Corporation**, Broomfield, CO (US)

(**) Term: **14 Years**

(21) Appl. No.: **29/430,744**

(22) Filed: **Aug. 29, 2012**

(51) **LOC (10) Cl.** **09-02**

(52) **U.S. Cl.**

USPC **D9/772**

(58) **Field of Classification Search**

USPC D9/505, 502, 516, 530, 537, 539, 542,
D9/549, 763-783; 215/381-385;
220/660, 662, 669; D7/601, 602, 612,
D7/615, 630

CPC B65D 17/165; B65D 1/165; B65D
2517/0014; B65D 17/08; B65D 17/163;
B65D 1/0223; B65D 7/36; B65D 7/04;
B65D 17/506; B65D 1/0207; B65D
2543/00092; B65D 17/161; B65D 1/023;
B65D 51/007; B65D 23/102; B65D
2517/002; B65D 2543/00046; B65D
43/06; B65D 47/10; B65D 7/12; B65D
83/38; B65D 11/02; B65D 17/02; B65D
1/42; B65D 1/0215; B65D 1/16; Y10S
220/906; Y10S 72/715; Y10S 220/914;
Y10S 220/916; B21D 51/26; B21D
51/2615; B21D 51/2646; B21D 51/2638;
B21D 51/38; B21D 51/32

See application file for complete search history.

(56) **References Cited**

U.S. PATENT DOCUMENTS

D28,842 S 6/1898 Griffith
607,433 A 7/1898 Haigh

1,332,515 A * 3/1920 O'Conner B65D 50/045
220/521
1,340,097 A * 5/1920 Wisegarver B65D 55/10
220/318
1,377,341 A * 5/1921 Hansen B65D 7/04
220/685
1,532,913 A * 4/1925 Major A01J 9/04
220/23.88

(Continued)

FOREIGN PATENT DOCUMENTS

EP 0245050 11/1987
GB 2280165 1/1995

(Continued)

OTHER PUBLICATIONS

International Search Report and Written Opinion for International (PCT) Patent Application No. PCT/US2013/068408 mailed Apr. 4, 2014, 10 pages.

(Continued)

Primary Examiner — Derrick Holland

Assistant Examiner — Lauren Calve

(74) *Attorney, Agent, or Firm* — Sheridan Ross P.C.

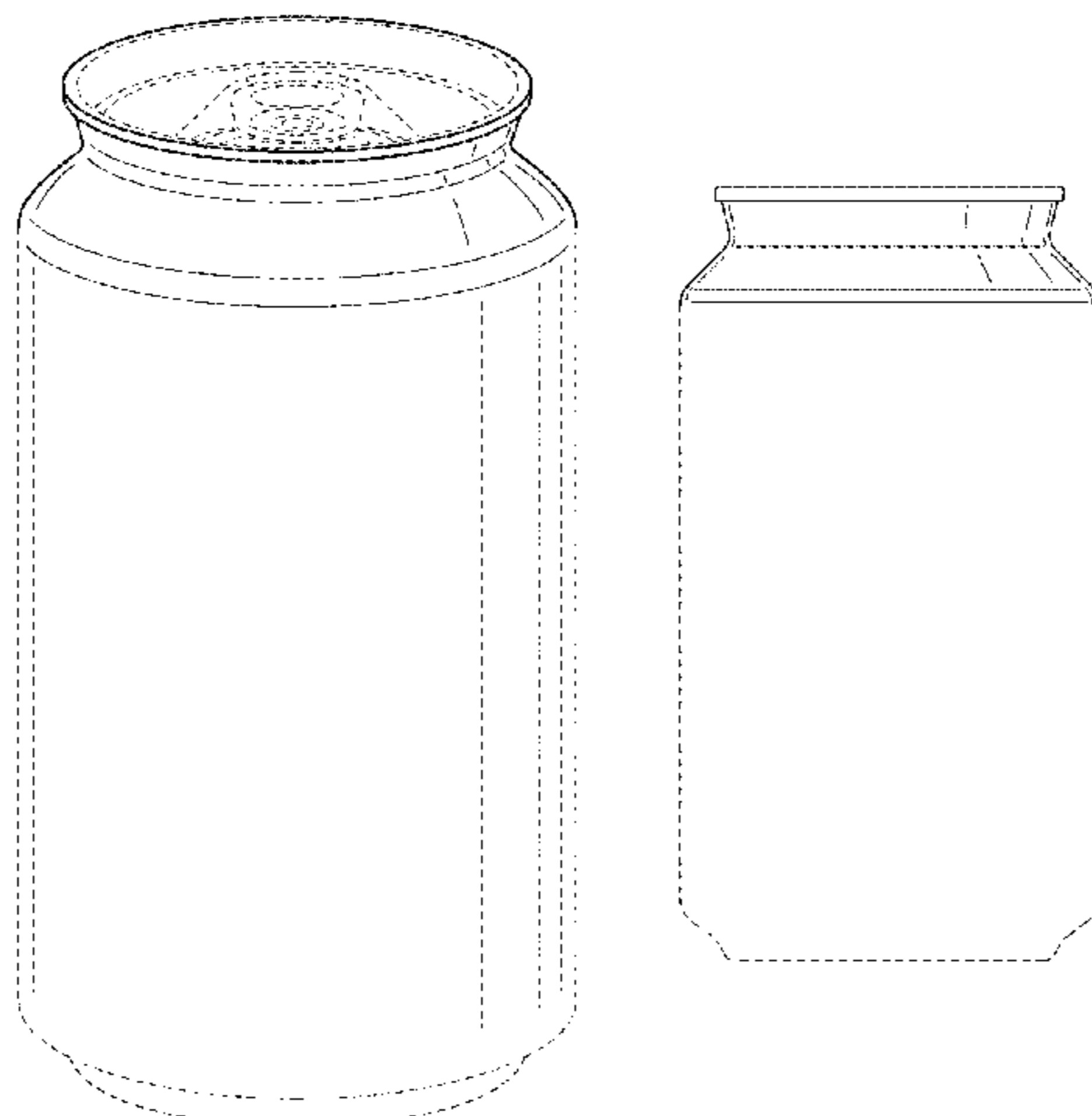
(57) **CLAIM**

The ornamental design for a contoured neck for a beverage container, as shown and described.

DESCRIPTION

FIG. 1 is a front perspective view of a contoured neck for a beverage container; FIG. 2 is a top plan view thereof; and, FIG. 3 is a front elevation view thereof. The broken lines shown represent unclaimed subject matter and form no part of the claimed design.

1 Claim, 2 Drawing Sheets



(56)

References Cited

U.S. PATENT DOCUMENTS

<p>1,536,497 A * 5/1925 Horvath B65D 7/48 220/634 1,660,601 A * 2/1928 Duke B65D 51/1694 220/231 1,703,583 A * 2/1929 Willis A01J 9/02 210/251 1,863,853 A * 6/1932 Jackson B67B 7/28 220/278 1,867,677 A * 7/1932 Nielsen B65D 51/08 220/212.5 2,199,953 A * 5/1940 Hots B65D 51/08 220/215 2,256,240 A * 9/1941 Clemons B65D 81/2076 119/14.02 2,538,946 A * 1/1951 Nyden B65D 47/265 220/253 2,565,269 A * 8/1951 Saxton B65D 45/24 220/324 2,606,732 A * 8/1952 Luomala A01J 9/04 134/137 2,808,959 A * 10/1957 Harris B65D 45/24 220/326 2,812,886 A * 11/1957 Weinstein B44D 3/123 220/733 3,050,216 A * 8/1962 Norris B67D 3/00 220/265 3,329,302 A * 7/1967 Kitchen B65D 43/0222 220/284 3,704,805 A 12/1972 Sheafe, III D229,426 S 11/1973 Andersson et al. 3,838,788 A * 10/1974 Stargell B65D 17/163 220/271 4,015,744 A 4/1977 Brown 4,094,435 A 6/1978 Kennedy 4,165,011 A * 8/1979 Holk, Jr. B65D 53/02 220/359.1 4,289,251 A 9/1981 Maliszewski D262,439 S * 12/1981 Atkinson D9/779 4,318,493 A 3/1982 Jacobsen et al. D267,393 S 12/1982 Gruodis et al. 4,452,368 A 6/1984 Roth 4,537,324 A * 8/1985 Wang B65D 77/283 215/388 D280,710 S * 9/1985 Skylvik D9/434 4,578,007 A 3/1986 Diekhoff 4,747,511 A * 5/1988 Dutt B65D 17/506 220/254.1 D310,025 S * 8/1990 Foley D9/772 D318,225 S 7/1991 Cassai et al. D319,580 S 9/1991 Cassai et al. D320,153 S 9/1991 Cassai et al. 5,054,638 A * 10/1991 Rose A47G 23/0266 206/37.1 5,121,621 A 6/1992 Ihly 5,150,595 A 9/1992 Ihly 5,244,111 A * 9/1993 Merom B08B 1/00 220/694 5,261,558 A * 11/1993 Claydon B21D 51/2646 220/671 5,301,830 A 4/1994 Muller D346,745 S * 5/1994 Heynen D9/518 D347,172 S * 5/1994 Heynen D9/518 5,346,087 A 9/1994 Klein 5,355,710 A 10/1994 Diekhoff D359,150 S * 6/1995 Malik D34/39 D372,868 S * 8/1996 Kobayashi D9/778 5,555,992 A 9/1996 Sedgeley 5,595,322 A 1/1997 Kramer 5,685,189 A 11/1997 Nguyen et al. D389,734 S 1/1998 Schultz et al. D392,566 S 3/1998 Vahjen et al. 5,753,328 A * 5/1998 Miyazawa B32B 15/08 220/62.22</p>	<p>D394,810 S 6/1998 Rodea 5,765,709 A 6/1998 Scott D399,129 S * 10/1998 Ramsey D9/773 5,822,843 A 10/1998 Diekhoff et al. D402,198 S 12/1998 Schultz et al. 5,957,647 A 9/1999 Hinton 6,012,601 A * 1/2000 Van Dam B65D 1/44 220/667 6,102,242 A 8/2000 Jansen 6,112,932 A * 9/2000 Holdren B65D 17/165 220/269 D432,015 S 10/2000 Holiday 6,126,034 A 10/2000 Borden et al. 6,220,475 B1 * 4/2001 Nayar B65D 1/165 220/669 6,338,263 B1 * 1/2002 Obata et al. 72/105 6,450,358 B1 * 9/2002 Berro B65D 25/48 220/254.7 6,460,723 B2 10/2002 Nguyen et al. 6,554,146 B1 * 4/2003 DeGroff B65D 1/02 215/12.1 6,640,993 B2 * 11/2003 Nakamura B29C 49/0073 206/315.9 6,648,169 B1 * 11/2003 Berger B65D 17/165 220/269 D499,651 S * 12/2004 Gong D9/738 6,968,724 B2 11/2005 Hubball D516,428 S 3/2006 Bezek et al. D522,880 S 6/2006 Fuller et al. 7,100,789 B2 9/2006 Nguyen et al. 7,178,687 B1 2/2007 Manderfield et al. 7,198,168 B2 4/2007 Mizuma D549,420 S * 8/2007 Naber D34/9 D570,228 S 6/2008 van Dam D587,137 S * 2/2009 Hayden D9/772 7,506,779 B2 3/2009 Jentzsch et al. 7,513,383 B2 4/2009 Hwang D604,181 S * 11/2009 Reimer D9/766 D605,038 S 12/2009 Olive-Bartres et al. D605,060 S * 12/2009 Reimer D9/766 D611,203 S * 3/2010 Jager D30/160 D618,115 S 6/2010 Huls et al. D618,563 S 6/2010 Ziegler D632,589 S 2/2011 George D641,644 S * 7/2011 George D9/772 D644,537 S * 9/2011 Hu D9/779 D653,538 S 2/2012 Toms et al. 8,157,119 B2 4/2012 Watson et al. D663,165 S 7/2012 Manska et al. 8,448,810 B2 * 5/2013 Kelly A47J 41/0077 220/23.87 D698,668 S * 2/2014 Vaughn D9/772 D713,267 S * 9/2014 Stephens D9/772 8,844,761 B2 * 9/2014 Zabaleta B65D 41/32 220/254.8 D756,783 S * 5/2016 Christopoulos D9/500 2001/0019058 A1 * 9/2001 Song B65D 17/165 220/258.2 2002/0158071 A1 10/2002 Chasteen et al. 2003/0189046 A1 * 10/2003 Quispe Gonzalez B65D 17/165 220/269 2004/0000551 A1 * 1/2004 Flink B65D 47/06 220/258.3 2004/0040963 A1 * 3/2004 Arcati B65D 1/165 220/269 2004/0134912 A1 * 7/2004 Tarulis B65D 1/165 220/62.13 2005/0029269 A1 2/2005 Stodd et al. 2005/0235726 A1 10/2005 Chupak 2006/0102629 A1 * 5/2006 Ronnberg B65D 17/165 220/269 2006/0131255 A1 6/2006 Blondeel 2007/0045218 A1 3/2007 Afandyan 2007/0138178 A1 6/2007 Erickson 2007/0177962 A1 8/2007 Boltshauser 2008/0006630 A1 * 1/2008 Messina B65D 17/165 220/257.2 2008/0011702 A1 1/2008 Walsh</p>
--	--

(56)

References Cited

U.S. PATENT DOCUMENTS

2008/0099480 A1 5/2008 Chang
 2008/0295558 A1 12/2008 Reimer et al.
 2009/0114663 A1 5/2009 Alvares et al.
 2009/0145929 A1 6/2009 Hall et al.
 2009/0194536 A1* 8/2009 Ulstein B65D 17/165
 220/270
 2009/0206079 A1 8/2009 Valderrama Chaparro
 2010/0000997 A1* 1/2010 Southers B65D 17/161
 220/269
 2010/0059515 A1* 3/2010 Wilkerson A47G 19/2227
 220/260
 2010/0095696 A1 4/2010 Norris et al.
 2010/0108678 A1* 5/2010 Yasui B65D 17/161
 220/270
 2010/0176136 A1* 7/2010 Lacoste A61L 2/081
 220/660
 2010/0219187 A1* 9/2010 Na B65D 17/165
 220/269
 2011/0031256 A1 2/2011 Stodd et al.
 2012/0031056 A1 2/2012 Chasteen et al.
 2012/0125935 A1 5/2012 Nguyen
 2013/0140318 A1* 6/2013 Ytsma B21D 51/2615
 220/669
 2013/0299497 A1* 11/2013 Rauer B65D 17/161
 220/270
 2014/0021202 A1* 1/2014 Hands B65D 25/20
 220/87.1
 2014/0348976 A1* 11/2014 Aranda Campin B65D 51/20
 426/2
 2015/0136774 A1* 5/2015 Shemesh B65D 17/165
 220/258.3
 2015/0291316 A1* 10/2015 Fietz B65D 25/2829
 220/735
 2016/0023801 A1* 1/2016 Keane B65D 17/165
 220/271
 2016/0031584 A1* 2/2016 Fortner B65D 1/165
 215/40
 2016/0039563 A1* 2/2016 Dunwoody B65D 17/165
 220/269
 2016/0130051 A1* 5/2016 Lee B65D 51/007
 220/256.1

FOREIGN PATENT DOCUMENTS

JP 2000159229 6/2000
 JP 2001-030033 2/2001

JP 2002145263 5/2002
 JP D1254559 10/2005
 WO WO 99/67150 12/1999
 WO WO 2008/057207 5/2008
 WO WO 2011/053776 5/2011

OTHER PUBLICATIONS

Official Action for U.S. Appl. No. 13/669,153 mailed Feb. 4, 2014, 6 pages.
 U.S. Appl. No. 29/449,195, filed Mar. 14, 2013, Vaughn.
 U.S. Appl. No. 13/669,153, filed Nov. 5, 2012, Jacober et al.
 Decision to Grant (with English translation) for Chinese Patent Application No. 2013300475670 dated Apr. 24, 2013, 4 pages.
 Official Action (no translation available) for Japanese Patent Application No. 2013-004036 mailed Aug. 23, 2013, 2 pages.
 Official Action (no translation available) for Japanese Patent Application No. 2013-004037 mailed Aug. 23, 2013, 2 pages.
 Official Action (no translation available) for Japanese Patent Application No. 2013-004038 mailed Aug. 23, 2013, 2 pages.
 Official Action for U.S. Appl. No. 29/449,195 mailed Oct. 3, 2013, 6 pages.
 Official Action for Canadian Patent Application No. 149635 dated Oct. 28, 2013, 3 pages.
 Notice of Allowance for U.S. Appl. No. 29/449,195 mailed Nov. 26, 2013, 9 pages.
 Official Action for U.S. Appl. No. 13/669,153, mailed Jul. 10, 2014 15 pages.
 Official Action for U.S. Appl. No. 13/669,153, mailed Oct. 20, 2014, 26 pages.
 International Preliminary Report on Patentability for International (PCT) Patent Application No. PCT/US2013/068408, mailed May 14, 2015 8 pages.
 Official Action for U.S. Appl. No. 13/669,153, mailed Mar. 27, 2015 21 pages.
 Official Action for Canada Patent Application No. 2,890,017, dated May 18, 2016 4 pages.
 Partial Supplementary Search Report for European Patent Application No. 13851478.1, dated Feb. 24, 2016 6 pages.
 Extended Search Report for European Patent Application No. 13851478.1, dated Jun. 20, 2016 11 pages.
 Official Action for U.S. Appl. No. 13/669,153, mailed Oct. 27, 2015 18 pages.
 Official Action for U.S. Appl. No. 13/669,153, mailed Mar. 31, 2016 19 pages.

* cited by examiner

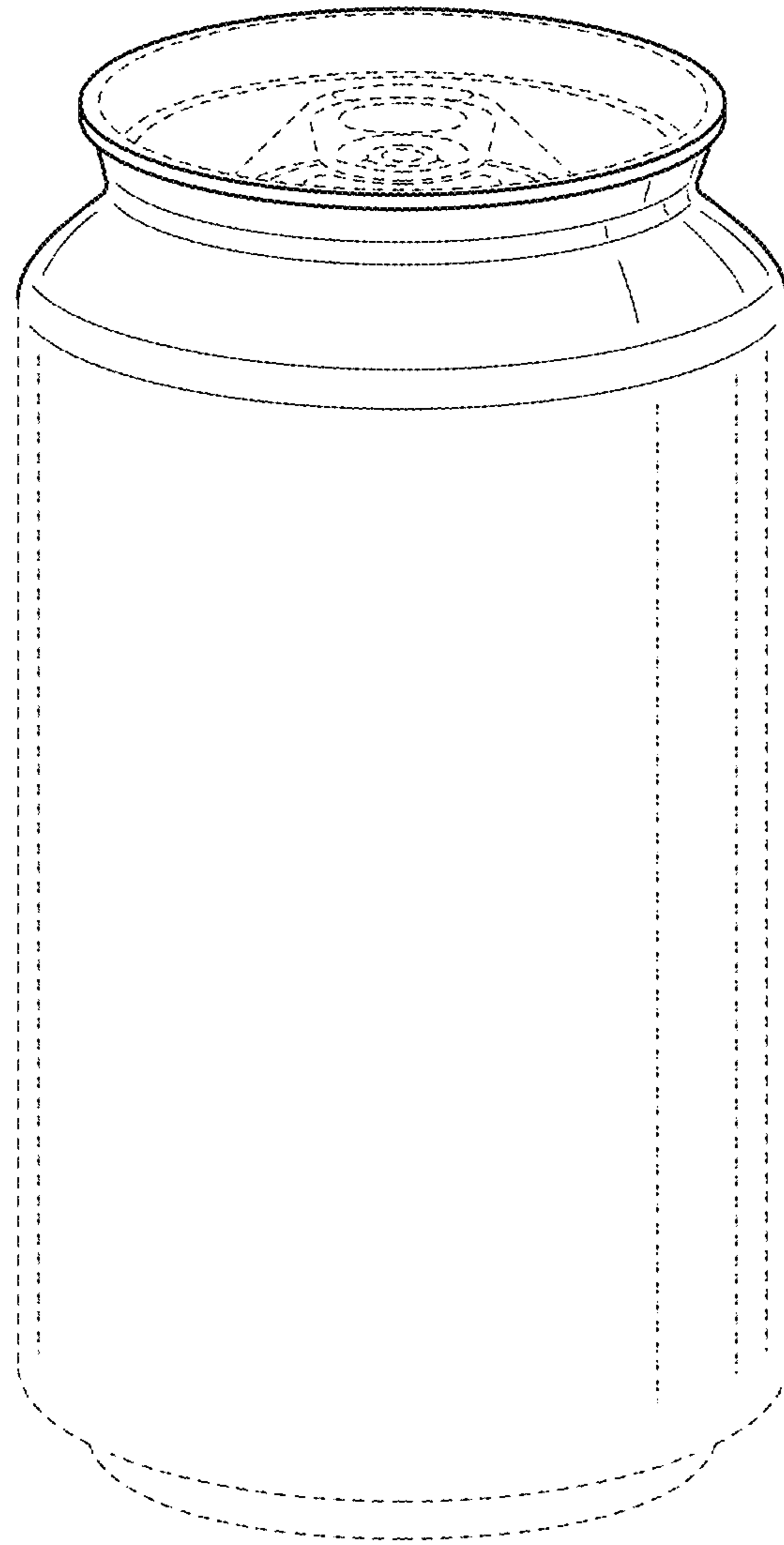


FIG.1

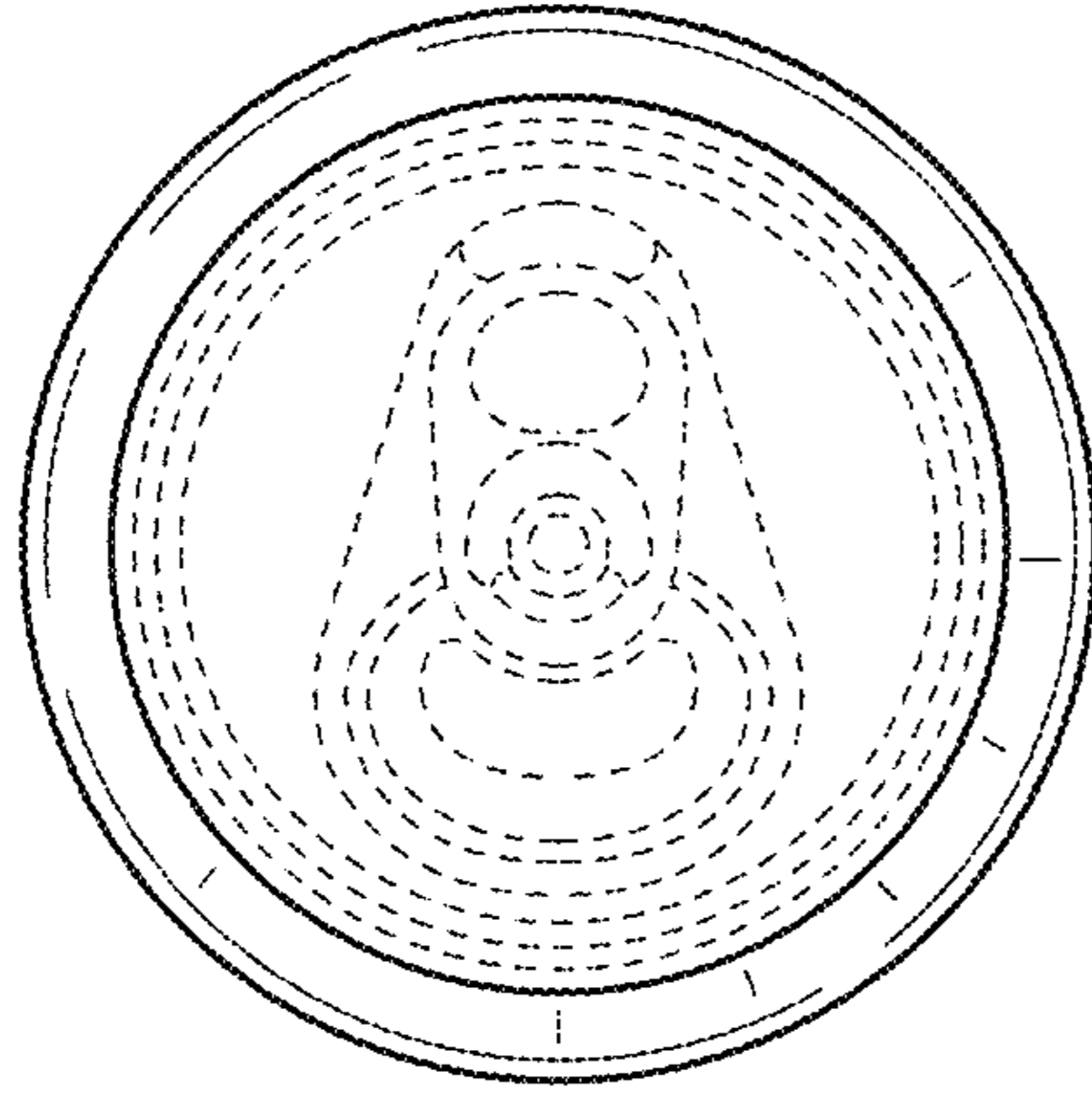


FIG. 2

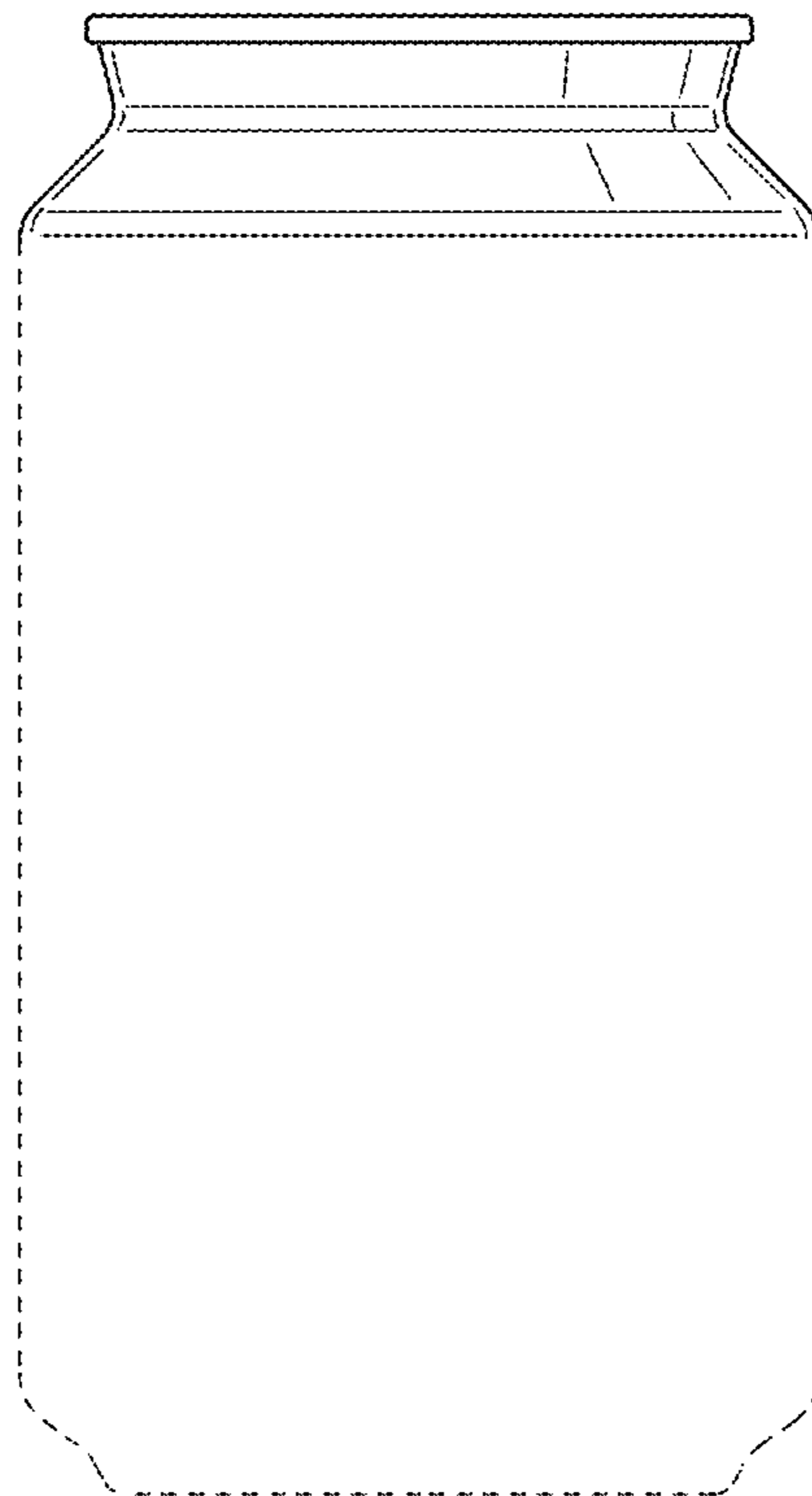


FIG. 3