



US00D787951S

(12) **United States Design Patent**
Lee et al.

(10) **Patent No.:** **US D787,951 S**
(45) **Date of Patent:** **** May 30, 2017**

(54) **CARTRIDGE DISPENSER**

(71) Applicant: **ADKM, Inc.**, New York, NY (US)

(72) Inventors: **Stuart Harvey Lee**, Forest Hills, NY (US); **Jochen Schaeppers**, New York, NY (US)

(73) Assignee: **Harry's, Inc.**, New York, NY (US)

(**) Term: **14 Years**

(21) Appl. No.: **29/513,016**

(22) Filed: **Dec. 24, 2014**

(51) **LOC (10) Cl.** **09-03**

(52) **U.S. Cl.**
USPC **D9/749**

(58) **Field of Classification Search**

USPC D9/749, 735, 414, 418, 422, 432, 427, D9/420, 423, 430, 424, 732, 629, 429, D9/756, 759; D3/203.1–203.6, 272, 318, D3/273, 275, 279, 423, 294, 903, 205, D3/315, 281, 901; D6/632; D19/76; D24/216, 217, 224–232, 131; 206/354–360, 477, 478, 480, 486, 488, 206/352, 83, 528, 438, 63.5, 815, 508; 220/675, 351, 793, 839, 258.3, 263, 260, 220/835; 221/229
CPC A45C 11/34; A45D 27/225; A45D 33/006; A45D 40/22; B60R 9/055; H02G 3/081
See application file for complete search history.

(56) **References Cited**

U.S. PATENT DOCUMENTS

D155,058 S *	8/1949	Weiss	D9/756
D216,635 S *	2/1970	Grange	D9/748
3,915,362 A *	10/1975	Hart	B60R 9/055
				206/509
D257,800 S *	1/1981	Pedersen	D3/275
D259,496 S *	6/1981	Hampshire	D19/76
D273,051 S *	3/1984	Runyon	D28/76
D291,558 S *	8/1987	Fonville	D3/272

(Continued)

OTHER PUBLICATIONS

Harry's Blades, available Jan. 26, 2016, [online], [site visited Jul. 5, 2016]. Available from internet, <URL: https://www.harrys.com/products/harrys-blades.*

(Continued)

Primary Examiner — Cathron Brooks

Assistant Examiner — Teddy Falloway

(74) *Attorney, Agent, or Firm* — Florek & Endres PLLC

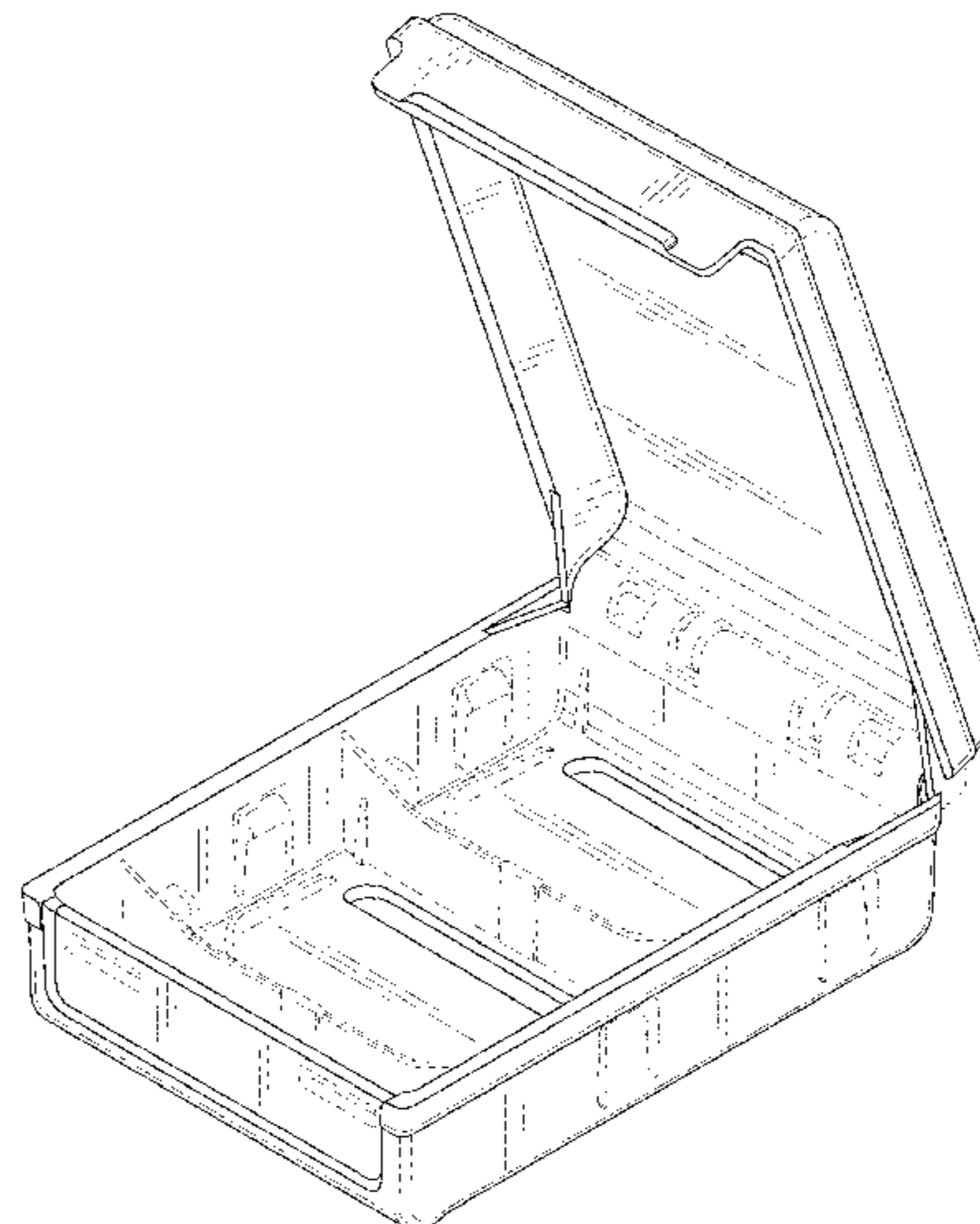
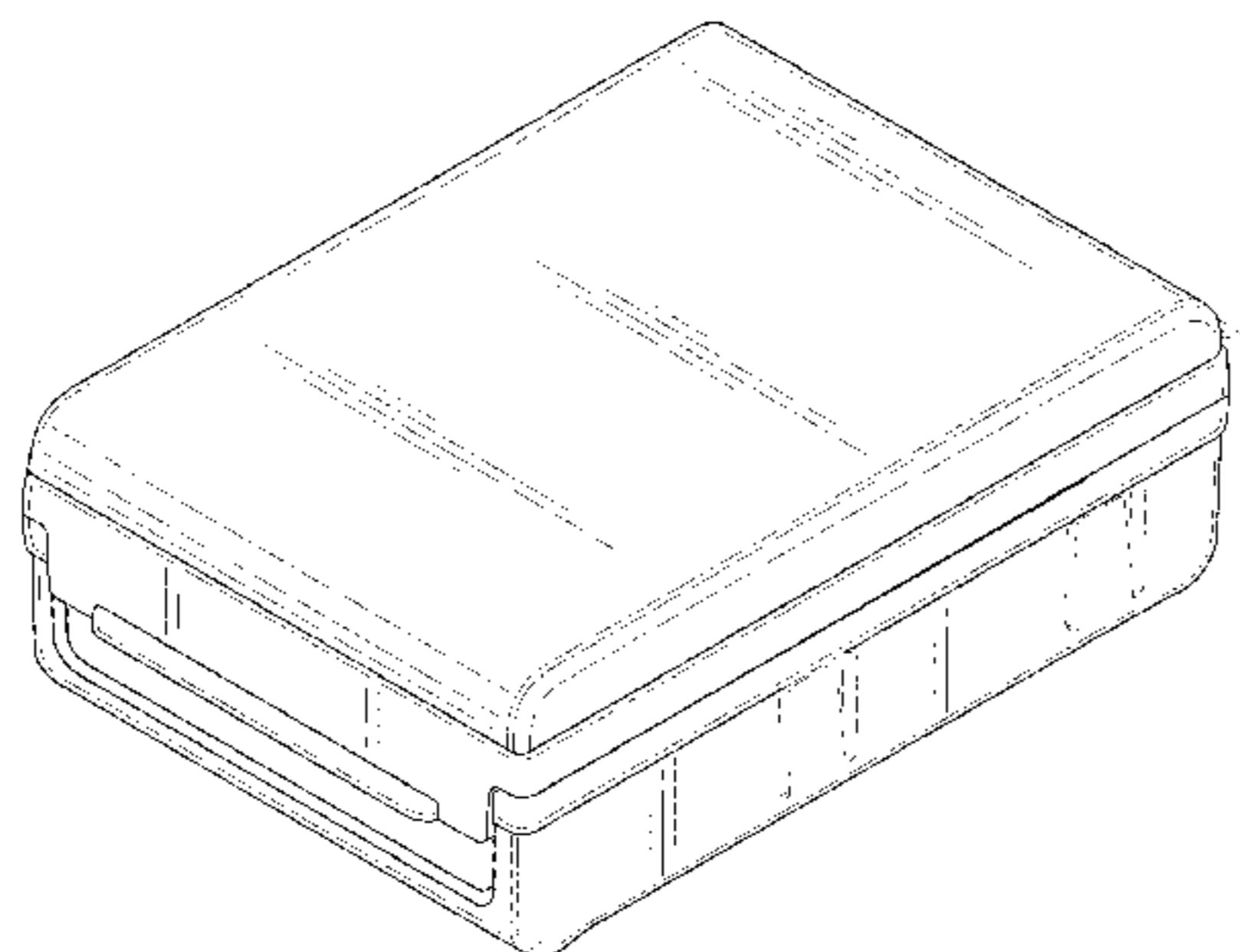
(57) **CLAIM**

The ornamental design for a cartridge dispenser, as shown and described.

DESCRIPTION

FIG. 1 is a perspective view of the cartridge dispenser the present invention in its closed configuration. FIG. 2 is a top plan view of the cartridge dispenser of FIG. 1. FIG. 3 is a bottom plan view of the cartridge dispenser of FIG. 1. FIG. 4 is a left side elevation of the cartridge dispenser of FIG. 1. FIG. 5 is a right side elevation of the cartridge dispenser of FIG. 1. FIG. 6 is a rear elevation of the cartridge dispenser of FIG. 1. FIG. 7 is a front elevation of the cartridge dispenser of FIG. 1. FIG. 8 is a perspective view of the cartridge dispenser of the present invention in its fully open configuration; and, FIG. 9 is a perspective view of the cartridge dispenser of the present invention in its partially open configuration. The broken lines shown in the drawings illustrate portions of the cartridge dispenser that form no part of the claimed design.

1 Claim, 9 Drawing Sheets



(56)

References Cited

U.S. PATENT DOCUMENTS

D292,175 S * 10/1987 Wolf D3/295
4,906,057 A * 3/1990 Davi A45C 5/00
206/425
D324,952 S * 3/1992 Berland D3/203.1
D333,264 S * 2/1993 Kaplan D3/264
D338,331 S * 8/1993 Kin-Man Tse D19/76
D352,859 S * 11/1994 Kirchner D19/76
D358,055 S * 5/1995 Long D6/407
D371,203 S * 6/1996 Deeds D24/217
D373,221 S * 8/1996 Lai D28/83
D389,639 S * 1/1998 Priebe D3/203.8
D406,233 S * 3/1999 Kaplan D9/423
6,021,891 A * 2/2000 Anderson A45C 11/34
206/214
6,237,612 B1 * 5/2001 Heyer A45C 13/1084
132/293
D454,430 S * 3/2002 Sijmons D3/279
D484,305 S * 12/2003 Eldon, III D3/205
D496,585 S * 9/2004 McBride D3/294
D513,978 S * 1/2006 Isono D9/420
D535,789 S * 1/2007 Meyers D28/83
D585,733 S * 2/2009 Feibelman D9/418
D605,034 S * 12/2009 Sarantis D9/430
D620,376 S * 7/2010 Peyser D9/749
D717,166 S * 11/2014 Lee D9/424
D741,703 S * 10/2015 Janson D9/424
D744,744 S * 12/2015 Lee D3/205
D749,846 S * 2/2016 Koeniger D3/294
D749,848 S * 2/2016 Koeniger D3/294

D759,971 S * 6/2016 Riddiford D3/279
2004/0206370 A1 * 10/2004 Byun A45D 40/22
132/287
2007/0267315 A1 * 11/2007 Yoshida H02G 3/081
206/509
2015/0342319 A1 * 12/2015 Lee B26B 21/24
206/354

OTHER PUBLICATIONS

Gillette Fusion Proglide Power Refill Razor 5-Blade Cartridges (via FastTech), available Mar. 22, 2013, [online], [site visited Jul. 5, 2016]. Available from internet, <URL: <https://www.fasttech.com/product/1289102-gillette-fusion-proglide-power-refill-razor-5-blade>>.*

Merkur Safety Razor Box (via West Coast Shaving), available Aug. 3, 2010, [online], [site visited Jul. 5, 2016]. Available from internet, <URL: http://www.westcoastshaving.com/Merkur-Safety-Razor-Box_p_533.html>.*

Vintage #1 1949 Gillette Super Speed Safety Razor in Original Box, available Sep. 7, 2011, [online], [site visited Jul. 5, 2016]. Available from internet, <URL: <http://vintage1945curvfitfemininesafetyrazor.blogspot.com/2011/09/vintage-1-1949-gillette-super-speed.html>>.*

Vintage 1949 Gillette Super Speed Razor with case, available Jun. 22, 2011, [online], [site visited Jul. 5, 2016]. Available from internet, <URL: <http://vintagegilletterazorormatchboxholder.blogspot.com/2011/06/vintage-1949-gillette-super-speed-razor.html>>.*

* cited by examiner

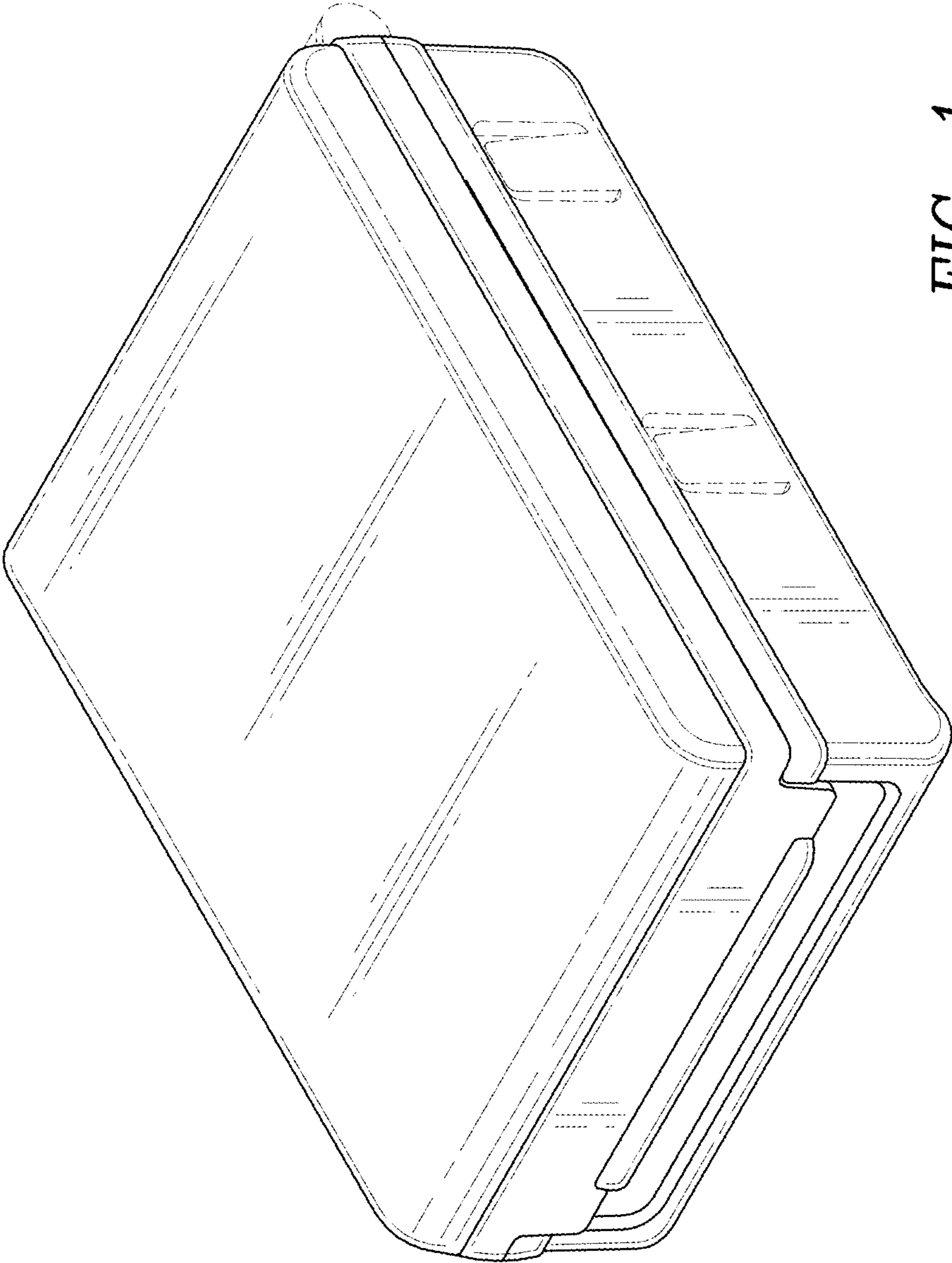


FIG. 1

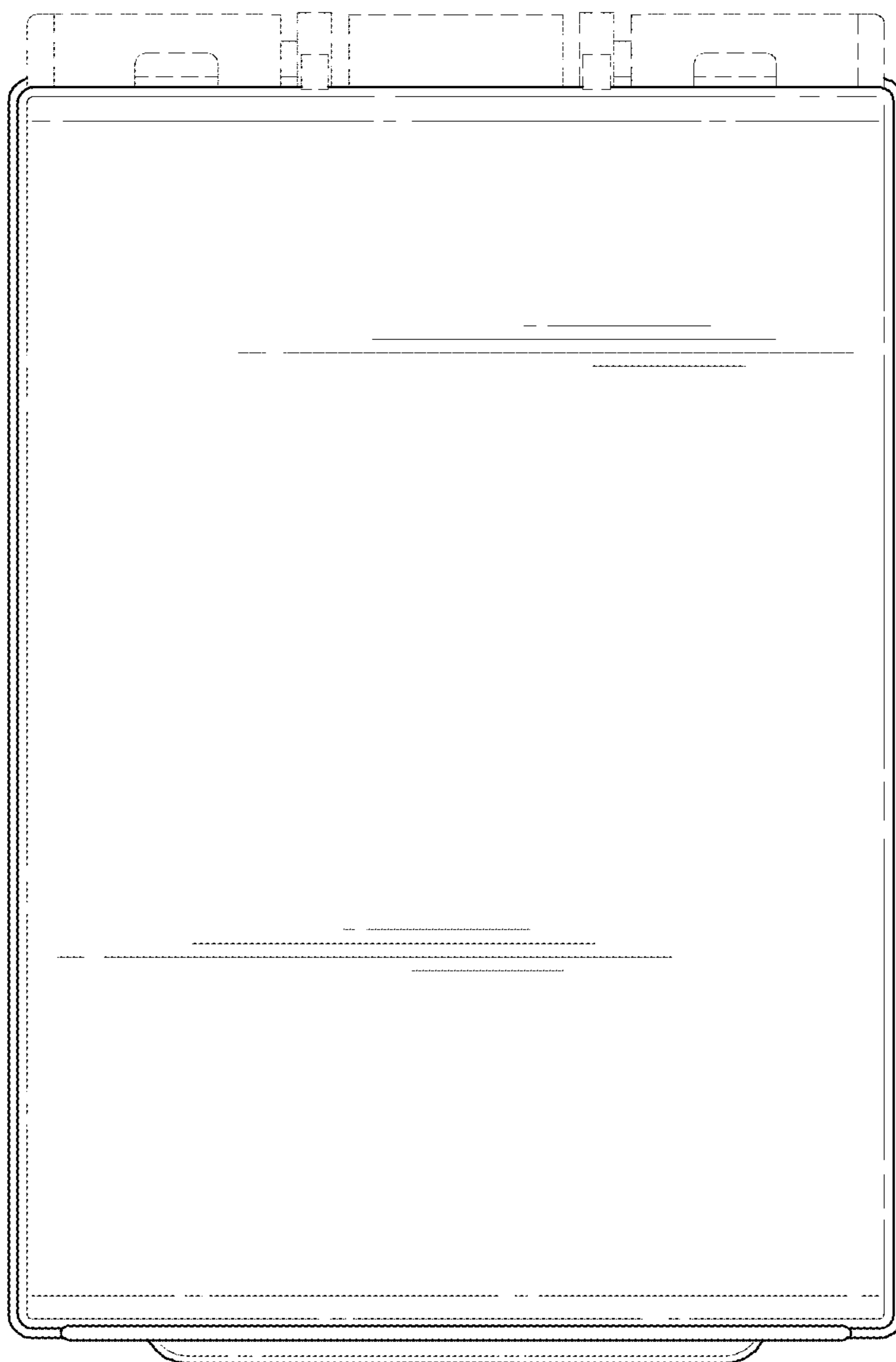


FIG. 2

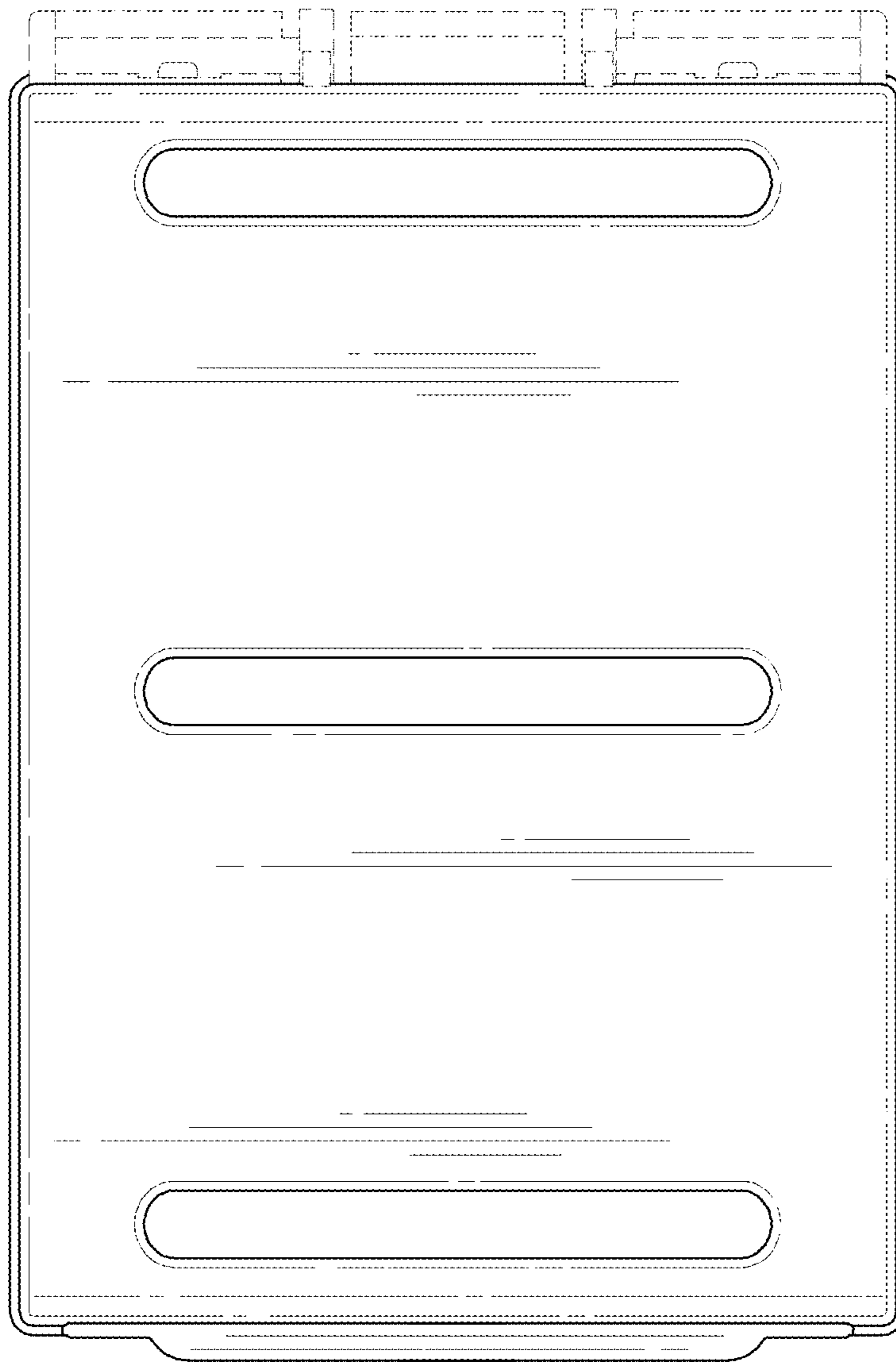


FIG. 3

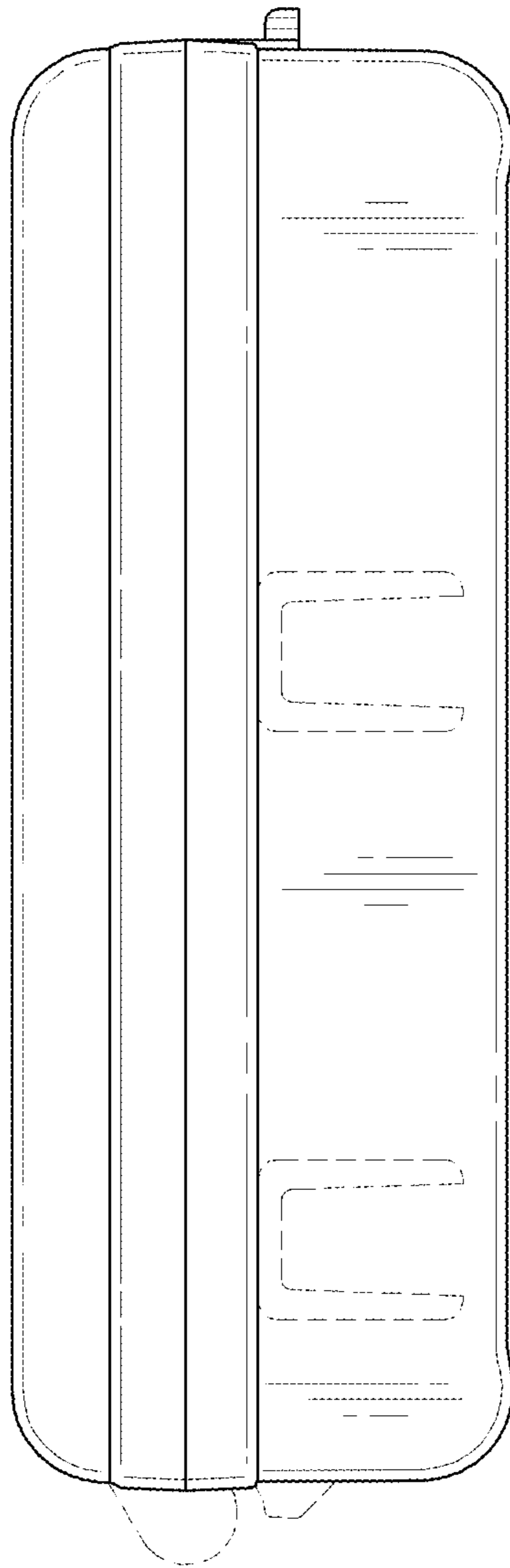


FIG. 4

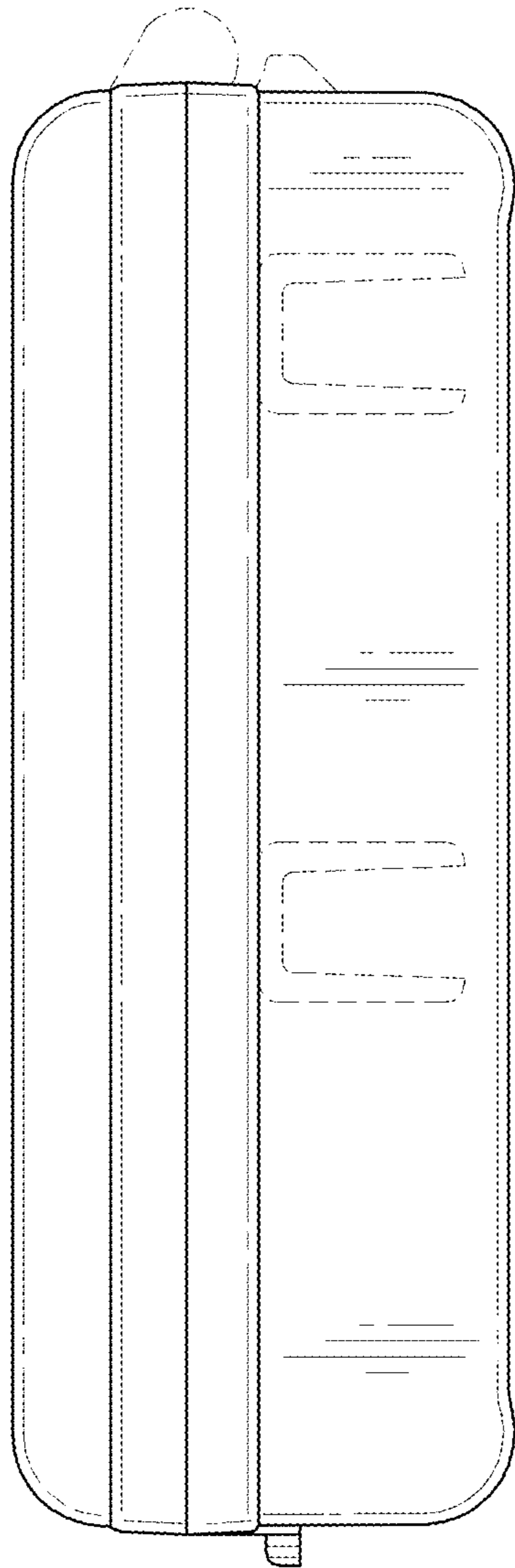


FIG. 5

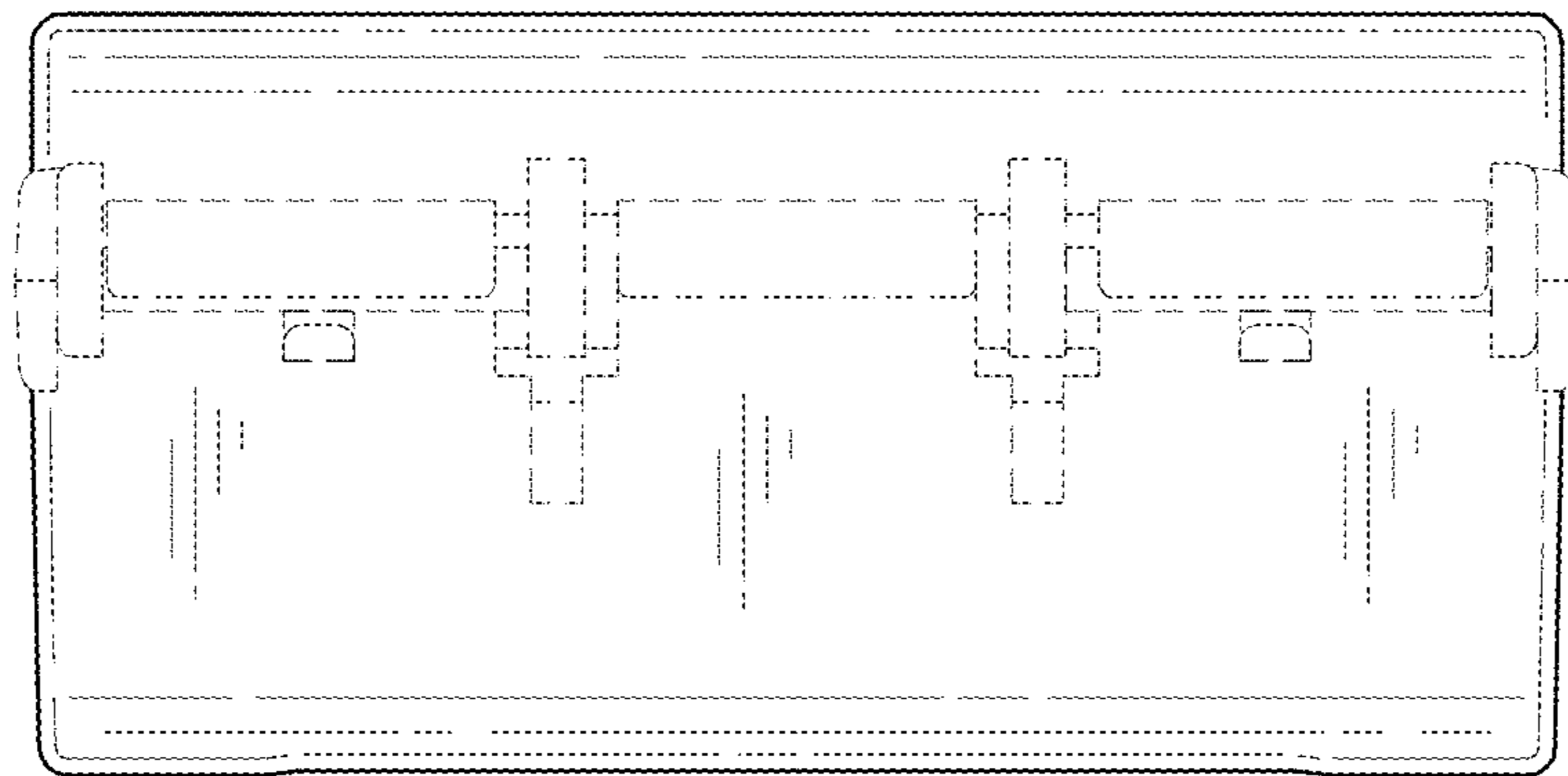


FIG. 6

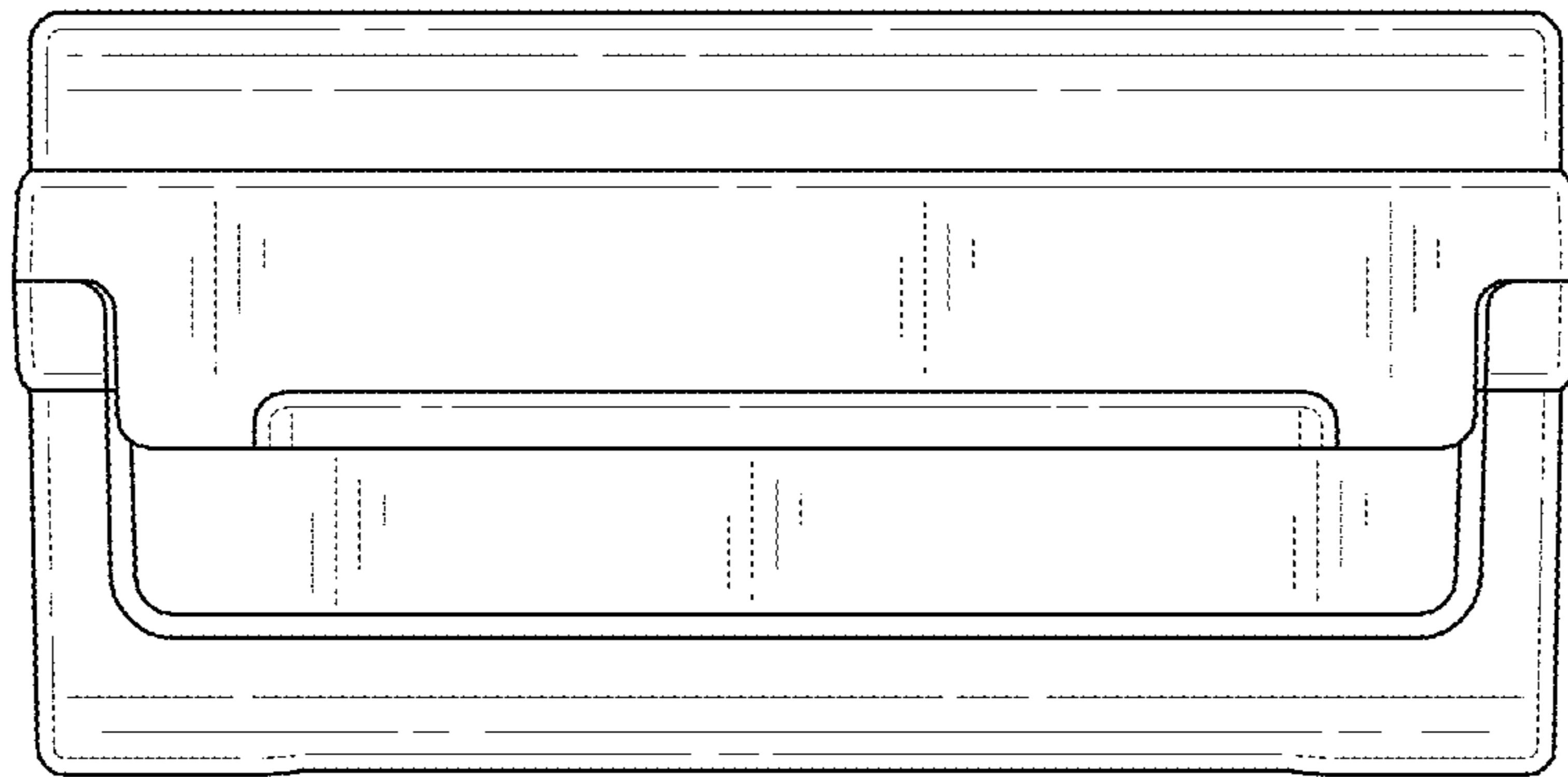


FIG. 7

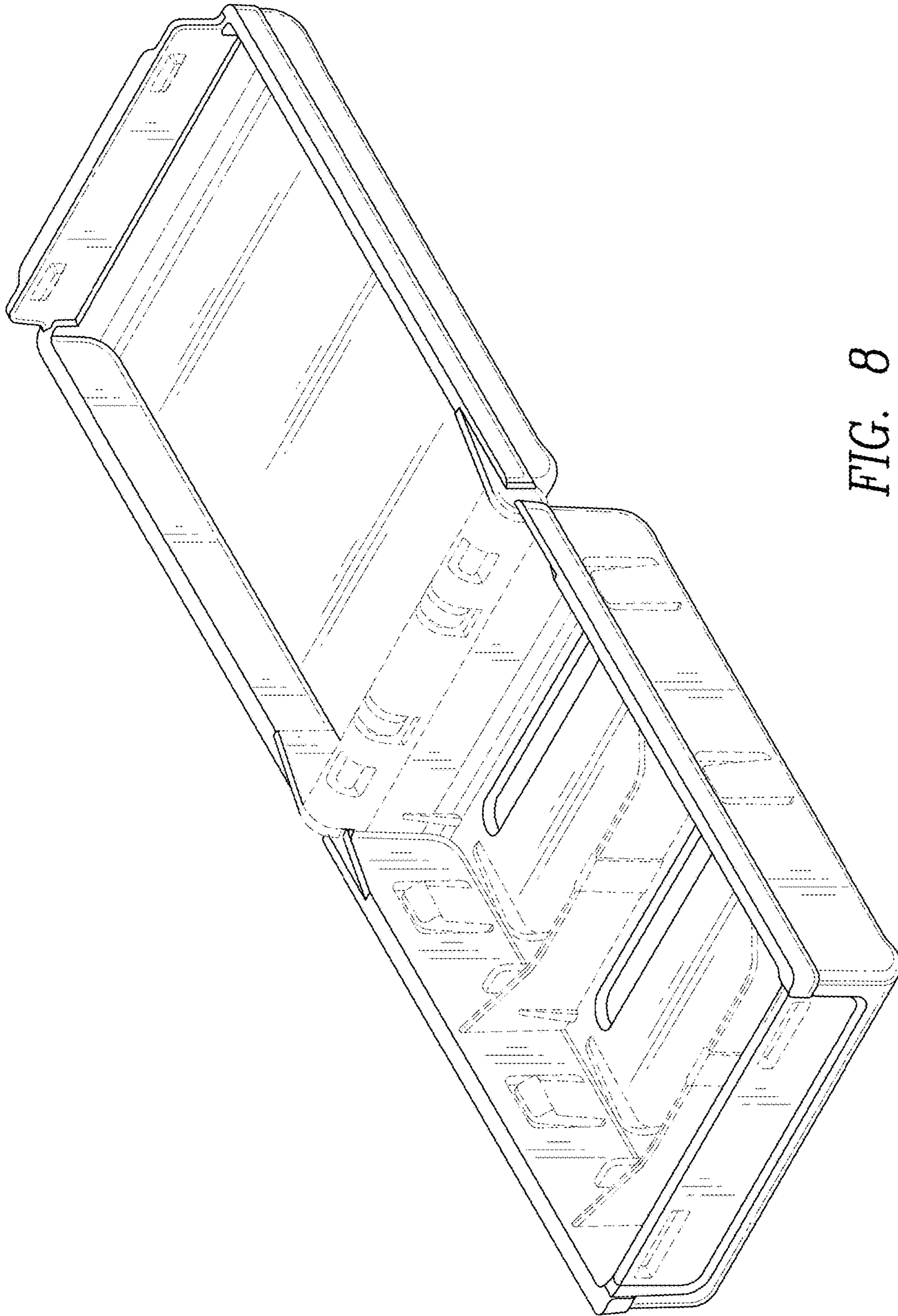


FIG. 8

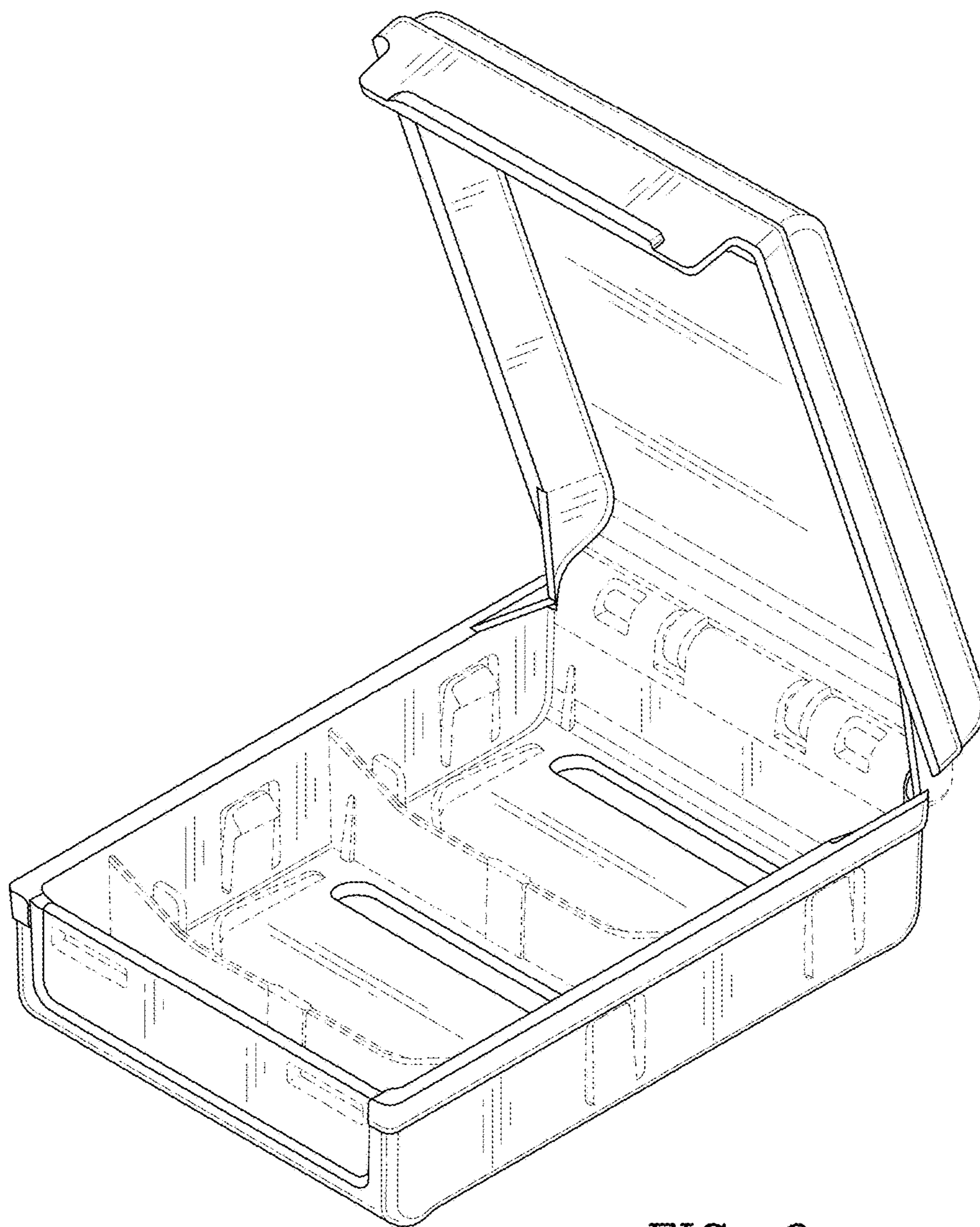


FIG. 9