



US00D787936S

(12) **United States Design Patent** (10) **Patent No.:** **US D787,936 S**  
**Anthony** (45) **Date of Patent:** **\*\* May 30, 2017**

(54) **LID FOR VARIOUSLY-SIZED CONTAINERS**

(71) Applicant: **Patricia M. Anthony**, Auburn Hills, MI (US)

(72) Inventor: **Patricia M. Anthony**, Auburn Hills, MI (US)

(\*\*) Term: **15 Years**

(21) Appl. No.: **29/537,714**

(22) Filed: **Aug. 28, 2015**

**Related U.S. Application Data**

(63) Continuation-in-part of application No. 14/838,529, filed on Aug. 28, 2015, which is a (Continued)

(51) **LOC (10) Cl.** ..... **09-07**

(52) **U.S. Cl.**  
USPC ..... **D9/435; D9/443**

(58) **Field of Classification Search**  
USPC .... D7/354, 550.1, 554.2, 554.3, 554.4, 566; D9/414, 418, 425, 428, 430, 432, 433, (Continued)

(56) **References Cited**

**U.S. PATENT DOCUMENTS**

D3,358 S \* 2/1869 Pratt ..... D9/434  
D35,475 S \* 12/1901 Springer ..... D7/550.1  
(Continued)

**OTHER PUBLICATIONS**

Sears. Rubbermaid SpaceSaver Square Container Lids. 2016 [earliest online date], [site visited Jul. 28, 2016]. Available from Internet, <URL:http://www.sears.com/rubbermaid-commercial-

products-6523whi-spacesaver-square-container-lids-44/p-SPM77-65333303?plpSellerId=UnbeatableSale.com, Inc.&prdNo=9&blockNo=9&blockType=G9>.\*

(Continued)

*Primary Examiner* — Robert M Spear  
*Assistant Examiner* — Darcey E Heflin

(57) **CLAIM**

The ornamental design for a lid for variously-sized containers, as shown and described.

**DESCRIPTION**

FIG. 1 is a front perspective view of a lid for variously-sized containers showing of my design.

FIG. 2 is a front perspective view of a lid for variously-sized containers, wherein a container is detached or separated from the lid.

FIG. 3 is a top plan view of a lid for variously-sized containers.

FIG. 4 is a bottom plan view of a lid for variously-sized containers.

FIG. 5 is a side elevational view of a lid for variously-sized containers, wherein a container is attached to the lid.

FIG. 6 is a side view of a lid for variously-sized containers, wherein a container is detached or separated from the lid; FIG. 7 is a top plan view of a lid for variously-sized containers.

FIG. 8 is a cross-sectional view taken in the direction of line 8-8 of FIG. 7, shown with the lid attached to a container.

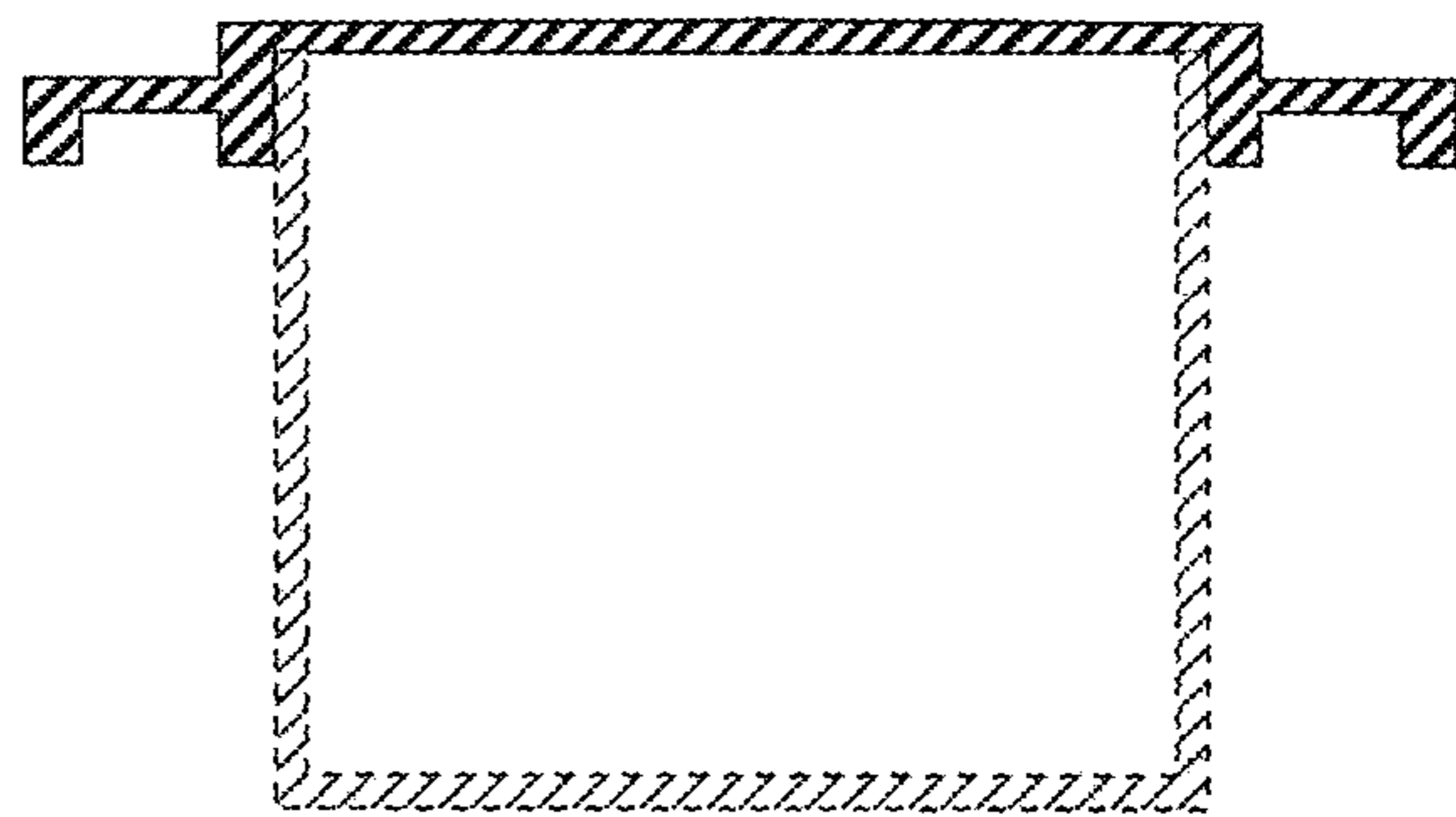
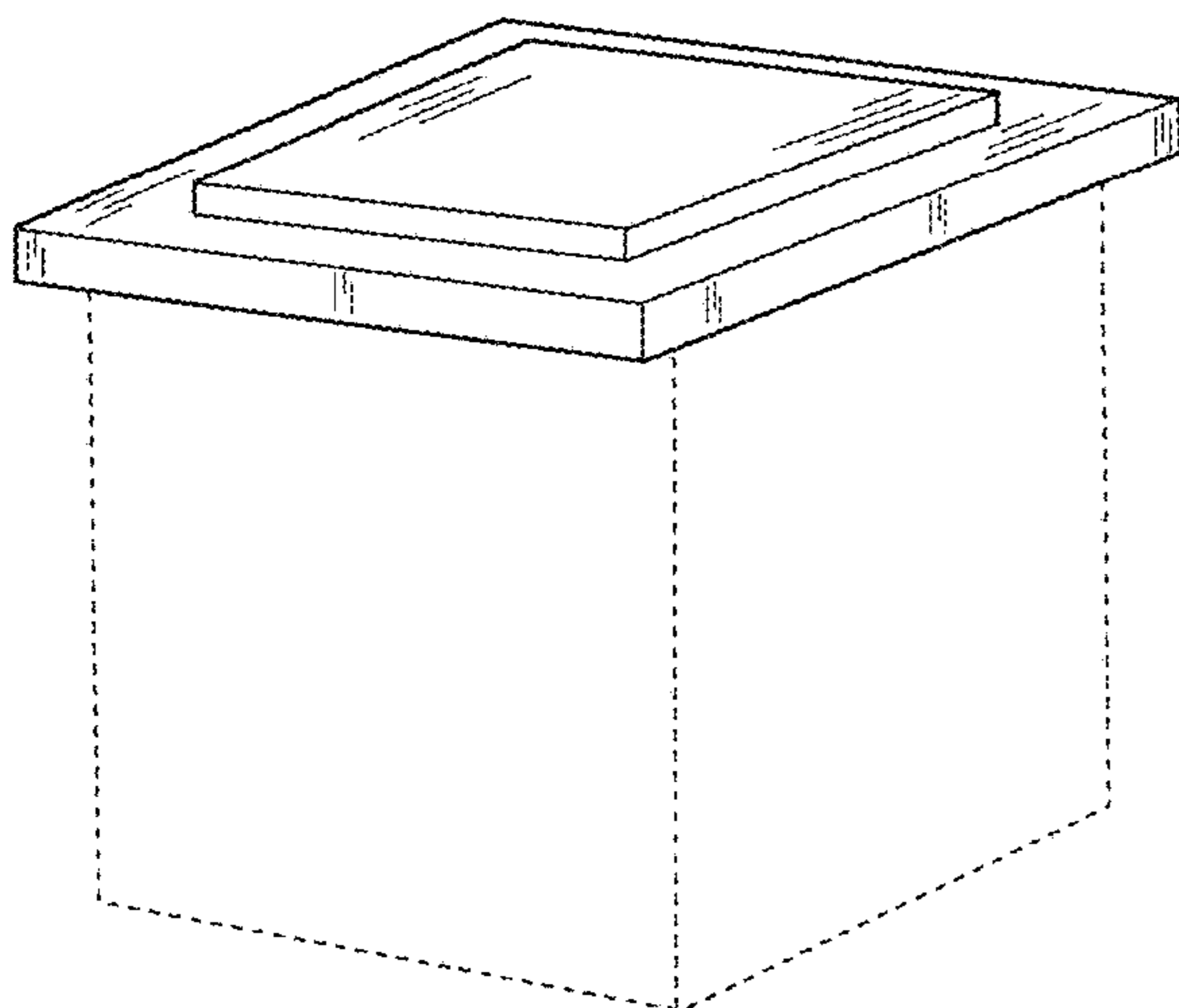
FIG. 9 is a cross-sectional view thereof, shown with the lid detached from the container.

FIG. 10 is a cross-sectional view thereof taken in the direction of line 8-8 of FIG. 7, shown in an alternate environment of use wherein the lid is attached to a larger container; and,

FIG. 11 is a cross-sectional side view thereof, wherein the lid is detached from the larger container.

In the drawings, the broken line showing of a container depicts environment and forms no part of the claim.

**1 Claim, 11 Drawing Sheets**



**Related U.S. Application Data**

continuation-in-part of application No. 14/465,805, filed on Aug. 21, 2014, now Pat. No. 9,409,364, which is a continuation-in-part of application No. 13/439,823, filed on Apr. 4, 2012, said application No. 14/838,529 is a continuation-in-part of application No. 13/439,823, filed on Apr. 4, 2012.

(58) **Field of Classification Search**

USPC ..... D9/434, 435, 443, 444, 445, 456; 206/508; 220/287, 796  
 CPC . B65D 2543/00083; B65D 53/02; B65D 1/34  
 See application file for complete search history.

(56) **References Cited**

U.S. PATENT DOCUMENTS

D244,353	S	*	5/1977	Skjelby	.....	D7/615
D292,472	S	*	10/1987	Oh	.....	D7/354
D311,338	S	*	10/1990	Serio, Jr.	.....	D9/434
5,134,736	A	*	8/1992	Anthony	.....	A47C 21/022 5/496
D532,247	S	*	11/2006	Copeland	.....	D7/354
D537,678	S	*	3/2007	Glander	.....	D7/554.3

D665,225	S	*	8/2012	Zakula	.....	D7/409
2012/0298667	A1	*	11/2012	Anthony	.....	B65D 43/0208 220/287
2015/0175328	A1	*	6/2015	Anthony	.....	B29D 99/0096 220/287
2016/0068320	A1	*	3/2016	Anthony	.....	B65D 43/0208 220/287

OTHER PUBLICATIONS

Betty Mills. Square Lid. 2016 [earliest date], [visited Jul. 28, 2016]. URL:<

\* cited by examiner

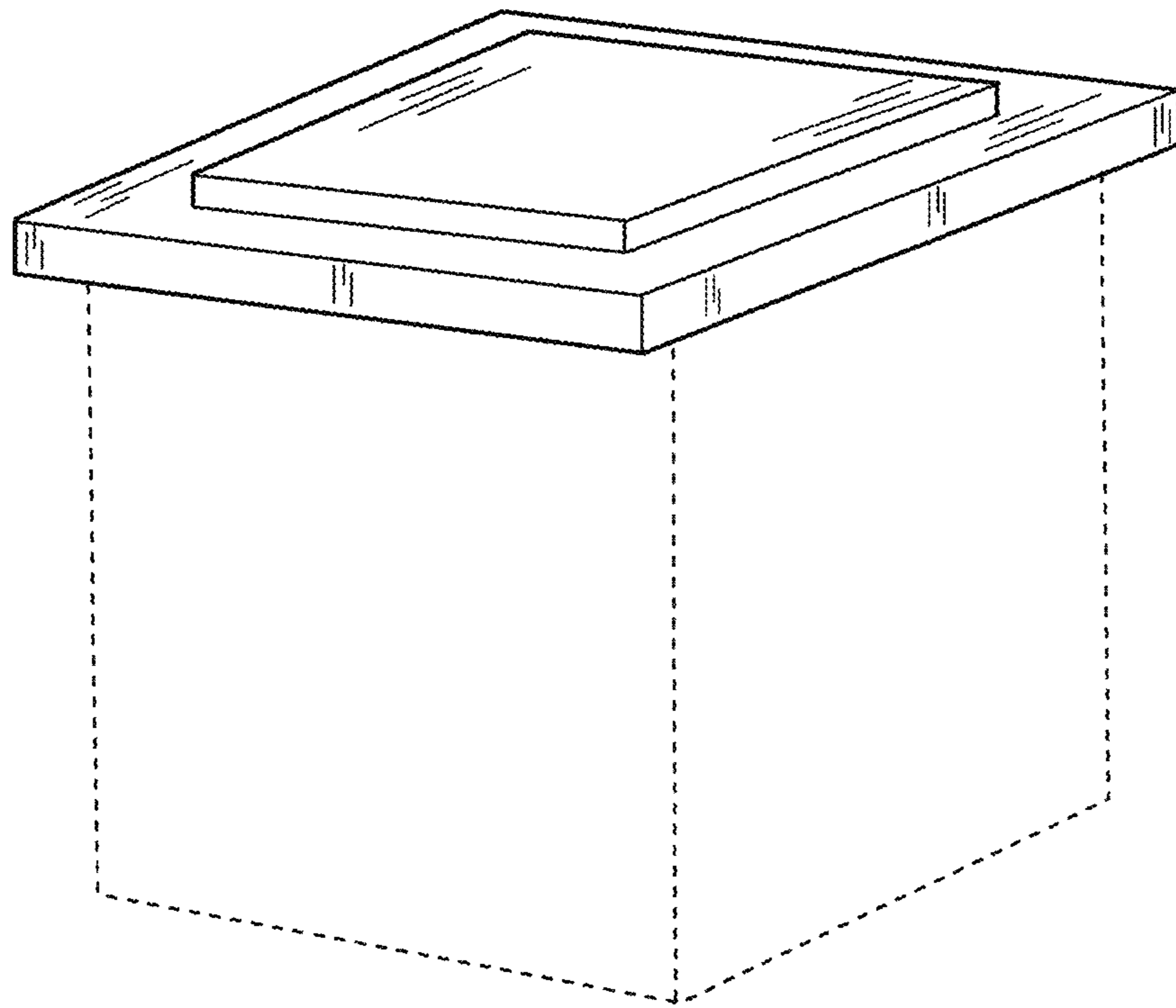


Figure 1

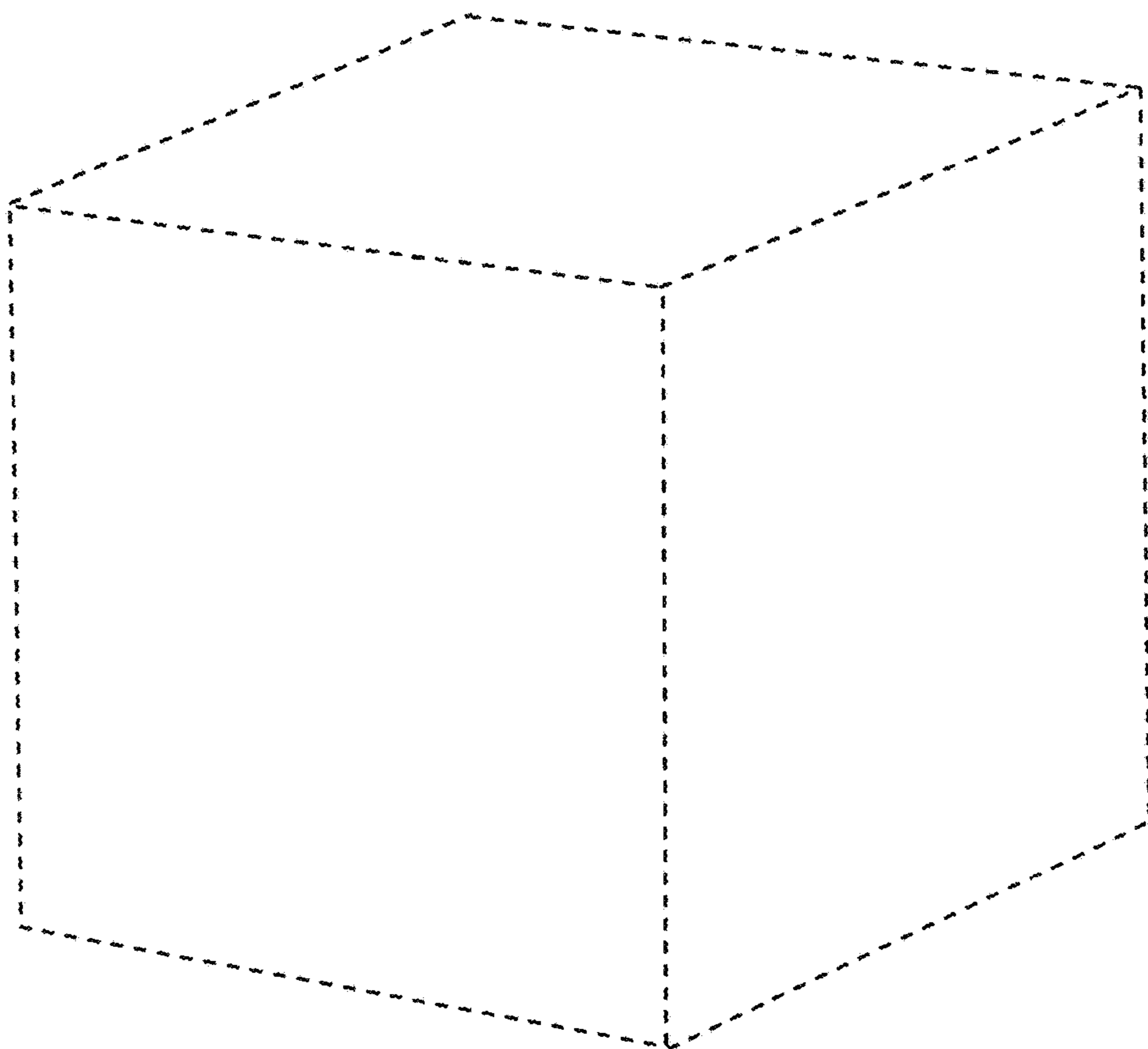
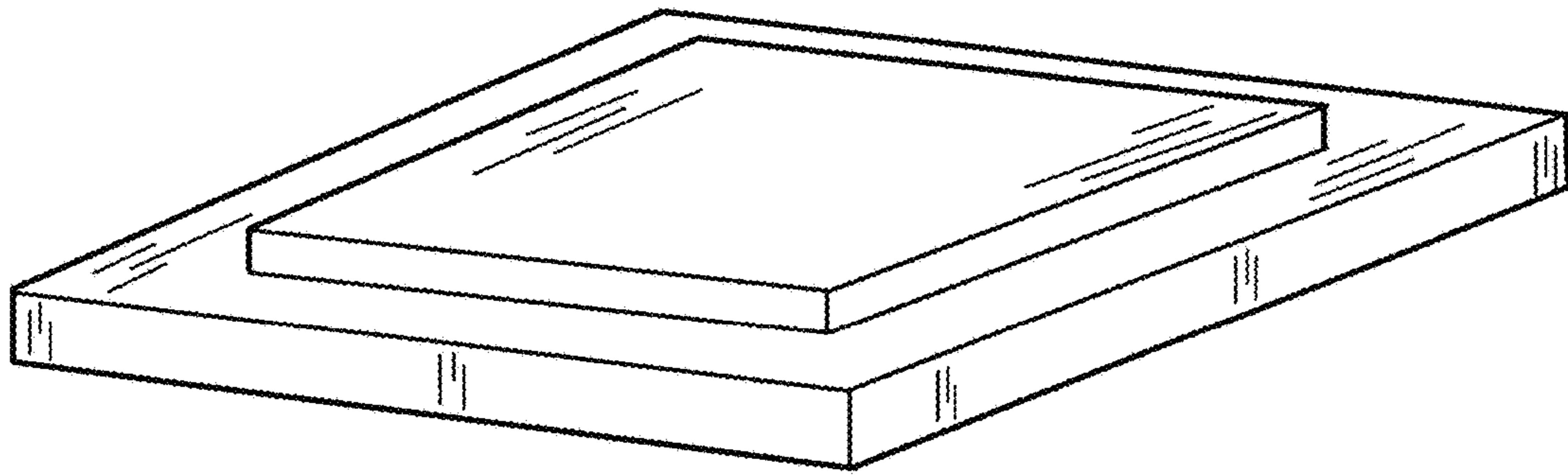


Figure 2

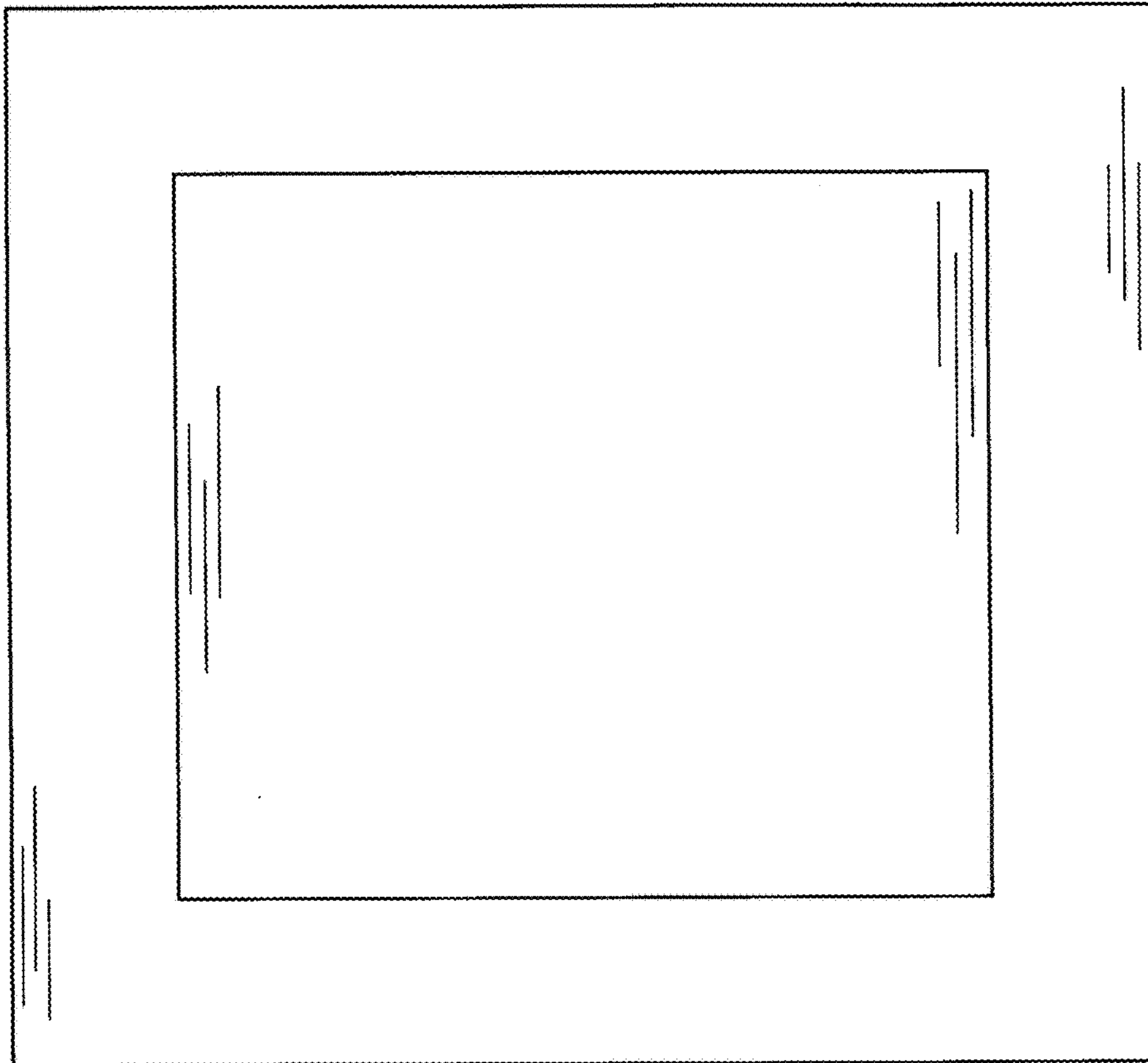


Figure 3

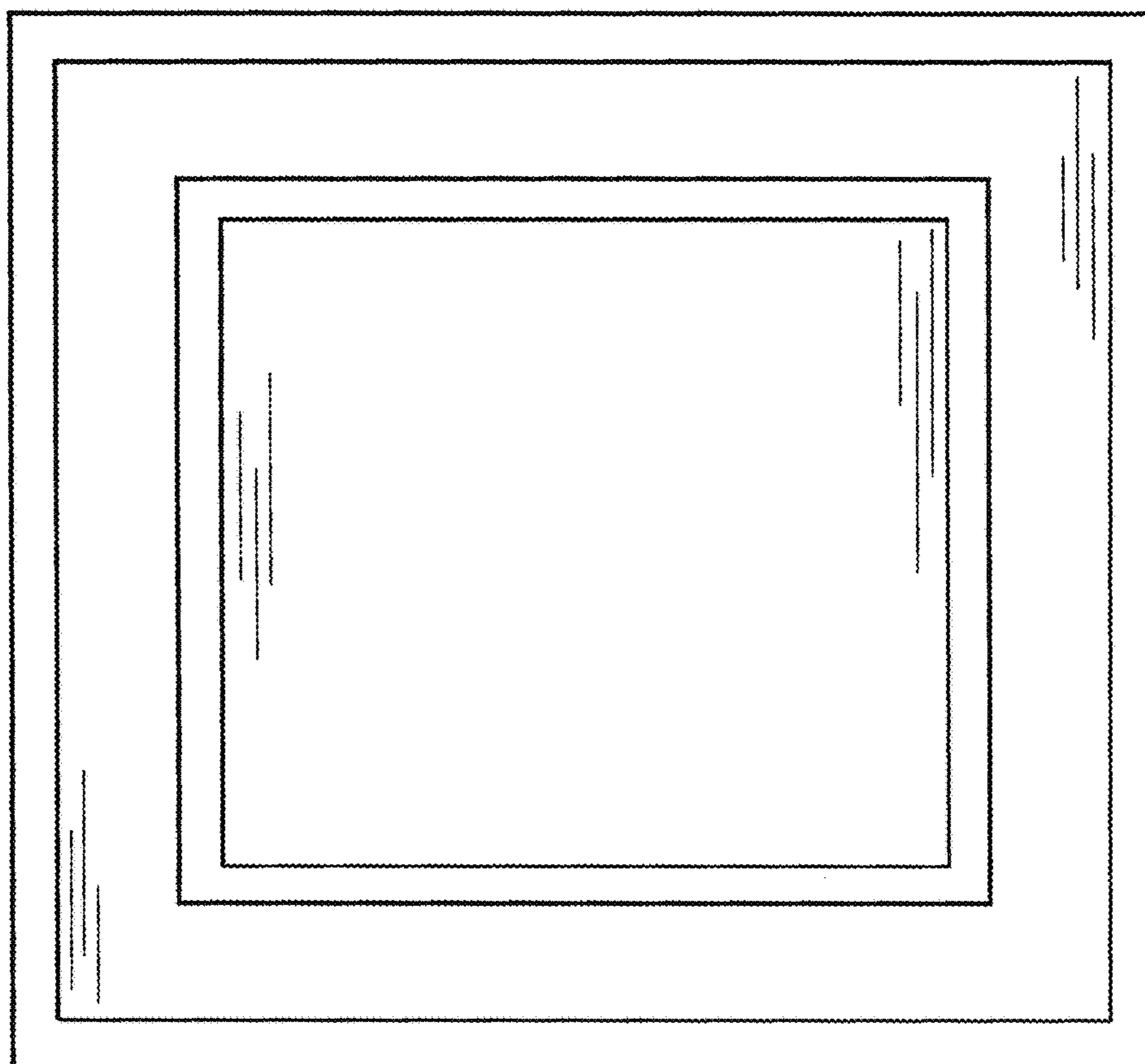


Figure 4

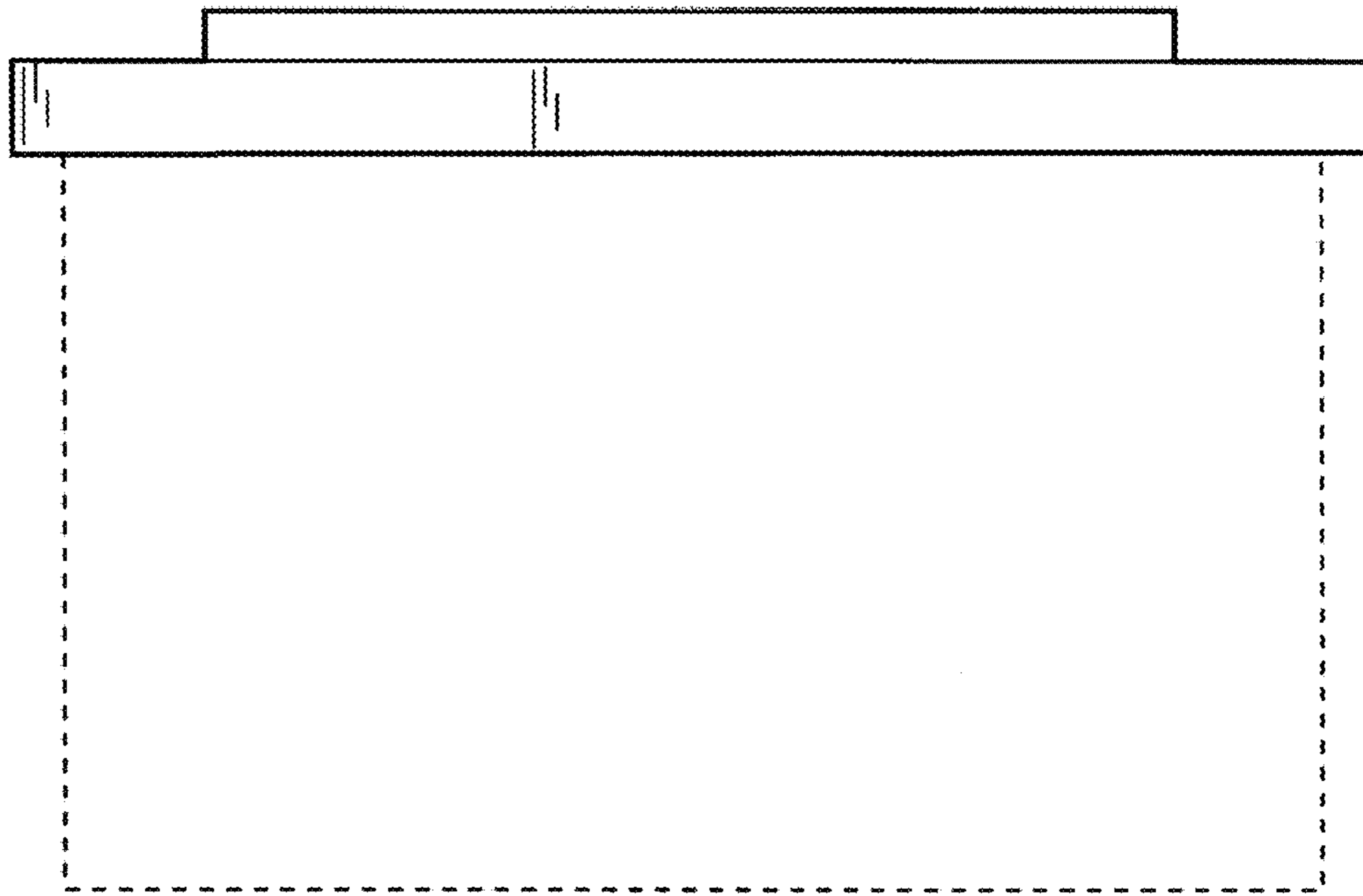


Figure 5

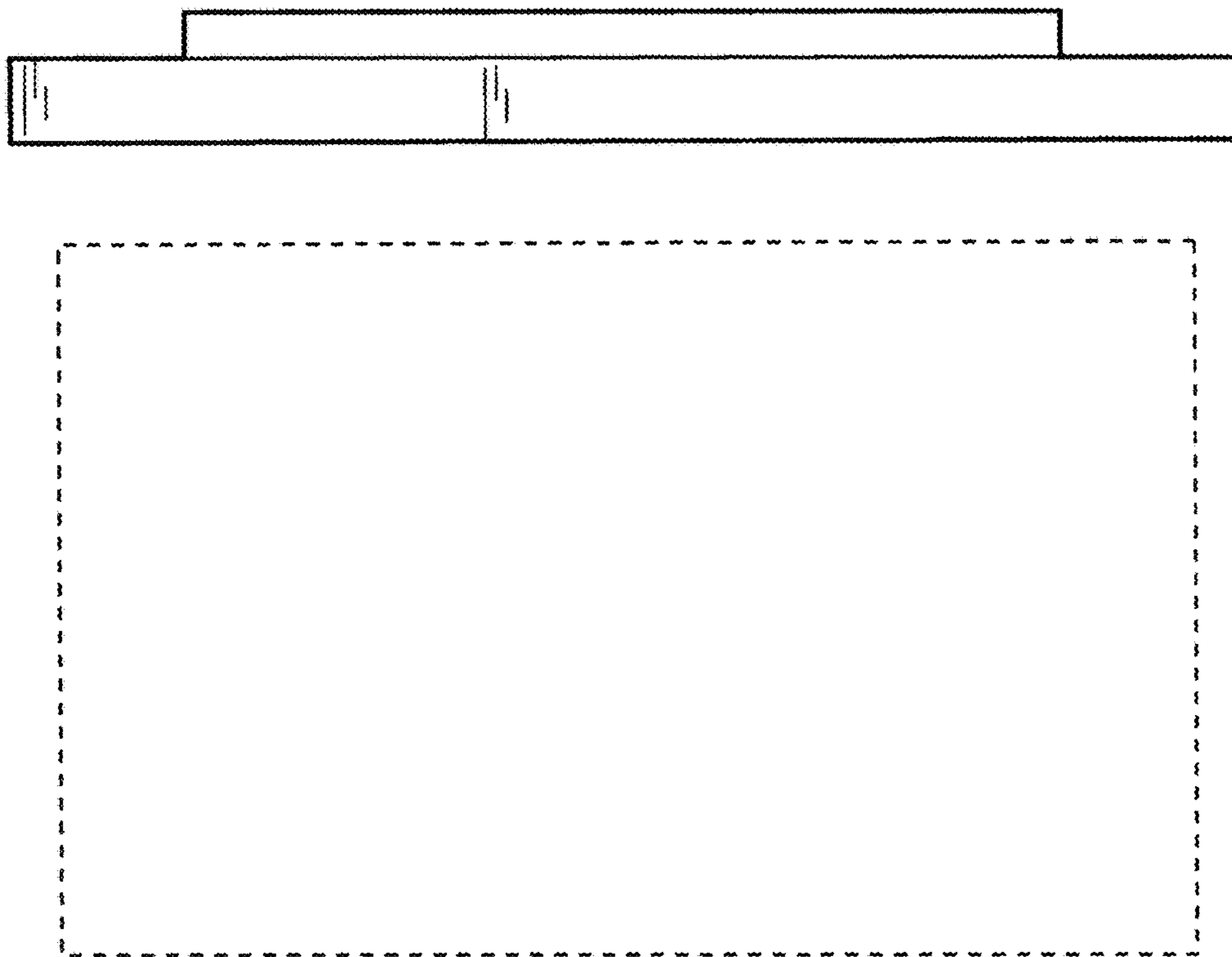


Figure 6



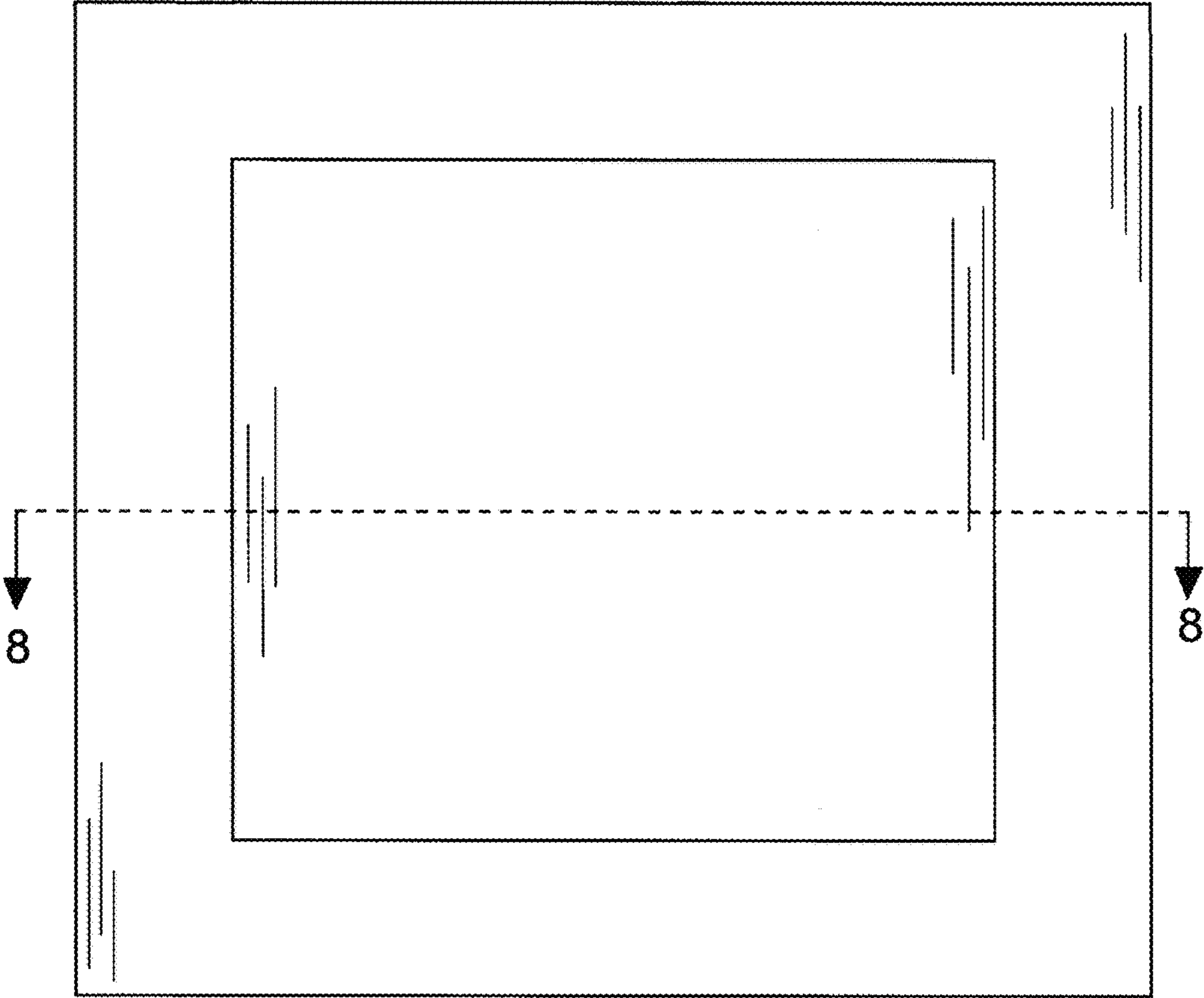


Figure 7

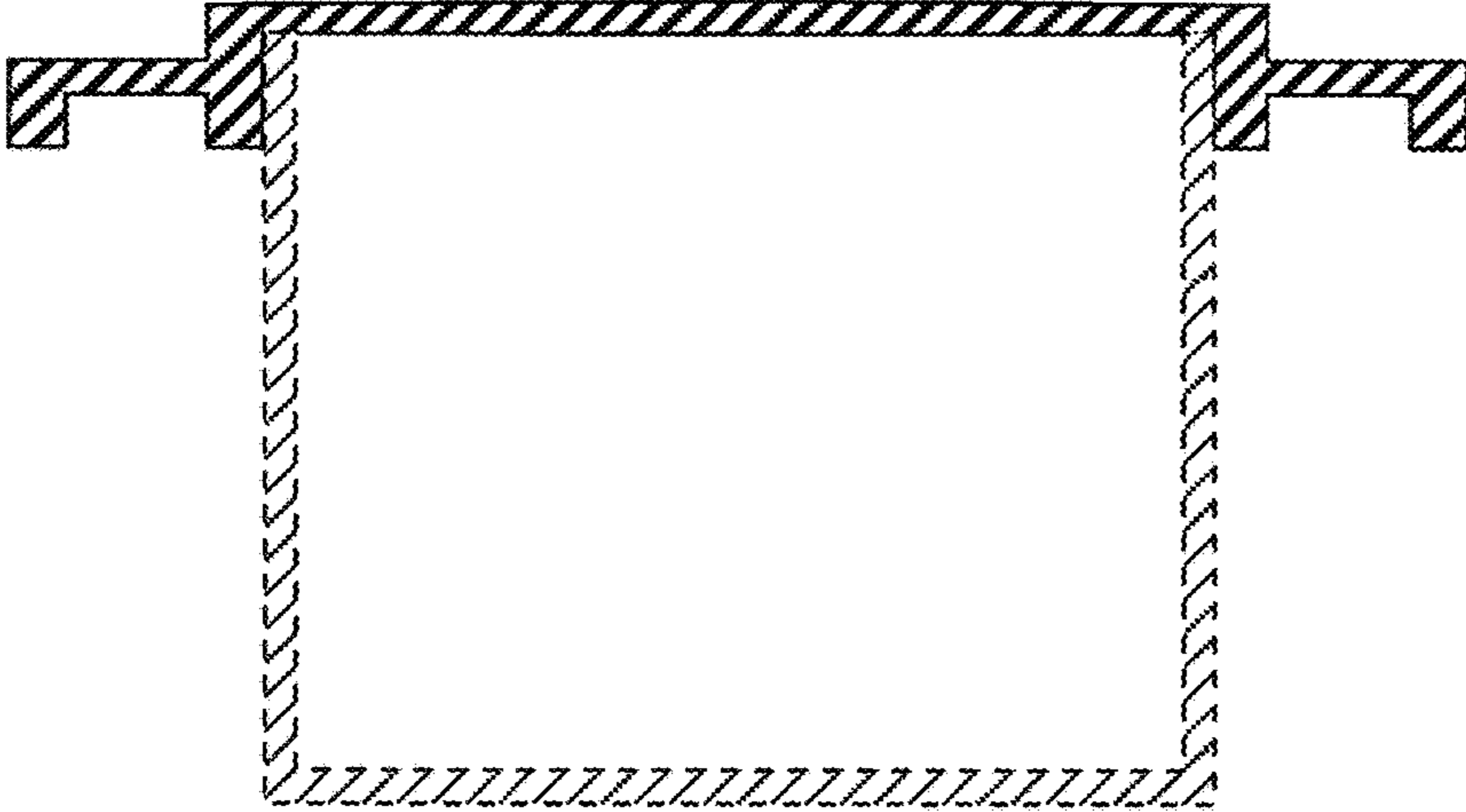


Figure 8

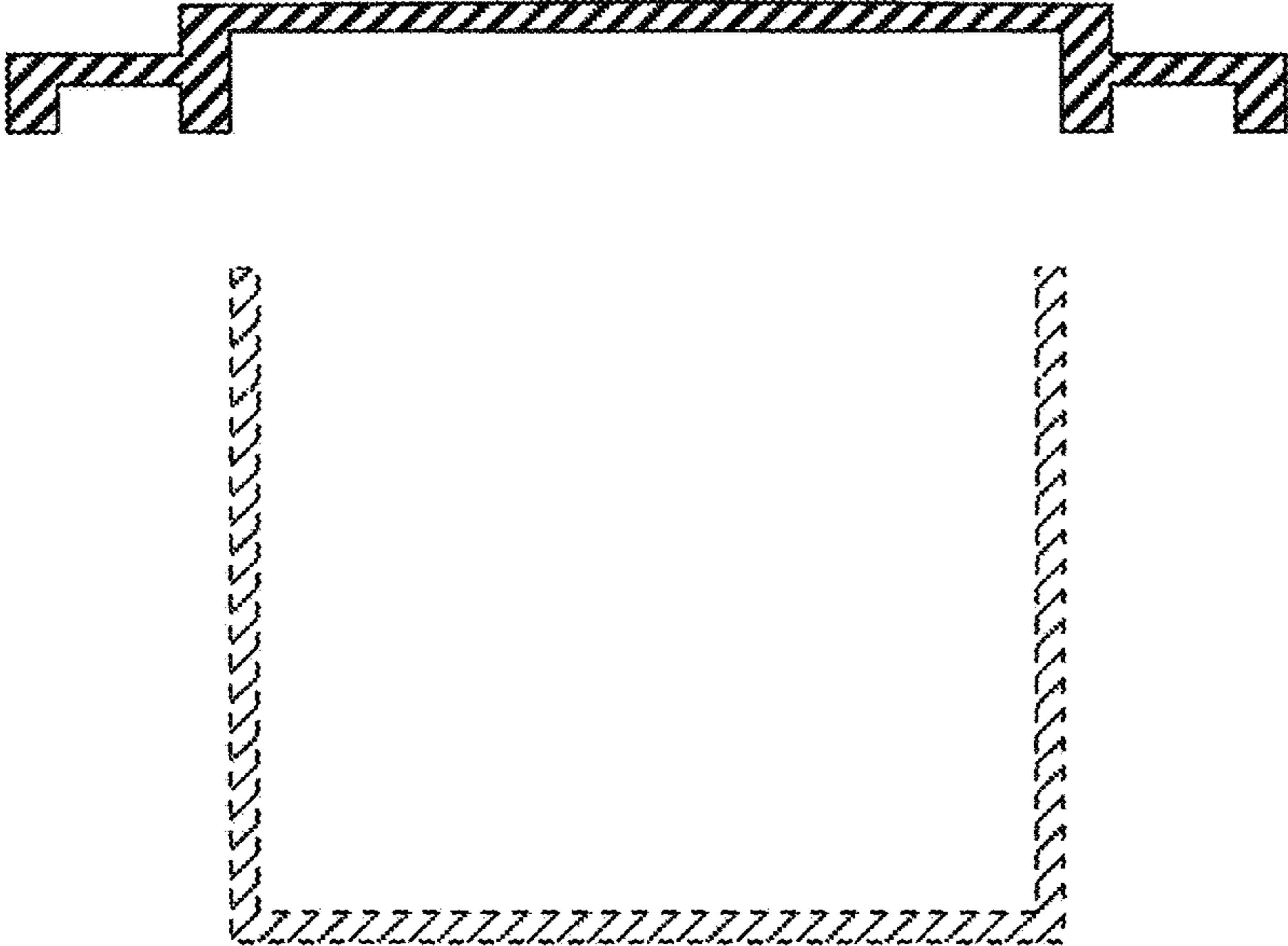


Figure 9

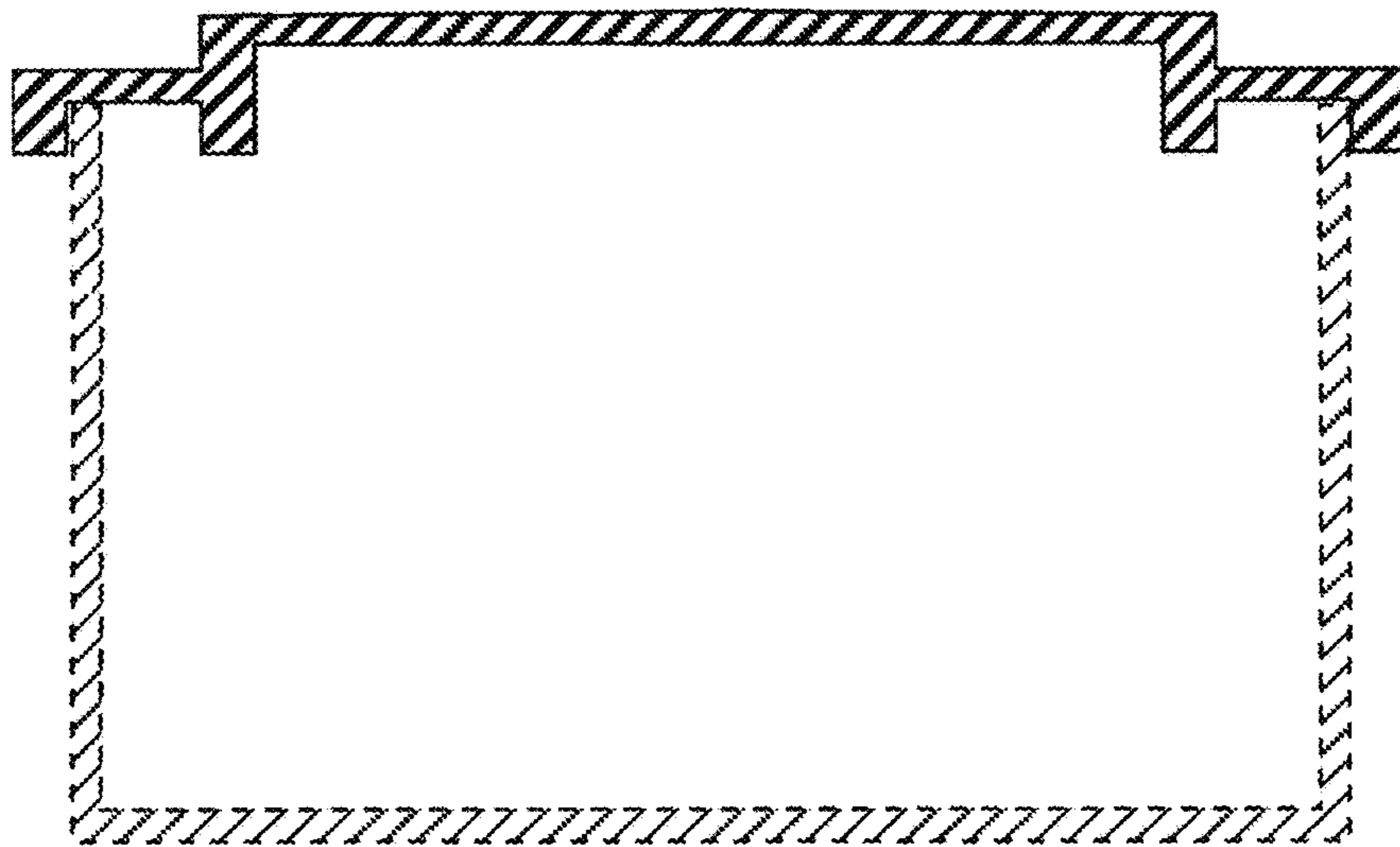


Figure 10

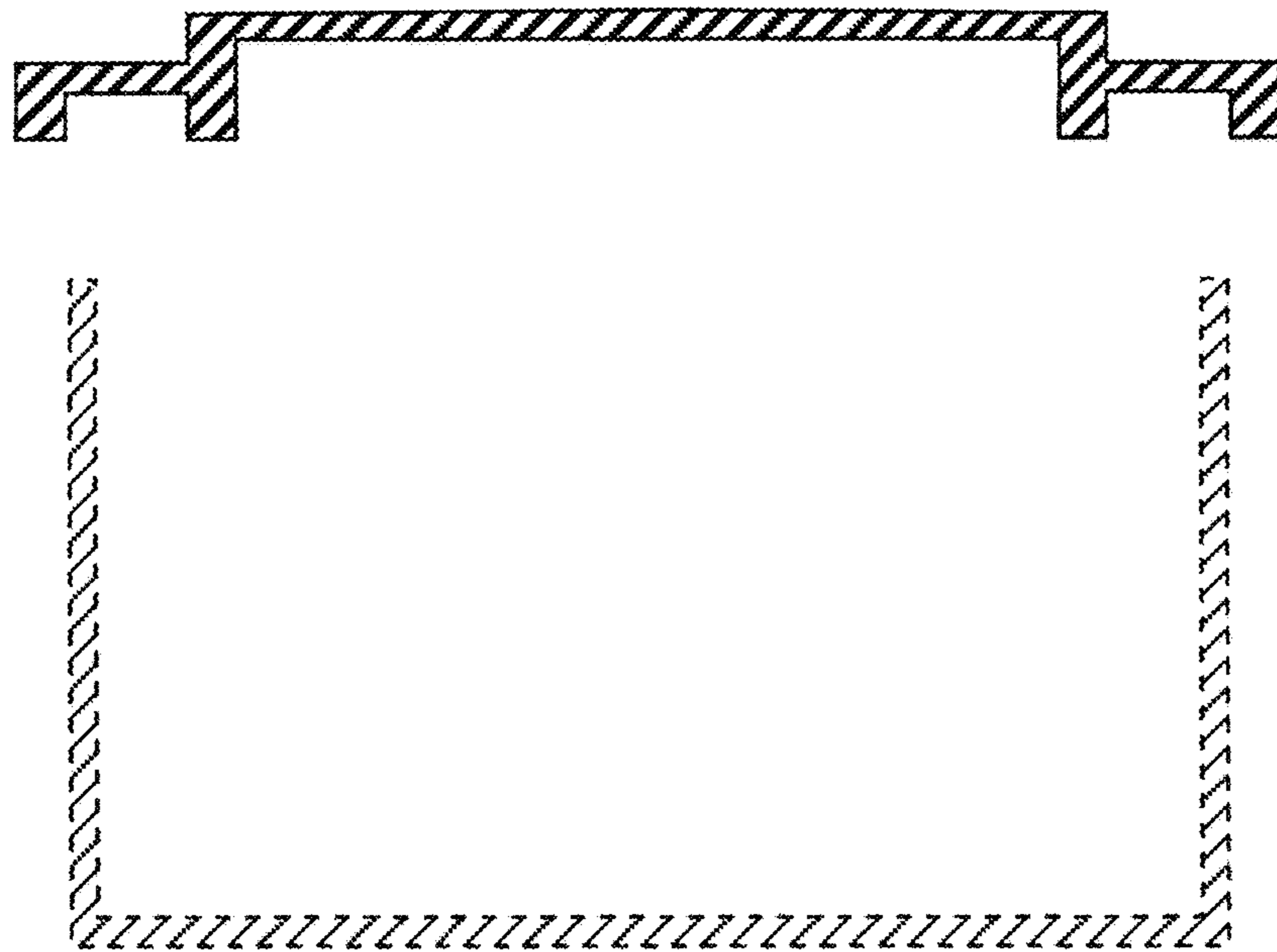


Figure 11