



US00D787935S

(12) **United States Design Patent**
Kaiser

(10) **Patent No.:** **US D787,935 S**

(45) **Date of Patent:** **** May 30, 2017**

(54) **GROWLER LID WITH CARRYING HANDLE**

(71) Applicant: **Mark Christian Kaiser**, Minneapolis,
MN (US)

(72) Inventor: **Mark Christian Kaiser**, Minneapolis,
MN (US)

(**) Term: **14 Years**

(21) Appl. No.: **29/521,485**

(22) Filed: **Mar. 24, 2015**

(51) **LOC (10) Cl.** **09-07**

(52) **U.S. Cl.**
USPC **D9/435**

(58) **Field of Classification Search**
USPC D9/435-436, 447, 452, 485-486, 439,
D9/443
CPC B65D 39/00; B65D 39/16; B65D 42/00;
B65D 42/02; B65D 43/32; B65D 45/04;
B65D 50/00; B65D 50/02; B65D 51/005;
B65D 51/007; B65D 51/14; B65D
51/145; B65D 51/18; B65D 51/28; B65D
51/2807; B65D 53/02

See application file for complete search history.

(56) **References Cited**

U.S. PATENT DOCUMENTS

- 116,844 A * 7/1871 Savery B65D 51/28
220/521
- 328,672 A * 10/1885 Hayward B65D 39/16
215/291
- 590,908 A * 9/1897 Pendleton, Jr. B65D 51/145
215/276
- 1,338,494 A * 4/1920 Daniel B65D 39/16
215/272
- 1,669,216 A * 5/1928 Stanley B65D 45/04
215/238
- 2,003,460 A * 6/1935 Paull B65D 39/16
126/373.1

- 2,582,269 A * 1/1952 Oftedahl B65D 39/16
16/444
- D206,029 S * 10/1966 Stull D9/443
- D276,790 S * 12/1984 Laske D9/443
- D414,685 S * 10/1999 Chahed D9/443
- D415,426 S * 10/1999 Herrmann D9/443
- 6,227,393 B1 * 5/2001 Takeuchi B29C 45/0081
215/396
- D743,269 S * 11/2015 Pape D9/550
- D758,859 S * 6/2016 Sorensen D7/393

(Continued)

Primary Examiner — Robin V Webster

Assistant Examiner — Rachel Voorhies

(74) *Attorney, Agent, or Firm* — Antonio Papageorgiou;
Meister Seelig & Fein LLP

(57) **CLAIM**

The ornamental design for growler lid with carrying handle,
as shown and described.

DESCRIPTION

FIG. 1 is a perspective view of one side and the front of the
growler lid with carrying handle according to one embodi-
ment of my new design;

FIG. 2 is a front view thereof, the back side being equal and
opposite;

FIG. 3 is a left side view thereof, the right side being equal
and opposite;

FIG. 4 is a top view thereof;

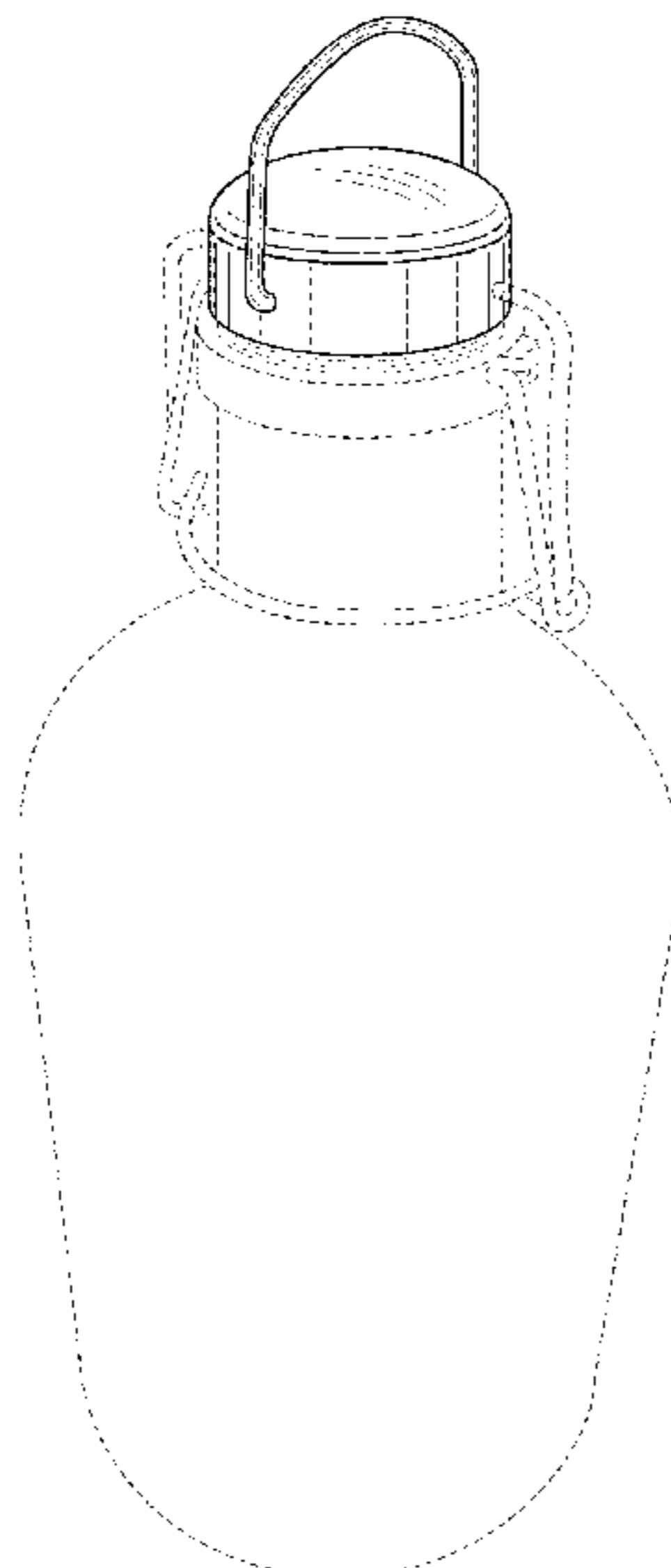
FIG. 5 is a bottom view thereof; and,

FIG. 6 is another embodiment of a top view like FIG. 4 (the
front, left side and bottom views thereof being the same as
FIGS. 2, 3, and 5, respectively).

The dashed lines, shown in the drawings, are for illustrative
purposes only and form no part of the claimed design.

An application for the logo Growl Steel, forming part of the
claimed design, has been filed for U.S. federal trademark
registration by the Kaiser Group Inc.

1 Claim, 4 Drawing Sheets



(56)

References Cited

U.S. PATENT DOCUMENTS

D760,586 S * 7/2016 Seiders D7/392.1
2006/0151422 A1 * 7/2006 Manley B65D 39/08
215/341

* cited by examiner

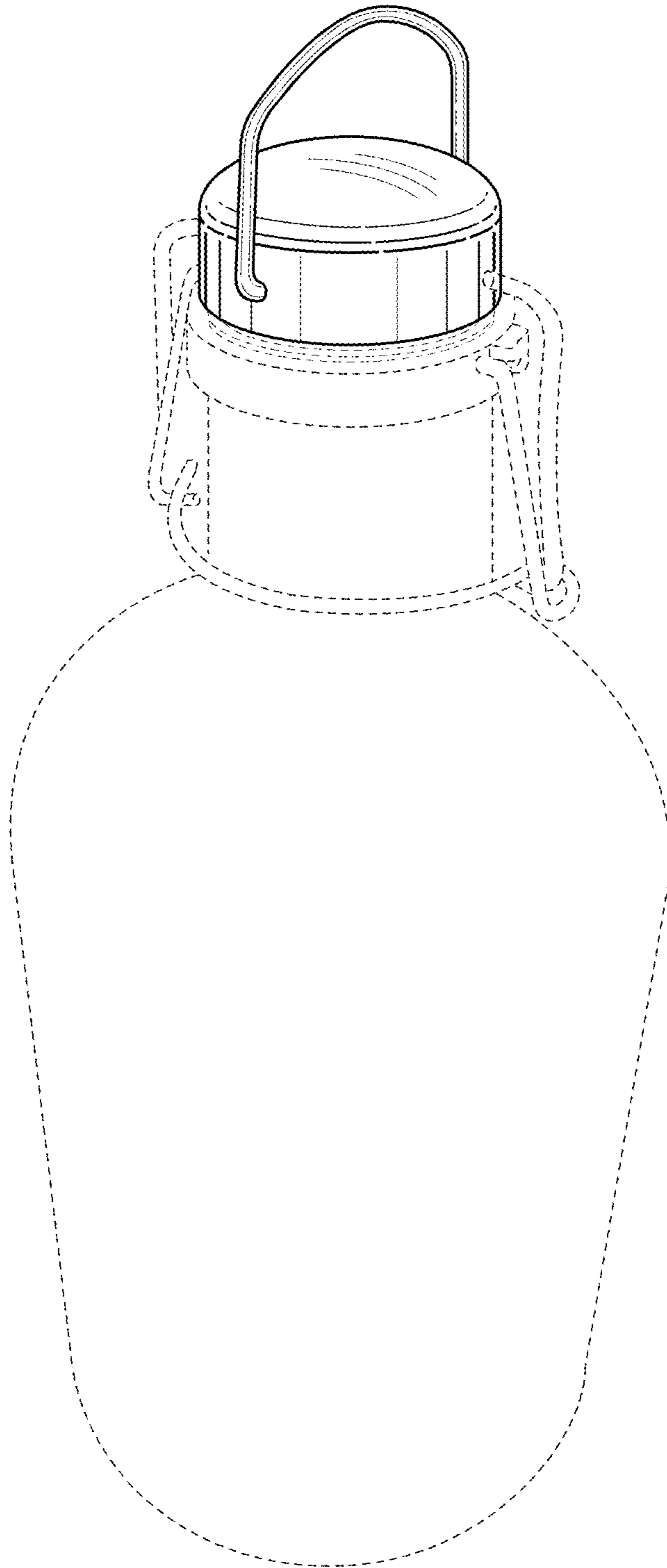


FIG. 1

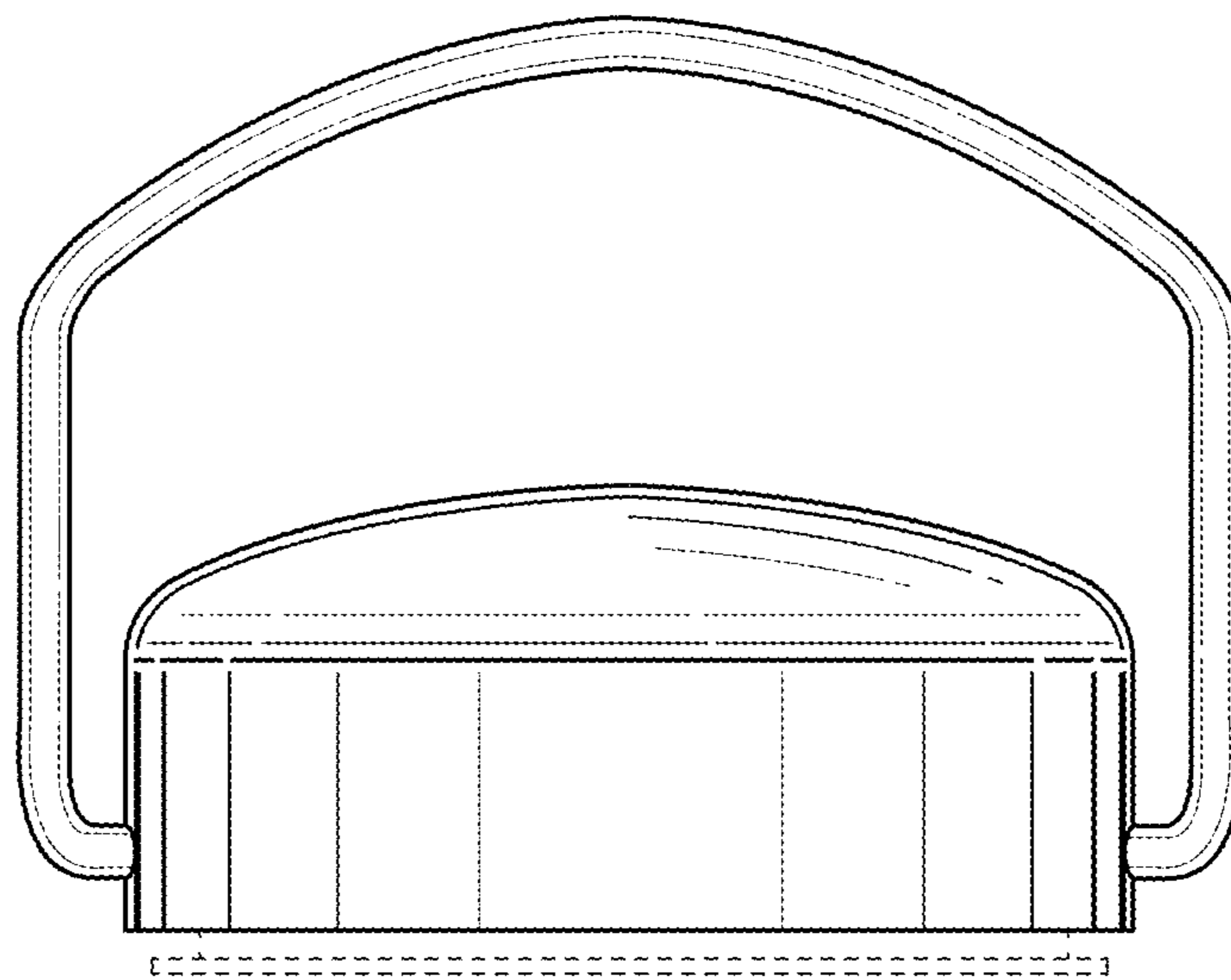


FIG. 2

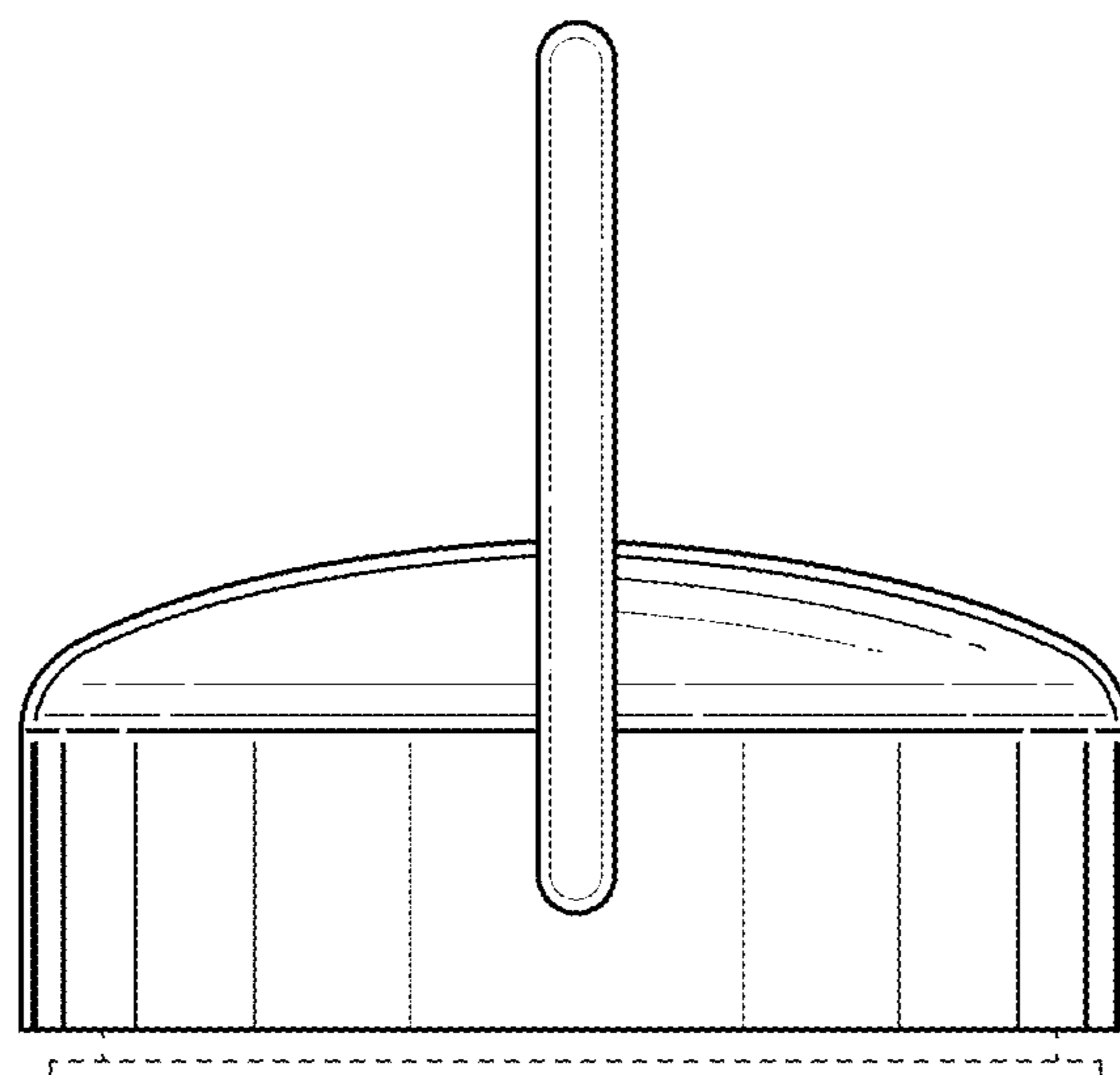


FIG. 3

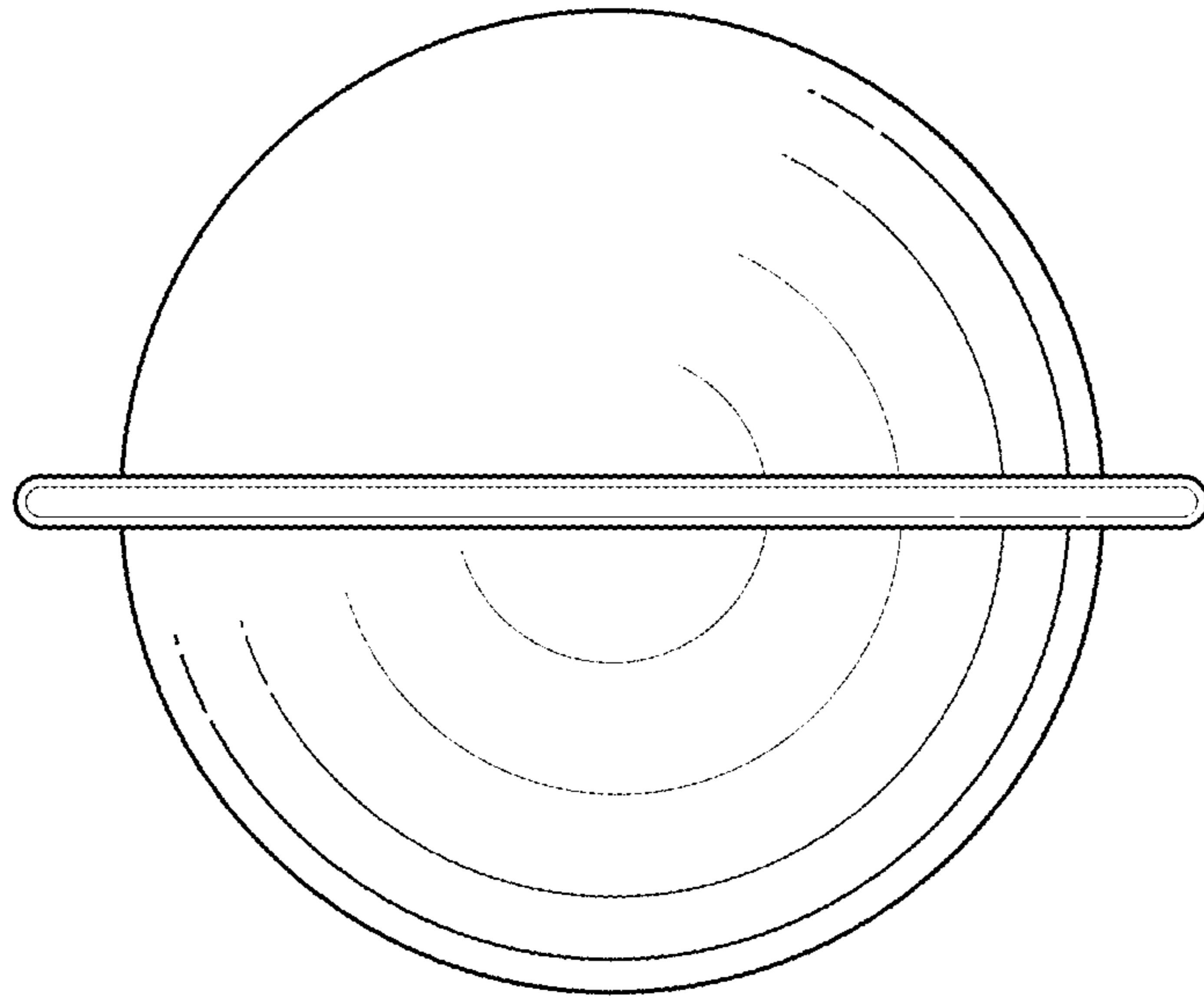


FIG. 4

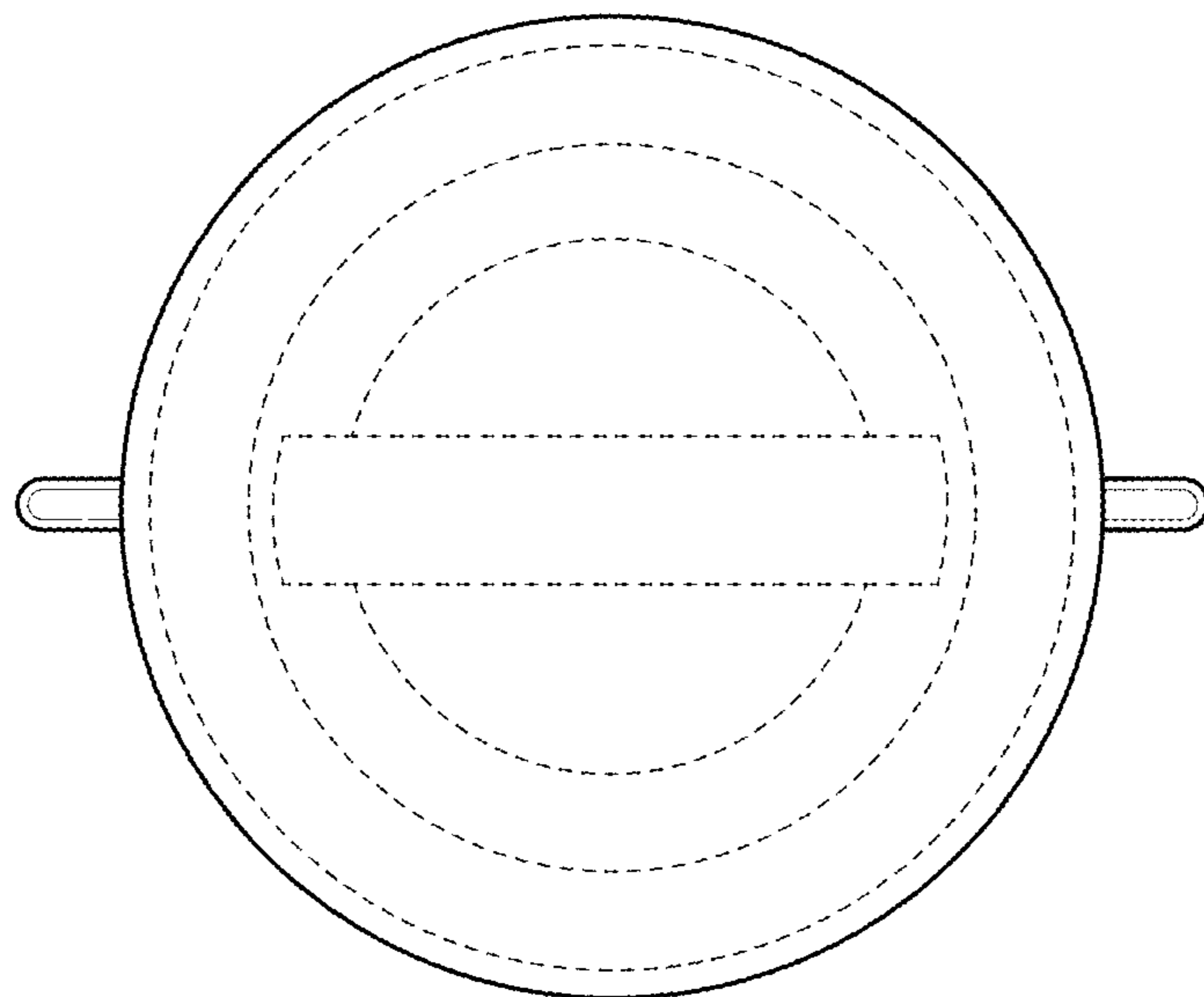


FIG. 5



FIG. 6