



US00D787932S

(12) **United States Design Patent**
Park et al.

(10) **Patent No.:** **US D787,932 S**

(45) **Date of Patent:** **** May 30, 2017**

(54) **LID FOR FOOD WRAPPING BOX**

- (71) Applicant: **Paris Croissant Co., Ltd.**,
Gyeonggi-do (KR)
- (72) Inventors: **Jun Hee Park**, Seoul (KR); **Su Jin Lee**, Gyeonggi-do (KR); **Min Ho Dong**, Gyeonggi-do (KR)
- (73) Assignee: **Paris Croissant Co., Ltd.**,
Gyeonggi-do (KR)

(**) Term: **15 Years**

(21) Appl. No.: **29/563,331**

(22) Filed: **May 4, 2016**

(30) **Foreign Application Priority Data**

Nov. 4, 2015 (KR) 30-2015-0055648

(51) **LOC (10) Cl.** **09-03**

(52) **U.S. Cl.**
USPC **D9/432**

(58) **Field of Classification Search**
 USPC D9/414-434, 442-445, 456, 457, 542,
 D9/563, 600, 614-624, 655, 657, 658,
 D9/661, 685, 695, 697-699, 707, 708,
 D9/711, 754, 759, 772-776; D3/273,
 D3/276, 304, 305, 307, 309-313;
 D7/601, 602; D19/75, 90
 CPC B65D 5/00; B65D 5/001; B65D 5/0015;
 B65D 5/1209; B65D 5/0227-5/0254;
 B65D 5/18; B65D 5/6605; B65B 5/06
 See application file for complete search history.

(56) **References Cited**

U.S. PATENT DOCUMENTS

- 2,981,039 A * 4/1961 Pohl B65B 43/08
206/486
- 3,040,956 A * 6/1962 Skowronski B65D 5/0015
229/161

(Continued)

OTHER PUBLICATIONS

MTM Slip-Top Ammo Box 38 Special. [online] Published date unknown. Retrieved on Dec. 19, 2016 from <URL: <https://www.midwayusa.com/product/413664/mtm-slip-top-ammo-box-38-special-357-magnum-round-hole-50-round-plastic-red>>.*

Primary Examiner — Vy Koenig

Assistant Examiner — Omeed Agilee

(74) *Attorney, Agent, or Firm* — Fish & Tsang LLP

(57) **CLAIM**

We claim the ornamental design for a lid for food wrapping box, as shown and described.

DESCRIPTION

The patent or application file contains at least one drawing executed in color. Copies of this patent or patent application publication with color drawing(s) will be provided by the Office upon request and payment of the necessary fee.

FIG. 1 is a perspective view of a lid for food wrapping box of the new design.

FIG. 2 is a front view of the lid for food wrapping box of the new design.

FIG. 3 is a rear view of the lid for food wrapping box of the new design.

FIG. 4 is a left side view of the lid for food wrapping box of the new design.

FIG. 5 is a right side view of the lid for food wrapping box of the new design.

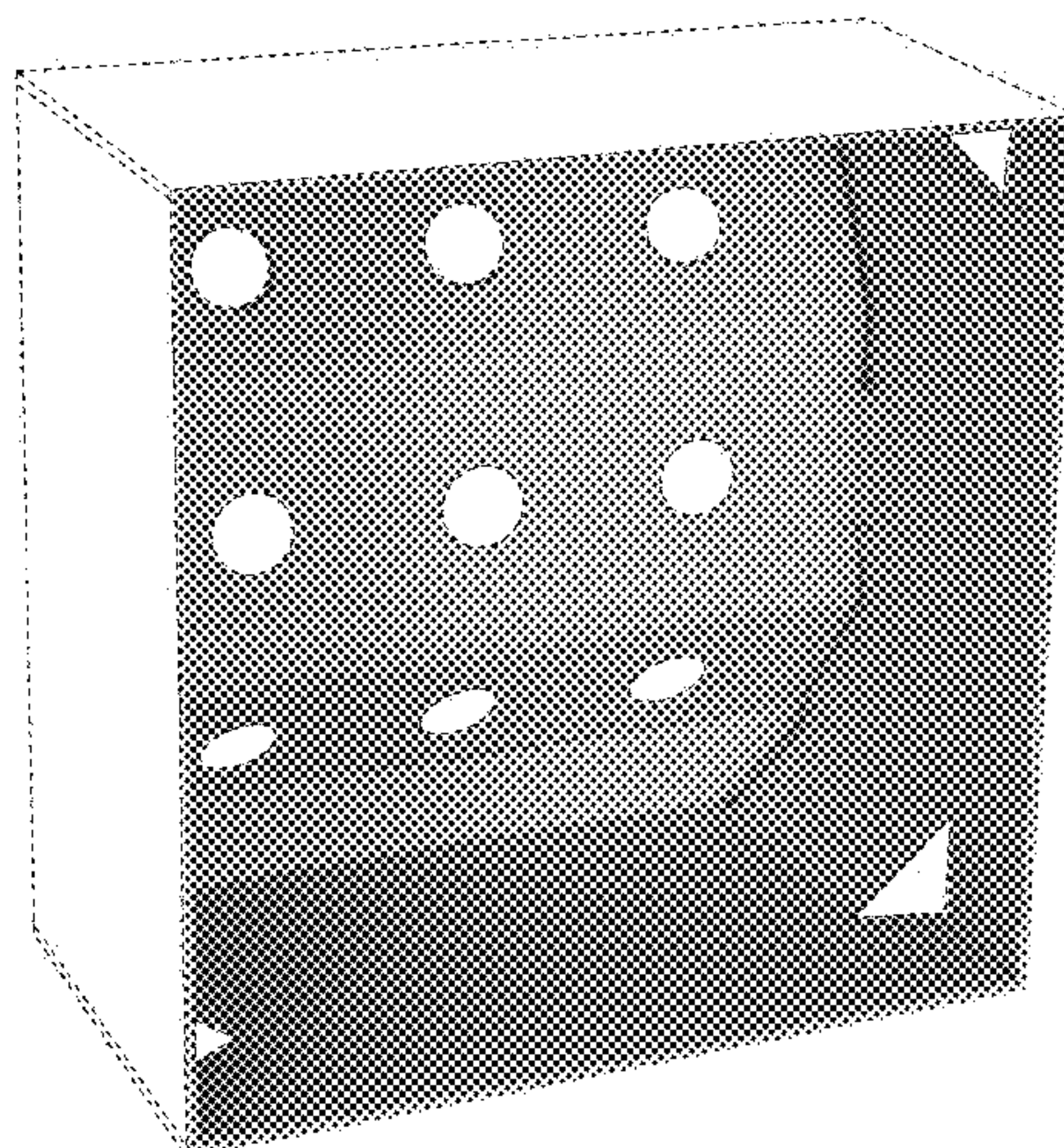
FIG. 6 is a top view of the lid for food wrapping box of the new design.

FIG. 7 is a bottom view of the lid for food wrapping box of the new design; and,

FIG. 8 is an exploded perspective view of the exterior and insert portions of the lid for food wrapping box.

The broken lines shown represent portions of the article that form no part of the claimed design.

1 Claim, 6 Drawing Sheets
(6 of 6 Drawing Sheet(s) Filed in Color)



(56)

References Cited

U.S. PATENT DOCUMENTS

D217,851 S * 6/1970 Yankovich D3/313
4,053,099 A * 10/1977 Lock B65D 71/72
206/562
4,706,809 A * 11/1987 Halsell B65D 5/18
206/319
D339,062 S * 9/1993 Williams D9/432
5,911,320 A * 6/1999 Forestelle B65D 5/0015
206/215
D504,550 S * 4/2005 Setcer, Jr. D99/34
D515,941 S * 2/2006 Hamblin D24/230
D592,401 S * 5/2009 Beavers D3/304
D653,451 S * 2/2012 Elvin-Jensen D3/304
D653,767 S * 2/2012 Lovshe D24/230
D673,795 S * 1/2013 Murrah D6/682.2
D707,547 S * 6/2014 Orgeldinger D3/304
D744,159 S * 11/2015 Lukas D27/172
D765,978 S * 9/2016 Widner D3/314
2002/0108880 A1 * 8/2002 Krupa B65D 5/5038
206/497
2014/0326782 A1 * 11/2014 De Beer B65D 5/002
229/117
2016/0318685 A1 * 11/2016 Droege B65D 5/0227

* cited by examiner

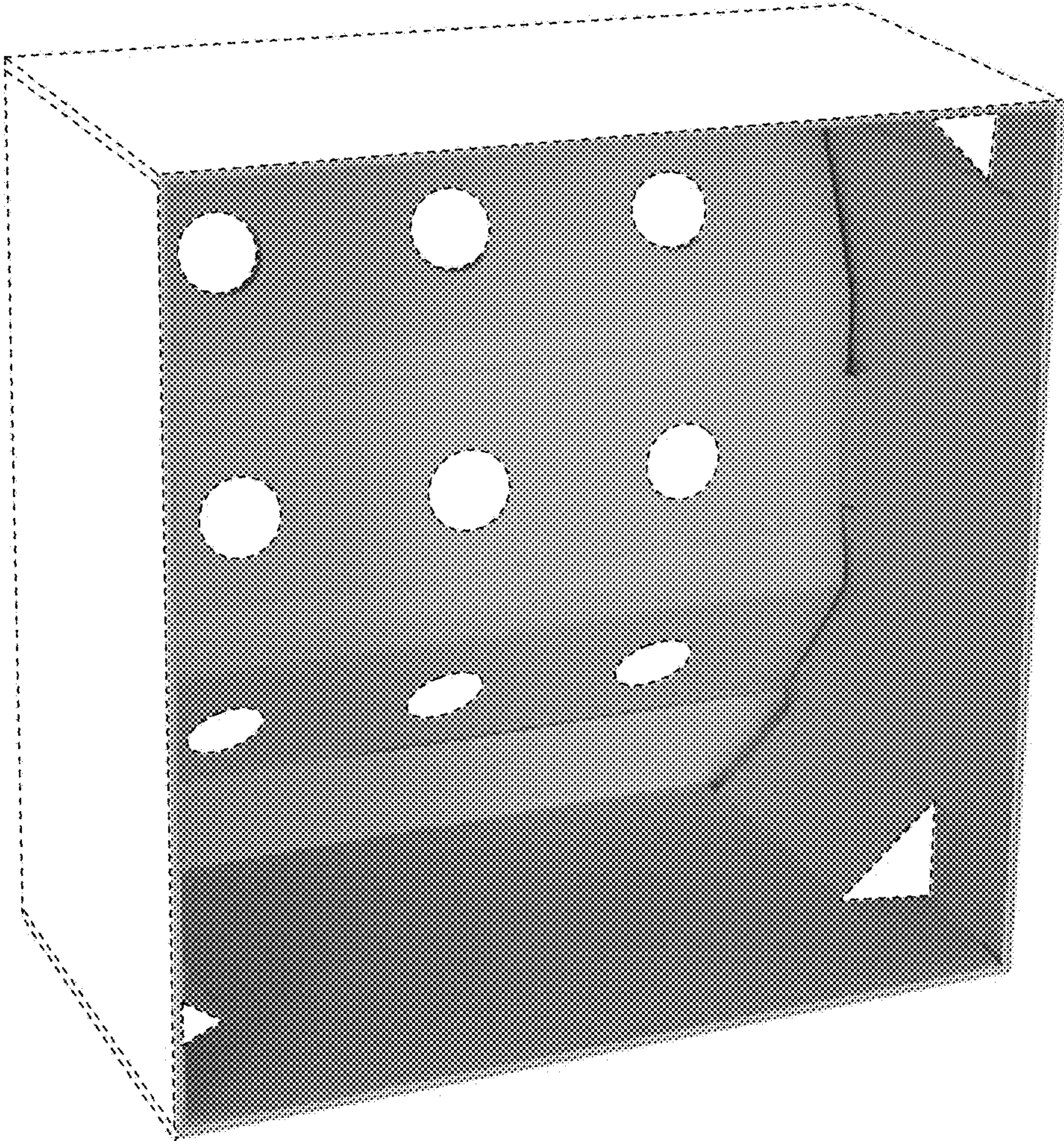


FIG. 1

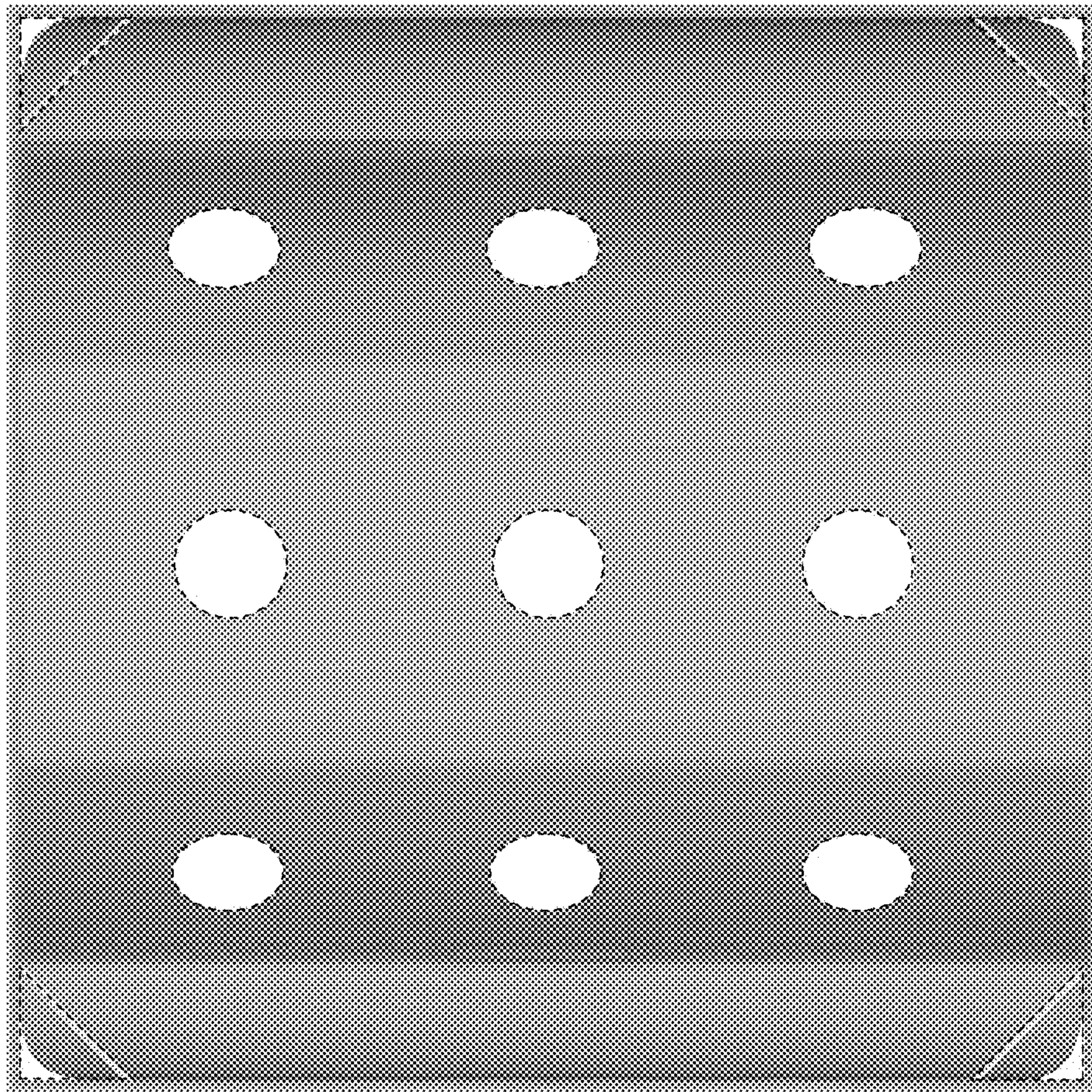


FIG. 2

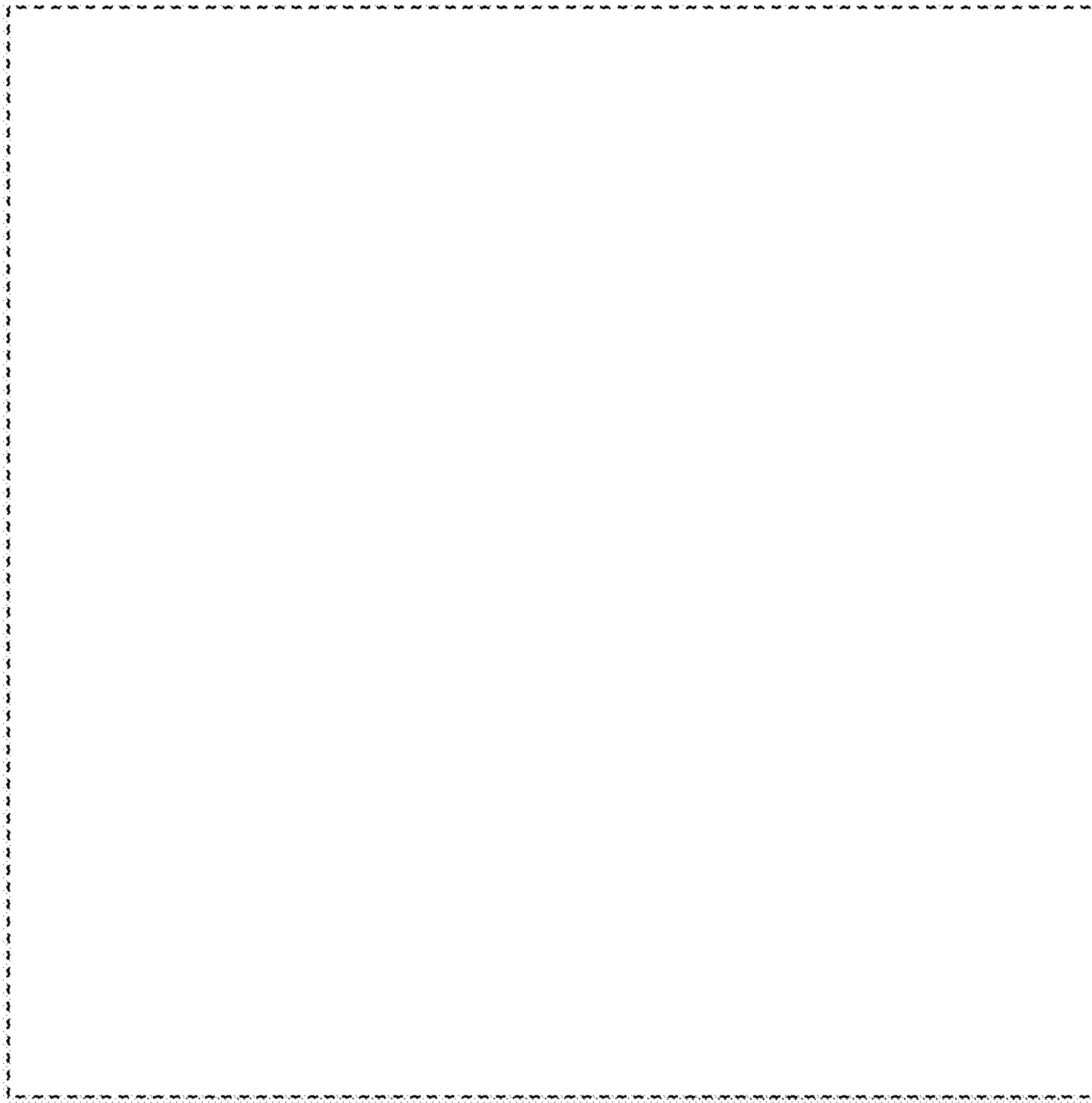


FIG. 3



FIG. 4



FIG. 5



FIG. 6



FIG. 7

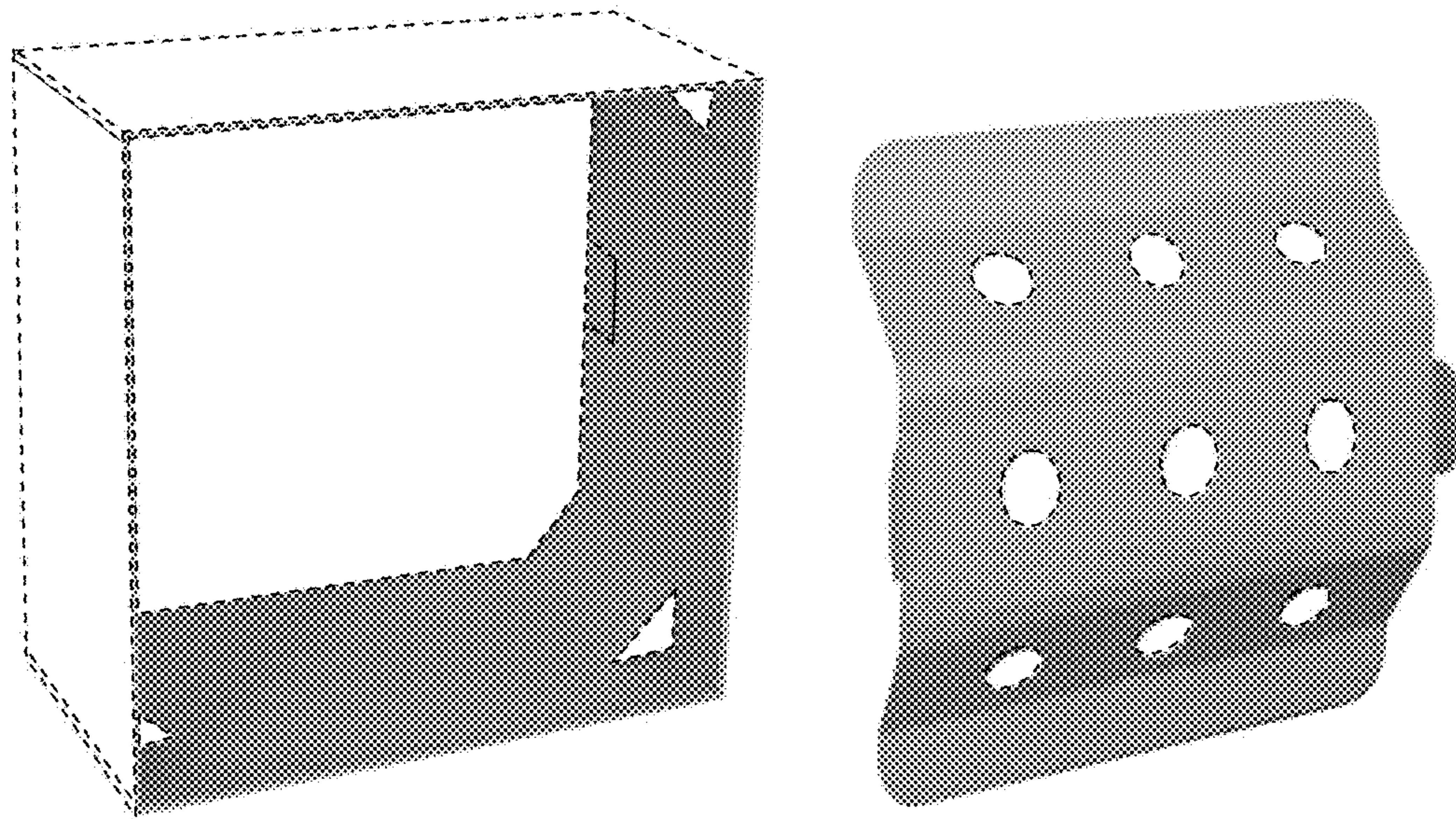


FIG. 8