



US00D787930S

(12) **United States Design Patent**  
**Buck**

(10) **Patent No.:** **US D787,930 S**

(45) **Date of Patent:** **\*\* May 30, 2017**

(54) **FOOD CONTAINER**

(71) Applicant: **Ronald Mark Buck**, Encinitas, CA  
(US)

(72) Inventor: **Ronald Mark Buck**, Encinitas, CA  
(US)

(73) Assignee: **SNACKTOPS, INC.**, Carlsbad, CA  
(US)

(\*\*) Term: **15 Years**

(21) Appl. No.: **29/542,071**

(22) Filed: **Oct. 9, 2015**

(51) **LOC (10) Cl.** ..... **09-03**

(52) **U.S. Cl.**  
USPC ..... **D9/425**

(58) **Field of Classification Search**  
USPC ..... D7/396.1, 538-545, 602, 608, 629;  
D9/414, 420, 424-429, 432, 761;  
206/499, 508, 557; 220/23.4, 23.6, 315,  
220/500, 659, 669, 674, 675, 696, 752,  
220/760, 790, 793; 229/105, 117.09,  
229/117.26, 189, 406, 407, 902, 905  
CPC ... B65D 1/26; B65D 1/34; B65D 1/36; B65D  
1/40; B65D 1/0223; B65D 25/04; B65D  
43/0212; B65D 79/005; B65D 81/34;  
B65D 81/3453; B65D 2543/00027; B65D  
2543/00648; B65D 2581/34; B65D  
2581/3404; B65D 2581/3456  
See application file for complete search history.

(56) **References Cited**

**U.S. PATENT DOCUMENTS**

D275,886 S \* 10/1984 Sheward ..... D24/227  
D296,191 S \* 6/1988 Yoshida ..... D9/425  
D378,039 S \* 2/1997 Ferris ..... D7/602  
D488,718 S \* 4/2004 Passerini ..... D9/425  
D502,045 S \* 2/2005 Isler ..... D7/354

D527,952 S \* 9/2006 Roth ..... D7/540  
D606,812 S \* 12/2009 Wu ..... D7/629  
D696,057 S \* 12/2013 Green ..... D7/354  
D699,568 S \* 2/2014 Epstein ..... D9/425  
D700,480 S \* 3/2014 Yessin ..... D7/602  
D706,621 S \* 6/2014 Tuchrelo ..... D9/425

\* cited by examiner

*Primary Examiner* — Ian Simmons

*Assistant Examiner* — Janice Lim

(74) *Attorney, Agent, or Firm* — Manuel de la Cerra

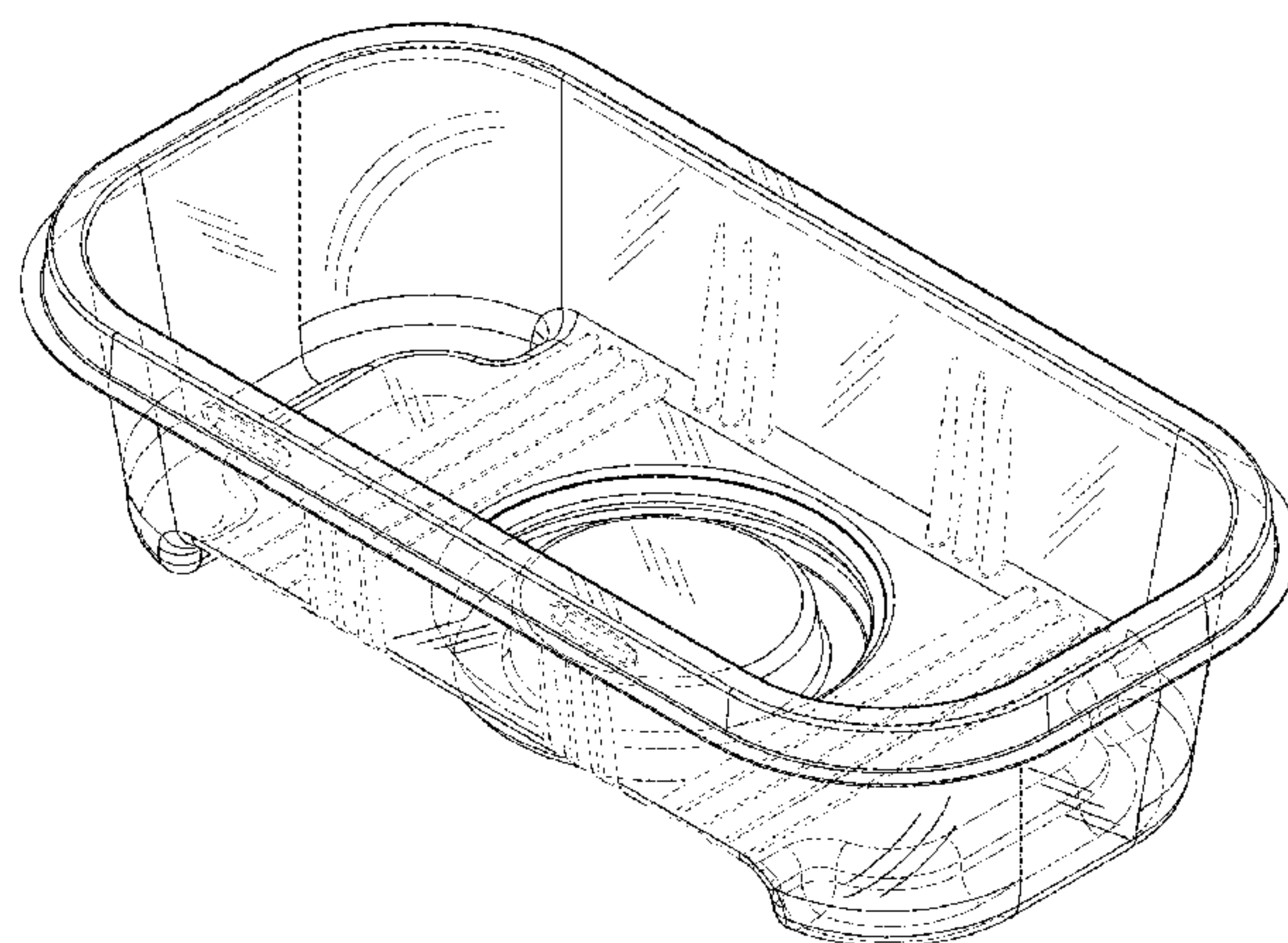
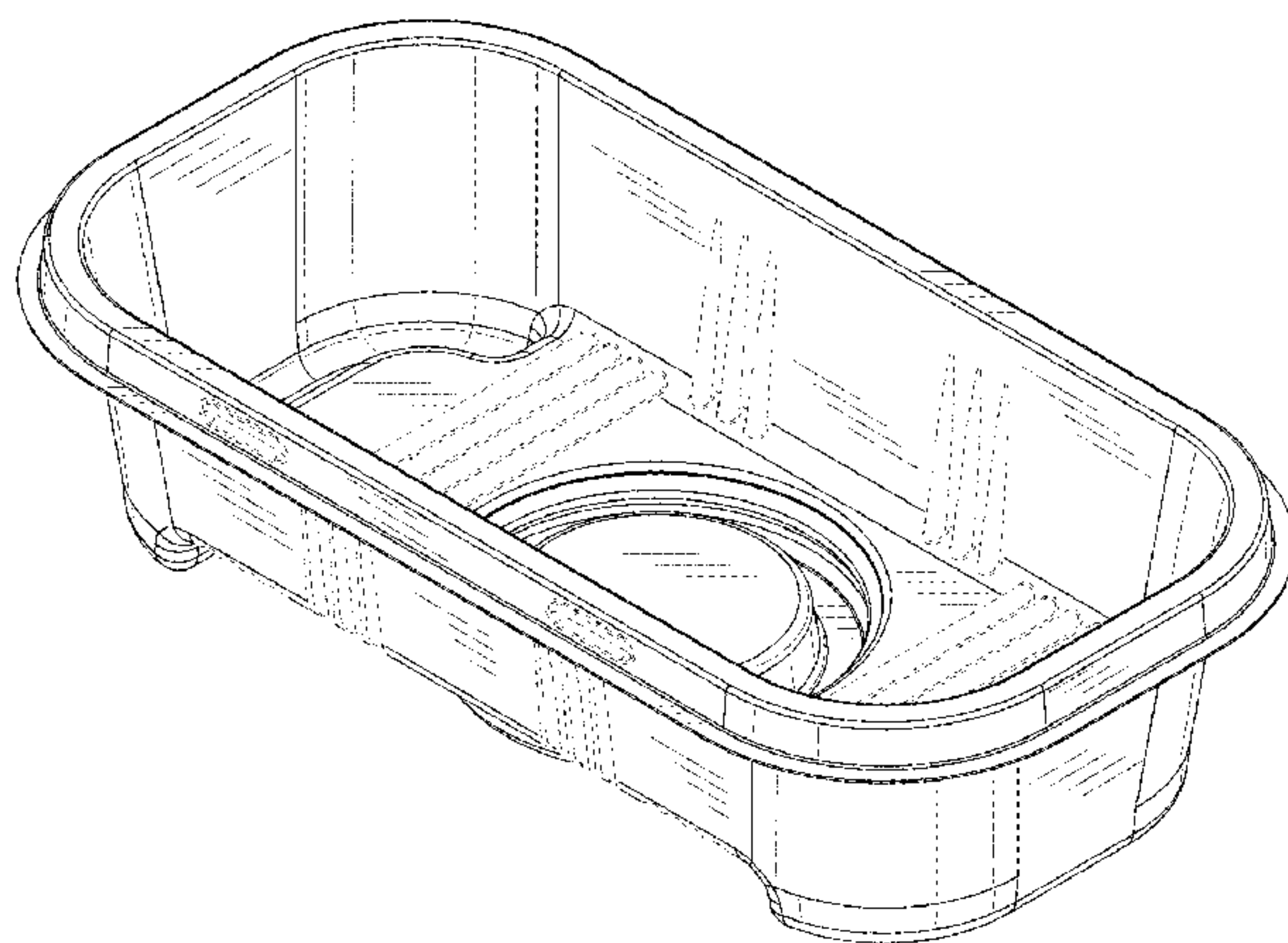
(57) **CLAIM**

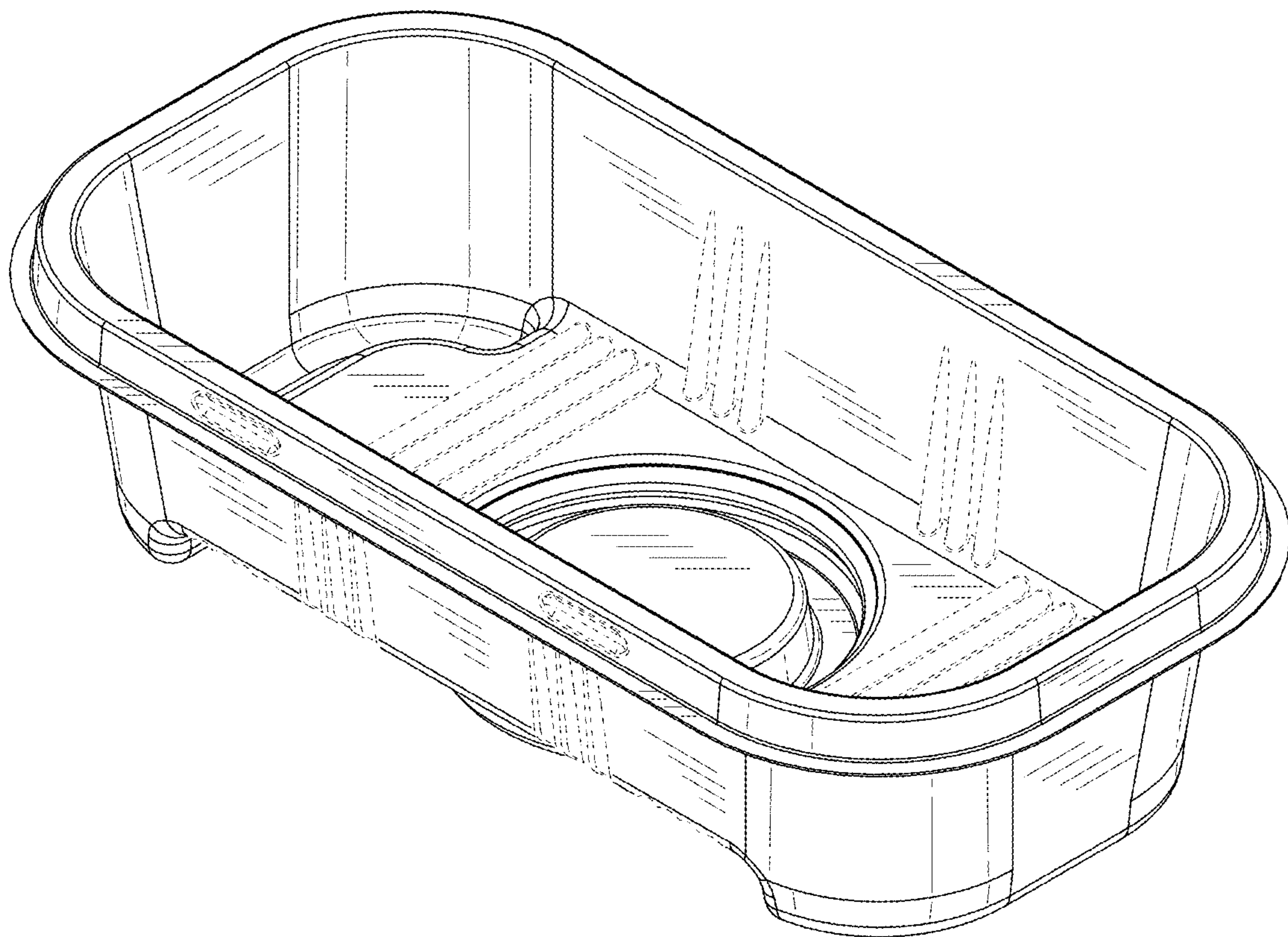
The ornamental design for a food container, as shown and described.

**DESCRIPTION**

FIG. 1 is a top perspective view of embodiment one, of a food container, showing my new design.  
FIG. 2 is a bottom perspective view thereof.  
FIG. 3 is a top perspective view thereof, shown in environmental use.  
FIG. 4 is a bottom perspective view thereof, shown in environmental use.  
FIG. 5 is a top perspective view thereof, shown in environmental use in detached condition.  
FIG. 6 is a bottom perspective view thereof, shown in environmental use in detached condition.  
FIG. 7 is a top view thereof.  
FIG. 8 is a bottom view thereof.  
FIG. 9 is a front view thereof, and the rear view being a mirror image thereof.  
FIG. 10 is a left side view thereof, and the right side view being a mirror image thereof.  
FIG. 11 is a top perspective view of embodiment two, of a food container, showing my new design; and,  
FIG. 12 is a bottom perspective view thereof.  
The broken lines portions shown unclaimed subject matter only and form no part of the claimed design.

**1 Claim, 9 Drawing Sheets**





*FIG. 1*



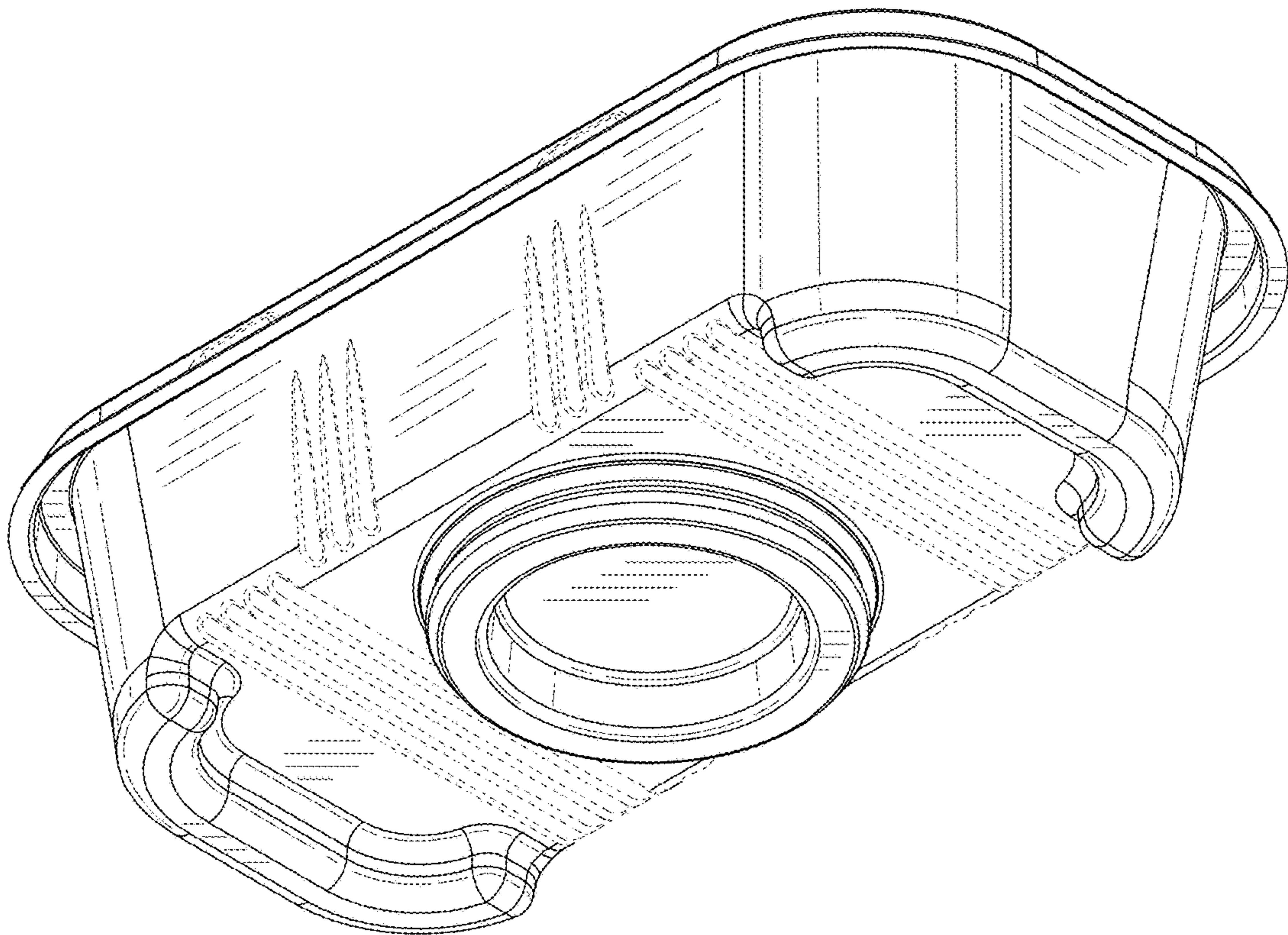


FIG. 2

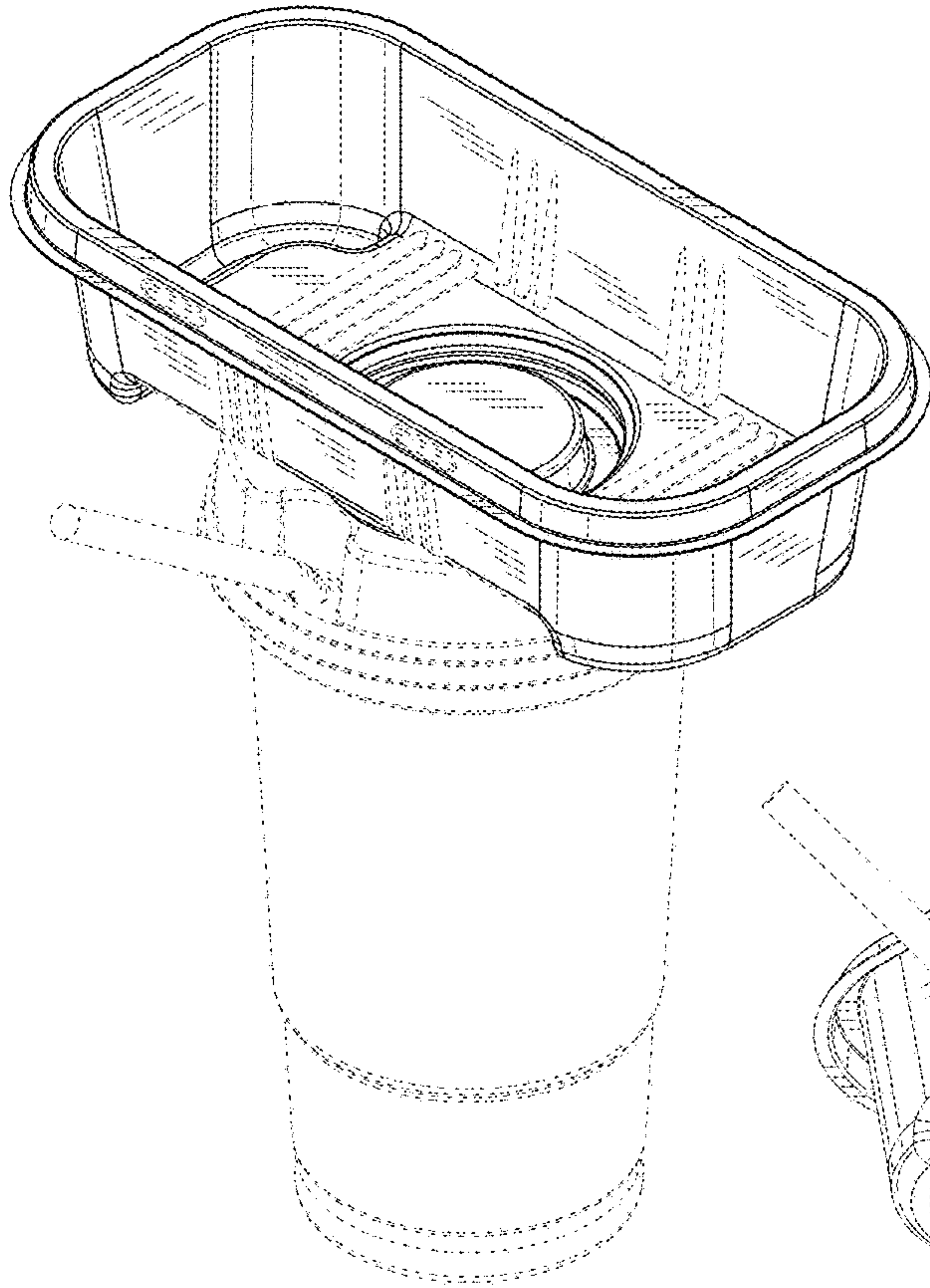


FIG. 3

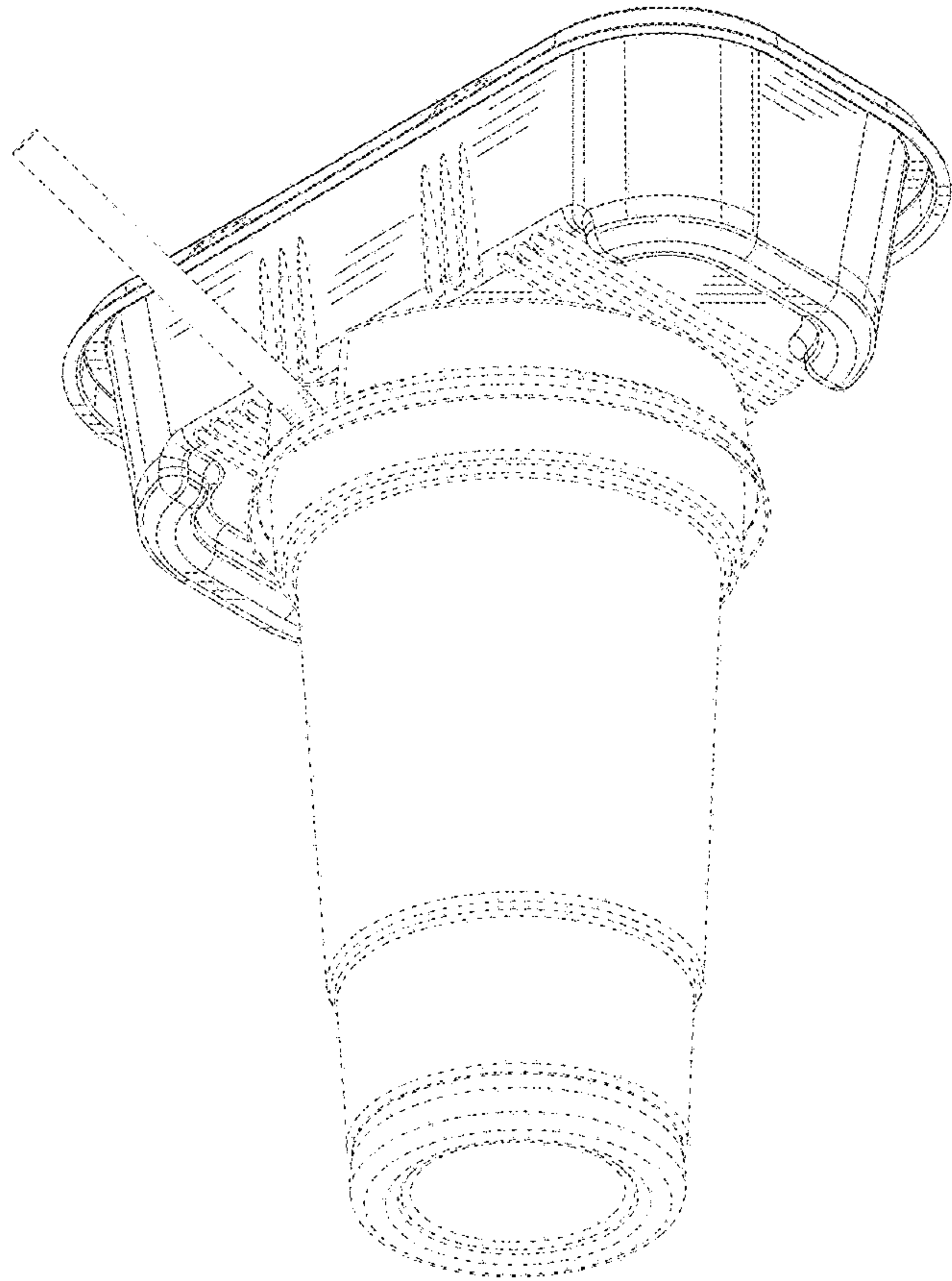
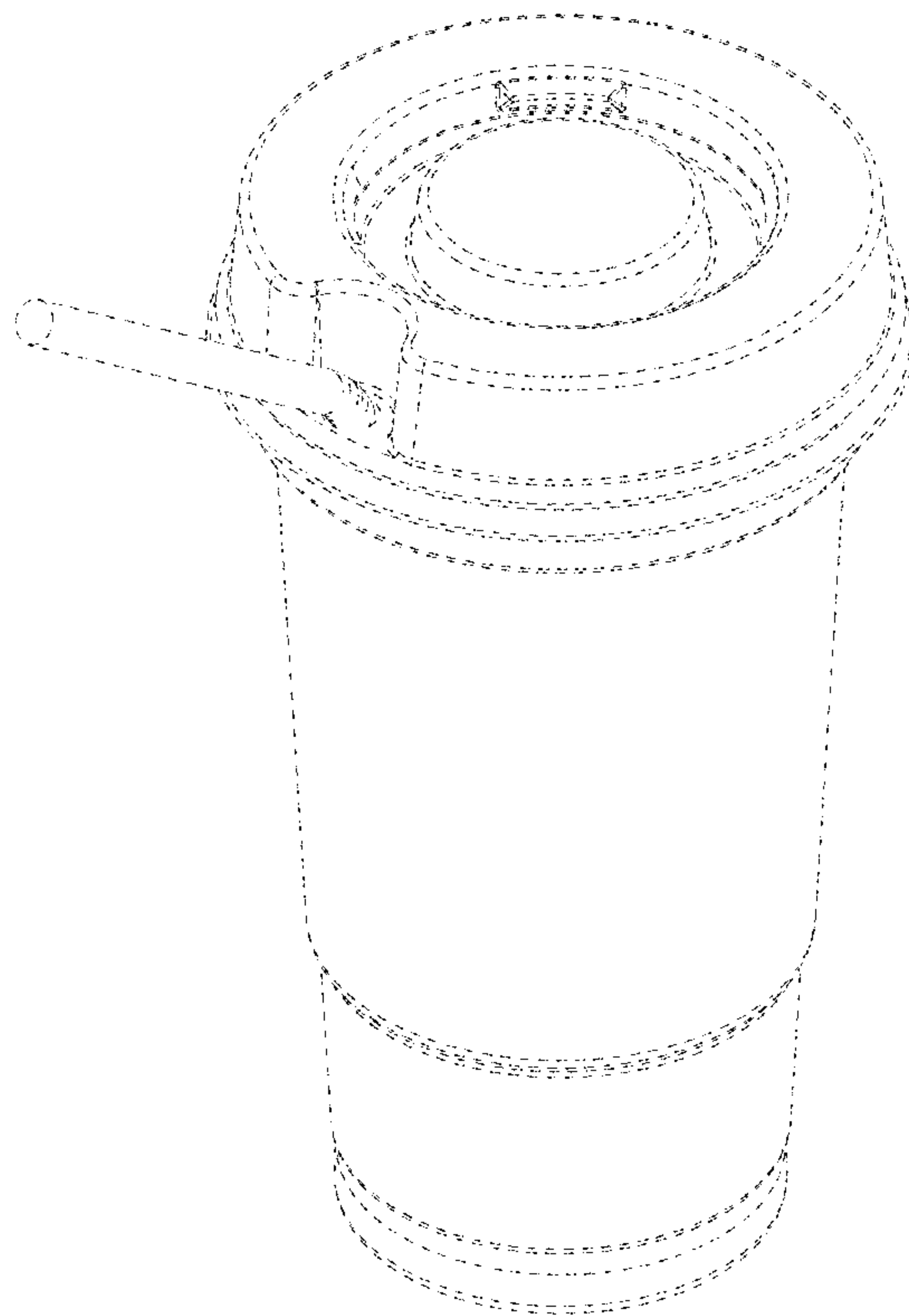
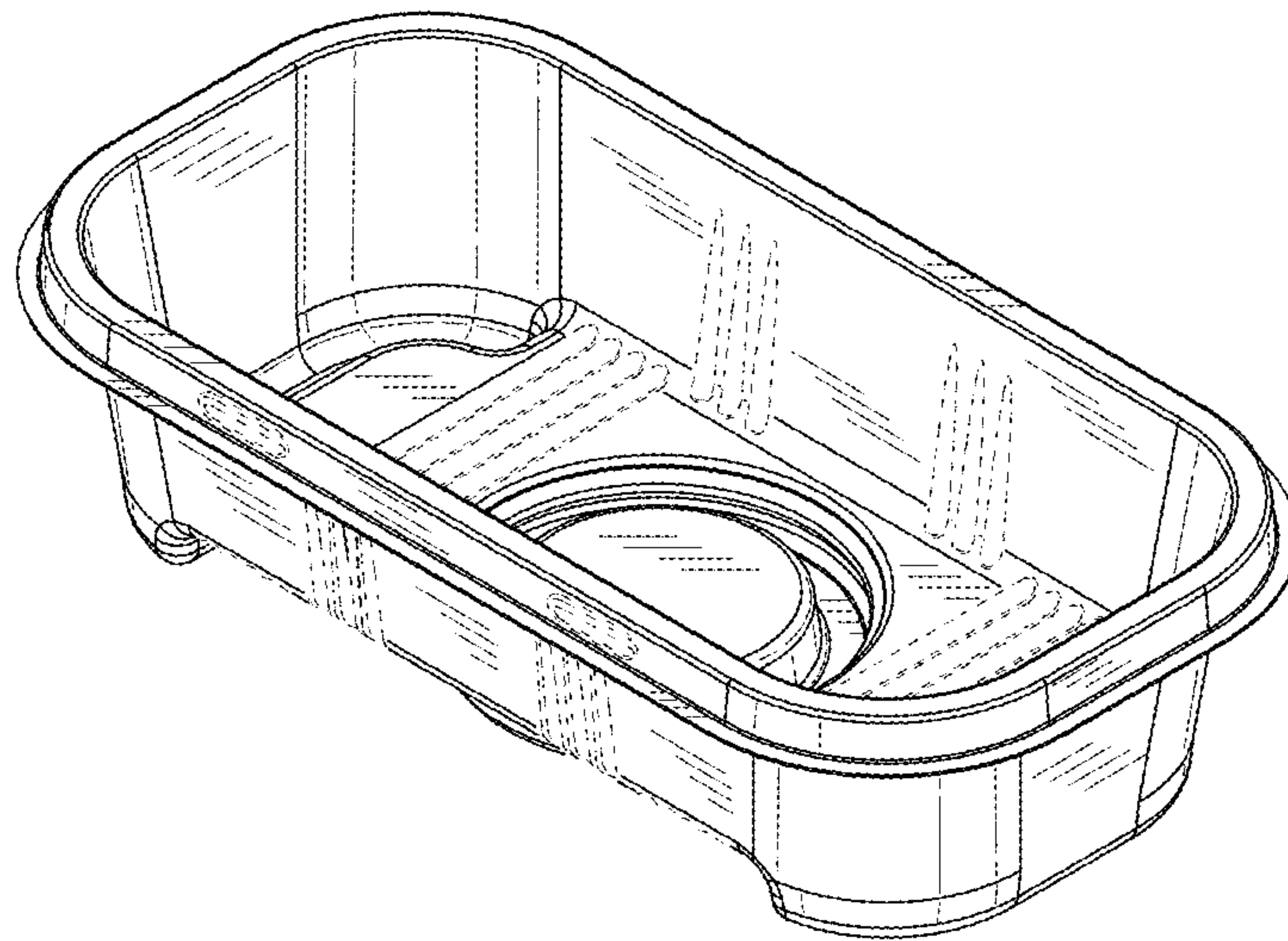


FIG. 4



**FIG. 5**

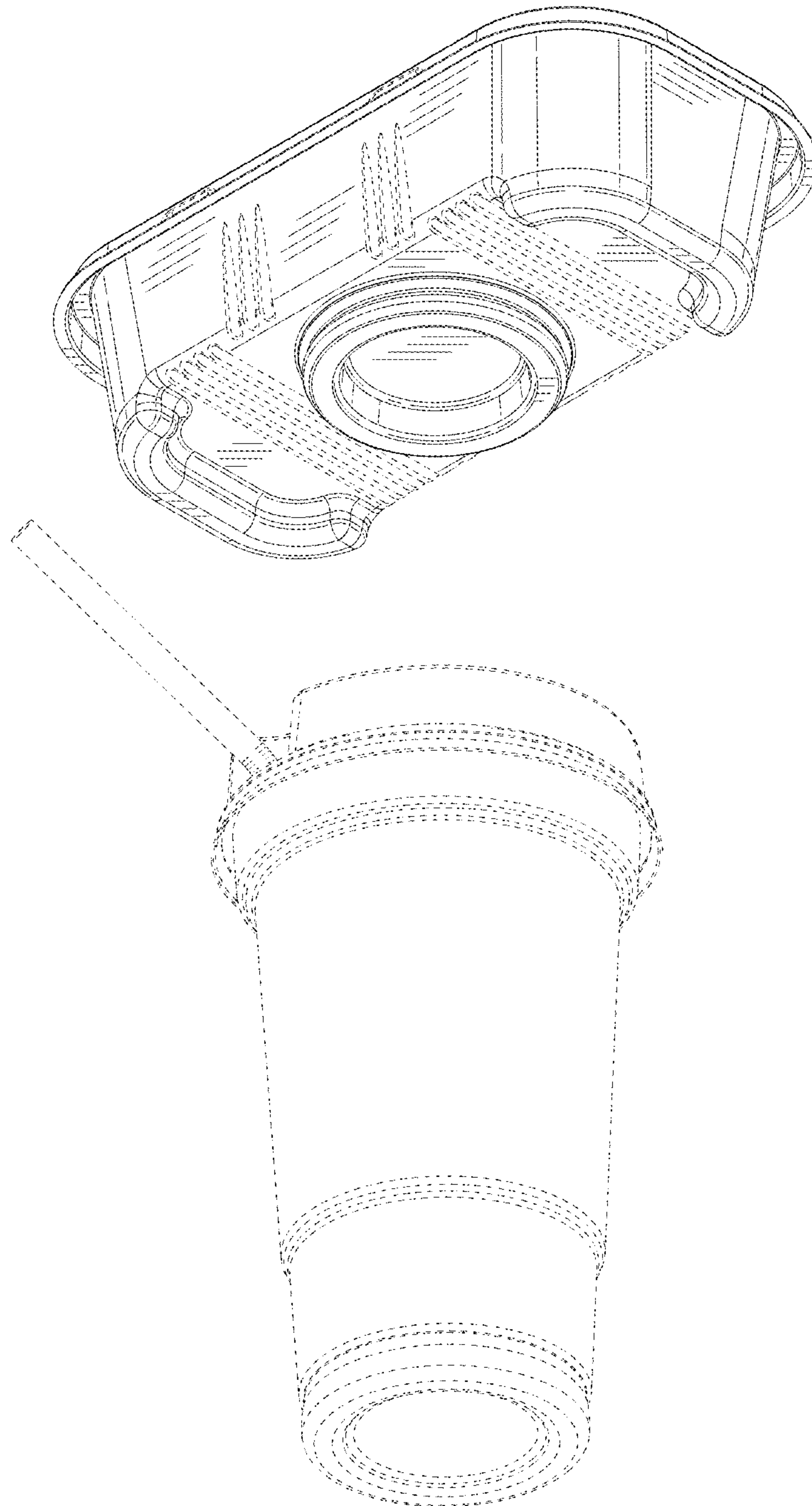


FIG. 6



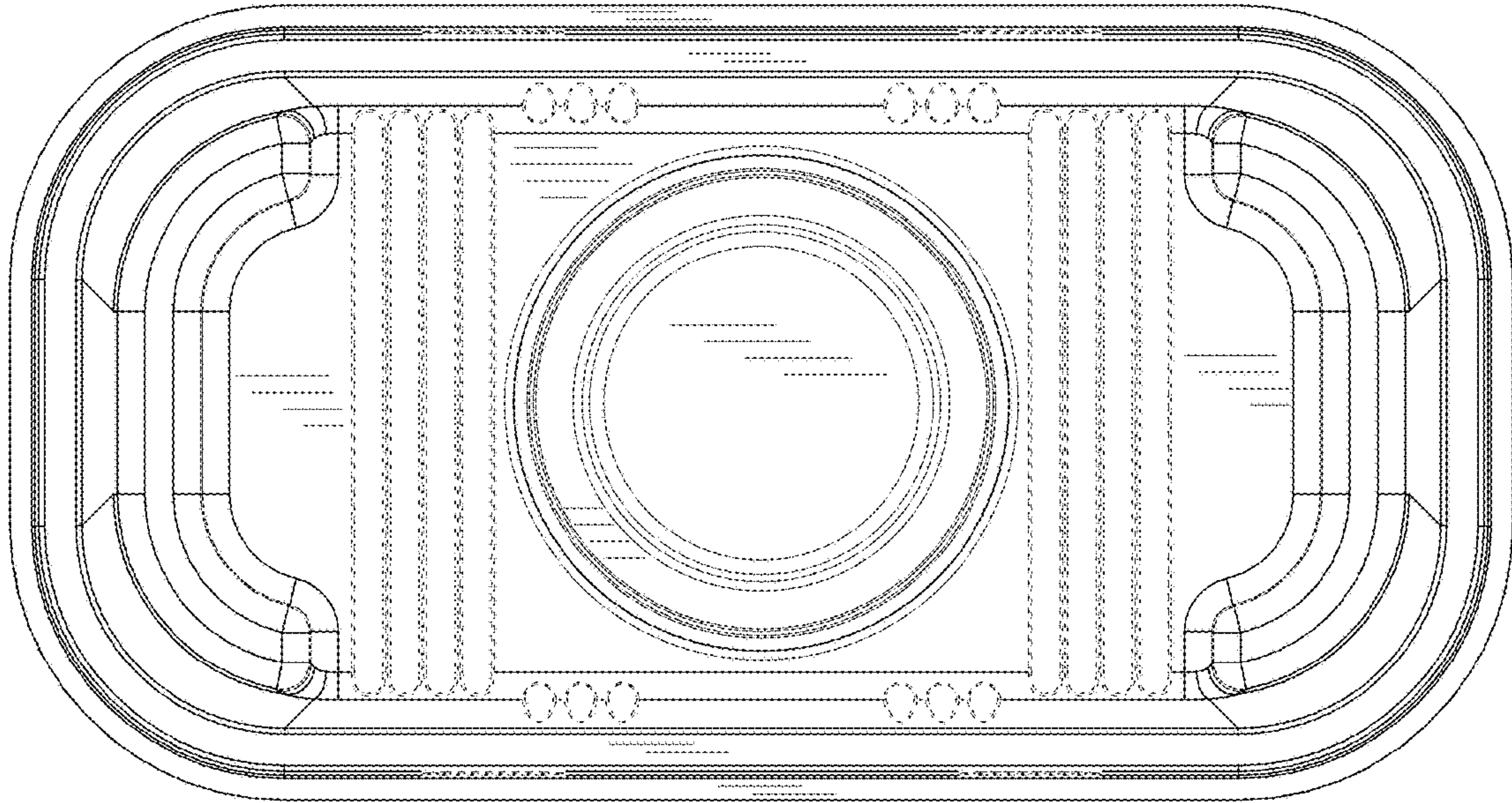


FIG. 7

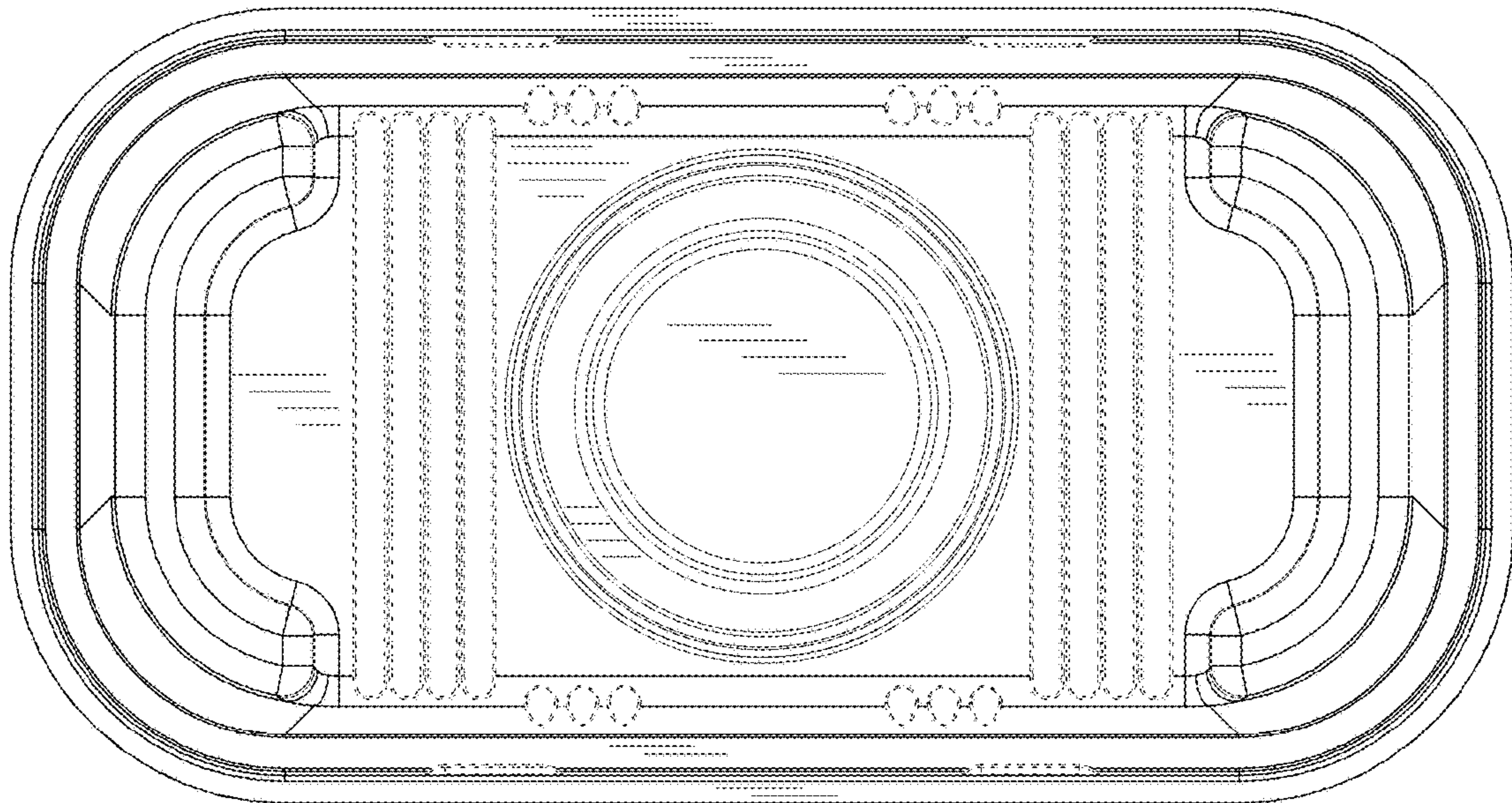
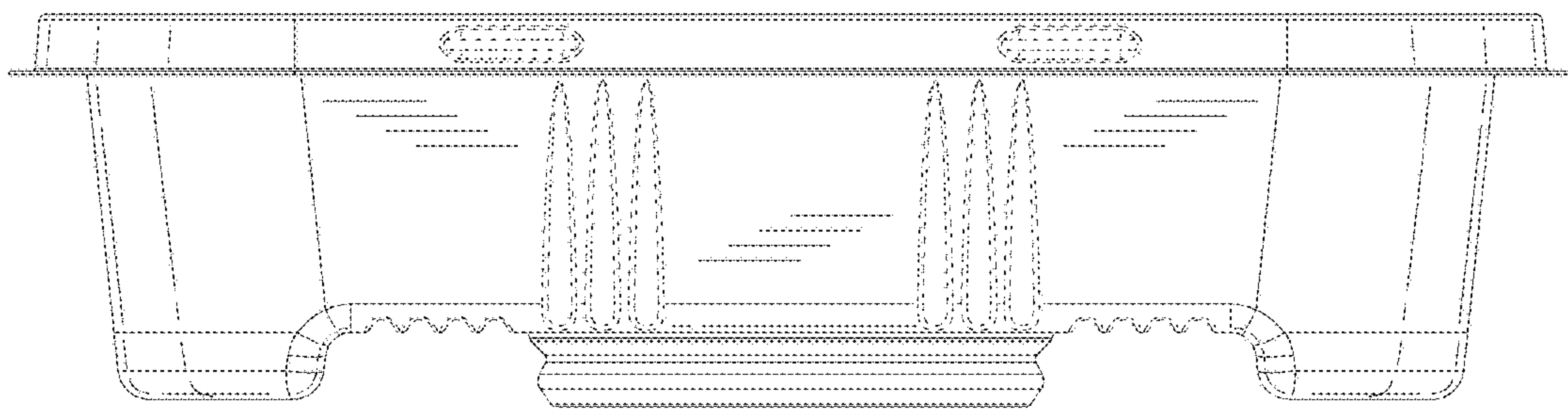
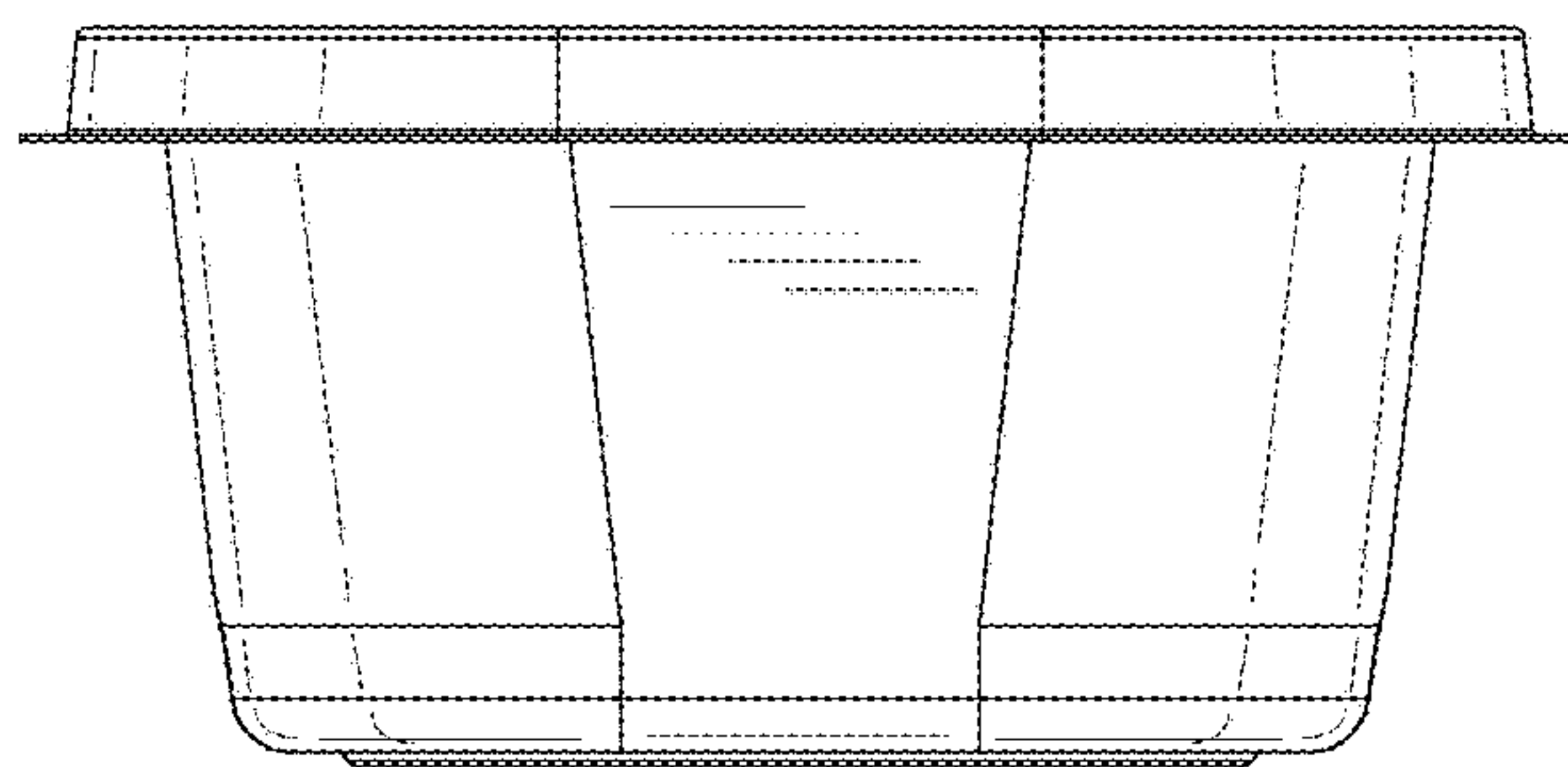


FIG. 8

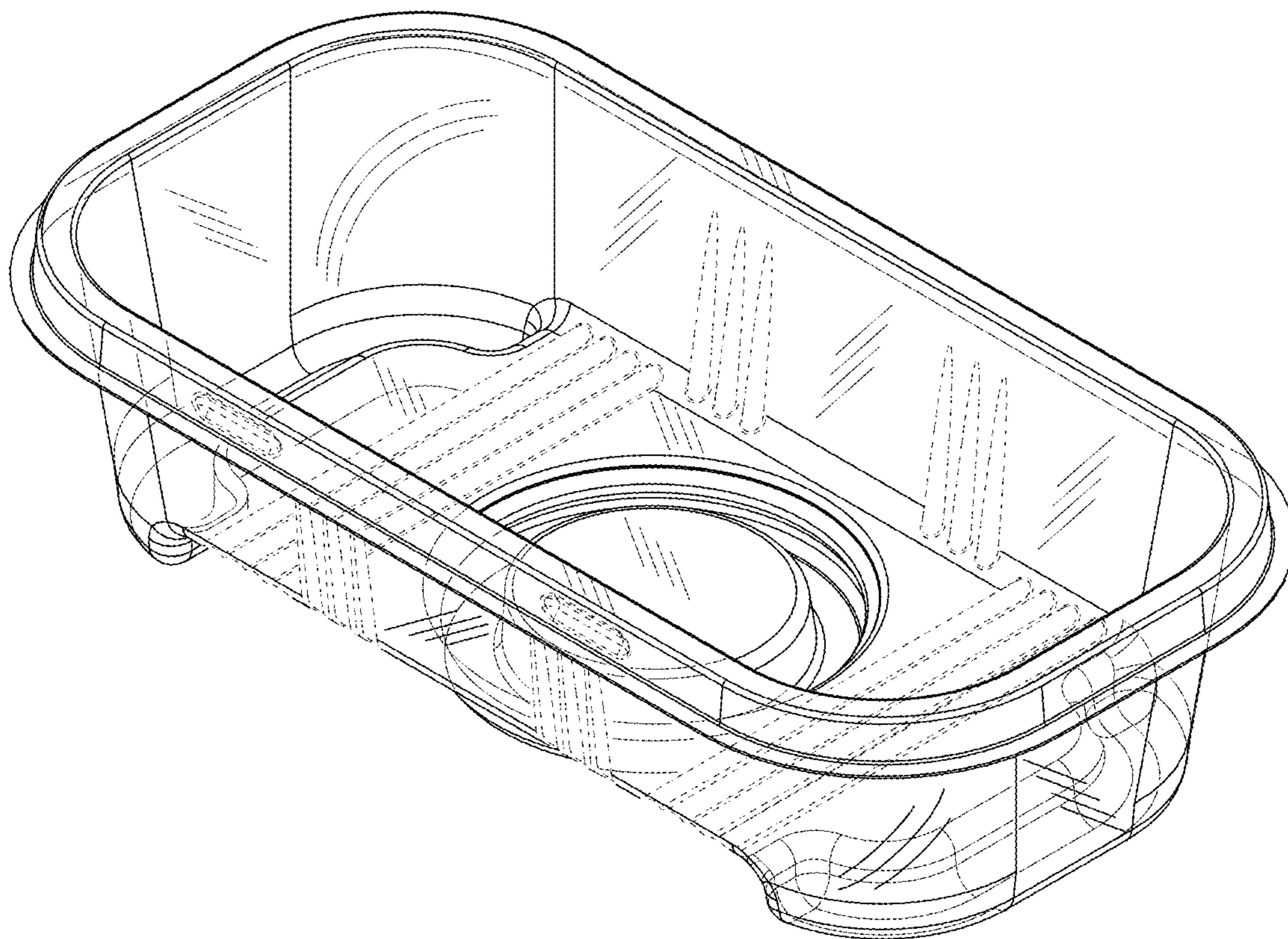


*FIG. 9*



*FIG. 10*





*FIG. 11*

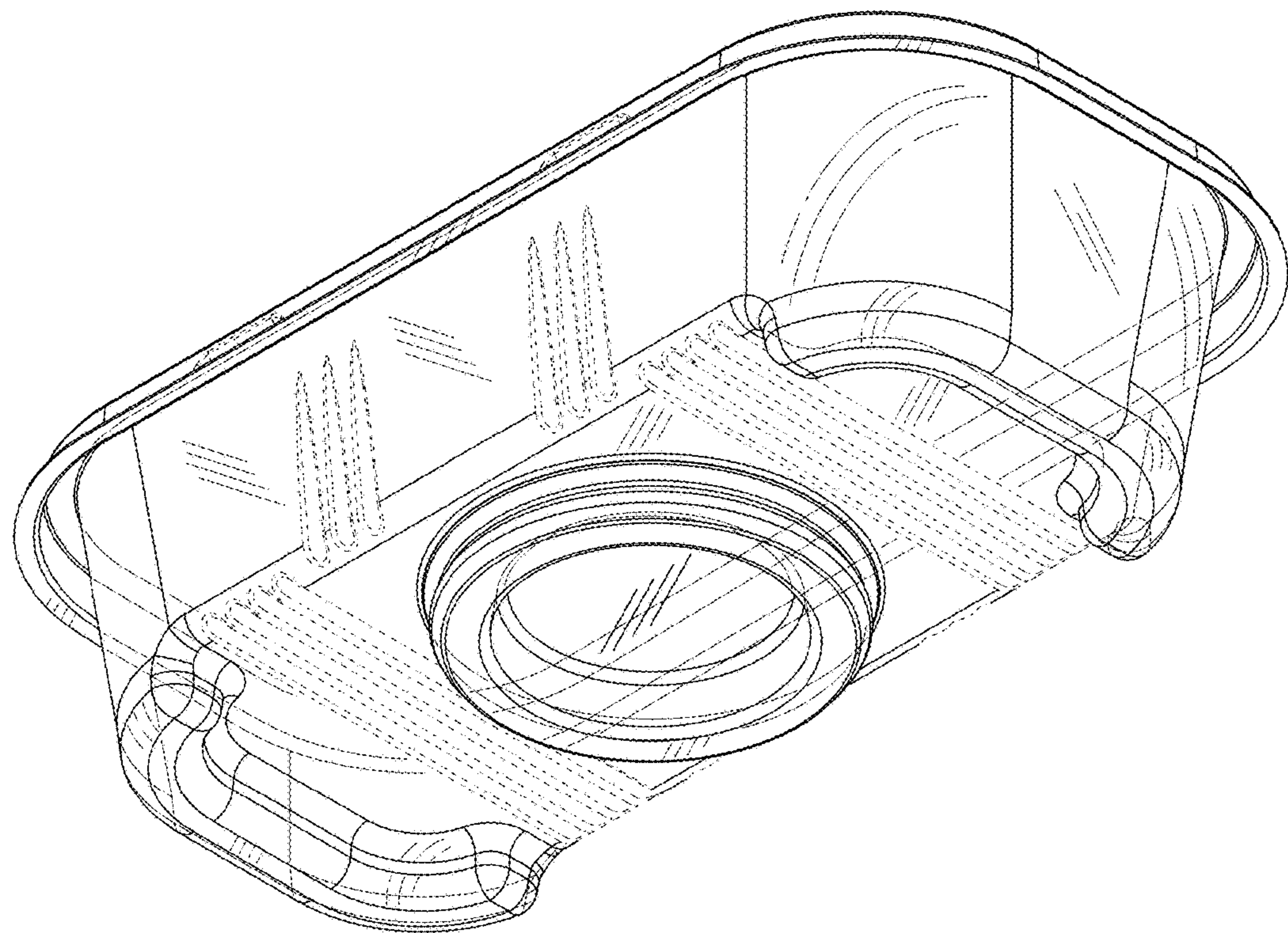


FIG. 12