



US00D787929S

(12) **United States Design Patent** (10) **Patent No.:** **US D787,929 S**
Sill et al. (45) **Date of Patent:** **** May 30, 2017**

(54) **CLOSEABLE CONTAINER**

- (71) Applicant: **Inno-Pak, LLC**, Delaware, OH (US)
- (72) Inventors: **Jonathan D. Sill**, Powell, OH (US);
Steven A. Mayer, Indianapolis, IN (US)
- (73) Assignee: **Inno-Pak LLC**, Delaware, OH (US)
- (**) Term: **15 Years**

- (21) Appl. No.: **29/573,480**
- (22) Filed: **Aug. 5, 2016**

Related U.S. Application Data

- (60) Division of application No. 29/545,309, filed on Nov. 11, 2015, now Pat. No. Des. 774,898, which is a continuation of application No. 29/516,707, filed on Feb. 5, 2015, now Pat. No. Des. 774,891.
- (51) **LOC (10) Cl.** **09-03**
- (52) **U.S. Cl.**
USPC **D9/418**
- (58) **Field of Classification Search**
USPC D9/414-419, 499, 431, 432, 420-422;
D19/91; D7/612; 206/589
CPC B65D 5/4204
See application file for complete search history.

(56) **References Cited**

U.S. PATENT DOCUMENTS

D259,253 S	5/1981	Nelson	
D291,065 S	7/1987	Pugh	
D295,958 S	5/1988	Pugh	
4,911,298 A	3/1990	Miyagawa	
D309,262 S	7/1990	Coiner	
D332,347 S	1/1993	Raadt	
D332,744 S	1/1993	McCooley	
D333,781 S	3/1993	Kobel	
D365,755 S	1/1996	Kanfer et al.	
D372,401 S *	8/1996	Lillelund D7/612
D401,147 S	11/1998	Miller	

(Continued)

OTHER PUBLICATIONS

Notice of Allowance dated Apr. 18, 2016 from U.S. Appl. No. 29/527,085.
Office Action dated Feb. 1, 2016 from U.S. Appl. No. 29/516,707.
Primary Examiner — Rhea Shields
(74) *Attorney, Agent, or Firm* — Ward and Smith, P.A.;
Ryan K. Simmons

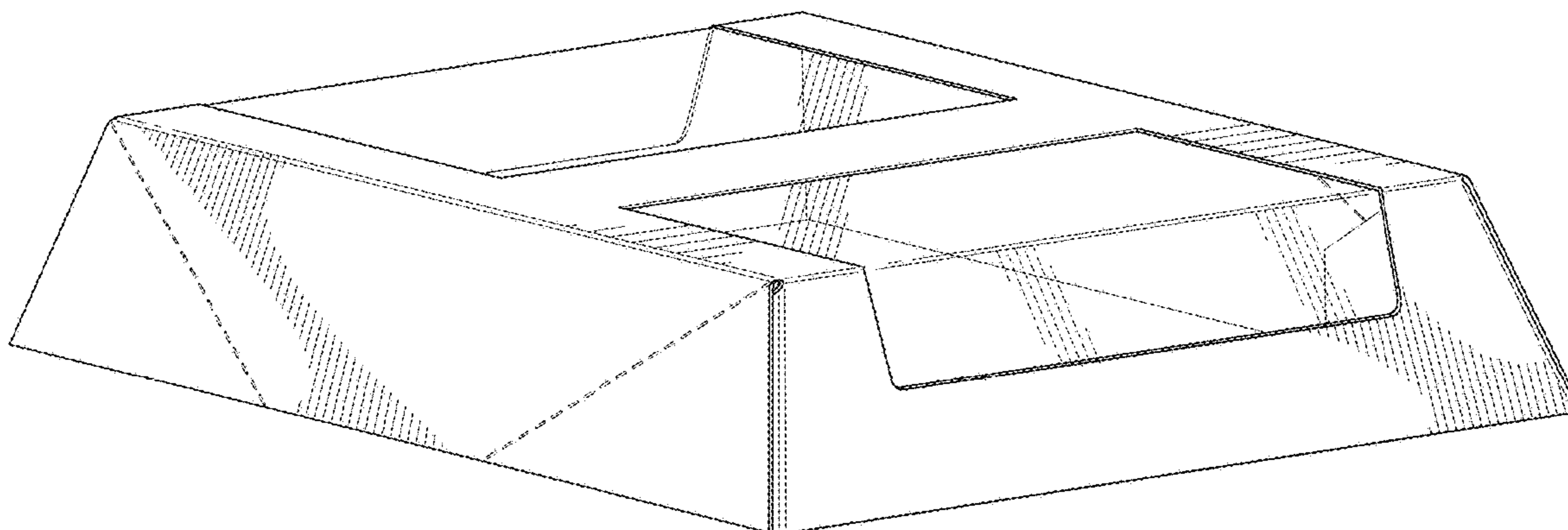
(57) **CLAIM**

The ornamental design for a closeable container, as shown and described.

DESCRIPTION

FIG. 1 is a perspective view of a closeable container showing a new design;
FIG. 2 is a right side elevation view thereof, the left side being a mirror image;
FIG. 3 is a front elevation view thereof, the rear being a mirror image;
FIG. 4 is a top plan view thereof;
FIG. 5 is a bottom plan view thereof;
FIG. 6 is another perspective view thereof, showing the closeable container in an open configuration;
FIG. 7 is another perspective view of the closeable container showing an alternate configuration;
FIG. 8 is a right side elevation view thereof, the left side being a mirror image;
FIG. 9 is a front elevation view thereof, the rear being a mirror image;
FIG. 10 is a top plan view thereof;
FIG. 11 is a bottom plan view thereof; and,
FIG. 12 is another perspective view thereof, showing the closeable container in an open configuration.
In the Figures, the dash-dash broken lines are for the purpose of illustrating perforations.

1 Claim, 10 Drawing Sheets



(56)

References Cited

U.S. PATENT DOCUMENTS

D415,960 S * 11/1999 Majdanski D9/415
 D464,878 S 10/2002 Thompson
 D469,349 S 1/2003 Meeker et al.
 D469,692 S * 2/2003 Meeker D9/431
 D485,172 S 1/2004 Defino
 D519,366 S * 4/2006 Epstein D9/431
 D536,245 S * 2/2007 Bruun D9/422
 D536,612 S * 2/2007 Geurts D9/432
 D578,883 S 10/2008 Kisch
 D580,751 S 11/2008 Blick
 D593,211 S 5/2009 Dewitt
 D595,104 S 6/2009 Goodrich
 D602,353 S 10/2009 Anderson et al.
 D607,987 S 1/2010 Paxton
 D617,636 S 6/2010 Vanhoutte
 D618,543 S 6/2010 Polaski
 7,780,004 B2 8/2010 Carlozzi
 D623,939 S 9/2010 Tearle
 D626,831 S 11/2010 Nicholas
 D636,662 S * 4/2011 Ignacio D9/418
 D637,078 S 5/2011 Peng
 D638,702 S 5/2011 Lowery
 D644,099 S 8/2011 Martinez Rodriguez
 D644,508 S 9/2011 Martinez Rodriguez
 D646,964 S 10/2011 Ampadu
 D647,398 S 10/2011 Winkler
 D649,067 S * 11/2011 Birdwell D9/418
 D649,886 S 12/2011 Ocampo
 D651,074 S 12/2011 Lacey
 D655,153 S 3/2012 Mitten
 D668,540 S 10/2012 Lutzig

D675,092 S * 1/2013 Sill D9/431
 D678,779 S 3/2013 Lee
 D679,950 S 4/2013 Cooper
 D681,444 S 5/2013 Oja et al.
 D688,568 S 8/2013 Noel
 D693,215 S 11/2013 Sill
 D693,216 S * 11/2013 Sill D9/418
 D693,217 S * 11/2013 Sill D9/418
 D693,218 S 11/2013 Sill
 D695,104 S * 12/2013 Sill D9/418
 D696,725 S * 12/2013 Sasken-Duff D19/91
 8,607,987 B2 12/2013 Oja et al.
 D706,132 S * 6/2014 Sill D9/432
 D708,511 S 7/2014 Green
 D712,275 S * 9/2014 Irek D9/418
 D713,716 S 9/2014 Oja et al.
 D716,649 S * 11/2014 McAdam D9/418
 D717,162 S 11/2014 Baker
 D717,163 S 11/2014 Paulsen
 D717,645 S 11/2014 Wilmers
 D719,440 S 12/2014 Matloff
 D727,732 S * 4/2015 Petty D9/415
 D728,357 S 5/2015 Pierce
 D729,055 S 5/2015 Lemnios et al.
 D729,058 S 5/2015 Ishikawa
 D739,228 S * 9/2015 Jondal D9/421
 D746,673 S 1/2016 Sanfilippo
 D746,700 S 1/2016 Boehnen et al.
 D753,919 S 4/2016 Parker
 D760,598 S 7/2016 White
 D766,108 S 9/2016 Brown
 2009/0236351 A1 9/2009 Chu et al.
 2015/0344216 A1 * 12/2015 Petty B65D 5/4204
 206/589

* cited by examiner

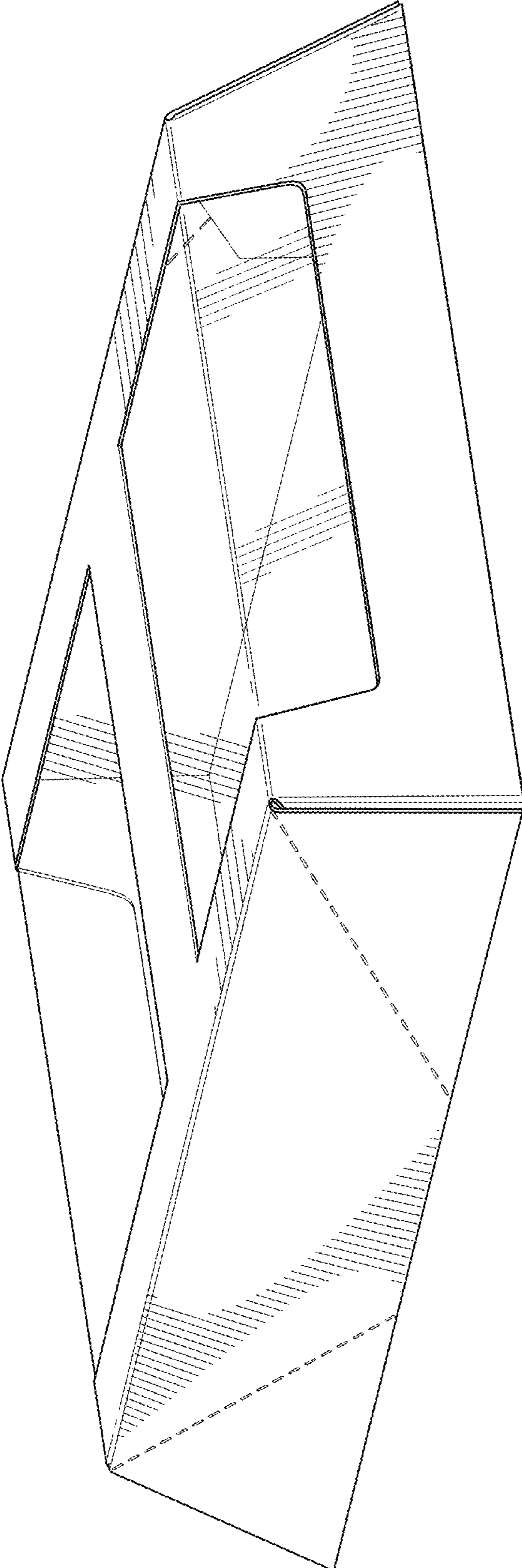


FIG. 1

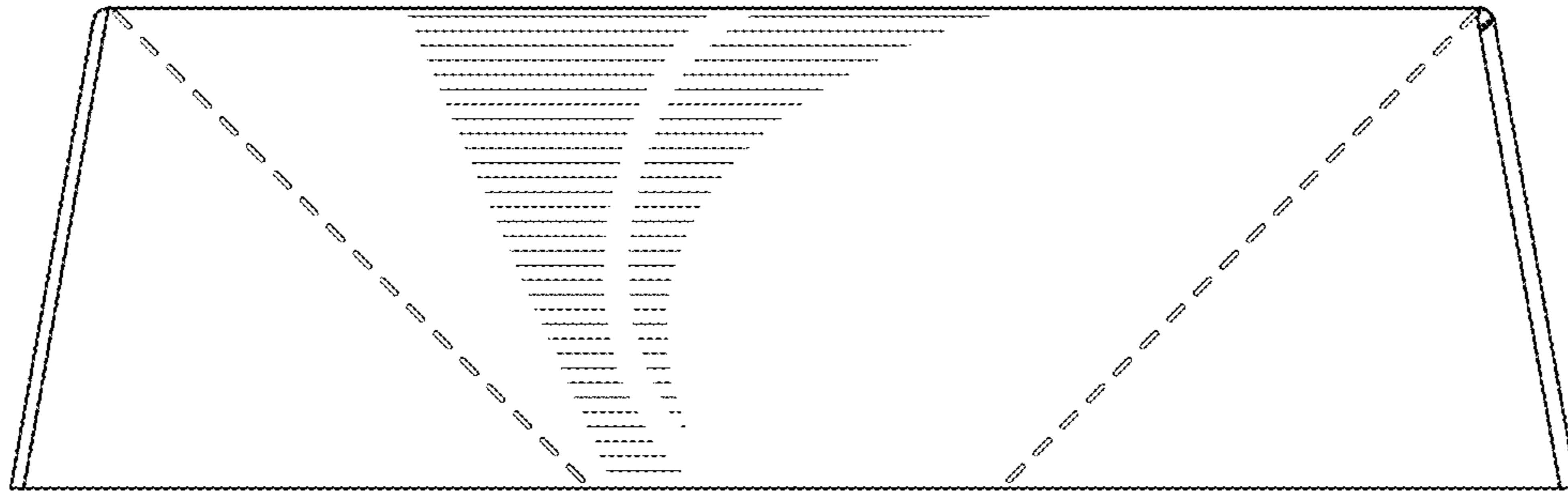


FIG. 2

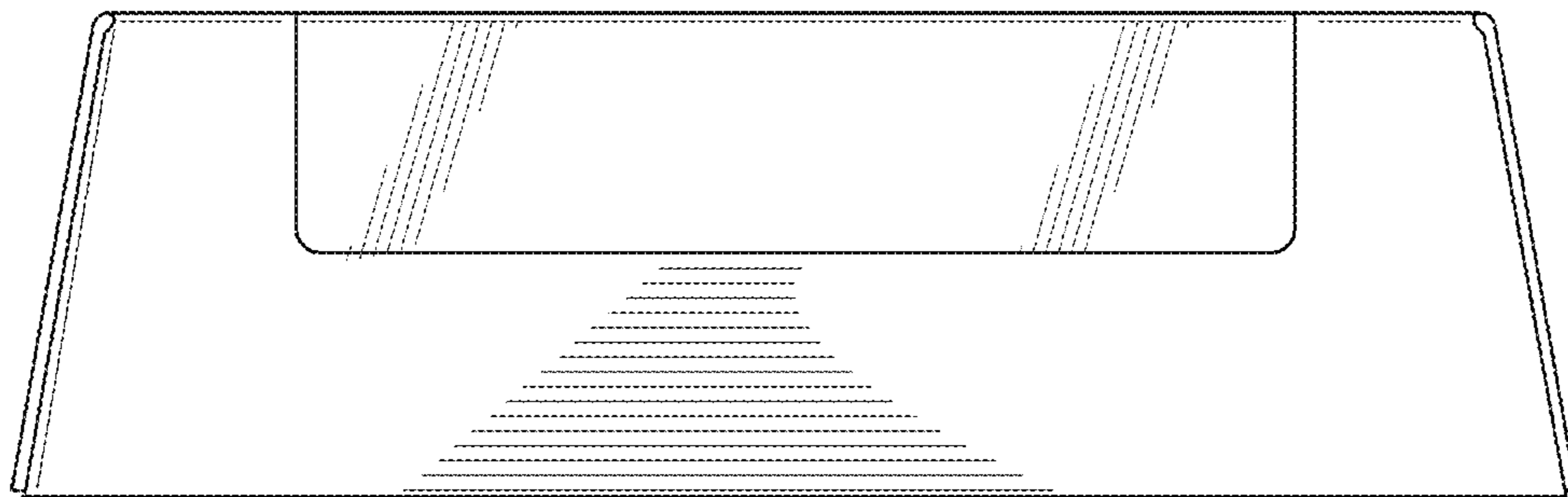


FIG. 3

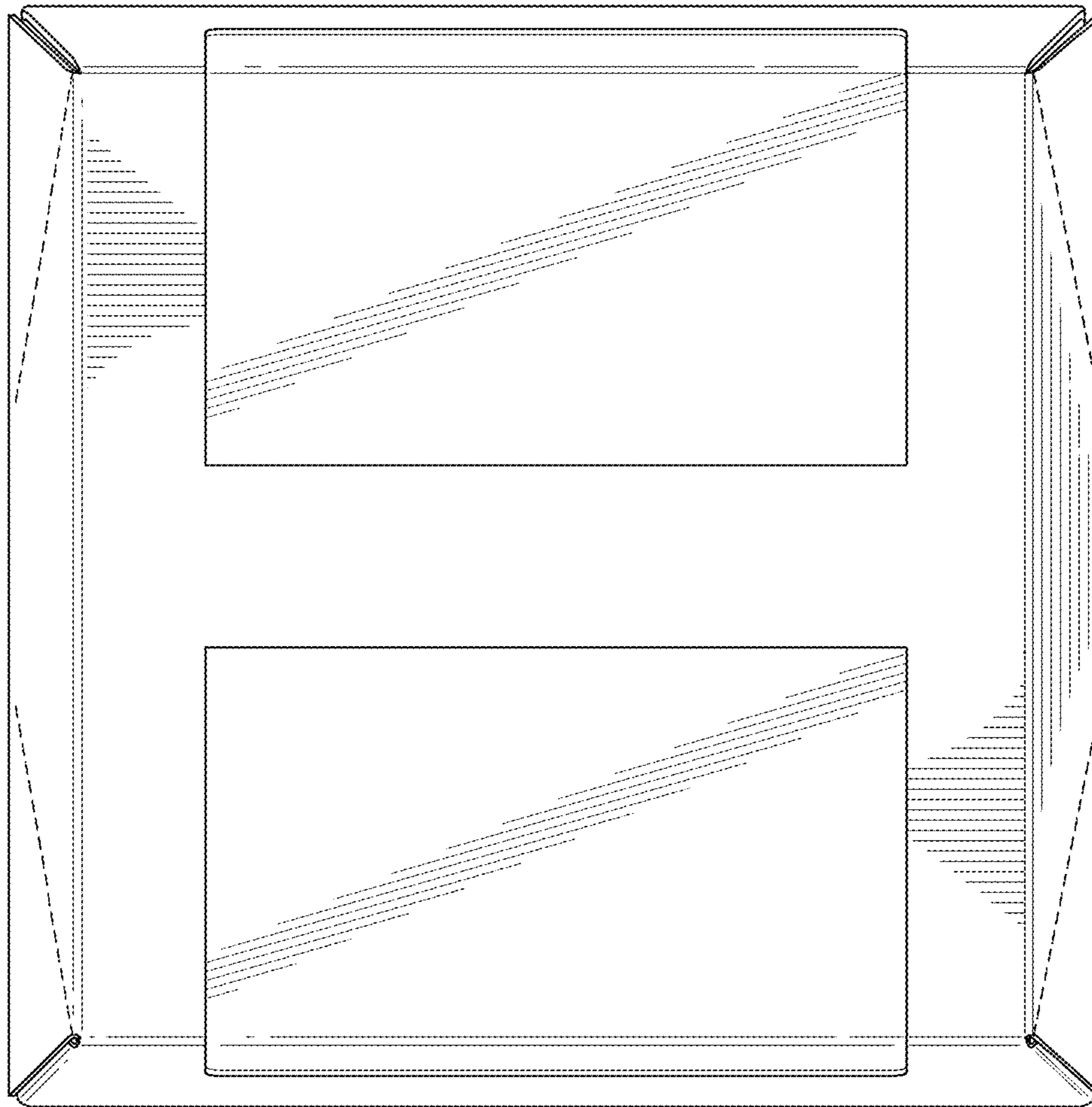


FIG. 4

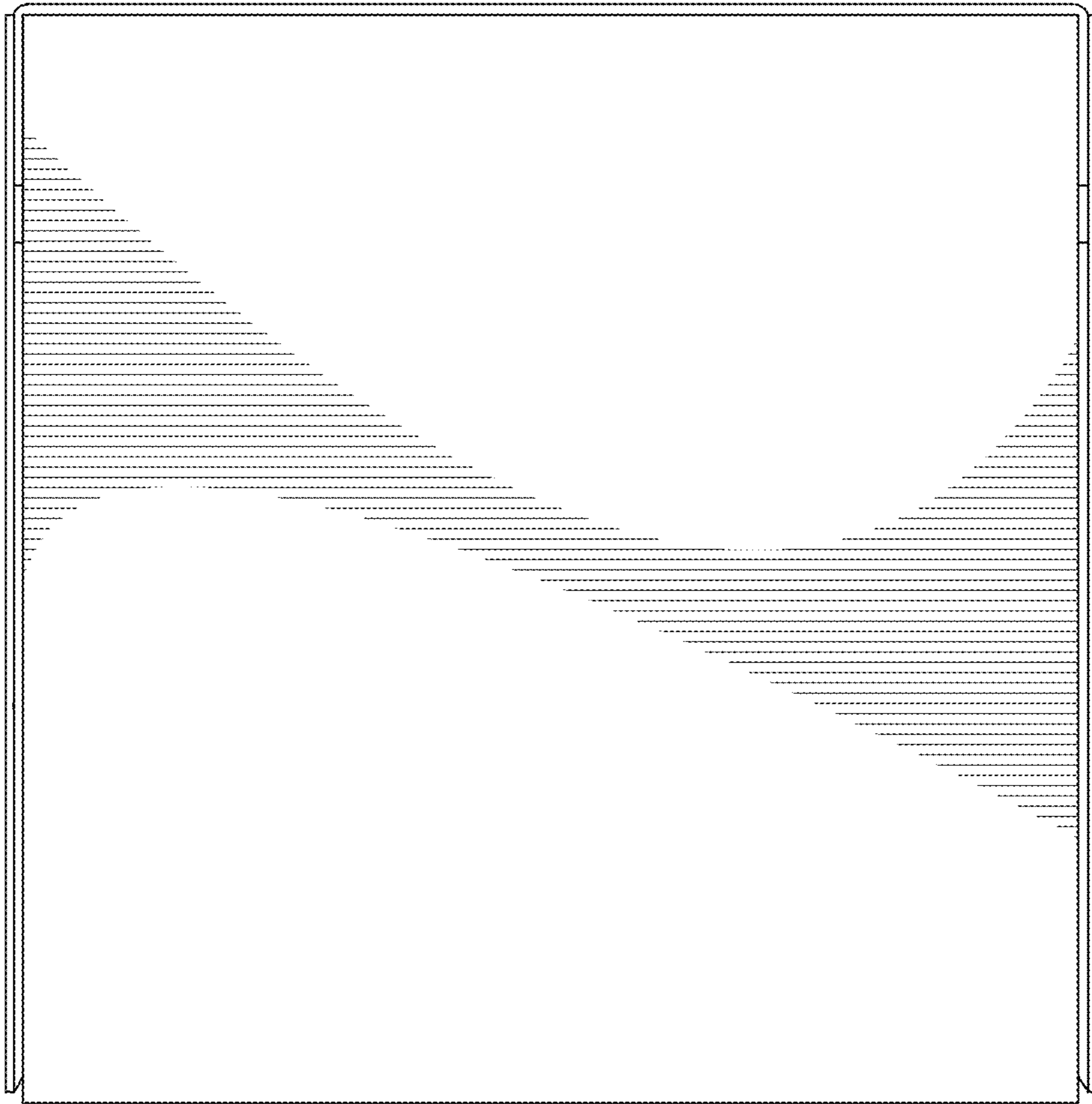


FIG. 5

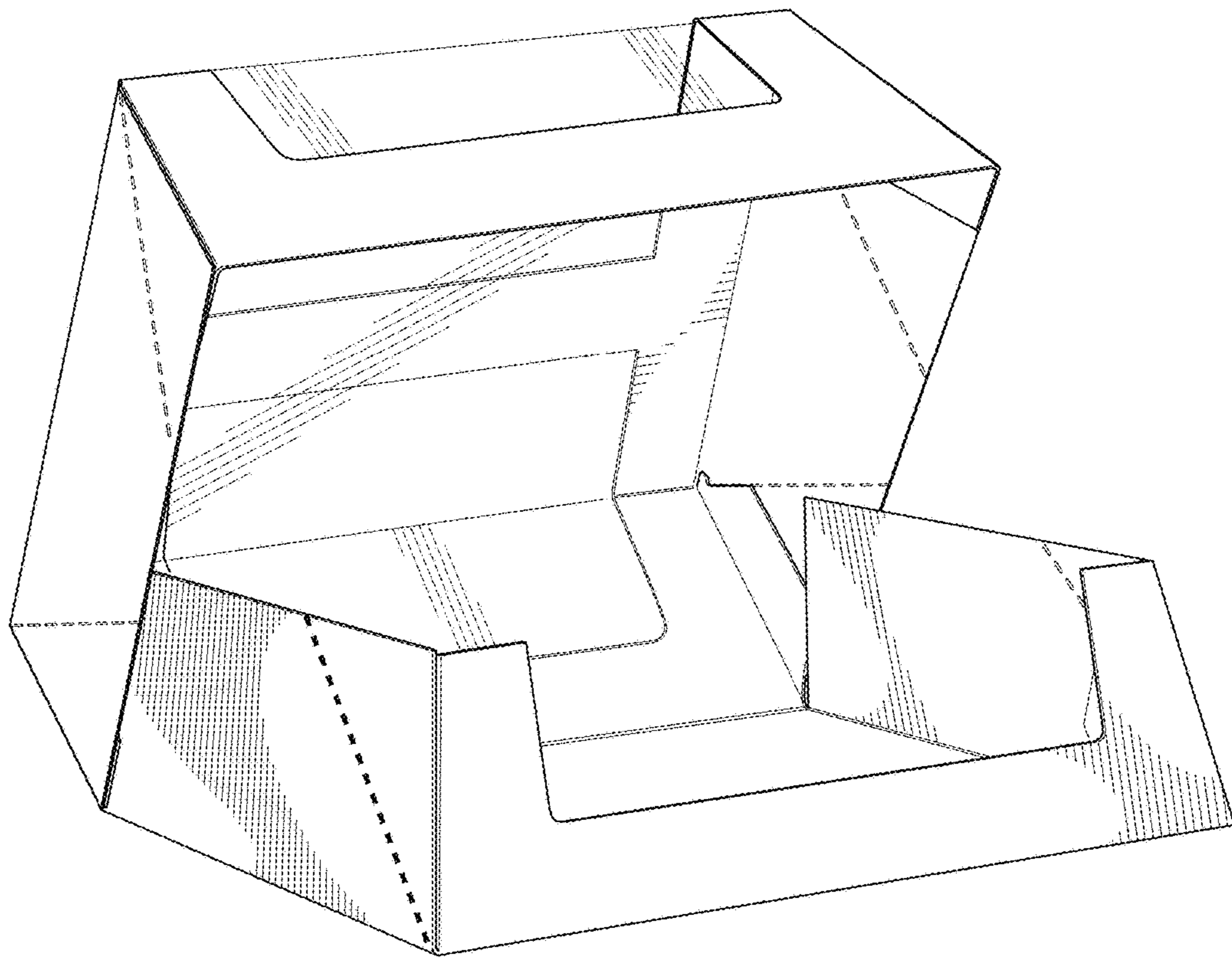


FIG. 6

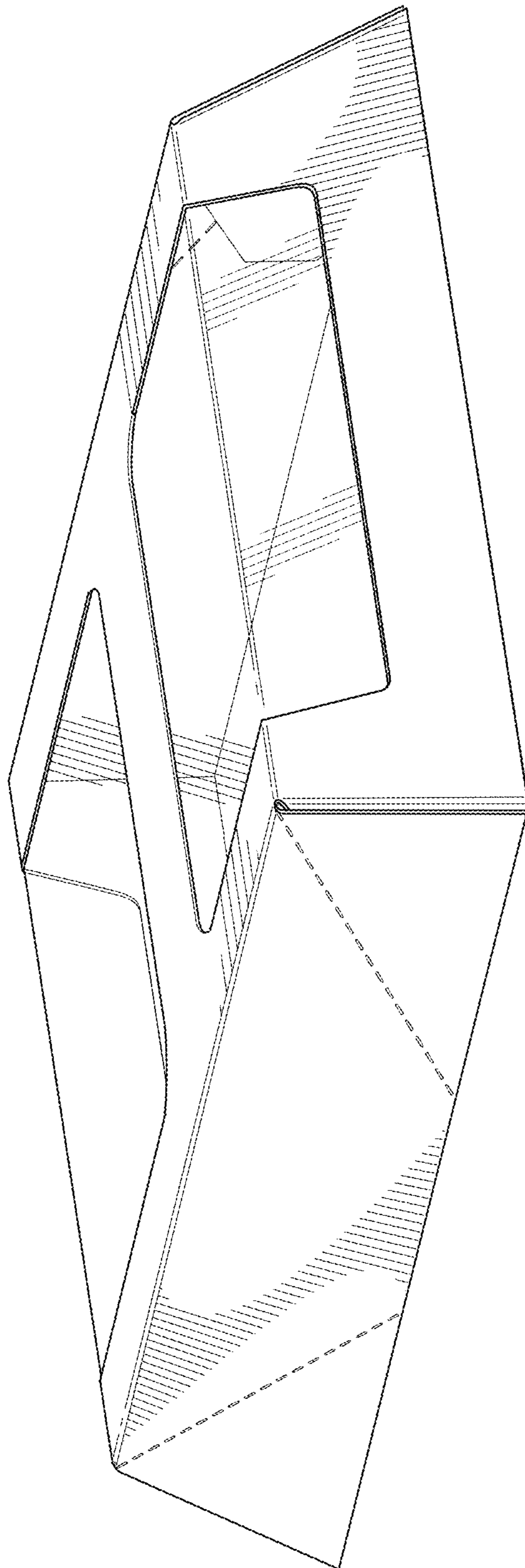


FIG. 7

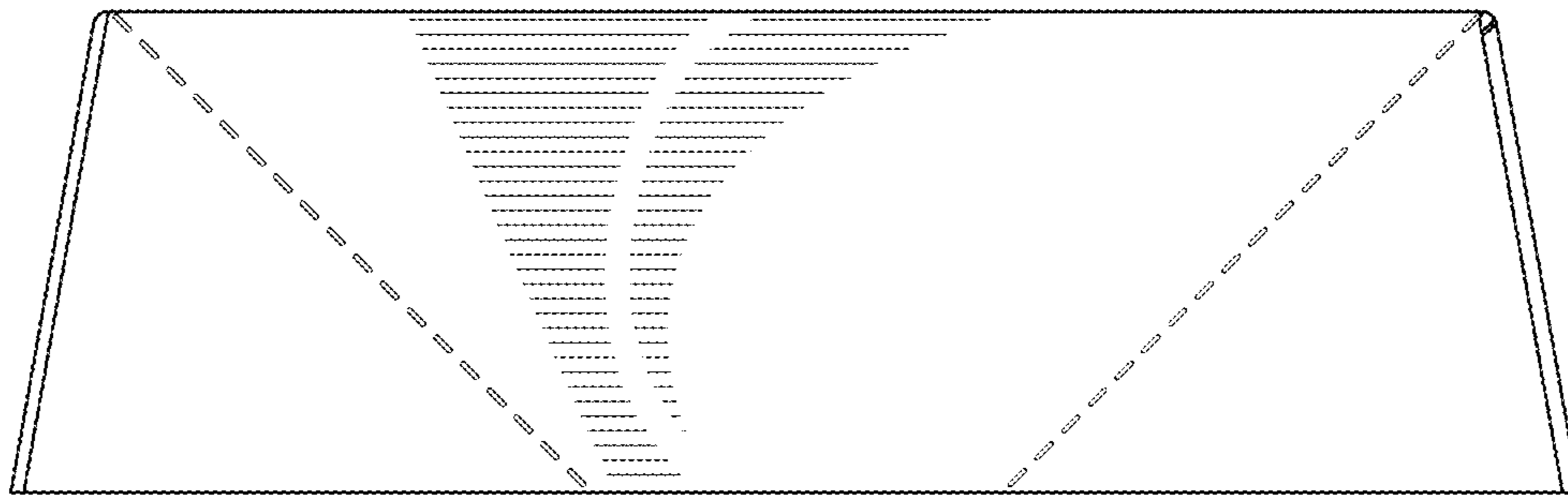


FIG. 8

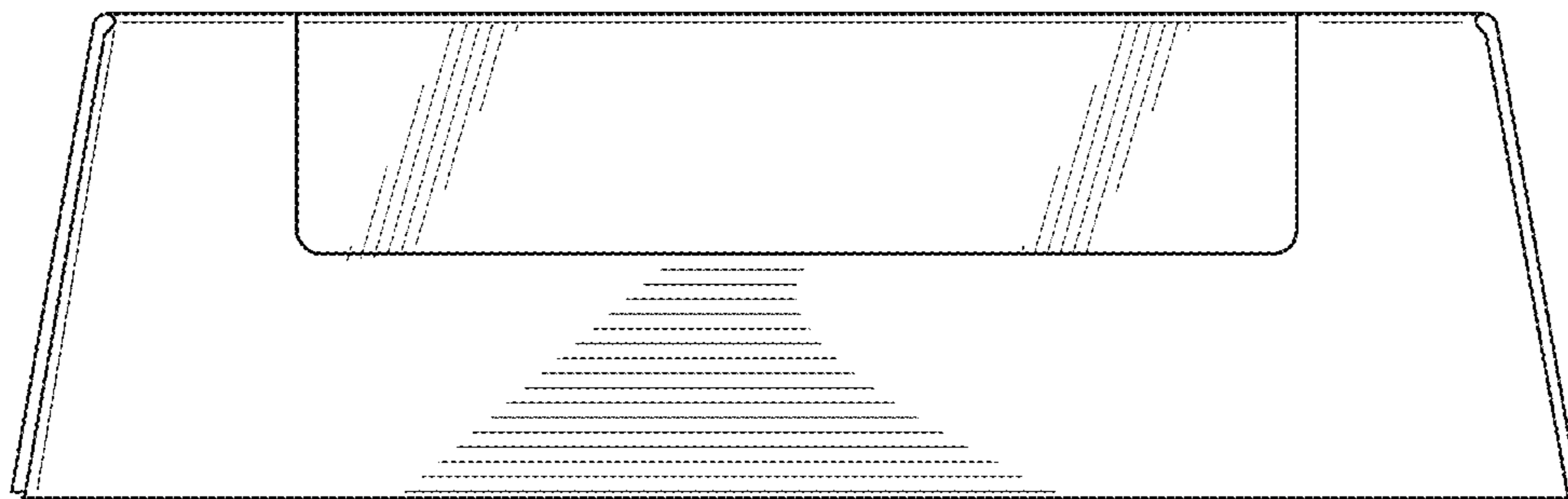


FIG. 9

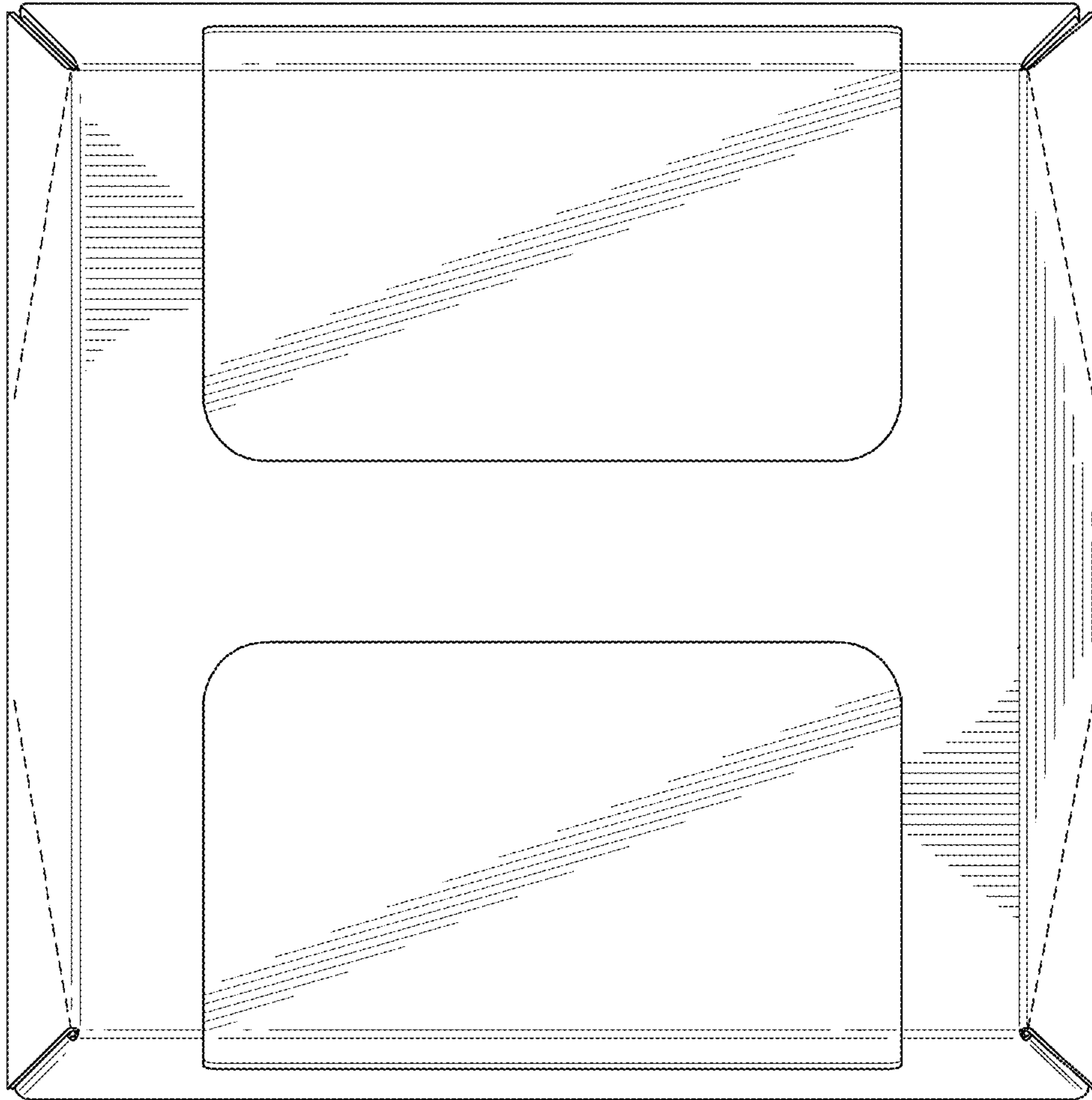


FIG. 10

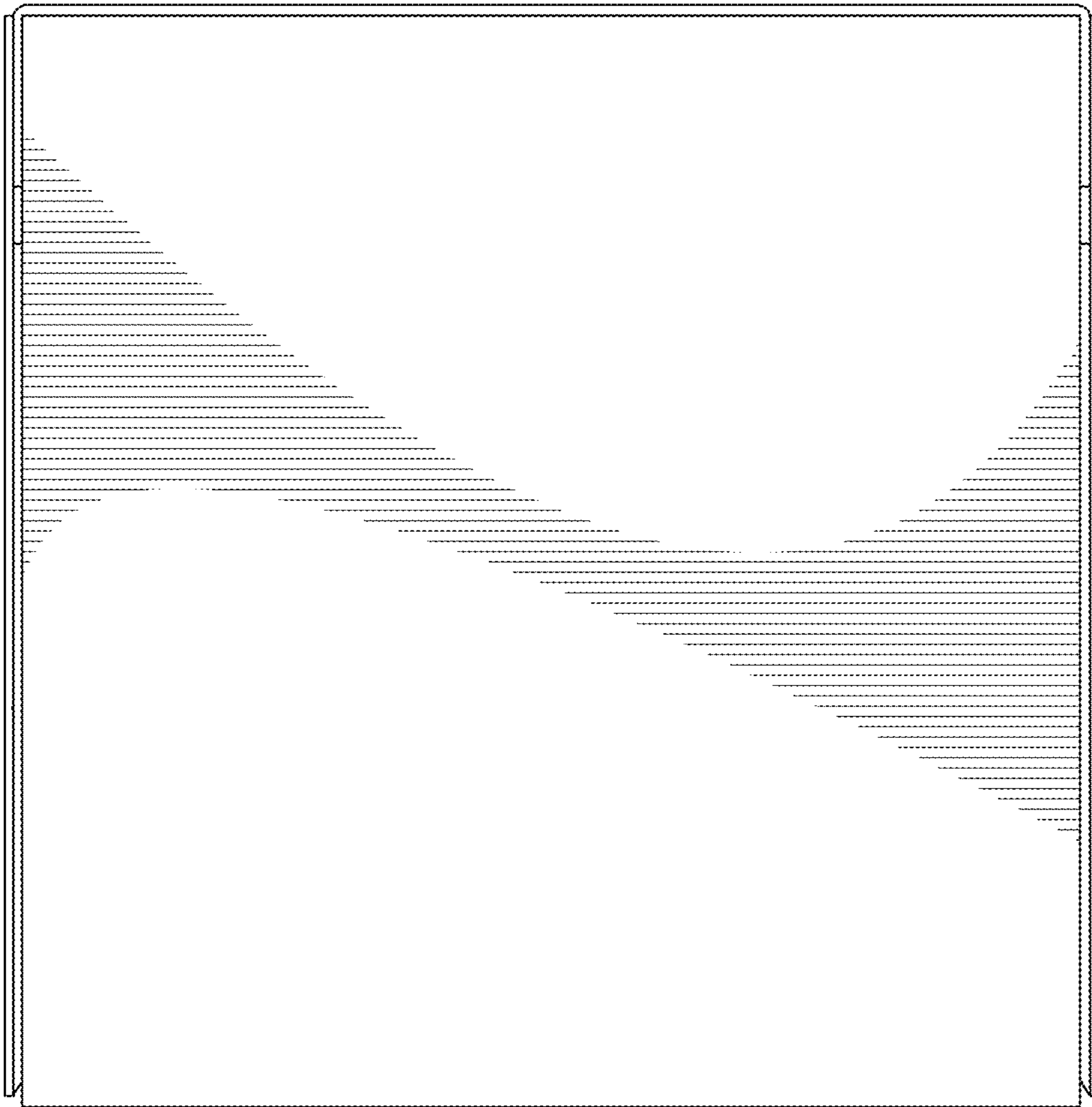


FIG. 11

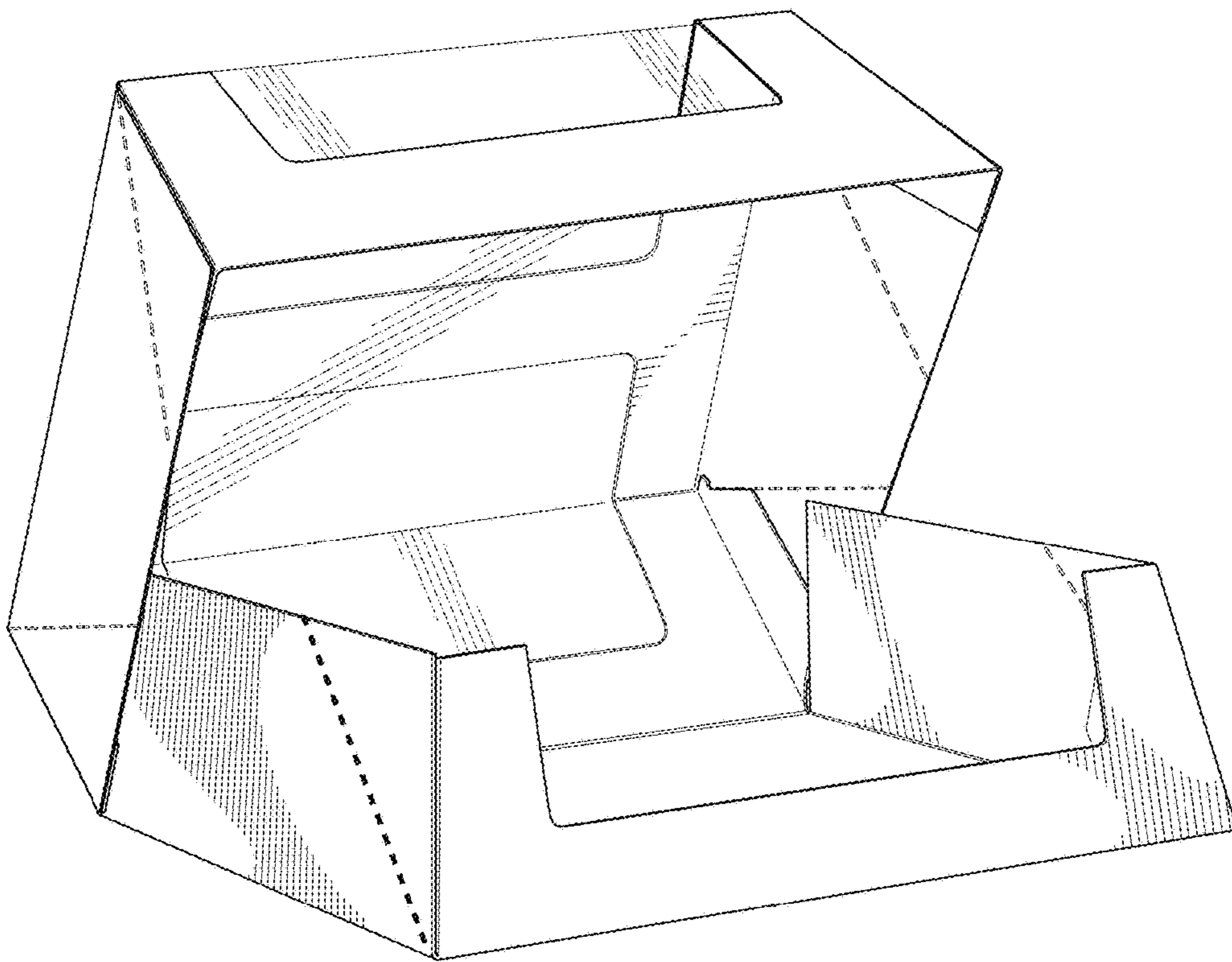


FIG. 12