



US00D787928S

(12) **United States Design Patent**
Fleming

(10) **Patent No.:** **US D787,928 S**
(45) **Date of Patent:** **** May 30, 2017**

(54) **STORAGE BOX WITH DISPLAY**

FOREIGN PATENT DOCUMENTS

(71) Applicant: **Jeanine Fleming**, Plano, TX (US)

CN 302847424 6/2014
GB 2062440 4/1997
JP 1120240 9/2001

(72) Inventor: **Jeanine Fleming**, Plano, TX (US)

Primary Examiner — Rhea Shields

(**) Term: **15 Years**

(74) *Attorney, Agent, or Firm* — Conley Rose, P.C.;
Kristin Jordan Harkins

(21) Appl. No.: **29/527,347**

(22) Filed: **May 18, 2015**

(57) **CLAIM**

(51) **LOC (10) Cl.** **09-03**

The ornamental design for a storage box with display, as shown and described.

(52) **U.S. Cl.**

DESCRIPTION

USPC **D9/415**

(58) **Field of Classification Search**

USPC D9/414–419, 499, 434; D3/305, 302,
D3/304; 190/19; 206/278, 777, 296,
206/459.1; 229/122.24
CPC A47F 3/145; A43D 3/1433; A47G 25/005;
B65D 5/0281; B65D 5/323; B65D 5/422
See application file for complete search history.

FIG. 1 is a front perspective view of a first embodiment of a storage box with display in accordance with my new design.

FIG. 2 is another front perspective view of the storage box with display;

FIG. 3 is a top elevation view thereof;

FIG. 4 is a bottom elevation view thereof;

FIG. 5 is a side elevation view thereof;

FIG. 6 is another side elevation view thereof;

FIG. 7 is a front elevation view thereof;

FIG. 8 is a back elevation view thereof;

FIG. 9 is a front perspective view of a second embodiment of a storage box with display in accordance with my new design.

FIG. 10 is another front perspective view of the storage box with display;

FIG. 11 is a top elevation view thereof;

FIG. 12 is a bottom elevation view thereof;

FIG. 13 is a side elevation view thereof;

FIG. 14 is another side elevation view thereof;

FIG. 15 is a front elevation view thereof; and,

FIG. 16 is a back elevation view thereof.

In the drawings, the broken lines are for the purpose of illustrating environment only and form no part of the claimed design.

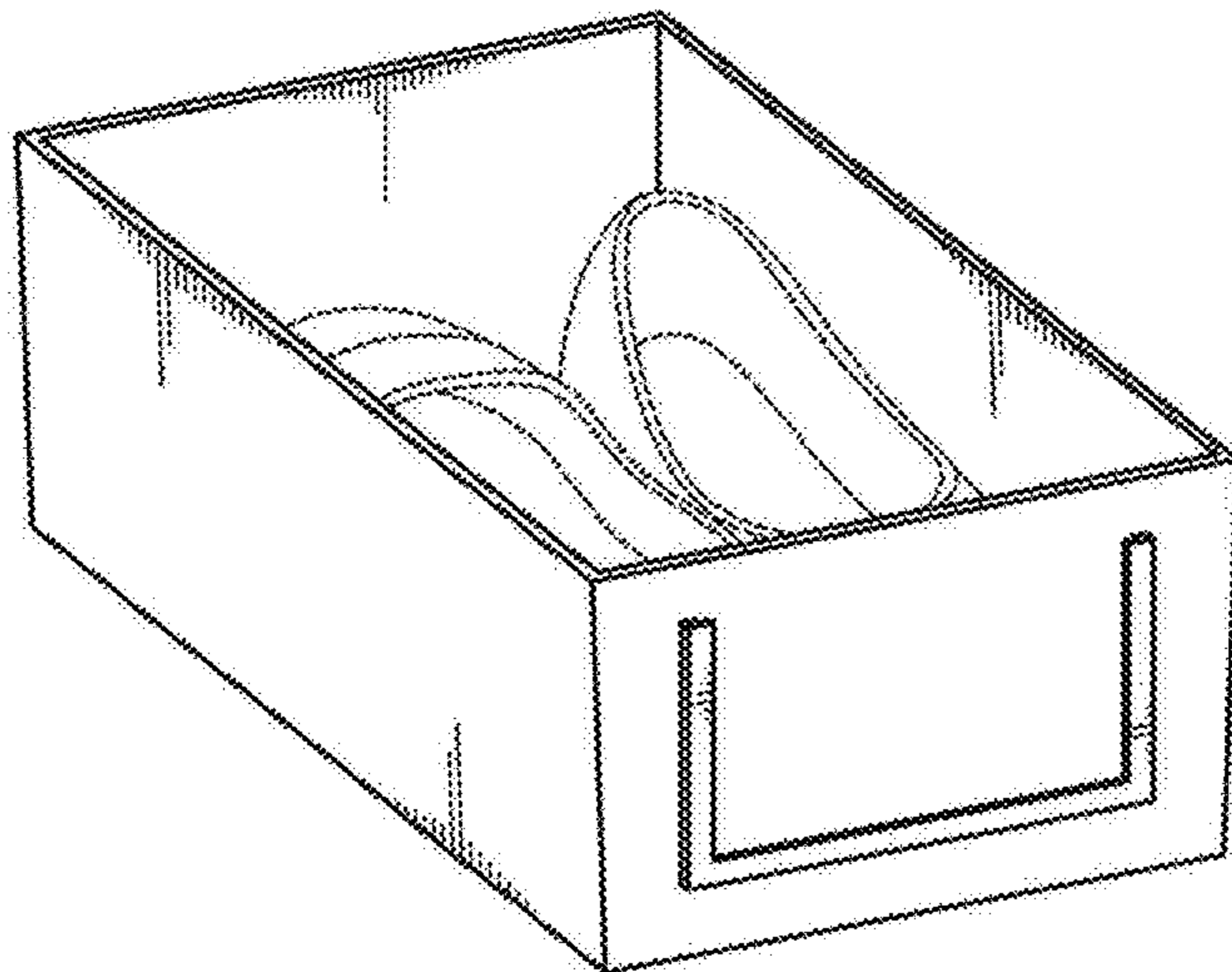
(56) **References Cited**

U.S. PATENT DOCUMENTS

1,367,248 A * 2/1921 Goldman A47F 3/145
190/19
3,063,550 A * 11/1962 Boden A43D 3/1433
206/296
3,200,983 A 8/1965 Walter
4,083,483 A * 4/1978 Bayless A47G 25/005
206/278
4,269,347 A * 5/1981 Cavan, Jr. B65D 5/0281
206/777
D283,087 S 3/1986 Lutz
4,801,079 A * 1/1989 Gonella B65D 5/323
229/122.24
D344,890 S * 3/1994 Townes D9/418
D368,588 S 4/1996 Goraleski et al.
6,213,298 B1 * 4/2001 Nguyen B65D 5/422
206/459.1
D449,944 S 11/2001 Wolf

(Continued)

1 Claim, 8 Drawing Sheets



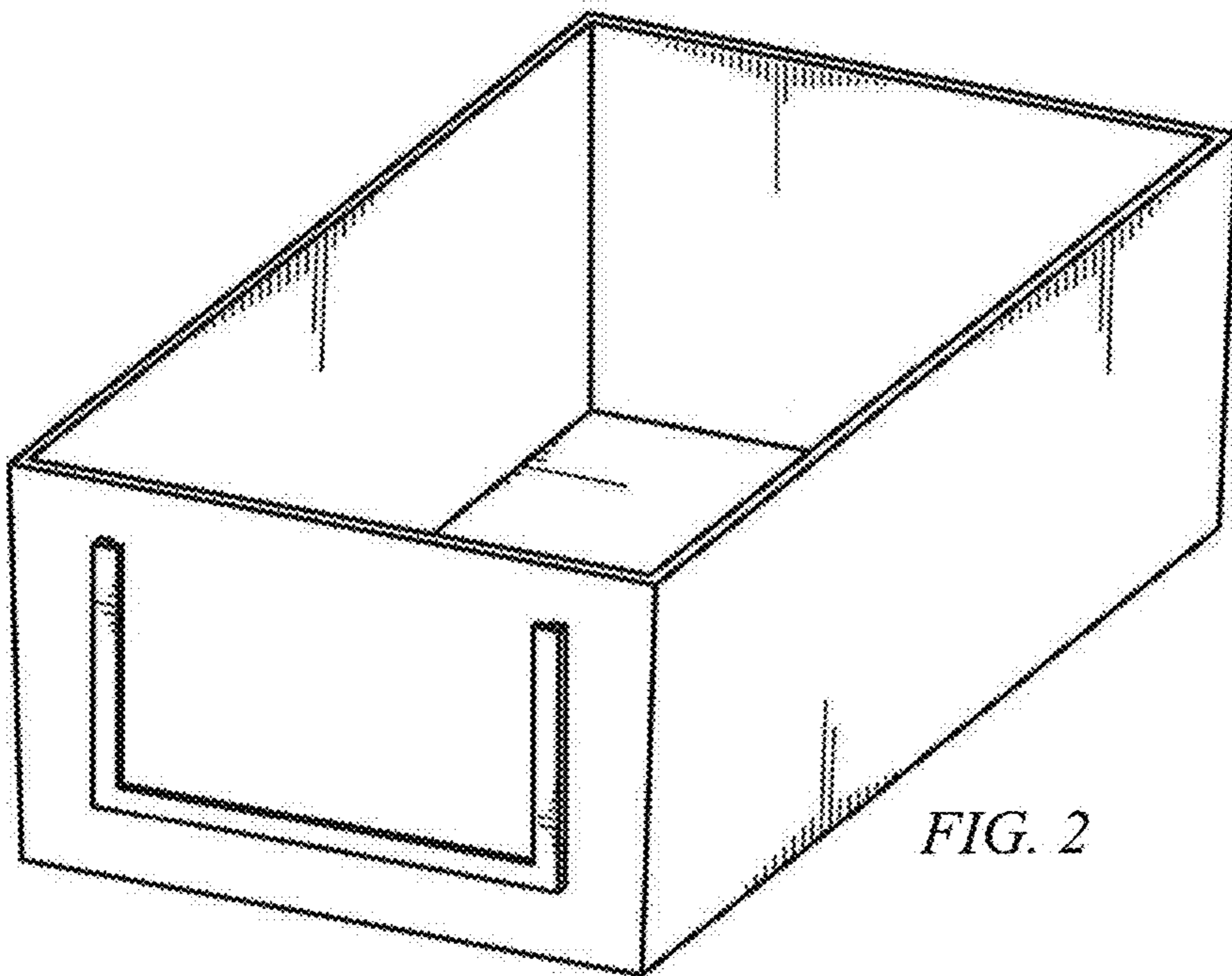
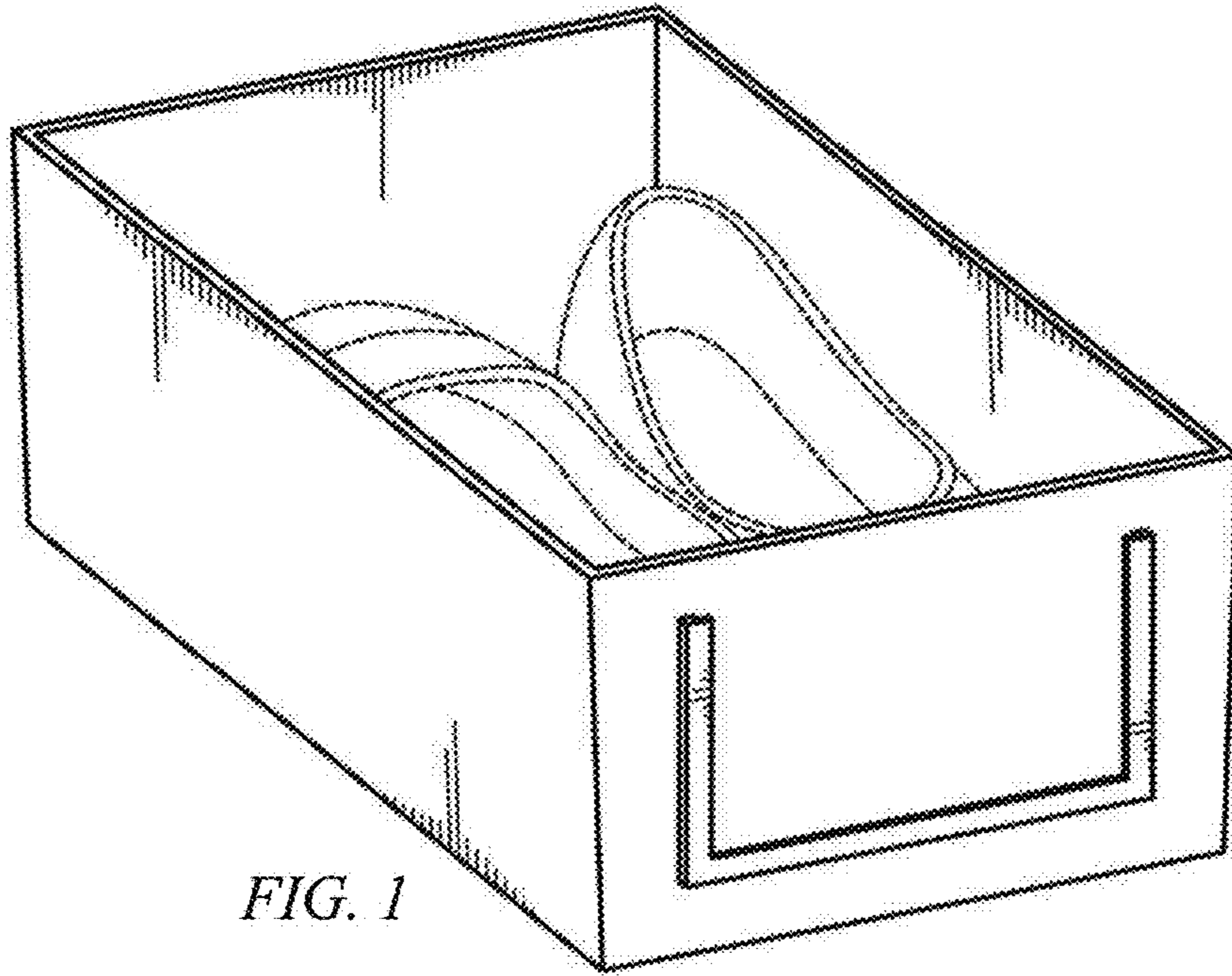
(56)

References Cited

U.S. PATENT DOCUMENTS

D451,802 S	12/2001	Dardashti	
D452,153 S	12/2001	Dardashti	
D510,521 S *	10/2005	Lebras	D9/434
D511,091 S *	11/2005	Liwag	D3/304
D527,901 S *	9/2006	Selsted	D3/302
D538,536 S *	3/2007	Kopenhaver	D3/305
D542,033 S *	5/2007	Kopenhaver	D3/305
D678,760 S *	3/2013	Cooper	D9/418

* cited by examiner



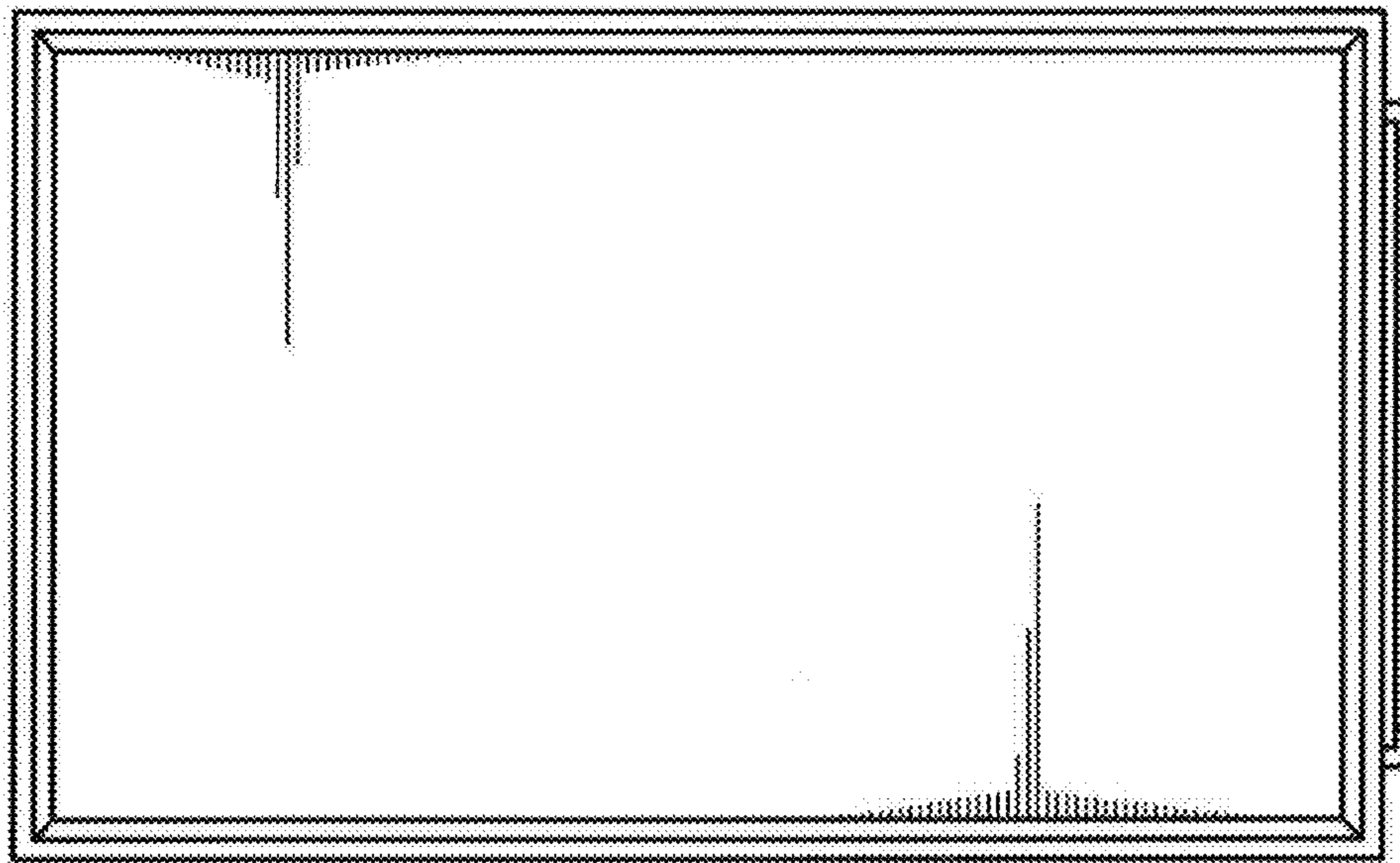


FIG. 3

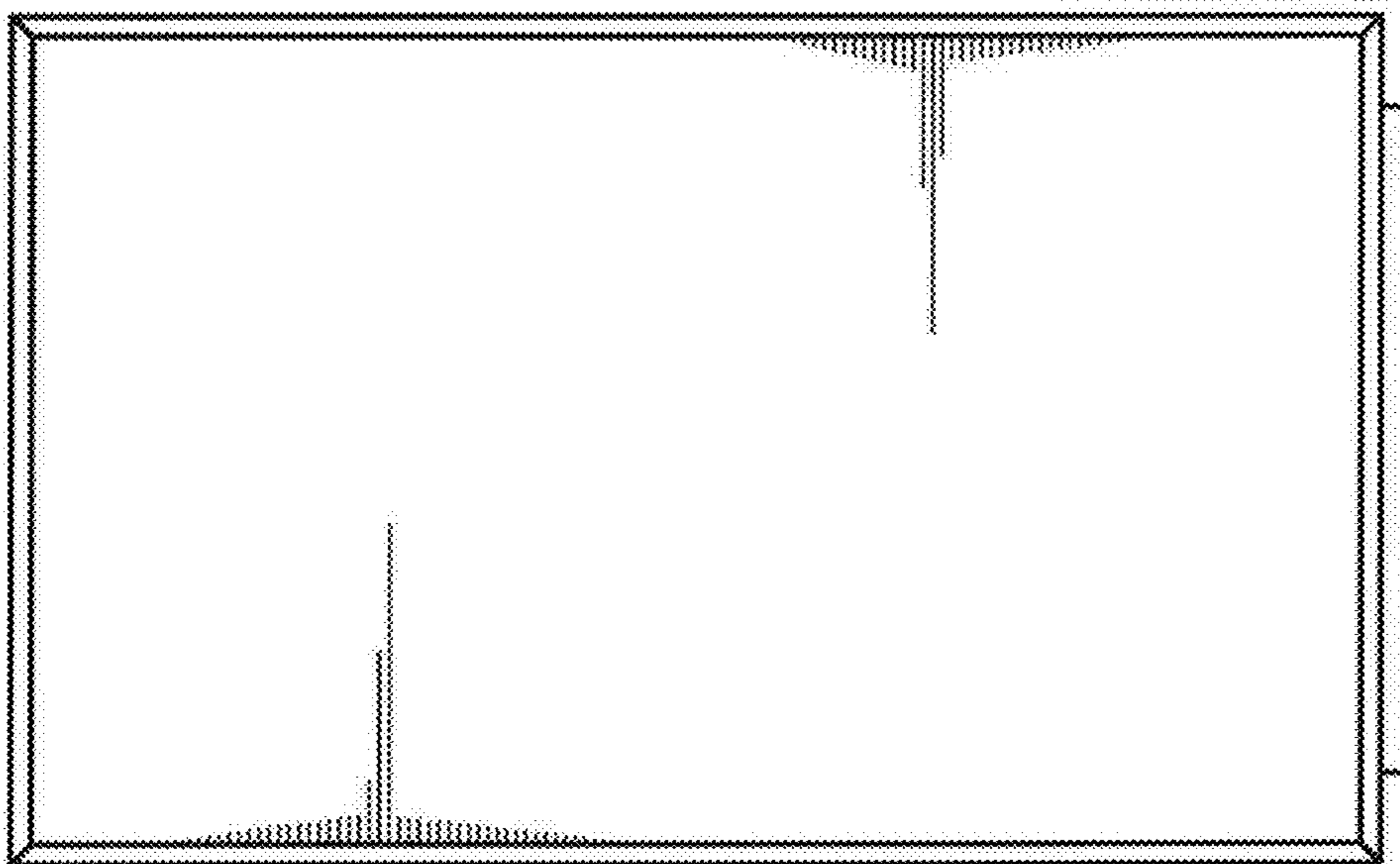


FIG. 4

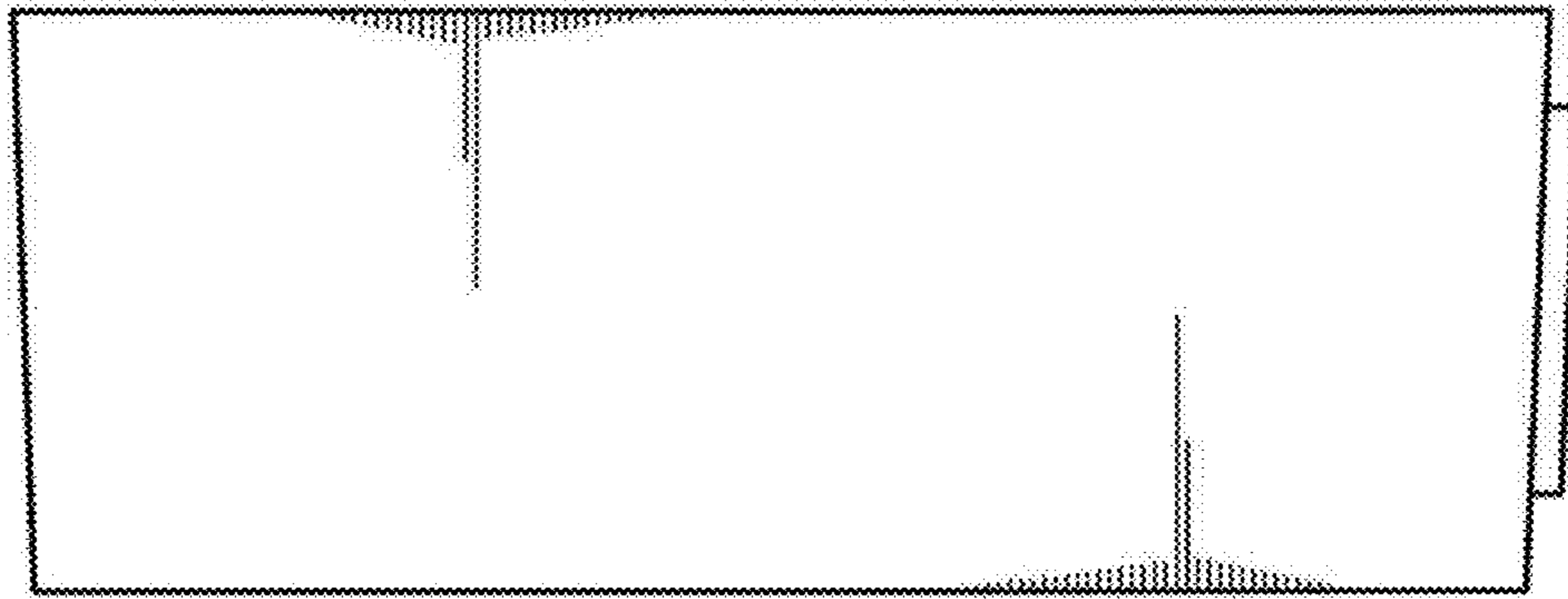


FIG. 5

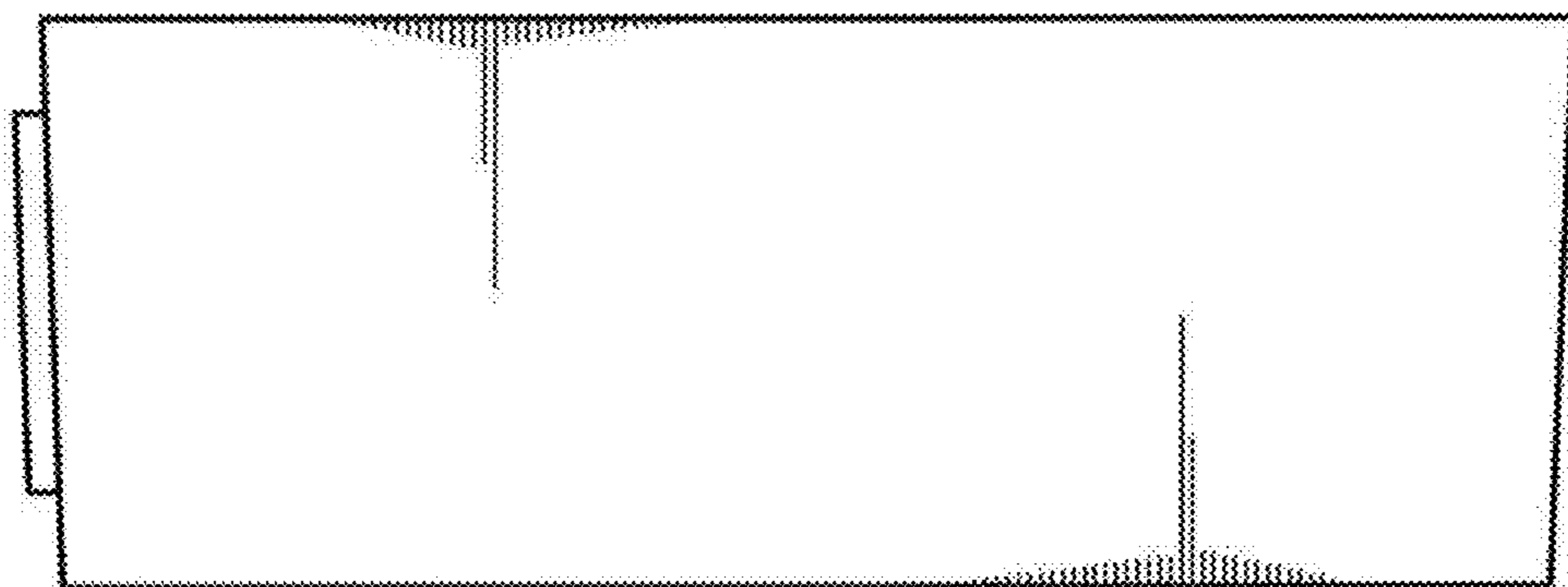


FIG. 6

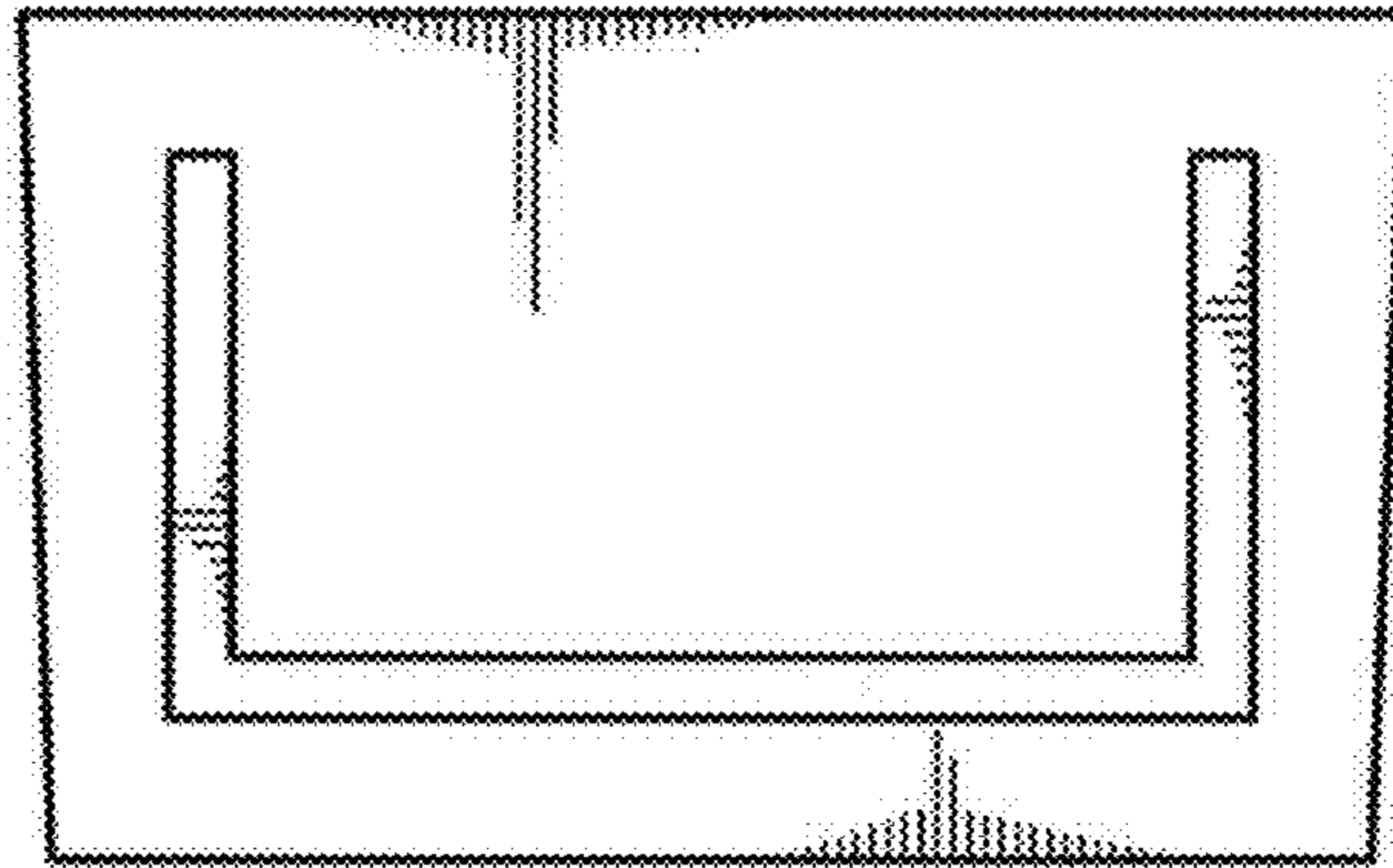


FIG. 7

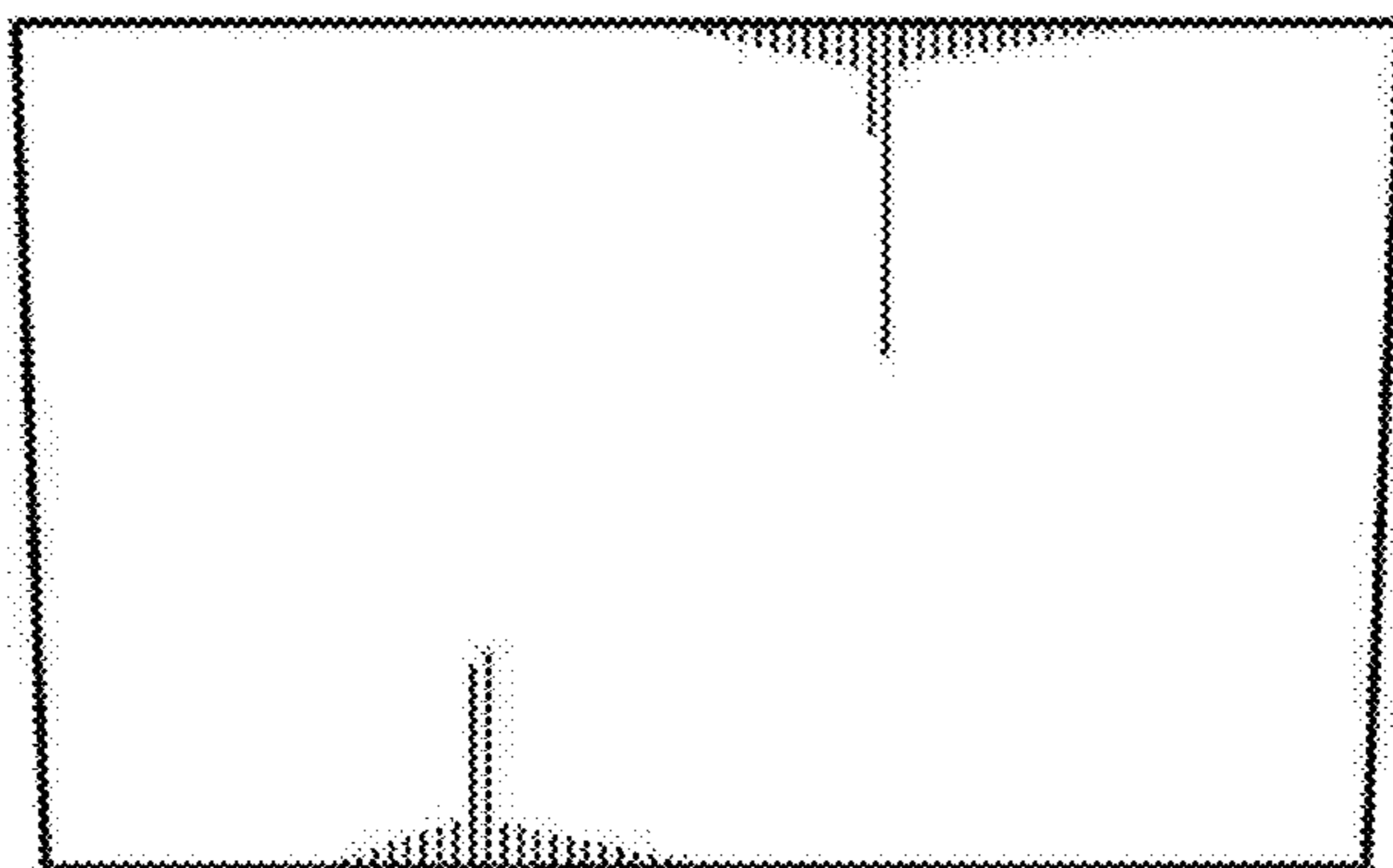


FIG. 8

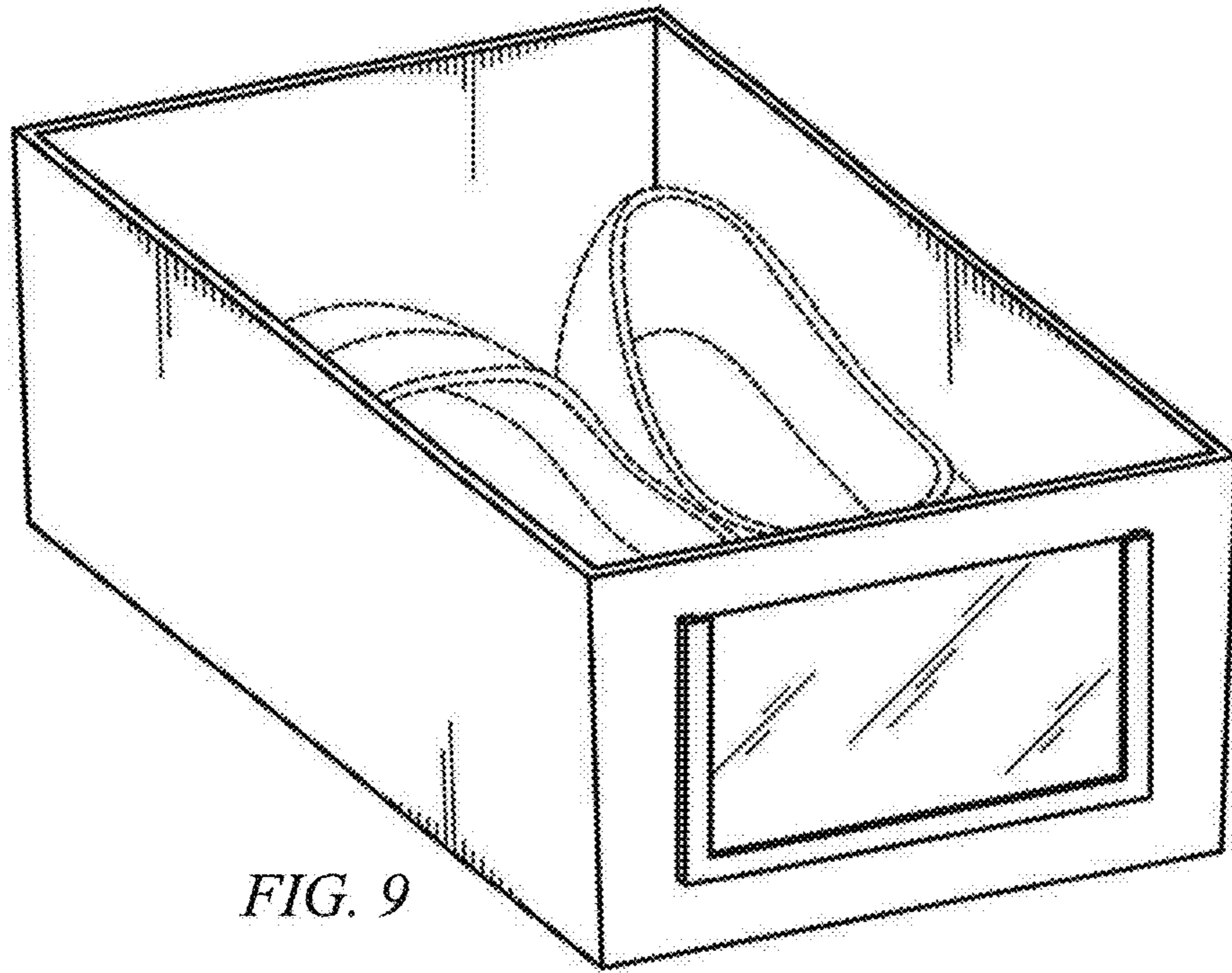


FIG. 9

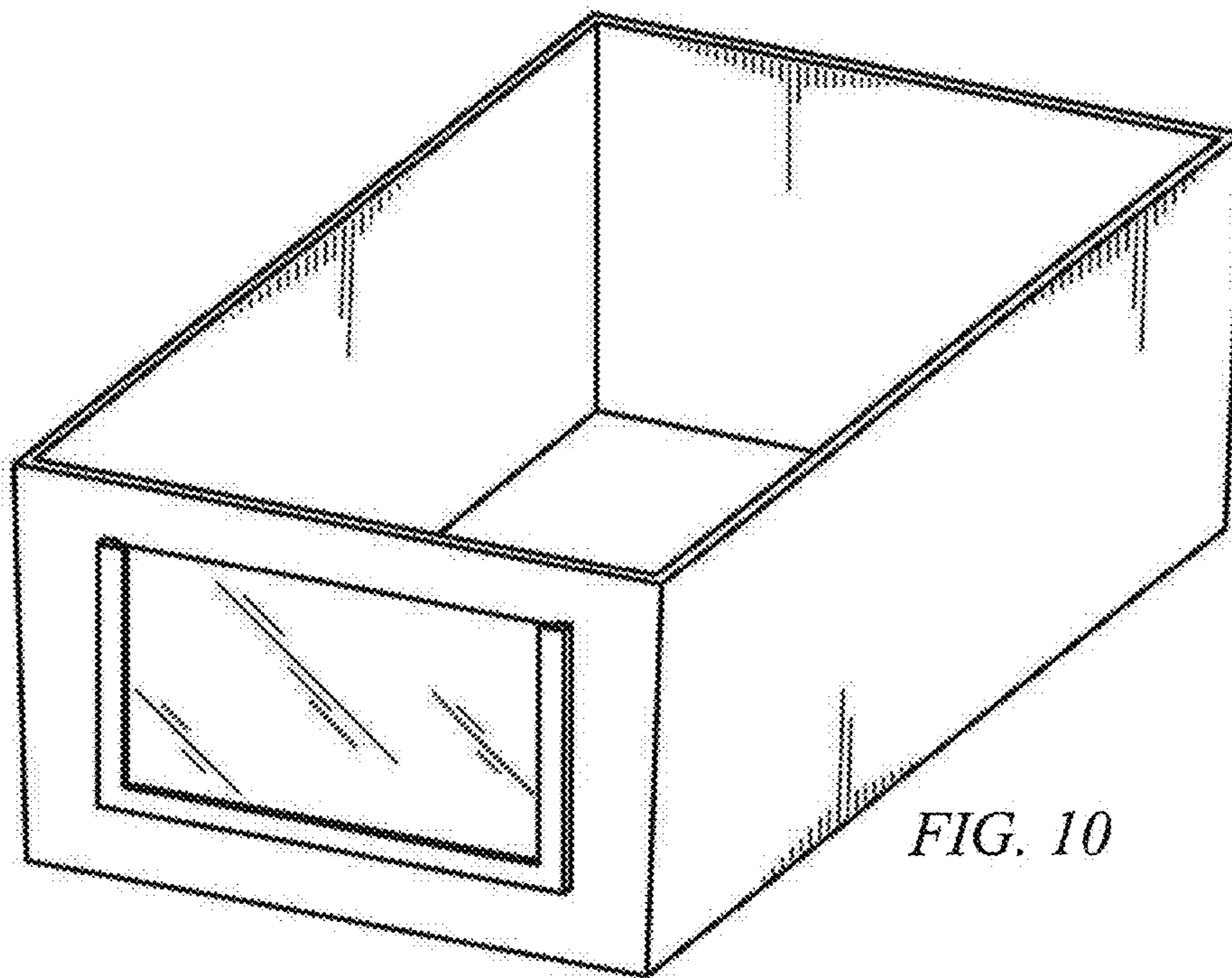


FIG. 10

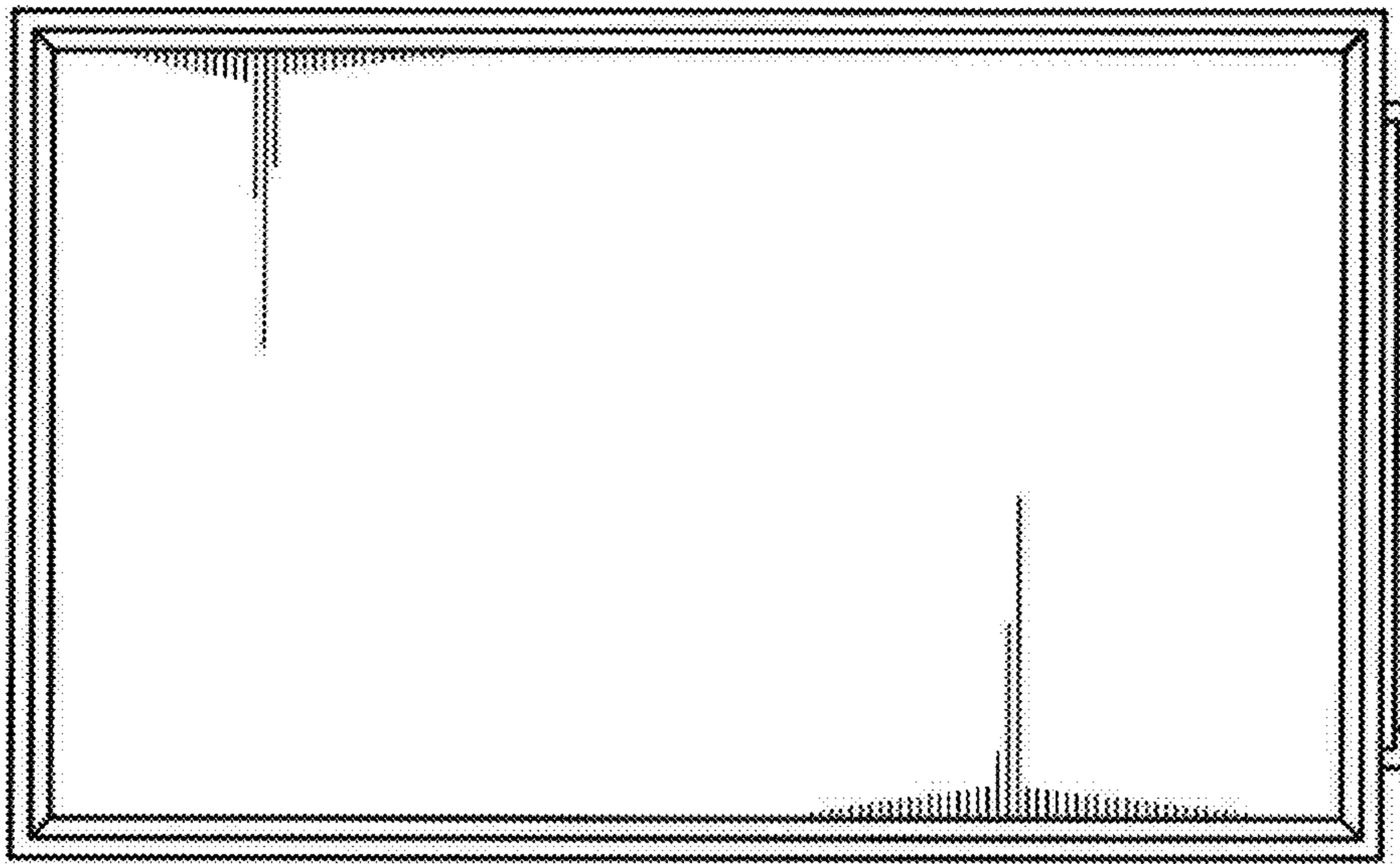


FIG. 11

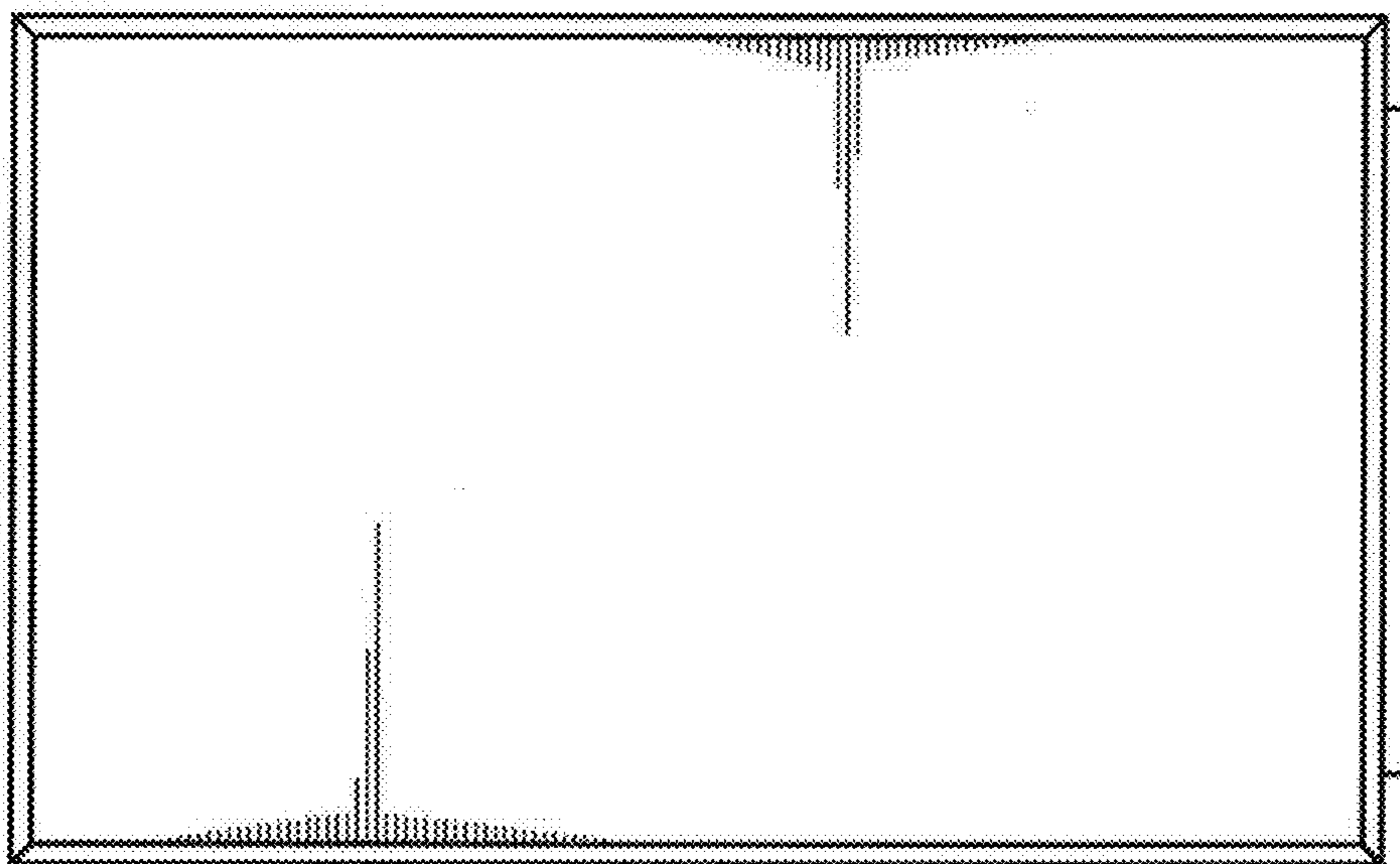


FIG. 12

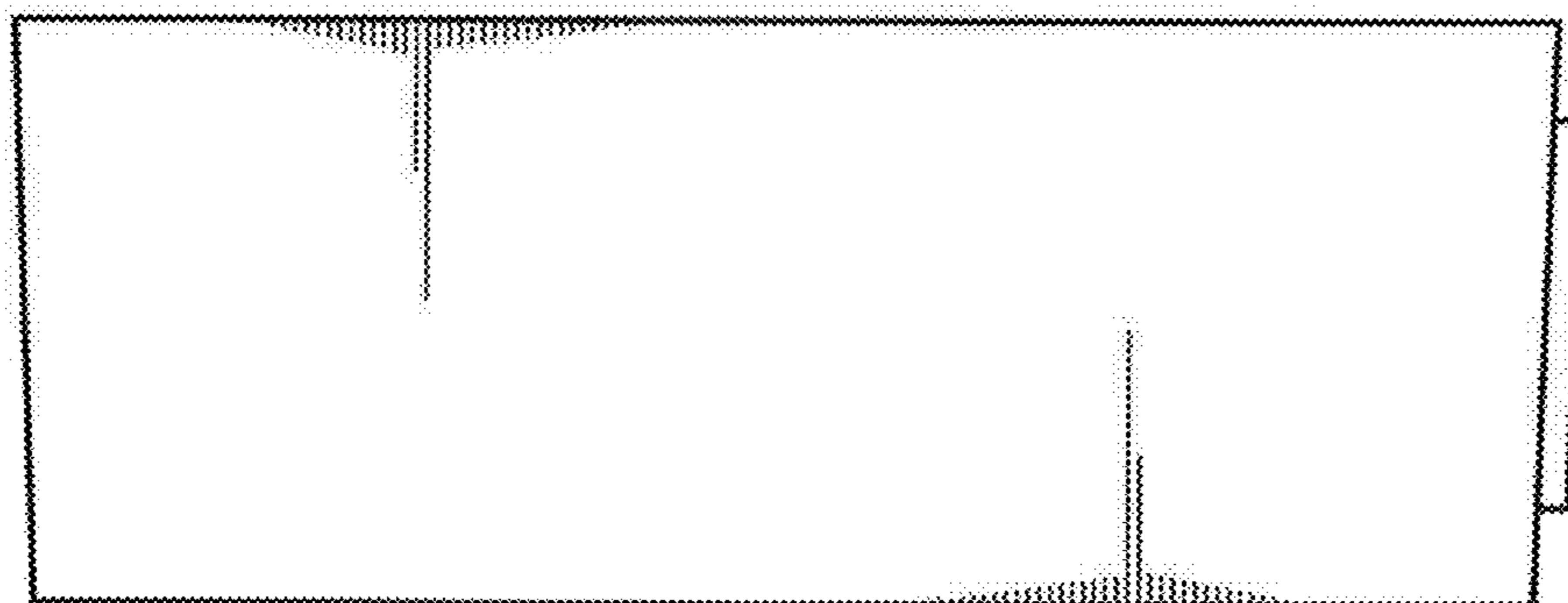


FIG. 13

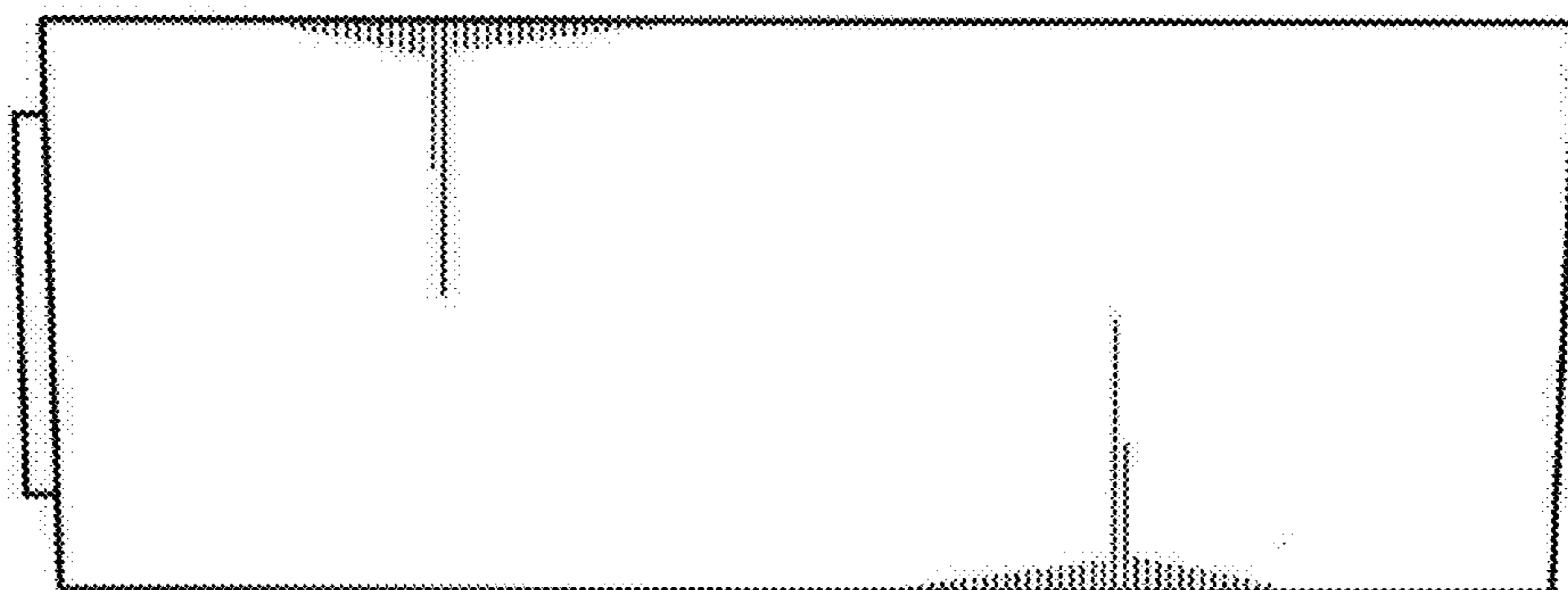


FIG. 14

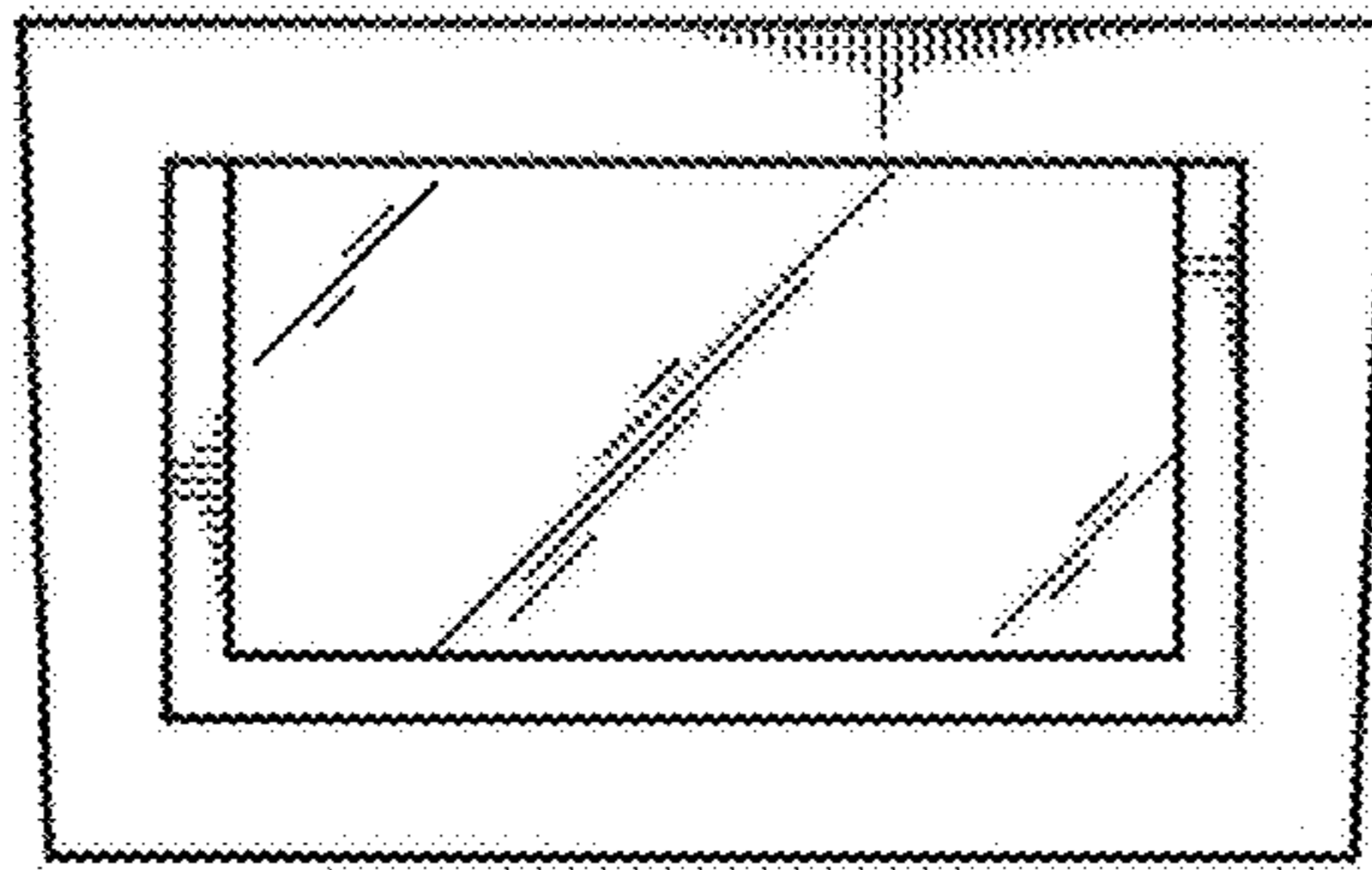


FIG. 15

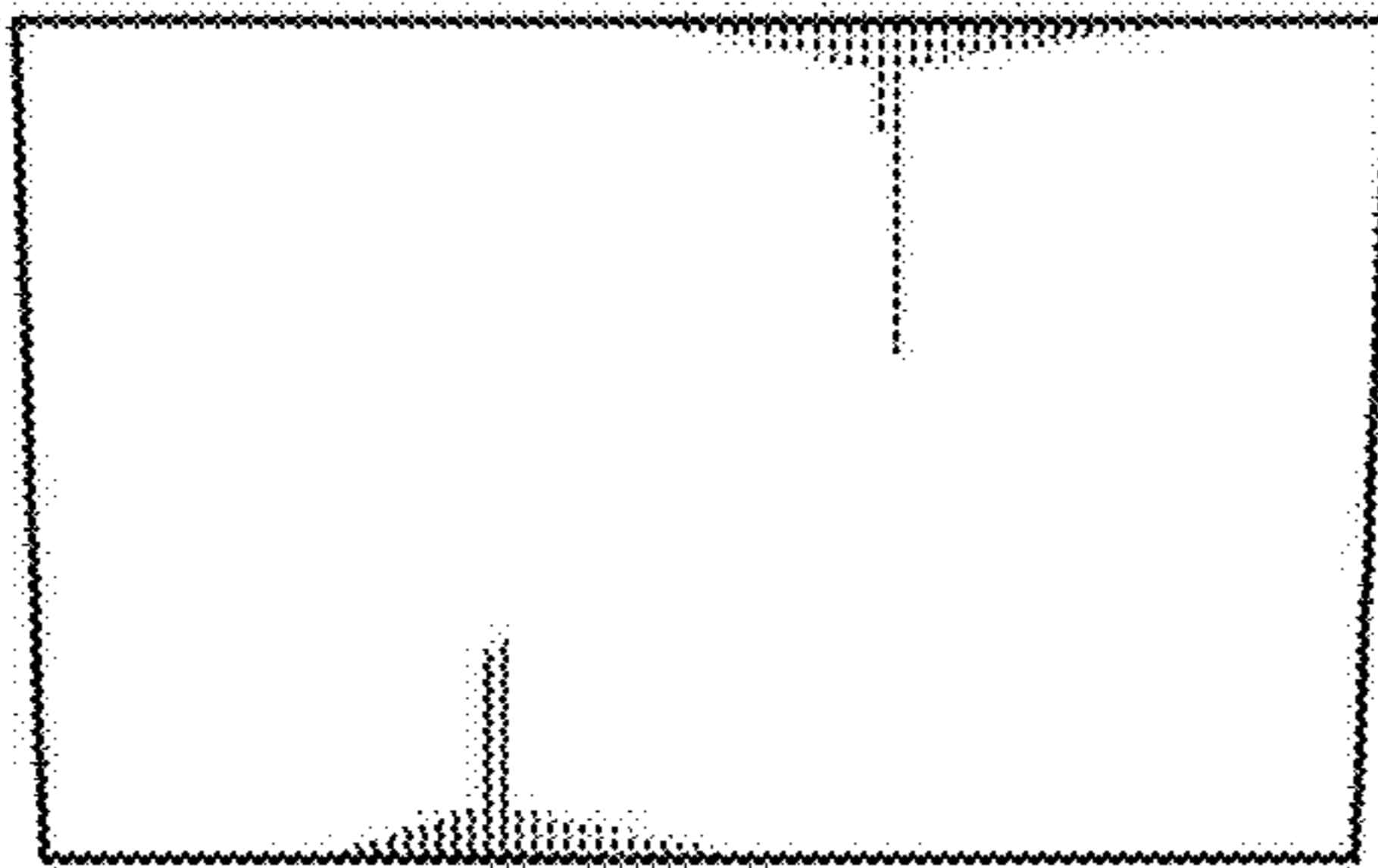


FIG. 16

UNITED STATES PATENT AND TRADEMARK OFFICE
CERTIFICATE OF CORRECTION

PATENT NO. : D787,928 S
APPLICATION NO. : 29/527347
DATED : May 30, 2017
INVENTOR(S) : Jeanine Fleming et al.

Page 1 of 1

It is certified that error appears in the above-identified patent and that said Letters Patent is hereby corrected as shown below:

On the Title Page

Item (57) Line 1: "storage box with display" should be "Storage Box with Display"

In the Description

Line 2: "storage box with display" should be "Storage Box with Display"

Line 4: "storage box with display" should be "Storage Box with Display"

Line 13: "storage box with display" should be "Storage Box with Display"

Line 15: "storage box with display" should be "Storage Box with Display"

Signed and Sealed this
Tenth Day of October, 2017



Joseph Matal
*Performing the Functions and Duties of the
Under Secretary of Commerce for Intellectual Property and
Director of the United States Patent and Trademark Office*