



US00D787927S

(12) **United States Design Patent**  
**Baiz et al.**

(10) **Patent No.:** **US D787,927 S**

(45) **Date of Patent:** **\*\* May 30, 2017**

(54) **LUG NUT CAP**

(71) Applicants: **Enrique J. Baiz**, Miramar, FL (US);  
**Oswaldo Izquierdo**, Homestead, FL (US)

(72) Inventors: **Enrique J. Baiz**, Miramar, FL (US);  
**Oswaldo Izquierdo**, Homestead, FL (US)

(\*\*) Term: **15 Years**

(21) Appl. No.: **29/565,672**

(22) Filed: **May 23, 2016**

(51) **LOC (10) Cl.** ..... **08-08**

(52) **U.S. Cl.**  
USPC ..... **D8/397**

(58) **Field of Classification Search**  
USPC ..... D8/397, 394, 382, 349, 399, 387, 392,  
D8/323, 8; D13/151, 133; D23/305  
CPC ..... F16B 37/00; F16B 37/14; F16B 37/02;  
F16B 37/068; F16B 39/12; F16B 33/02  
See application file for complete search history.

(56) **References Cited**

**U.S. PATENT DOCUMENTS**

- 1,607,273 A \* 11/1926 Hecht ..... F16B 39/36  
301/35.622
- D416,192 S \* 11/1999 Tu ..... D8/397
- D549,179 S \* 8/2007 Amidon ..... D13/151
- D578,488 S \* 10/2008 Amidon ..... D13/133

- D597,959 S \* 8/2009 Malloy ..... D13/151
- D600,210 S \* 9/2009 Snyder ..... D13/133
- D637,901 S \* 5/2011 Hinton ..... D8/397
- D684,455 S \* 6/2013 Relyea ..... D8/397
- D713,243 S \* 9/2014 Hsu ..... D8/397

\* cited by examiner

*Primary Examiner* — John Windmuller  
*Assistant Examiner* — Benjamin Weeks  
(74) *Attorney, Agent, or Firm* — Quickpatents, LLC;  
Kevin Prince

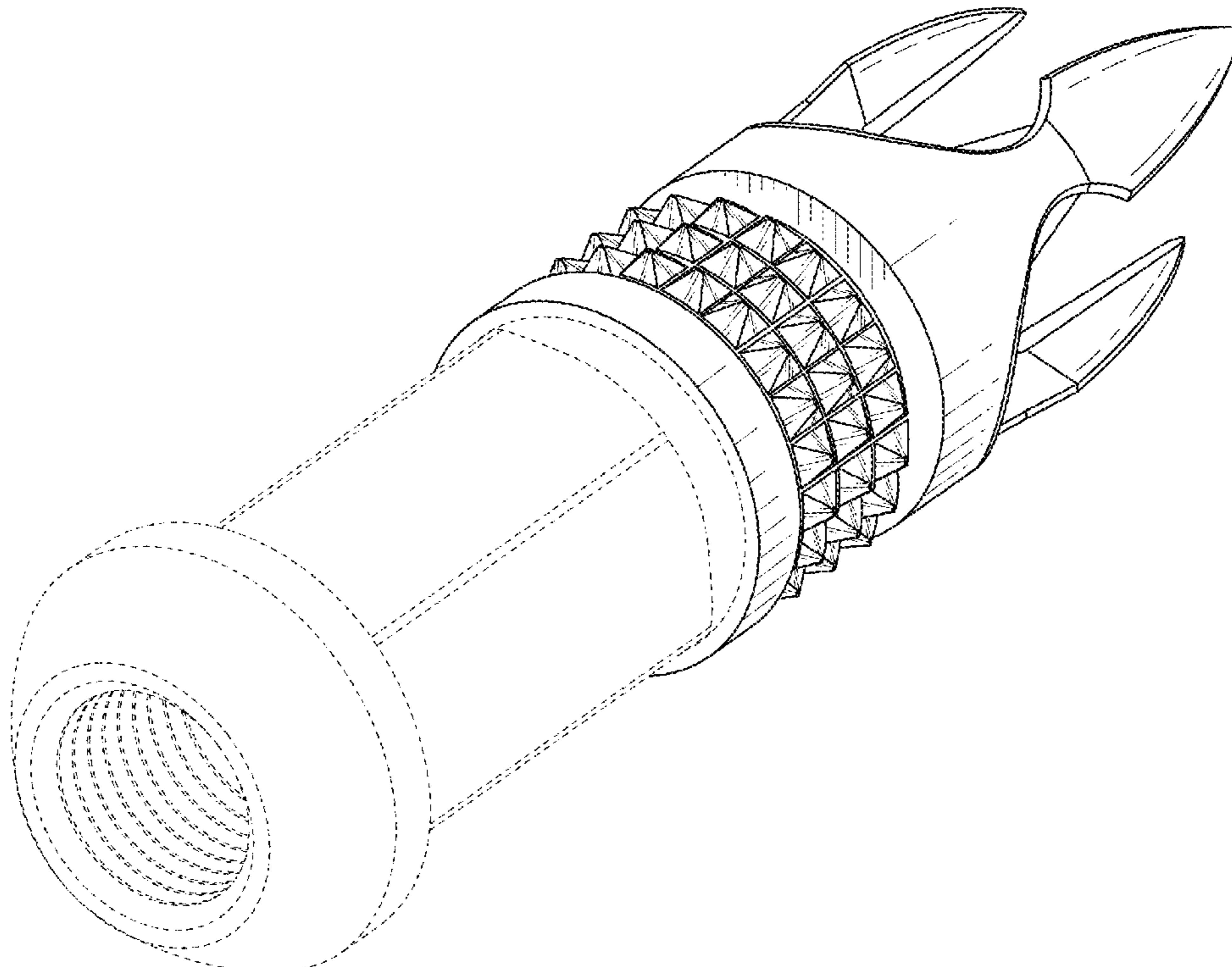
(57) **CLAIM**

We claim the ornamental design for a lug nut cap, as shown and described.

**DESCRIPTION**

FIG. 1 is a bottom perspective view of a lug nut cap, showing our new design;  
FIG. 2 is a bottom perspective view thereof;  
FIG. 3 is a top perspective view thereof;  
FIG. 4 is a front elevational view thereof;  
FIG. 5 is a rear elevational view thereof;  
FIG. 6 is a left-side elevational view thereof, the right-side elevational view being a mirror image thereof;  
FIG. 7 is a cross-sectional view thereof, taken along line 7-7 of FIG. 3; and,  
FIG. 8 is a bottom plan view thereof.  
The broken lines showing an attached lug nut in FIG. 1 illustrate environmental matter and form no part of the claimed design.

**1 Claim, 7 Drawing Sheets**



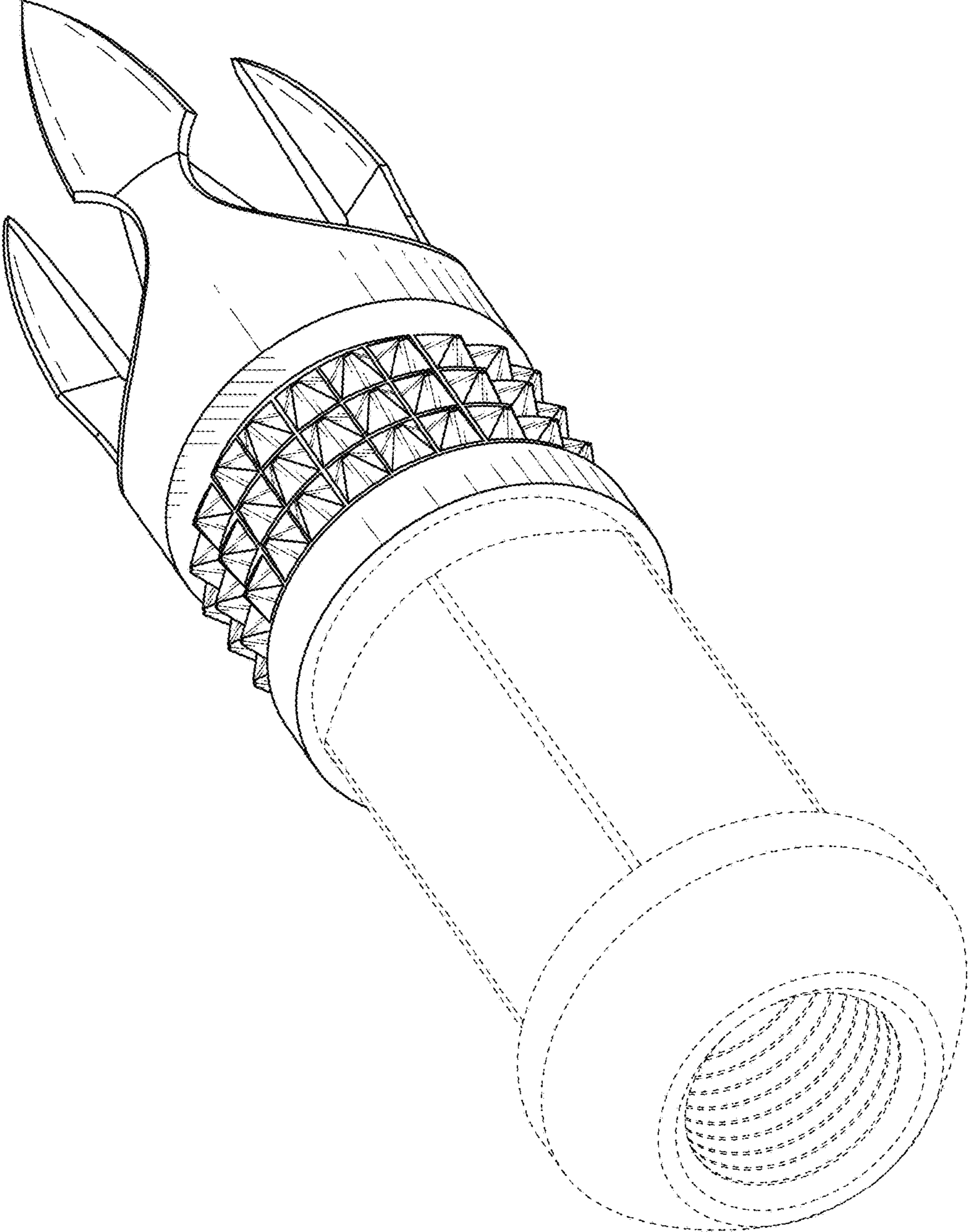


FIG. 1

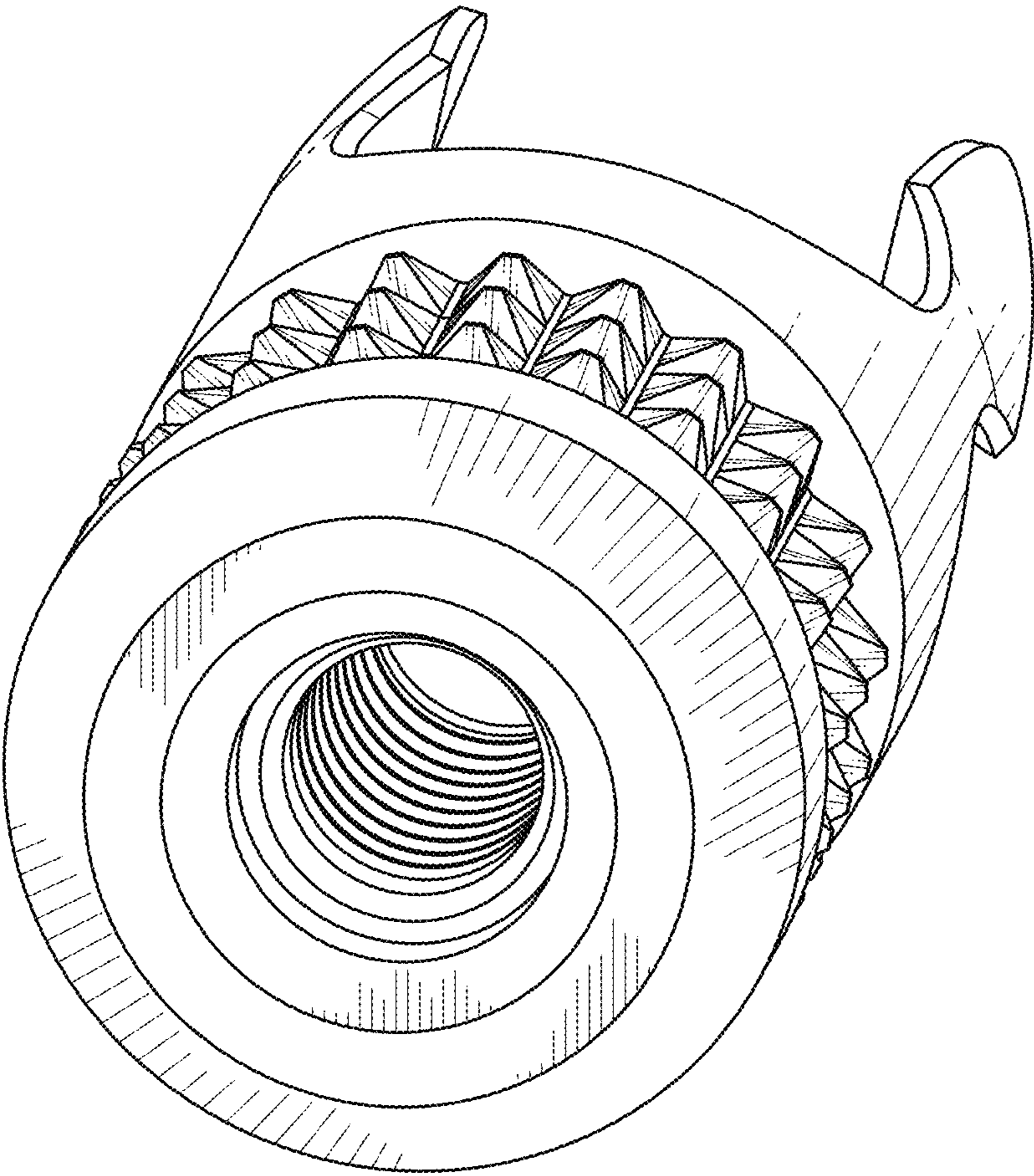


FIG. 2

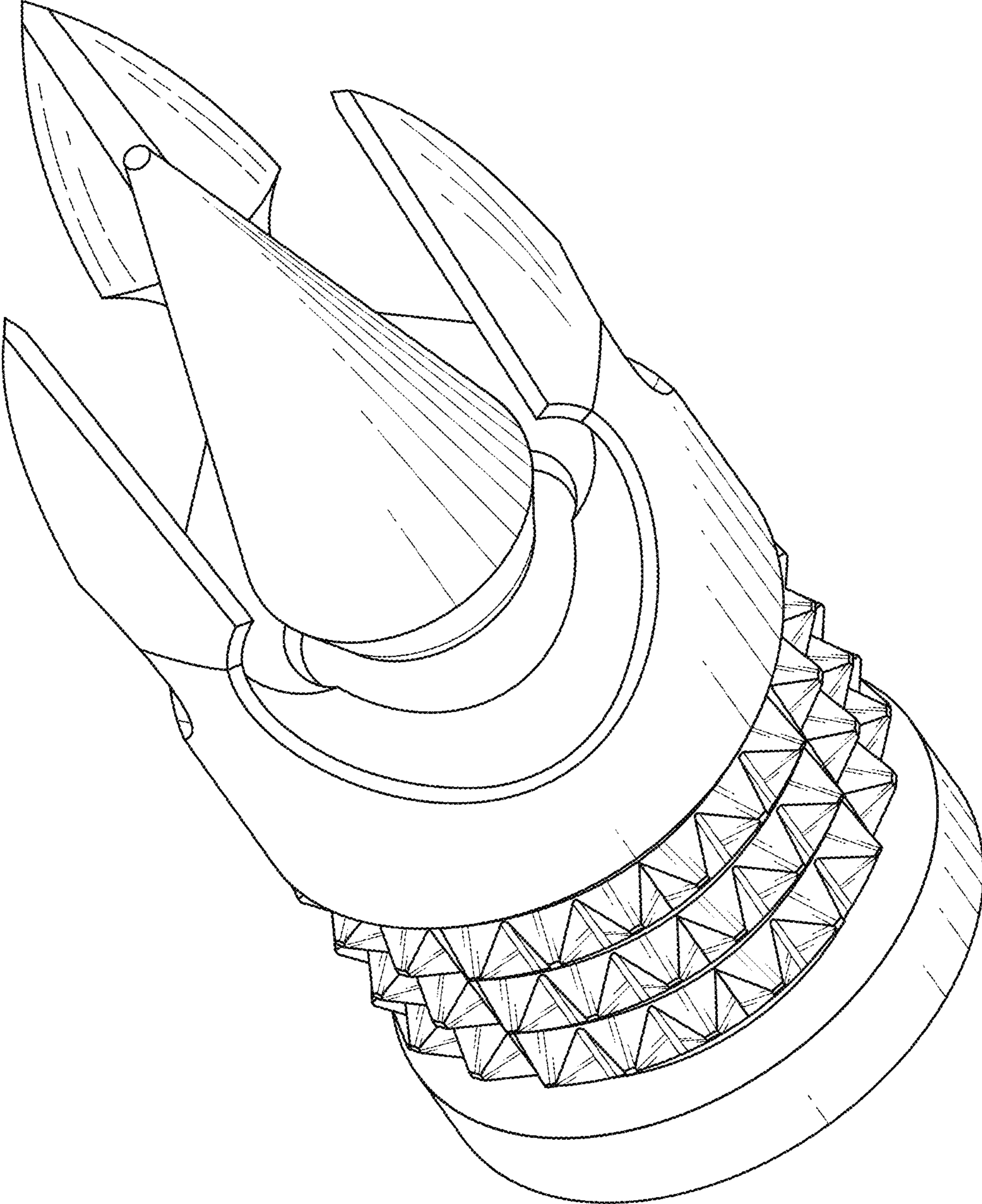


FIG. 3

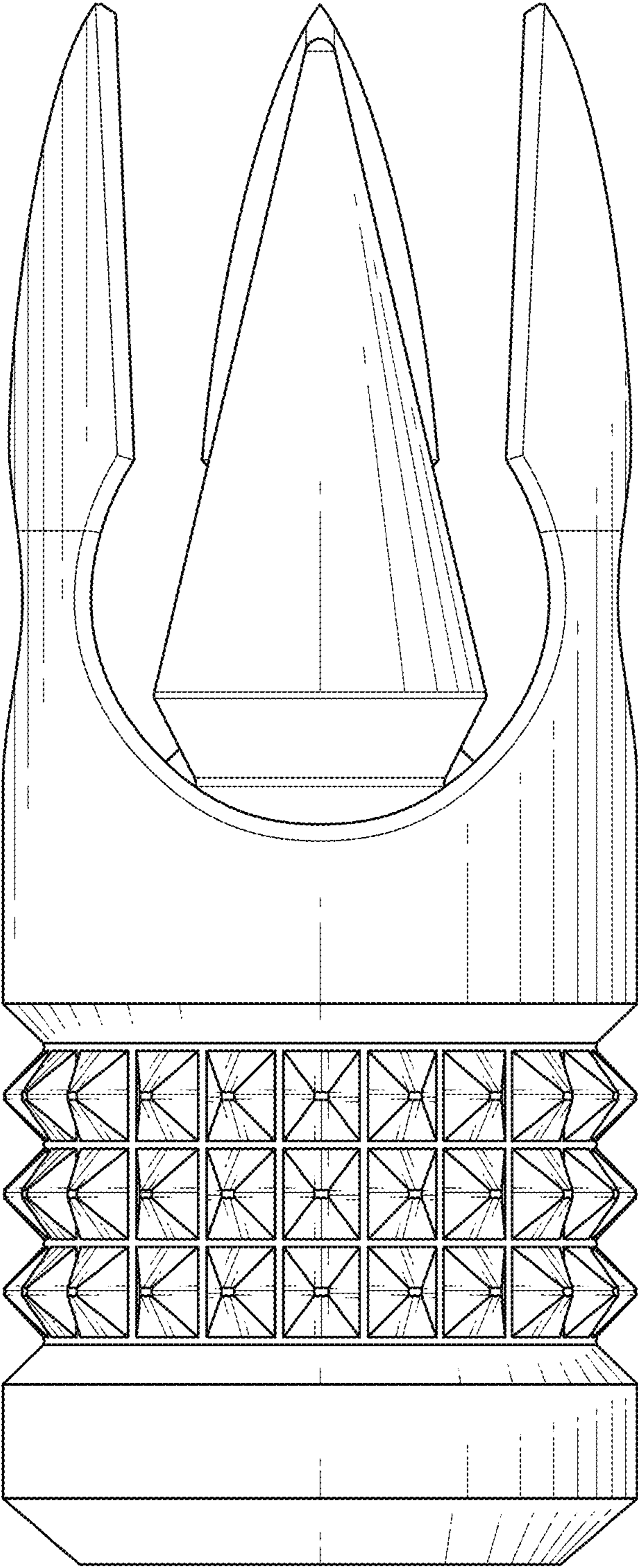


FIG. 4

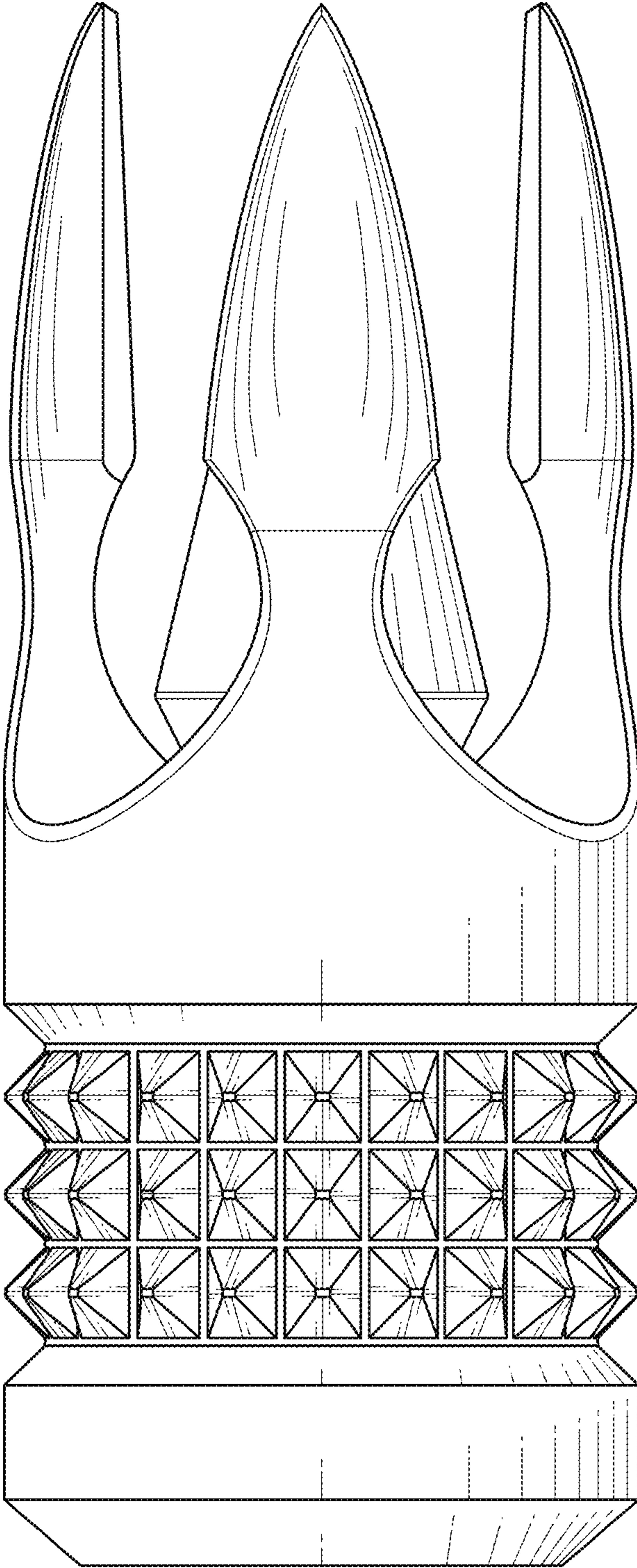


FIG. 5

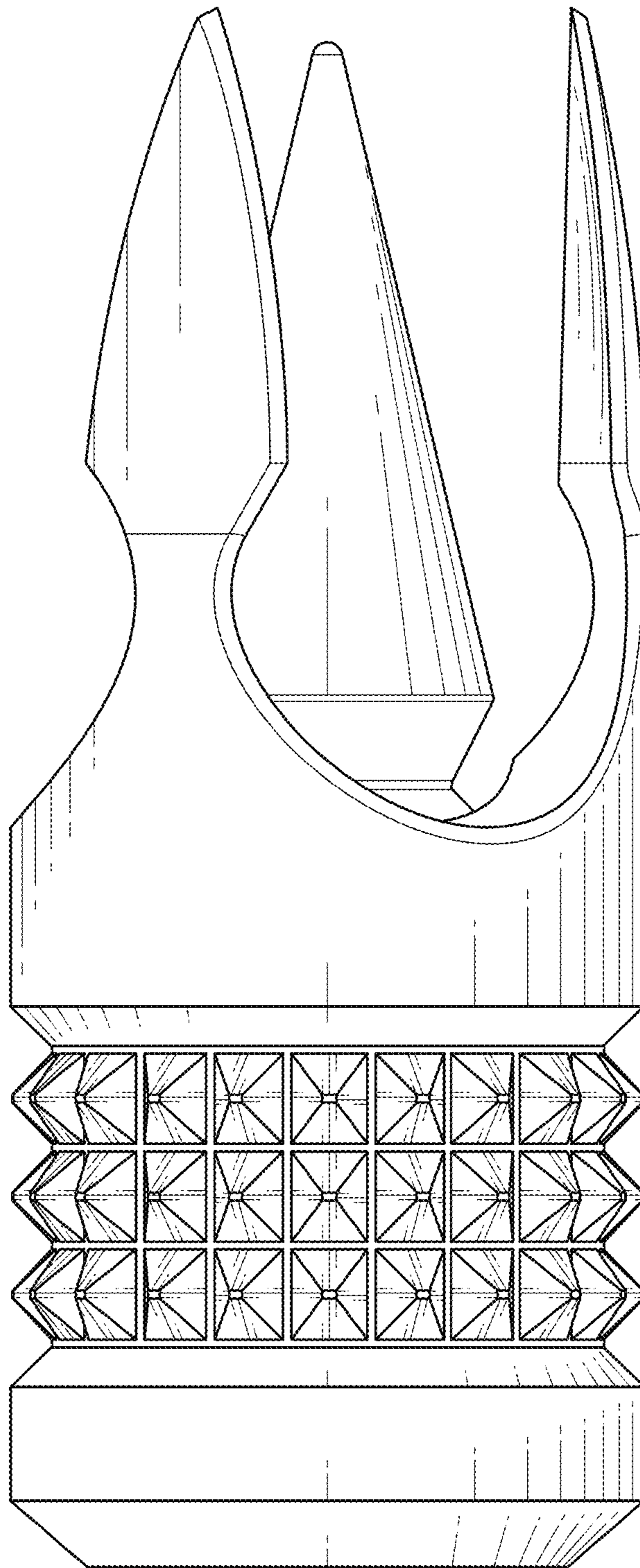


FIG. 6

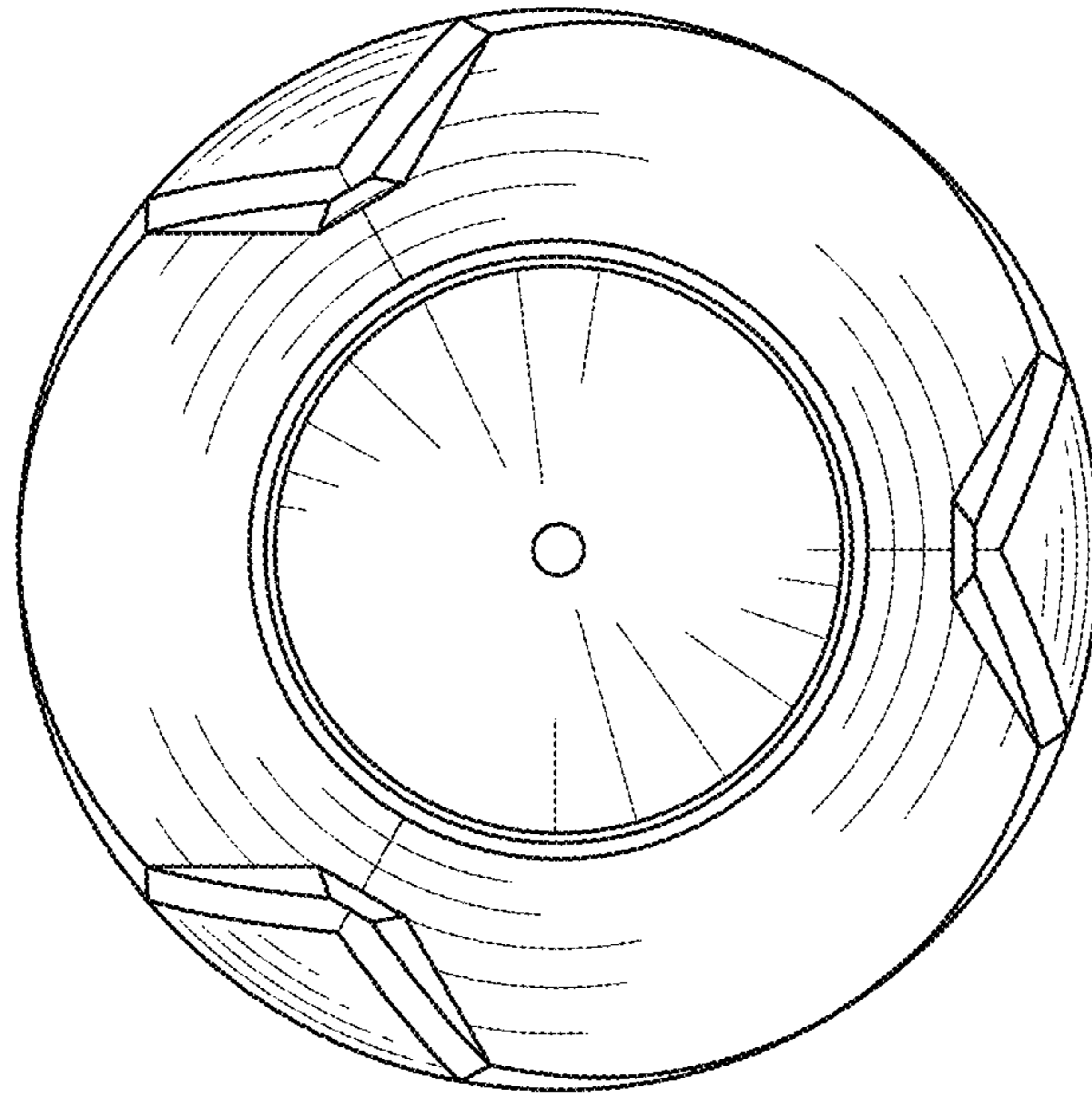


FIG. 7

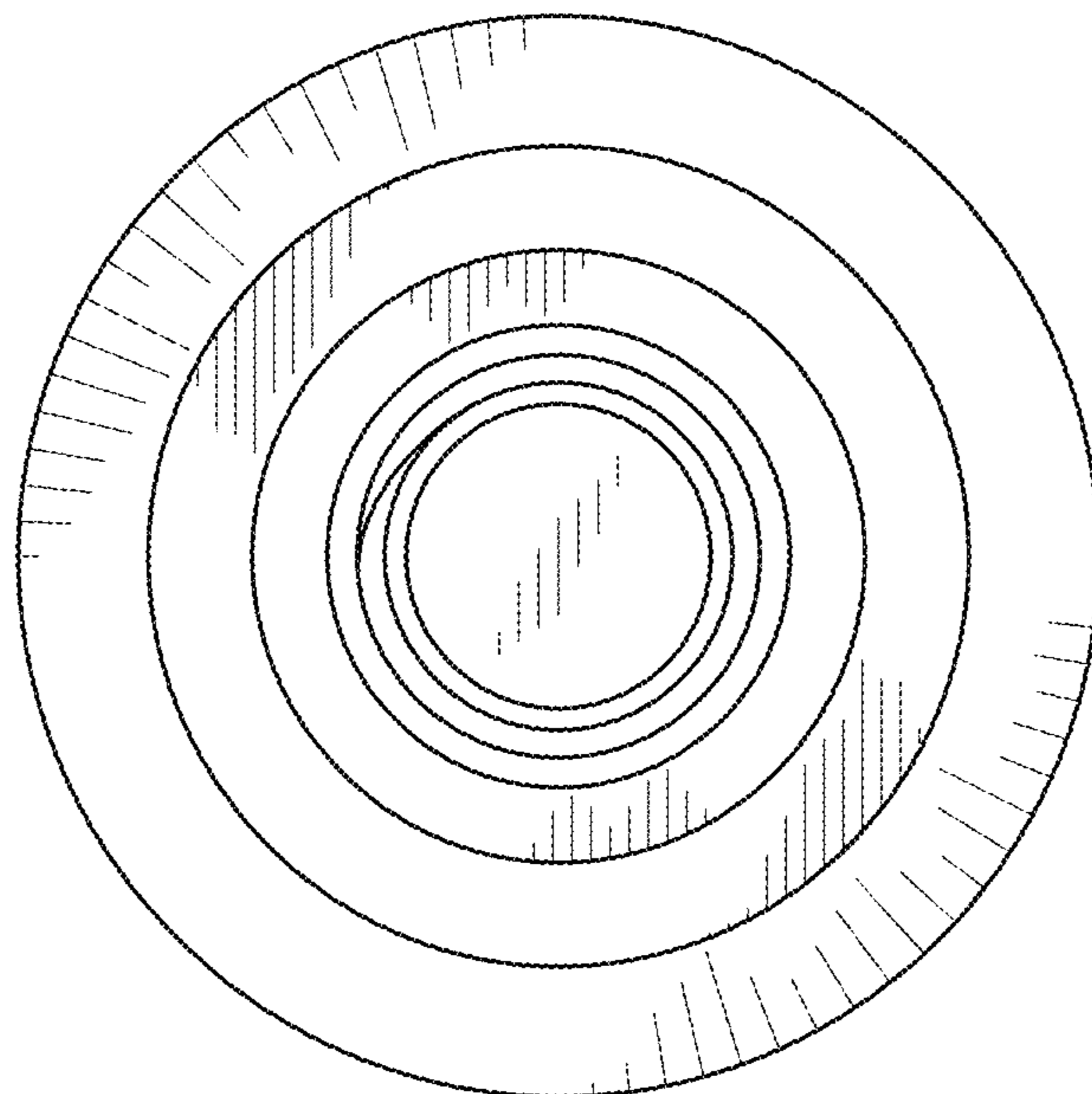


FIG. 8