



US00D787925S

(12) **United States Design Patent** (10) **Patent No.:** **US D787,925 S**
Moerer (45) **Date of Patent:** **** May 30, 2017**

(54) **CLIP TO SUSPEND EYEWEAR AND OTHER ARTICLES**

(71) Applicant: **David J. Moerer**, Redding, CA (US)

(72) Inventor: **David J. Moerer**, Redding, CA (US)

(**) Term: **15 Years**

(21) Appl. No.: **29/536,092**

(22) Filed: **Aug. 13, 2015**

(51) **LOC (10) Cl.** **08-08**

(52) **U.S. Cl.**
USPC **D8/394**; D11/208

(58) **Field of Classification Search**
USPC D8/394, 395, 396, 78.1; D3/207, 215, D3/219, 229, 263-268, 301, 211; D12/417; 24/3.1, 3.3, 3.7, 3.8; 206/5, 6; 248/902; 351/112, 155; D15/215; D19/196, 99; 224/251, 269
CPC G02C 11/00; G02C 9/04; Y10T 24/1371; Y10T 24/13; A45F 5/02; A45F 5/00; A44C 15/003; A47F 7/02; A47F 7/021; A45C 11/04
See application file for complete search history.

(56) **References Cited**

U.S. PATENT DOCUMENTS

D363,453 S *	10/1995	Herdt	D11/78.1
D445,251 S *	7/2001	Newler	G02C 3/04
				D3/215
D471,709 S *	3/2003	Coyne	D3/263
6,533,414 B2 *	3/2003	Newler	G02C 3/04
				224/251
D487,344 S *	3/2004	Sieger	D3/219
D523,330 S *	6/2006	Mattesky	D8/395
D532,291 S *	11/2006	Geers	D8/394
D566,539 S *	4/2008	Hicks	D8/395

7,963,010 B2 *	6/2011	Levesque	A44B 99/00
				24/3.1
D641,614 S *	7/2011	Pontaoe	D8/394
D664,030 S *	7/2012	Kleiber, Jr.	D8/394
D686,910 S *	7/2013	Towell, Jr.	D8/395
D710,097 S *	8/2014	Forbus	D3/266
D756,644 S *	5/2016	Murphy, Jr.	D3/266
2011/0011906 A1 *	1/2011	Musgrave	A45F 5/02
				224/269

* cited by examiner

Primary Examiner — Cynthia Ramirez

Assistant Examiner — Michael Maharajh

(74) *Attorney, Agent, or Firm* — Heisler & Associates

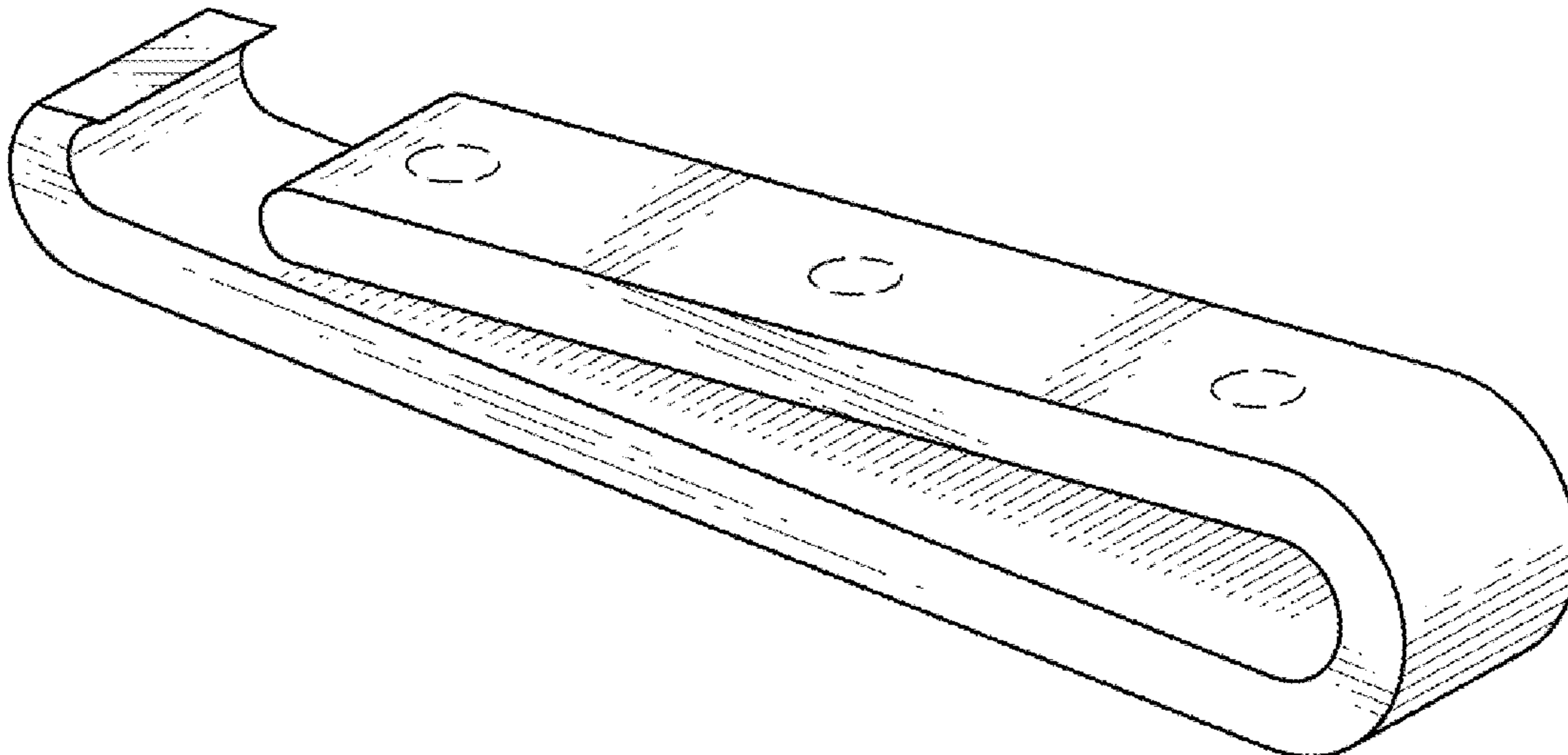
(57) **CLAIM**

The ornamental design for a clip to suspend eyewear and other articles, as shown and described.

DESCRIPTION

FIG. 1 is a perspective view of the clip to suspend eyewear and other articles, showing my new design;
 FIG. 2 is a front elevation view thereof;
 FIG. 3 is a top plan view, the bottom plan view being a mirror image thereof;
 FIG. 4 is a rear elevation view thereof;
 FIG. 5 is a right side view thereof;
 FIG. 6 is a left side view thereof;
 FIG. 7 is another perspective view thereof; and,
 FIG. 8 is another perspective view thereof.
 The three circular shapes within the clip shown in broken lines are for the purpose of illustrating portions of the clip to suspend eyewear and other articles and form no part of the claimed design. All other broken lines in the drawing disclosure are for the purpose of illustrating environment and form no part of the claimed design.

1 Claim, 2 Drawing Sheets



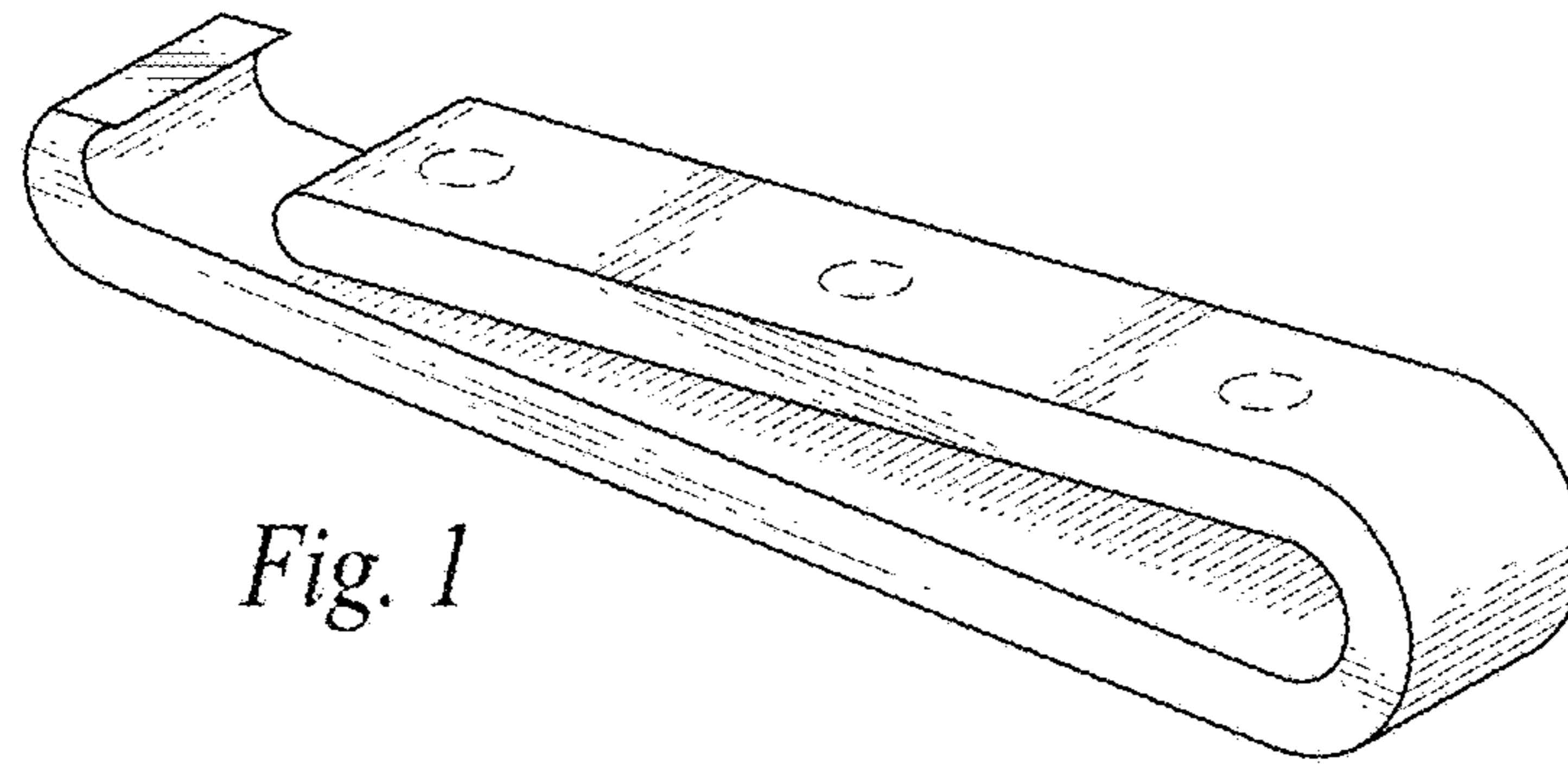


Fig. 1

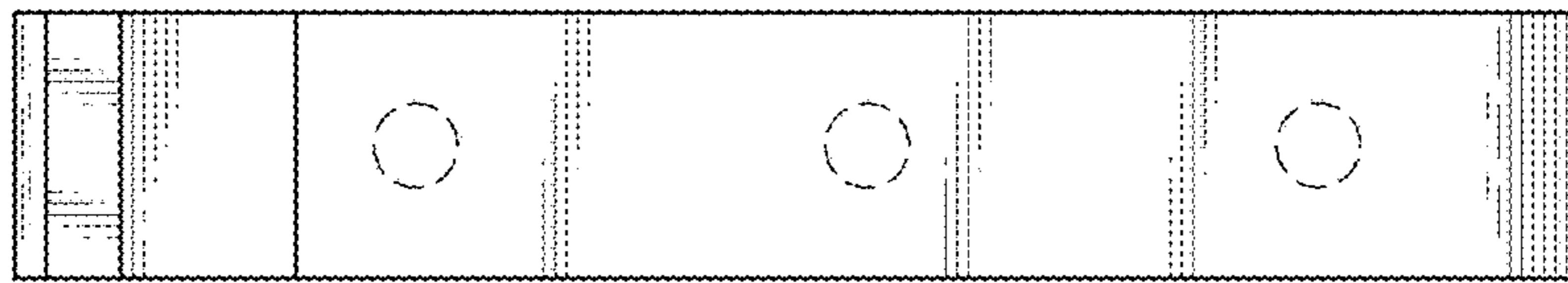


Fig. 2

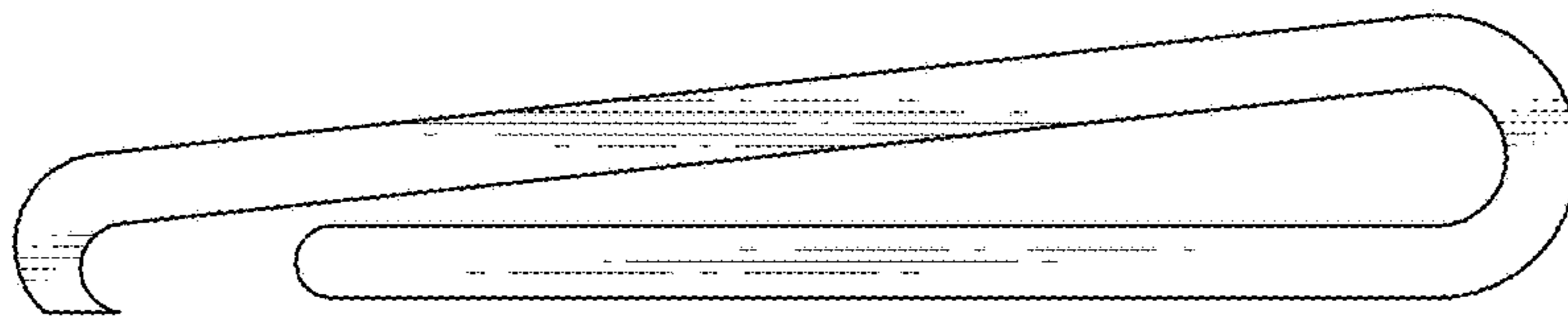


Fig. 3

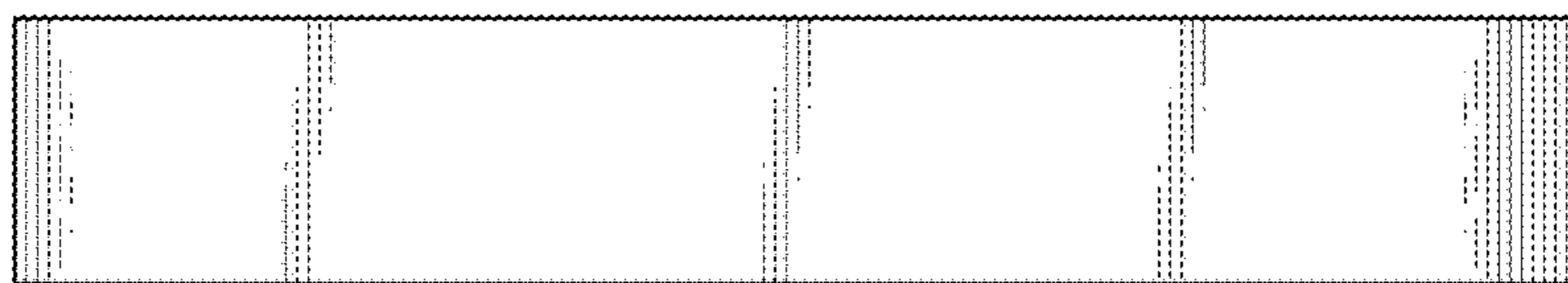


Fig. 4

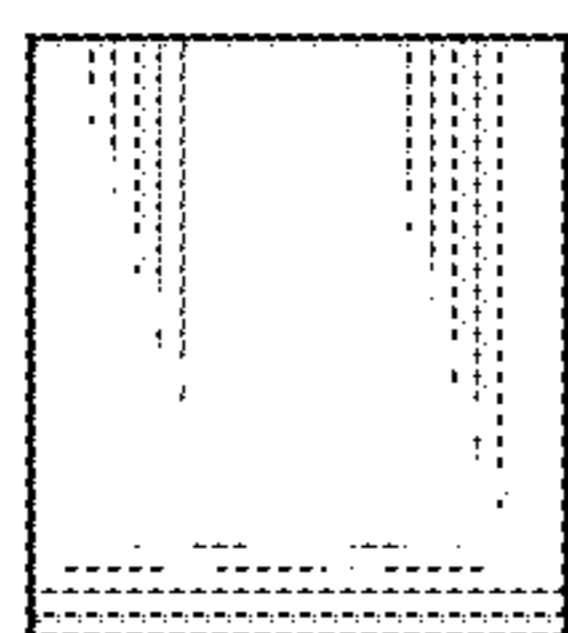


Fig. 5

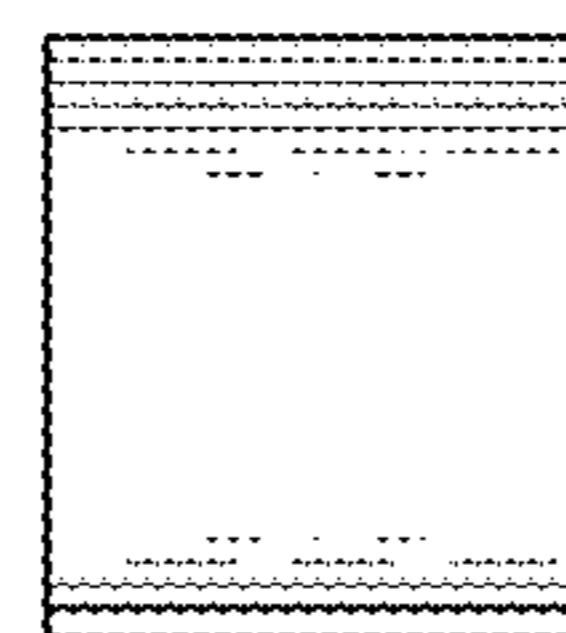


Fig. 6

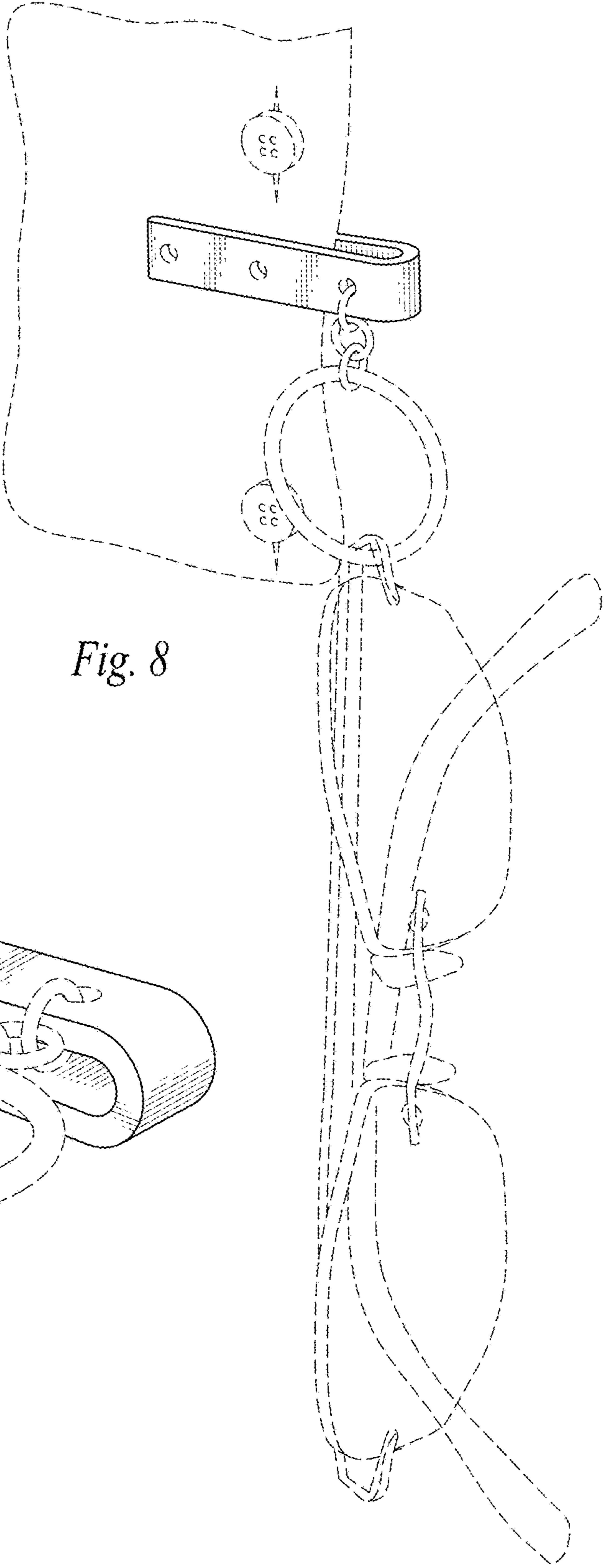


Fig. 8

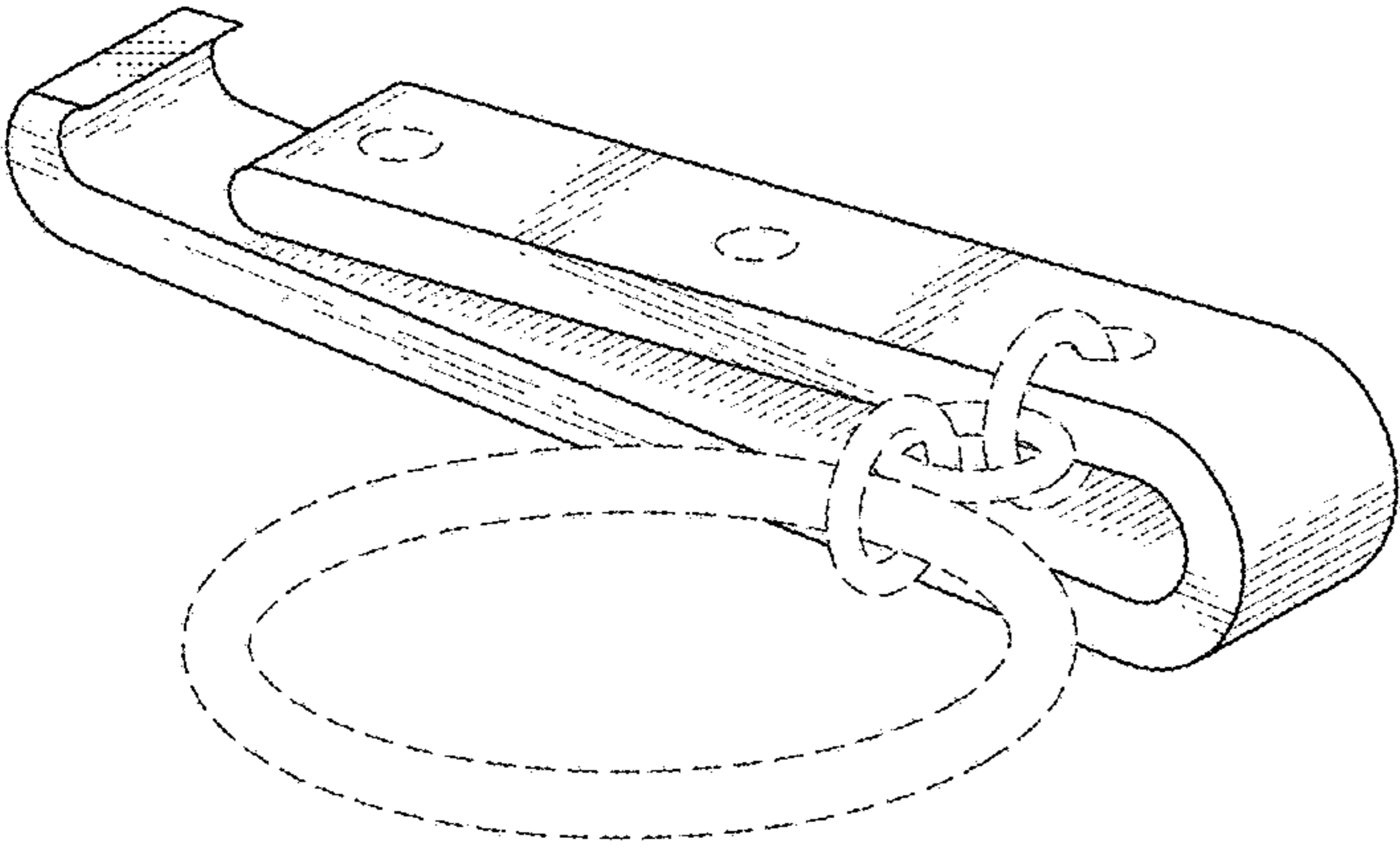


Fig. 7