



US00D787924S

(12) **United States Design Patent** (10) **Patent No.:** **US D787,924 S**
Baiz et al. (45) **Date of Patent:** **** May 30, 2017**

(54) **LUG NUT BOLT**
(71) Applicant: **ESR PERFORMANCE CORP,**
Miami, FL (US)
(72) Inventors: **Enrique J Baiz,** Miramar, FL (US);
Oswaldo Izquierdo, Homestead, FL
(US)
(**) Term: **15 Years**
(21) Appl. No.: **29/558,310**
(22) Filed: **Mar. 16, 2016**
(51) **LOC (10) Cl.** **08-08**
(52) **U.S. Cl.**
USPC **D8/387; D8/397**
(58) **Field of Classification Search**
USPC D8/382, 387, 388, 391, 393, 397, 399;
D12/202, 213, 223, 400, 207, 208
CPC F16B 37/00; F16B 37/14; F16B 37/145;
F16B 35/04; F16B 35/06; F16B 41/00;
F16B 41/002; F16B 41/005; F16B 23/00;
B60B 23/06; B60B 23/08; B60B 27/065;
B60B 3/16; B60B 3/165; Y10S 411/91;
Y10S 411/914; Y10S 411/915; Y10T
70/5867
See application file for complete search history.

(56) **References Cited**
U.S. PATENT DOCUMENTS
D268,565 S * 4/1983 Mortus D8/397
5,324,148 A * 6/1994 Notaro F16B 35/00
411/373
5,803,690 A * 9/1998 Savinsky F16B 23/0046
411/402
5,827,025 A * 10/1998 Henriksen F16B 39/26
411/11
6,106,077 A * 8/2000 Kluge B60B 3/165
301/122

D446,111 S * 8/2001 Hussaini D8/29
6,435,791 B1 * 8/2002 Bydalek B60B 3/145
411/371.2
6,592,314 B1 * 7/2003 Wilson F16B 37/14
411/375
7,252,471 B1 * 8/2007 Manyoky F16B 37/00
411/427
D746,129 S * 12/2015 Kishida D8/399
2002/0146301 A1 * 10/2002 Wilson F16B 37/14
411/429
2003/0068212 A1 * 4/2003 Wilson F16B 37/14
411/429
2004/0126202 A1 * 7/2004 Somers F16B 37/14
411/429
2005/0008451 A1 * 1/2005 Groppo B60C 27/02
411/431
2005/0008457 A1 * 1/2005 Winker B21K 1/70
411/533

(Continued)

Primary Examiner — Sandra Snapp
Assistant Examiner — Ieisha Price
(74) *Attorney, Agent, or Firm* — QuickPatents, LLC;
Kevin Prince

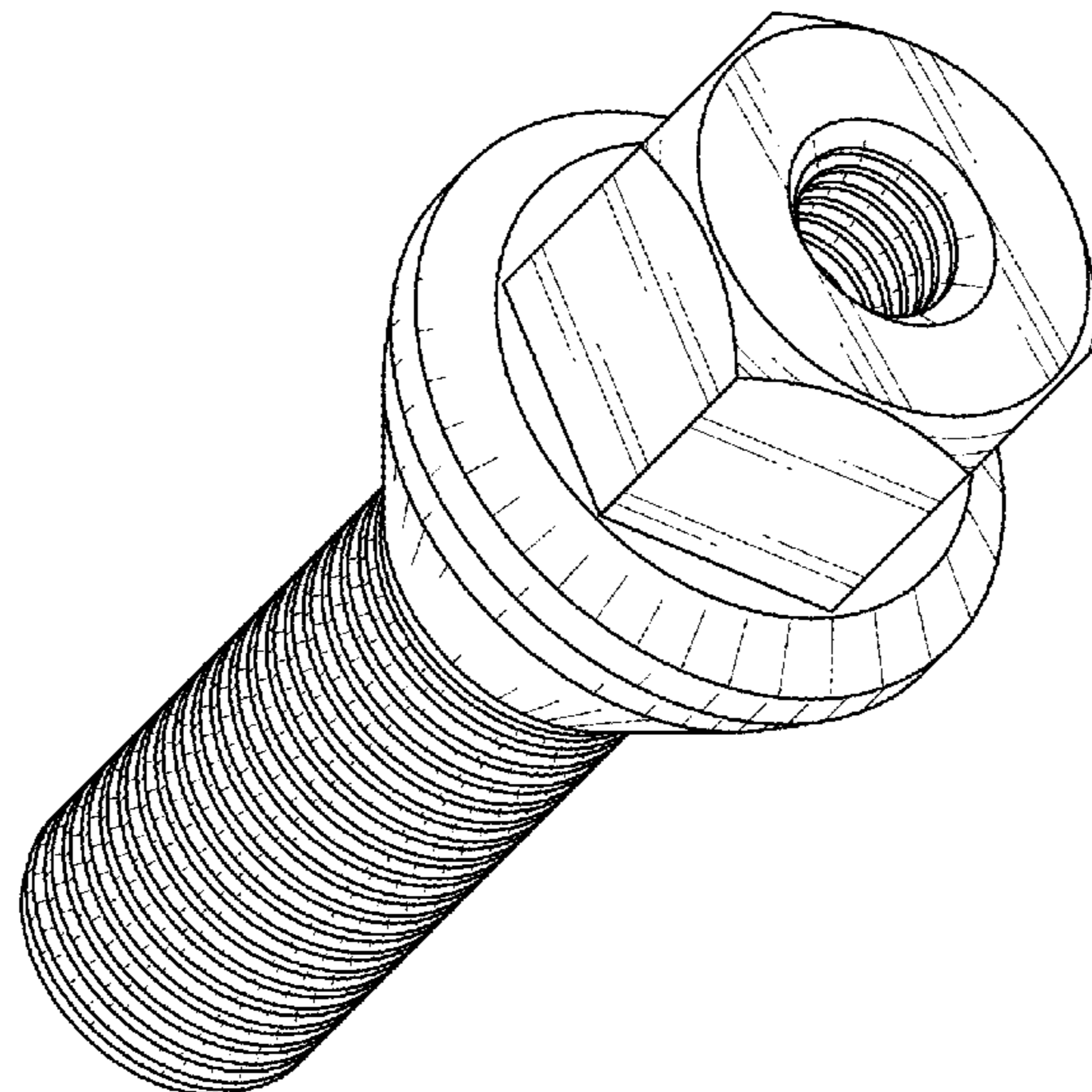
(57) **CLAIM**

The ornamental design for a lug nut bolt, as shown and described.

DESCRIPTION

FIG. 1 illustrates a front view of the lug nut bolt showing our new design with the rear, elevation views being a mirror image thereof;
FIG. 2 is a section cut view, taken along line 2-2 of FIG. 1;
FIG. 3 is a top, side perspective view thereof;
FIG. 4 is a second top, side perspective view showing the opposite side of FIG. 3;
FIG. 5 is a bottom, side perspective view thereof; and,
FIG. 6 is a second bottom, side perspective view showing the opposite side of FIG. 5.

1 Claim, 3 Drawing Sheets



(56)

References Cited

U.S. PATENT DOCUMENTS

2008/0044254 A1* 2/2008 Wilson F16B 23/0007
411/429
2008/0193259 A1* 8/2008 Hill F16B 37/00
411/533
2011/0116891 A1* 5/2011 Notaro F16B 41/005
411/372.5
2013/0149071 A1* 6/2013 Davis F16B 23/00
411/402
2014/0147226 A1* 5/2014 Andrade de
Souza F16B 31/021
411/3
2014/0363255 A1* 12/2014 Kishida B60B 27/065
411/372.6
2016/0238059 A1* 8/2016 Groppo F16B 37/14

* cited by examiner

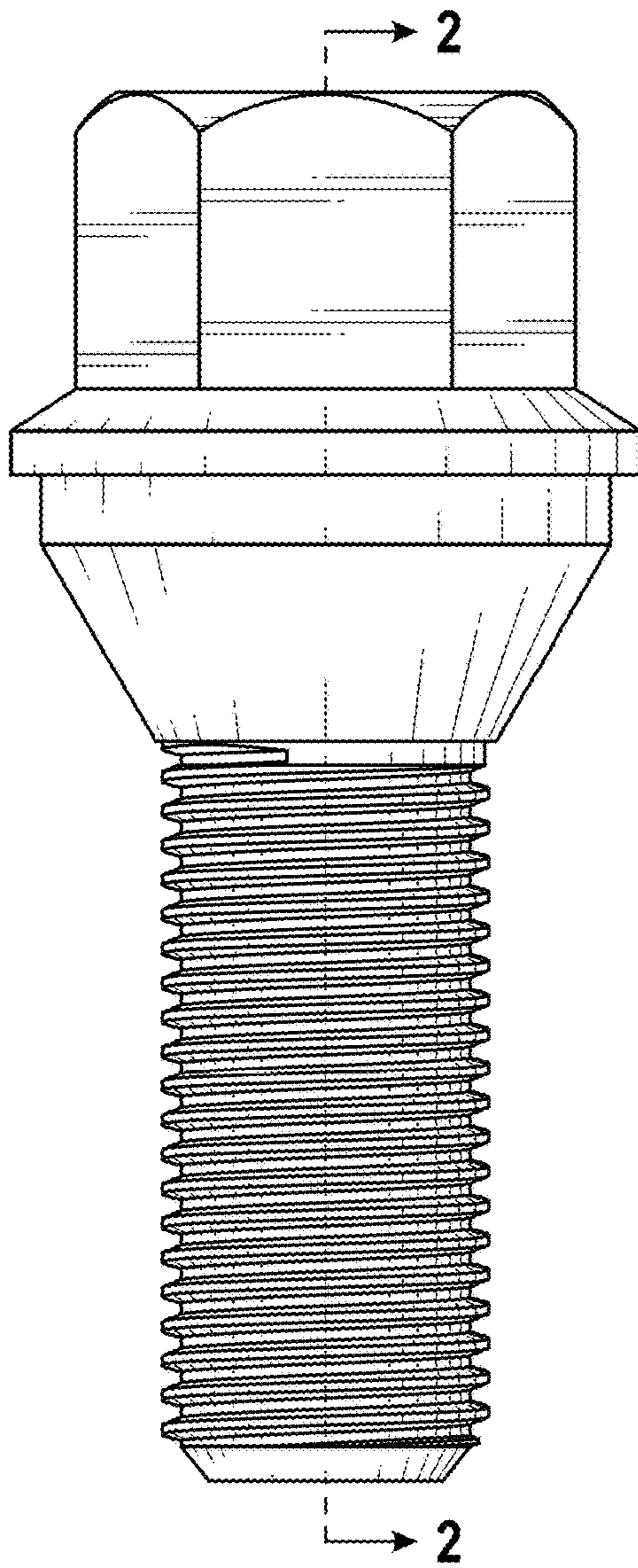


FIG. 1

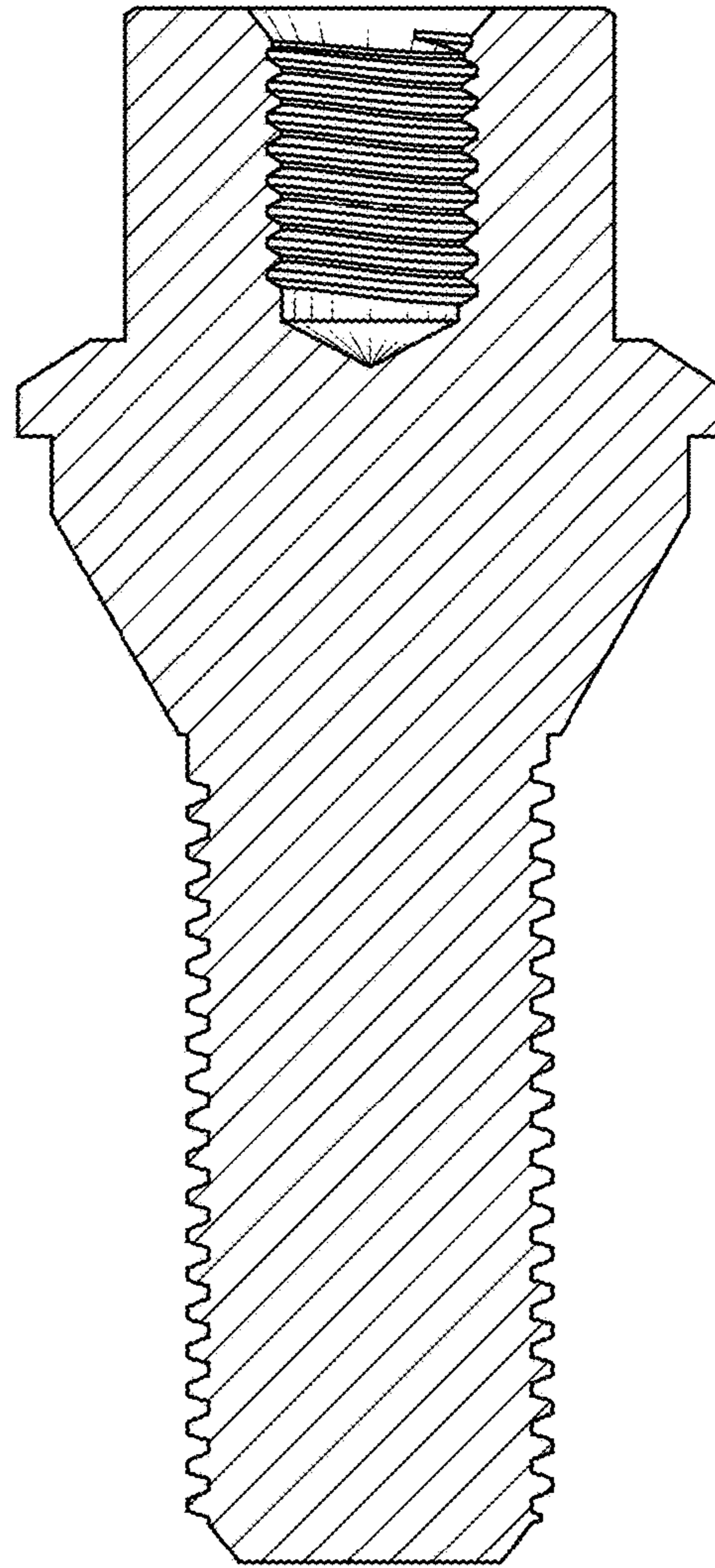


FIG. 2

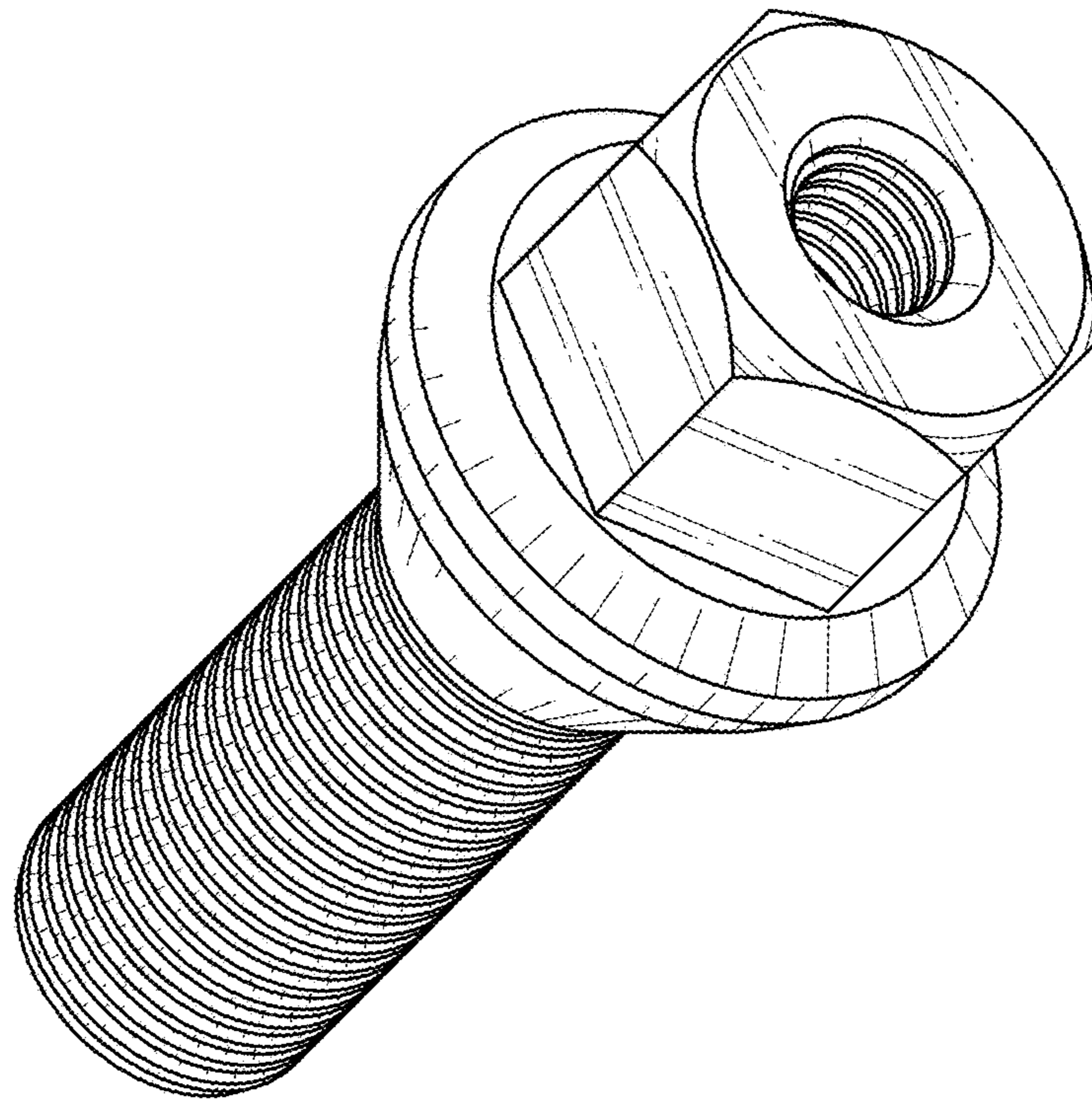


FIG. 3

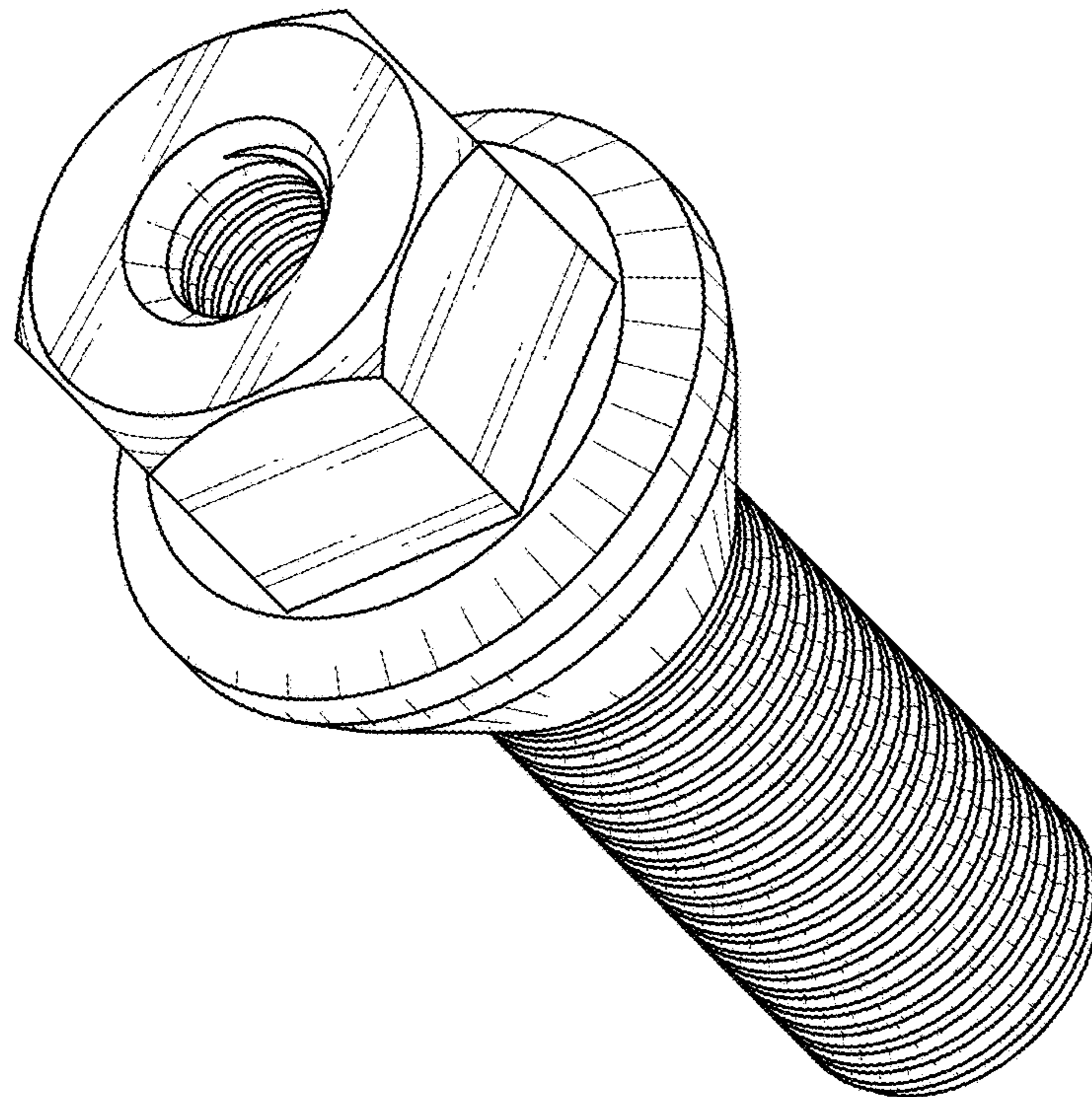


FIG. 4

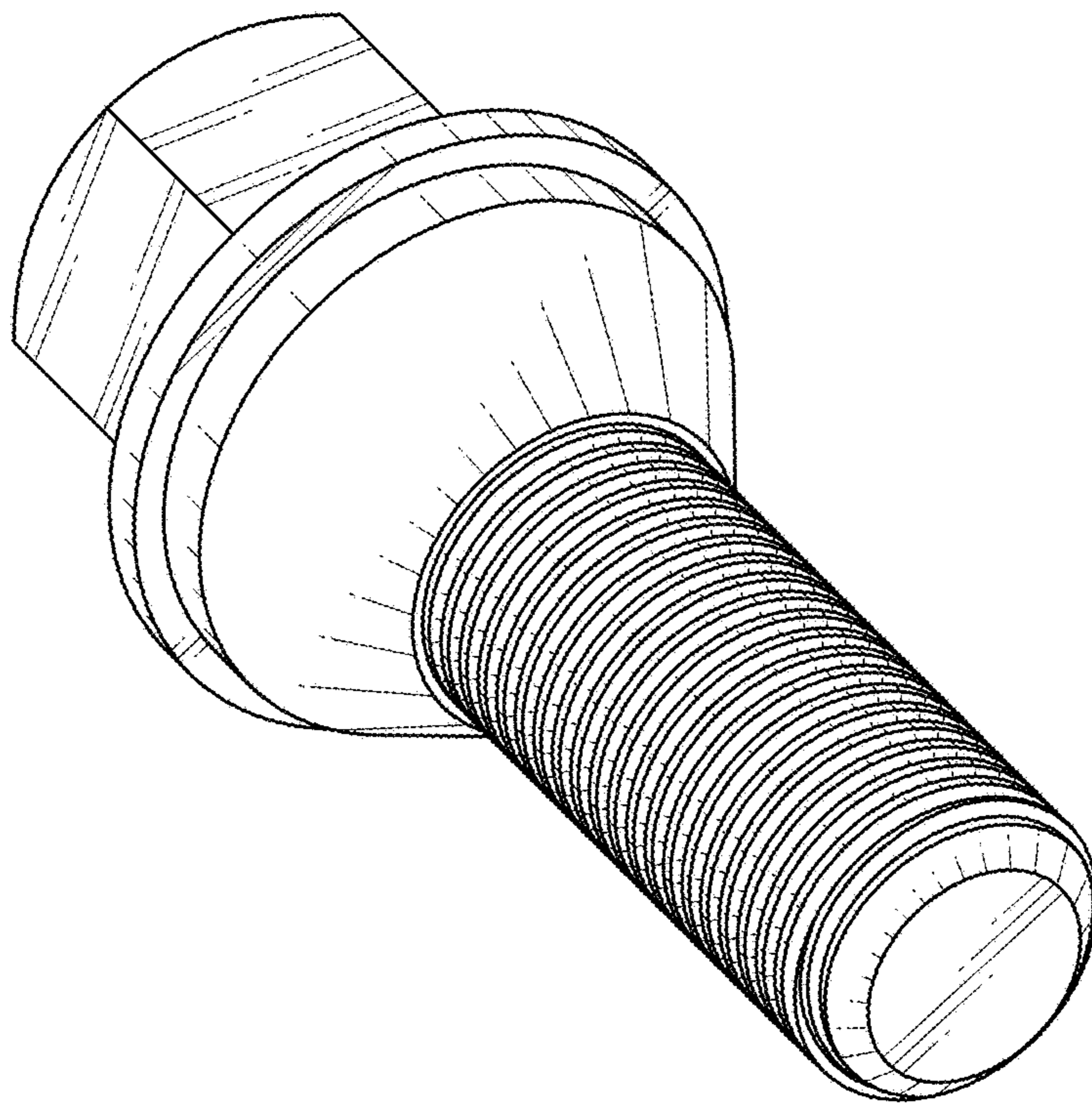


FIG. 5

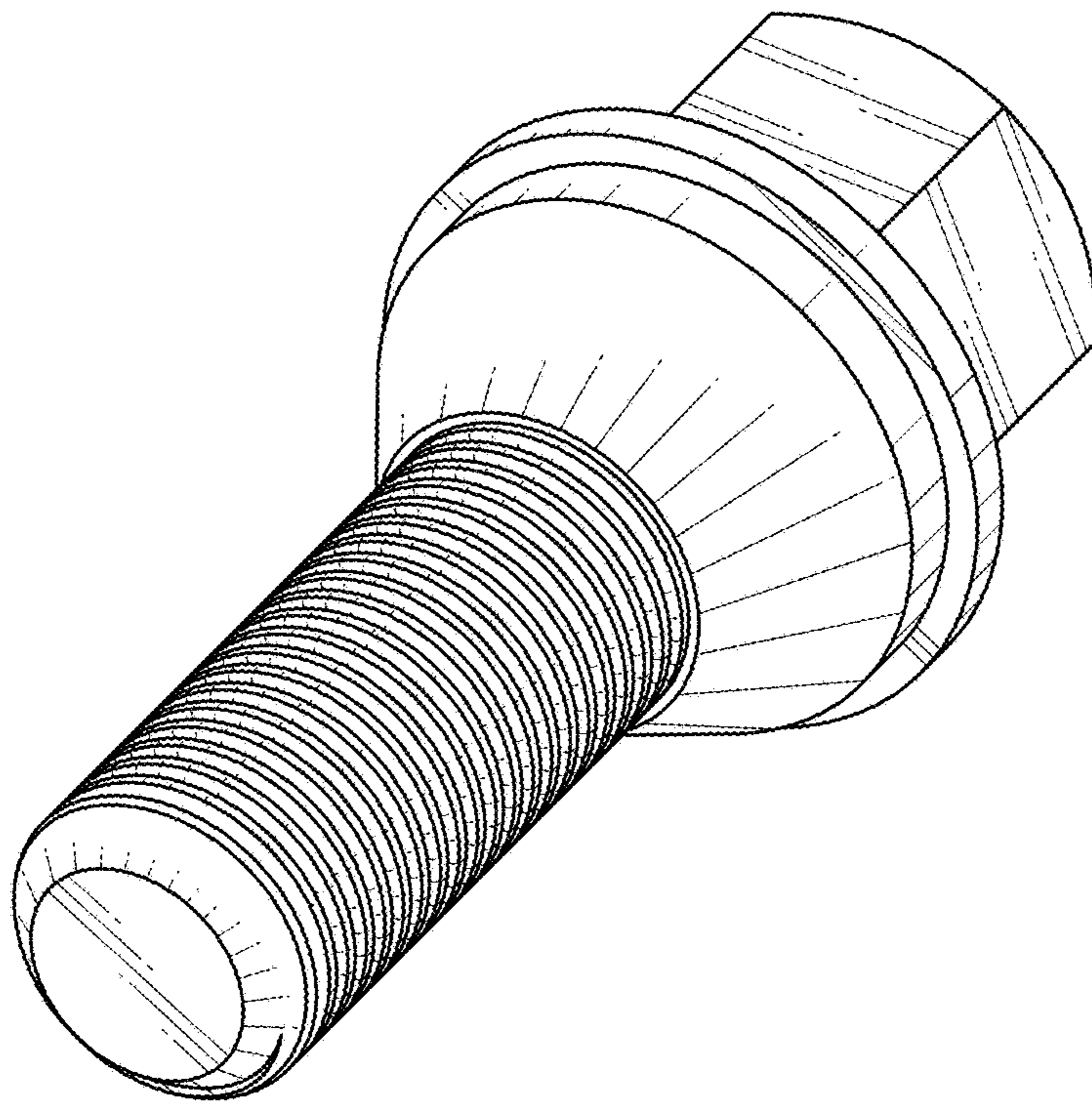


FIG. 6