



US00D787922S

(12) **United States Design Patent**
Ghiorghie

(10) **Patent No.:** **US D787,922 S**

(45) **Date of Patent:** **** May 30, 2017**

(54) **RACK**

(71) Applicant: **InterDesign, Inc.**, Solon, OH (US)

(72) Inventor: **Radu Alexandru Ghiorghie**, Copley, OH (US)

(73) Assignee: **InterDesign, Inc.**, Solon, OH (US)

(**) Term: **14 Years**

(21) Appl. No.: **29/492,902**

(22) Filed: **Jun. 4, 2014**

Related U.S. Application Data

(63) Continuation of application No. 29/416,358, filed on Mar. 21, 2012, now Pat. No. Des. 709,289.

(51) **LOC (10) Cl.** **08-05**

(52) **U.S. Cl.**
USPC **D8/372**

(58) **Field of Classification Search**
USPC D8/372, 367
CPC .. A47F 5/00; A47H 1/10; A47G 29/00; A47G 29/08; A47B 97/00

See application file for complete search history.

Primary Examiner — Holly Baynham

(74) *Attorney, Agent, or Firm* — Calfee, Halter & Griswold, LLP

(57) **CLAIM**

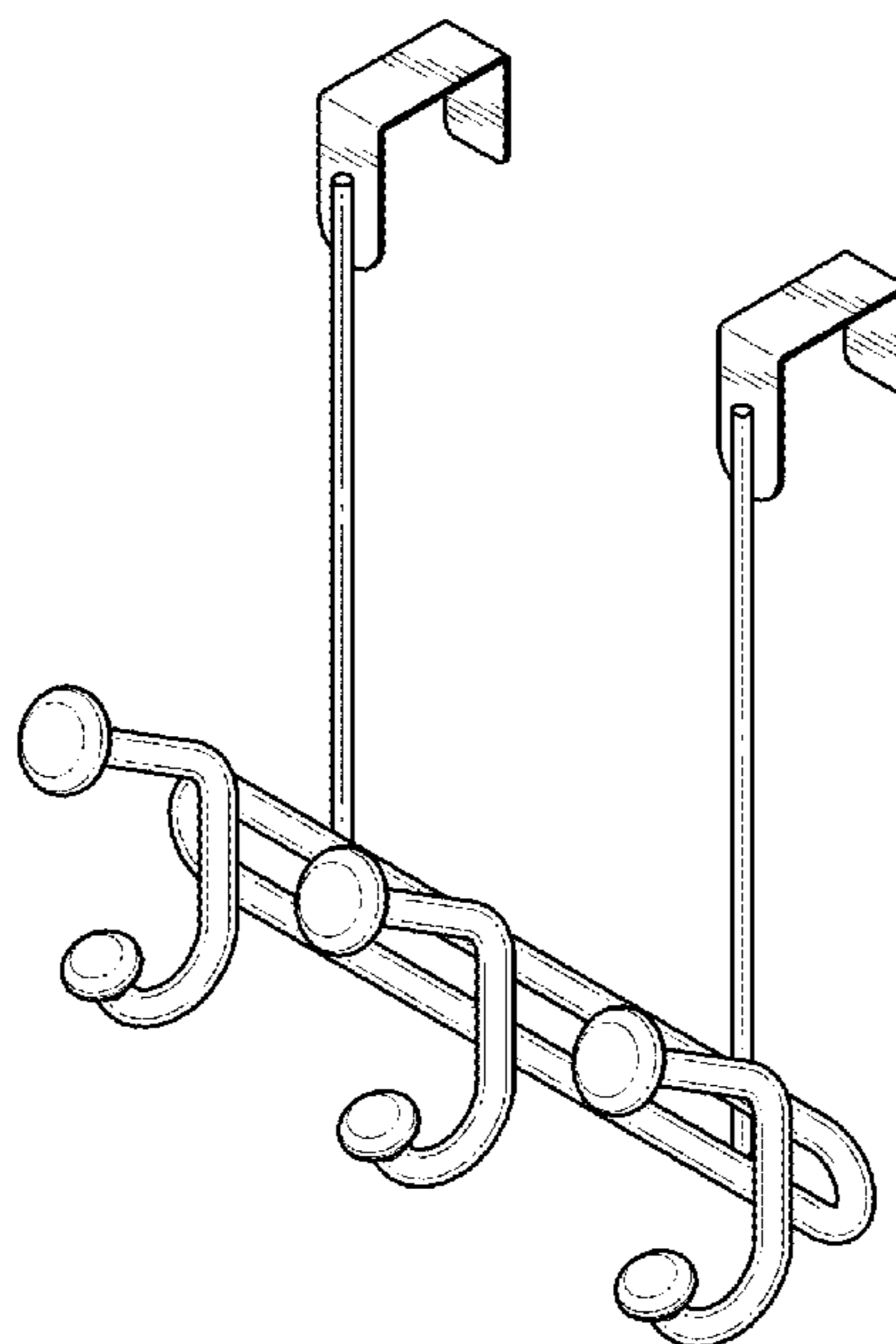
I claim the ornamental design for a rack, as shown and described.

DESCRIPTION

FIG. 1 is a front/left/top perspective view of a first embodiment of a rack;

FIG. 2 is a rear/right/bottom perspective view thereof;
FIG. 3 is a front elevational view thereof;
FIG. 4 is a rear elevational view thereof;
FIG. 5 is a right side elevational view thereof (a left side elevational view would be a mirror image thereof);
FIG. 6 is a top plan view thereof; and
FIG. 7 is a bottom plan view thereof.
FIG. 8 is a front/left/top perspective view of a second embodiment of a rack;
FIG. 9 is a rear/right/bottom perspective view thereof;
FIG. 10 is a front elevational view thereof;
FIG. 11 is a rear elevational view thereof;
FIG. 12 is a right side elevational view thereof (a left side elevational view would be a mirror image thereof);
FIG. 13 is a top plan view thereof; and
FIG. 14 is a bottom plan view thereof.
FIG. 15 is a front/left/top perspective view of a third embodiment of a rack;
FIG. 16 is a rear/right/bottom perspective view thereof;
FIG. 17 is a front elevational view thereof;
FIG. 18 is a rear elevational view thereof;
FIG. 19 is a right side elevational view thereof (a left side elevational view would be a mirror image thereof);
FIG. 20 is a top plan view thereof; and
FIG. 21 is a bottom plan view thereof.
FIG. 22 is a front/left/top perspective view of a first embodiment of a rack;
FIG. 23 is a rear/right/bottom perspective view thereof;
FIG. 24 is a front elevational view thereof;
FIG. 25 is a rear elevational view thereof;
FIG. 26 is a right side elevational view thereof (a left side elevational view would be a mirror image thereof);
FIG. 27 is a top plan view thereof; and
FIG. 28 is a bottom plan view thereof.

1 Claim, 18 Drawing Sheets



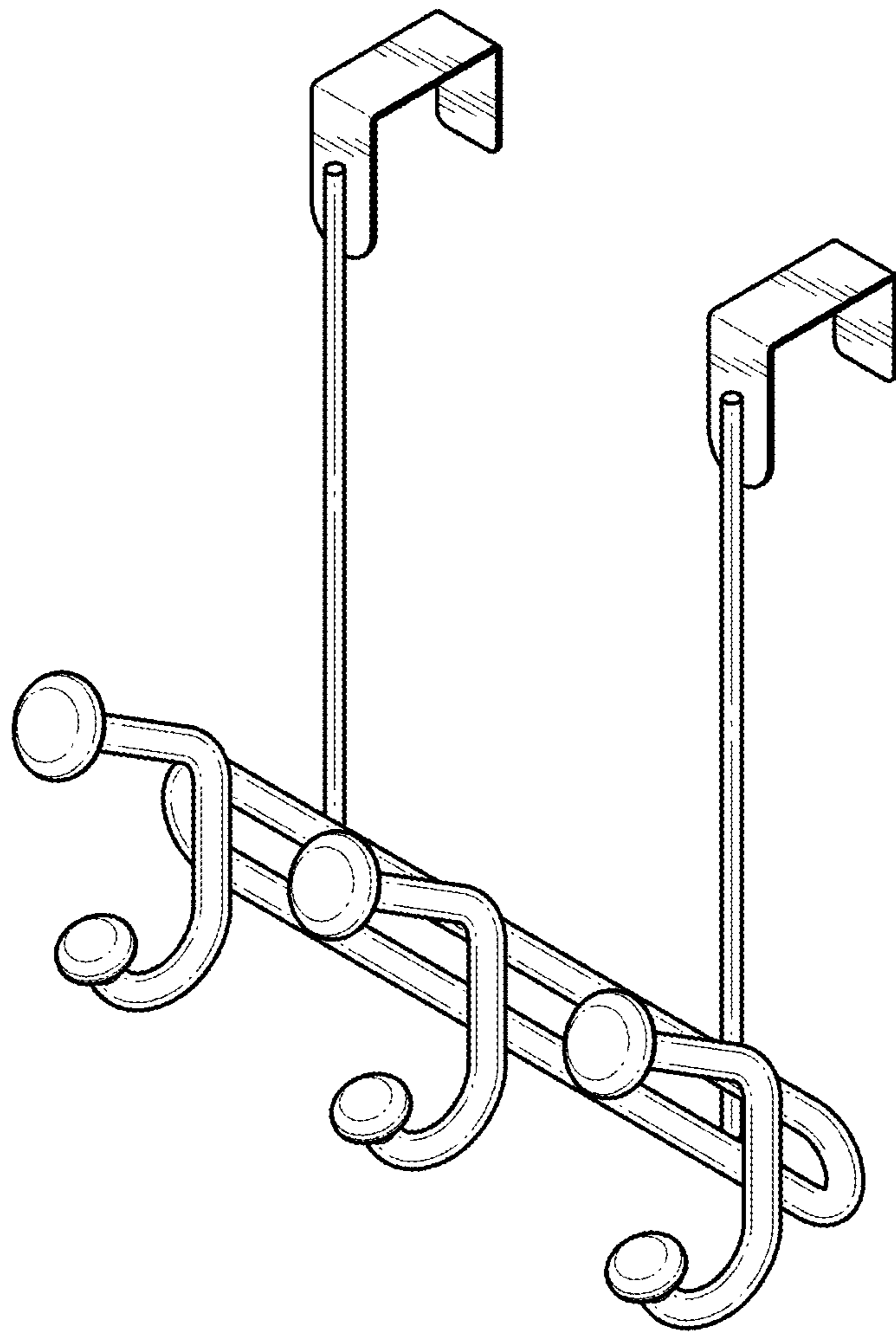


FIG. 1

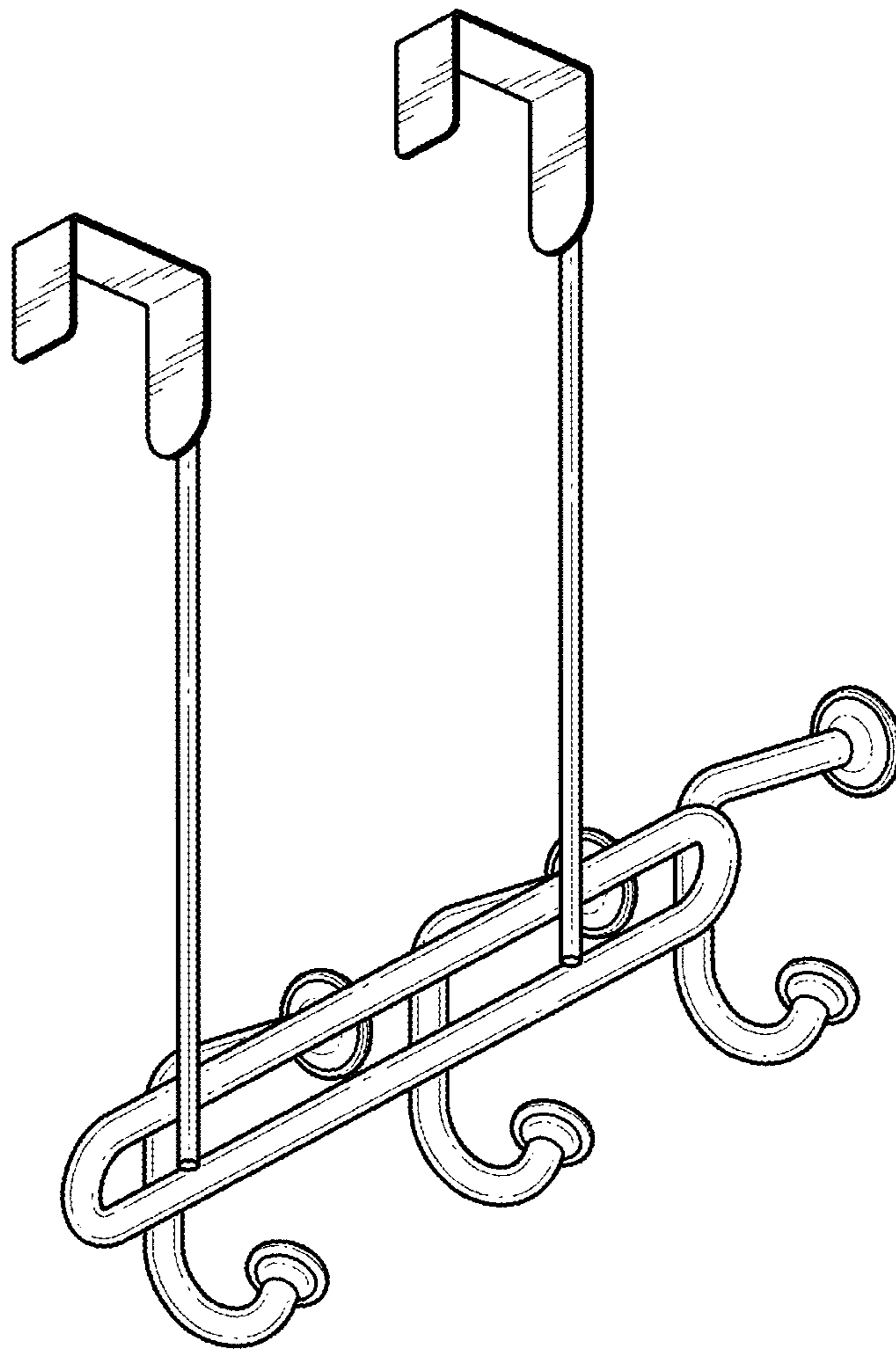


FIG. 2

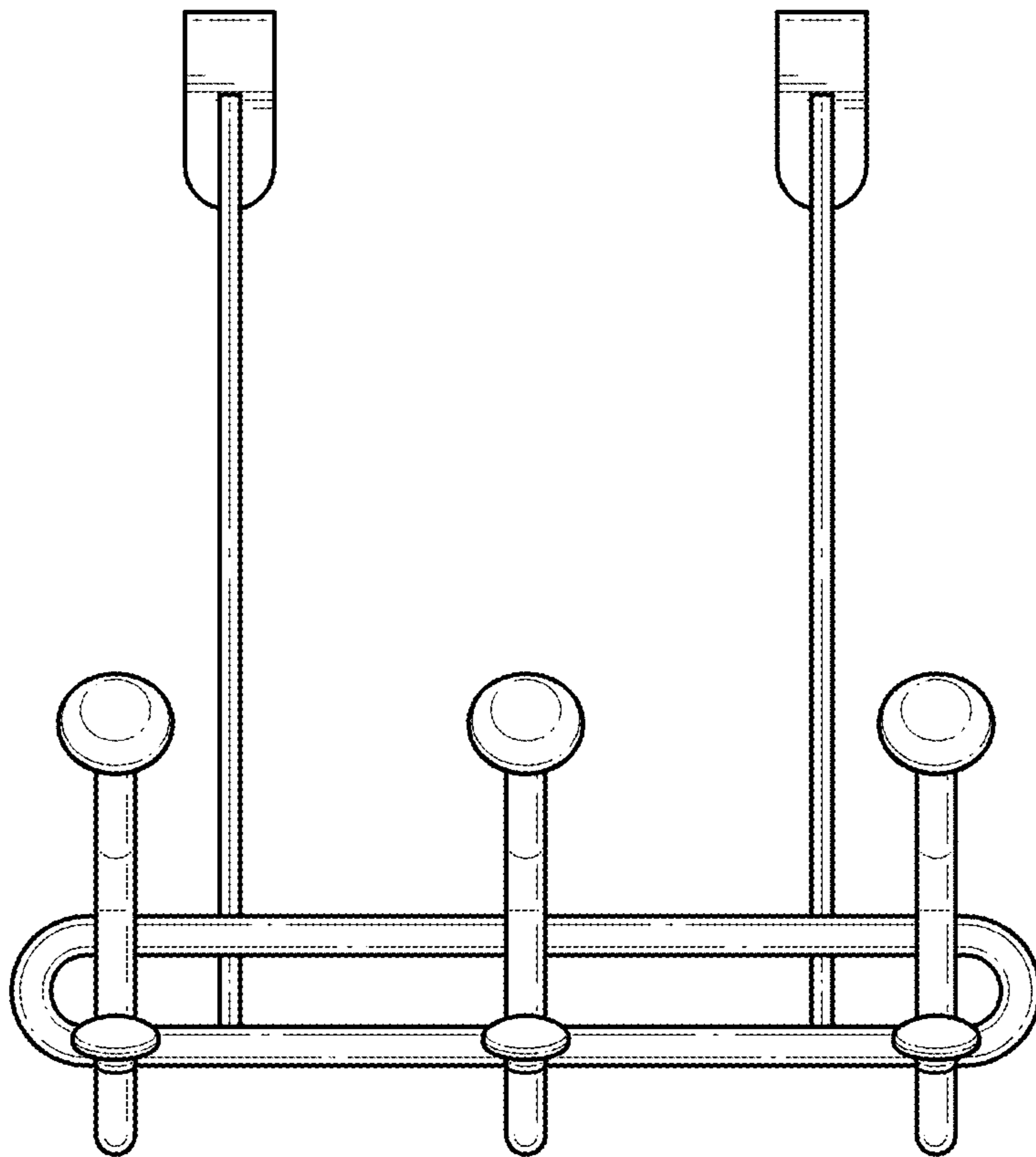


FIG. 3

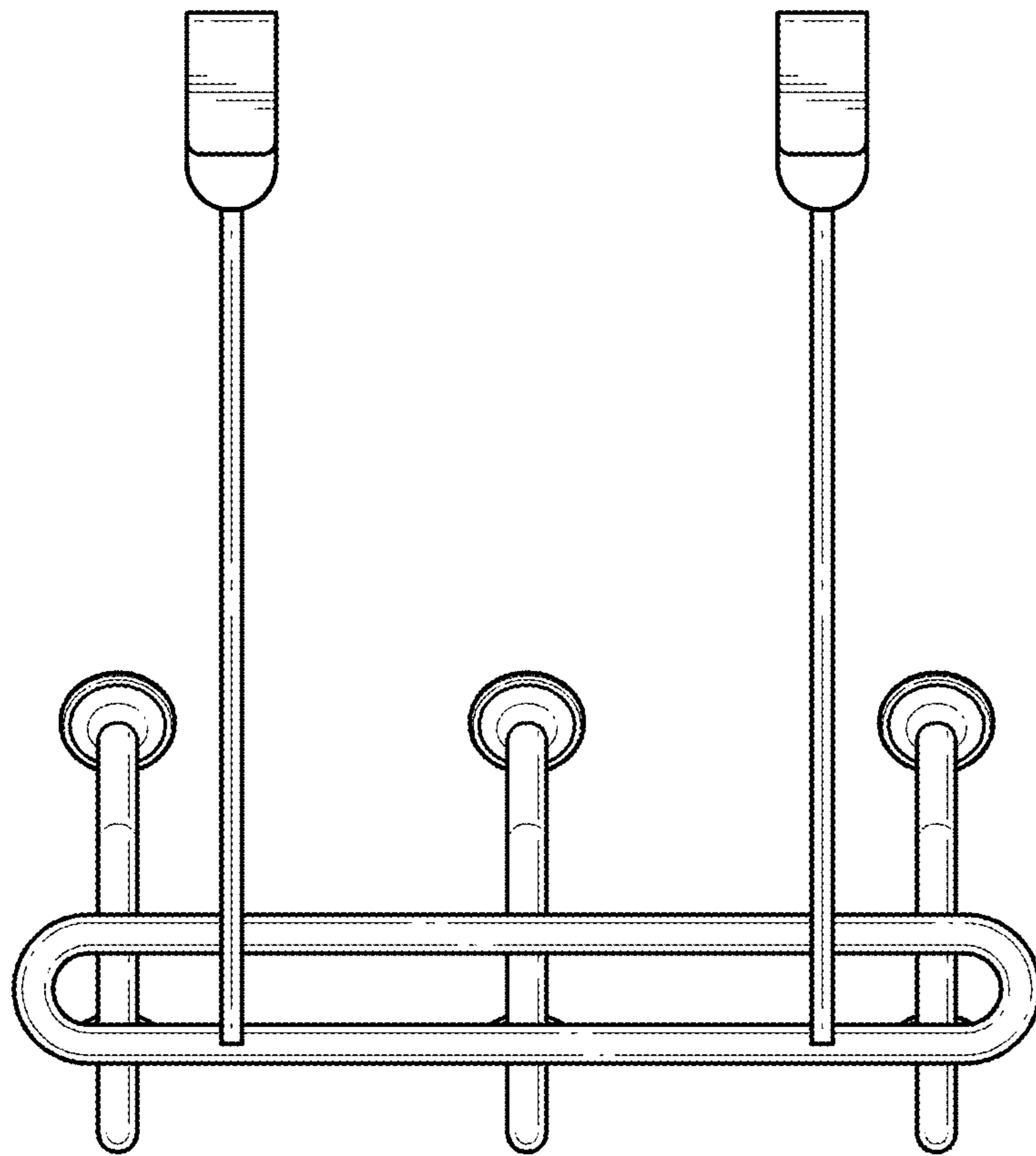


FIG. 4

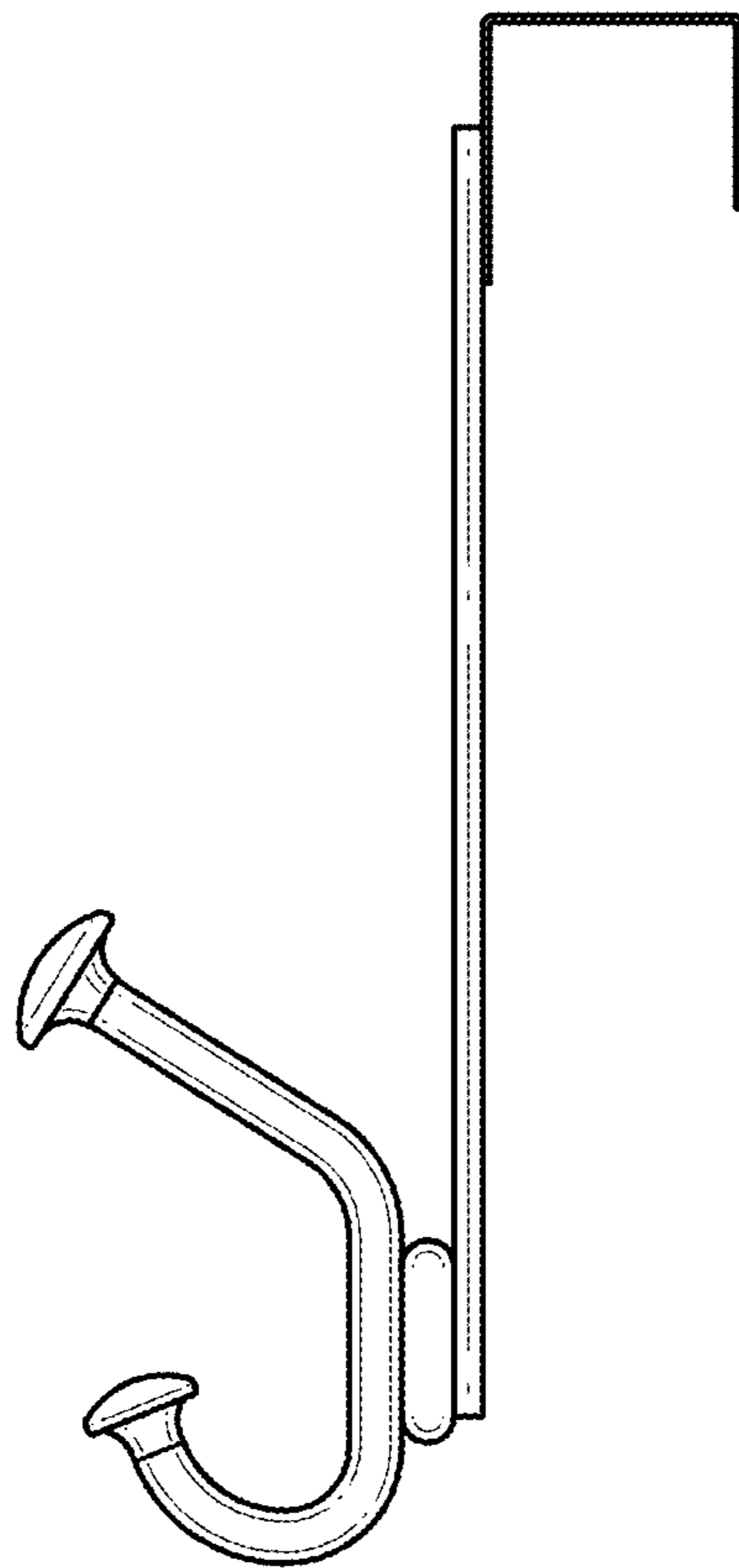


FIG. 5

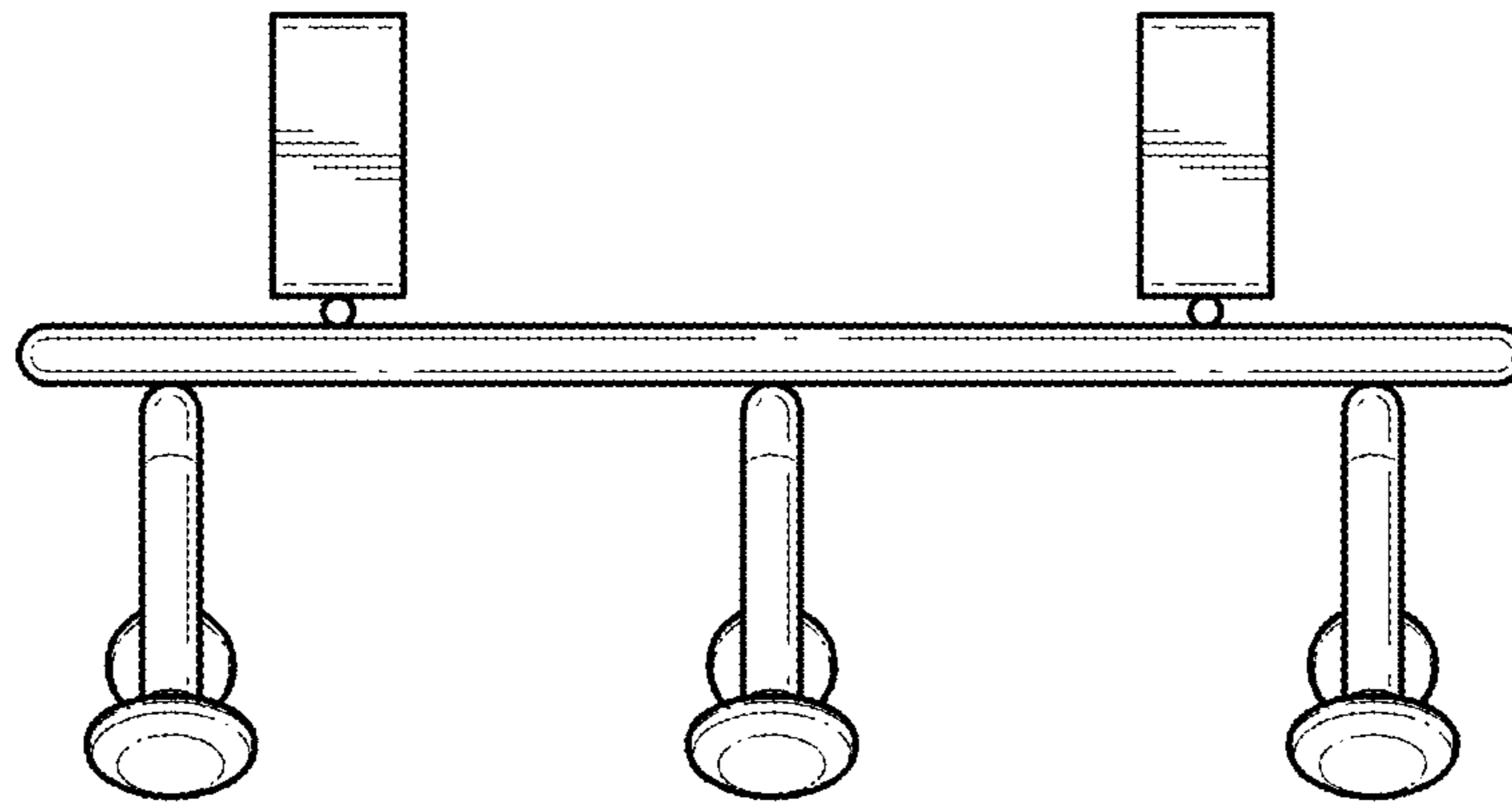


FIG. 6

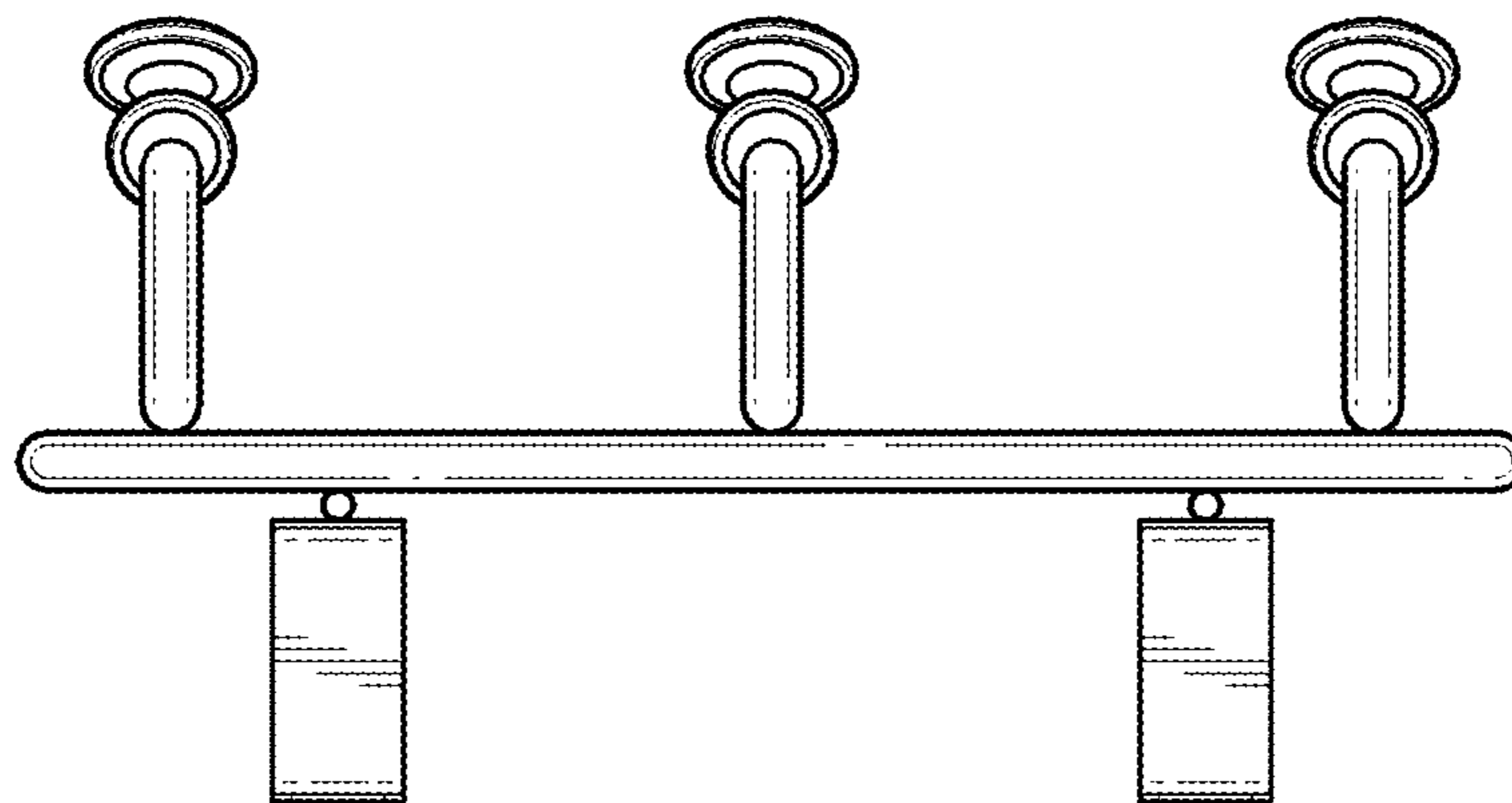


FIG. 7

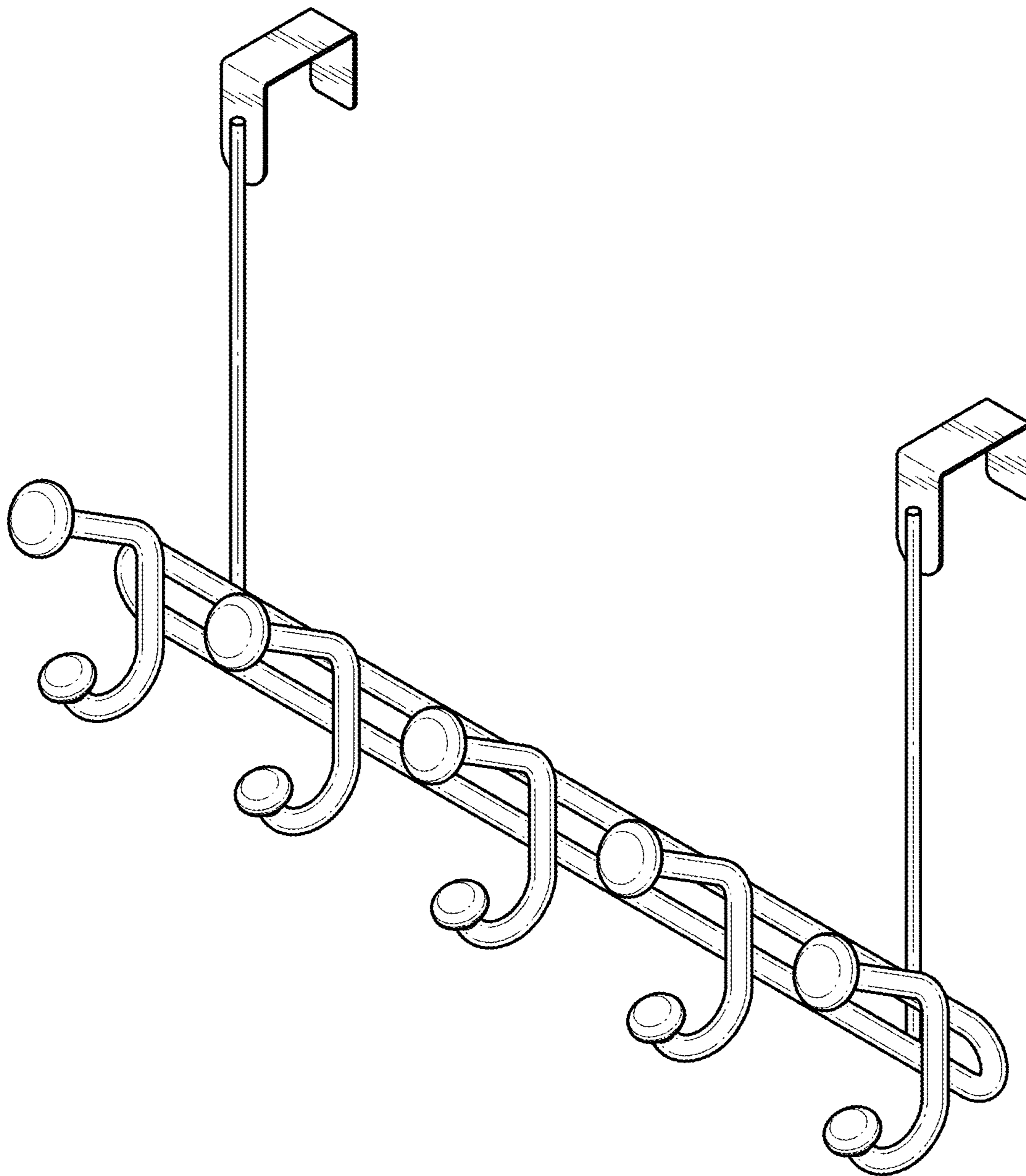


FIG. 8

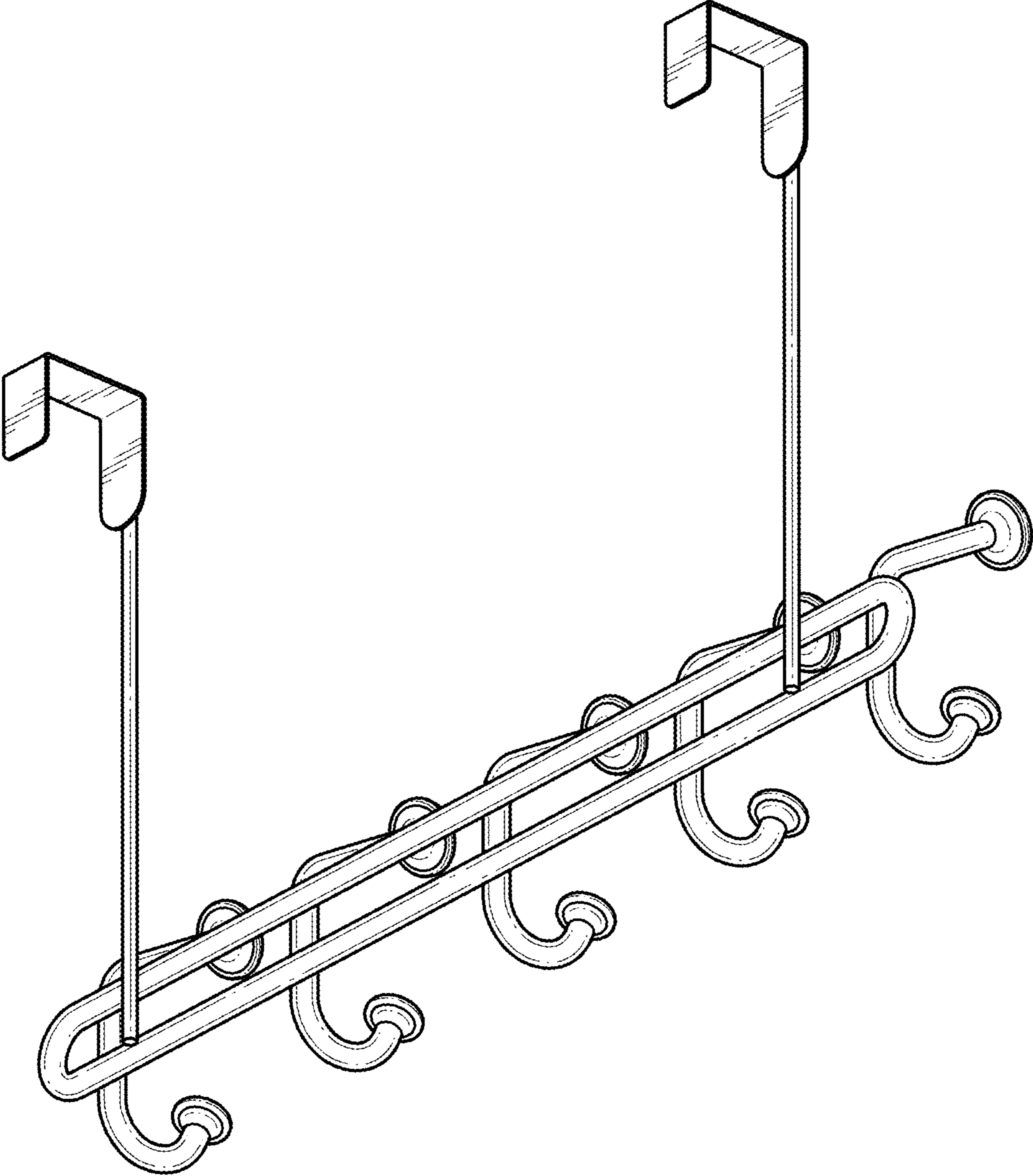


FIG. 9

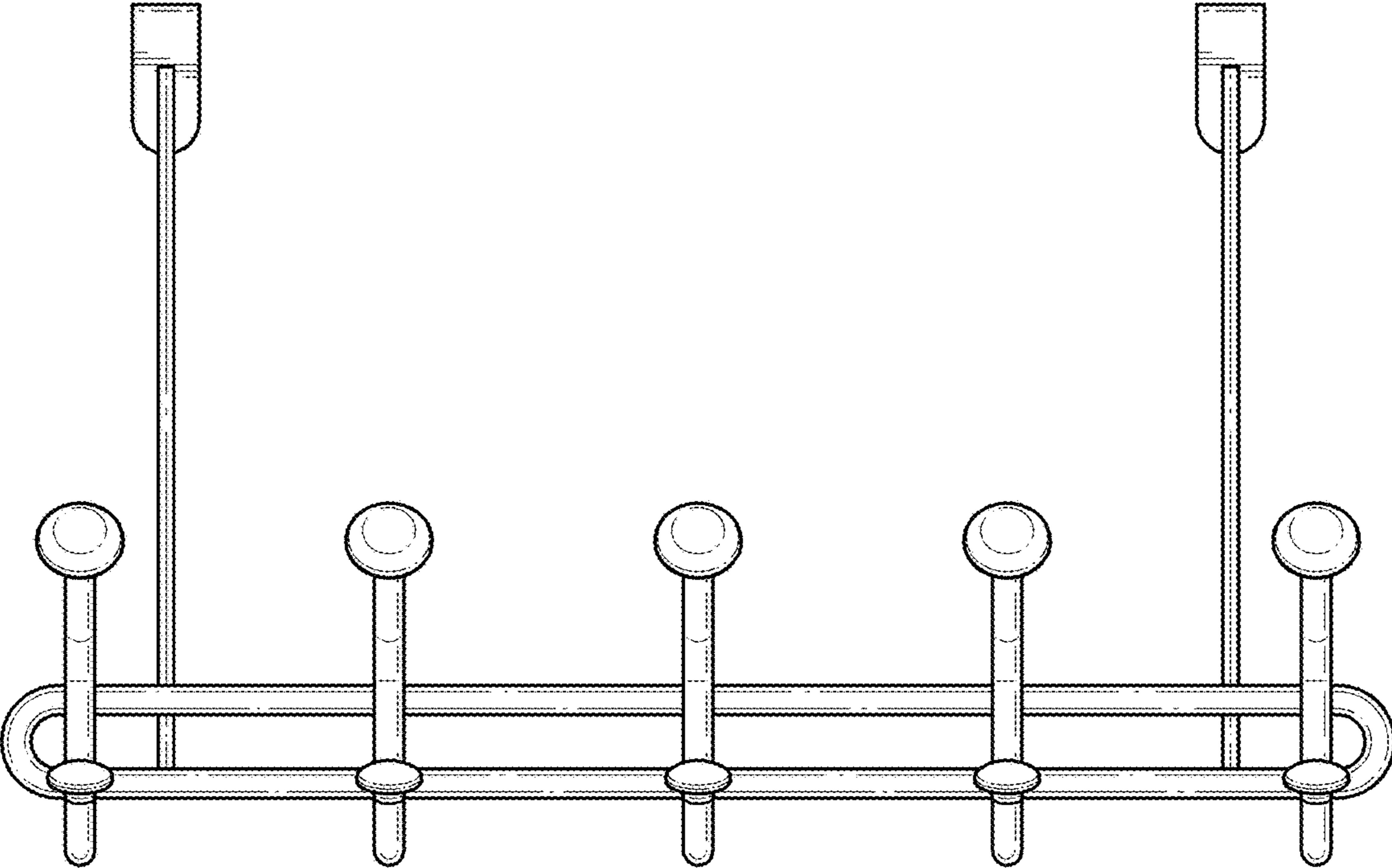


FIG. 10

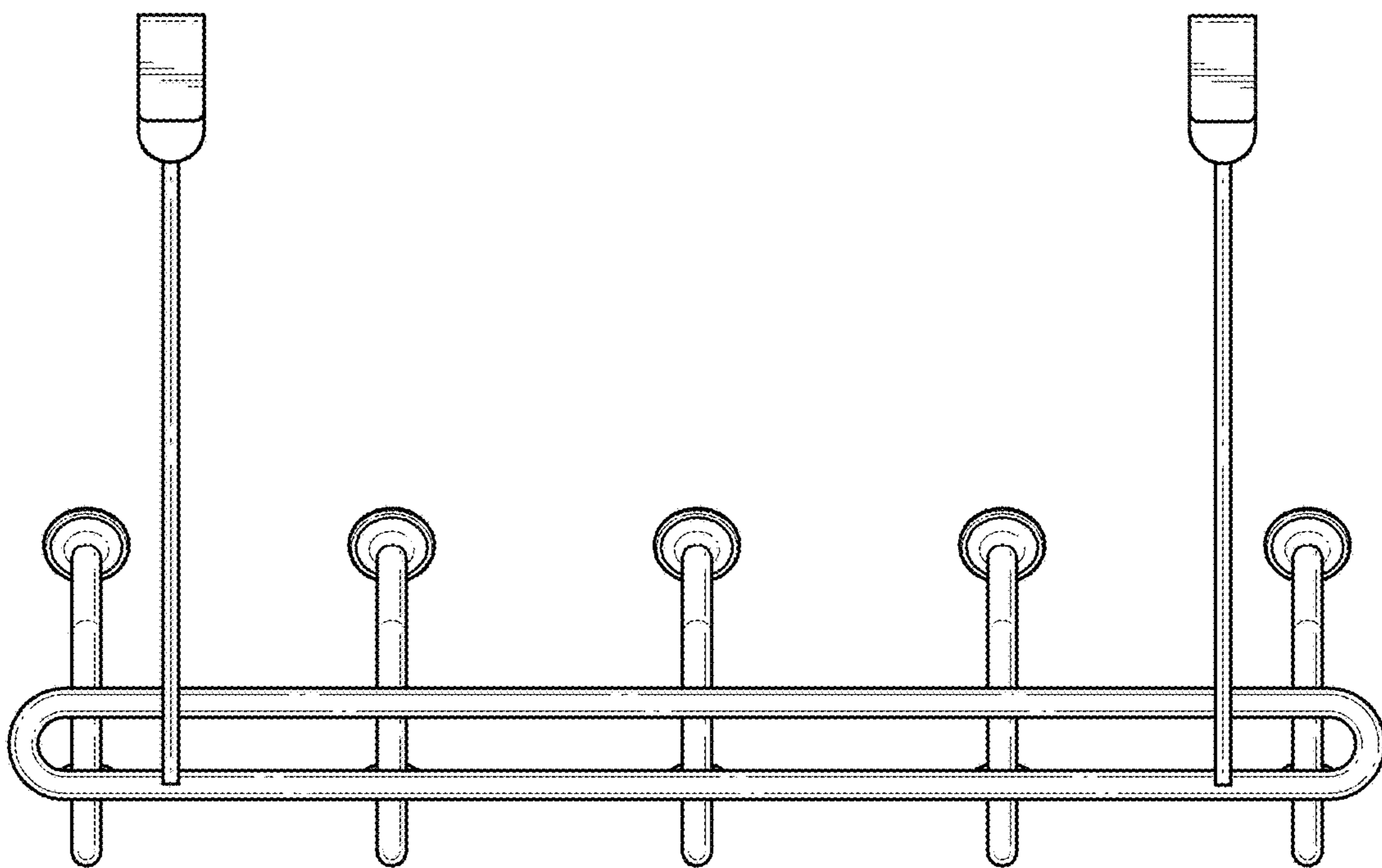


FIG. 11

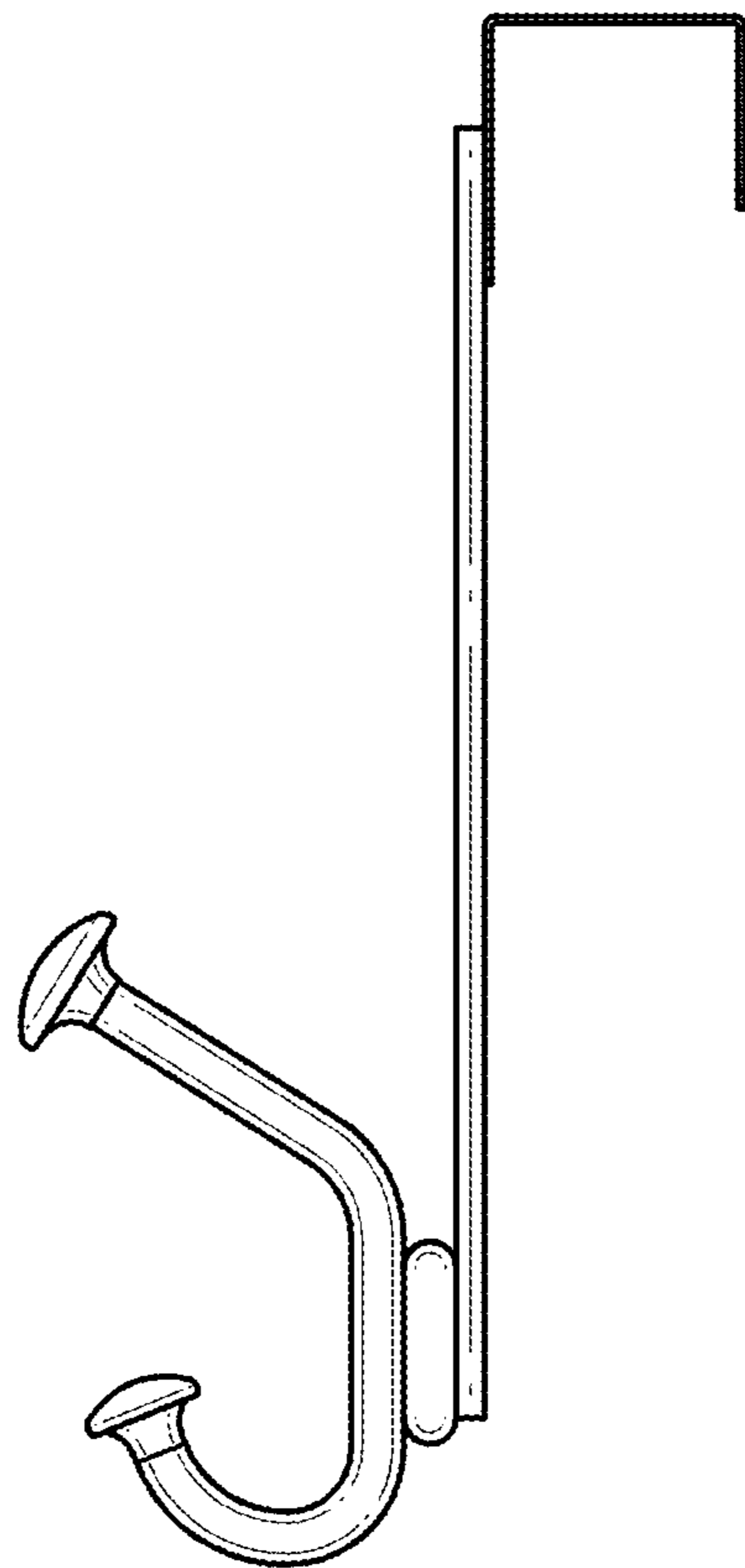


FIG. 12

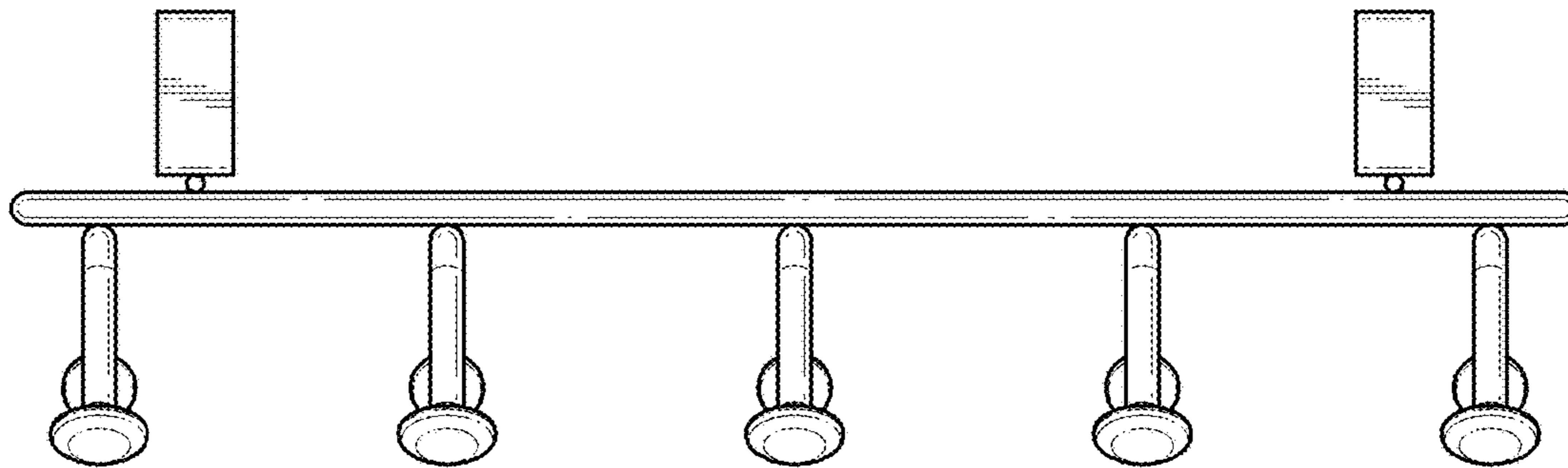


FIG. 13

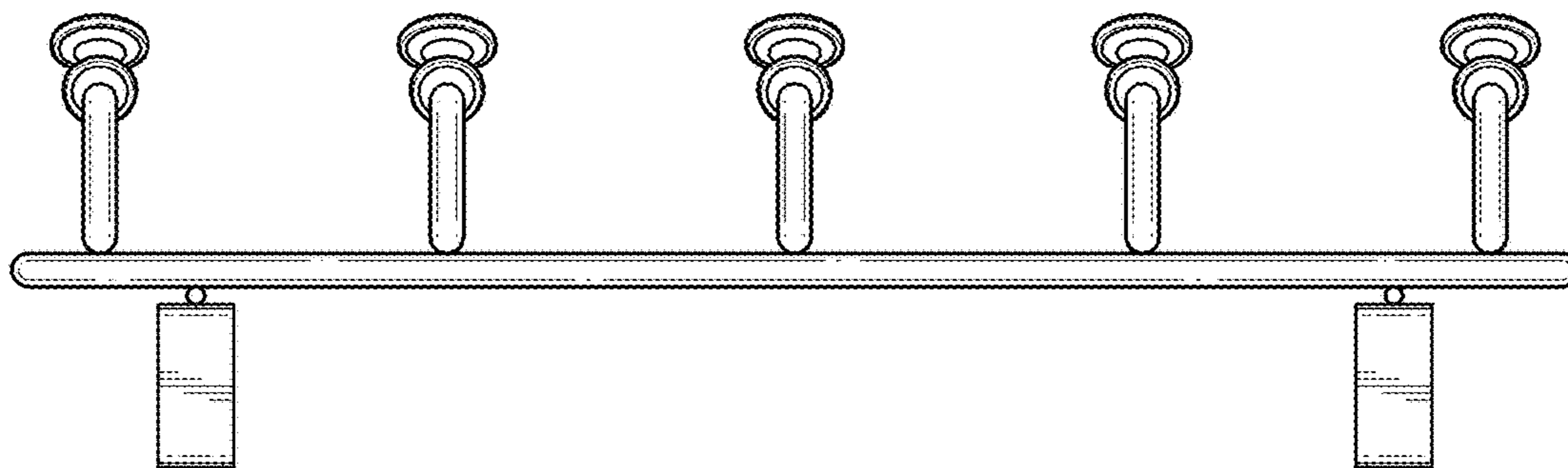


FIG. 14

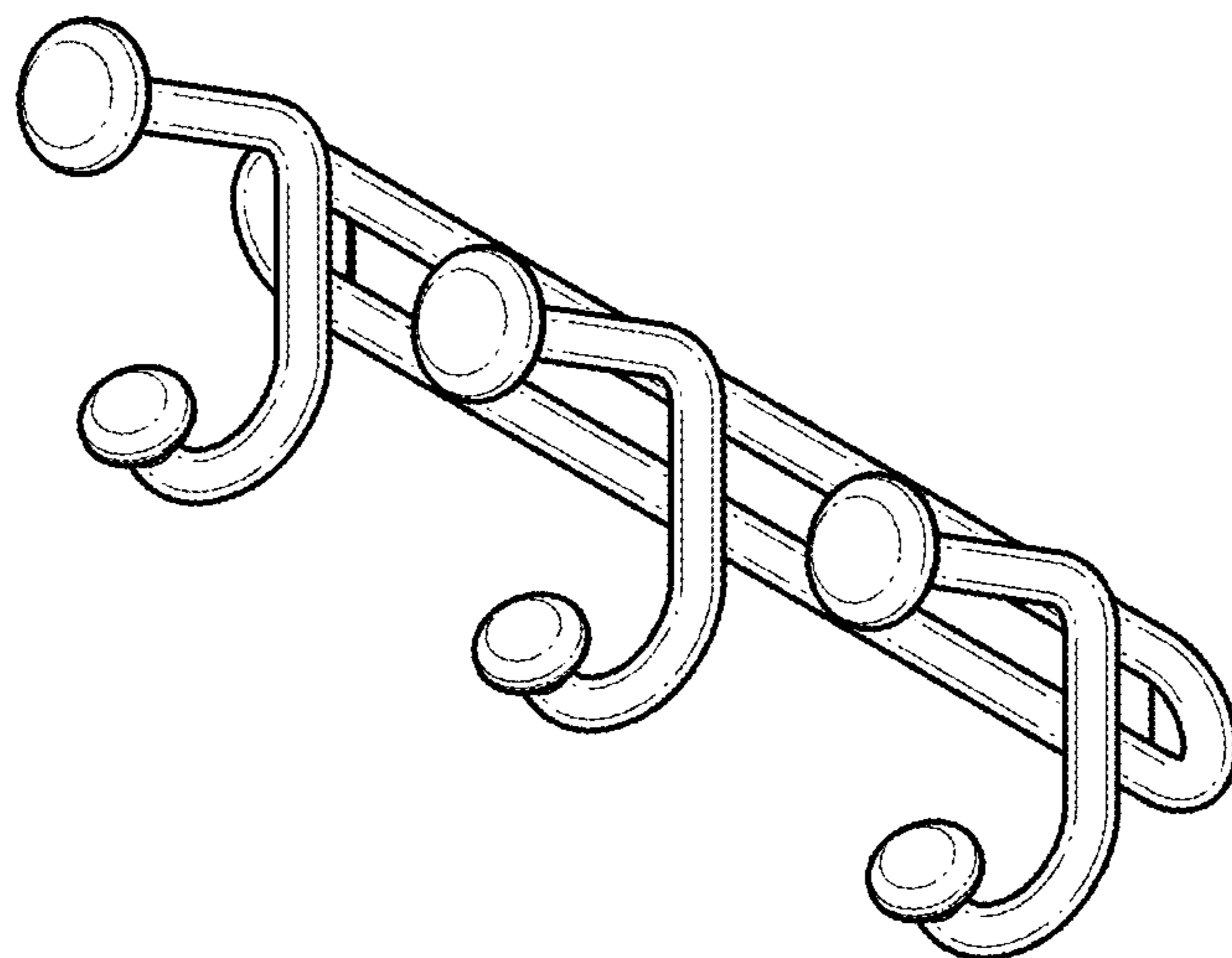


FIG. 15

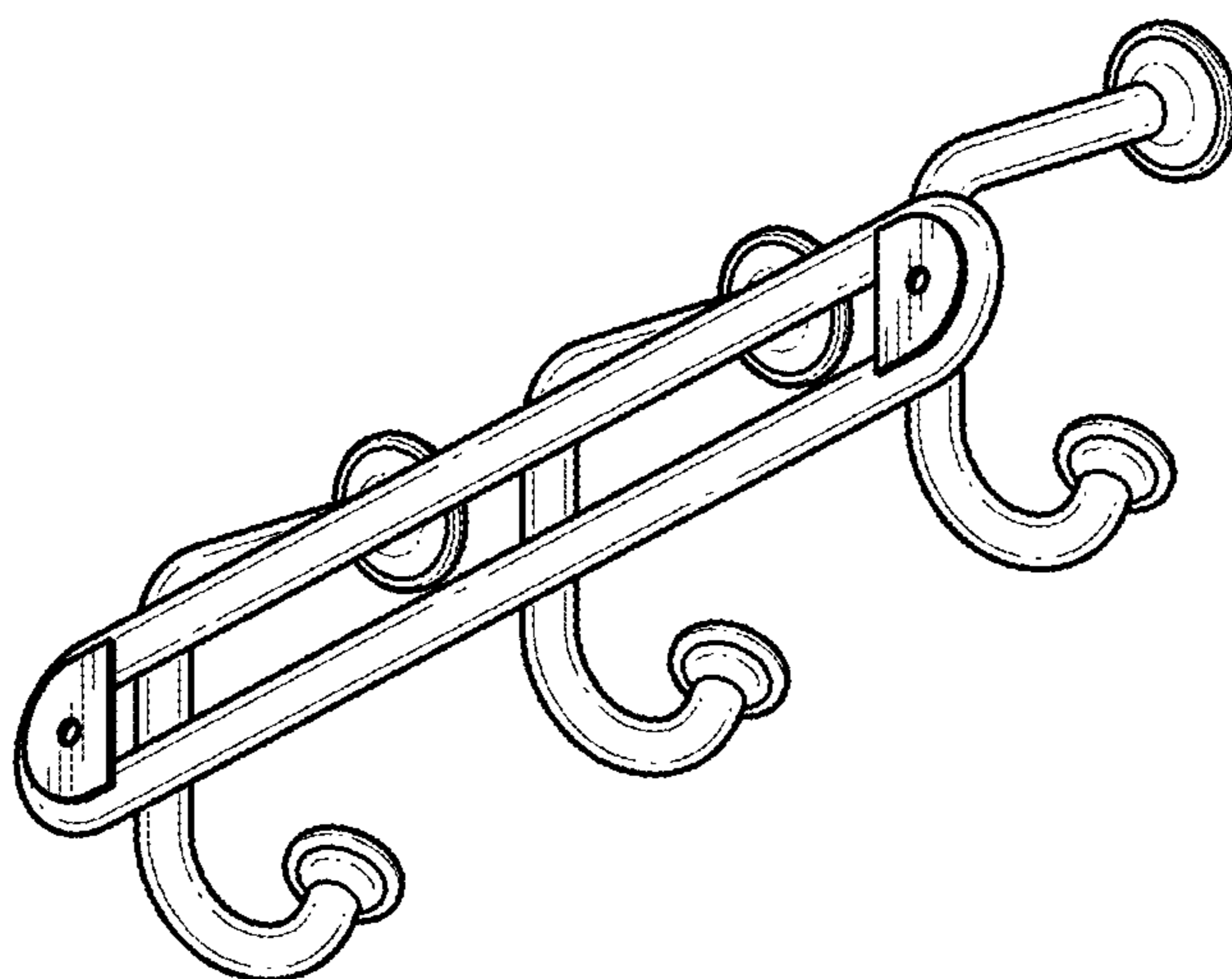


FIG. 16

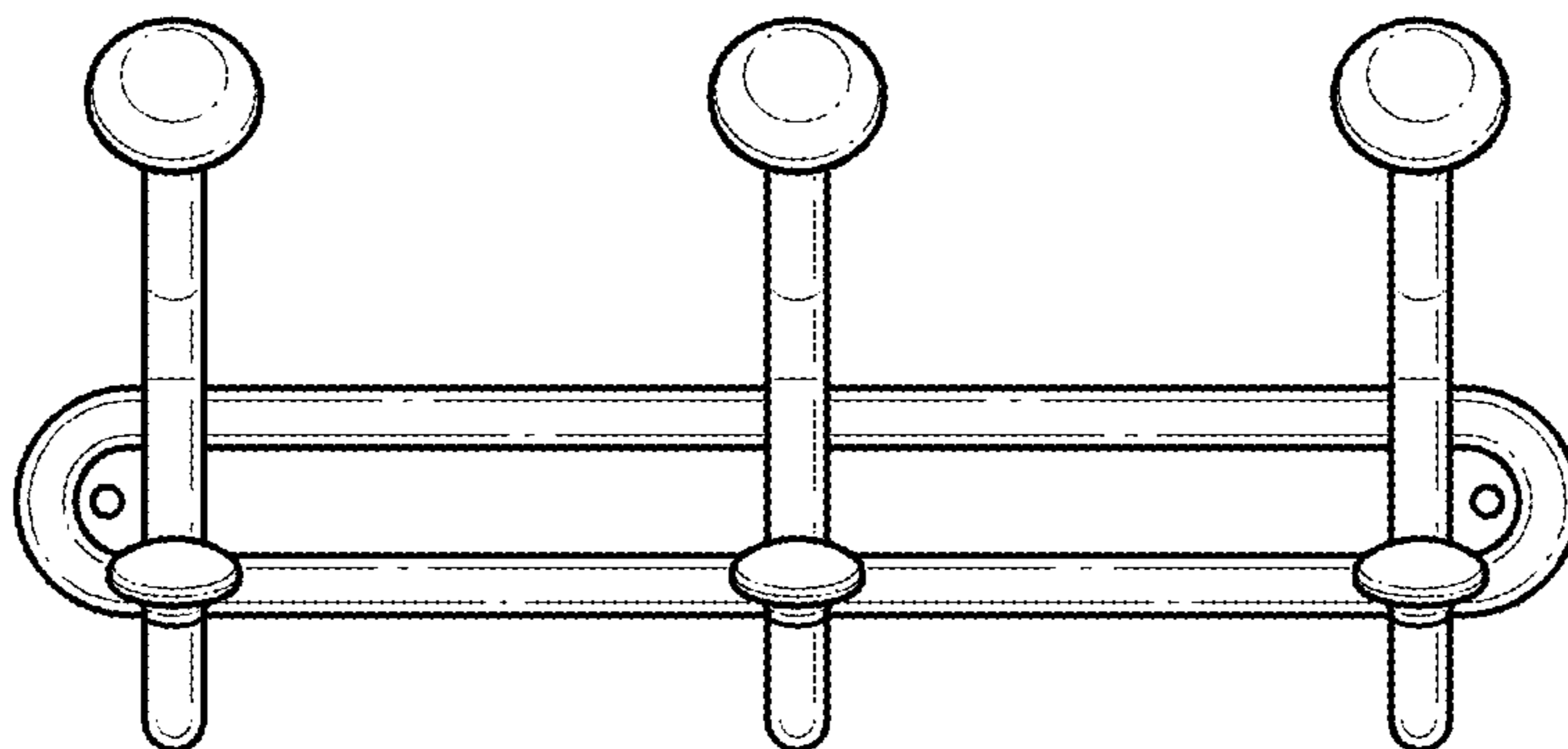


FIG. 17

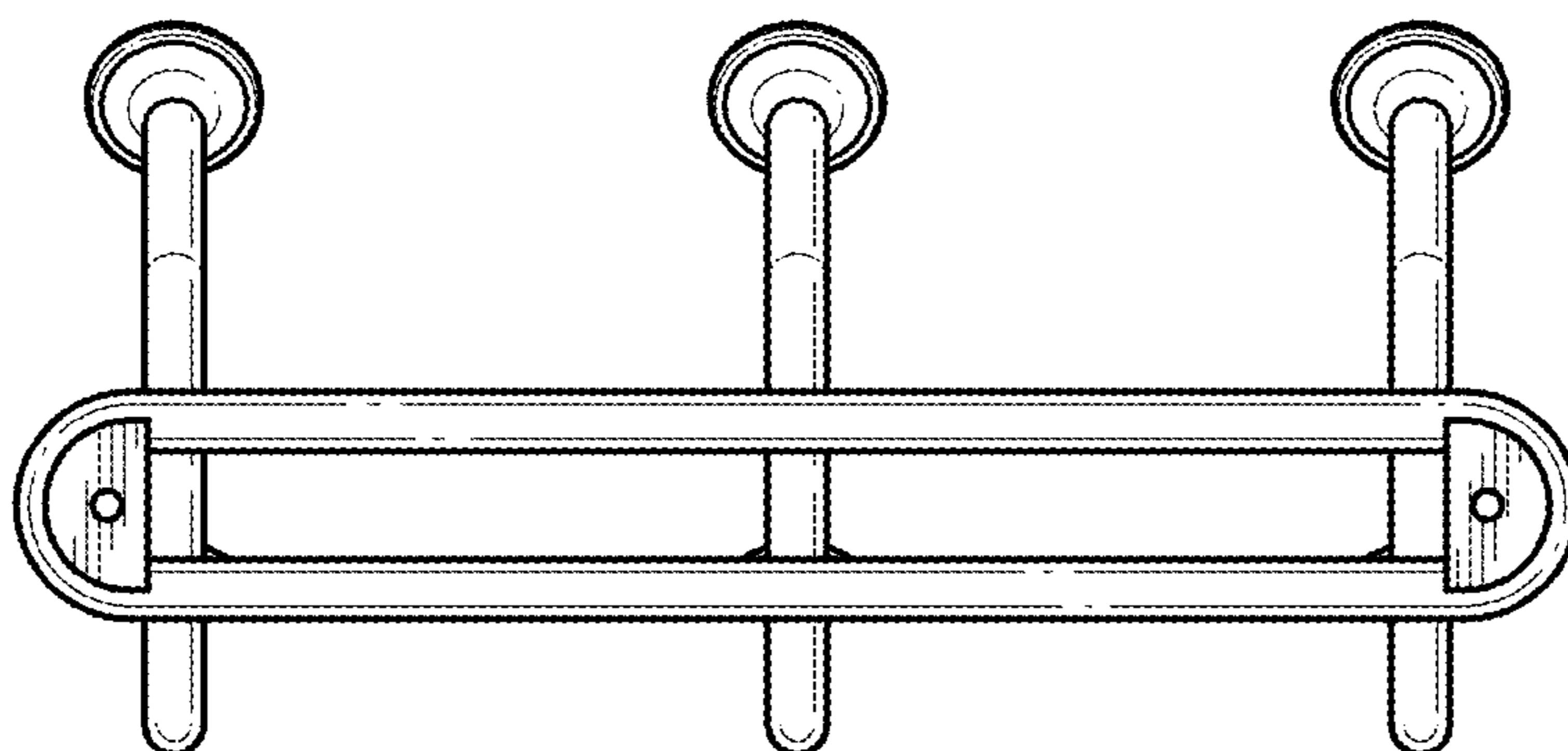


FIG. 18

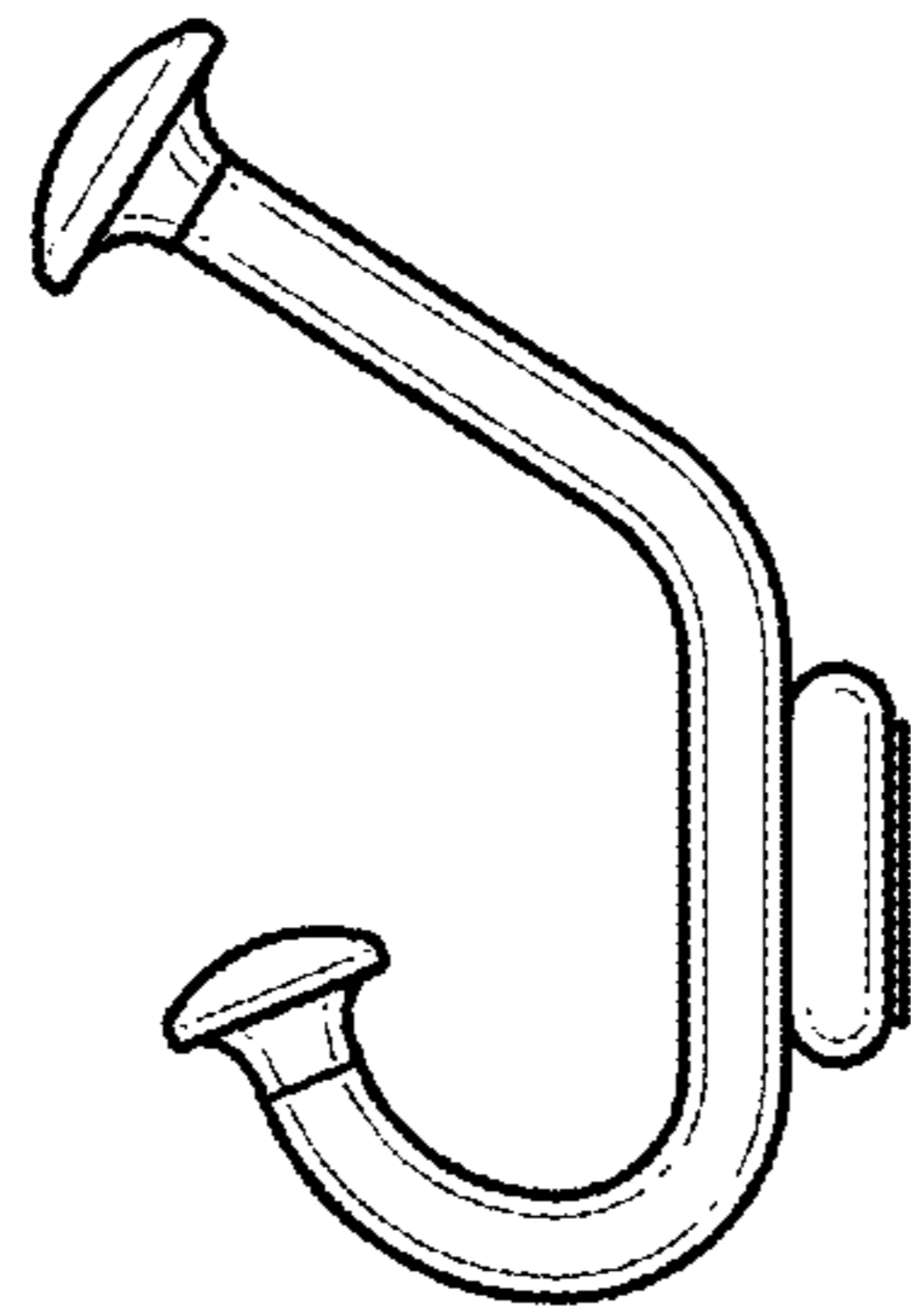


FIG. 19

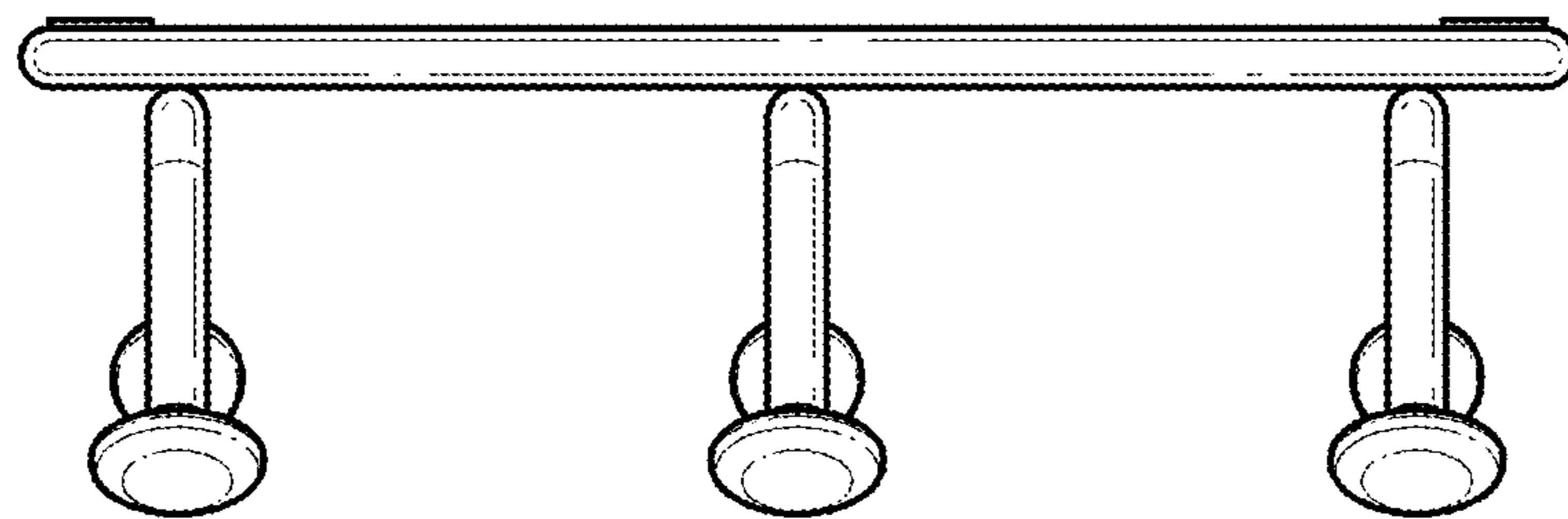


FIG. 20

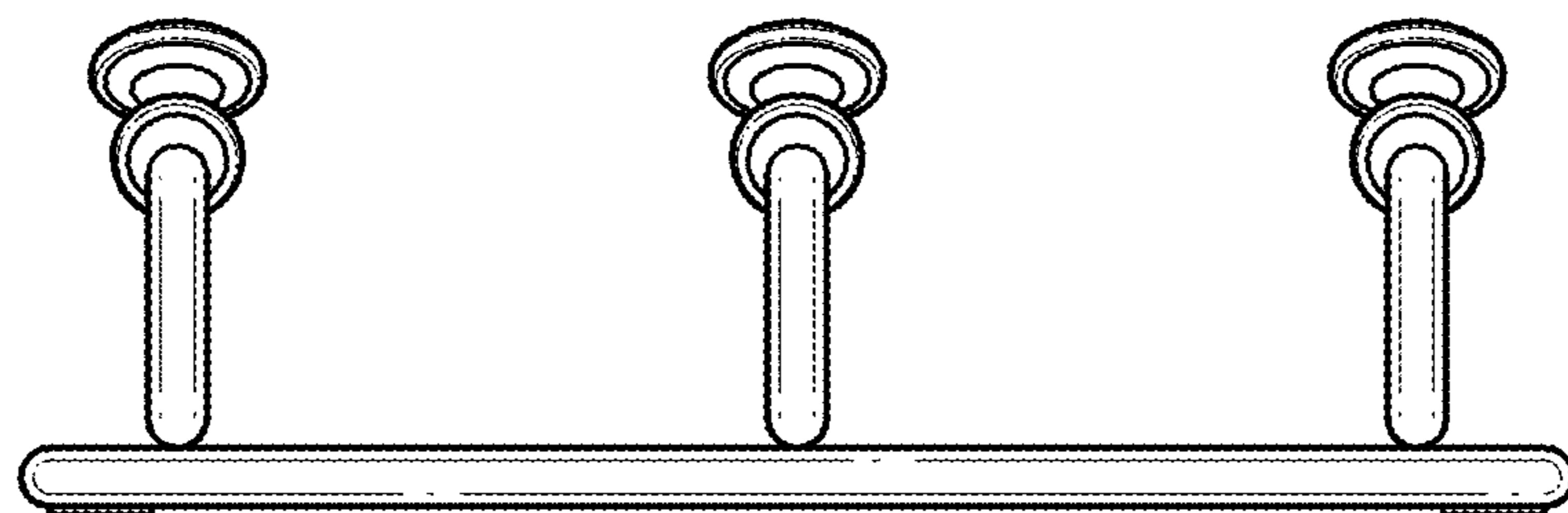


FIG. 21

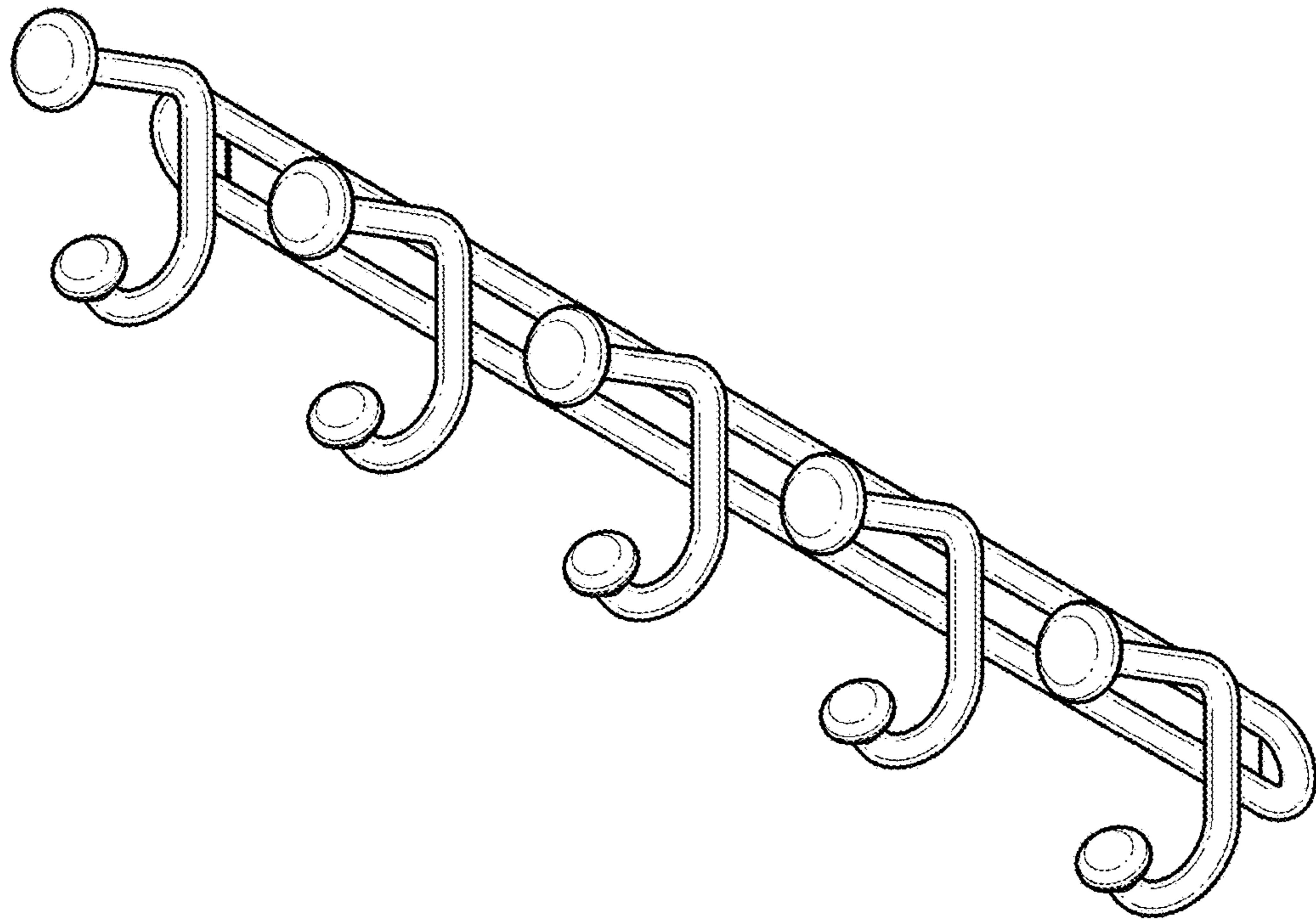


FIG. 22

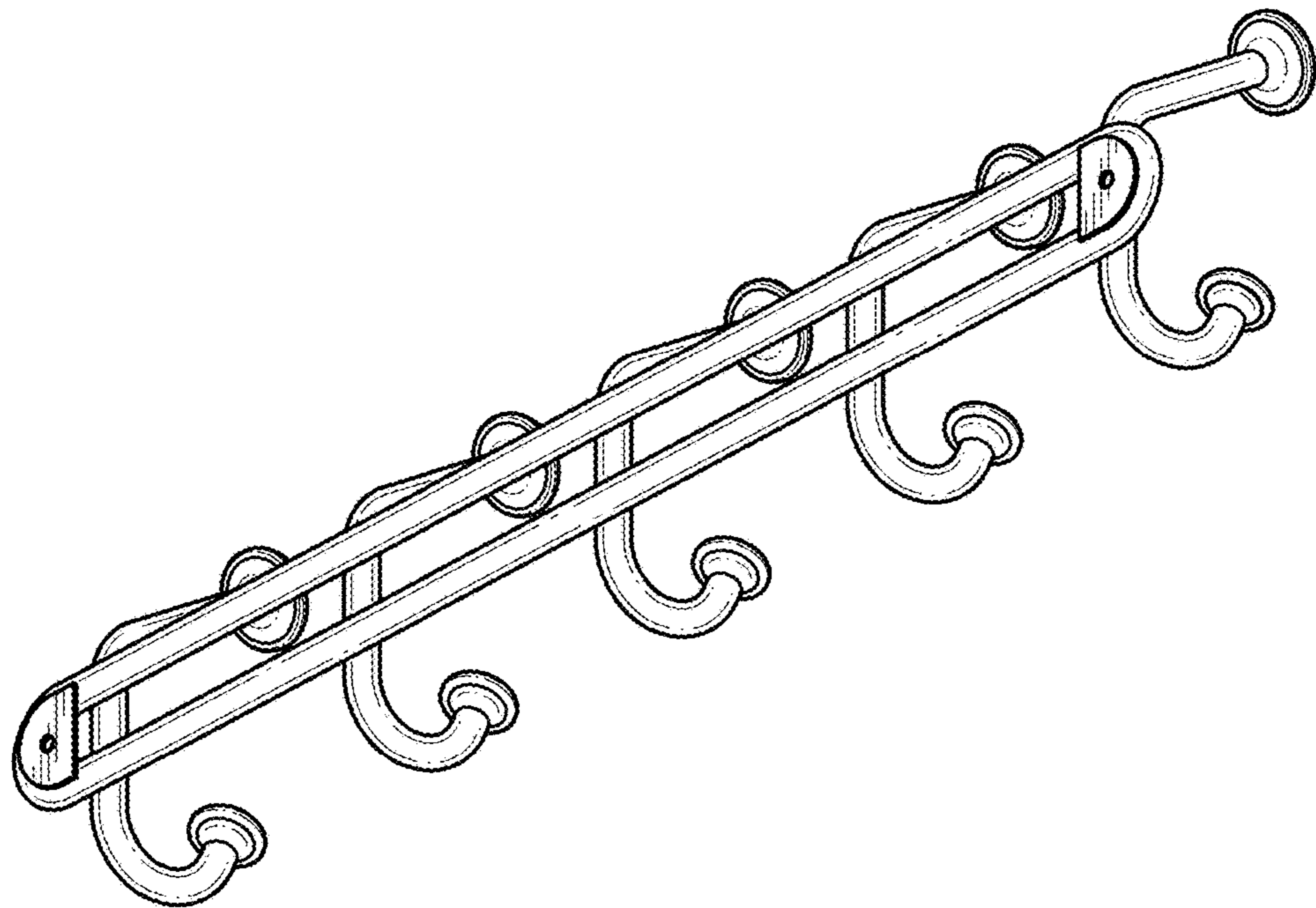


FIG. 23

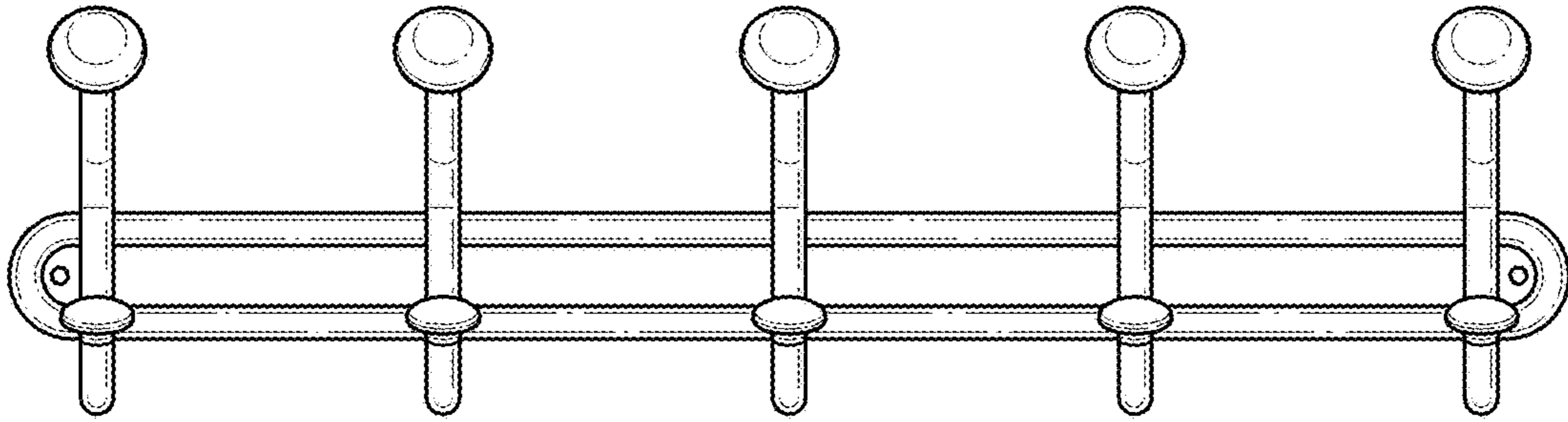


FIG. 24

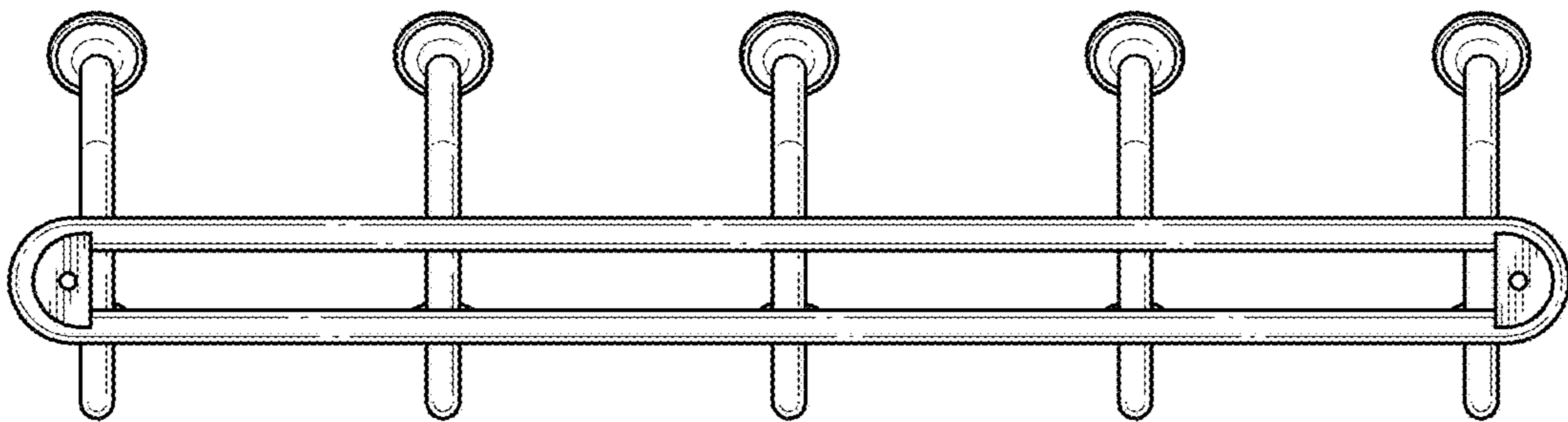


FIG. 25

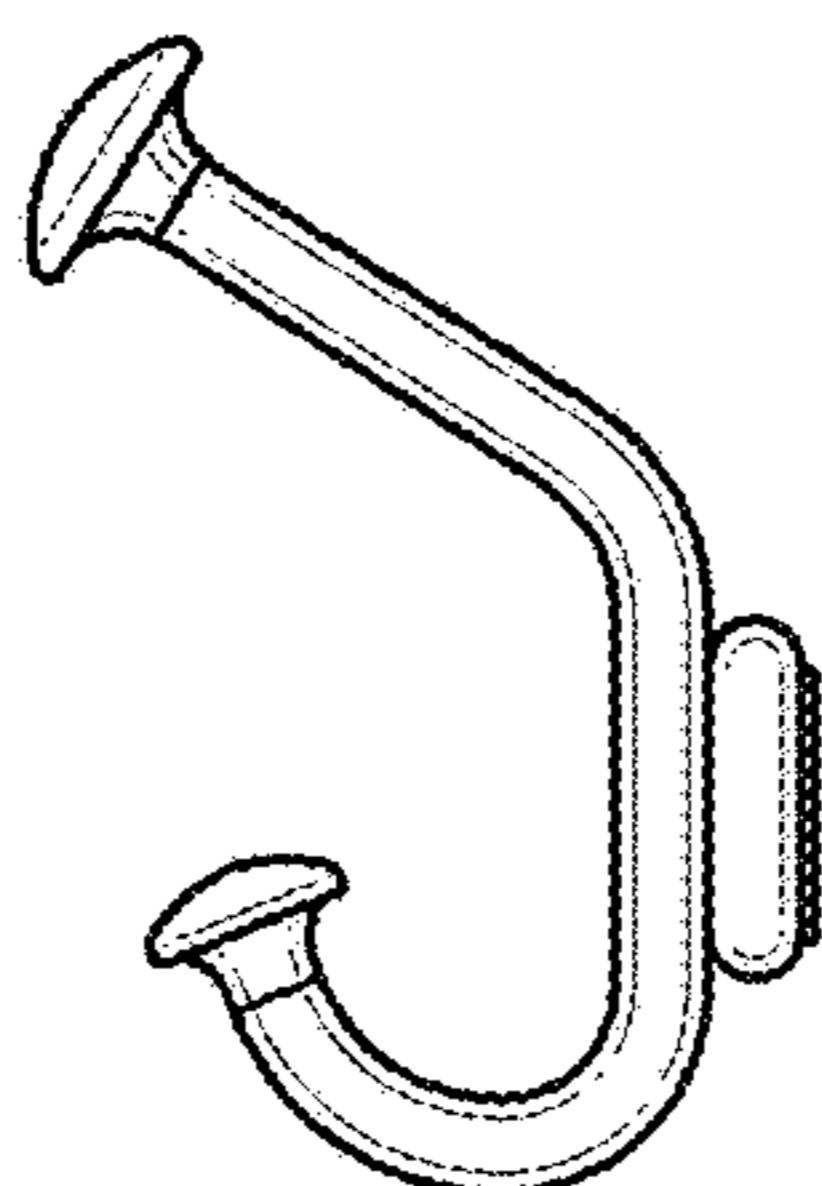


FIG. 26

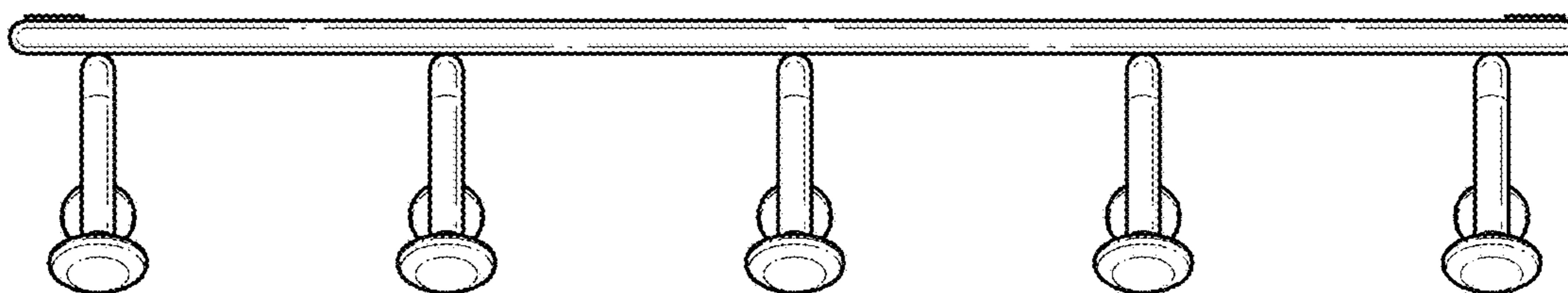


FIG. 27

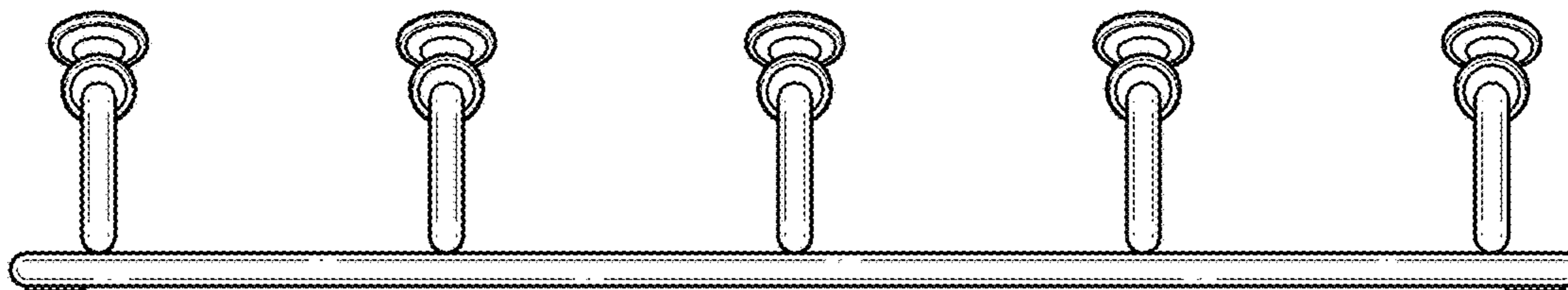


FIG. 28