



US00D787921S

(12) **United States Design Patent** (10) **Patent No.:** **US D787,921 S**  
**Vänttilä et al.** (45) **Date of Patent:** **\*\* May 30, 2017**

(54) **HOSE REEL WITH HOSE**  
(71) Applicant: **Fiskars Oyj Abp**, Helsinki (FI)  
(72) Inventors: **Olli-Pekka Vänttilä**, Helsinki (FI); **Petteri Masalin**, Helsinki (FI); **Teemu Sandelin**, Helsinki (FI); **Mikko Heine**, Billnas (FI); **Sami Lyytikäinen**, Helsinki (FI)  
(73) Assignee: **Fiskars Oyj Abp**, Helsinki (FI)  
(\*\*) Term: **15 Years**  
(21) Appl. No.: **29/543,174**  
(22) Filed: **Oct. 21, 2015**

(30) **Foreign Application Priority Data**  
Apr. 22, 2015 (EM) ..... 002686683  
(51) **LOC (10) Cl.** ..... **08-05**  
(52) **U.S. Cl.**  
USPC ..... **D8/359**  
(58) **Field of Classification Search**  
USPC ..... D8/374, 382, 354, 377, 358, 356, 359;  
D10/72, 61, 62; D12/19, 501, 204;  
D24/138; D3/318, 279, 271.12, 24;  
D15/67; D14/484; D34/27, 14, 19, 24,  
D34/25; D21/424, 425, 533, 534, 535,  
D21/536; D25/48.4; D22/140, 137;  
D13/107  
CPC ..... B65H 2701/33; B65H 75/4471; B65H  
75/4478; B65H 75/40; B65H 75/38;  
B65H 75/4402; B65H 2402/412; B65H  
75/4494; B65H 54/585; B65H 75/265;  
Y10T 137/6954; Y10T 137/6929; Y10T  
403/32975; B08B 2203/0276; A62C  
33/02

See application file for complete search history.

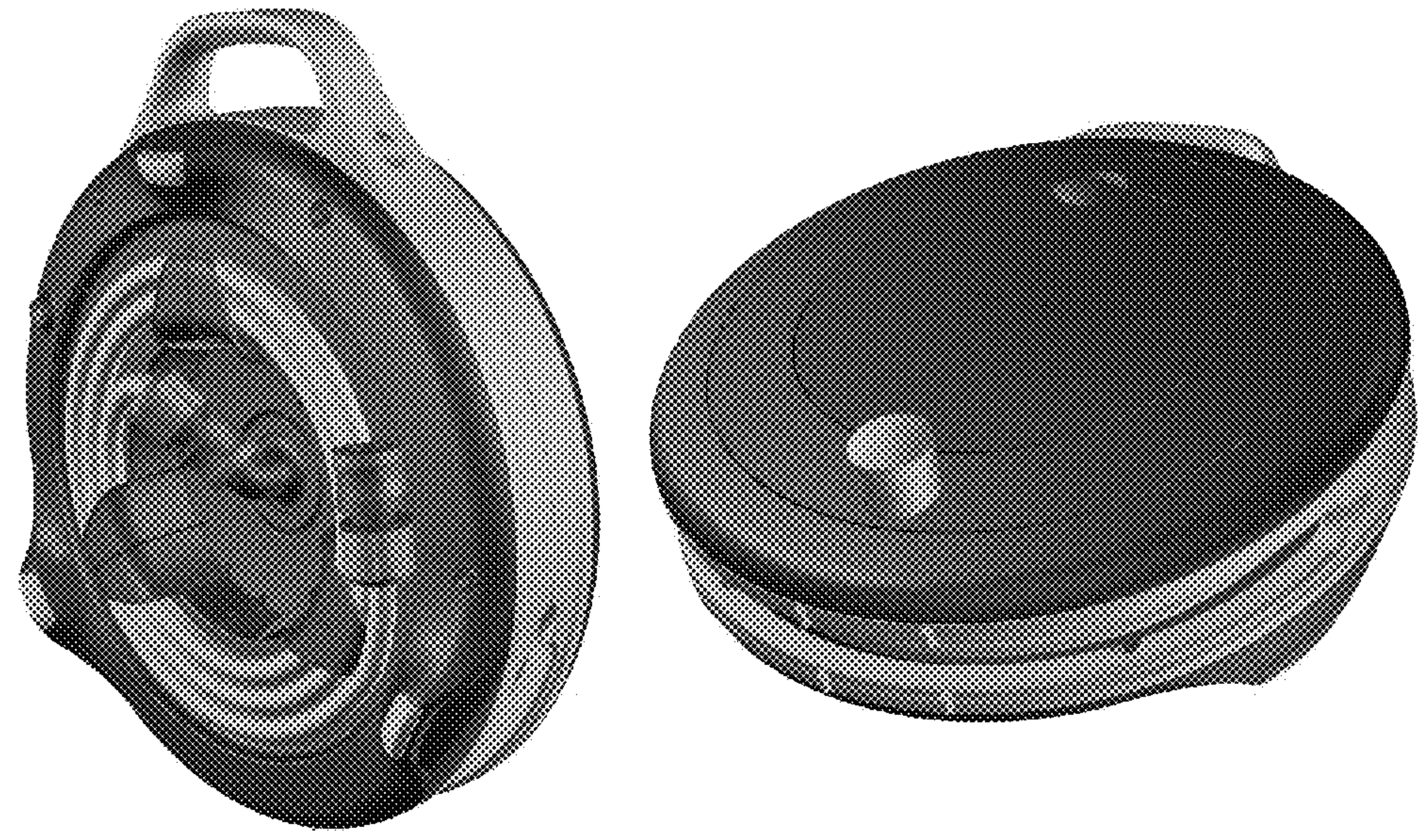
(56) **References Cited**  
U.S. PATENT DOCUMENTS  
5,782,412 A 7/1998 Plantz et al.  
D404,286 S 1/1999 Plantz et al.  
D479,979 S 9/2003 Kovacik et al.  
D504,606 S 5/2005 Kovacik et al.  
D511,294 S 11/2005 Kovacik et al.  
D563,773 S \* 3/2008 Pitcher ..... D8/358  
D575,842 S \* 8/2008 Jianwei ..... D22/137  
D576,248 S \* 9/2008 Jianwei ..... D22/137  
D589,329 S 3/2009 Plunk et al.  
D595,121 S \* 6/2009 Murphy ..... D8/358  
D637,067 S 5/2011 Bauck et al.  
D666,080 S 8/2012 Boehler  
D720,212 S 12/2014 Gonzalez et al.  
D737,669 S 9/2015 Anderson et al.  
D754,526 S 4/2016 Sha et al.

\* cited by examiner  
*Primary Examiner* — Robert M Spear  
*Assistant Examiner* — Eliza Bennett-Hattan  
(74) *Attorney, Agent, or Firm* — Foley & Lardner LLP

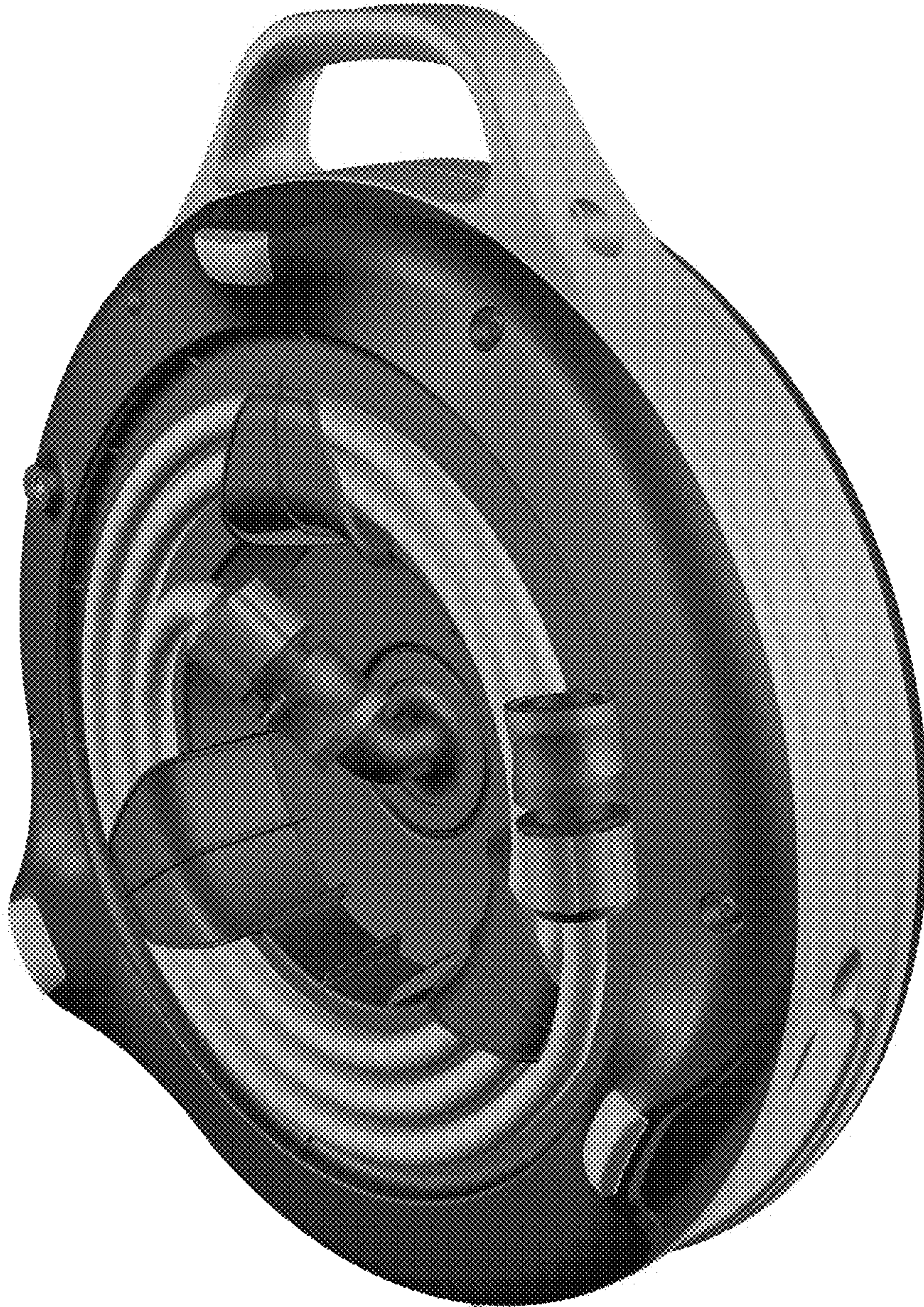
(57) **CLAIM**  
We claim the ornamental design for a hose reel with hose, as shown and described.

**DESCRIPTION**  
The patent or application file contains at least one drawing executed in color. Copies of this patent or patent application publication with color drawing(s) will be provided by the Office upon request and payment of the necessary fee.  
FIG. 1 is a bottom perspective view of the claimed design;  
FIG. 2 is a top perspective view thereof;  
FIG. 3 is a top view thereof;  
FIG. 4 is a front elevation view thereof;  
FIG. 5 is a rear elevation view thereof;  
FIG. 6 is a left side elevation view thereof; and,  
FIG. 7 is a right side elevation view thereof.

**1 Claim, 5 Drawing Sheets**  
**(5 of 5 Drawing Sheet(s) Filed in Color)**







**FIG. 1**





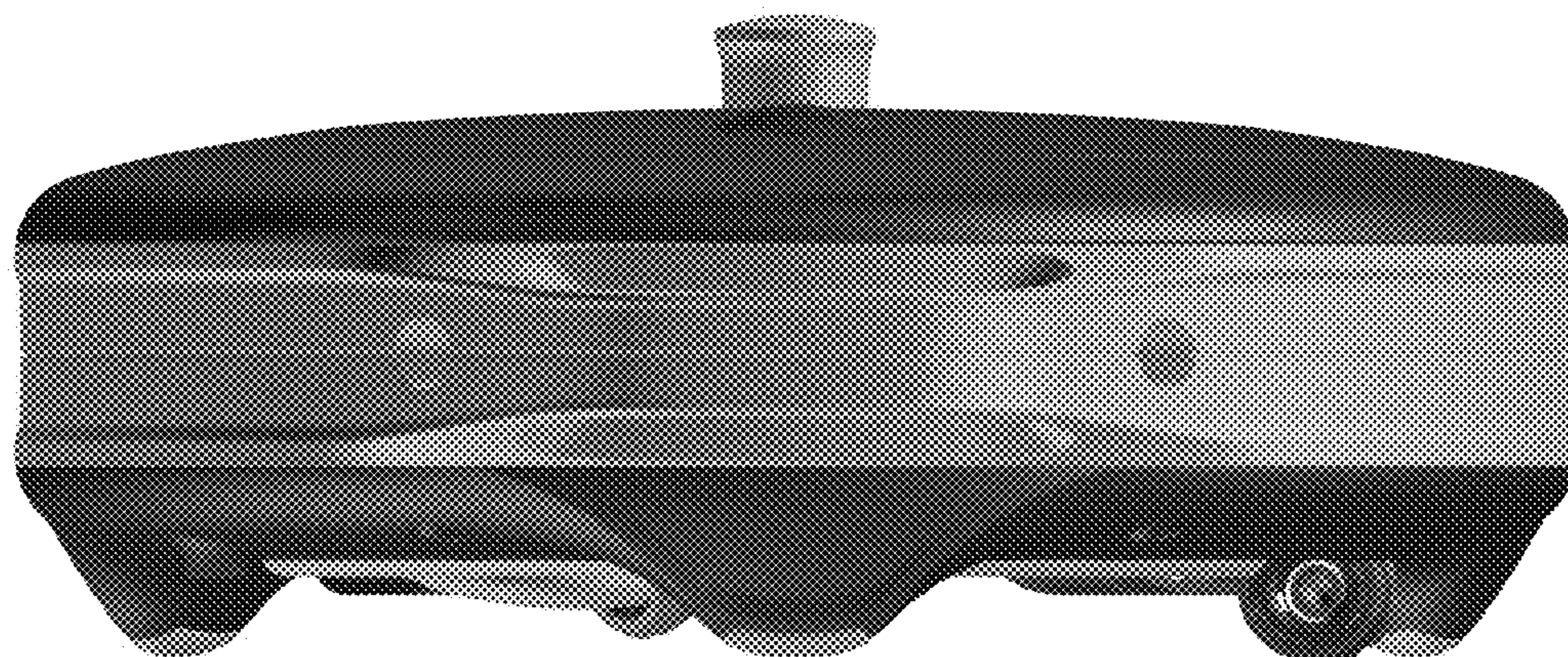
**FIG. 2**



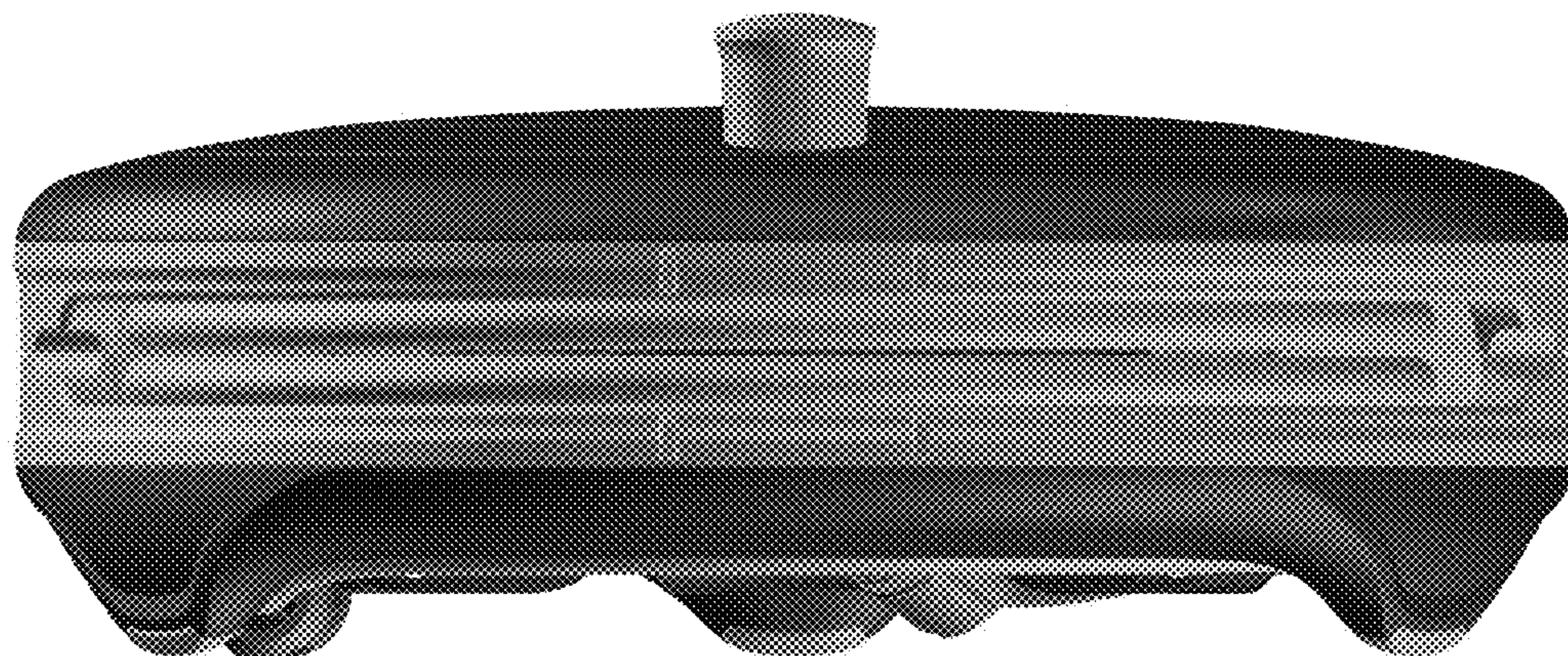


**FIG. 3**





**FIG. 4**



**FIG. 5**



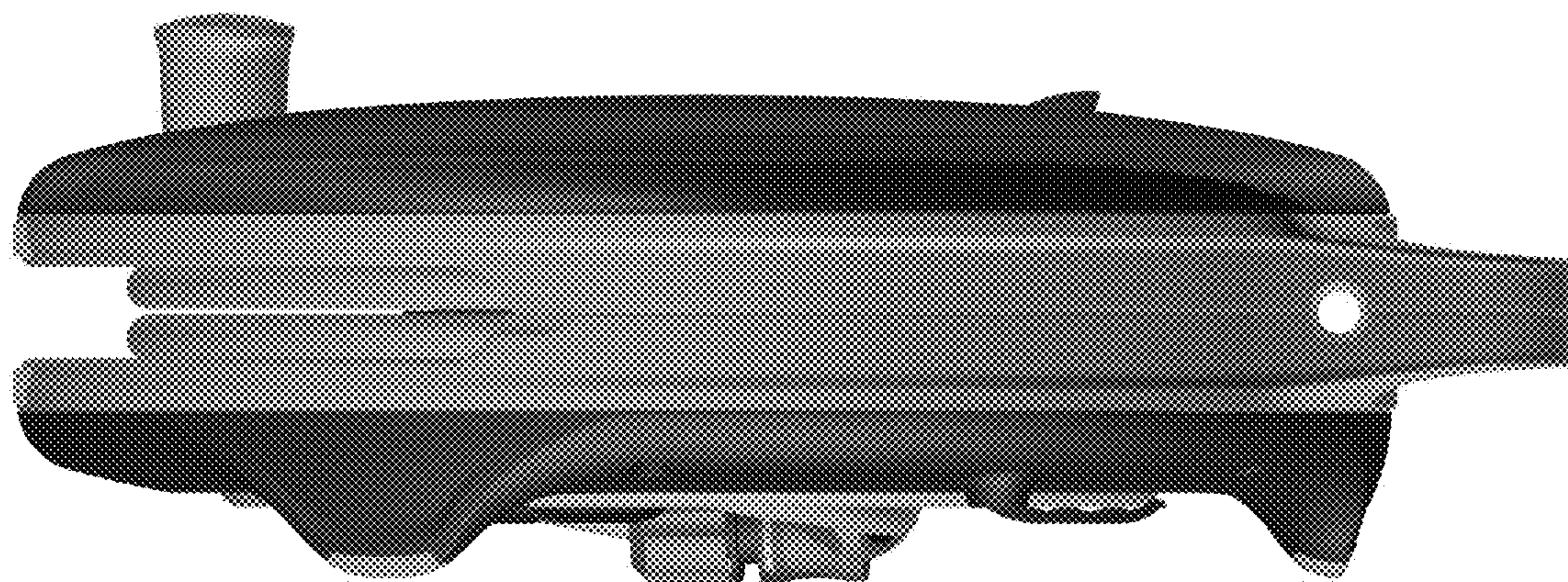


FIG. 6

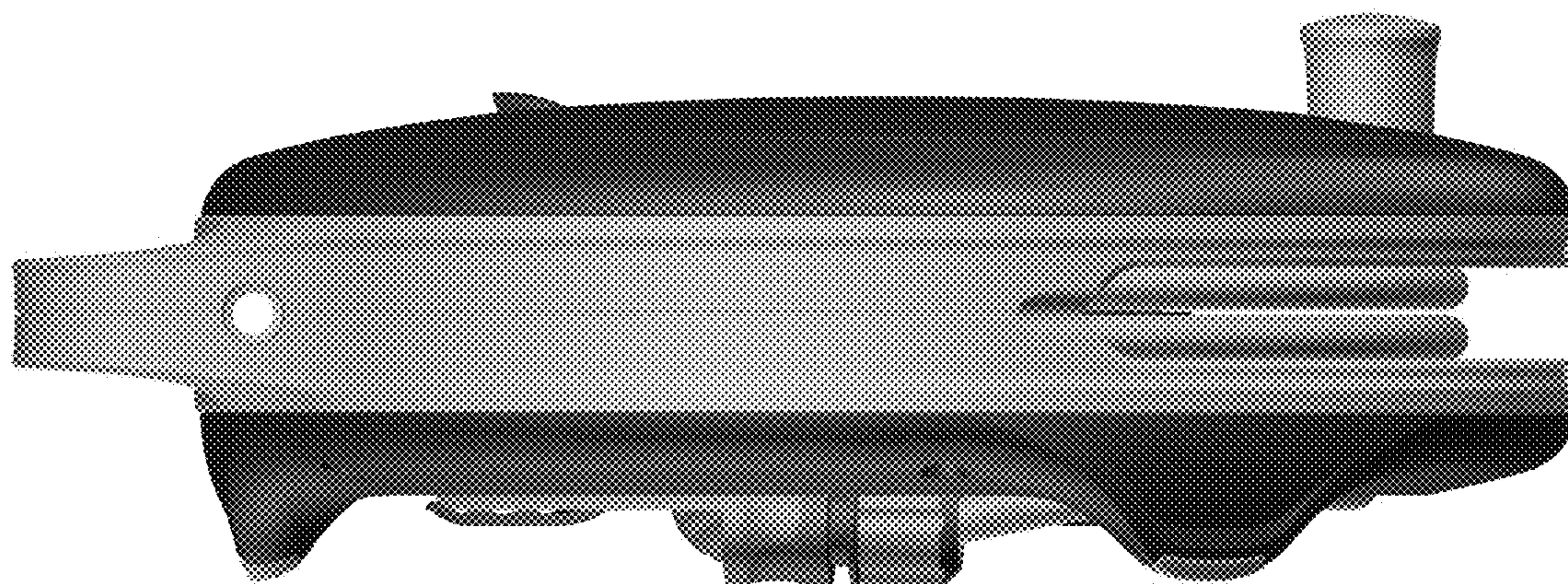


FIG. 7