



US00D787918S

(12) **United States Design Patent** (10) **Patent No.:** **US D787,918 S**
Rago (45) **Date of Patent:** **** May 30, 2017**

(54) **RELAY HOLDER**

OTHER PUBLICATIONS

(71) Applicant: **Mario Rago**, Mountain Home, TX (US)

<http://www.autoanything.com/lights/rigid-industries-license-plate-light-mount-bracket>; AutoAnthing.com; 2000-2016; US.

(72) Inventor: **Mario Rago**, Mountain Home, TX (US)

<http://www.dhgate.com/product/black-motorcycle-lens-led-lights-integrated/387925768.html>; DHGate.com; 2004-2016; US.

(**) Term: **15 Years**

<http://www.lowbrowcustoms.com/model-a-tail-light-mounting-bracket-horizontal-license-plate.html>; LowBrowCustoms.com; 2016; US.

(21) Appl. No.: **29/580,728**

<http://www.lowbrowoustoms.com/model-b-c-d-e-tail-light-fender-mount-bracket.html>; LowBrowCustoms.com; 2016; US.

(22) Filed: **Oct. 12, 2016**

<http://www.lowbrowcustoms.com/solution-bracket-horizontal-black.html>; LowBrowCustoms; 2016; US.

(51) **LOC (10) Cl.** **08-05**

(52) **U.S. Cl.**

USPC **D8/354**

* cited by examiner

(58) **Field of Classification Search**

USPC D26/28-36, 38, 43-44, 60; 362/459, 362/477-478, 85, 487, 427-428, 371; D8/354, 381

Primary Examiner — Lakiya Rogers

Assistant Examiner — Harold E Blackwell, II

(74) *Attorney, Agent, or Firm* — Gunn, Lee & Cave, P.C.

CPC H01H 45/04

See application file for complete search history.

(57) **CLAIM**

The ornamental design for a relay holder, as shown and described.

(56) **References Cited**

U.S. PATENT DOCUMENTS

DESCRIPTION

4,090,160 A * 5/1978 Le Roux H01H 50/24
335/179

5,249,108 A 9/1993 Gary
5,449,860 A * 9/1995 Buckshaw H02G 3/14
174/67

6,077,270 A * 6/2000 Katz A61B 17/154
606/102

7,705,700 B2 * 4/2010 Parker H01H 1/48
335/185

D650,264 S * 12/2011 Smalley D8/381

D676,310 S * 2/2013 Lowrance D8/356

8,653,922 B2 * 2/2014 Flaceau H01H 45/04
335/202

D760,427 S * 6/2016 Hancock, Jr. D26/139

FIG. 1 is a rear elevational view of the relay holder;

FIG. 2 is a front elevational view thereof;

FIG. 3 is a left side elevational view thereof;

FIG. 4 is a top plan view thereof;

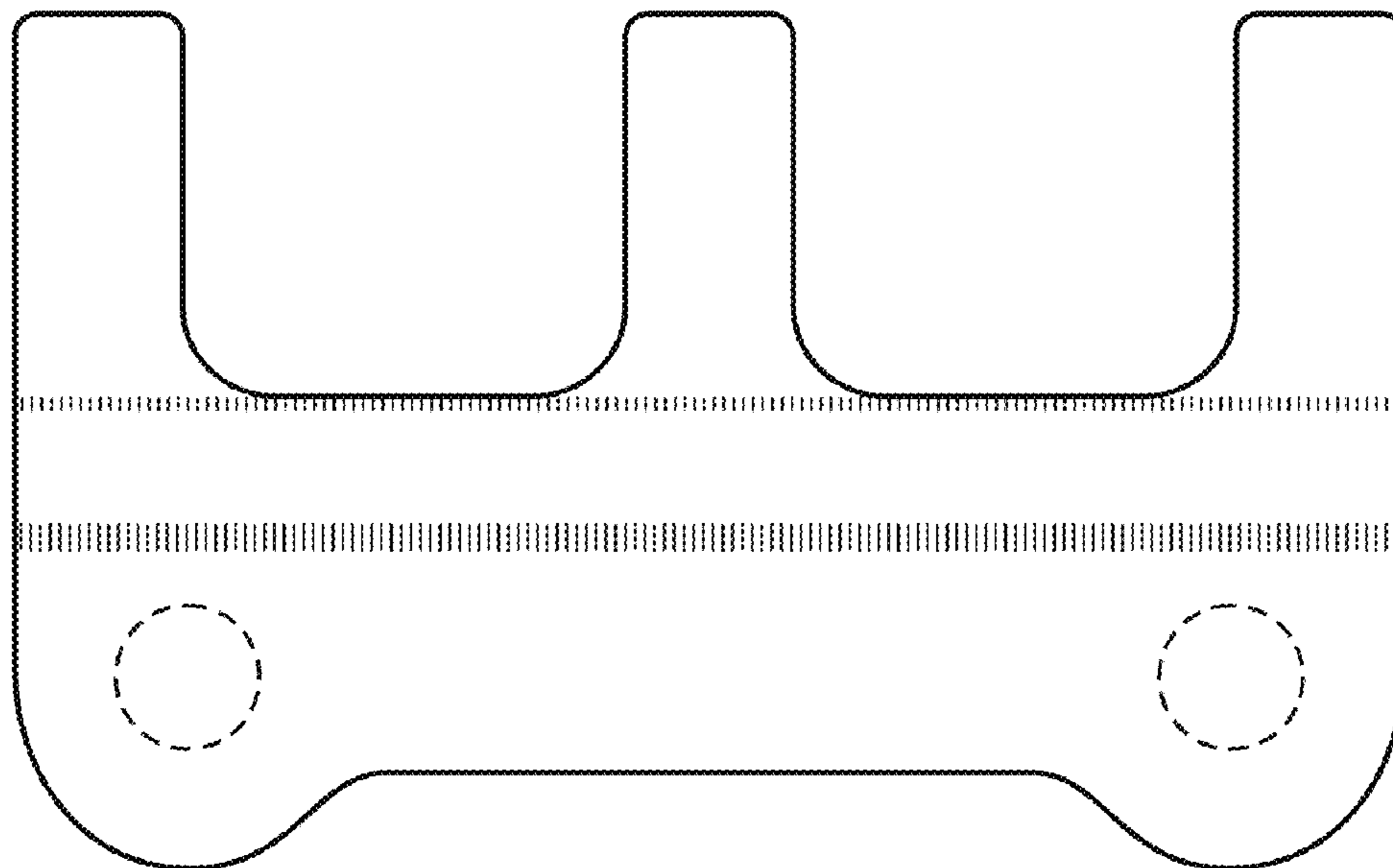
FIG. 5 is a right side elevational view thereof;

FIG. 6 is a bottom plan view thereof; and,

FIG. 7 is a front perspective view of the relay holder.

The broken lines are included for the purpose of showing portions of the relay holder that form no part of the claimed design.

1 Claim, 3 Drawing Sheets



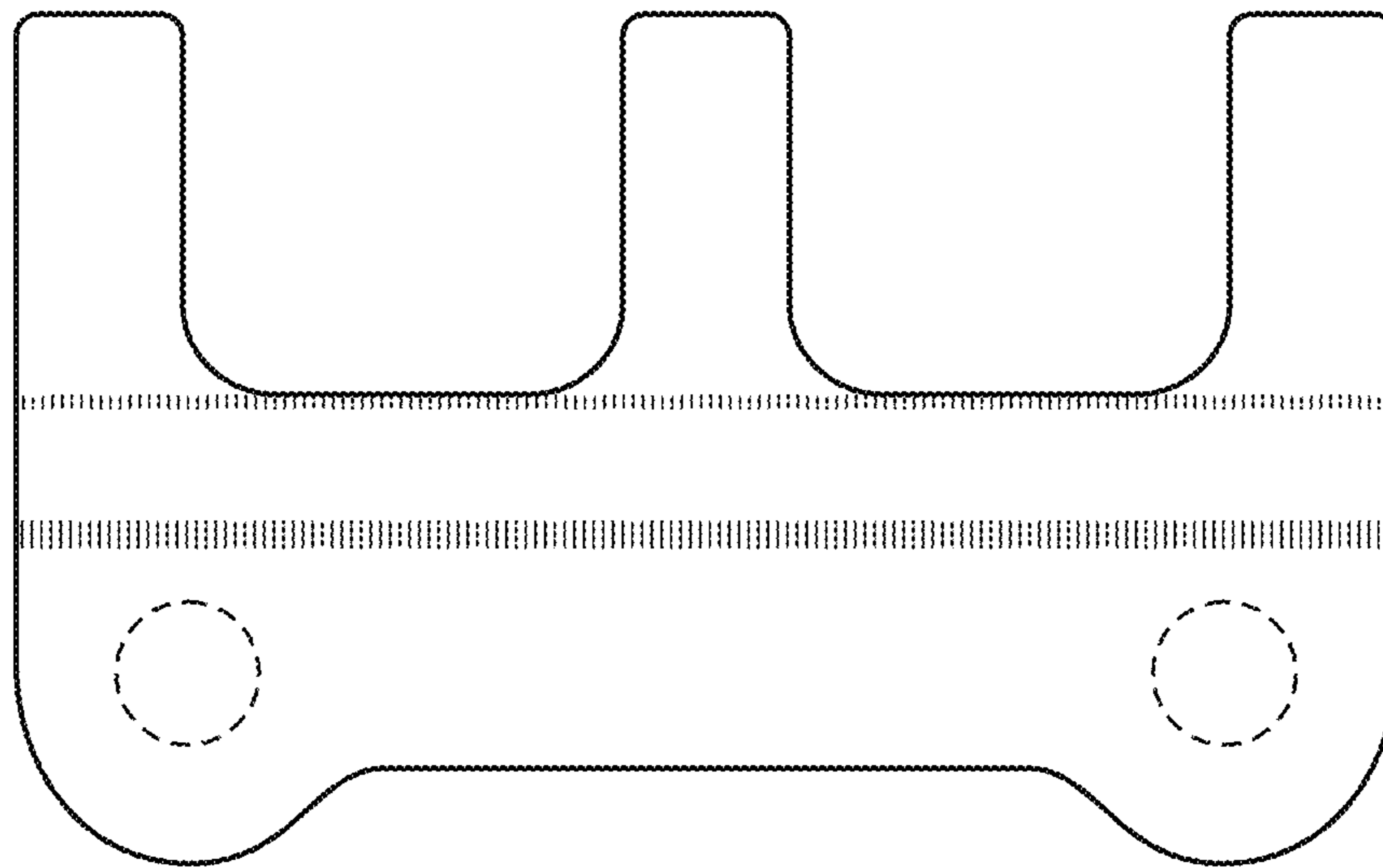


FIG. 1

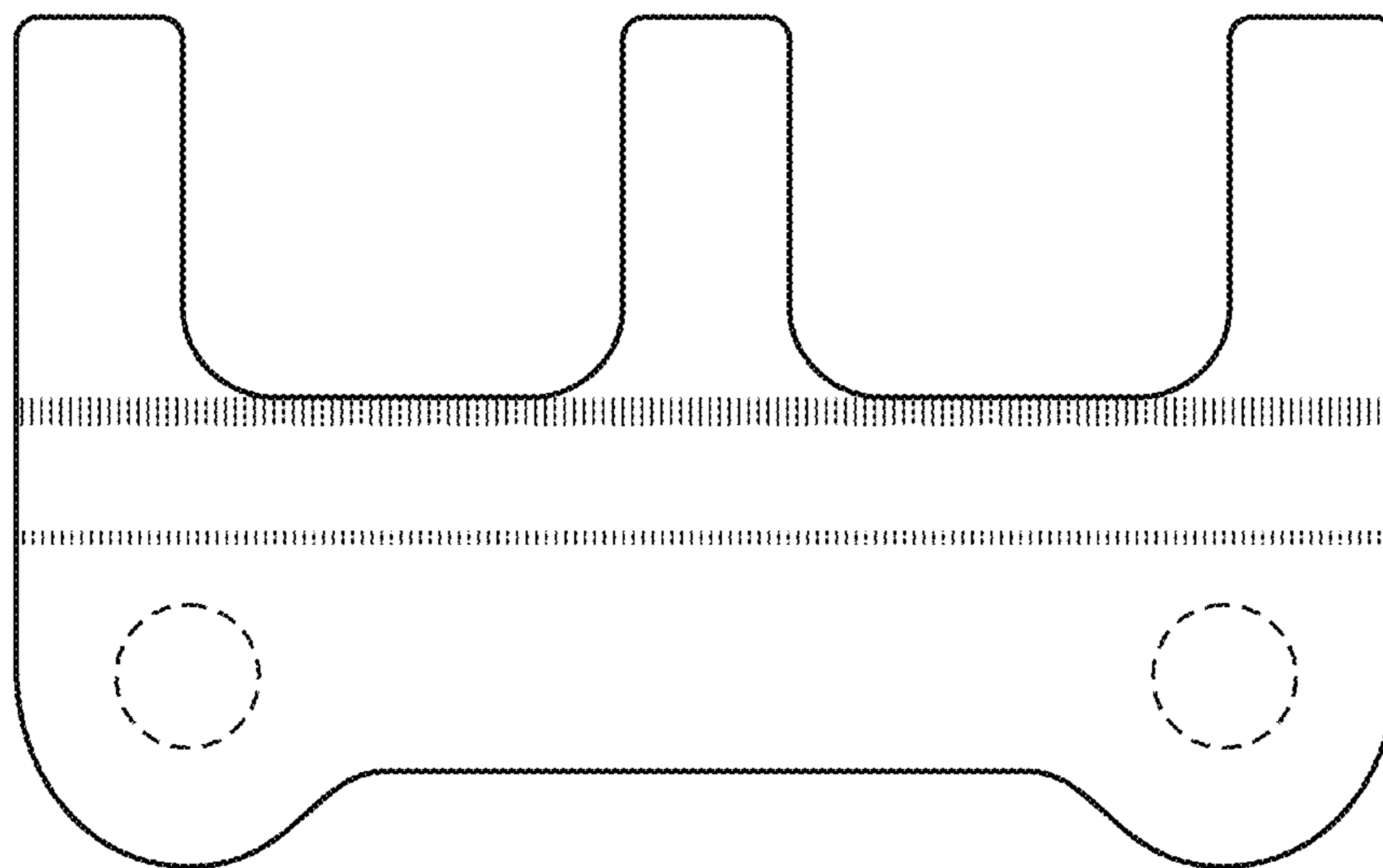


FIG. 2



FIG. 3



FIG. 4



FIG. 5



FIG. 6

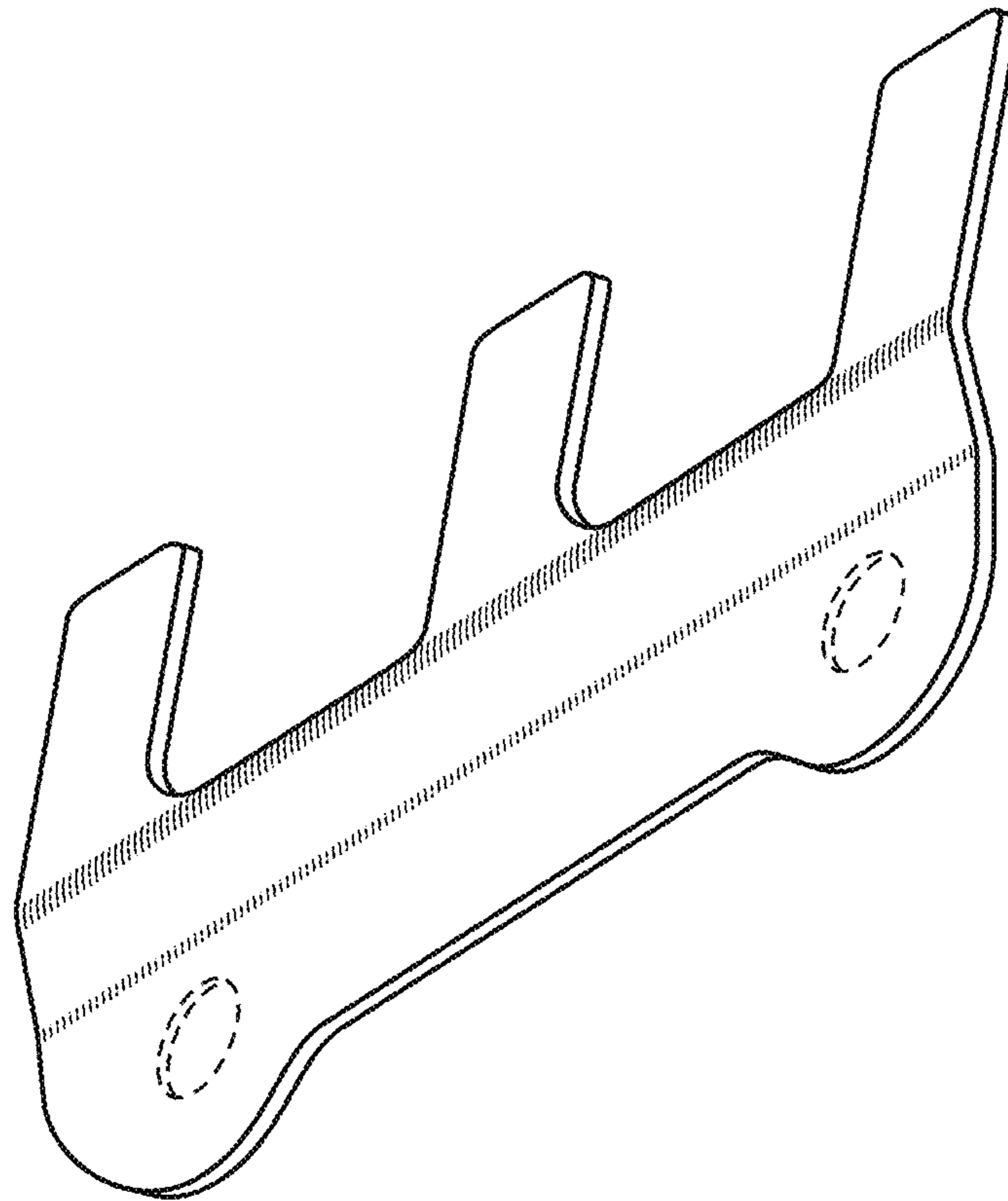


FIG. 7